

1

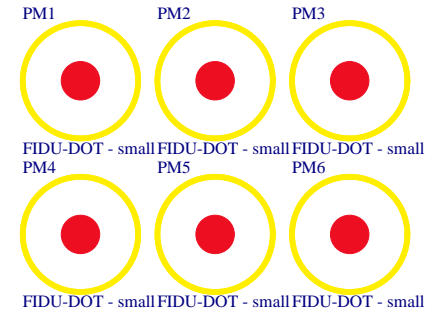
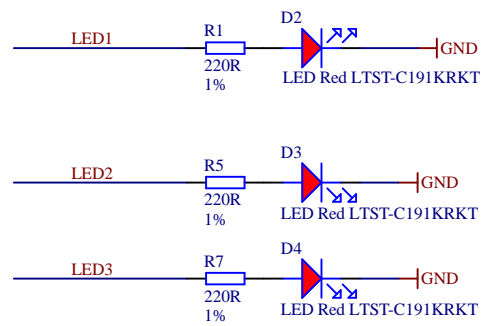
2

3

4

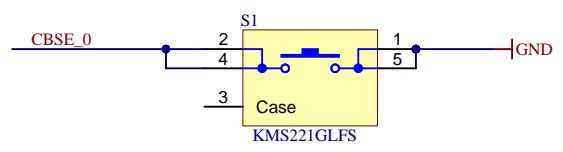
A

A



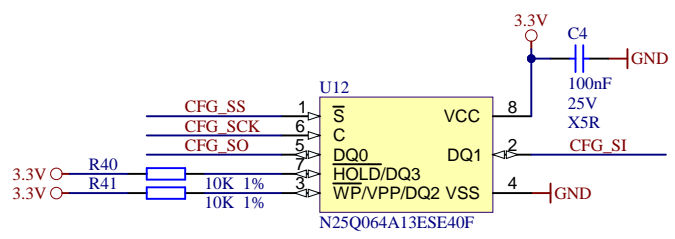
B

B



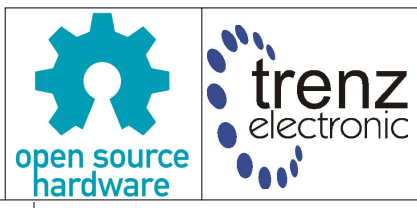
C

C



D

D



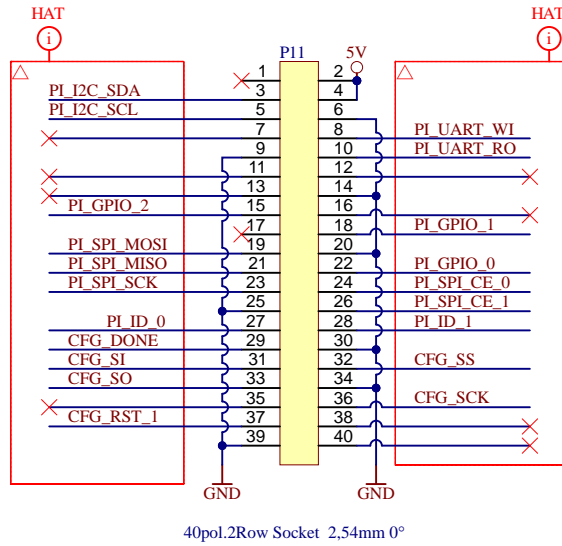
Title: TE0876 - Connectors		
A4	Number: TE0876 TE0876-A	Rev. 01
Date: 2017-03-10	Copyright: Trenz Electronic GmbH	Page1 of 6
Filename: TE0876.SchDoc		

1

2

3

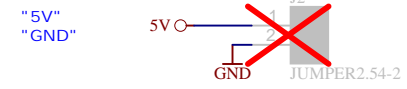
4





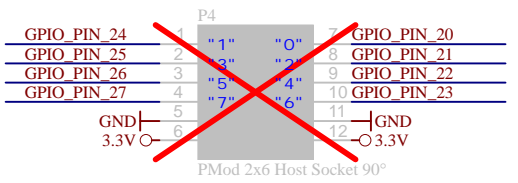
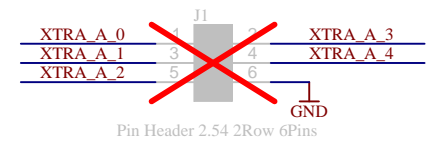
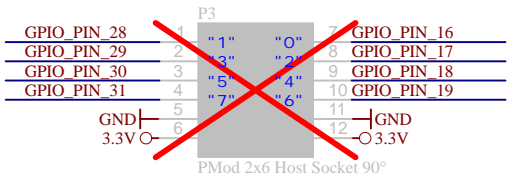
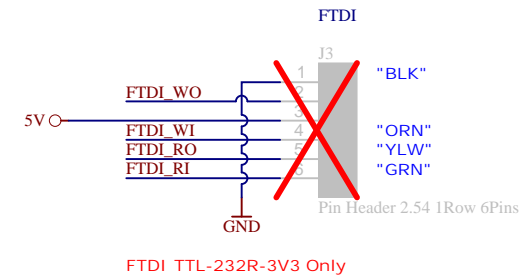
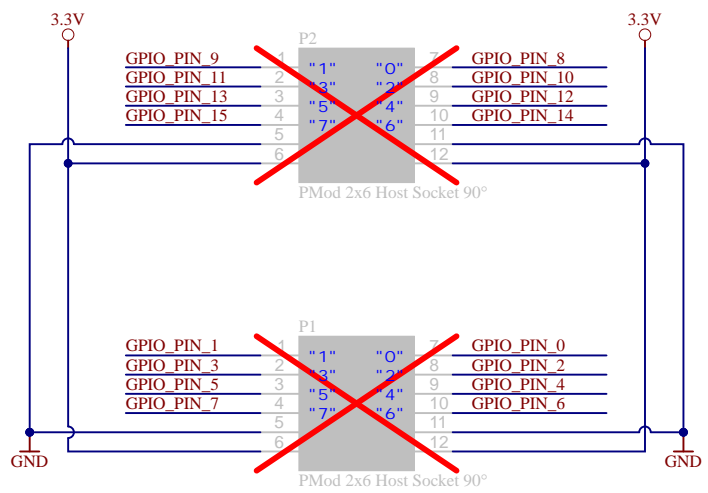
Raspberry Pi Standard Pinout



+3V3	1	2	+5V
GPIO2 / SDA1	3	4	+5V
GPIO3 / SDCL1	5	6	GND
GPIO4	7	8	TXD0 / GPIO 14
GND	9	10	RXD0 / GPIO 15
GPIO17	11	12	GPIO18
GPIO27	13	14	GND
GPIO22	15	16	GPIO23
+3V3	17	18	GPIO24
GPIO10 / MOSI	19	20	GND
GPIO9 / MISO	21	22	GPIO25
GPIO11 / SCLK	23	24	CE0# / GPIO8
GND	25	26	CE1# / GPIO7
GPIO0 / ID_SD	27	28	ID_SC / GPIO1
GPIO5	29	30	GND
GPIO6	31	32	GPIO12
GPIO13	33	34	GND
GPIO19 / MISO	35	36	CE2# / GPIO16
GPIO26	37	38	MOSI / GPIO20
GND	39	40	SCLK / GPIO21

Cannot open file
 C:\Users\v.yunitzki\Downloads\RPL.jpg



 	Title: TE0876 - Connectors		
	A4	Number: TE0876 TE0876-A	Rev. 01
	Date: 2017-03-10	Copyright: Trenz Electronic GmbH	Page 2 of 6
	Filename: Connectors.SchDoc		



 	Title: TE0876 - PMOD		
	A4	Number: TE0876 TE0876-A	Rev. 01
	Date: 2017-03-10	Copyright: Trenz Electronic GmbH	Page 3 of 6
	Filename: PMOD.SchDoc		

1

UIA

BANK 0

IOT_168	110	LED1
IOT_169	112	PI_UART_RO
IOT_170	113	PI_UART_WI
IOT_171	114	PI_I2C_SCL
IOT_172	115	PI_I2C_SDA
IOT_173	116	XTRA_A_2
IOT_174	117	XTRA_A_3
IOT_177	118	XTRA_A_4
IOT_178	119	FTDI_WO
IOT_179	120	XTRA_A_0
IOT_181	121	XTRA_A_1
IOT_190	122	FTDI_WI
IOT_191	124	FTDI_RO
IOT_192	125	FTDI_RI
IOT_197_GBIN1	128	XTRA_CLK1
IOT_198_GBIN0	129	XTRA_CLK2
IOT_206	130	GPIO_PIN_7
IOT_212	134	GPIO_PIN_6
IOT_213	135	GPIO_PIN_5
IOT_214	136	GPIO_PIN_4
IOT_215	137	GPIO_PIN_3
IOT_216	138	GPIO_PIN_2
IOT_217	139	GPIO_PIN_1
IOT_219	141	GPIO_PIN_0
IOT_220	142	GPIO_PIN_23
IOT_221	143	GPIO_PIN_22
IOT_222	144	GPIO_PIN_21

ICE40HX4K-TQ144

2

UIB

BANK 1

IOR_109	73	PI_ID_0
IOR_110	74	PI_ID_1
IOR_111	75	SRAM_UB1
IOR_112	76	SRAM_OE1
IOR_114	78	PI_SPI_CE_1
IOR_115	79	PI_SPI_SCK
IOR_116	80	SRAM_D15
IOR_117	81	SRAM_LB1
IOR_118	82	SRAM_D13
IOR_119	83	SRAM_D14
IOR_120	84	SRAM_D12
IOR_128	85	PI_SPI_CE_0
IOR_136	87	PI_SPI_MISO
IOR_137	88	PI_GPIO_0
IOR_138	90	PI_SPI_MOSI
IOR_139	91	SRAM_D11
IOR_140_GBIN3	93	LED2
IOR_141_GBIN2	94	LED3
IOR_144	95	SRAM_D10
IOR_146	96	SRAM_D9
IOR_147	97	SRAM_D8
IOR_148	98	SRAM_A18
IOR_152	99	PI_GPIO_1
IOR_160	101	PI_GPIO_2
IOR_161	102	SRAM_A14
IOR_164	104	SRAM_A13
IOR_165	105	SRAM_A12
IOR_166	106	SRAM_A11
IOR_167	107	SRAM_A10

ICE40HX4K-TQ144

3

UIC

BANK 2

IOB_56	37	GPIO_PIN_19
IOB_57	38	GPIO_PIN_18
IOB_61	39	GPIO_PIN_17
IOB_63	41	GPIO_PIN_16
IOB_64	42	GPIO_PIN_14
IOB_71	43	GPIO_PIN_15
IOB_72	44	GPIO_PIN_12
IOB_73	45	GPIO_PIN_13
IOB_79	47	GPIO_PIN_10
IOB_80	48	GPIO_PIN_11
IOB_81_GBIN5	49	ICE_CLK
IOB_82_GBIN4	52	GPIO_PIN_31
IOB_91	55	GPIO_PIN_8
IOB_94	56	GPIO_PIN_9
IOB_95	60	SRAM_A16
IOB_96	61	SRAM_A17
IOB_102	62	SRAM_A15
IOB_103_CBSEL0	63	CBSE_0
IOB_104_CBSEL1	64	CBSE_1
IOB_105_SDO	67	CFG_SO
IOB_106_SDI	68	CFG_SI
IOB_107_SCK	70	CFG_SCK
IOB_108_SS_B	71	CFG_SS
CDONE	65	CFG_DONE
CRESET_B	66	CFG_RST_1

ICE40HX4K-TQ144

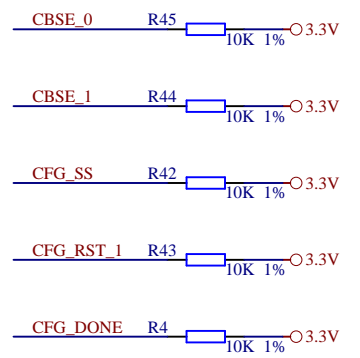
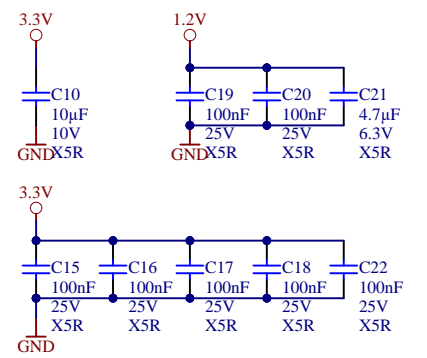
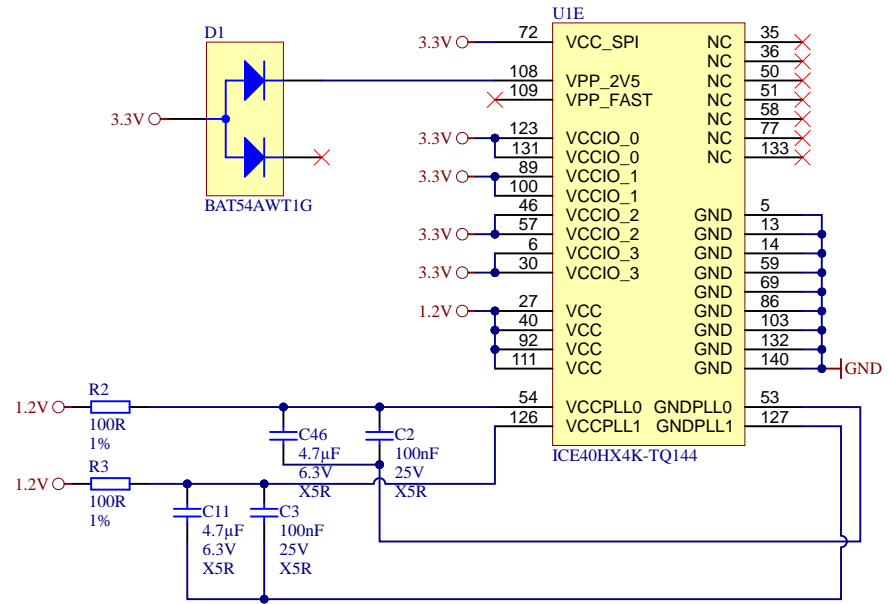
4


UID


BANK 3

IOL_2B	2	SRAM_A9
IOL_2A	4	GPIO_PIN_20
IOL_3B	4	SRAM_A7
IOL_3A	3	SRAM_A8
IOL_4B	8	GPIO_PIN_26
IOL_4A	7	GPIO_PIN_27
IOL_5B	10	SRAM_A5
IOL_5A	9	SRAM_A6
IOL_8B	12	SRAM_D7
IOL_8A	11	SRAM_WE1
IOL_10B	16	SRAM_D5
IOL_10A	15	SRAM_D6
IOL_12B	18	SRAM_D3
IOL_12A	17	SRAM_D4
IOL_13B_GBIN7	20	GPIO_PIN_25
IOL_13A	19	SRAM_D2
IOL_14B	22	SRAM_D1
IOL_14A_GBIN6	21	GPIO_PIN_24
IOL_17B	24	SRAM_CE1
IOL_17A	23	SRAM_D0
IOL_18B	26	GPIO_PIN_28
IOL_18A	25	SRAM_A4
IOL_23B	29	GPIO_PIN_29
IOL_23A	28	GPIO_PIN_30
IOL_24B	32	SRAM_A2
IOL_24A	31	SRAM_A3
IOL_25B	34	SRAM_A0
IOL_25A	33	SRAM_A1

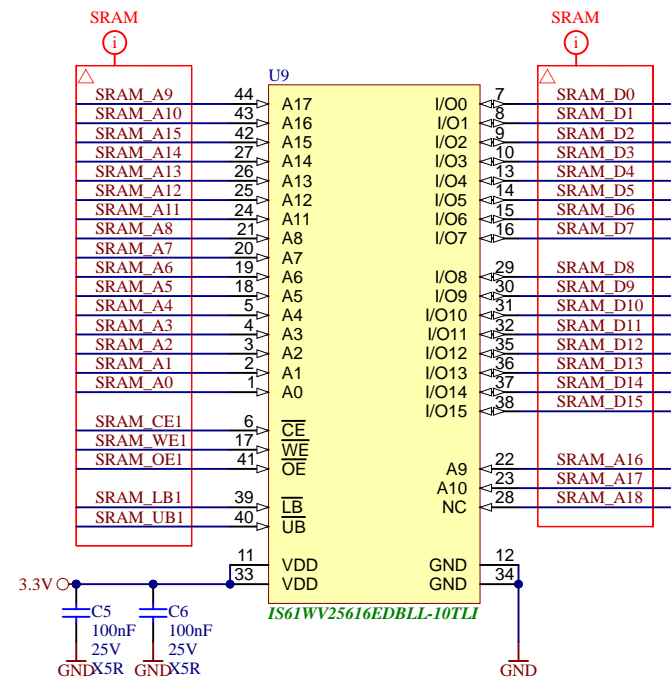
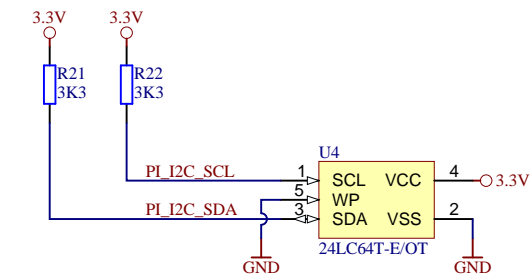
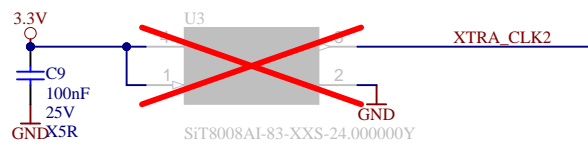
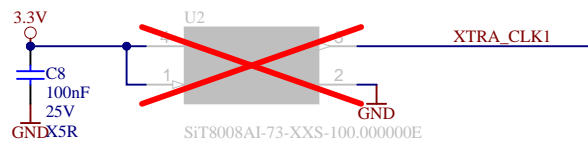
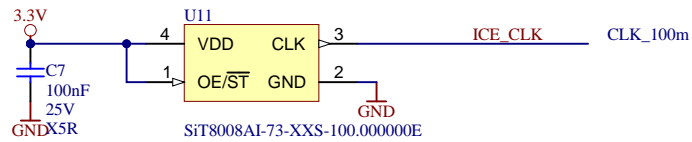
ICE40HX4K-TQ144





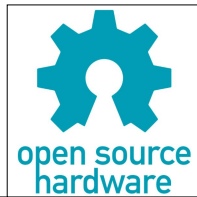
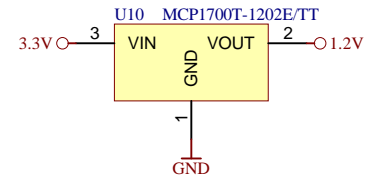
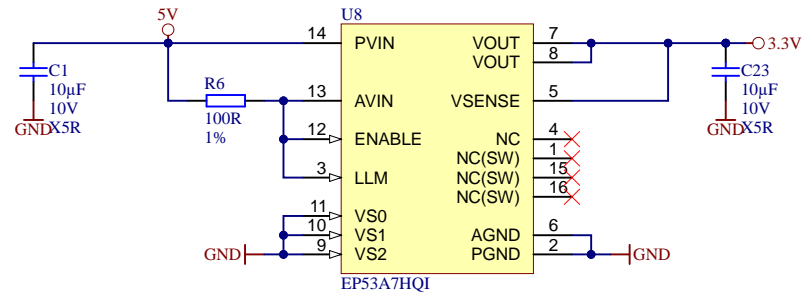


Title: TE0876 - FPGA		
A4	Number: TE0876 TE0876-A	Rev. 01
Date: 2017-03-10	Copyright: Trenz Electronic GmbH	Page4 of 6
Filename: FPGA.SchDoc		



Title: TE0876 - Interface

A4	Number: TE0876 TE0876-A	Rev. 01
Date: 2017-03-10	Copyright: Trenz Electronic GmbH	Page5 of 6
Filename: Interface.SchDoc		



Title: TE0876 - Power		
A4	Number: TE0876 TE0876-A	Rev. 01
Date: 2017-03-10	Copyright: Trenz Electronic GmbH	Page 6 of 6
Filename: PWR_FPGA.SchDoc		