

1

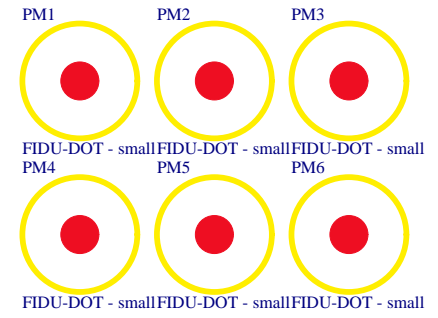
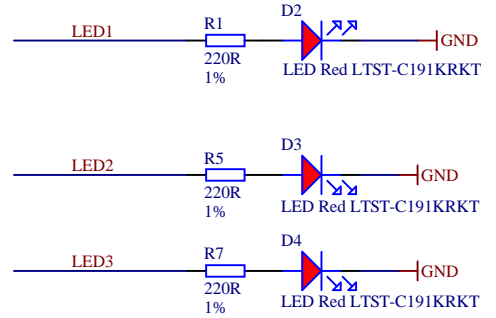
2

3

4

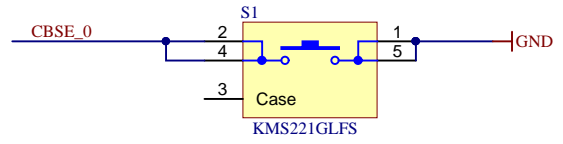
A

A



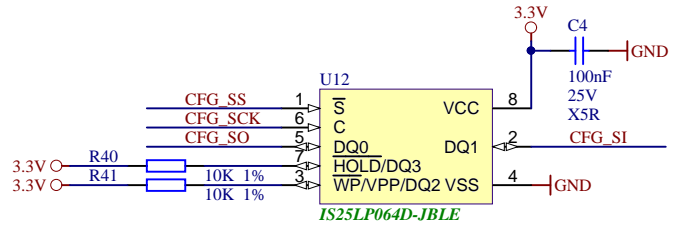
B

B



C

C



Serial1  
 Serial  
 Serialnumber 6,3 x 6.3mm

D

D



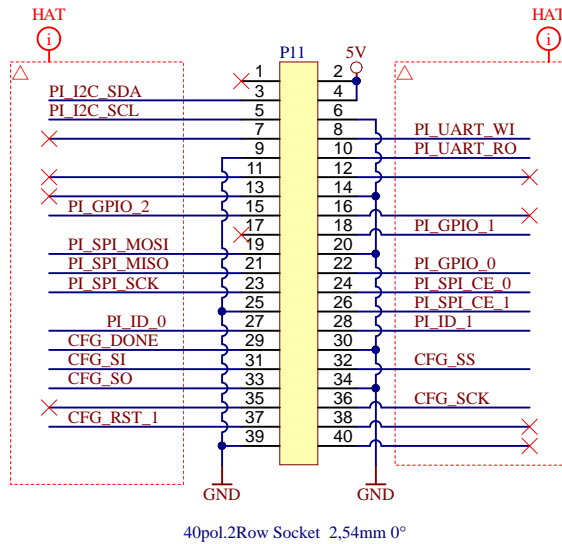
Title: TE0876 - Connectors		
A4	Number: TE0876 A	Rev. 02
Date: 2017-07-19	Copyright: Trenz Electronic GmbH	Page1 of 7
Filename: TE0876.SchDoc		

1

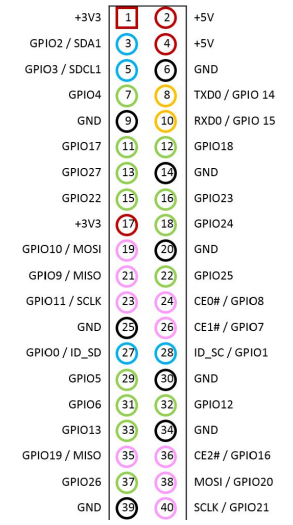
2

3

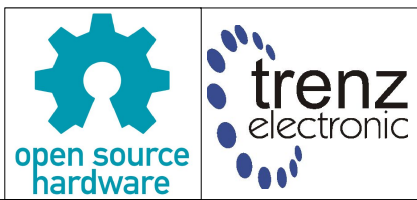
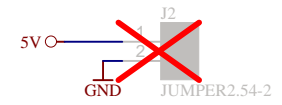
4



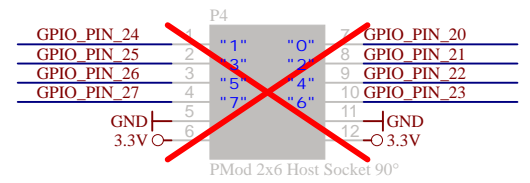
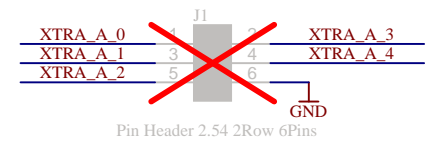
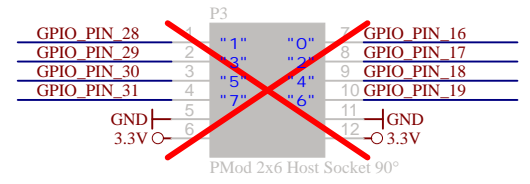
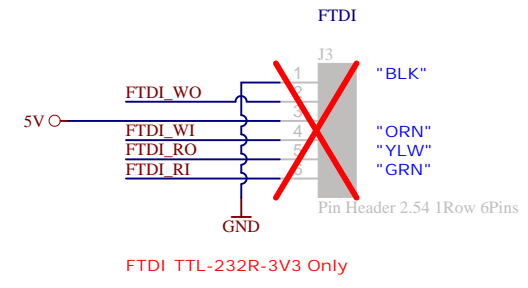
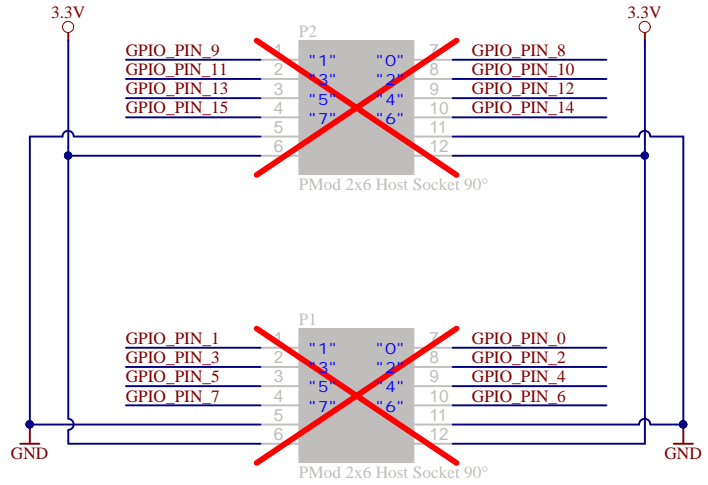
Raspberry PI Standard Pinout



"5V"  
"GND"



Title: TE0876 - Connectors		
A4	Number: TE0876 A	Rev. 02
Date: 2017-07-19	Copyright: Trenz Electronic GmbH	Page2 of 7
Filename: Connectors.SchDoc		



Title: TE0876 - PMOD		
A4	Number: TE0876 A	Rev. 02
Date: 2017-07-19	Copyright: Trenz Electronic GmbH	Page3 of 7
Filename: PMOD.SchDoc		

1

UIA

**BANK 0**

IOT_168	110	LED1
IOT_169	112	PI_UART_RO
IOT_170	113	PI_UART_WI
IOT_171	114	PI_I2C_SCL
IOT_172	115	PI_I2C_SDA
IOT_173	116	XTRA_A_2
IOT_174	117	XTRA_A_3
IOT_177	118	XTRA_A_4
IOT_178	119	FTDI_WO
IOT_179	120	XTRA_A_0
IOT_181	121	XTRA_A_1
IOT_182	122	FTDI_WI
IOT_191	124	FTDI_RO
IOT_192	125	FTDI_RI
IOT_197_GBIN1	128	XTRA_CLK1
IOT_198_GBIN0	129	XTRA_CLK2
IOT_206	130	GPIO_PIN_7
IOT_212	134	GPIO_PIN_6
IOT_213	135	GPIO_PIN_5
IOT_214	136	GPIO_PIN_4
IOT_215	137	GPIO_PIN_3
IOT_216	138	GPIO_PIN_2
IOT_217	139	GPIO_PIN_1
IOT_219	141	GPIO_PIN_0
IOT_220	142	GPIO_PIN_23
IOT_221	143	GPIO_PIN_22
IOT_222	144	GPIO_PIN_21

ICE40HX4K-TQ144

2

UIB

**BANK 1**

IOR_109	73	PI_ID_0
IOR_110	74	PI_ID_1
IOR_111	75	SRAM_UB1
IOR_112	76	SRAM_OE1
IOR_114	78	PI_SPL_CE_1
IOR_115	79	PI_SPL_SCK
IOR_116	80	SRAM_D15
IOR_117	81	SRAM_LB1
IOR_118	82	SRAM_D13
IOR_119	83	SRAM_D14
IOR_120	84	SRAM_D12
IOR_128	85	PI_SPL_CE_0
IOR_136	87	PI_SPL_MISO
IOR_137	88	PI_GPIO_0
IOR_138	90	PI_SPL_MOSI
IOR_139	91	SRAM_D11
IOR_140_GBIN3	93	LED2
IOR_141_GBIN2	94	LED3
IOR_144	95	SRAM_D10
IOR_146	96	SRAM_D9
IOR_147	97	SRAM_D8
IOR_148	98	SRAM_A18
IOR_152	99	PI_GPIO_1
IOR_160	101	PI_GPIO_2
IOR_161	102	SRAM_A14
IOR_164	104	SRAM_A13
IOR_165	105	SRAM_A12
IOR_166	106	SRAM_A11
IOR_167	107	SRAM_A10

ICE40HX4K-TQ144

3

UIC

**BANK 2**

IOB_56	37	GPIO_PIN_19
IOB_57	38	GPIO_PIN_18
IOB_61	39	GPIO_PIN_17
IOB_63	41	GPIO_PIN_16
IOB_64	42	GPIO_PIN_14
IOB_71	43	GPIO_PIN_15
IOB_72	44	GPIO_PIN_12
IOB_73	45	GPIO_PIN_13
IOB_79	47	GPIO_PIN_10
IOB_80	48	GPIO_PIN_11
IOB_81_GBIN5	49	ICE_CLK
IOB_82_GBIN4	52	GPIO_PIN_31
IOB_91	55	GPIO_PIN_8
IOB_94	56	GPIO_PIN_9
IOB_95	60	SRAM_A16
IOB_96	61	SRAM_A17
IOB_102	62	SRAM_A15
IOB_103_CBSEL0	63	CBSE_0
IOB_104_CBSEL1	64	CBSE_1
IOB_105_SDO	67	CFG_SO
IOB_106_SDI	68	CFG_SI
IOB_107_SCK	70	CFG_SCK
IOB_108_SS_B	71	CFG_SS
CDONE	65	CFG_DONE
CRESET_B	66	CFG_RST_1

ICE40HX4K-TQ144

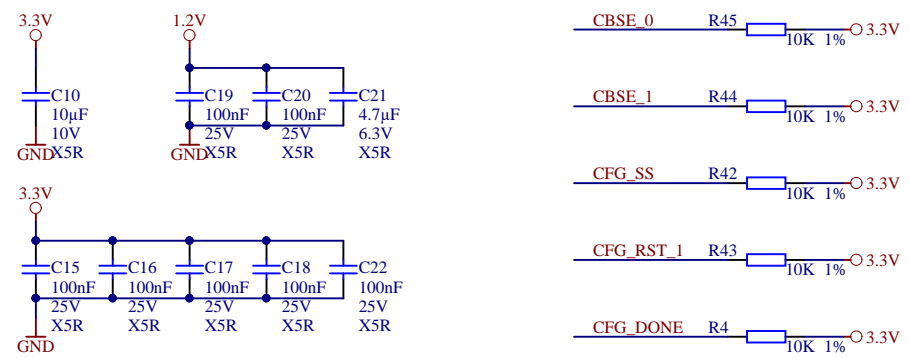
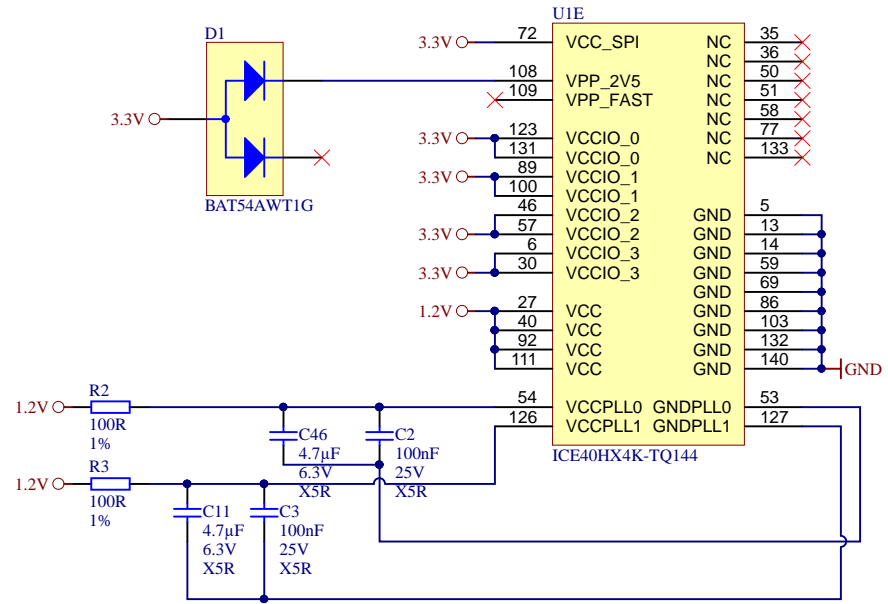
4


UID

**BANK 3**


IOL_2B	2	SRAM_A9
IOL_2A	4	GPIO_PIN_20
IOL_3B	4	SRAM_A7
IOL_3A	3	SRAM_A8
IOL_4B	8	GPIO_PIN_26
IOL_4A	7	GPIO_PIN_27
IOL_5B	10	SRAM_A5
IOL_5A	9	SRAM_A6
IOL_8B	12	SRAM_D7
IOL_8A	11	SRAM_WE1
IOL_10B	16	SRAM_D5
IOL_10A	15	SRAM_D6
IOL_12B	18	SRAM_D3
IOL_12A	17	SRAM_D4
IOL_13B_GBIN7	20	GPIO_PIN_25
IOL_13A	19	SRAM_D2
IOL_14B	22	SRAM_D1
IOL_14A_GBIN6	21	GPIO_PIN_24
IOL_17B	24	SRAM_CE1
IOL_17A	23	SRAM_D0
IOL_18B	26	GPIO_PIN_28
IOL_18A	25	SRAM_A4
IOL_23B	29	GPIO_PIN_29
IOL_23A	28	GPIO_PIN_30
IOL_24B	32	SRAM_A2
IOL_24A	31	SRAM_A3
IOL_25B	34	SRAM_A0
IOL_25A	33	SRAM_A1

ICE40HX4K-TQ144



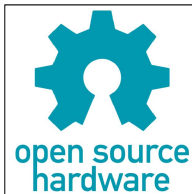
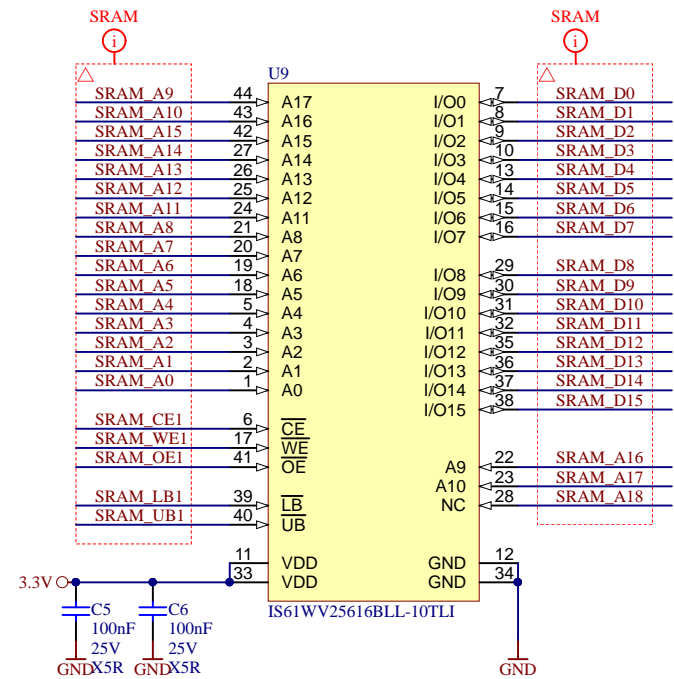
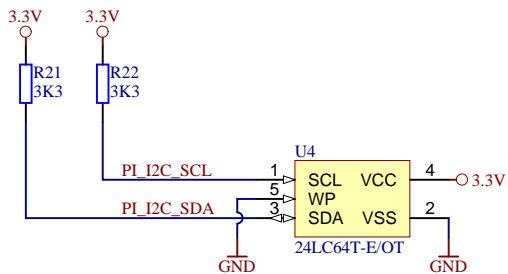
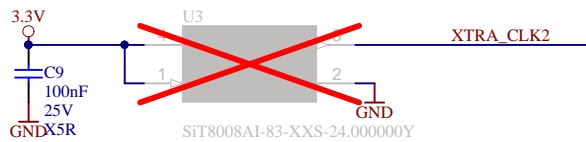
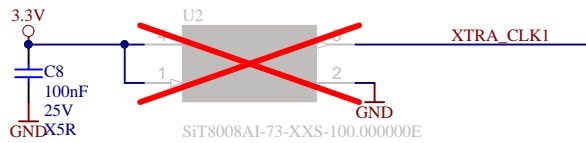
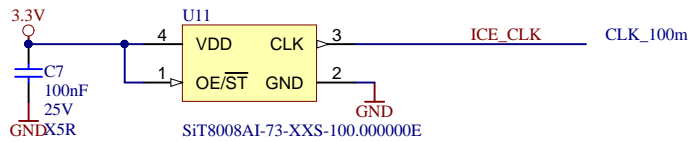


open source hardware



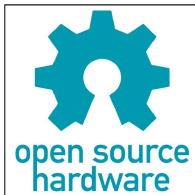
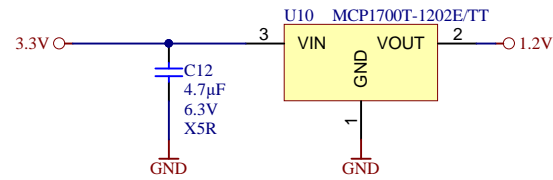
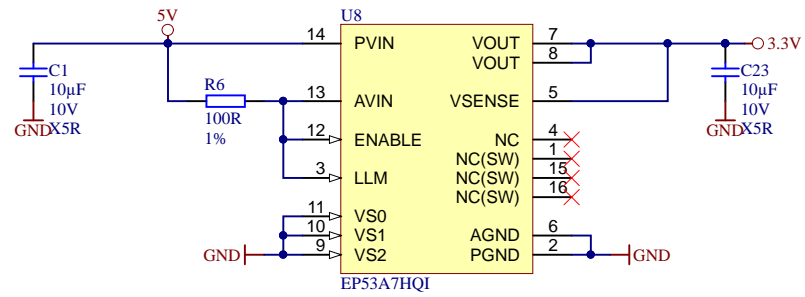
trenz electronic

Title: TE0876 - FPGA		
A4	Number: TE0876 A	Rev. 02
Date: 2017-07-19	Copyright: Trenz Electronic GmbH	Page 4 of 7
Filename: FPGA.SchDoc		



Title: TE0876 - Interface

A4	Number: TE0876 A	Rev. 02
Date: 2017-07-19	Copyright: Trenz Electronic GmbH	Page5 of 7
Filename: Interface.SchDoc		



Title: TE0876 - Power		
A4	Number: TE0876 A	Rev. 02
Date: 2017-07-19	Copyright: Trenz Electronic GmbH	Page6 of 7
Filename: PWR_FPGA.SchDoc		

1

2

3

4

Rev. 02:

- 1. SCH: added input LDO capacitor C12
- 2. PCB: routing and component placement optimization
- 3. New SRAM: 10ns instead 45ns access time

A

A

B


B

C

C

D

D

	Title: <b>TE0876 - Revision changes</b>		
	A4	Number: <b>TE0876 A</b>	Rev. <b>02</b>
	Date: <b>2017-07-19</b>	Copyright: <b>Trenz Electronic GmbH</b>	Page <b>7</b> of <b>7</b>
	Filename: <b>Revision_changes.SchDoc</b>		

1

2

3

4