

TEM0005_BB_Snap
TEM0005_BB_Snap.SchDoc

FTDI
FTDI.SchDoc

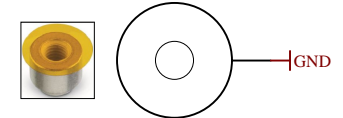
CON_IO
CON_IO.SchDoc

LED_SW_BUT
LED_SW_BUT.SchDoc

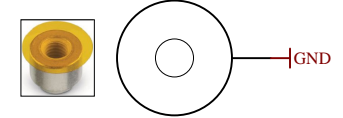
POWER
POWER.SchDoc

POWER_DCDC
POWER_DCDC.SchDoc

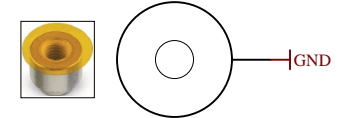
ETHERNET
ETHERNET.SchDoc



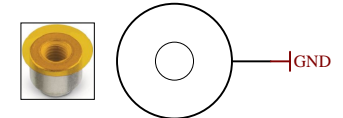
Steel Spacer M2 5mm SMD



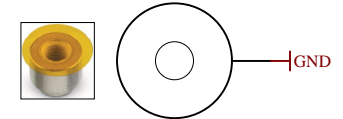
Steel Spacer M2 5mm SMD



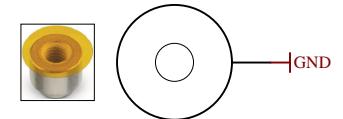
Steel Spacer M2 5mm SMD



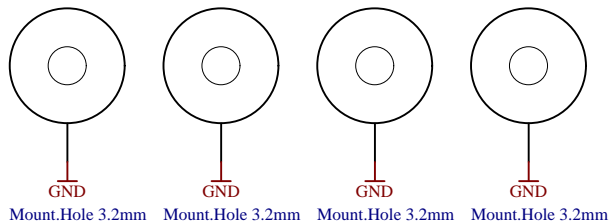
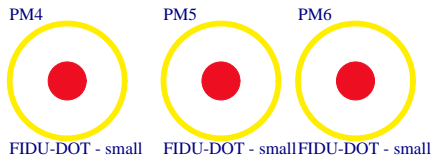
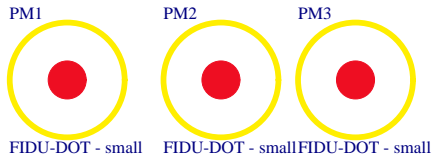
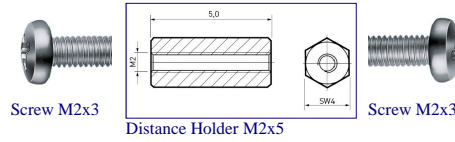
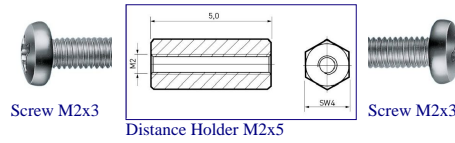
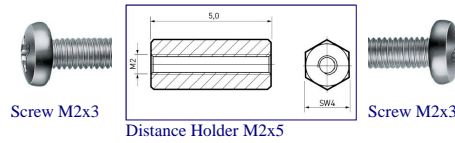
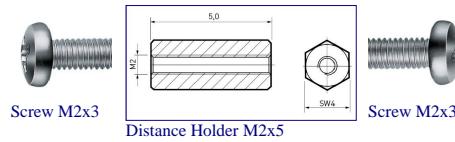
Steel Spacer M2 5mm SMD



Steel Spacer M2 5mm SMD



Steel Spacer M2 5mm SMD



Serial1
Serial
Serialnumber 6,3 x 6.3mm

LOGO1
TE Logo PRINT Layer
LOGO PRINT

MECH13
TE Address Overlay
LOGO ADDRESS

Design drawn by: MR
Checked by: VT
Assembly variant: default
Created by: MR
Modified by: MR
Modified at: 2020-05-19



Title: TEM0005

A4	Number: TEMB0005 default	Rev. 01
Date: 2019-09-02	Copyright: Trenz Electronic GmbH	Page 1 of 9
Filename: TEMB0005.SchDoc		

1

2

3

4

A

A

B

B

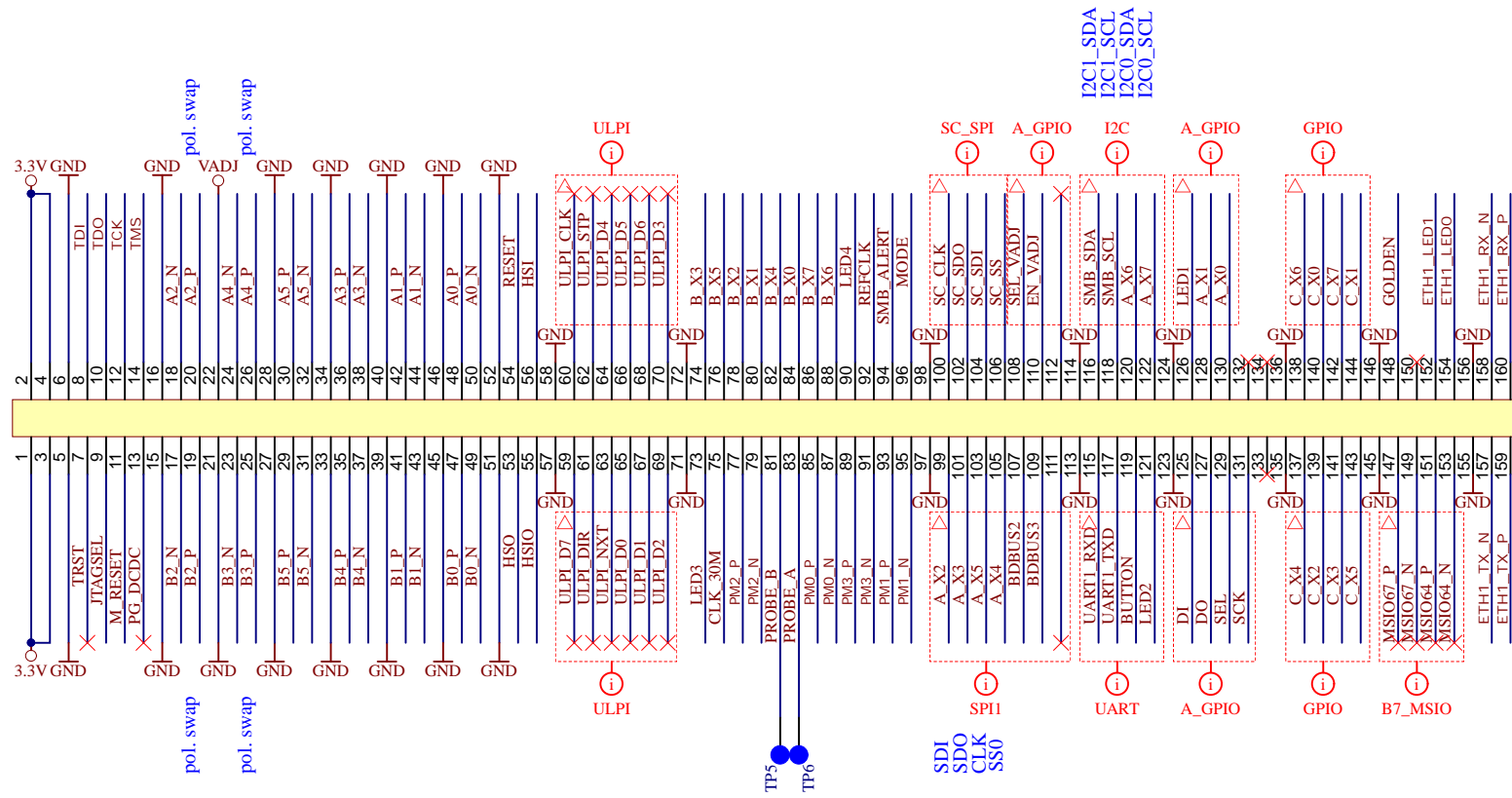
C

C

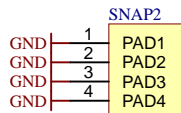
D

D

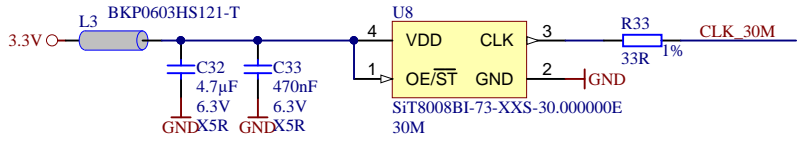
TEM0005: Pullups on both I2Cs buses
 Two devices connected to I2C0:
 Crypto Authentication ATECC608A
 EEPROM 1010000x



J11
 SS5-80-3.50-L-D-K-TR



SNAP for TEM0005 (56x31mm)



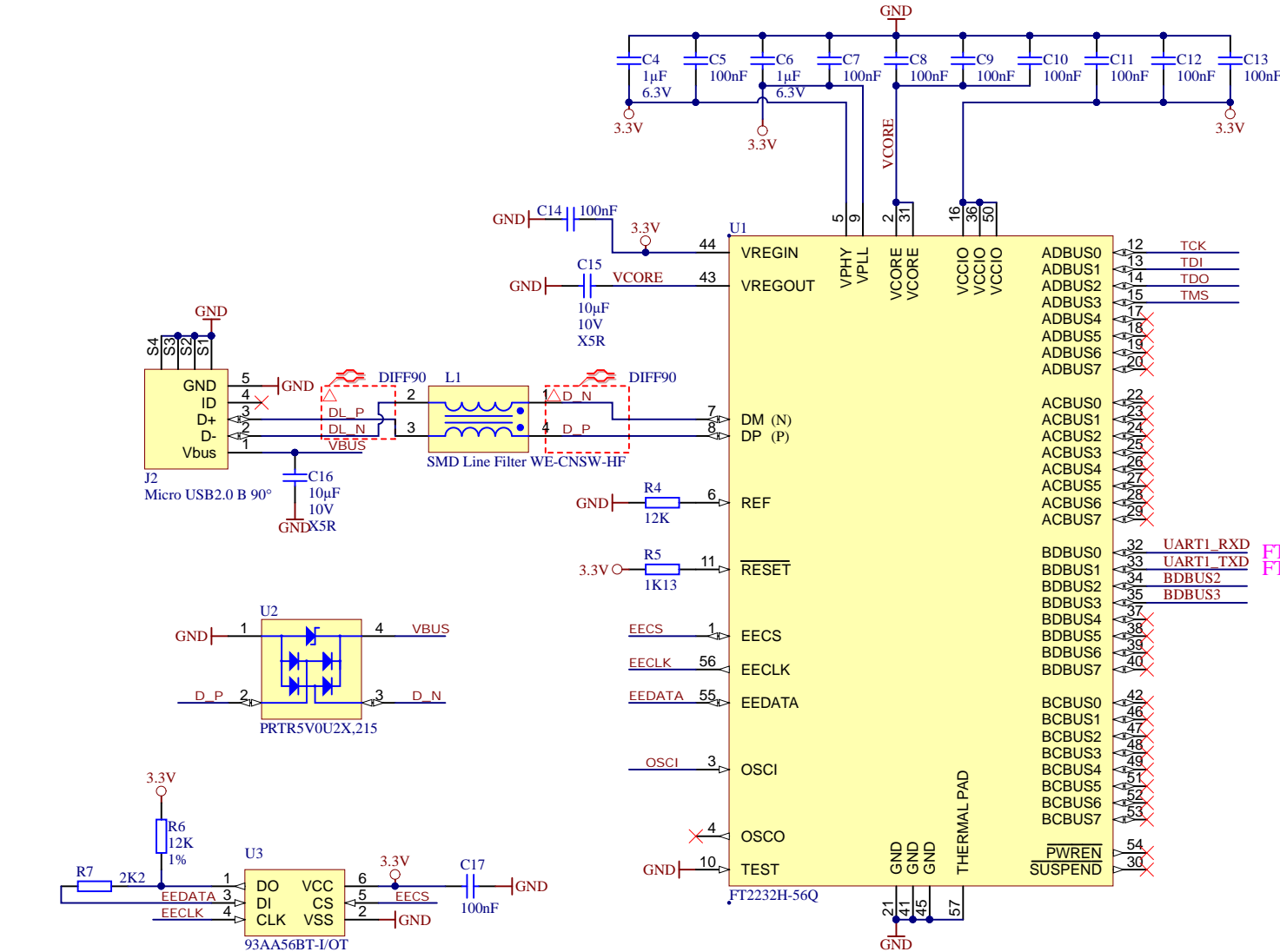
Title: TEMB0005 BB Snap		
A4	Number: TEMB0005 default	Rev. 01
Date: 2019-09-02	Copyright: Trenz Electronic GmbH	Page 2 of 9
Filename: TEM0005_BB_Snap.SchDoc		

1

2

3

4



FTDI transmitter output
FTDI receiver input



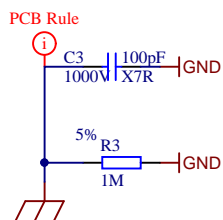
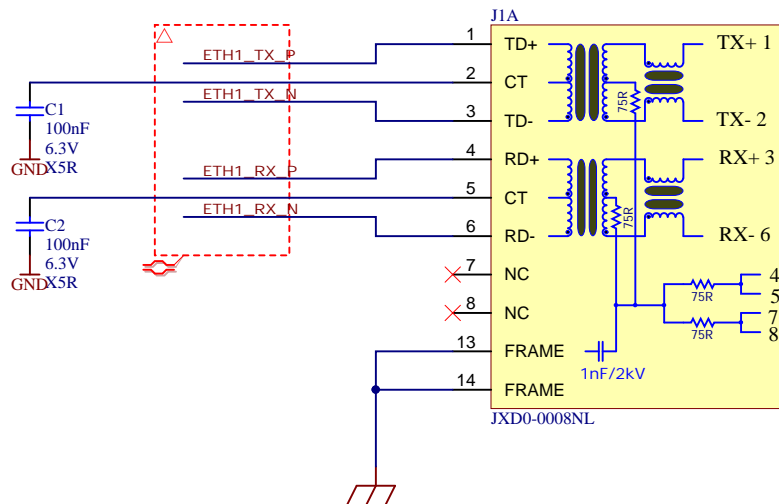
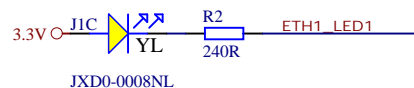
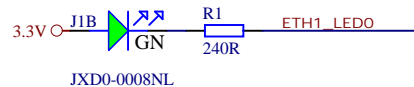

Title: FTDI USB		
A4	Number: TEMB0005 default	Rev. 01
Date: 2019-09-02	Copyright: Trenz Electronic GmbH	Page 3 of 9
Filename: FTDI.SchDoc		

1

2

3

4

Title: Ethernet		
A4	Number: TEMB0005 default	Rev. 01
Date: 2019-09-02	Copyright: Trenz Electronic GmbH	Page 4 of 9
Filename: ETHERNET.SchDoc		

1

2

3

4

1

2

3

4

A

A

B

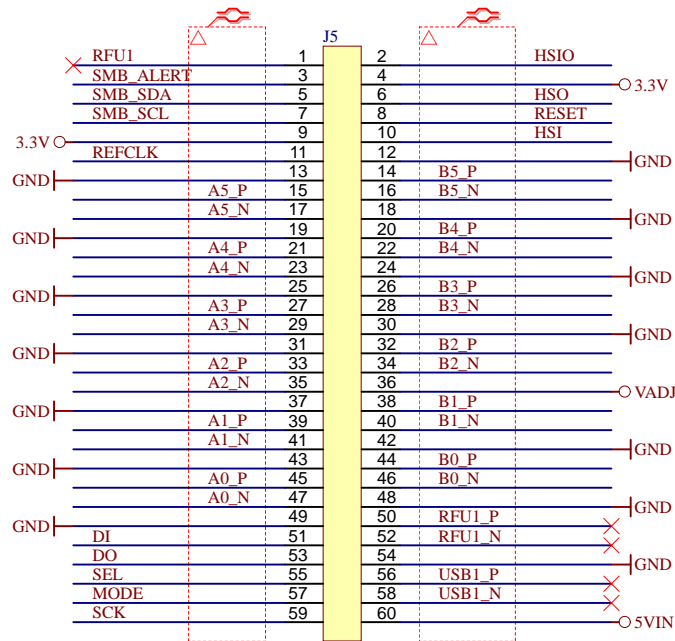
B

C

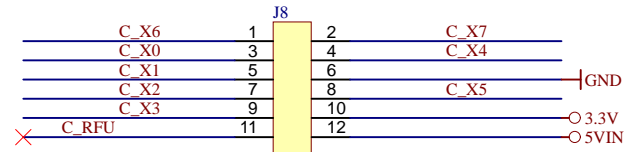
C

D

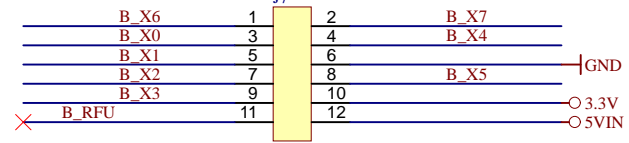
D



SS4-30-3.50-L-D-K-TR



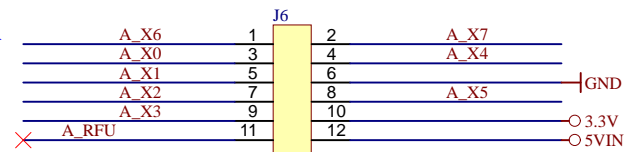
CLT-106-02-F-D-A-K



CLT-106-02-F-D-A-K

I2C0_SDA

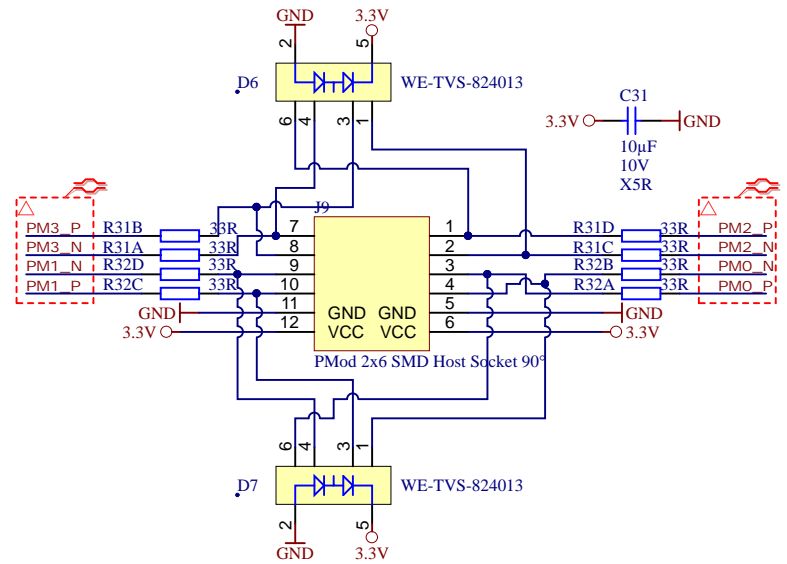
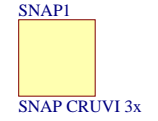
SDI
SDO



CLT-106-02-F-D-A-K

I2C0_SCL
SS0

CLK



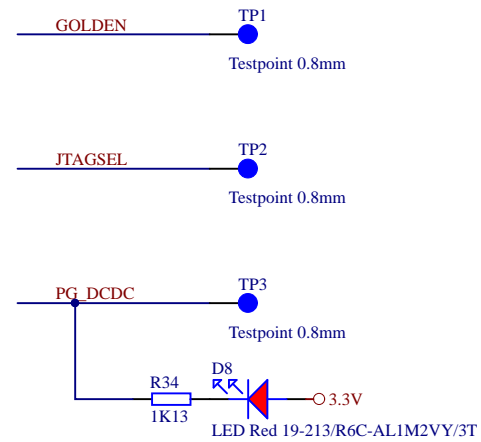
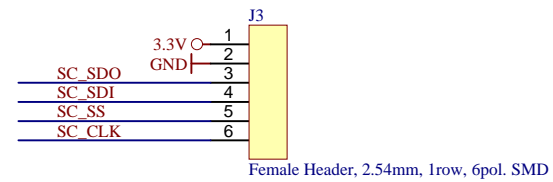
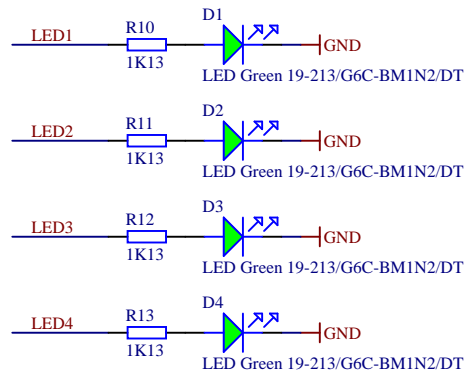
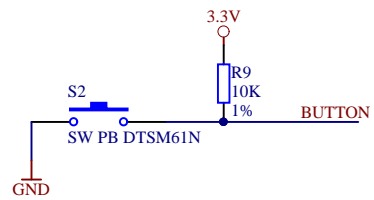
Title: CON_IO		
A4	Number: TEMB0005 default	Rev. 01
Date: 2019-09-02	Copyright: Trenz Electronic GmbH	Page 5 of 9
Filename: CON_IO.SchDoc		

1

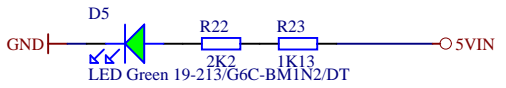
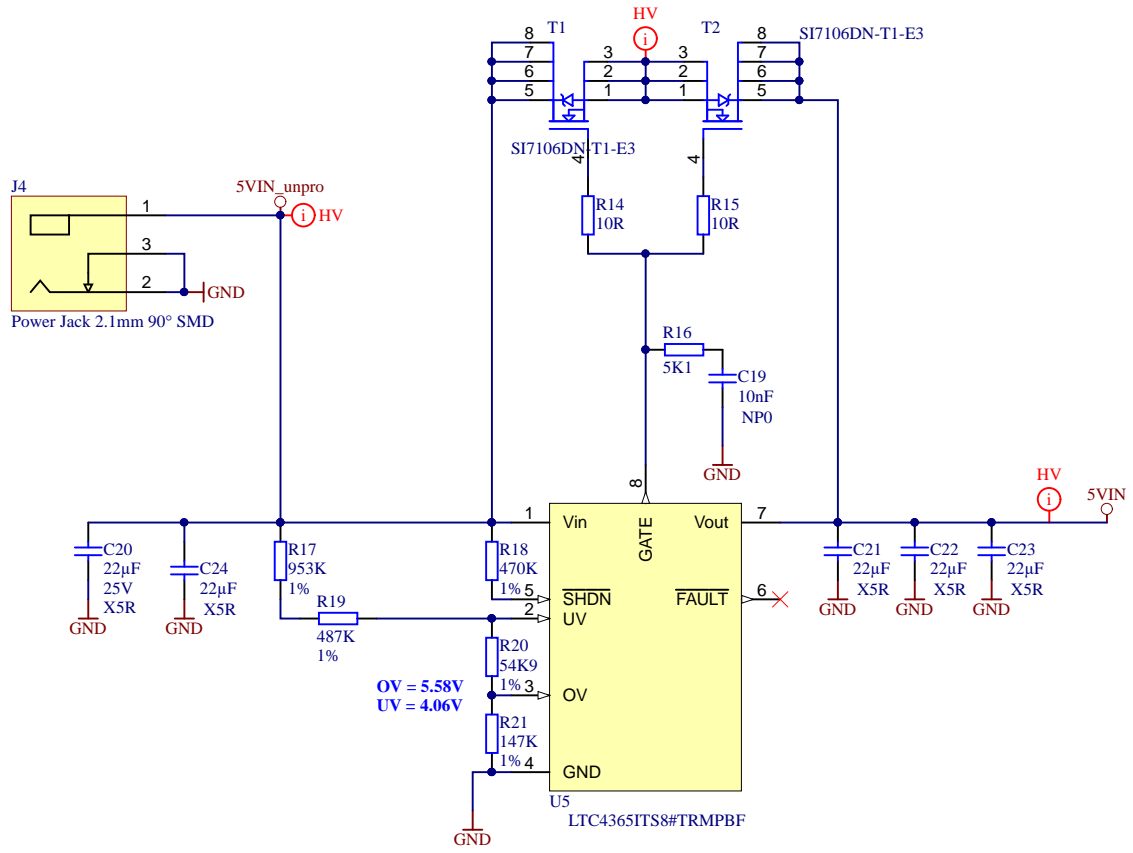
2

3

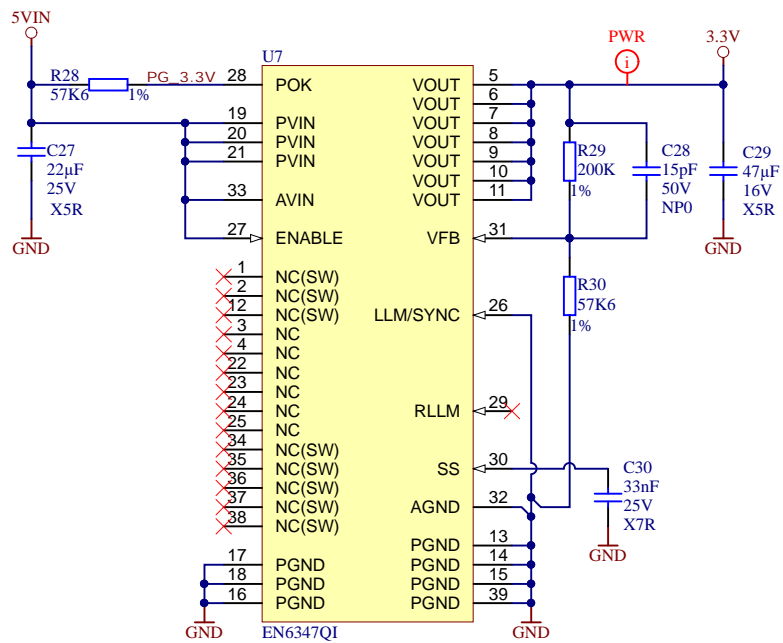
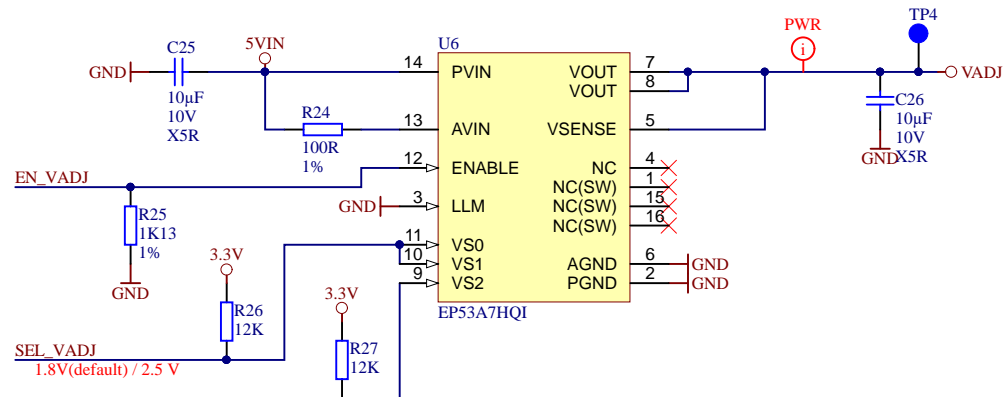
4



Title: LEDS & SWS & BUTTONS		
A4	Number: TEMB0005 default	Rev. 01
Date: 2019-09-02	Copyright: Trenz Electronic GmbH	Page 6 of 9
Filename: LED_SW_BUT.SchDoc		



Title: Power		
A4	Number: TEMB0005 default	Rev. 01
Date: 2019-09-02	Copyright: Trenz Electronic GmbH	Page 7 of 9
Filename: POWER.SchDoc		



Title: Power DCDC		
A4	Number: TEMB0005 default	Rev. 01
Date: 2019-09-02	Copyright: Trenz Electronic GmbH	Page 8 of 9
Filename: POWER_DCDC.SchDoc		

1

2

3

4

REV. 01:

initial version

A

A

B


B

C

C

D

D

	Title: Revision Changes		
	A4	Number: TEMB0005 default	Rev. 01
	Date: 2019-09-02	Copyright: Trenz Electronic GmbH	Page 9 of 9
	Filename: Revision changes.SchDoc		

1

2

3

4