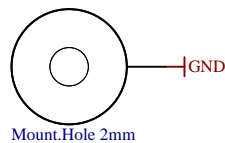
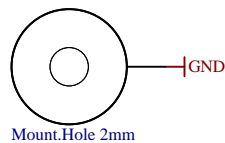
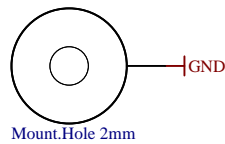
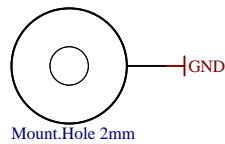
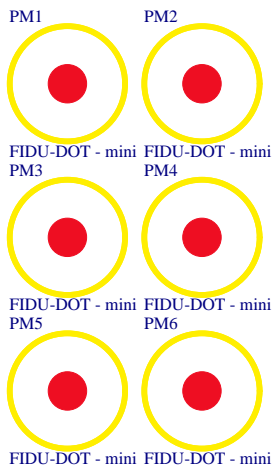
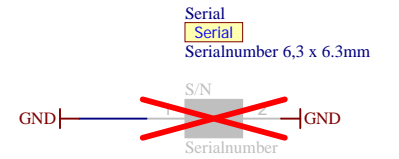


- U_J1
J1.SchDoc
- U_Soc_1
Soc_1.SchDoc
- U_Soc_2
Soc_2.SchDoc
- U_Soc_3
Soc_3.SchDoc
- U_DDR3
DDR3-RAM.SchDoc
- U_ETH
ETH.SchDoc
- U_PowerSupply
PowerSupply.SchDoc



Assembly variant	ADI11-A
Created by	ED
Modified by	VY
Modified at	2022-12-05
SVN Revision	Unknown revision



Title: TEM0005		
A4	Number: TEM0005 ADI11-A	Rev. 02
Date: 2020-01-22	Copyright: Trenz Electronic GmbH / TT	Page1 of 9
Filename: TEM0005.SchDoc		

1

2

3

4

A

A

B

B

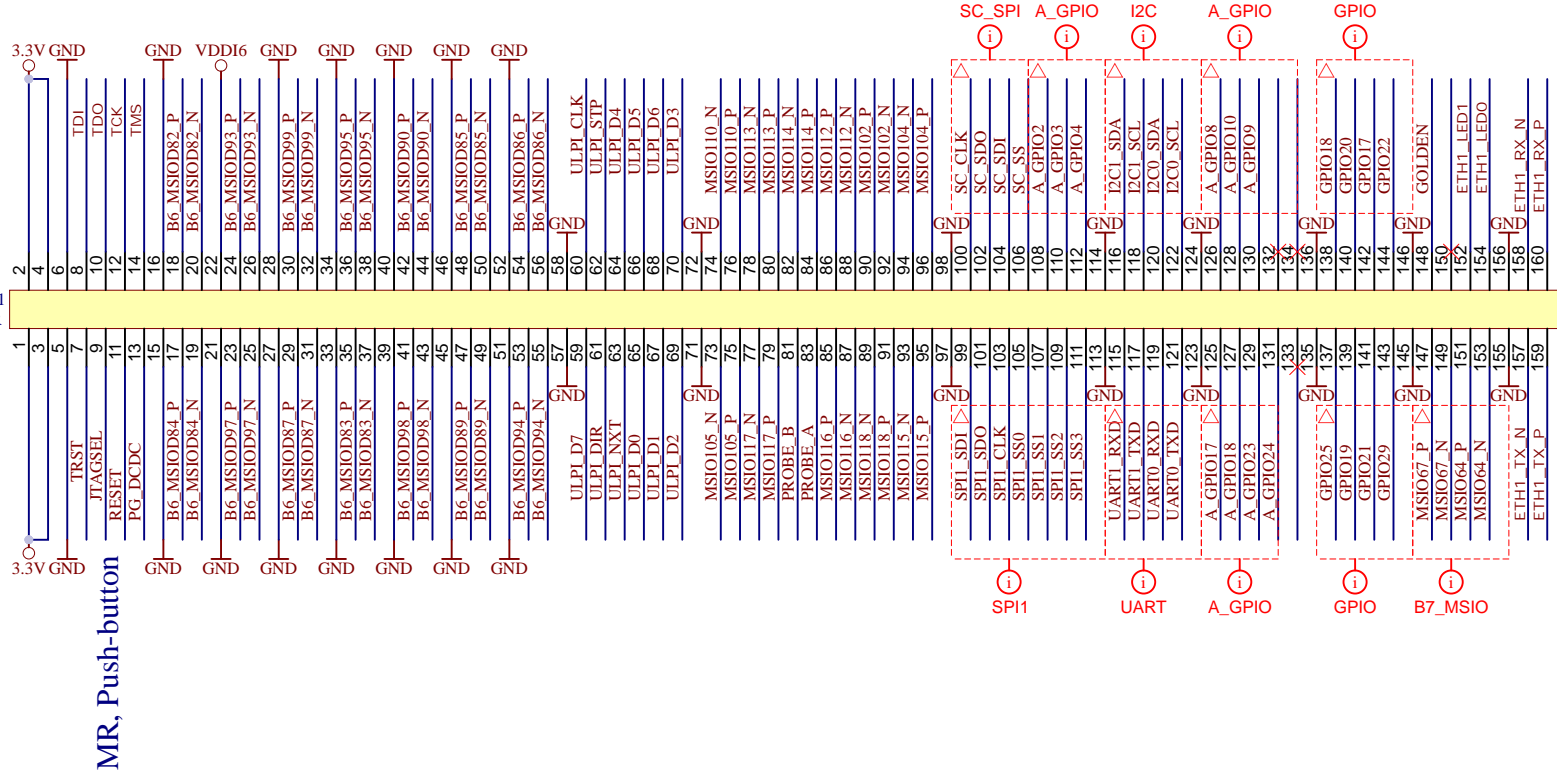
C

C


D

D

J1
ST5-80-1.50-L-D-P-TR



MR, Push-button



Title: TEM0005 - B2B_connector J1		
A4	Number: TEM0005 ADI11-A	Rev. 02
Date: 2020-01-22	Copyright: Trenz Electronic GmbH / TT	Page2 of 9
Filename: J1.SchDoc		

1

2

3

4

A

A

B

B

C

C

D

D

U2A

BANK 0

A7	VDDIO	DDRIO35PB0/MDDR_ADDR14
A17	VDDIO	DDRIO35NB0/MDDR_ADDR15
B10	VDDIO	DDRIO36PB0/MDDR_ADDR12
C3	VDDIO	DDRIO36NB0/MDDR_ADDR13
C13	VDDIO	DDRIO37PB0/MDDR_ADDR10
D6	VDDIO	DDRIO37NB0/MDDR_ADDR11
D16	VDDIO	DDRIO38PB0/MDDR_ADDR8
E9	VDDIO	DDRIO38NB0/MDDR_ADDR9
G8	VDDIO	DDRIO39PB0/MDDR_ODT
G10	VDDIO	DDRIO39NB0/MDDR_ADDR7
G12	VDDIO	DDRIO40PB0/MDDR_ADDR5
	VDDIO	DDRIO40NB0/MDDR_ADDR6
	VDDIO	DDRIO41PB0/MDDR_ADDR3
	VDDIO	DDRIO41NB0/MDDR_ADDR4
	VDDIO	DDRIO42PB0/MDDR_ADDR1
	VDDIO	DDRIO42NB0/MDDR_ADDR2
	VDDIO	DDRIO43PB0/MDDR_BA2
	VDDIO	DDRIO43NB0/MDDR_ADDR0
	VDDIO	DDRIO44PB0/MDDR_BA0
	VDDIO	DDRIO44NB0/MDDR_BA1
	VDDIO	DDRIO45PB0/MDDR_CLK
	VDDIO	DDRIO45NB0/MDDR_CLK_N
	VDDIO	DDRIO46PB0/MDDR_RESET_N
	VDDIO	DDRIO46NB0/MDDR_CAS_N
	VDDIO	DDRIO47PB0/MDDR_CKE
	VDDIO	DDRIO47NB0/MDDR_CS_N
	VDDIO	DDRIO48PB0/MDDR_RAS_N
	VDDIO	DDRIO48NB0/MDDR_WE_N
	VDDIO	DDRIO49PB0/CCC_NE1_CLKI3/MDDR_DQ14
	VDDIO	DDRIO49NB0/MDDR_DQ15
	VDDIO	DDRIO50PB0/GB12/CCC_NE1_CLKI2/MDDR_DQ12
	VDDIO	DDRIO50NB0/MDDR_DQ13
	VDDIO	DDRIO51PB0/MDDR_TMATCH_0_IN
	VDDIO	DDRIO51NB0/MDDR_DM_RDQS1
	VDDIO	DDRIO52PB0/GB8/CCC_NE0_CLKI3/MDDR_DQS1_P
	VDDIO	DDRIO52NB0/MDDR_DQS1_N
	VDDIO	DDRIO53PB0/CCC_NE0_CLKI2/MDDR_DQ11
	VDDIO	DDRIO53NB0/MDDR_DQ10
	VDDIO	DDRIO54PB0/MDDR_DQ8
	VDDIO	DDRIO54NB0/MDDR_DQ9
	VDDIO	DDRIO55PB0/MDDR_DQ7
	VDDIO	DDRIO55NB0/MDDR_TMATCH_0_OUT
	VDDIO	DDRIO56PB0/MDDR_DQ5
	VDDIO	DDRIO56NB0/MDDR_DQ6
	VDDIO	DDRIO57PB0/MDDR_DM_RDQS0
	VDDIO	DDRIO57NB0/MDDR_DQ4
	VDDIO	DDRIO58PB0/MDDR_DQS0
	VDDIO	DDRIO58NB0/MDDR_DQS0_N
	VDDIO	DDRIO59PB0/MDDR_DQ2
	VDDIO	DDRIO59NB0/MDDR_DQ3
	VDDIO	DDRIO60PB0/MDDR_DQ0
	VDDIO	DDRIO60NB0/MDDR_DQ1
	VDDIO	DDRIO61PB0/CCC_NW1_CLKI3
	VDDIO	DDRIO61NB0
	VDDIO	DDRIO62PB0/MDDR_DQ_ECC1
	VDDIO	DDRIO62NB0/MDDR_DQ_ECC0
	VDDIO	DDRIO63PB0/MDDR_TMATCH_ECC_IN
	VDDIO	DDRIO63NB0/MDDR_DM_RDQS_ECC
	VDDIO	DDRIO64PB0/MDDR_DQS_ECC
	VDDIO	DDRIO64NB0/MDDR_DQS_ECC_N
	VDDIO	DDRIO65PB0/GB0/CCC_NW0_CLKI3
	VDDIO	DDRIO65NB0/GB4/CCC_NW1_CLKI2
	VDDIO	DDRIO66PB0/MDDR_TMATCH_ECC_OUT
	VDDIO	DDRIO66NB0/CCC_NW0_CLKI2

M2S025-VFG4001

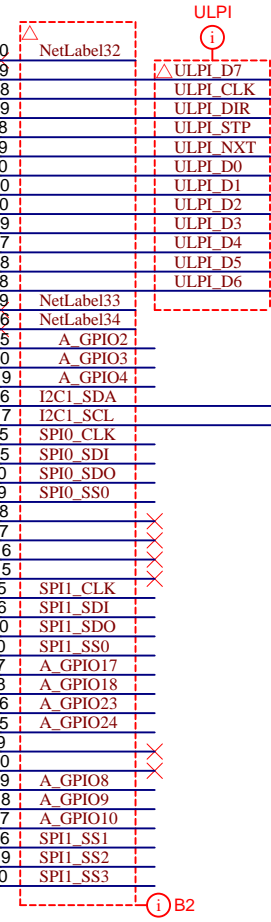
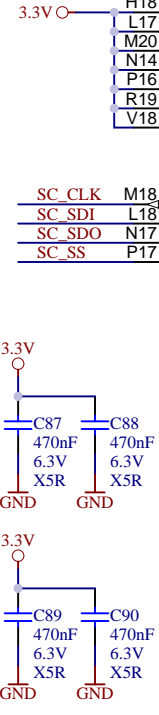
A18	DDR3-A14
B18	DDR3-A15
D17	DDR3-A12
C17	DDR3-A13
D15	DDR3-A10
E15	DDR3-A11
A16	DDR3-A8
B17	DDR3-A9
B16	DDR3-ODT
C16	DDR3-A7
B14	DDR3-A5
A15	DDR3-A6
C14	DDR3-A3
C15	DDR3-A4
A13	DDR3-A1
A14	DDR3-A2
D13	DDR3-BA2
D14	DDR3-A0
E13	DDR3-BA0
F13	DDR3-BA1
B13	DDR3-CLK_P
B12	DDR3-CLK_N
F11	DDR3-RESET
E12	DDR3-CAS
C12	DDR3-CKE
C11	DDR3-CS
D12	DDR3-RAS
E11	DDR3-WE
A11	DDR3-D14
B11	DDR3-D15
D10	DDR3-D12
E10	DDR3-D13
E8	TMATCH
F9	DDR3-DM1
C9	DDR3-DQS1_P
B9	DDR3-DQS1_N
D9	DDR3-D10
C10	DDR3-D11
A9	DDR3-D8
A10	DDR3-D9
D7	DDR3-D7
D8	
A8	DDR3-D5
B8	DDR3-D6
B6	DDR3-DM0
B7	DDR3-D4
C6	DDR3-DQS0_P
C7	DDR3-DQS0_N
A5	DDR3-D2
A6	DDR3-D3
E7	DDR3-D0
F8	DDR3-D1
E6	NC
D5	NC
A3	NC
A4	NC
D4	TMATCH_ECC
C5	NC
B3	NC
B4	NC
A1	NC
B1	NC
C4	NC
D3	NC

U2C

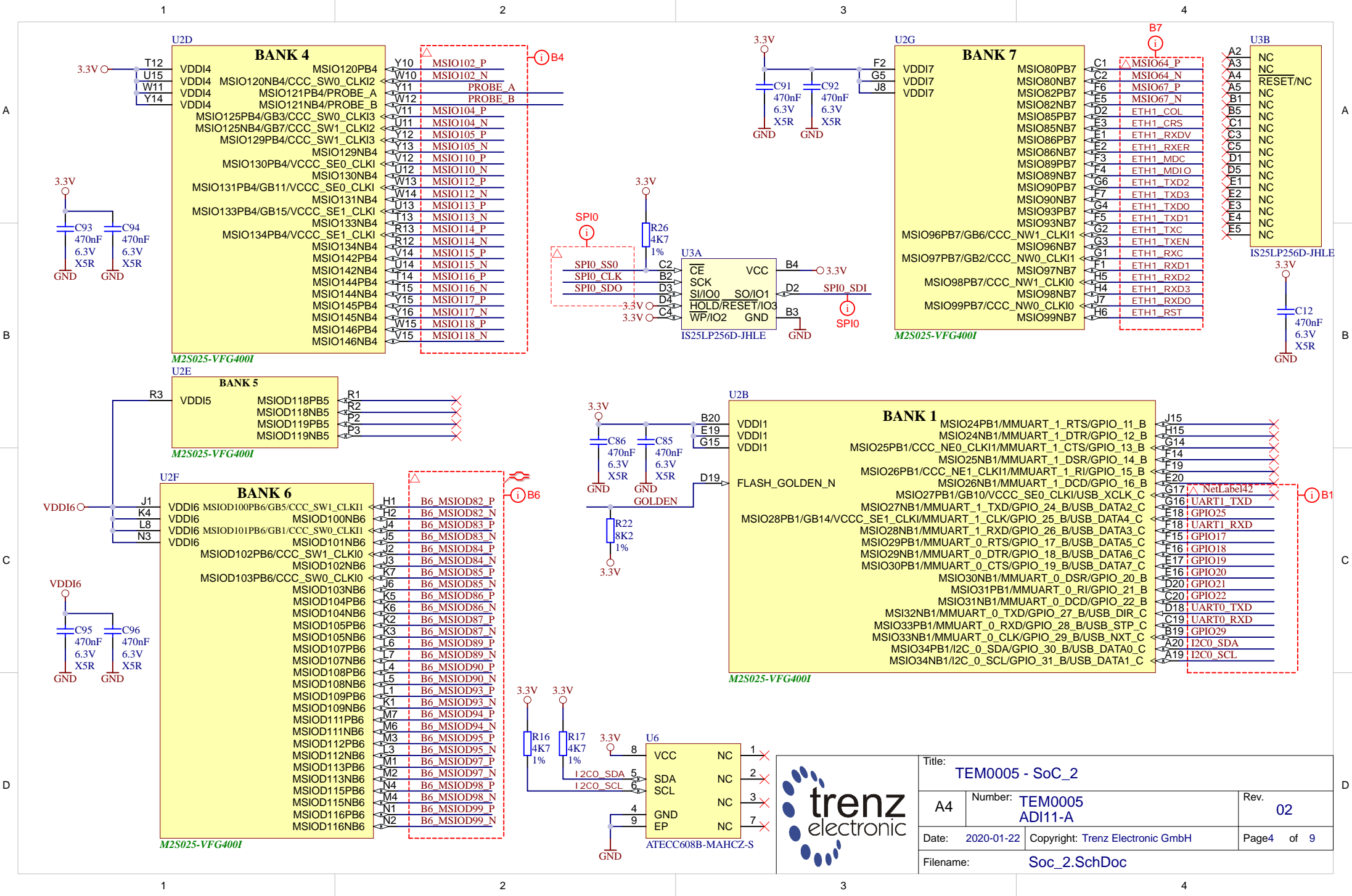
BANK 2

H18	VDDI2	MSIO0PB2
L17	VDDI2	MSIO0NB2/USB_DATA7_B
M20	VDDI2	MSIO1PB2/USB_XCLK_B
N14	VDDI2	MSIO1NB2/USB_DIR_B
P16	VDDI2	MSIO2PB2/USB_STP_B
R19	VDDI2	MSIO2NB2/USB_NXT_B
V18	VDDI2	MSIO3PB2/USB_DATA0_B
	VDDI2	MSIO3NB2/USB_DATA1_B
	VDDI2	MSIO4PB2/USB_DATA2_B
	VDDI2	MSIO4NB2/USB_DATA3_B
	VDDI2	MSIO5PB2/USB_DATA4_B
	VDDI2	MSIO5NB2/USB_DATA5_B
	VDDI2	MSIO6PB2/USB_DATA6_B
	VDDI2	MSIO6NB2
	VDDI2	MSIO7PB2
	VDDI2	MSIO7NB2/CAN_TX/GPIO_2_A/USB_DATA0_A
	VDDI2	MSIO8PB2/CAN_RX/GPIO_3_A/USB_DATA1_A
	VDDI2	MSIO8NB2/CAN_TX_EN_N/GPIO_4_A/USB_DATA2_A
	VDDI2	MSIO11PB2/CCC_NE0_CLKI0/I2C_1_SDA/GPIO_0_A/USB_DATA3_A
	VDDI2	MSIO11NB2/CCC_NE1_CLKI0/I2C_1_SCL/GPIO_1_A/USB_DATA4_A
	VDDI2	MSIO12PB2/SPI_0_CLK/USB_XCLK_A
	VDDI2	MSIO12NB2/SPI_0_SDI/GPIO_5_A/USB_DIR_A
	VDDI2	MSIO13PB2/SPI_0_SDO/GPIO_6_A/USB_STP_A
	VDDI2	MSIO13NB2/SPI_0_SS0/GPIO_7_A/USB_NXT_A
	VDDI2	MSIO14PB2/SPI_0_SS4/GPIO_19_A
	VDDI2	MSIO14NB2/SPI_0_SS5/GPIO_20_A
	VDDI2	MSIO15PB2/SPI_0_SS6/GPIO_21_A
	VDDI2	MSIO15NB2/SPI_0_SS7/GPIO_22_A
	VDDI2	MSIO16PB2/SPI_1_CLK
	VDDI2	MSIO16NB2/SPI_1_SDI/GPIO_11_A
	VDDI2	MSIO17PB2/SPI_1_SDO/GPIO_12_A
	VDDI2	MSIO17NB2/SPI_1_SS0/GPIO_13_A
	VDDI2	MSIO18PB2/SPI_1_SS4/GPIO_17_A
	VDDI2	MSIO18NB2/SPI_1_SS5/GPIO_18_A
	VDDI2	MSIO19PB2/SPI_1_SS6/GPIO_23_A
	VDDI2	MSIO19NB2/SPI_1_SS7/GPIO_24_A
	VDDI2	MSIO20PB2/GB9/VCC_SE0_CLKI/GPIO_25_A
	VDDI2	MSIO20NB2/GB13/VCC_SE1_CLKI/GPIO_26_A
	VDDI2	MSIO21PB2/SPI_0_SS1/GPIO_8_A/USB_DATA5_A
	VDDI2	MSIO21NB2/SPI_0_SS2/GPIO_9_A/USB_DATA6_A
	VDDI2	MSIO22PB2/SPI_0_SS3/GPIO_10_A/USB_DATA7_A
	VDDI2	MSIO22NB2/SPI_1_SS1/GPIO_14_A
	VDDI2	MSIO23PB2/SPI_1_SS2/GPIO_15_A
	VDDI2	MSIO23NB2/SPI_1_SS3/GPIO_16_A

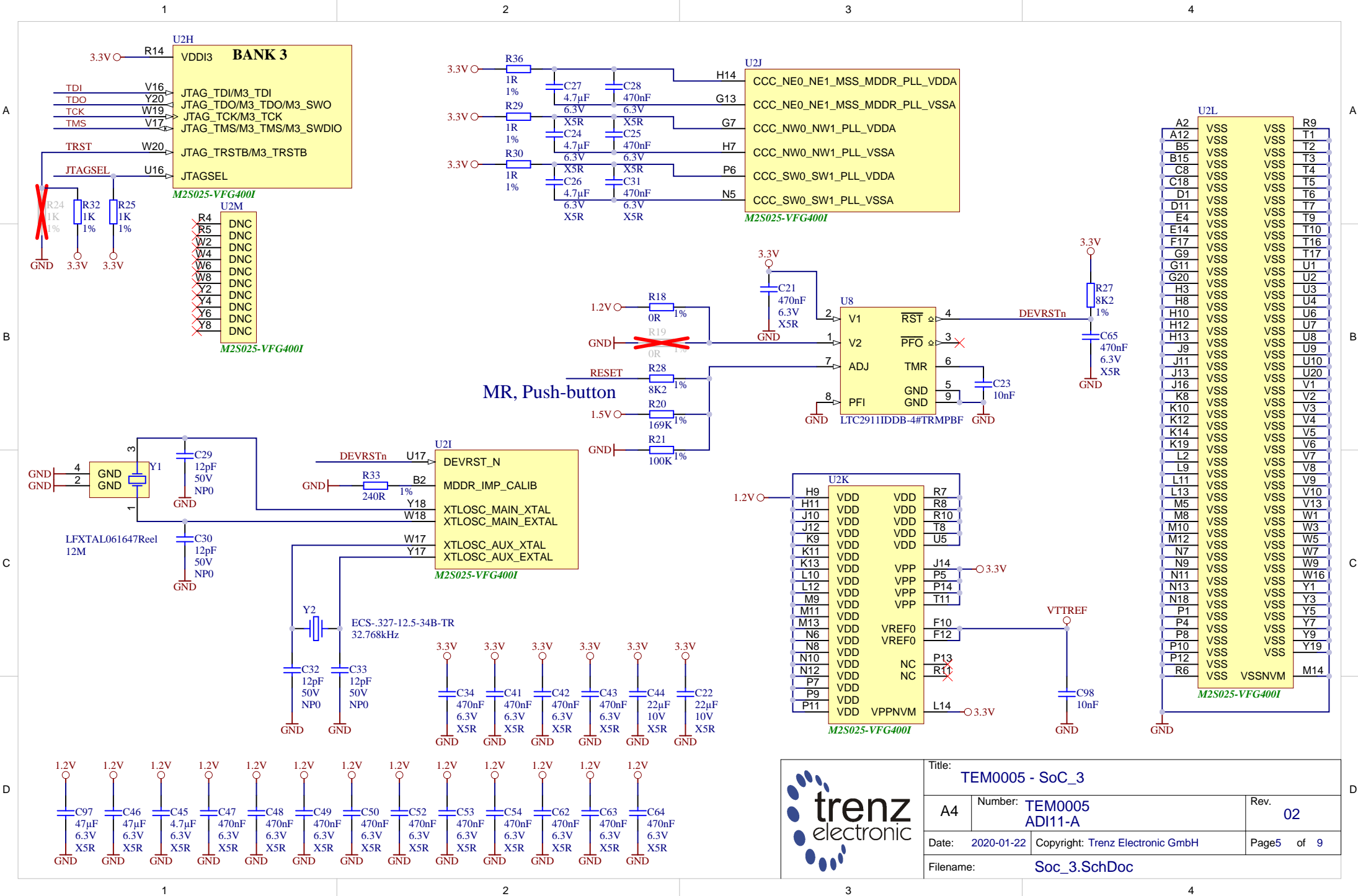
M2S025-VFG4001



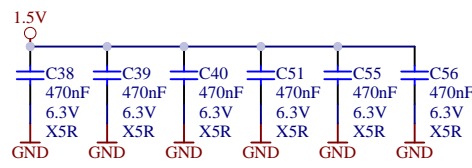
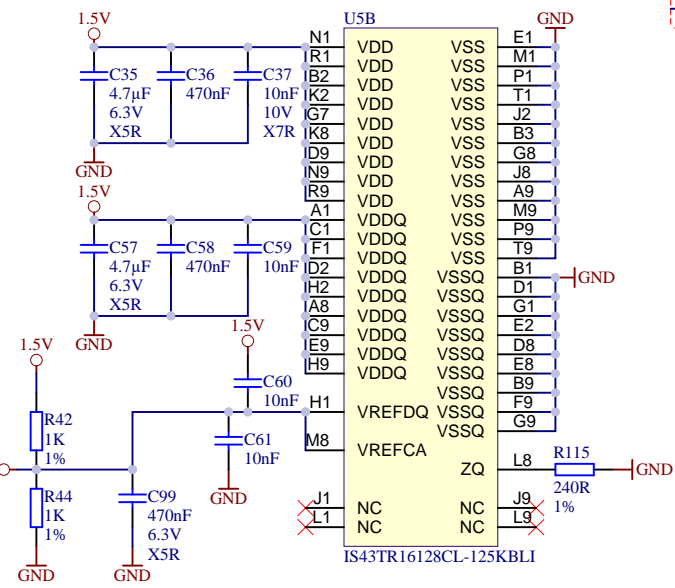
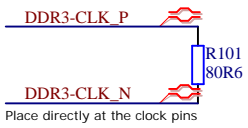
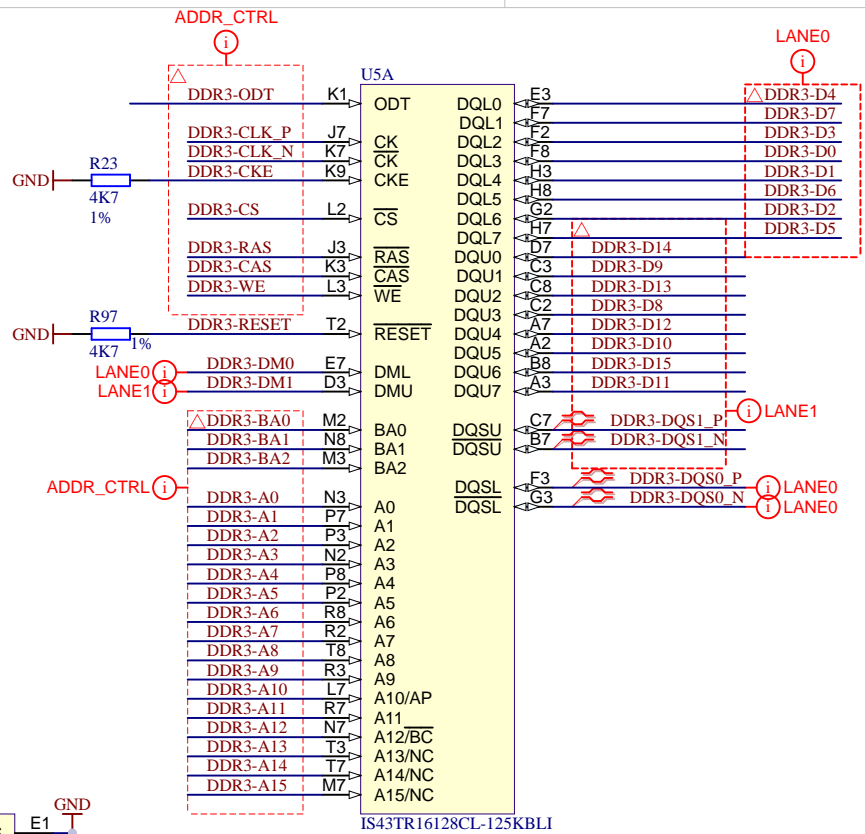
Title: TEM005 - SoC_1		
A4	Number: TEM0005 ADI11-A	Rev. 02
Date: 2020-01-22	Copyright: Trenz Electronic GmbH	Page3 of 9
Filename: Soc_1.SchDoc		



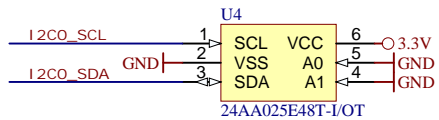
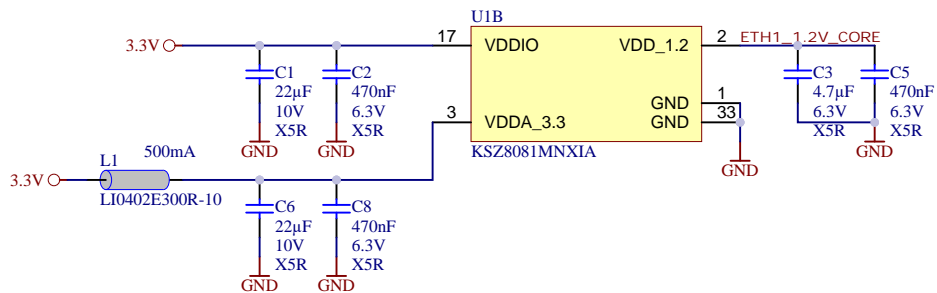
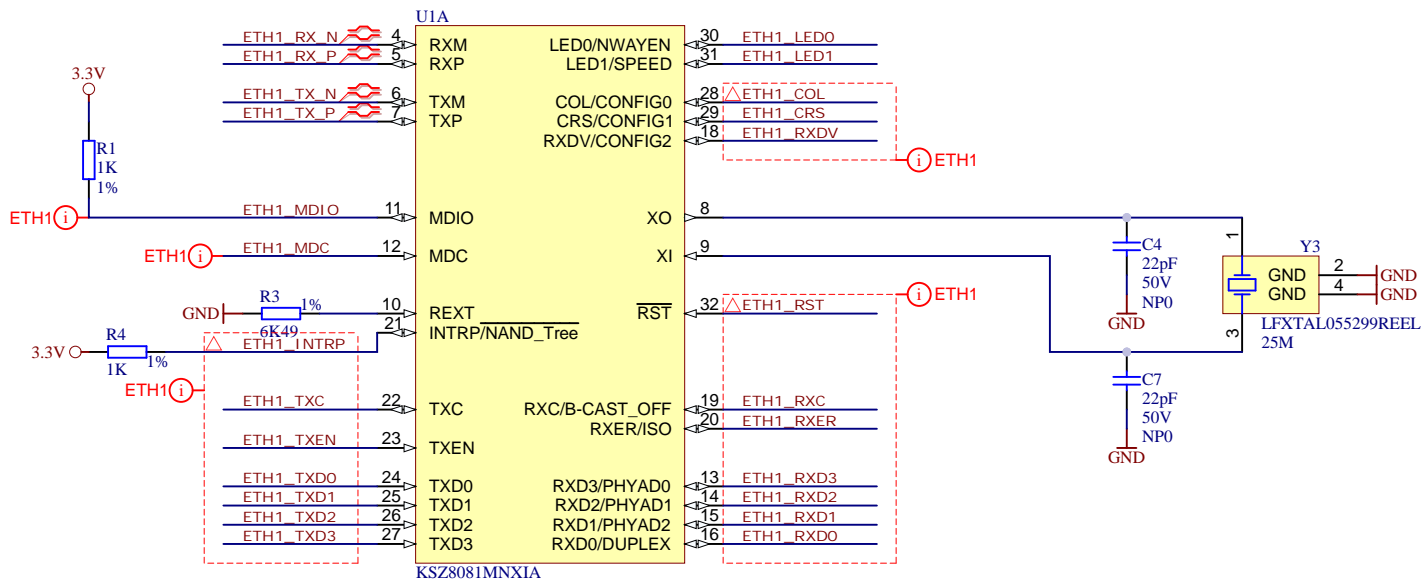
Title: TEM005 - SoC_2			
A4	Number: TEM005 ADI11-A	Rev. 02	
Date: 2020-01-22	Copyright: Trenz Electronic GmbH	Page 4 of 9	
Filename: Soc_2.SchDoc			



Title: TEM005 - SoC_3		
A4	Number: TEM0005 ADI11-A	Rev. 02
Date: 2020-01-22	Copyright: Trenz Electronic GmbH	Page5 of 9
Filename: Soc_3.SchDoc		



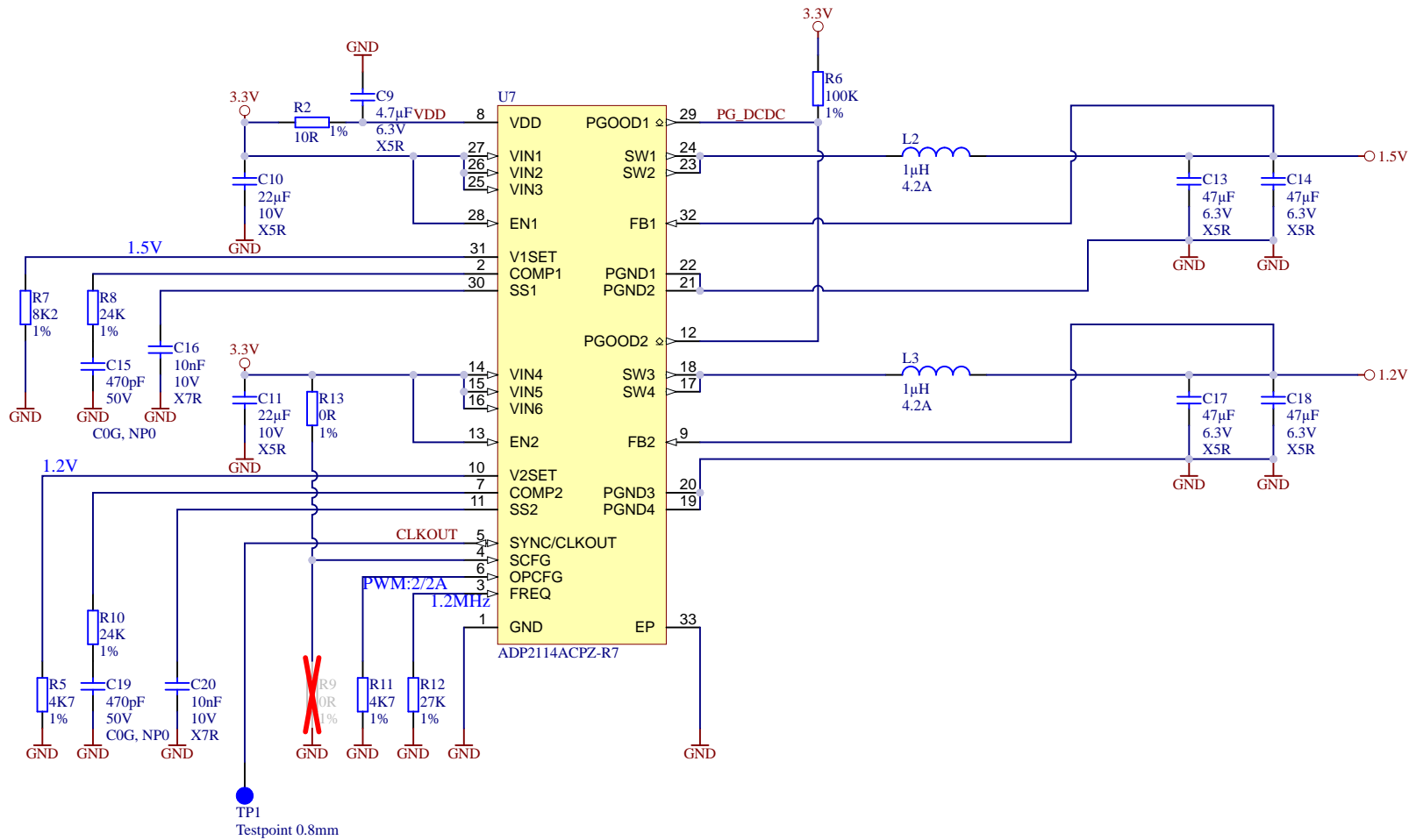
Title: TEM0005 - DDR Memory		
A4	Number: TEM0005 ADI11-A	Rev. 02
Date: 2020-01-22	Copyright: Trenz Electronic GmbH	Page6 of 9
Filename: DDR3-RAM.SchDoc		




Slave address: 0b1010000



Title: TEM0005 - ETH_PHY		
A4	Number: TEM0005 ADI11-A	Rev. 02
Date: 2020-01-22	Copyright: Trenz Electronic GmbH	Page 7 of 9
Filename: ETH.SchDoc		



	Title: TEM0005 - PowerSupply		
	A4	Number: TEM0005 ADI11-A	Rev. 02
	Date: 2020-01-22	Copyright: Trenz Electronic GmbH	Page8 of 9
	Filename: PowerSupply.SchDoc		

1

2

3

4

VT: Initial Rev (07.2019)

REV02: (01.2020)

VT: 1) Support M2S060 and M2S025 -> added R29,R30, C24..C26,C31

VT: 2) Added resistor R32

VT: 3) Full upd LIB

05.12.2022:

VY: 1) Changed Crystal G83270021 to ECS-.327-12.5-34B-TR

VY: 2) Changed CryptoAuthentication™ Device ATECC608A-MAHDA-S to ATECC608B-MAHCZ-S

A

A

B


B

C

C

D

D

	Title: TEM0005 - Revision changes		
	A4	Number: TEM0005 ADI11-A	Rev. 02
	Date: 2020-01-22	Copyright: Trenz Electronic GmbH	Page9 of 9
	Filename: Revision_Changes.SchDoc		

1

2

3

4