

1

2

3

4

U\_FPGA\_PWR\_MISC  
FPGA\_PWR\_MISC.SchDoc

U\_FPGA\_CFG  
FPGA\_CFG.SchDoc

U\_B14\_B16  
B14\_B16.SchDoc

U\_B15  
B15.SchDoc

U\_B34  
B34.SchDoc

U\_B35  
B35.SchDoc

U\_B2B\_Connector  
B2B\_Connector.SchDoc

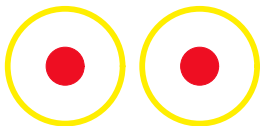
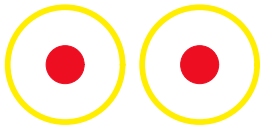
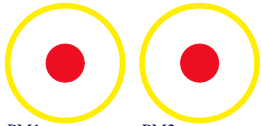
U\_POWER  
POWER.SchDoc

U\_Optical\_transceiver  
Optical\_transceiver.SchDoc

LOGO1

TE Logo PRINT Layer

LOGO PRINT



PM1

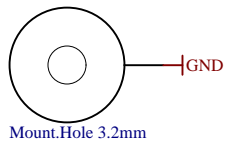
PM2

PM4


PM5

PM6

PM3



Mount.Hole 3.2mm

			Title: TE0725 - Overview	
			A4	Number: TE0725 TE0725-F1
Date: 2015-09-15		Copyright: Trenz Electronic GmbH / TT		Page1 of 10
Filename: TE0725.SchDoc				

1

2

3

4

A

A

B

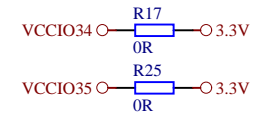
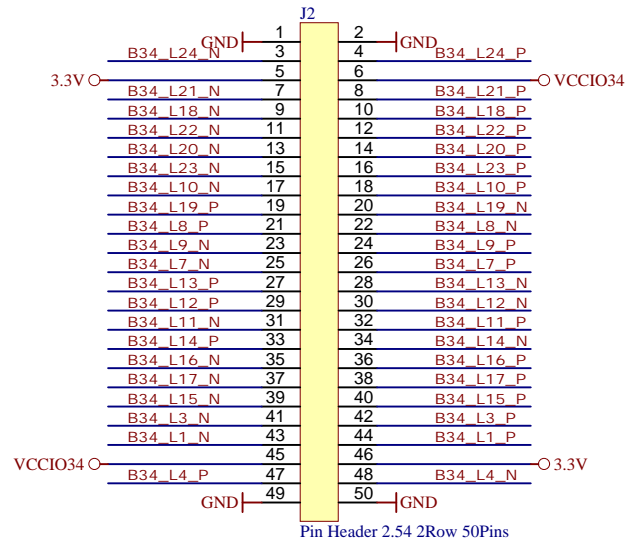
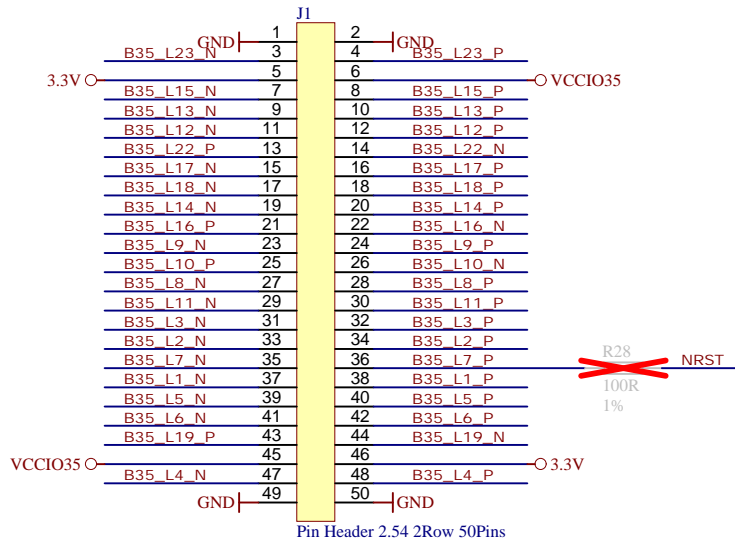
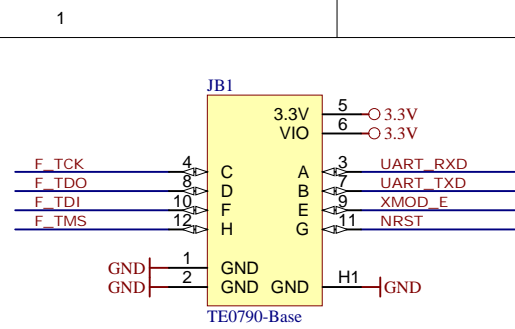
B

C

C

D

D



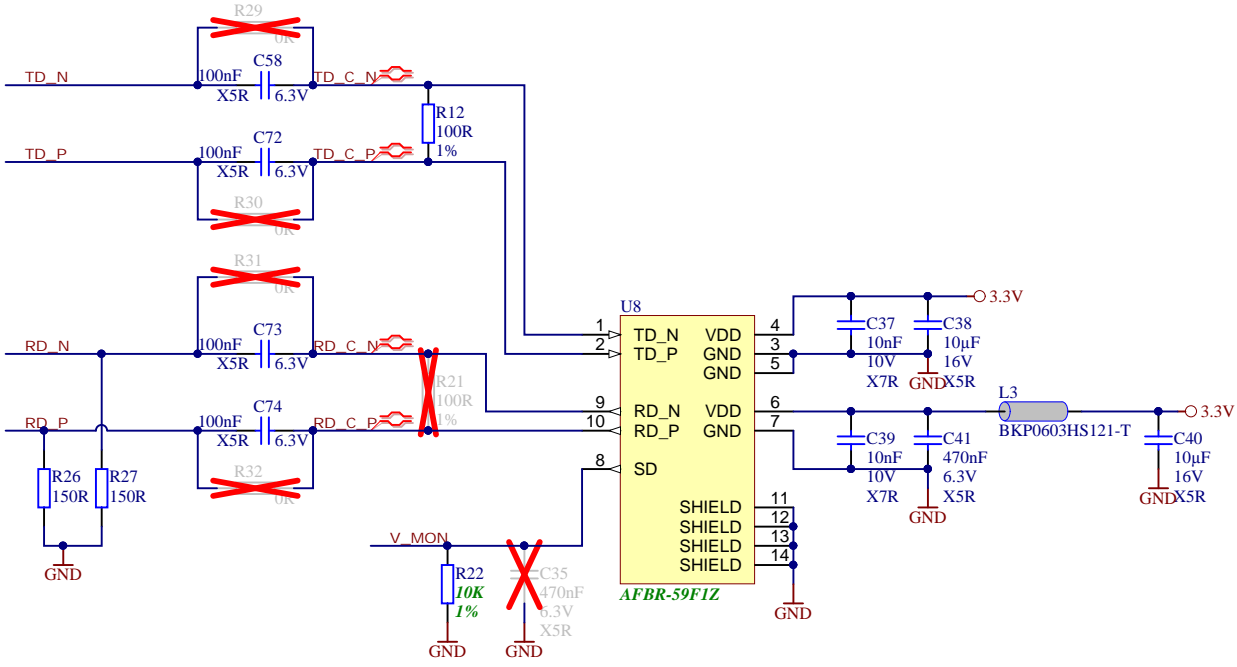
	Title: TE0725 - B2B Connectors		
	A4	Number: TE0725 TE0725-F1	Rev. 02
	Date: 2015-09-15	Copyright: Trenz Electronic GmbH / TT	Page2 of 10
	Filename: B2B_Connector.SchDoc		


1

2

3

4



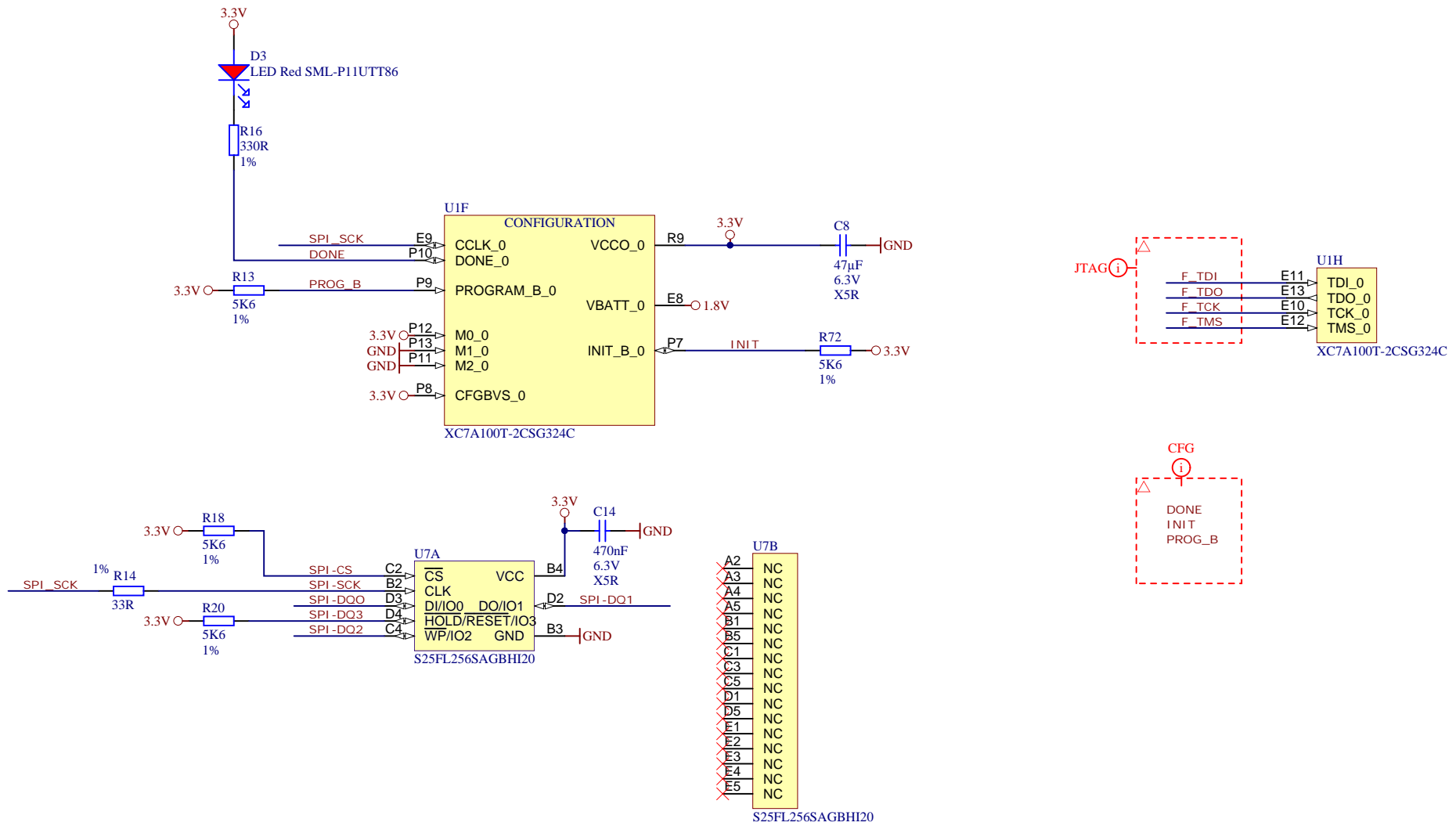
	Title: TE0725 - Optical transceiver		
	A4	Number: TE0725 TE0725-F1	Rev. 02
	Date: 2015-09-15	Copyright: Trenz Electronic GmbH / TT	Page3 of 10
	Filename: Optical_transceiver.SchDoc		


1

2

3

4



		Title: TE0725 - FPGA CFG	
		A4	Number: TE0725 TE0725-F1
Date: 2015-09-15		Copyright: Trenz Electronic GmbH / TT	
Filename: FPGA_CFG.SchDoc		Page 4 of 10	

1

2

3

4

A

A

B

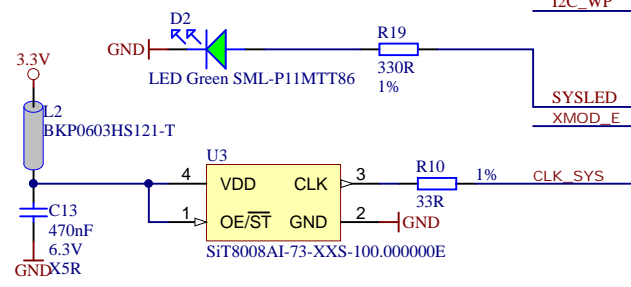
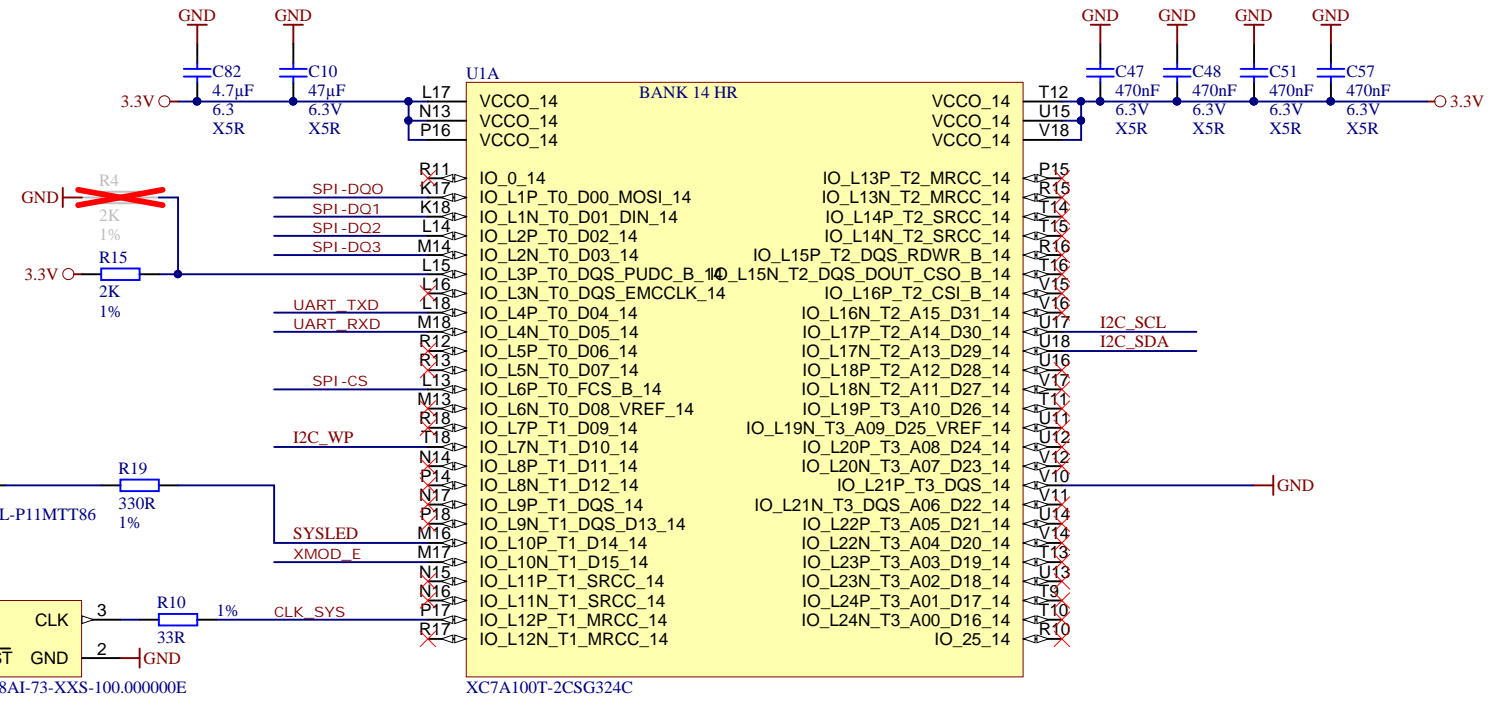
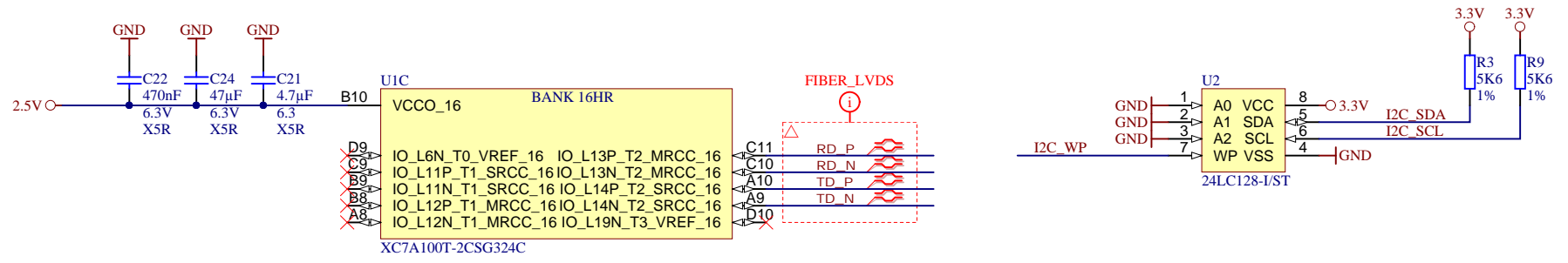
B

C

C

D

D



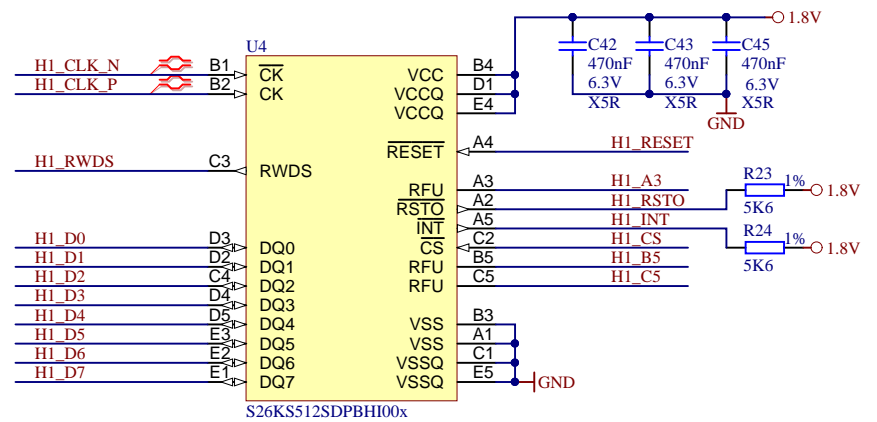
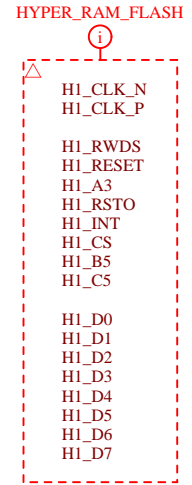
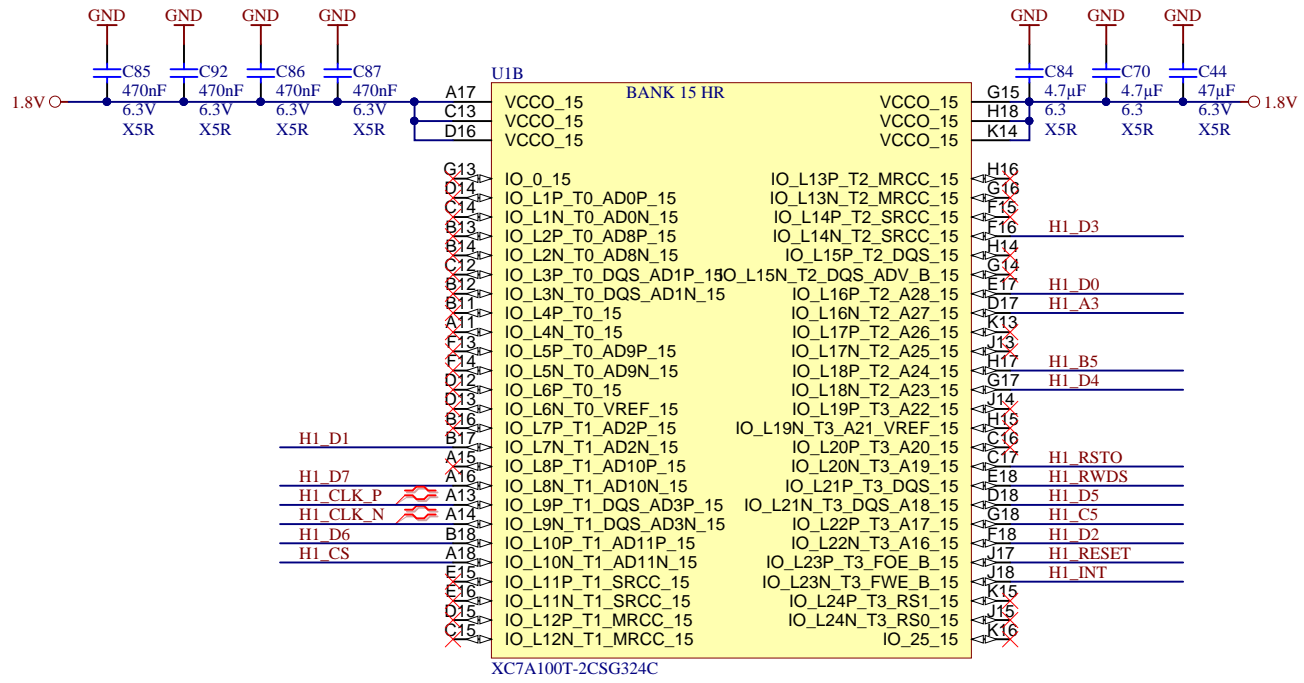
Title: <b>TE0725 - B14 &amp; B16</b>		
A4	Number: <b>TE0725 TE0725-F1</b>	Rev. <b>02</b>
Date: 2015-09-15	Copyright: Trenz Electronic GmbH / TT	Page 5 of 10
Filename: <b>B14_B16.SchDoc</b>		

1

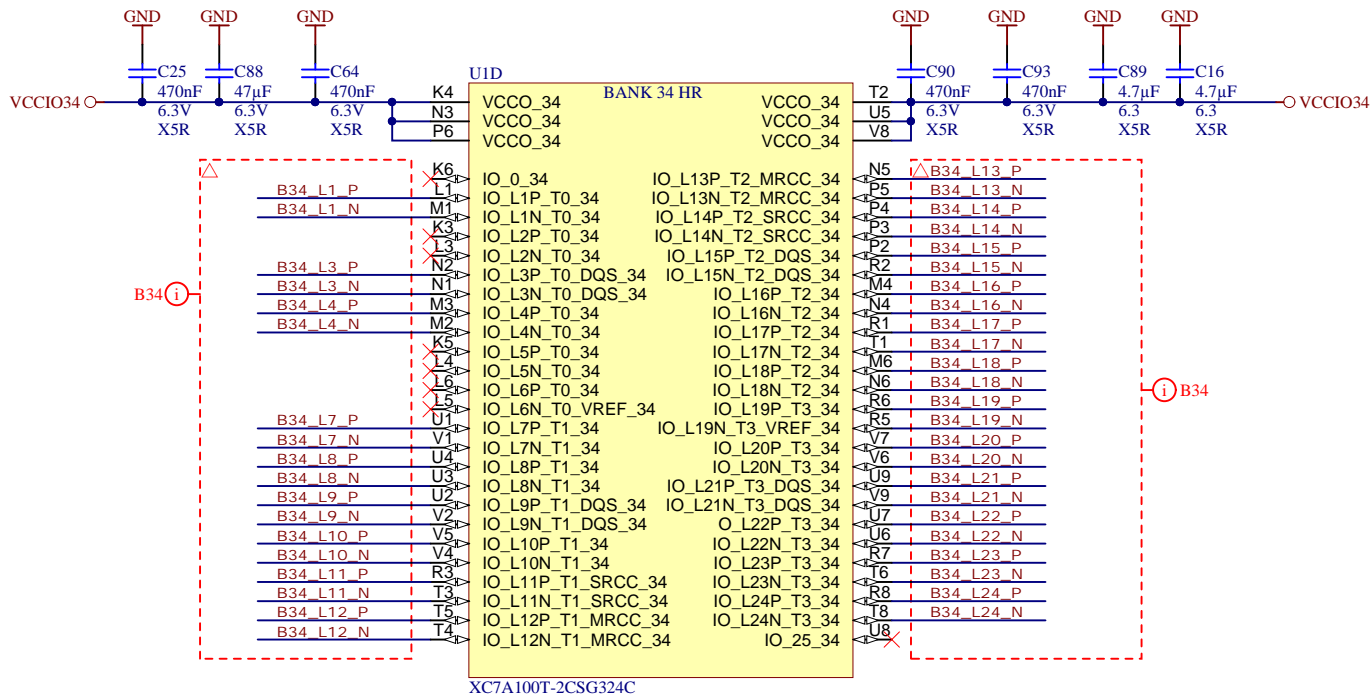
2

3

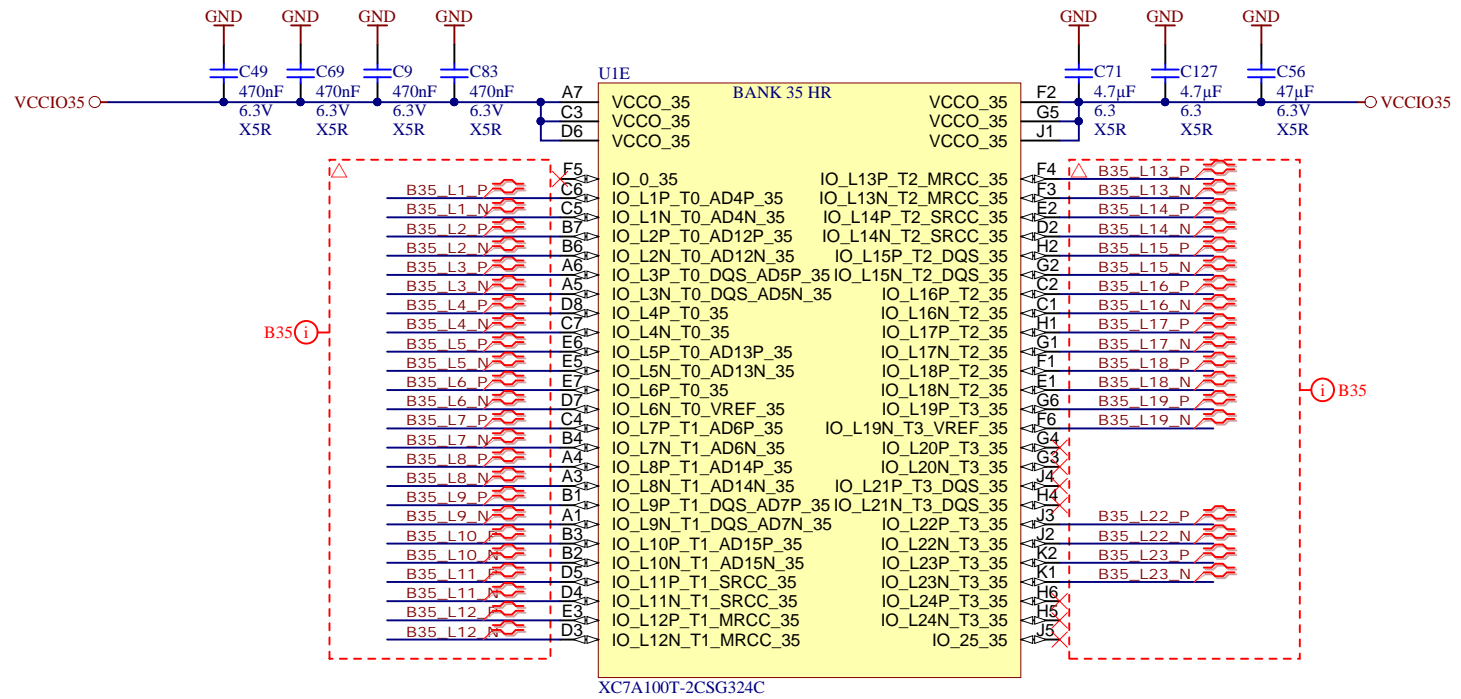
4



Title: TE0725 - B15		
A4	Number: TE0725 TE0725-F1	Rev. 02
Date: 2015-09-15	Copyright: Trenz Electronic GmbH / TT	Page6 of 10
Filename: B15.SchDoc		



Title: TE0725 - B34		
A4	Number: TE0725 TE0725-F1	Rev. 02
Date: 2015-09-15	Copyright: Trenz Electronic GmbH / TT	Page 7 of 10
Filename: B34.SchDoc		



Title: <b>TE0725 - B35</b>		
A4	Number: <b>TE0725 TE0725-F1</b>	Rev. <b>02</b>
Date: <b>2015-09-15</b>	Copyright: <b>Trenz Electronic GmbH / TT</b>	Page <b>8</b> of <b>10</b>
Filename: <b>B35.SchDoc</b>		



1

2

3

4

A

A

B

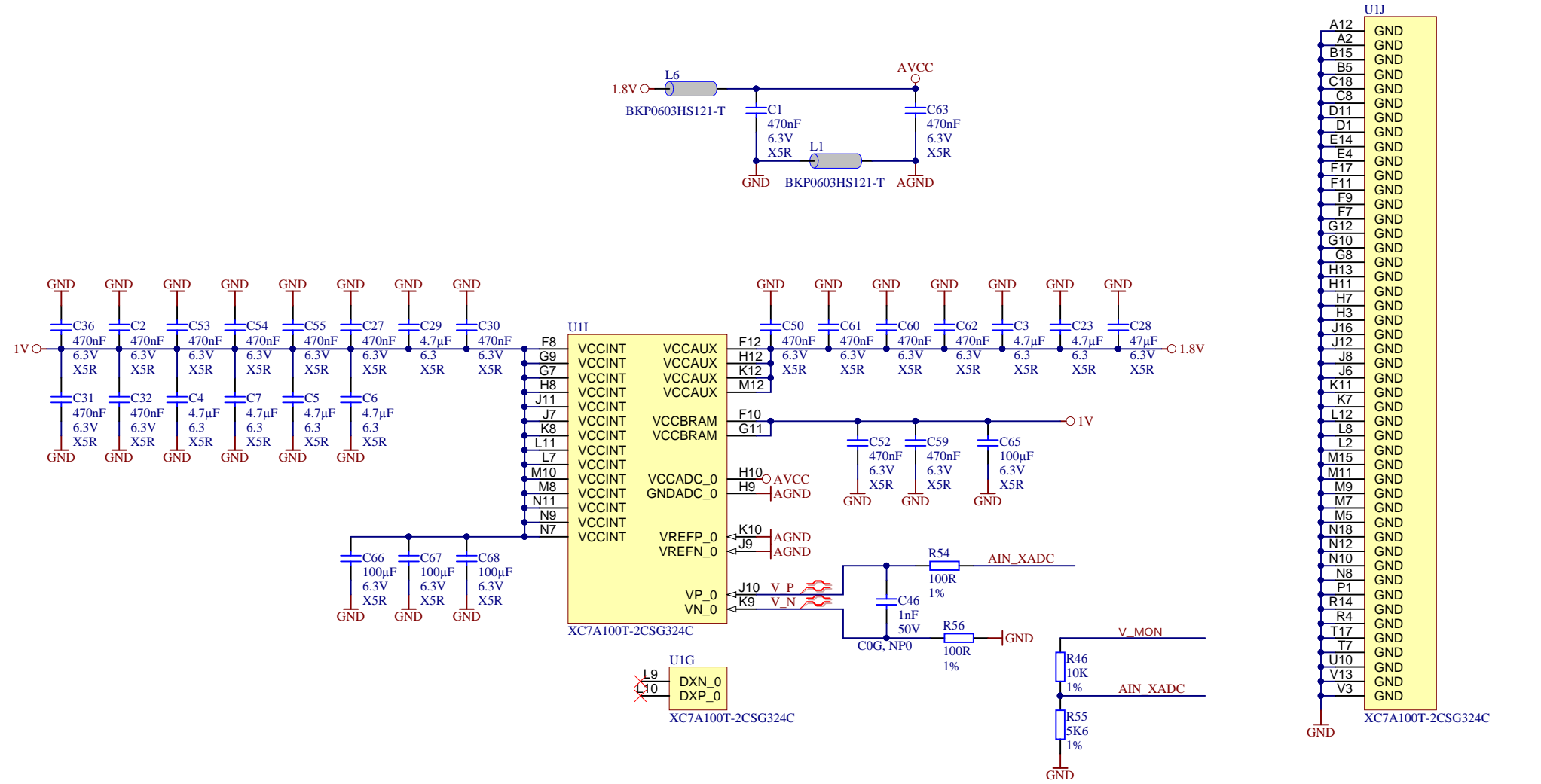

B

C

C

D

D

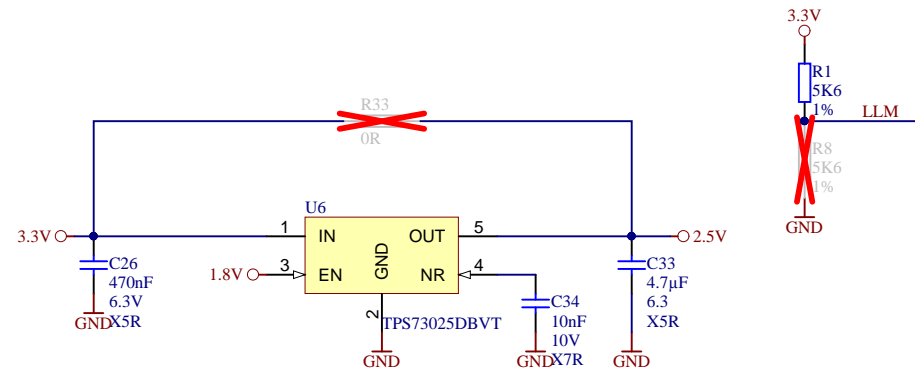
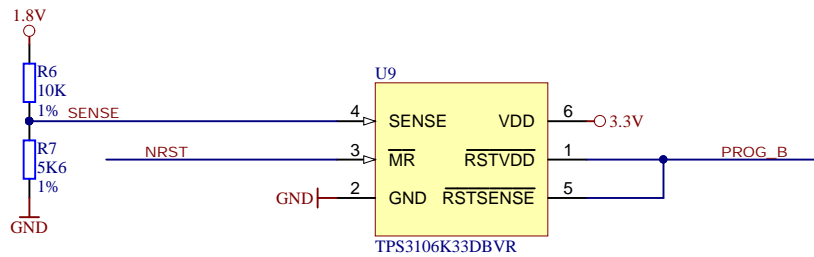
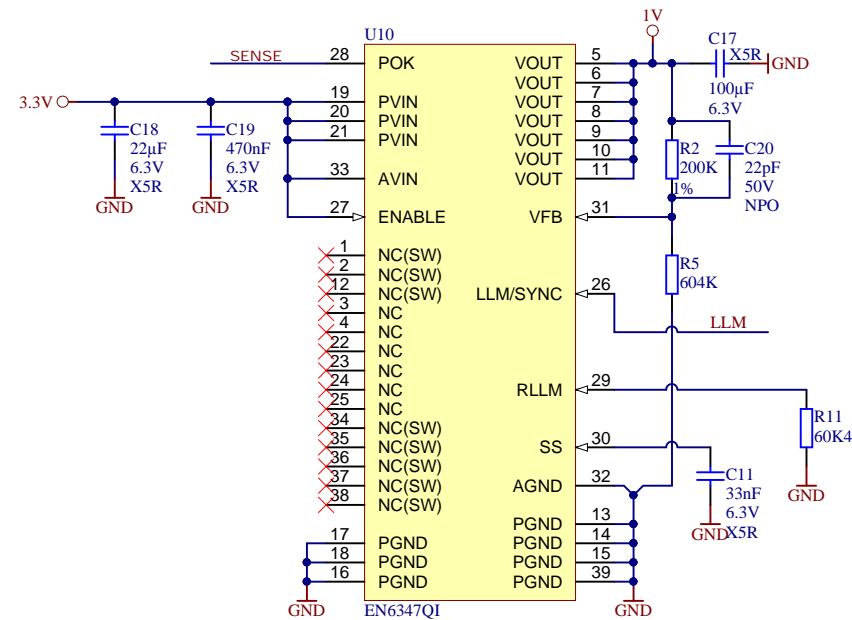
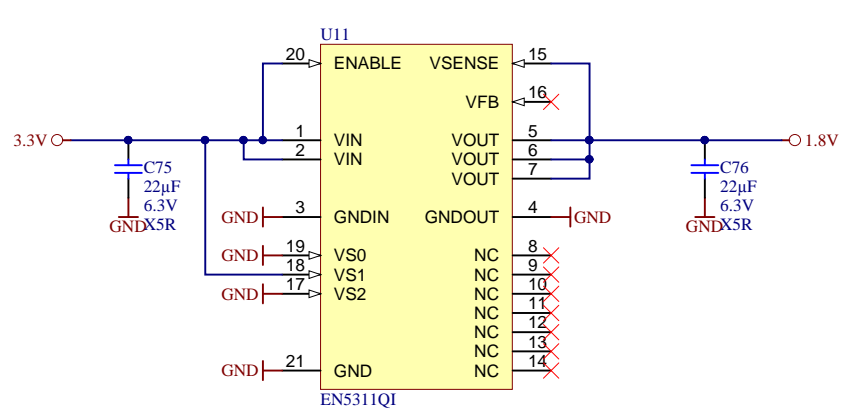
Title: TE0725 - FPGA PWR MISC		
A4	Number: TE0725 TE0725-F1	Rev. 02
Date: 2015-09-15	Copyright: Trenz Electronic GmbH / TT	Page9 of 10
Filename: FPGA_PWR_MISC.SchDoc		

1

2

3

4



Title: TE0725 - POWER		
A4	Number: TE0725 TE0725-F1	Rev. 02
Date: 2015-09-15	Copyright: Trenz Electronic GmbH	Page 10 of 10
Filename: POWER.SchDoc		