

U_FPGA_PWR_MISC
FPGA_PWR_MISC.SchDoc

U_FPGA_CFG
FPGA_CFG.SchDoc

U_B14_B16
B14_B16.SchDoc

U_B15
B15.SchDoc

U_B34
B34.SchDoc

U_B35
B35.SchDoc

U_B2B_Connector
B2B_Connector.SchDoc

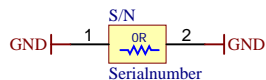
U_POWER
POWER.SchDoc

U_Optical_transceiver
Optical_transceiver.SchDoc

LOGO1

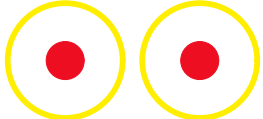
TE Logo PRINT Layer

LOGO PRINT

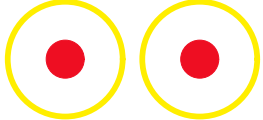


Serial
Serial
Serialnumber 6,3 x 6.3mm

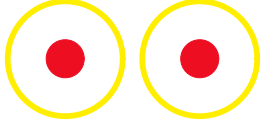
FIDU-DOT - small FIDU-DOT - small



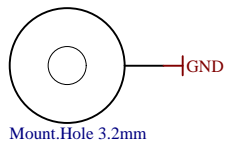
PM1 PM2
FIDU-DOT - small FIDU-DOT - small



PM4 PM5
FIDU-DOT - small FIDU-DOT - small



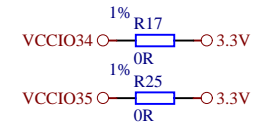
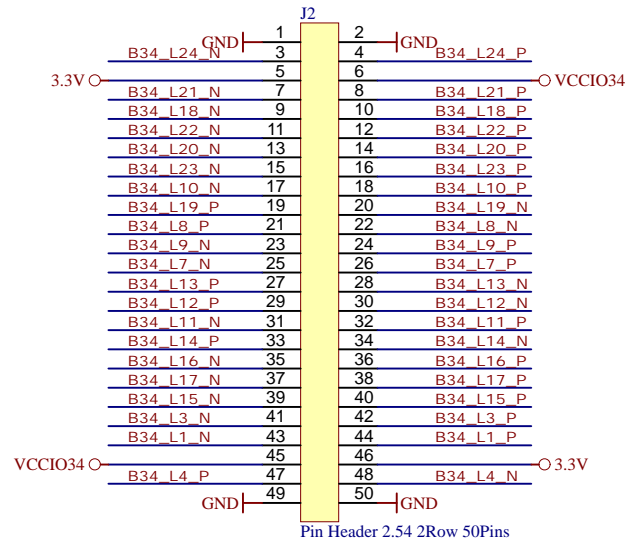
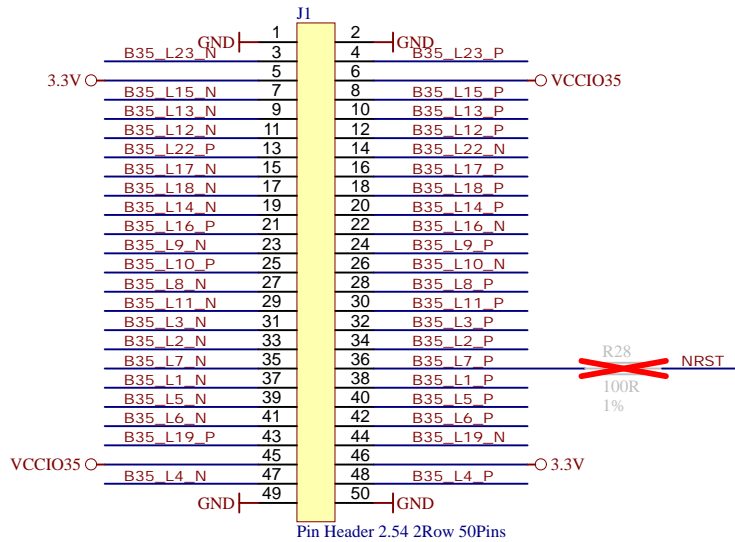
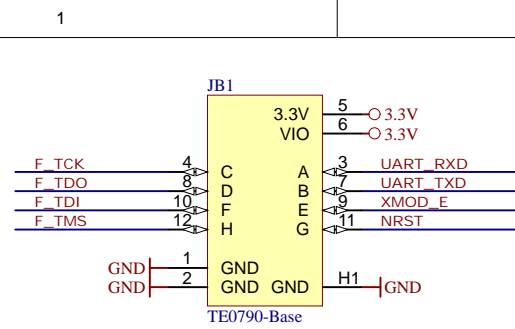
PM6 PM3



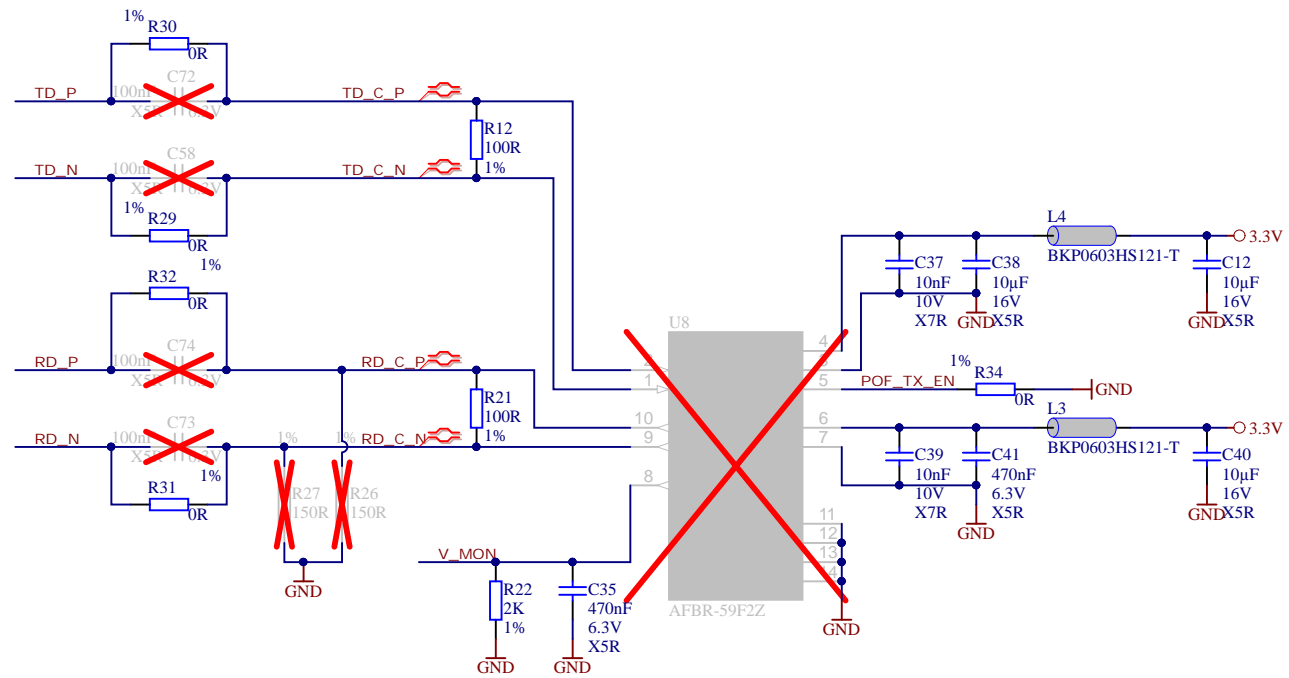
Mount.Hole 3.2mm




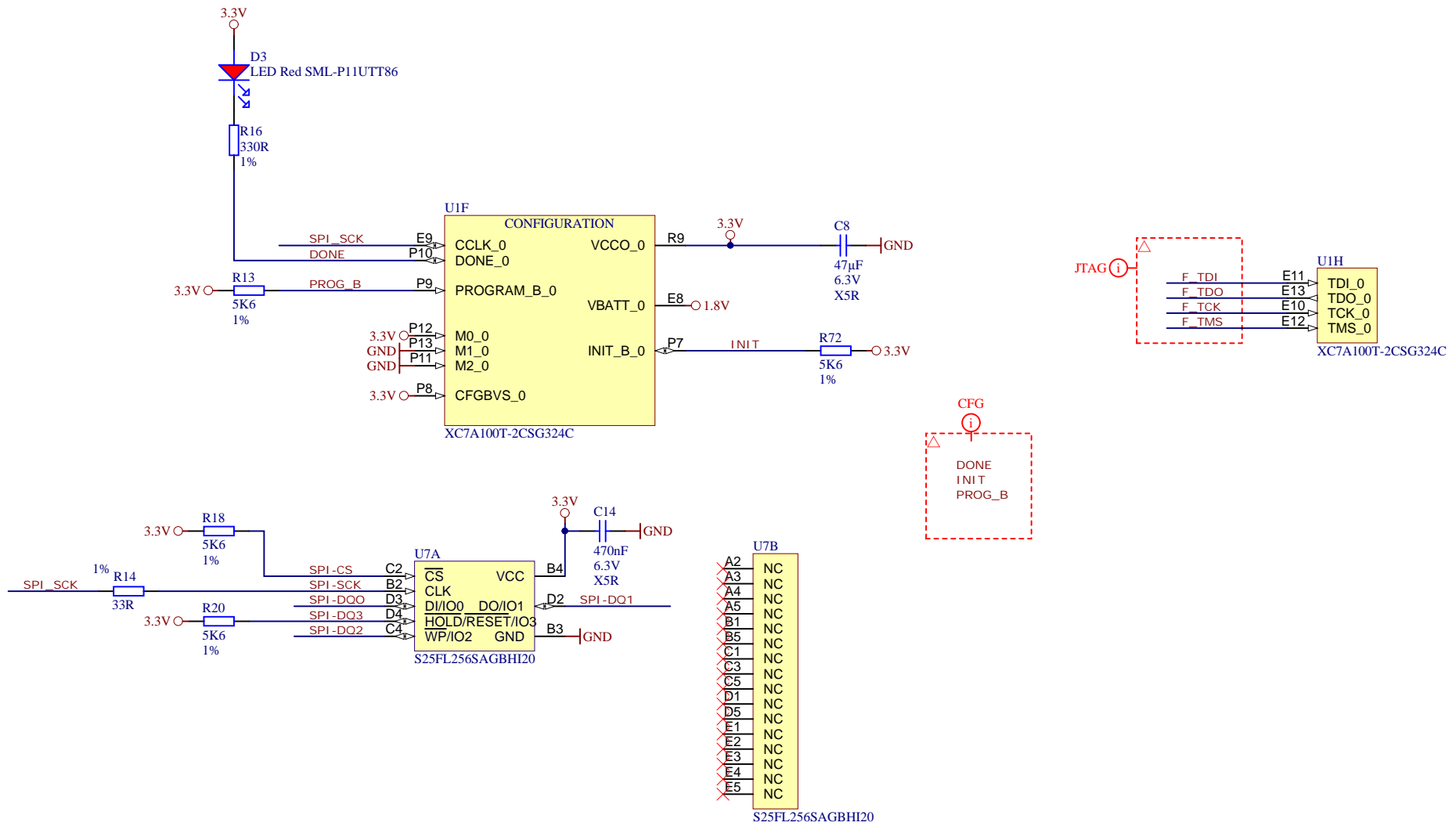
Title: TE0725 - Overview		
A4	Number: TE0725 TE0725-100-2C8	Rev. 03
Date: 2016-06-29	Copyright: Trenz Electronic GmbH / TT	Page1 of 11
Filename: TE0725.SchDoc		




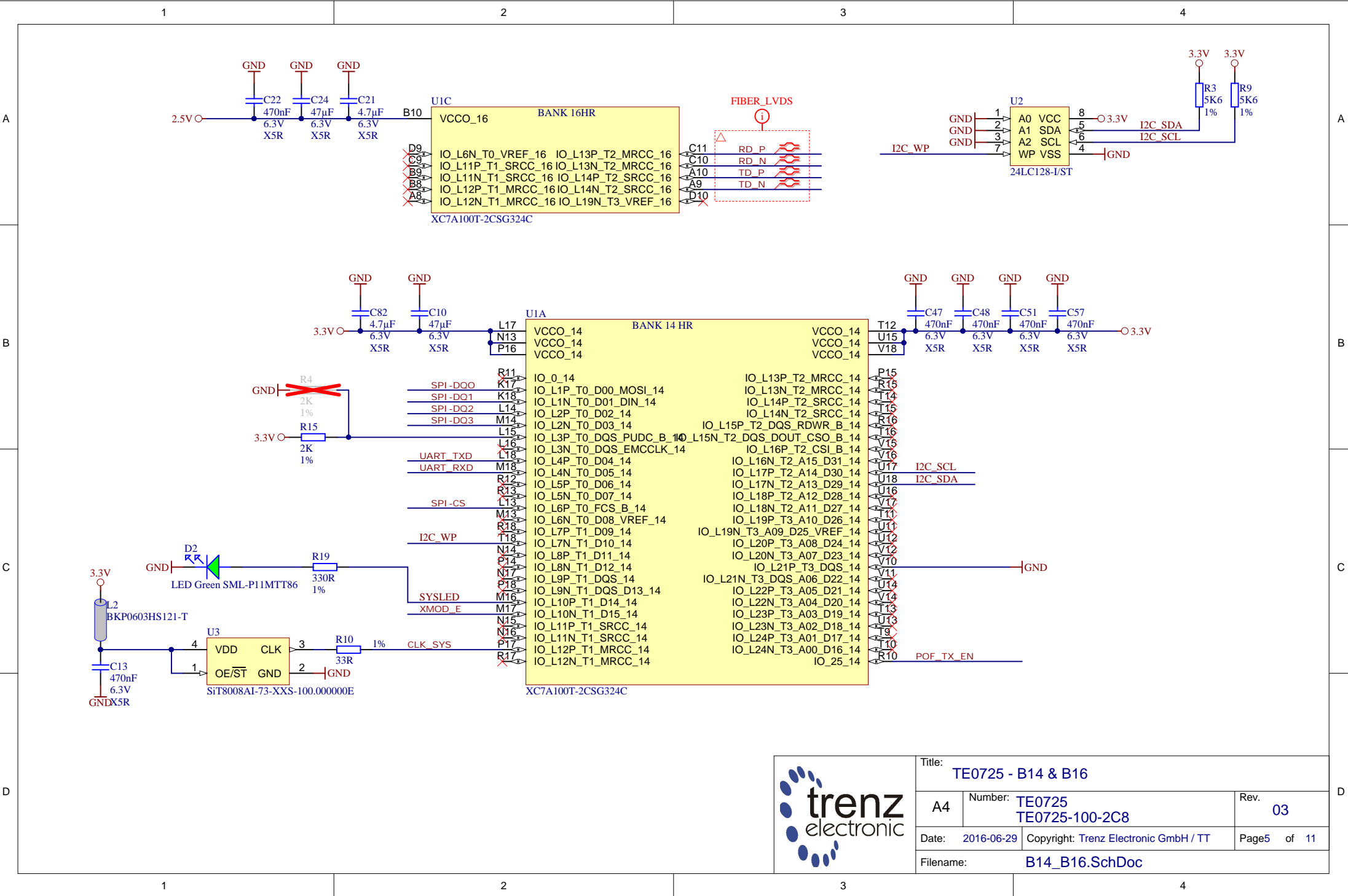
Title: TE0725 - B2B Connectors		
A4	Number: TE0725 TE0725-100-2C8	Rev. 03
Date: 2016-06-29	Copyright: Trenz Electronic GmbH / TT	Page2 of 11
Filename: B2B_Connector.SchDoc		



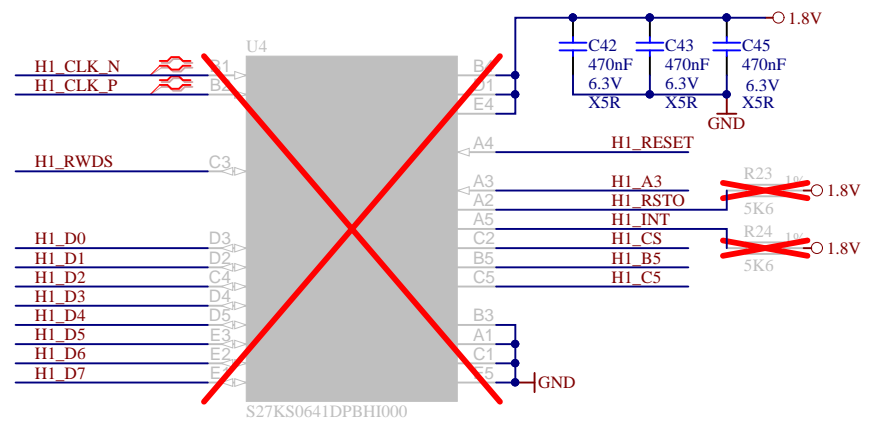
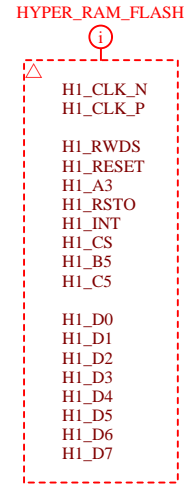
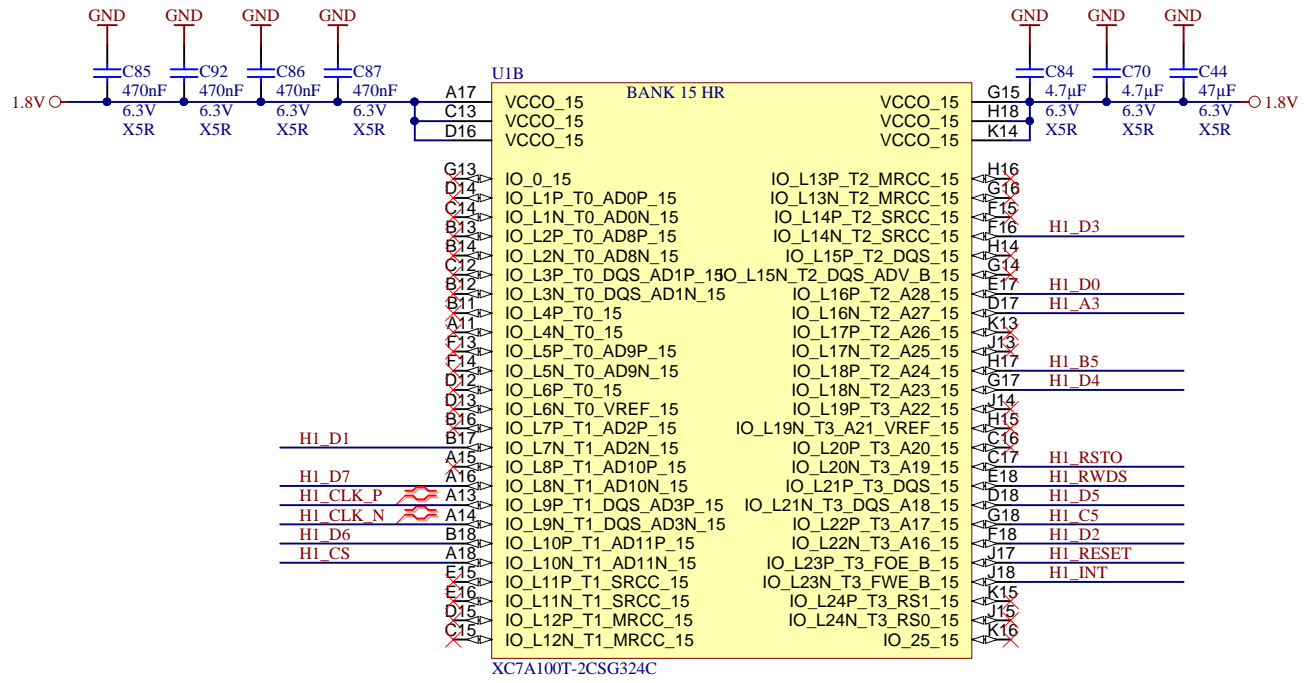
		Title: TE0725 - Optical transceiver	
		A4	Number: TE0725 TE0725-100-2C8
Date: 2016-06-29		Copyright: Trenz Electronic GmbH / TT	
Filename: Optical_transceiver.SchDoc		Page 3 of 11	



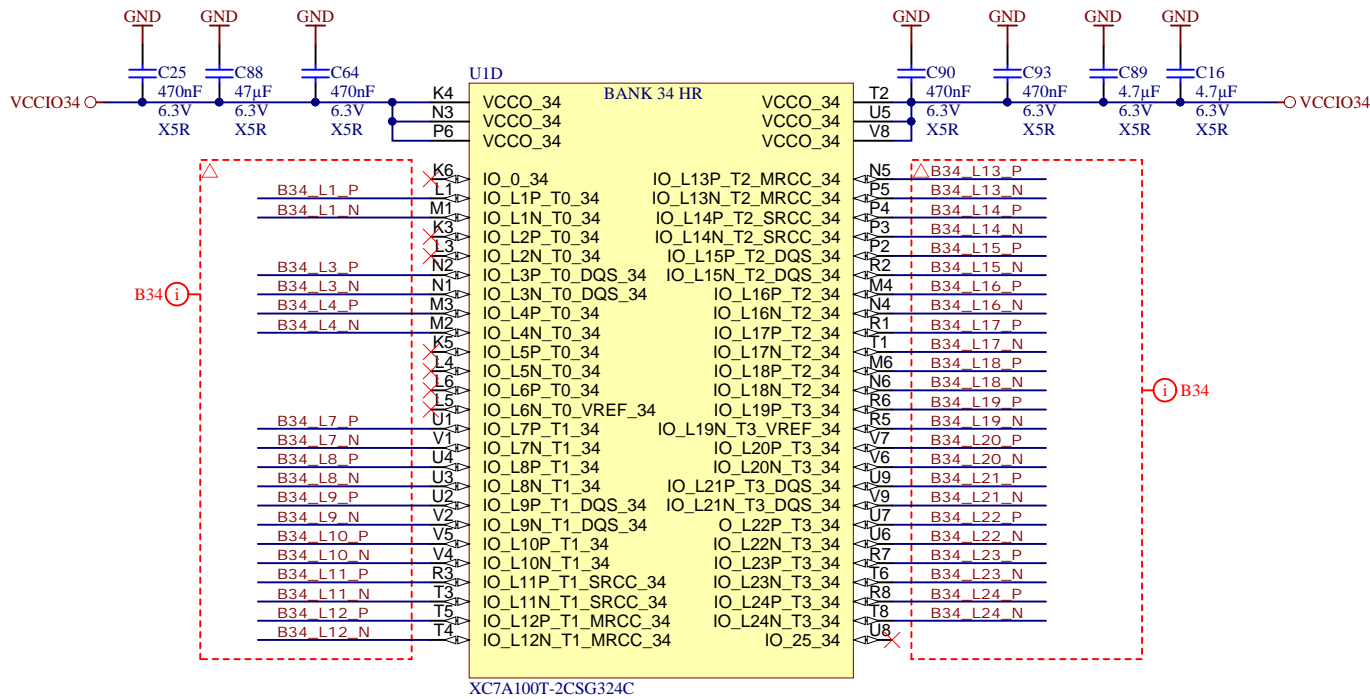
		Title: TE0725 - FPGA CFG	
		A4	Number: TE0725 TE0725-100-2C8
Date: 2016-06-29		Copyright: Trenz Electronic GmbH / TT	
Filename: FPGA_CFG.SchDoc		Page 4 of 11	



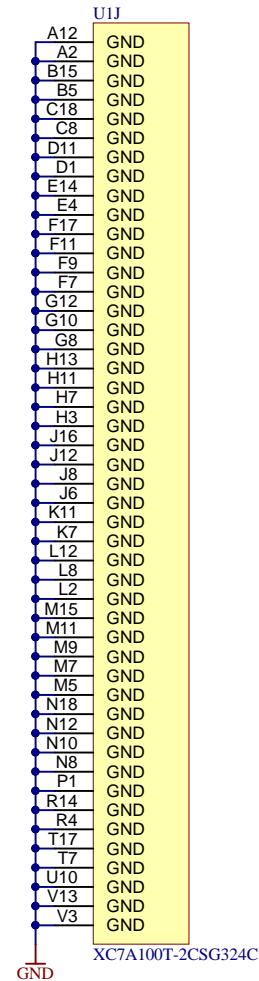
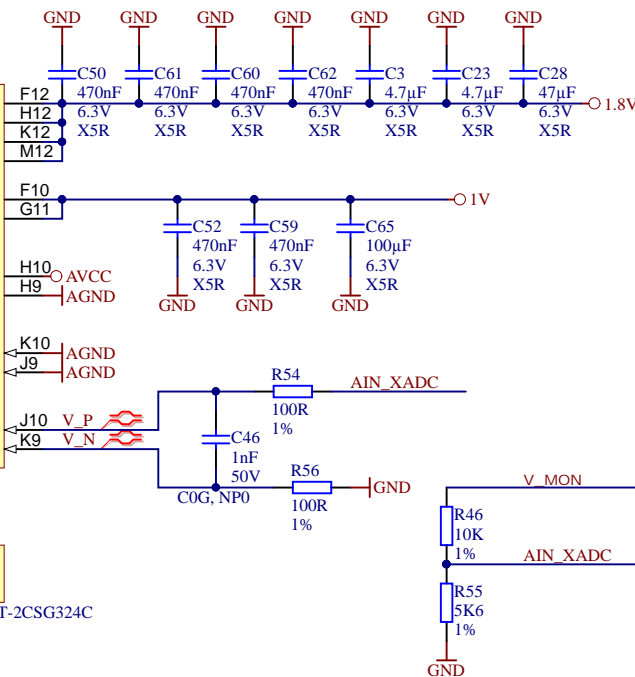
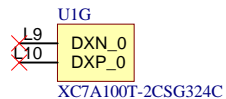
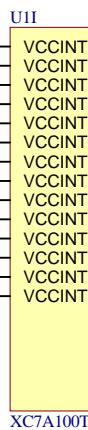
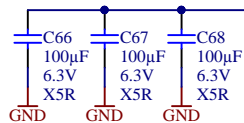
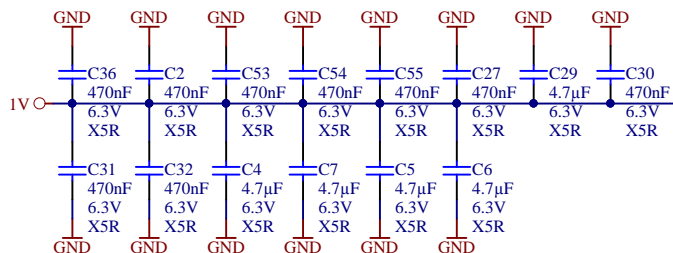
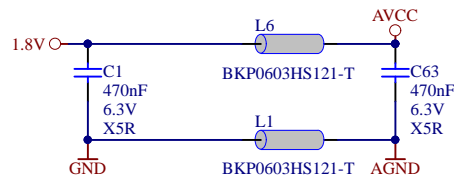
Title: TE0725 - B14 & B16		
A4	Number: TE0725 TE0725-100-2C8	Rev. 03
Date: 2016-06-29	Copyright: Trenz Electronic GmbH / TT	Page5 of 11
Filename: B14_B16.SchDoc		



Title: TE0725 - B15		
A4	Number: TE0725 TE0725-100-2C8	Rev. 03
Date: 2016-06-29	Copyright: Trenz Electronic GmbH / TT	Page 6 of 11
Filename: B15.SchDoc		



Title: TE0725 - B34		
A4	Number: TE0725 TE0725-100-2C8	Rev. 03
Date: 2016-06-29	Copyright: Trenz Electronic GmbH / TT	Page 7 of 11
Filename: B34.SchDoc		



	Title: TE0725 - FPGA PWR MISC	
	A4	Number: TE0725 TE0725-100-2C8
	Date: 2016-06-29	Copyright: Trenz Electronic GmbH / TT
	Filename: FPGA_PWR_MISC.SchDoc	Page9 of 11

1

2

3

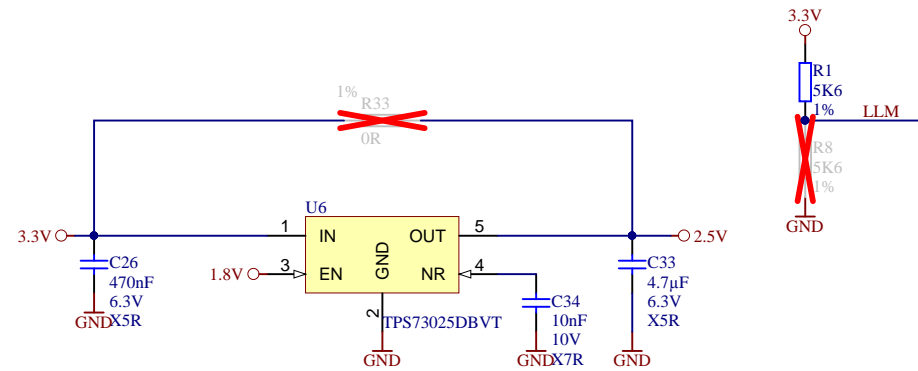
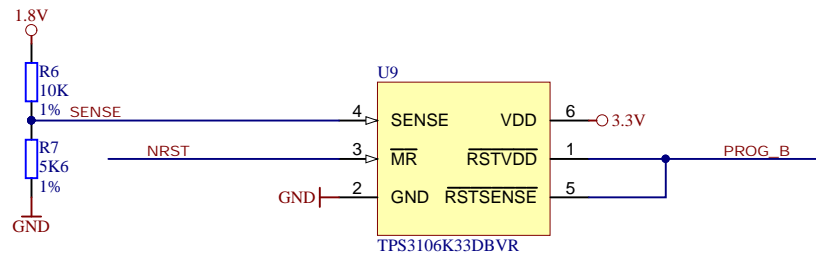
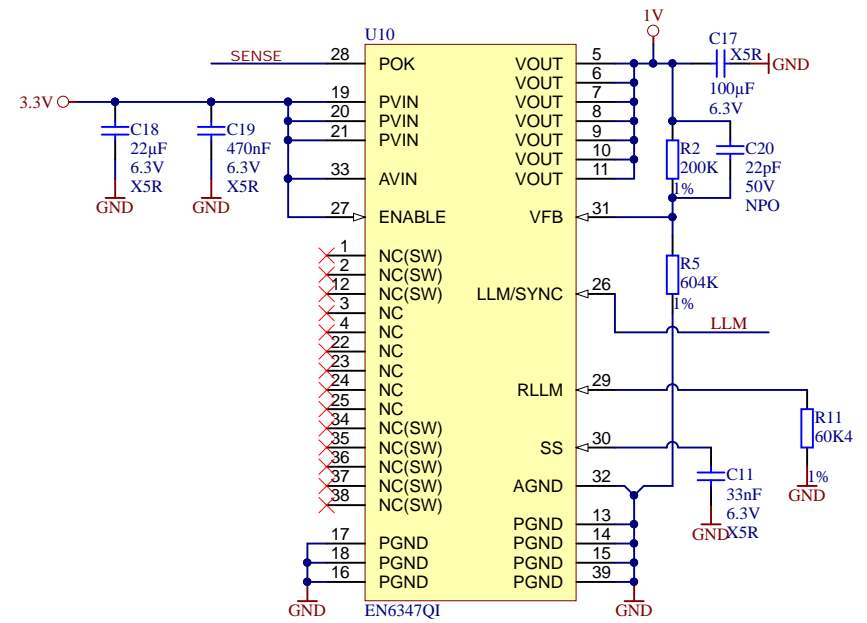
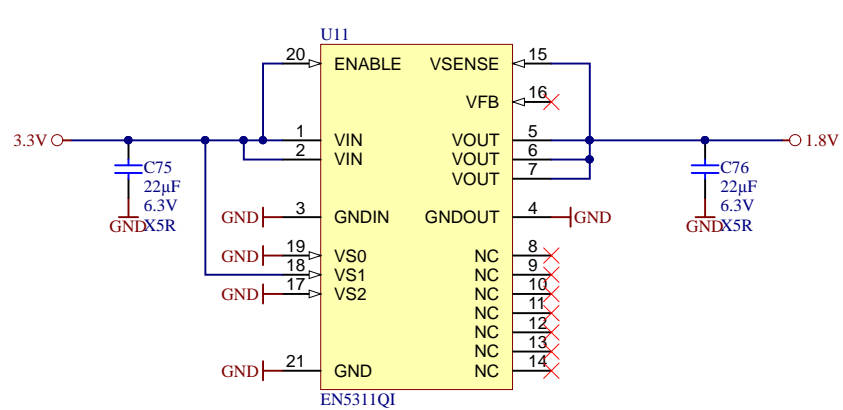
4

1

2

3

4



Title: TE0725 - POWER		
A4	Number: TE0725 TE0725-100-2C8	Rev. 03
Date: 2016-06-29	Copyright: Trenz Electronic GmbH	Page 10 of 11
Filename: POWER.SchDoc		

1

2

3

4

CHANGES REV02 to REV03

- 1) fixed LVPECL termination for 125MBit modules
- 2) fixed wrong XADC decoupling capacitors
- 3) added serial number (traceability pad)
- 4) added thermal vias to mounting holes

A

A

B

B

C

C

D

D



Title: TE0725 - Changes list			
A4	Number: TE0706 TE0725-100-2C8	Rev. 03	
Date: 2016-06-29	Copyright: Trenz Electronic GmbH	Page 11 of 11	
Filename: Revision_Changes.SchDoc			

1

2

3

4