

U_FPGA_PWR_MISC
FPGA_PWR_MISC.SchDoc

U_FPGA_CFG
FPGA_CFG.SchDoc

U_B14_B16
B14_B16.SchDoc

U_B15
B15.SchDoc

U_B34
B34.SchDoc

U_B35
B35.SchDoc

U_B2B_Connector
B2B_Connector.SchDoc

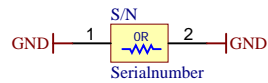
U_POWER
POWER.SchDoc

U_Optical_transceiver
Optical_transceiver.SchDoc

LOGO1

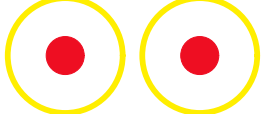
TE Logo PRINT Layer

LOGO PRINT

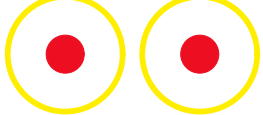


Serial
Serial
Serialnumber 6,3 x 6.3mm

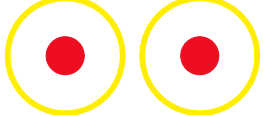
FIDU-DOT - small FIDU-DOT - small



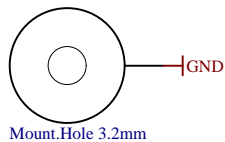
PM1 PM2
FIDU-DOT - small FIDU-DOT - small



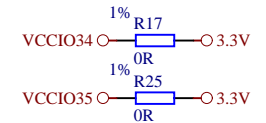
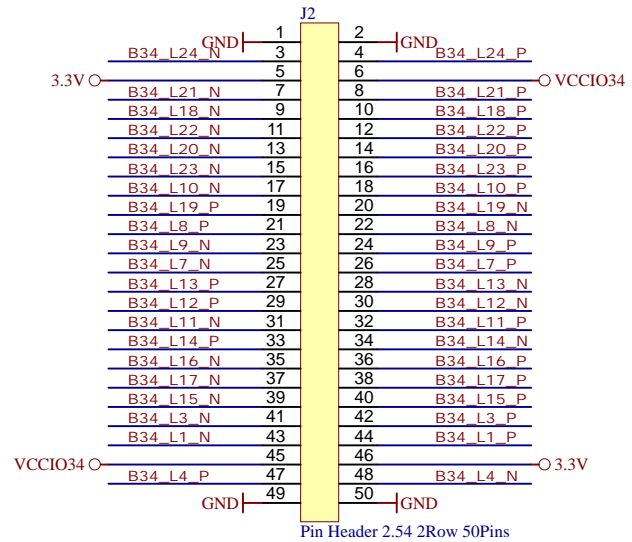
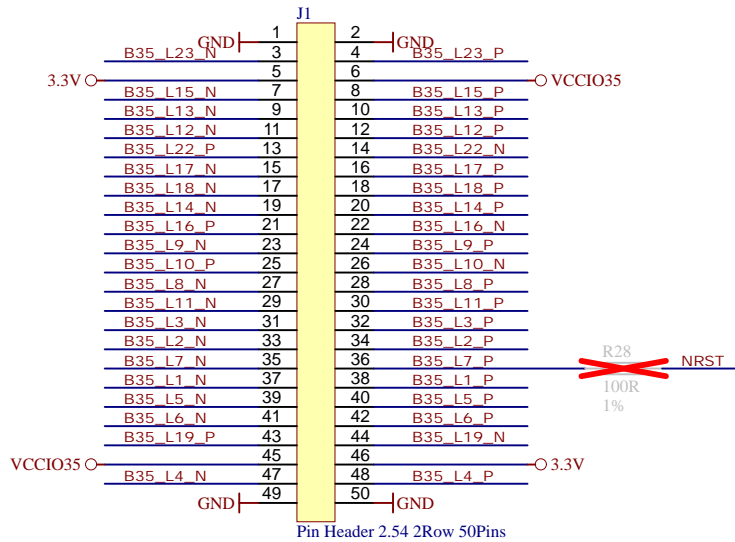
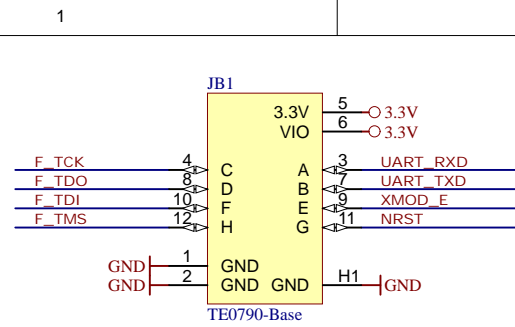
PM4 PM5
FIDU-DOT - small FIDU-DOT - small



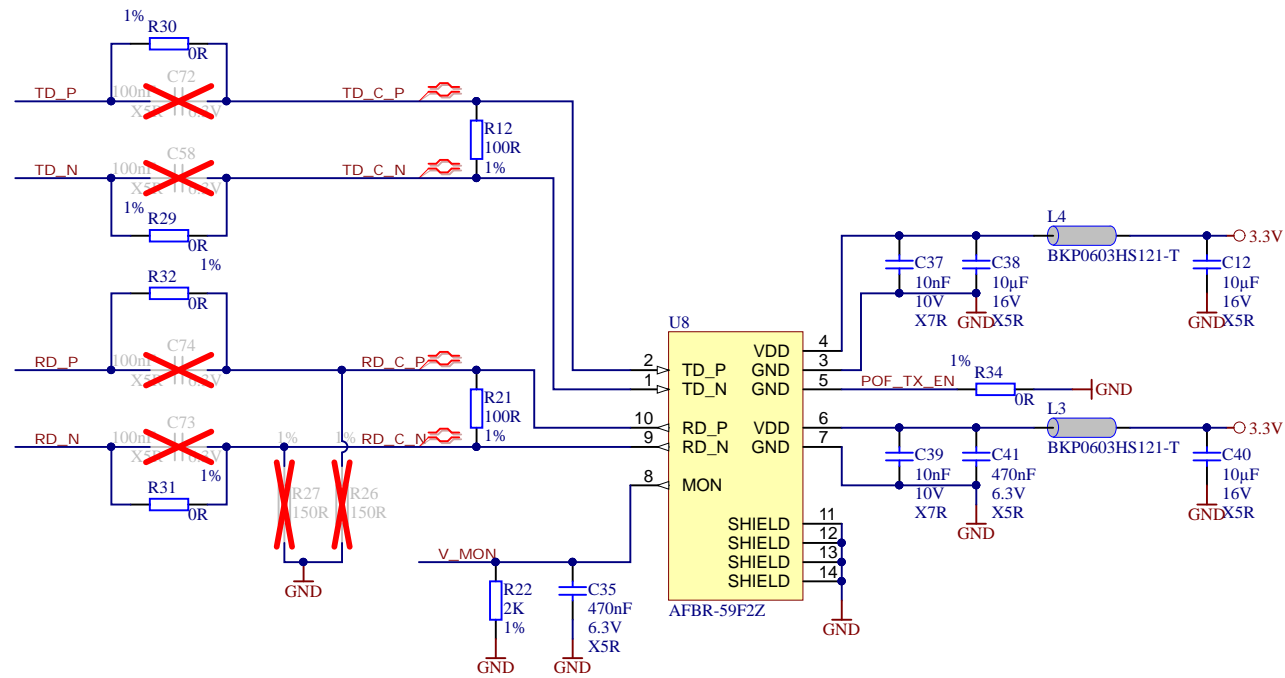
PM6 PM3




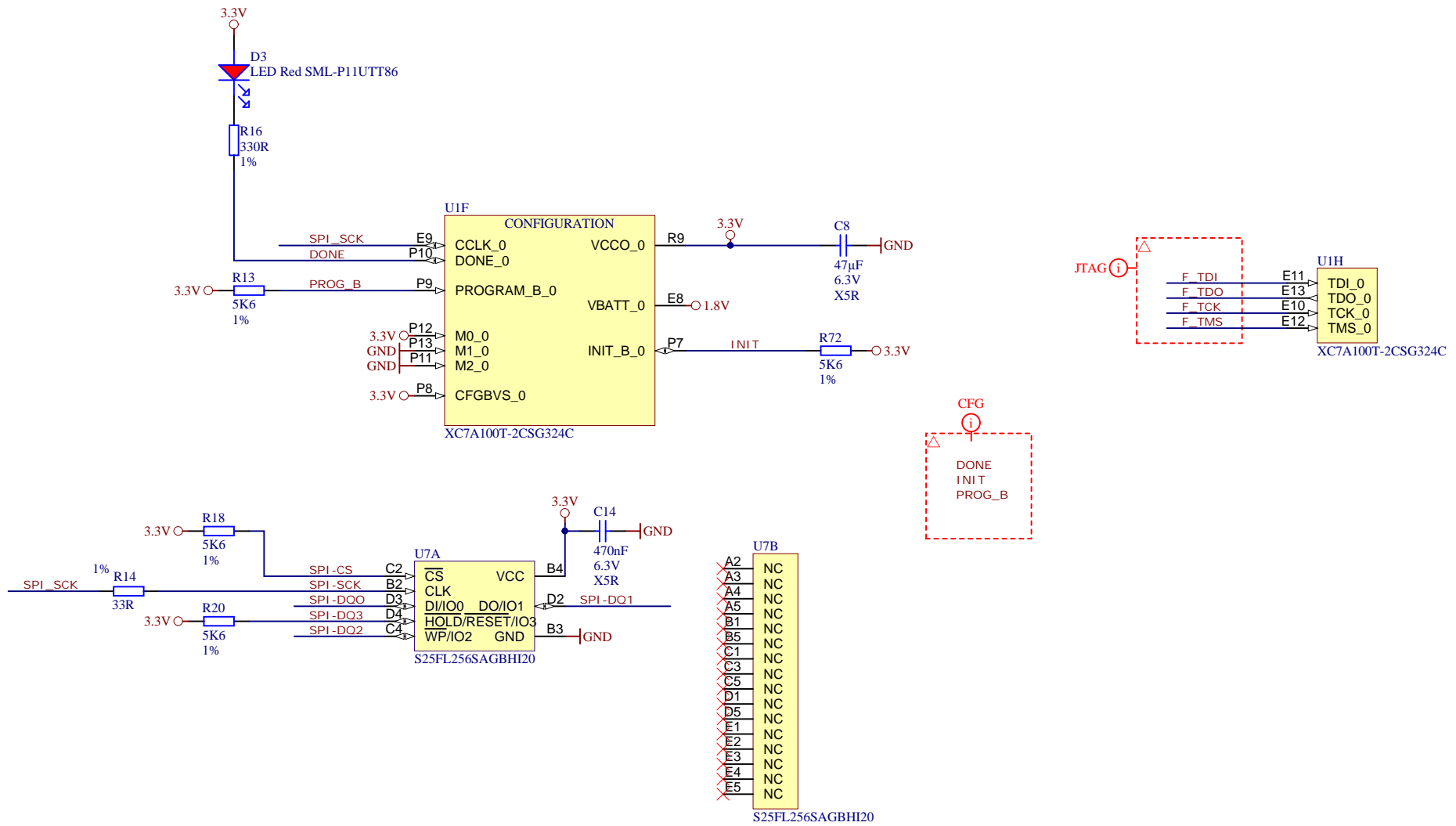
Title: TE0725 - Overview		
A4	Number: TE0725 TE0725-100-2CF	Rev. 03
Date: 2016-06-29	Copyright: Trenz Electronic GmbH / TT	Page1 of 11
Filename: TE0725.SchDoc		




		Title: TE0725 - B2B Connectors	
		A4	Number: TE0725 TE0725-100-2CF
Date: 2016-06-29		Copyright: Trenz Electronic GmbH / TT	
Filename: B2B_Connector.SchDoc		Page2 of 11	



		Title: TE0725 - Optical transceiver	
		A4	Number: TE0725 TE0725-100-2CF
Date: 2016-06-29		Copyright: Trenz Electronic GmbH / TT	
Filename: Optical_transceiver.SchDoc		Page 3 of 11	



		Title: TE0725 - FPGA CFG	
		A4	Number: TE0725 TE0725-100-2CF
Date: 2016-06-29		Copyright: Trenz Electronic GmbH / TT	
Filename: FPGA_CFG.SchDoc		Page 4 of 11	

1

2

3

4

A

A

B

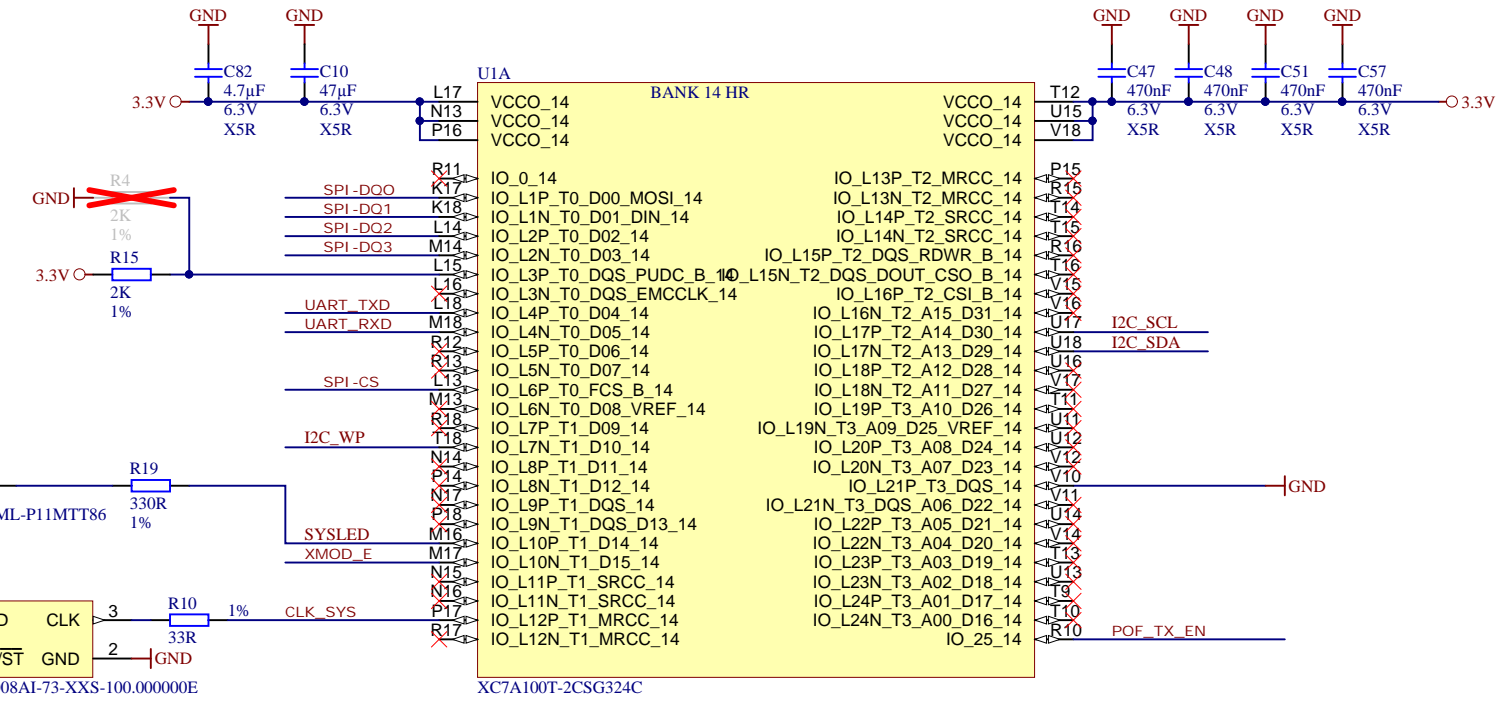
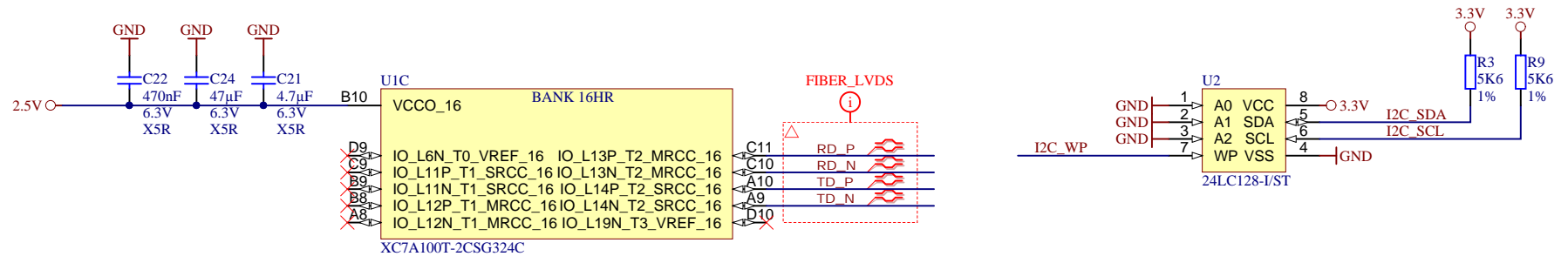
B

C

C

D

D



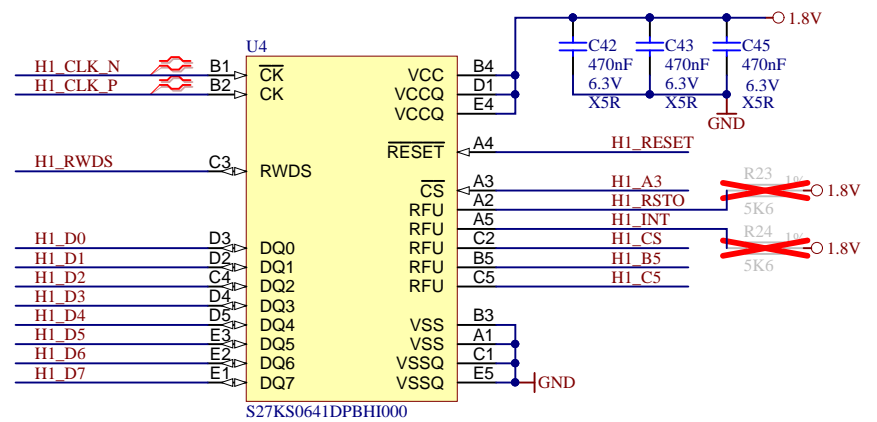
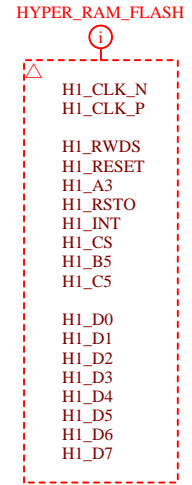
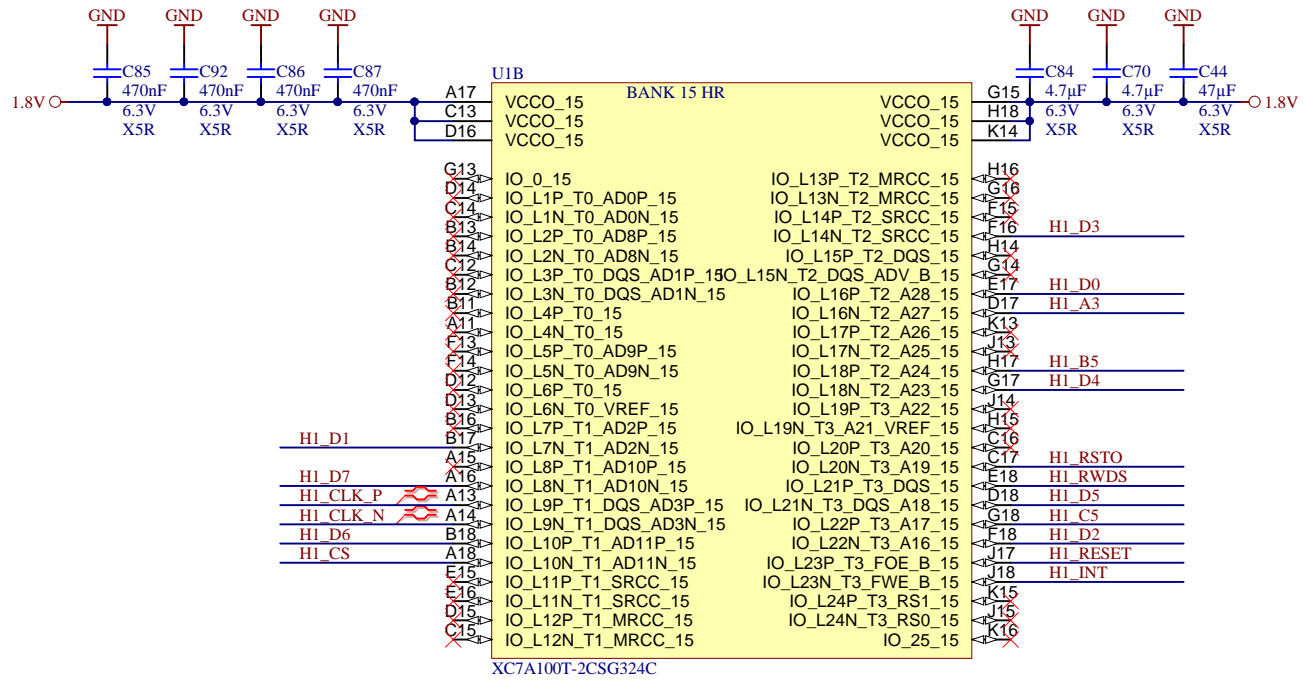
Title: TE0725 - B14 & B16		
A4	Number: TE0725 TE0725-100-2CF	Rev. 03
Date: 2016-06-29	Copyright: Trenz Electronic GmbH / TT	Page5 of 11
Filename: B14_B16.SchDoc		

1

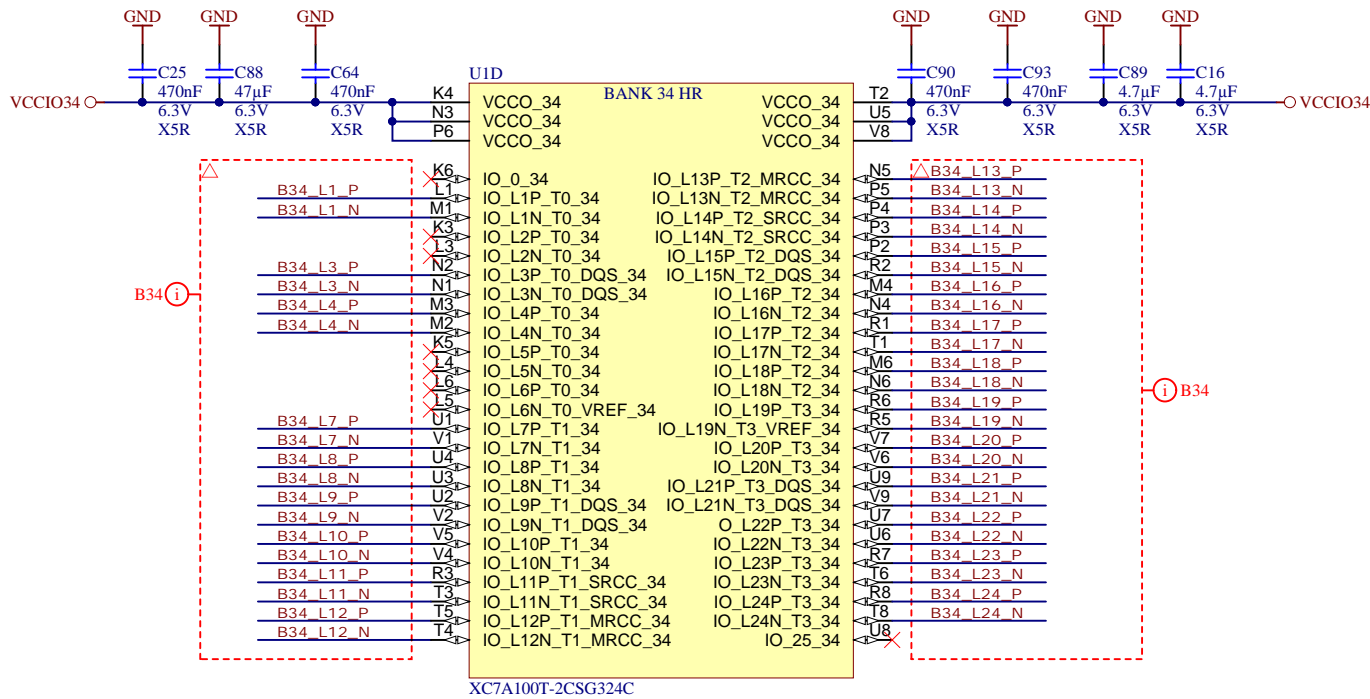
2

3

4



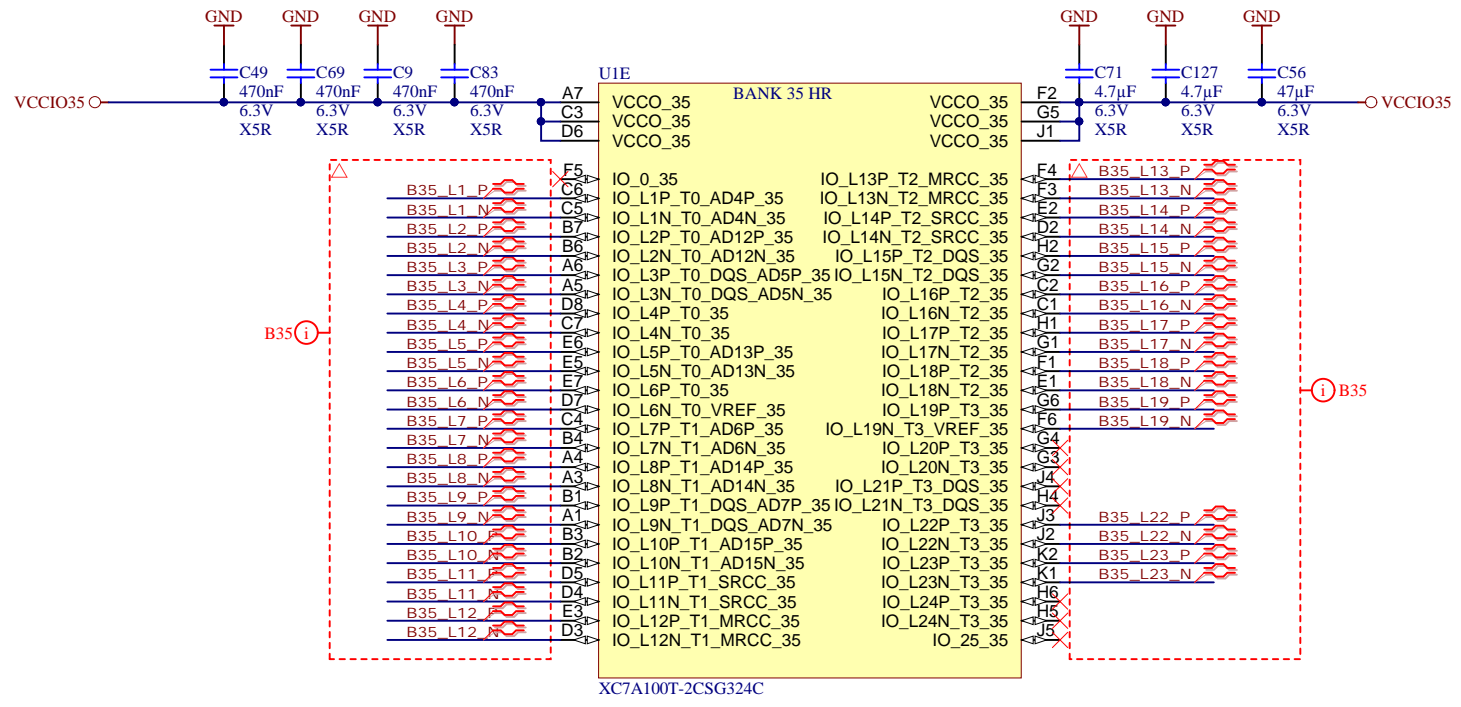
Title: TE0725 - B15		
A4	Number: TE0725 TE0725-100-2CF	Rev. 03
Date: 2016-06-29	Copyright: Trenz Electronic GmbH / TT	Page6 of 11
Filename: B15.SchDoc		



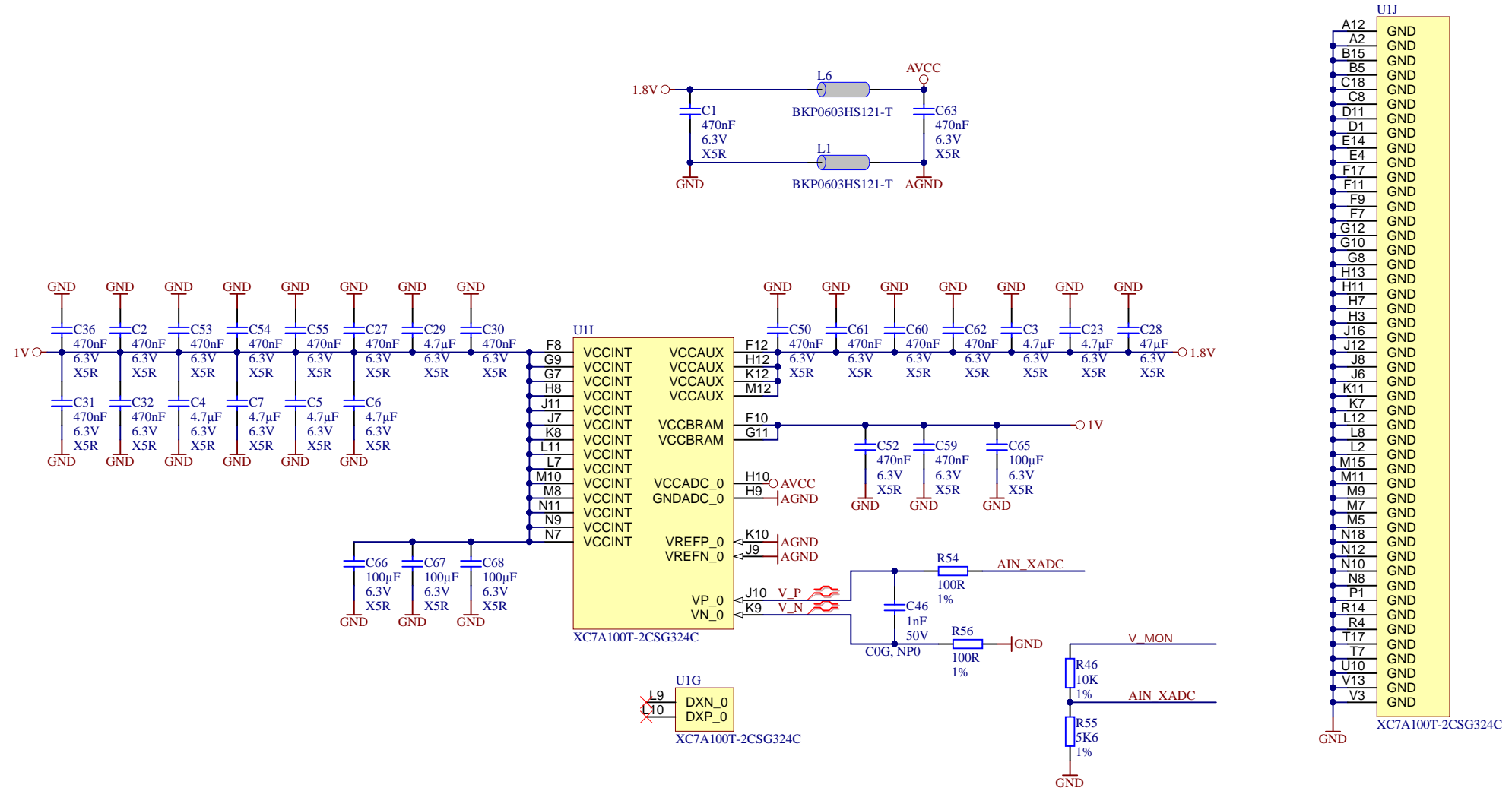
XC7A100T-2CSG324C



Title: TE0725 - B34		
A4	Number: TE0725 TE0725-100-2CF	Rev. 03
Date: 2016-06-29	Copyright: Trenz Electronic GmbH / TT	Page 7 of 11
Filename: B34.SchDoc		



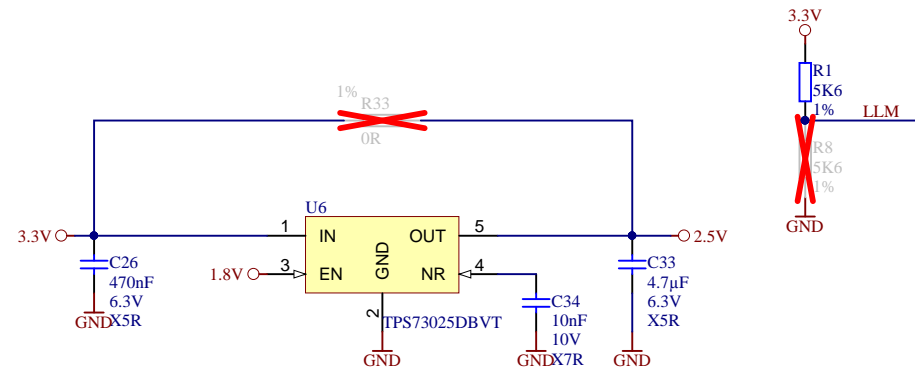
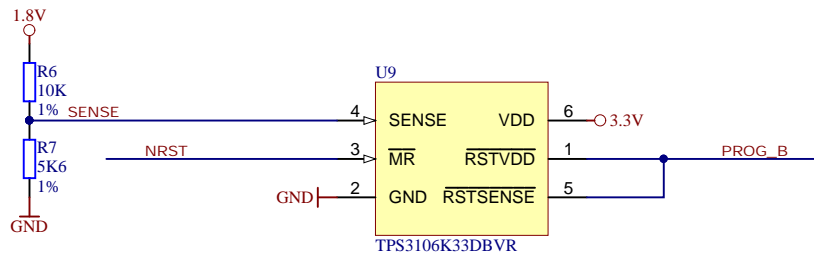
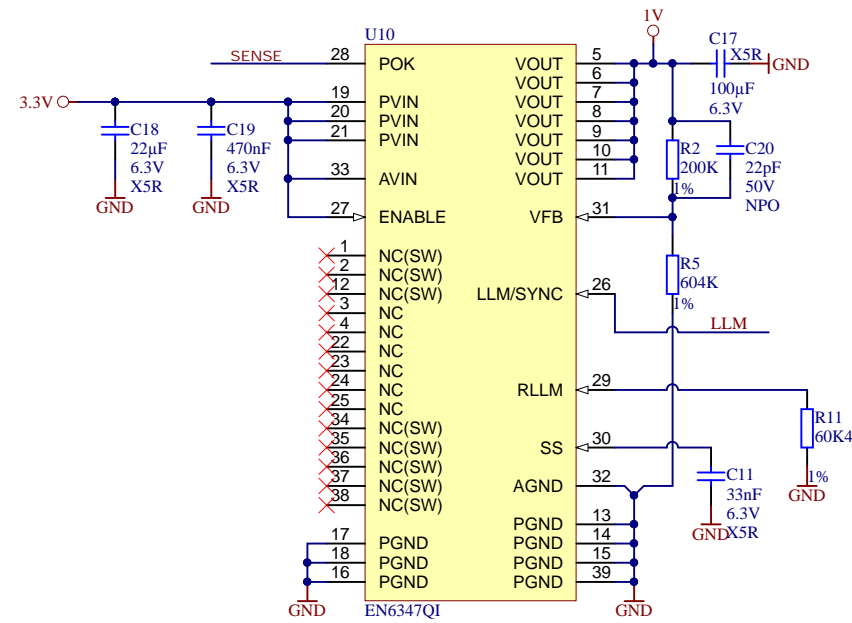
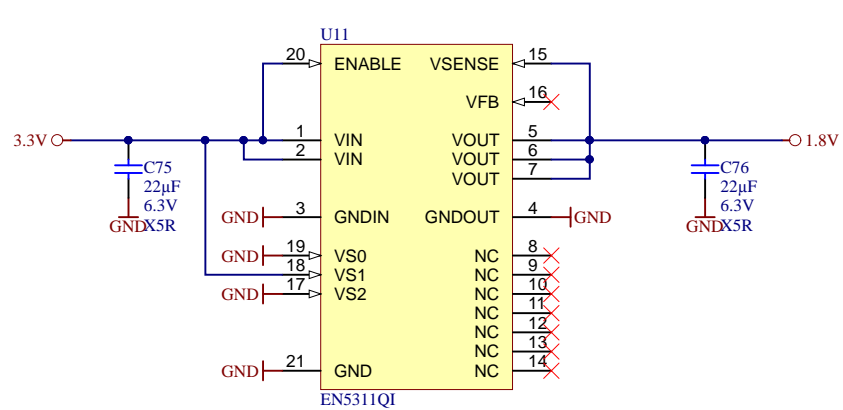
Title: TE0725 - B35		
A4	Number: TE0725 TE0725-100-2CF	Rev. 03
Date: 2016-06-29	Copyright: Trenz Electronic GmbH / TT	Page 8 of 11
Filename: B35.SchDoc		




U1J

A12	GND
A2	GND
B15	GND
B5	GND
C18	GND
C8	GND
D11	GND
D1	GND
E14	GND
E4	GND
F17	GND
F11	GND
F9	GND
F7	GND
G12	GND
G10	GND
G8	GND
H13	GND
H11	GND
H7	GND
H3	GND
J16	GND
J12	GND
J8	GND
J6	GND
K11	GND
K7	GND
L12	GND
L8	GND
L2	GND
M15	GND
M11	GND
M9	GND
M7	GND
M5	GND
N18	GND
N12	GND
N10	GND
N8	GND
P1	GND
R14	GND
R4	GND
T17	GND
T7	GND
U10	GND
V13	GND
V3	GND

	Title: TE0725 - FPGA PWR MISC	
	A4	Number: TE0725 TE0725-100-2CF
	Date: 2016-06-29	Copyright: Trenz Electronic GmbH / TT
	Filename: FPGA_PWR_MISC.SchDoc	Rev. 03 Page9 of 11



		Title: TE0725 - POWER	
		A4	Number: TE0725 TE0725-100-2CF
Date: 2016-06-29		Copyright: Trenz Electronic GmbH	
Filename: POWER.SchDoc		Page 10 of 11	

1

2

3

4

CHANGES REV02 to REV03

- 1) fixed LVPECL termination for 125MBit modules
- 2) fixed wrong XADC decoupling capacitors
- 3) added serial number (traceability pad)
- 4) added thermal vias to mounting holes

A

A

B

B

C

C

D

D



Title: TE0725 - Changes list		
A4	Number: TE0706 TE0725-100-2CF	Rev. 03
Date: 2016-06-29	Copyright: Trenz Electronic GmbH	Page 11 of 11
Filename: Revision_Changes.SchDoc		

1

2

3

4