

U_FPGA_PWR_MISC
FPGA_PWR_MISC.SchDoc

U_FPGA_CFG
FPGA_CFG.SchDoc

U_B14_B16
B14_B16.SchDoc

U_B15
B15.SchDoc

U_B34
B34.SchDoc

U_B35
B35.SchDoc

U_B2B_Connector
B2B_Connector.SchDoc

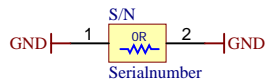
U_POWER
POWER.SchDoc

U_Optical_transceiver
Optical_transceiver.SchDoc

LOGO1

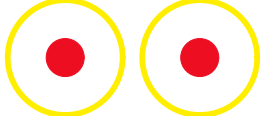
TE Logo PRINT Layer

LOGO PRINT

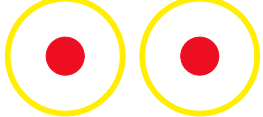


Serial
Serial
Serialnumber 6,3 x 6.3mm

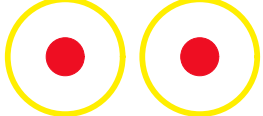
FIDU-DOT - small FIDU-DOT - small



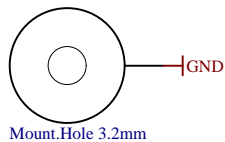
PM1 PM2
FIDU-DOT - small FIDU-DOT - small



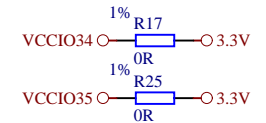
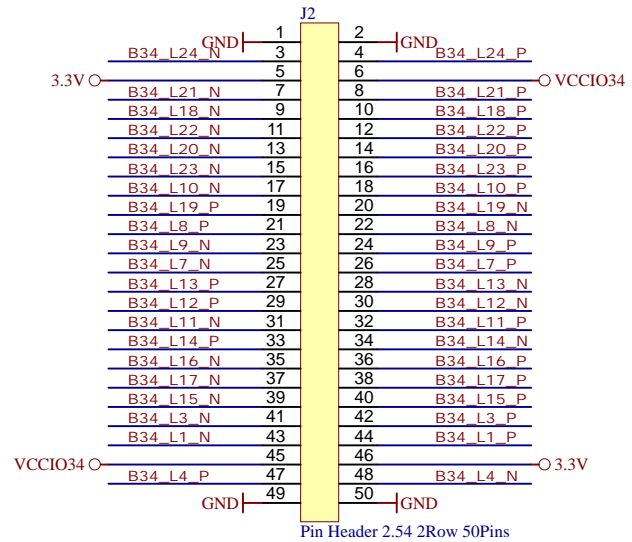
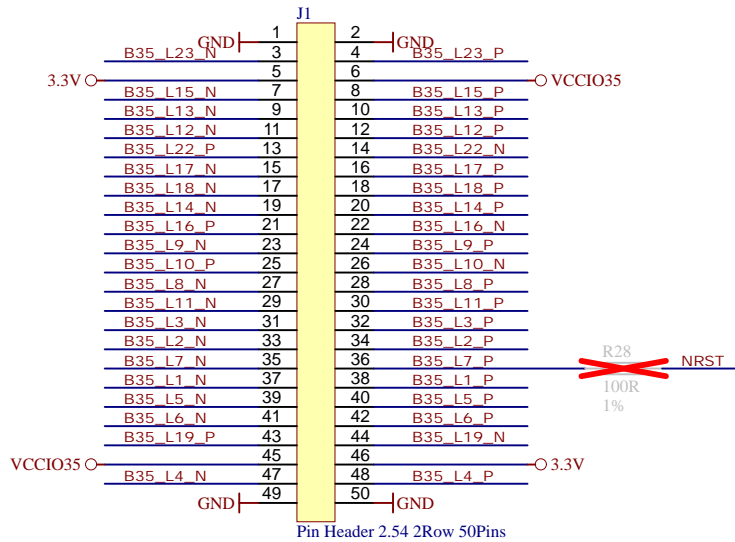
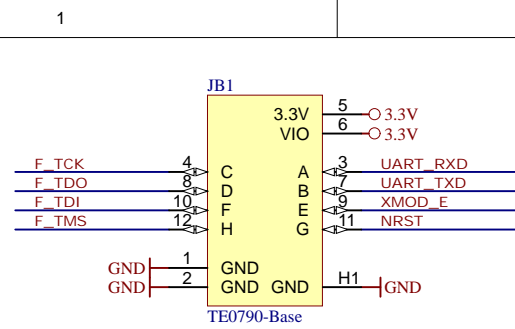
PM4 PM5
FIDU-DOT - small FIDU-DOT - small




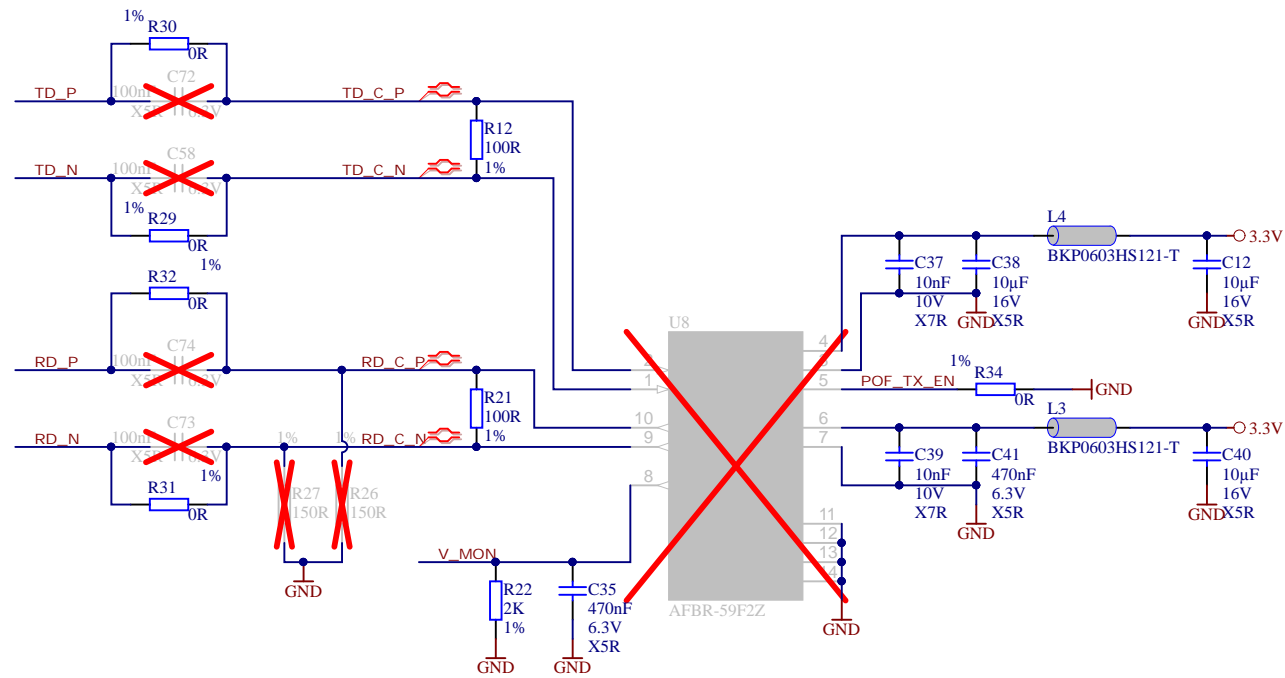
PM6 PM3




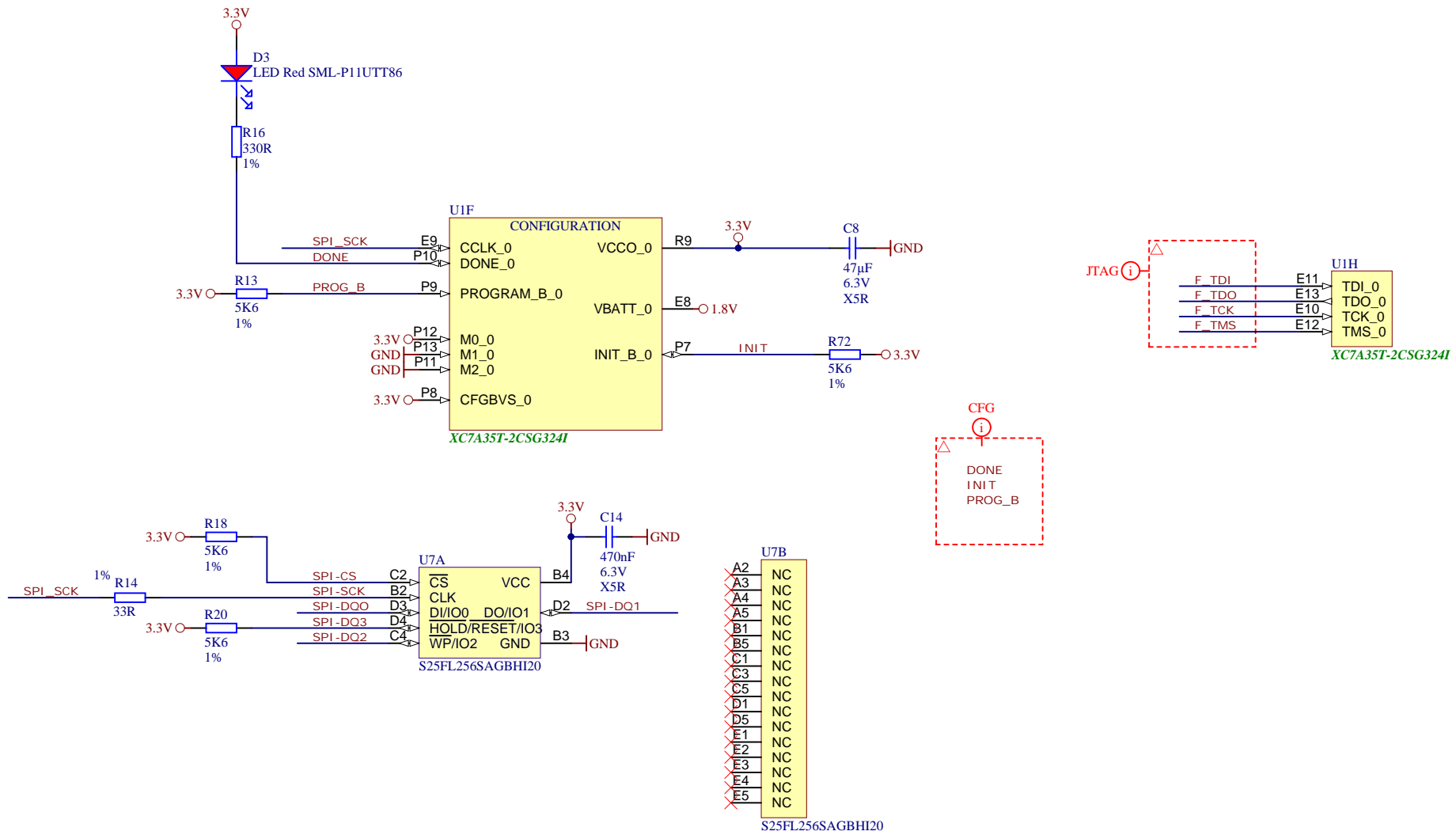
Title: TE0725 - Overview		
A4	Number: TE0725 TE0725-35-2IN	Rev. 03
Date: 2016-06-29	Copyright: Trenz Electronic GmbH / TT	Page1 of 11
Filename: TE0725.SchDoc		




		Title: TE0725 - B2B Connectors	
		A4	Number: TE0725 TE0725-35-2IN
Date: 2016-06-29		Copyright: Trenz Electronic GmbH / TT	
Filename: B2B_Connector.SchDoc		Page2 of 11	



		Title: TE0725 - Optical transceiver	
		A4	Number: TE0725 TE0725-35-2IN
Date: 2016-06-29		Copyright: Trenz Electronic GmbH / TT	
Filename: Optical_transceiver.SchDoc		Page 3 of 11	



		Title: TE0725 - FPGA CFG	
		A4	Number: TE0725 TE0725-35-2IN
Date: 2016-06-29		Copyright: Trenz Electronic GmbH / TT	
Filename: FPGA_CFG.SchDoc		Page 4 of 11	

1

2

3

4

A

A

B

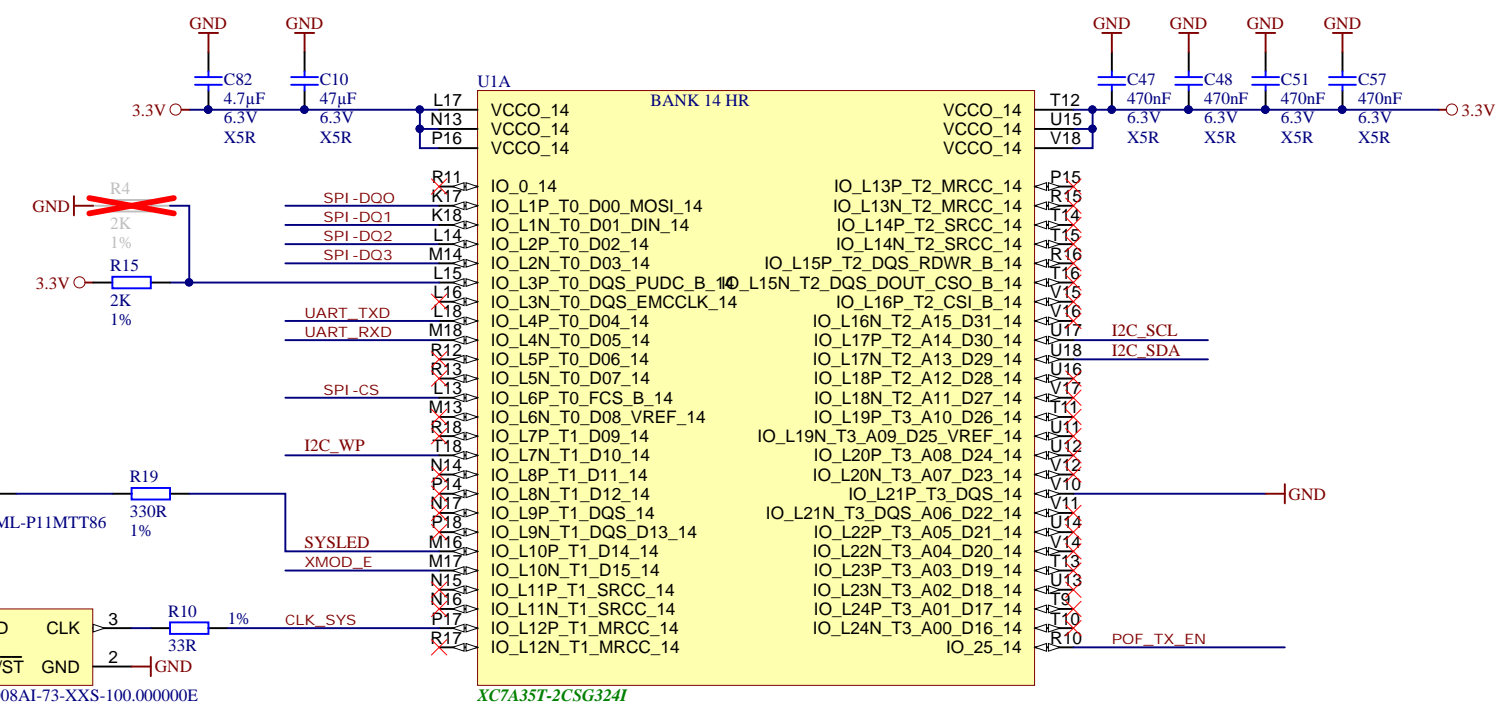
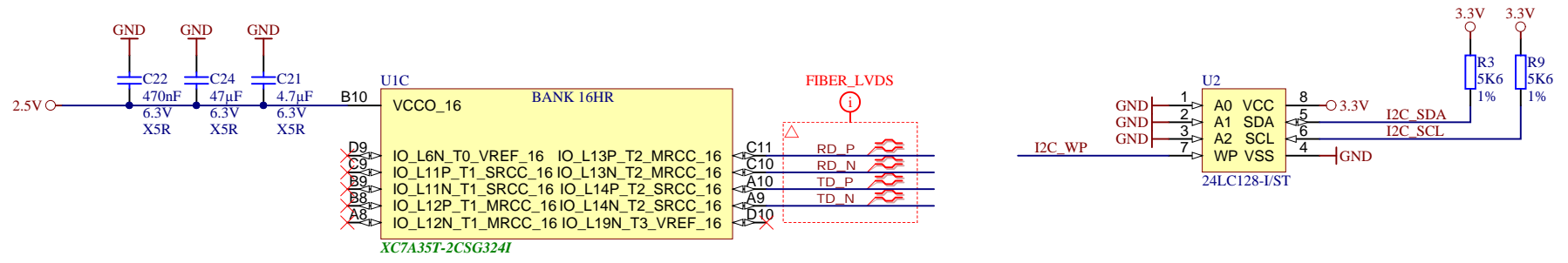
B

C

C

D

D



trenz electronic

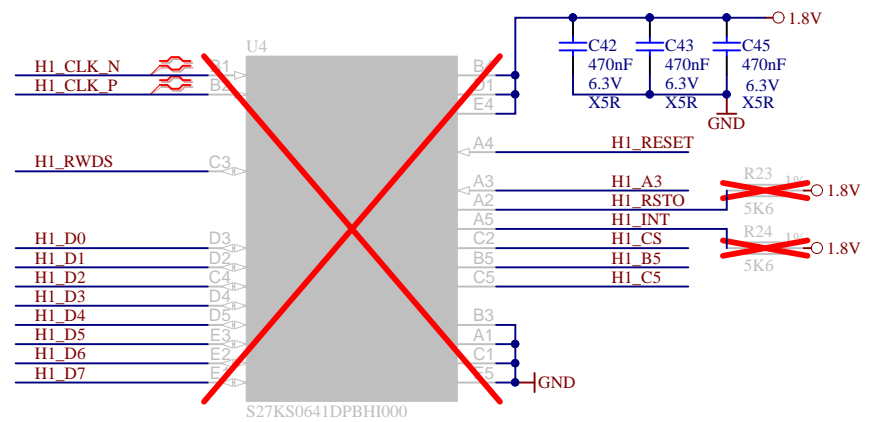
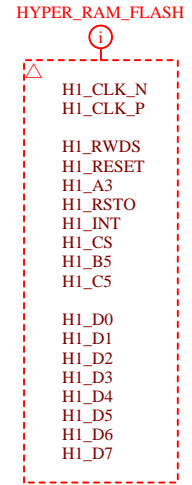
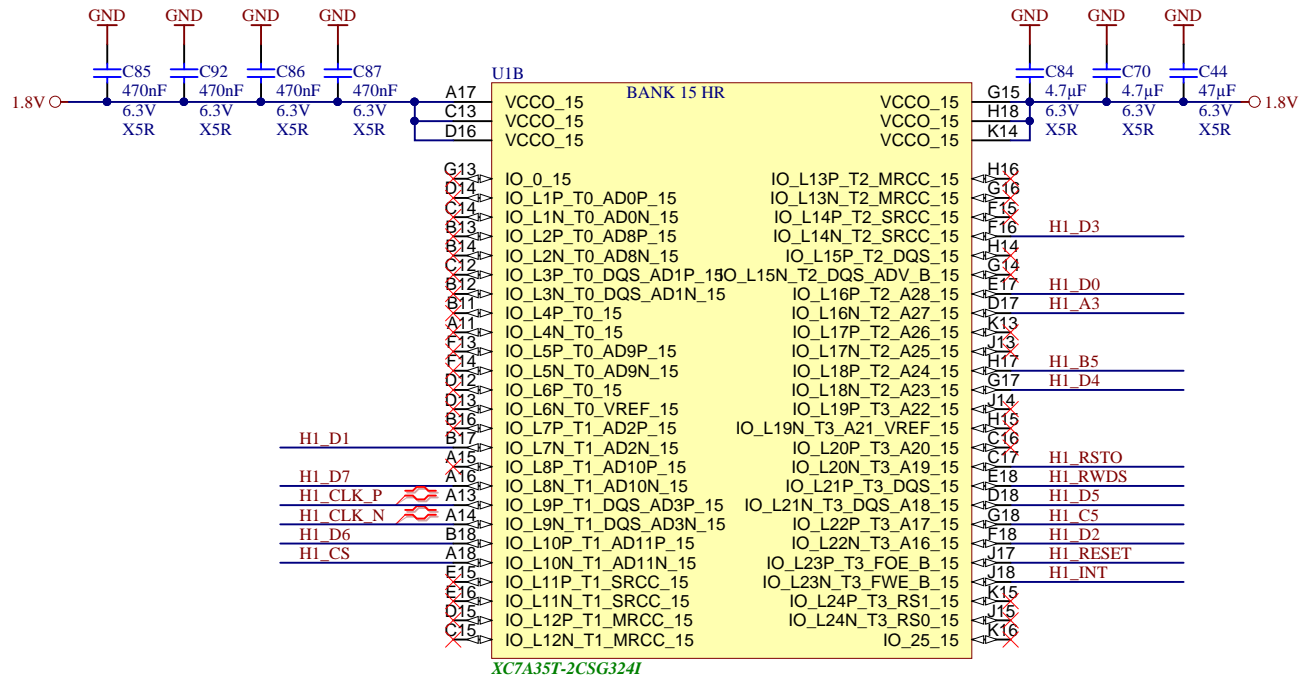
Title: TE0725 - B14 & B16		
A4	Number: TE0725 TE0725-35-2IN	Rev. 03
Date: 2016-06-29	Copyright: Trenz Electronic GmbH / TT	Page5 of 11
Filename: B14_B16.SchDoc		

1

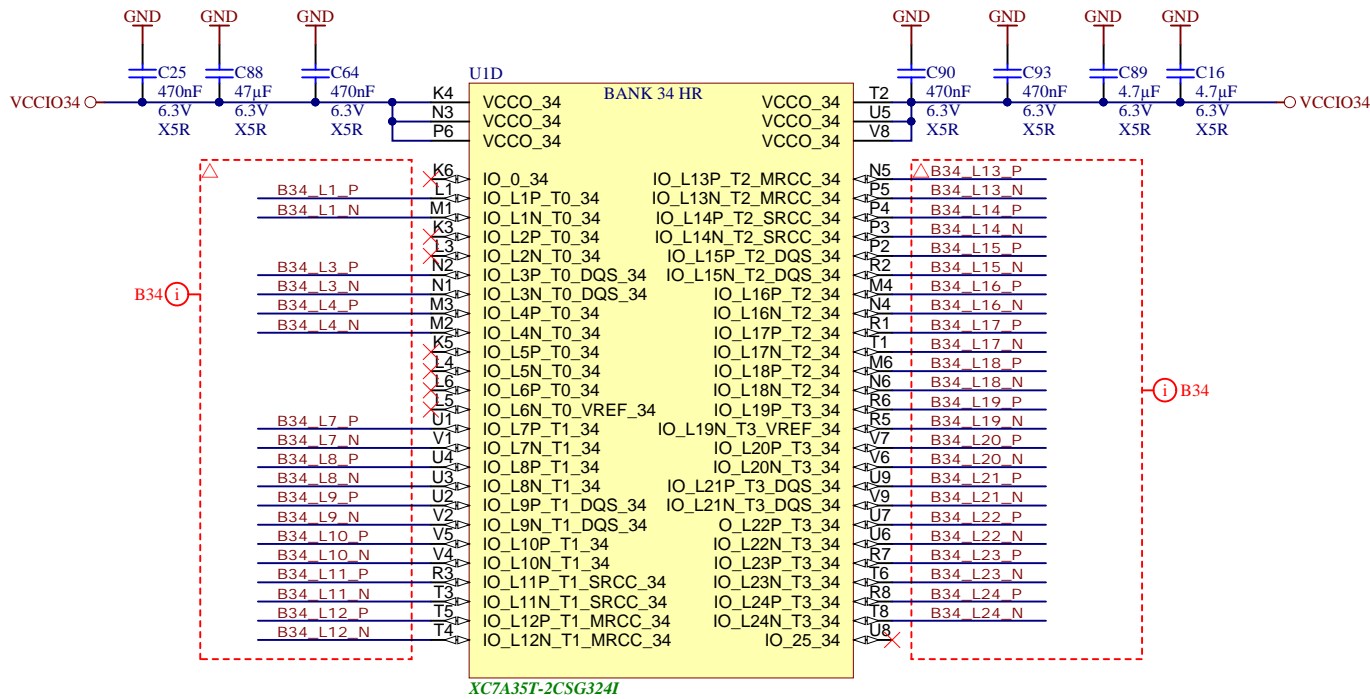

2

3

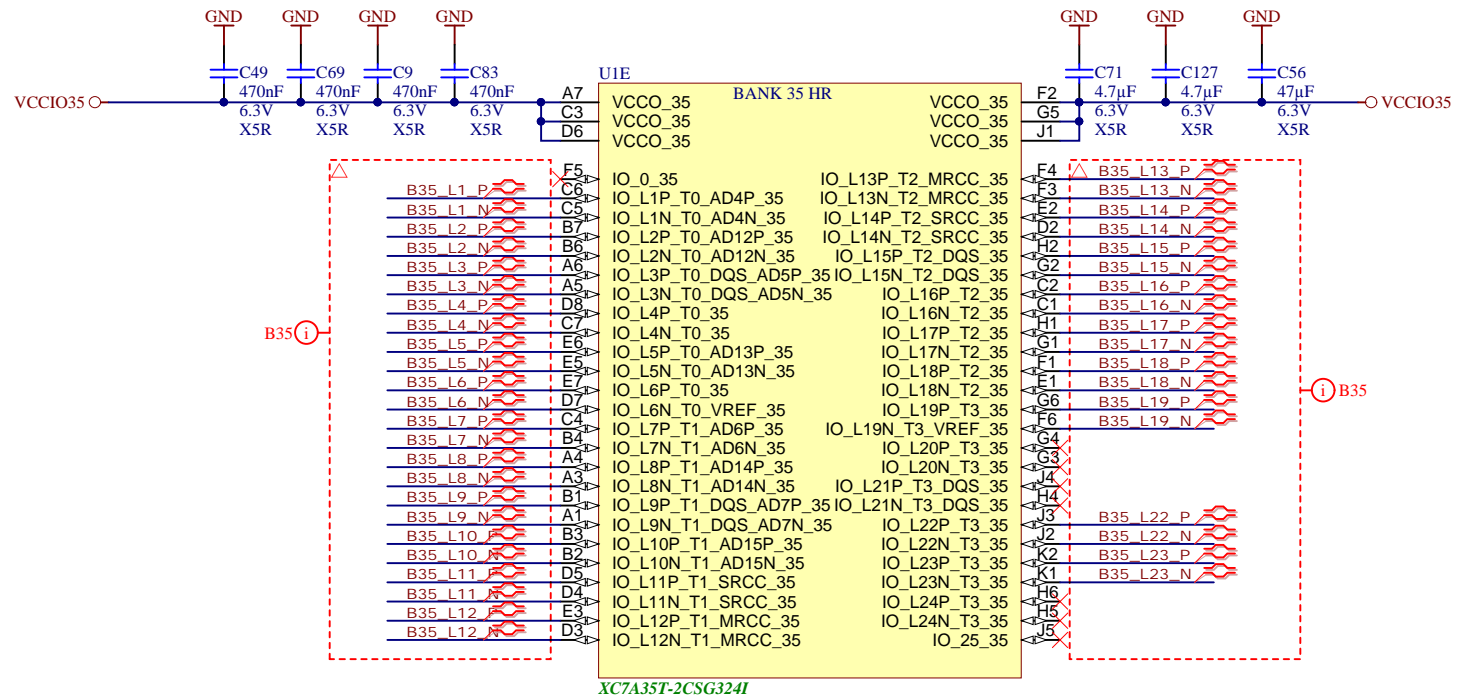
4



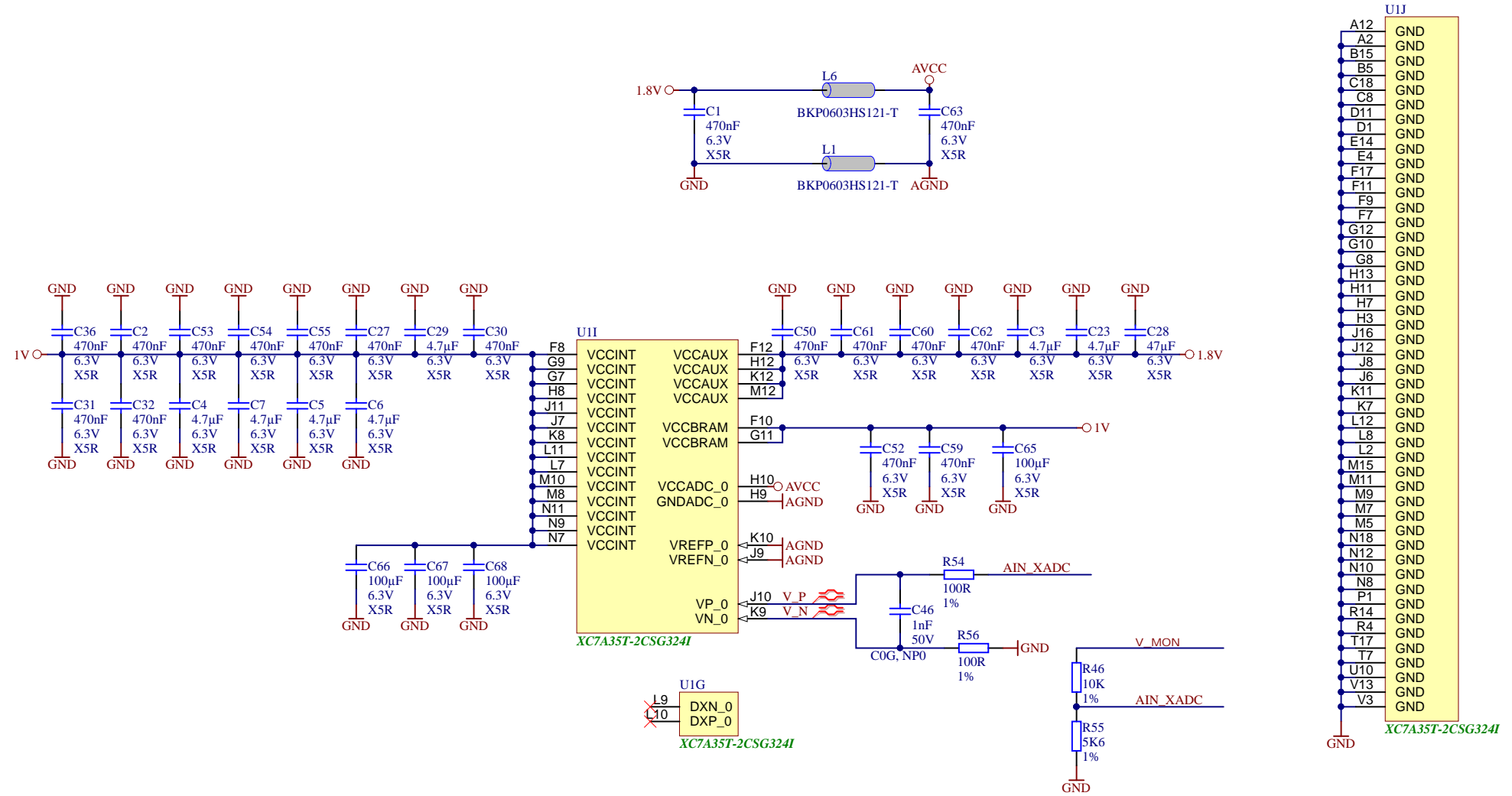
Title: TE0725 - B15		
A4	Number: TE0725 TE0725-35-2IN	Rev. 03
Date: 2016-06-29	Copyright: Trenz Electronic GmbH / TT	Page 6 of 11
Filename: B15.SchDoc		

Title: TE0725 - B34		
A4	Number: TE0725 TE0725-35-2IN	Rev. 03
Date: 2016-06-29	Copyright: Trenz Electronic GmbH / TT	Page 7 of 11
Filename: B34.SchDoc		



Title: TE0725 - B35		
A4	Number: TE0725 TE0725-35-2IN	Rev. 03
Date: 2016-06-29	Copyright: Trenz Electronic GmbH / TT	Page 8 of 11
Filename: B35.SchDoc		



	Title: TE0725 - FPGA PWR MISC	
	A4	Number: TE0725 TE0725-35-2IN
	Date: 2016-06-29	Copyright: Trenz Electronic GmbH / TT
	Filename: FPGA_PWR_MISC.SchDoc	Page9 of 11

1

2

3

4

1

2

3

4

A

A

B

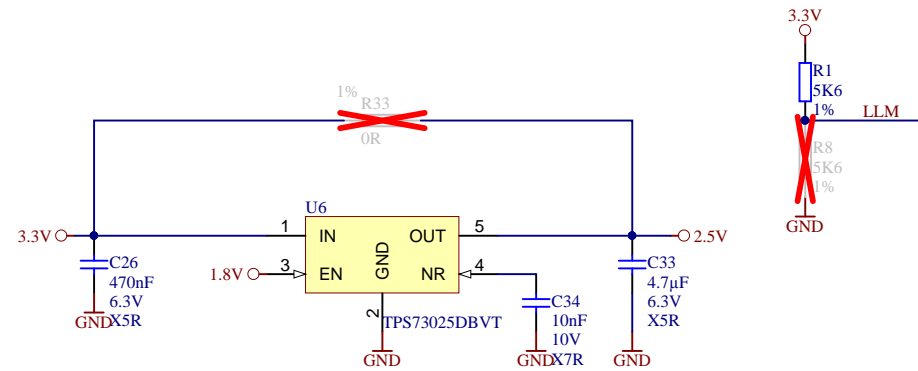
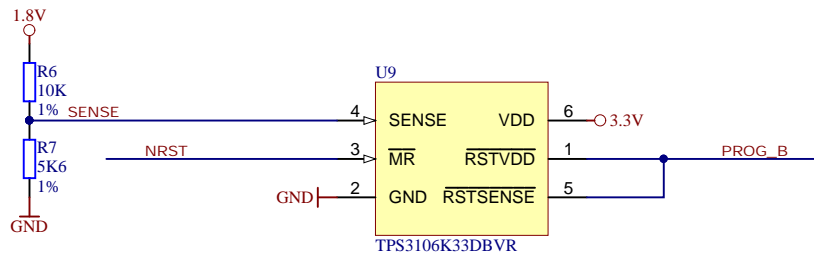
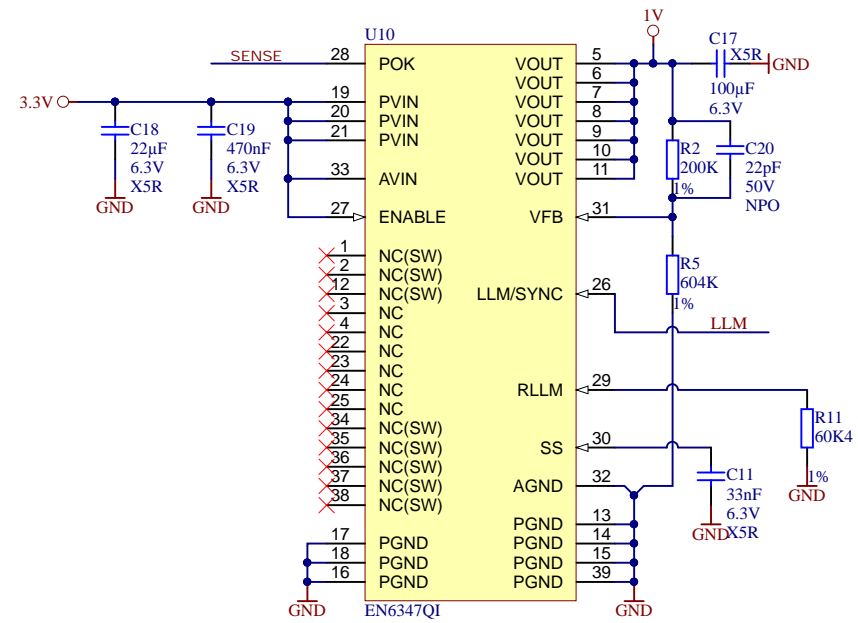
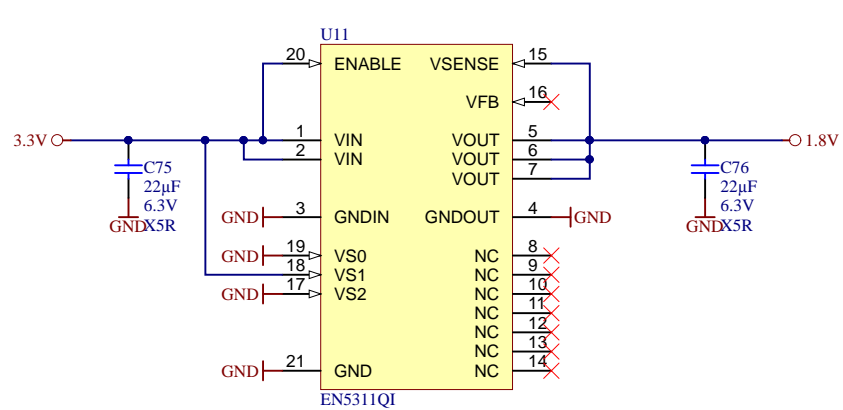
B


C

C

D

D



		Title: TE0725 - POWER	
		A4	Number: TE0725 TE0725-35-2IN
Date: 2016-06-29		Copyright: Trenz Electronic GmbH	
Filename: POWER.SchDoc		Page 10 of 11	

1

2

3

4

CHANGES REV02 to REV03

- 1) fixed LVPECL termination for 125MBit modules
- 2) fixed wrong XADC decoupling capacitors
- 3) added serial number (traceability pad)
- 4) added thermal vias to mounting holes

A

A

B

B

C

C

D

D



Title: TE0725 - Changes list			
A4	Number: TE0706 TE0725-35-2IN	Rev. 03	
Date: 2016-06-29	Copyright: Trenz Electronic GmbH	Page 11 of 11	
Filename: Revision_Changes.SchDoc			

1

2

3

4