

U_FPGA_PWR_MISC
FPGA_PWR_MISC.SchDoc

U_FPGA_CFG
FPGA_CFG.SchDoc

U_B14_B16
B14_B16.SchDoc

U_B15
B15.SchDoc

U_B34
B34.SchDoc

U_B35
B35.SchDoc

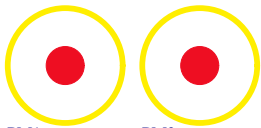
U_B2B_Connector
B2B_Connector.SchDoc

U_POWER
POWER.SchDoc

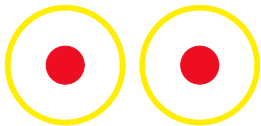
LOGO1

TE Logo PRINT Layer

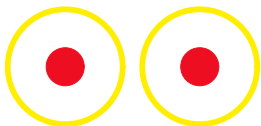
LOGO PRINT



PM1 PM2

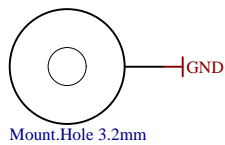


PM4 PM5




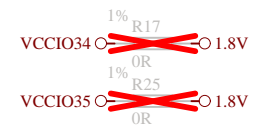
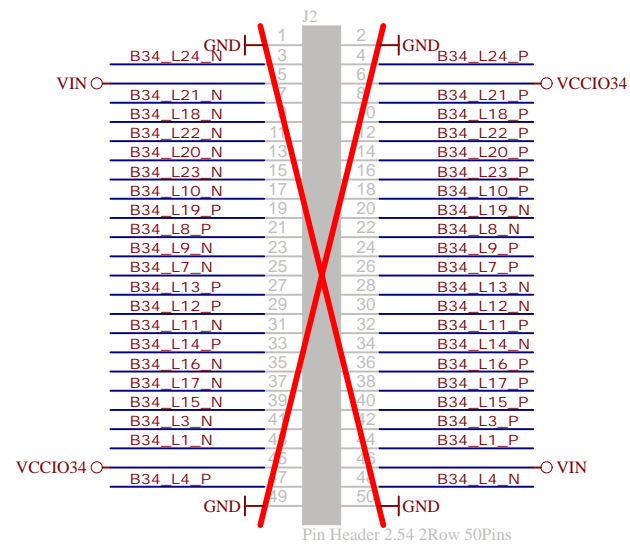
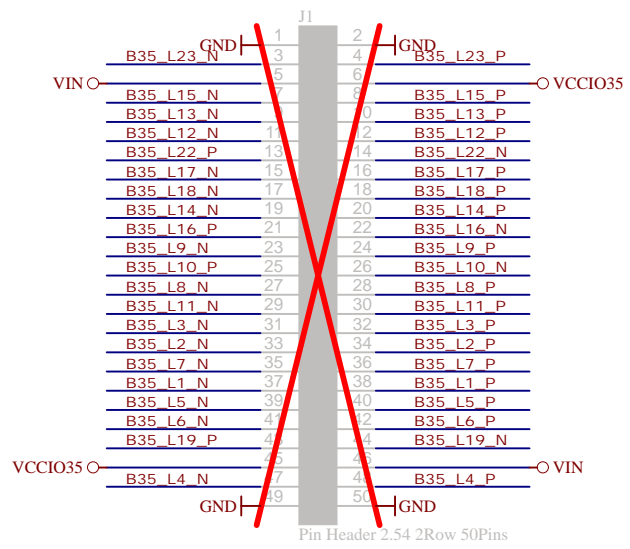
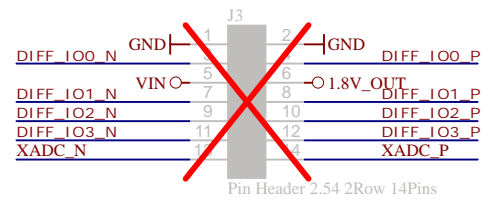
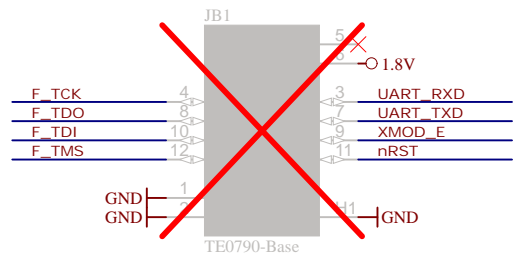
PM6 PM3

Serial
Serial
Serialnumber 6,3 x 6.3mm

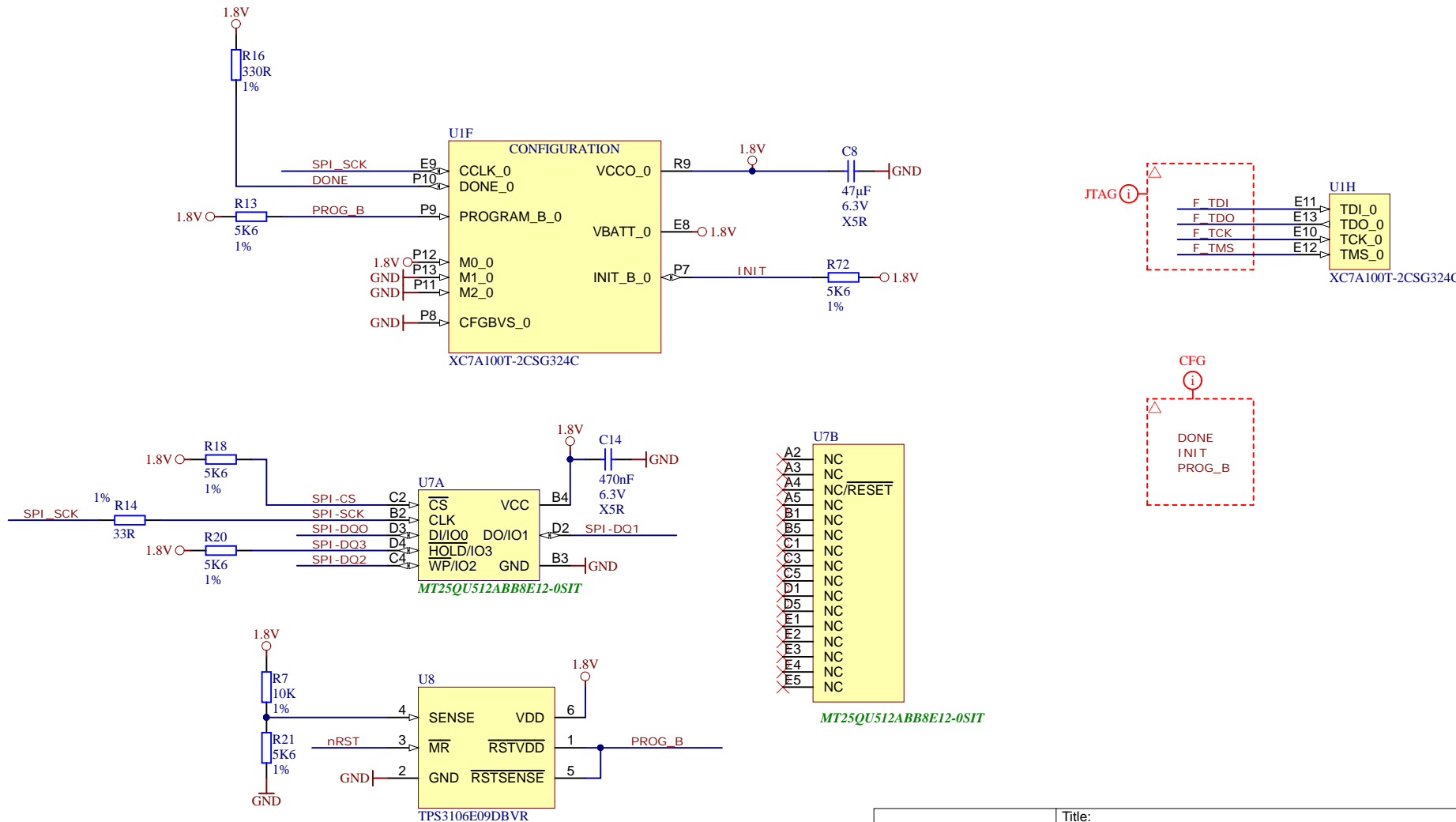


Mount.Hole 3.2mm

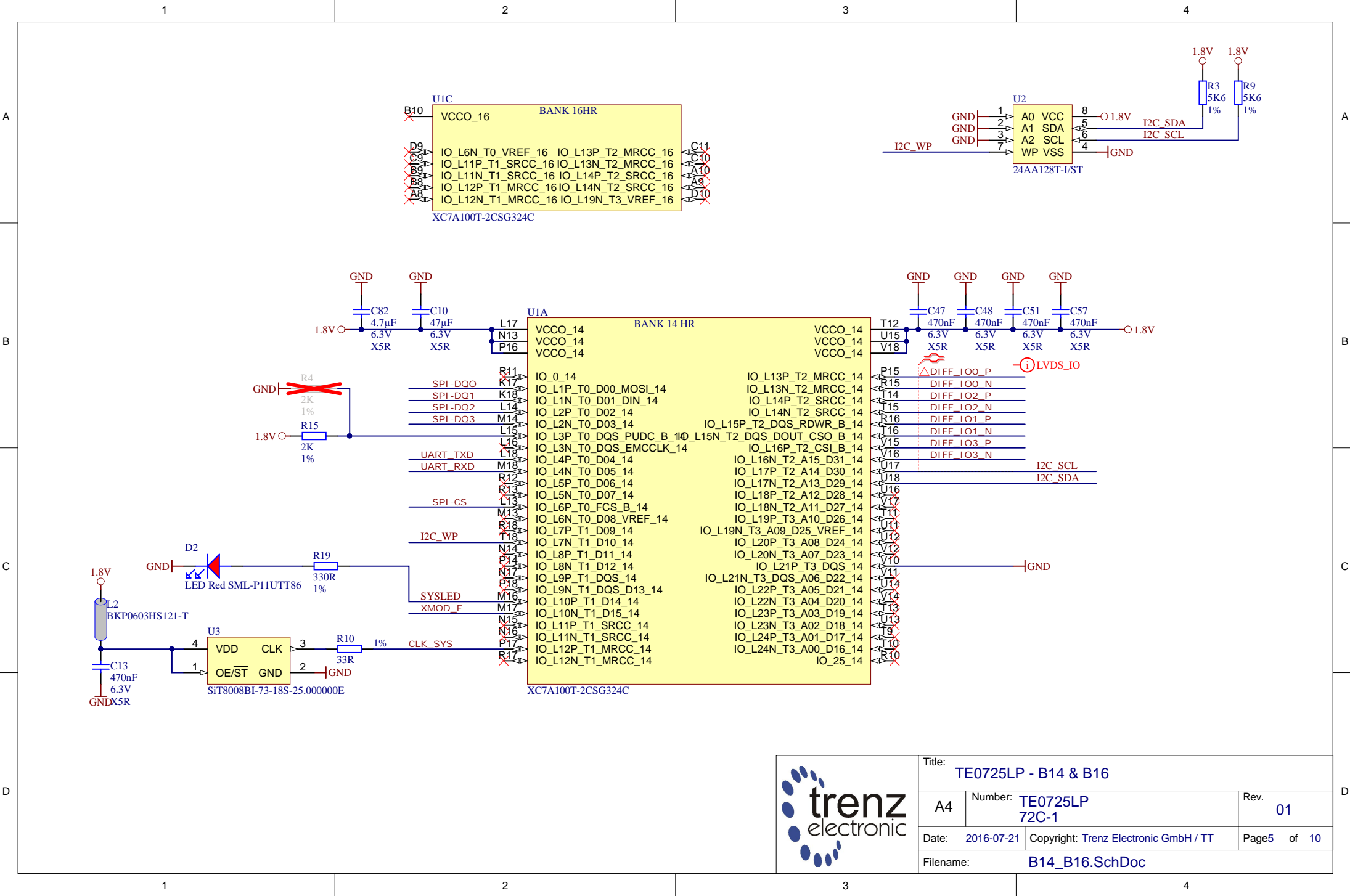
			Title: TE0725LP - Overview	
			A4	Number: TE0725LP 72C-1
Date: 2016-07-21		Copyright: Trenz Electronic GmbH / TT		Page1 of 10
Filename: TE0725LP.SchDoc				



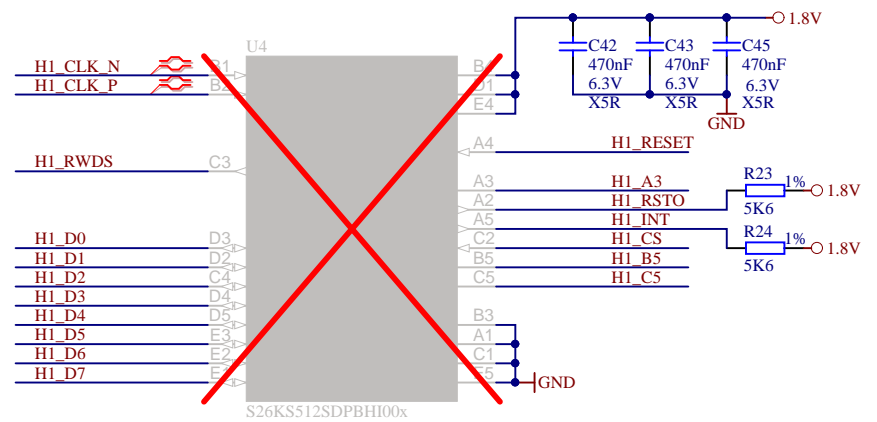
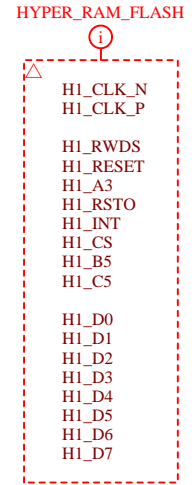
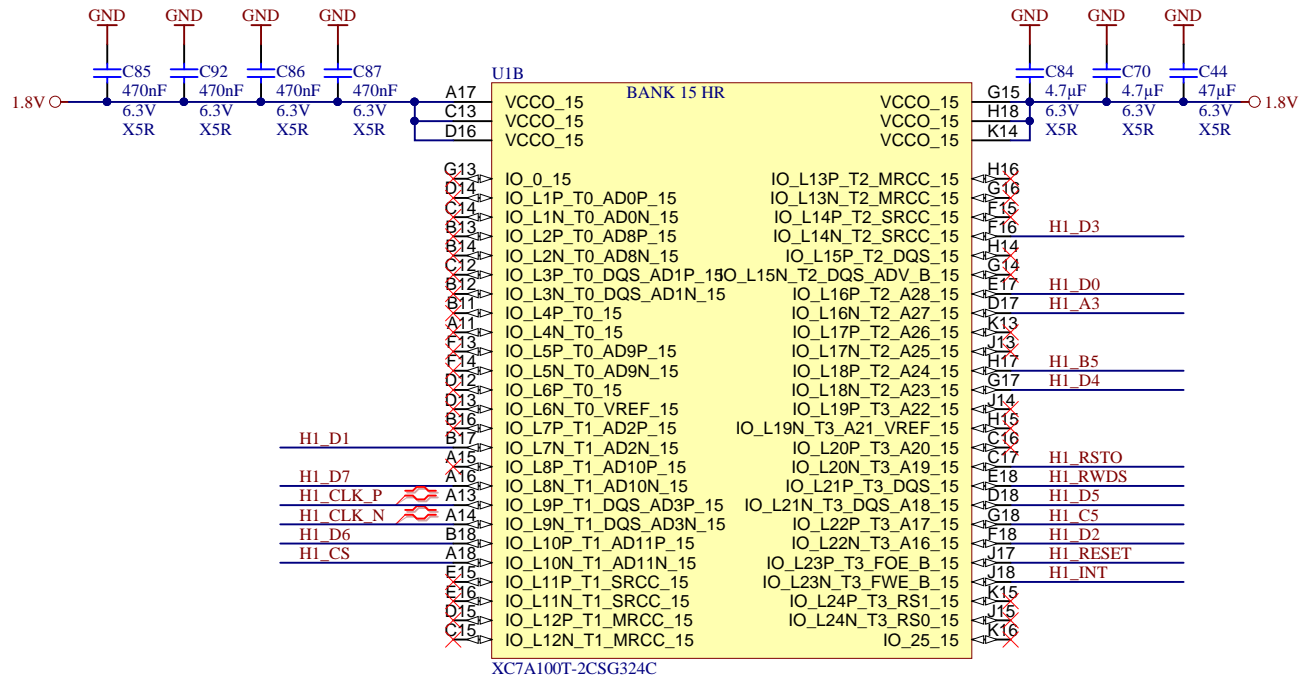
Title: TE0725LP - B2B Connectors		
A4	Number: TE0725LP 72C-1	Rev. 01
Date: 2016-07-21	Copyright: Trenz Electronic GmbH / TT	Page2 of 10
Filename: B2B_Connector.SchDoc		



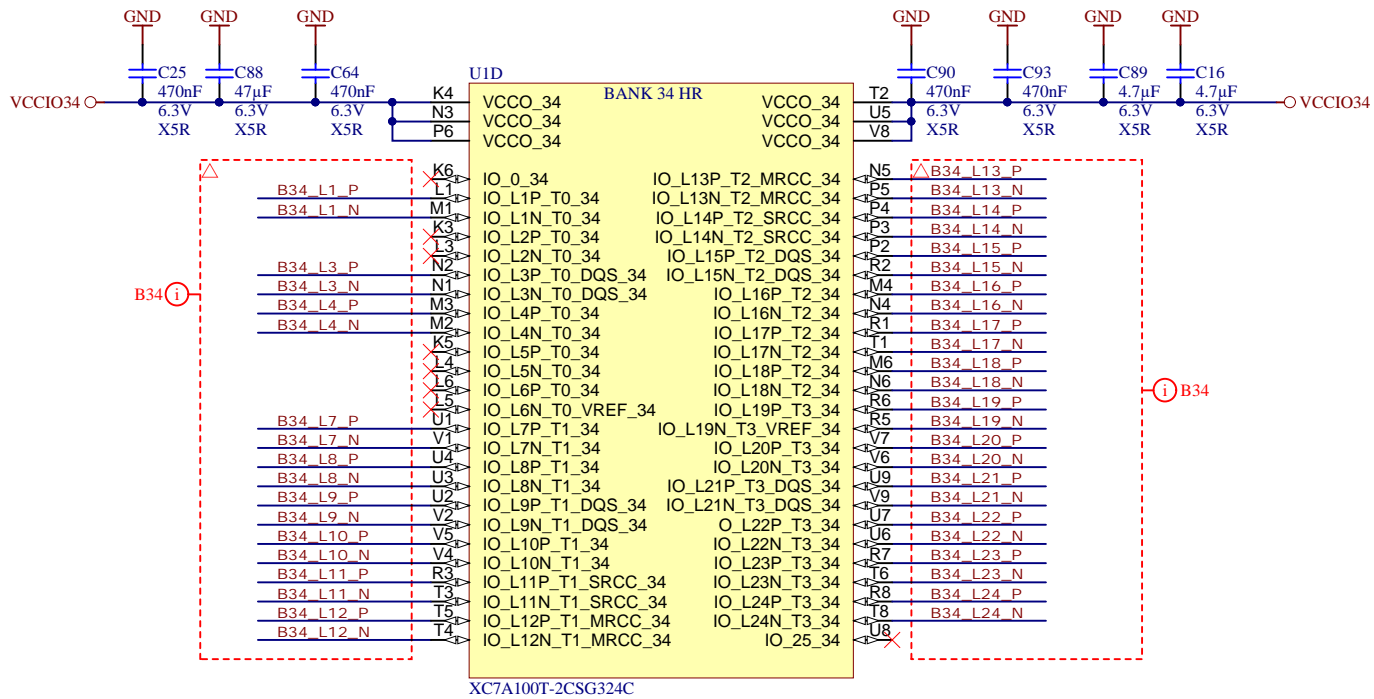
Title: TE0725LP - FPGA CFG		
A4	Number: TE0725LP 72C-1	Rev. 01
Date: 2016-07-21	Copyright: Trenz Electronic GmbH / TT	Page4 of 10
Filename: FPGA_CFG.SchDoc		




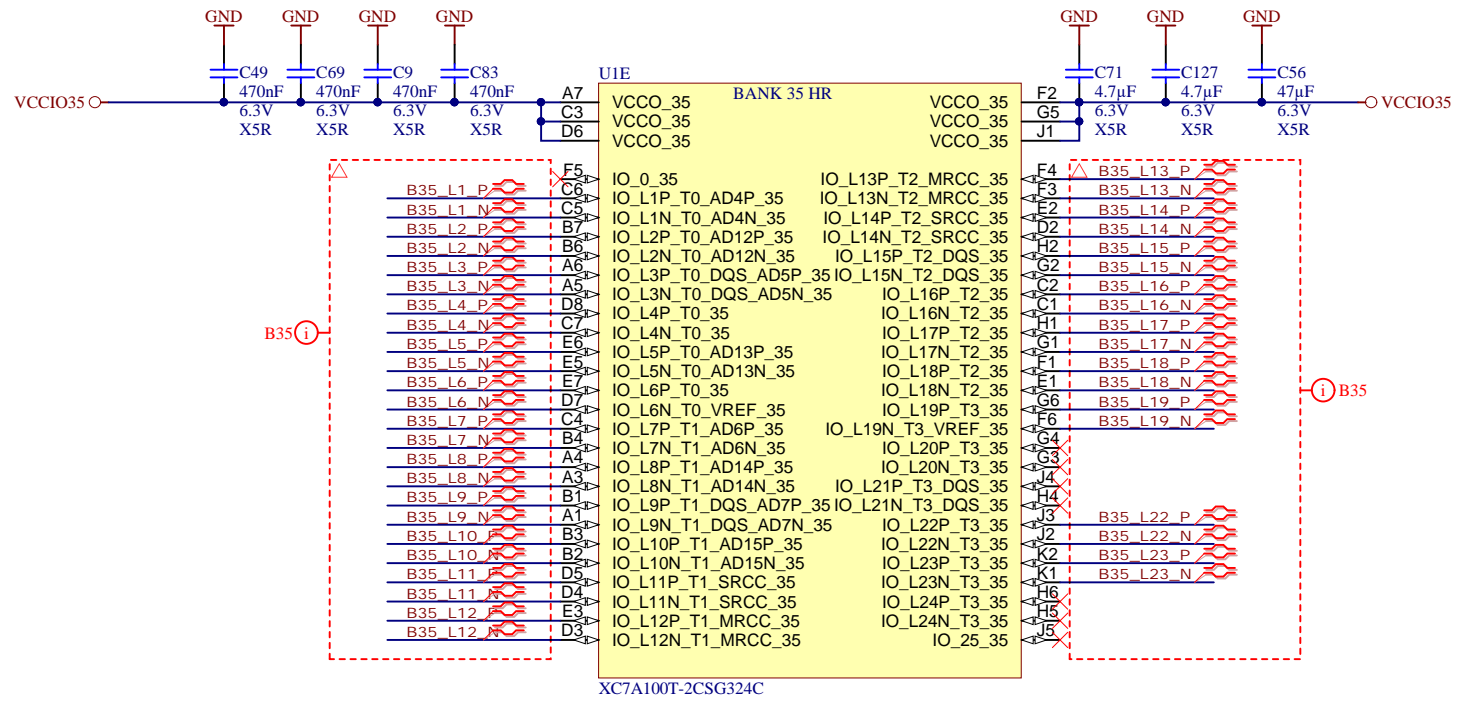
Title: TE0725LP - B14 & B16		
A4	Number: TE0725LP 72C-1	Rev. 01
Date: 2016-07-21	Copyright: Trenz Electronic GmbH / TT	Page5 of 10
Filename: B14_B16.SchDoc		



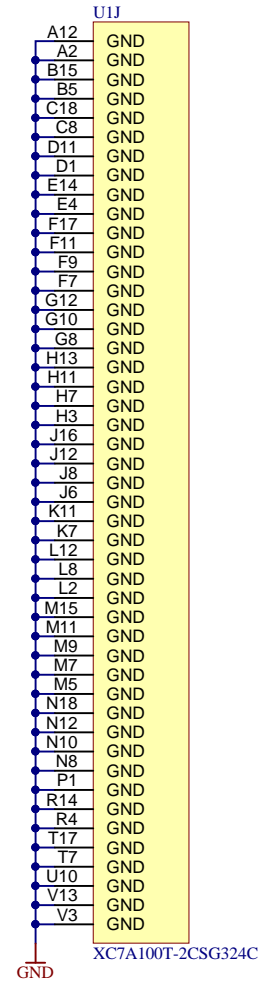
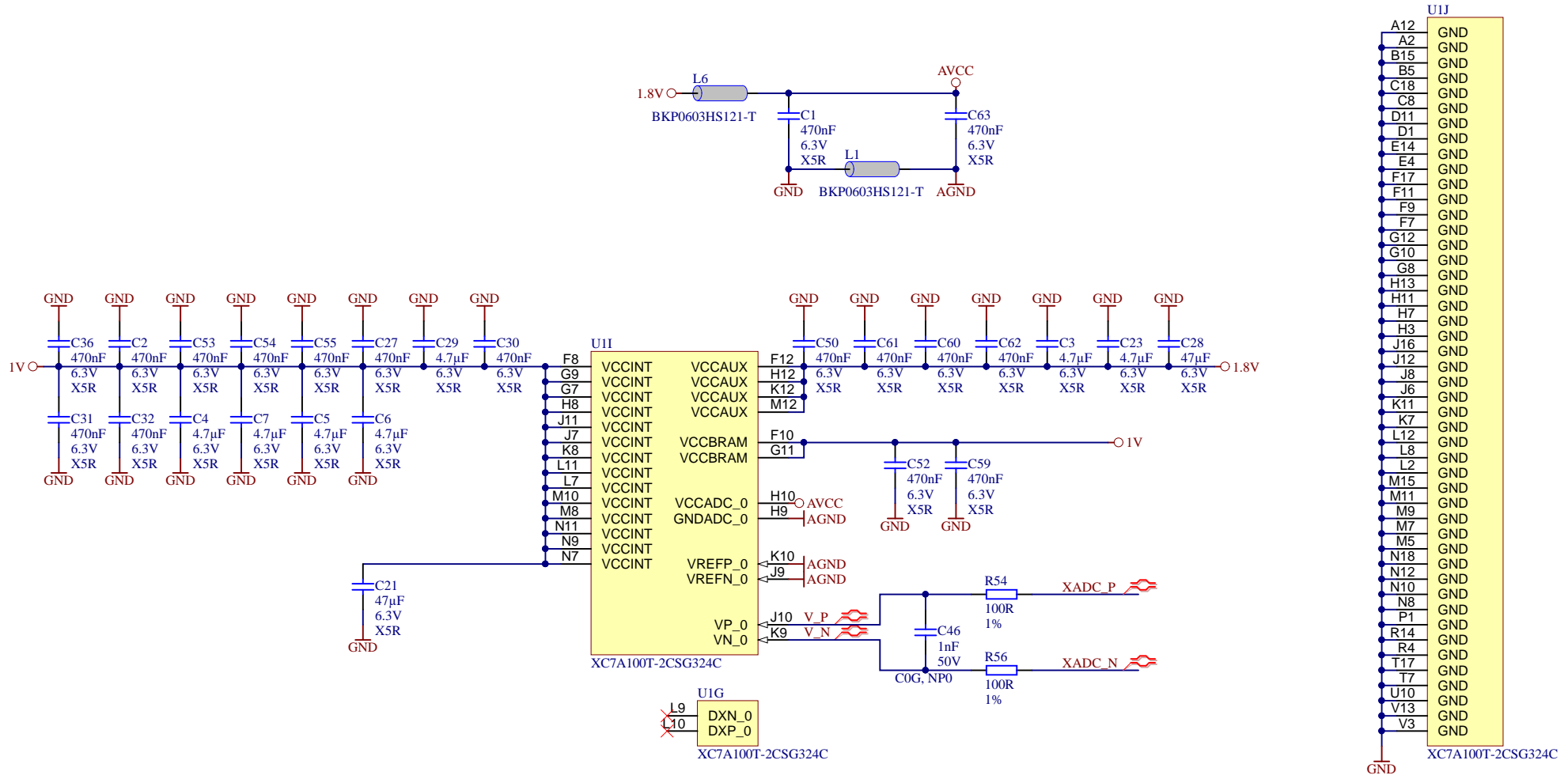
Title: TE0725LP - B15		
A4	Number: TE0725LP 72C-1	Rev. 01
Date: 2016-07-21	Copyright: Trenz Electronic GmbH / TT	Page6 of 10
Filename: B15.SchDoc		



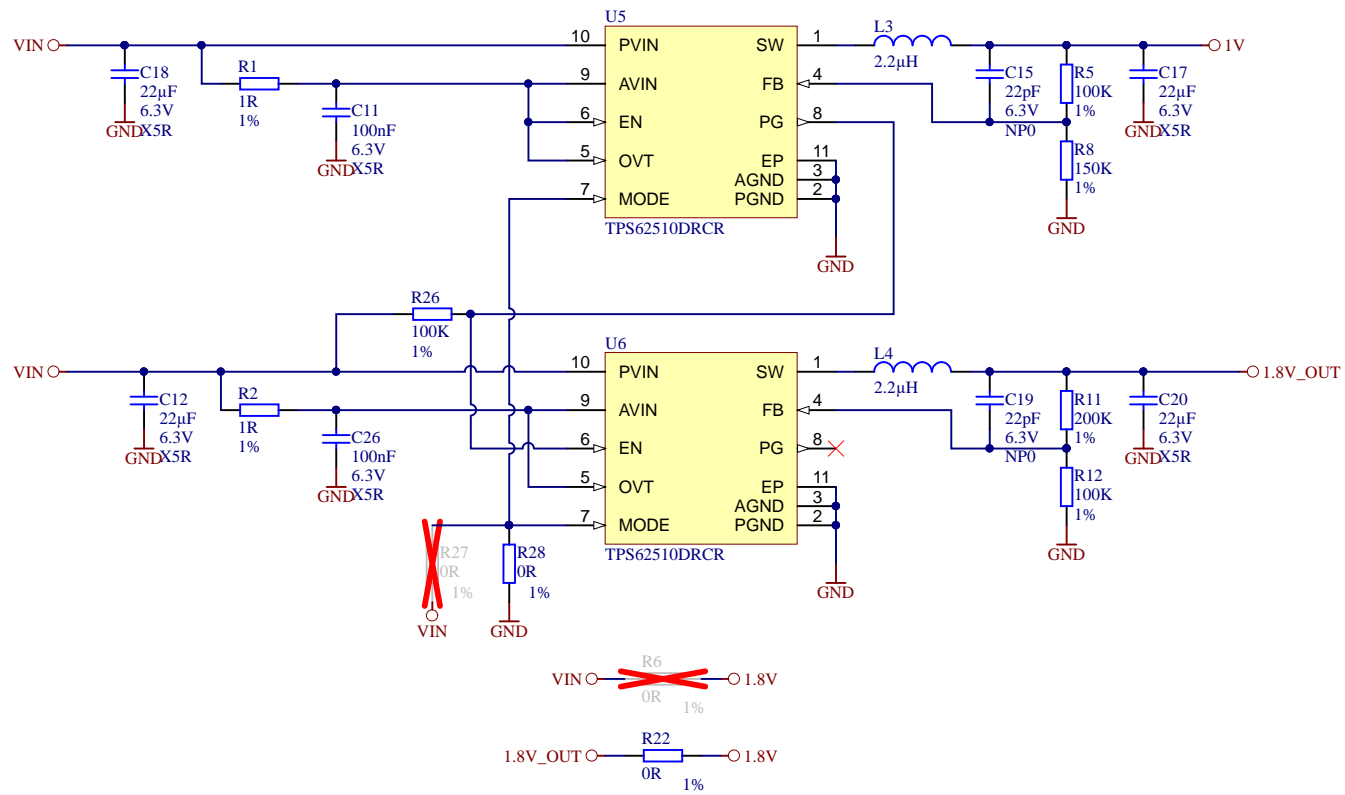
			Title: TE0725LP - B34	
A4	Number: TE0725LP 72C-1		Rev. 01	
Date: 2016-07-21	Copyright: Trenz Electronic GmbH / TT		Page 7 of 10	
Filename: B34.SchDoc				




Title: TE0725LP - B35		
A4	Number: TE0725LP 72C-1	Rev. 01
Date: 2016-07-21	Copyright: Trenz Electronic GmbH / TT	Page 8 of 10
Filename: B35.SchDoc		



Title: TE0725LP - FPGA PWR MISC		
A4	Number: TE0725LP 72C-1	Rev. 01
Date: 2016-07-21	Copyright: Trenz Electronic GmbH / TT	Page9 of 10
Filename: FPGA_PWR_MISC.SchDoc		



		Title: TE0725LP - POWER	
		A4	Number: TE0725LP 72C-1
Date: 2016-07-21		Copyright: Trenz Electronic GmbH	
Filename: POWER.SchDoc		Page10 of 10	