

U_FPGA_PWR_MISC
FPGA_PWR_MISC.SchDoc

U_FPGA_CFG
FPGA_CFG.SchDoc

U_B14_B16
B14_B16.SchDoc

U_B15
B15.SchDoc

U_B34
B34.SchDoc

U_B35
B35.SchDoc

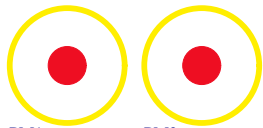
U_B2B_Connector
B2B_Connector.SchDoc

U_POWER
POWER.SchDoc

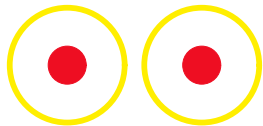
LOGO1

TE Logo PRINT Layer

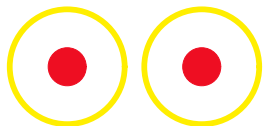
LOGO PRINT



PM1 PM2

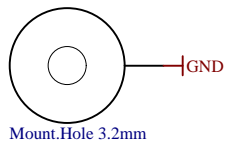


PM4 PM5




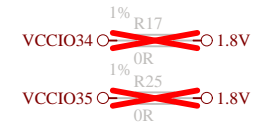
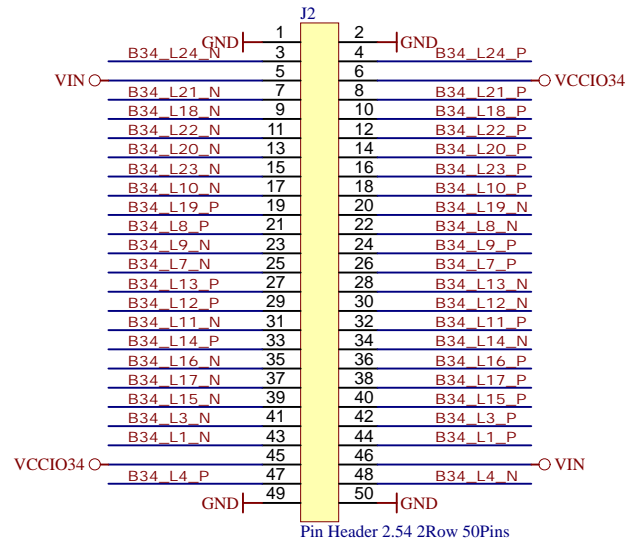
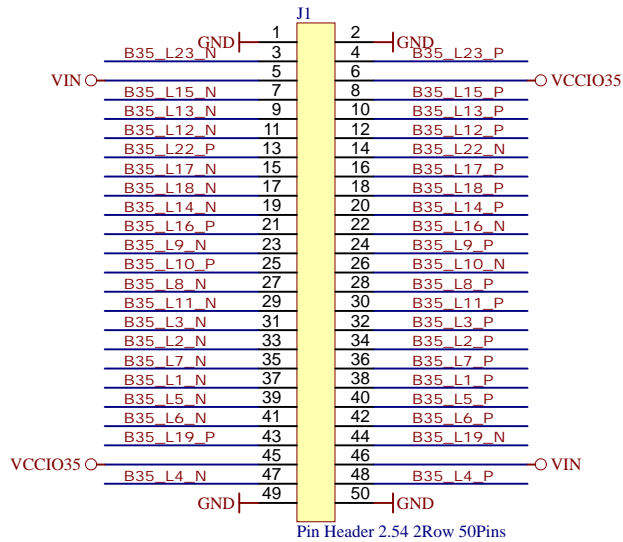
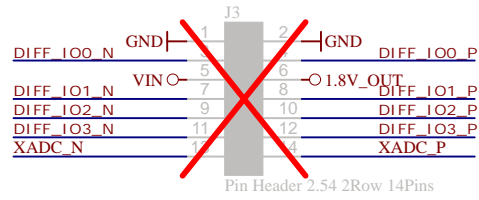
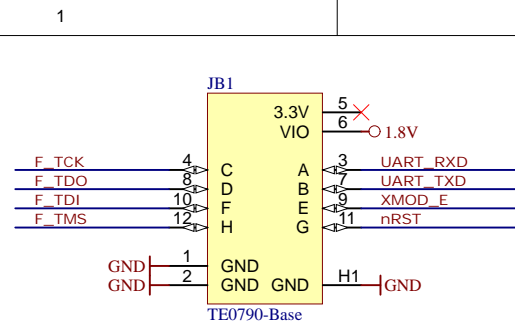
PM6 PM3

Serial
Serial
Serialnumber 6,3 x 6.3mm

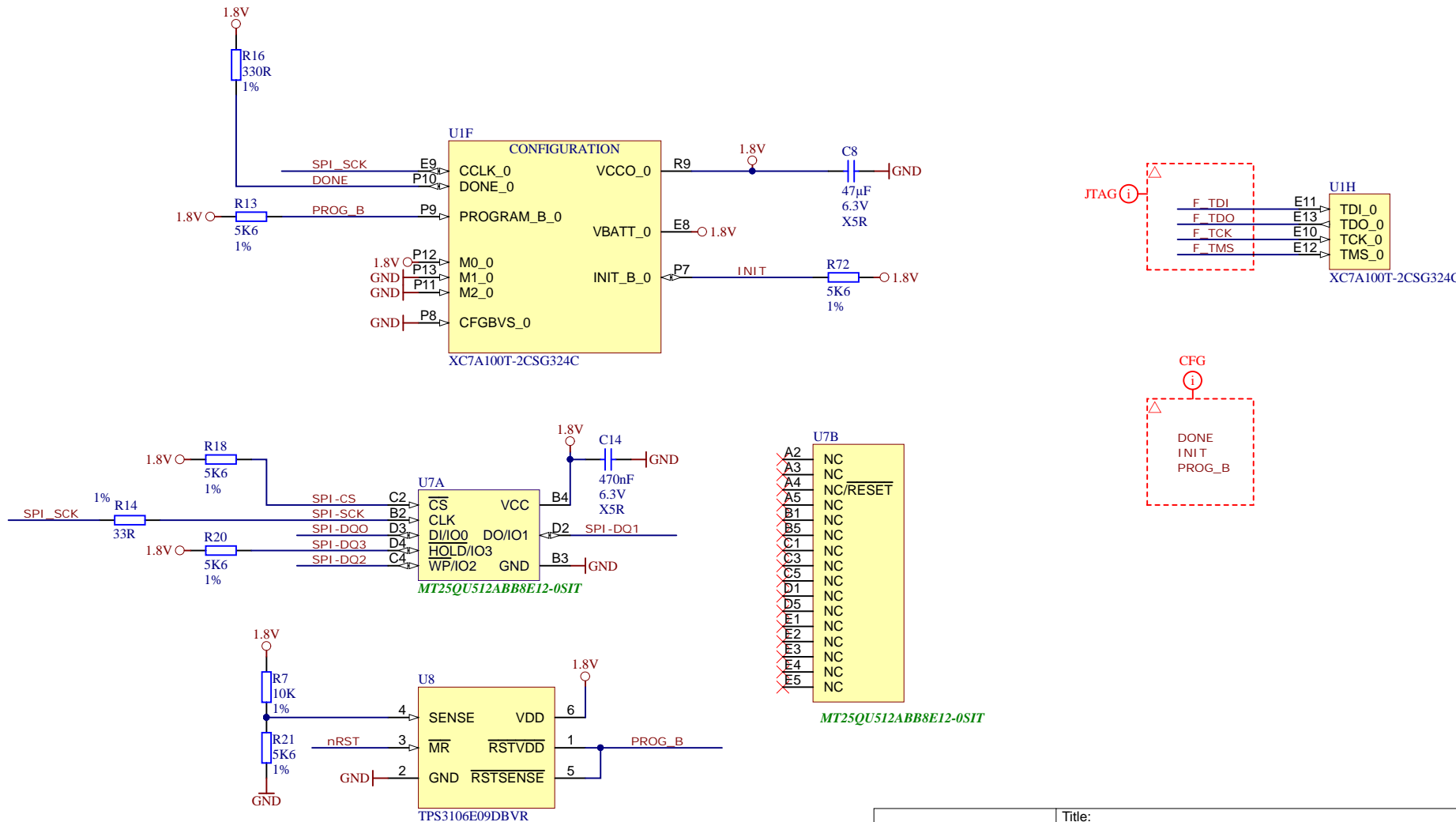


Mount.Hole 3.2mm

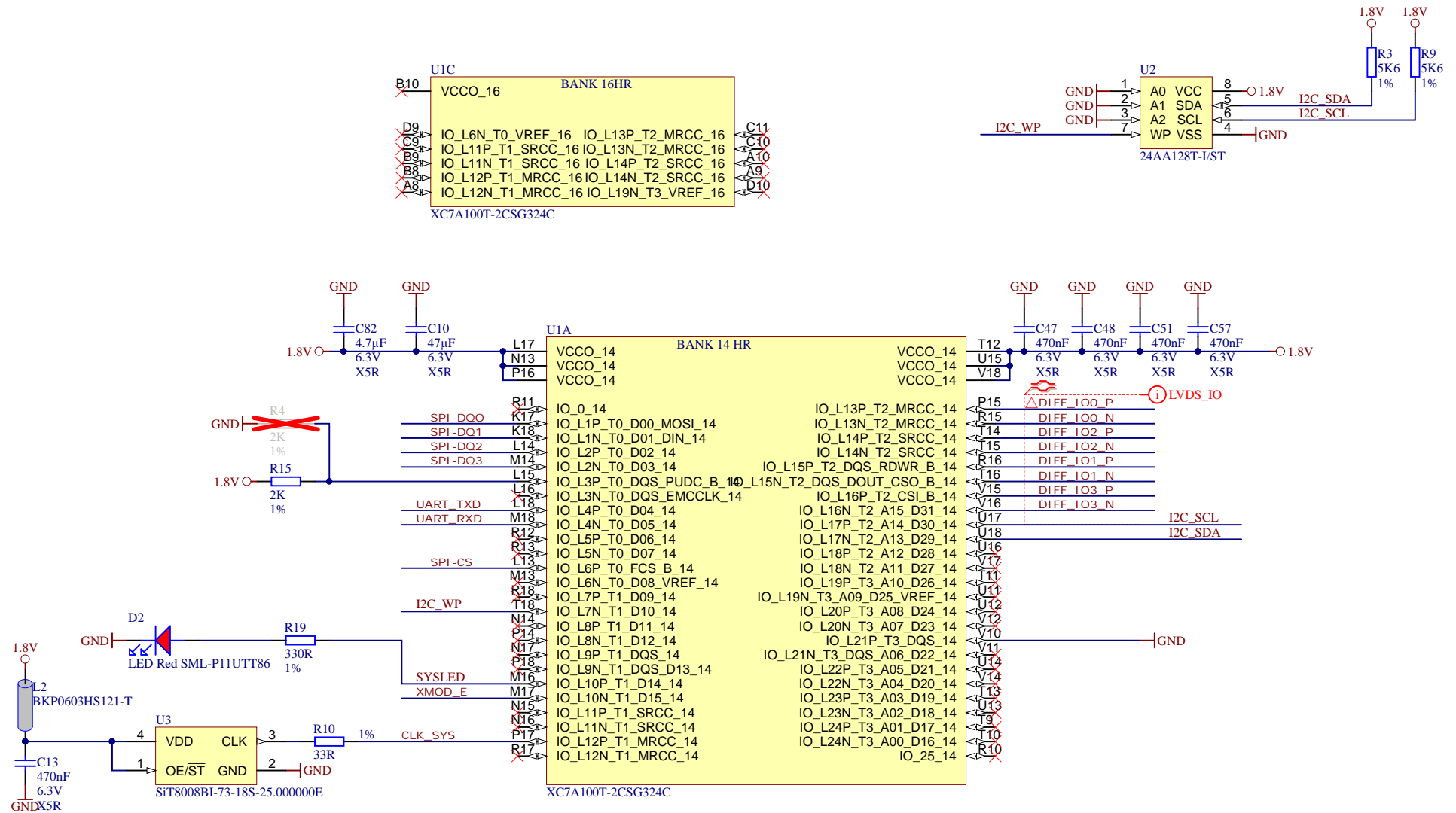
			Title: TE0725LP - Overview	
			A4	Number: TE0725LP 72C-1T
Date: 2016-07-21		Copyright: Trenz Electronic GmbH / TT		Page1 of 10
Filename: TE0725LP.SchDoc				




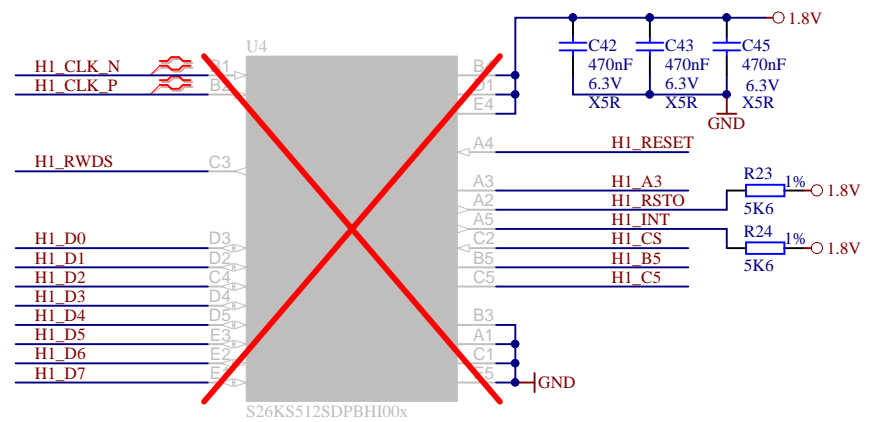
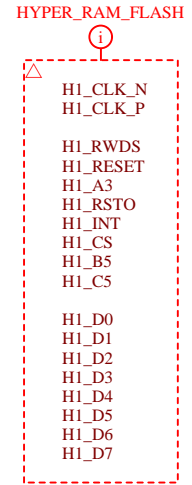
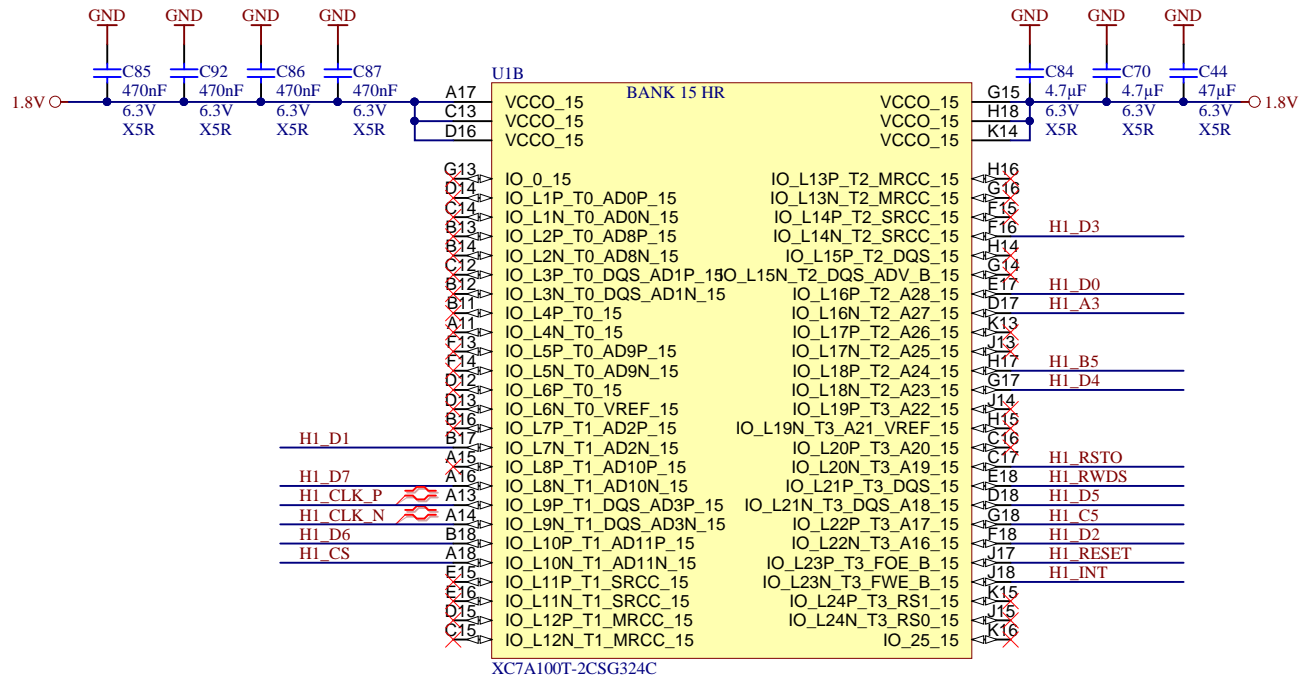
Title: TE0725LP - B2B Connectors		
A4	Number: TE0725LP 72C-1T	Rev. 01
Date: 2016-07-21	Copyright: Trenz Electronic GmbH / TT	Page2 of 10
Filename: B2B_Connector.SchDoc		



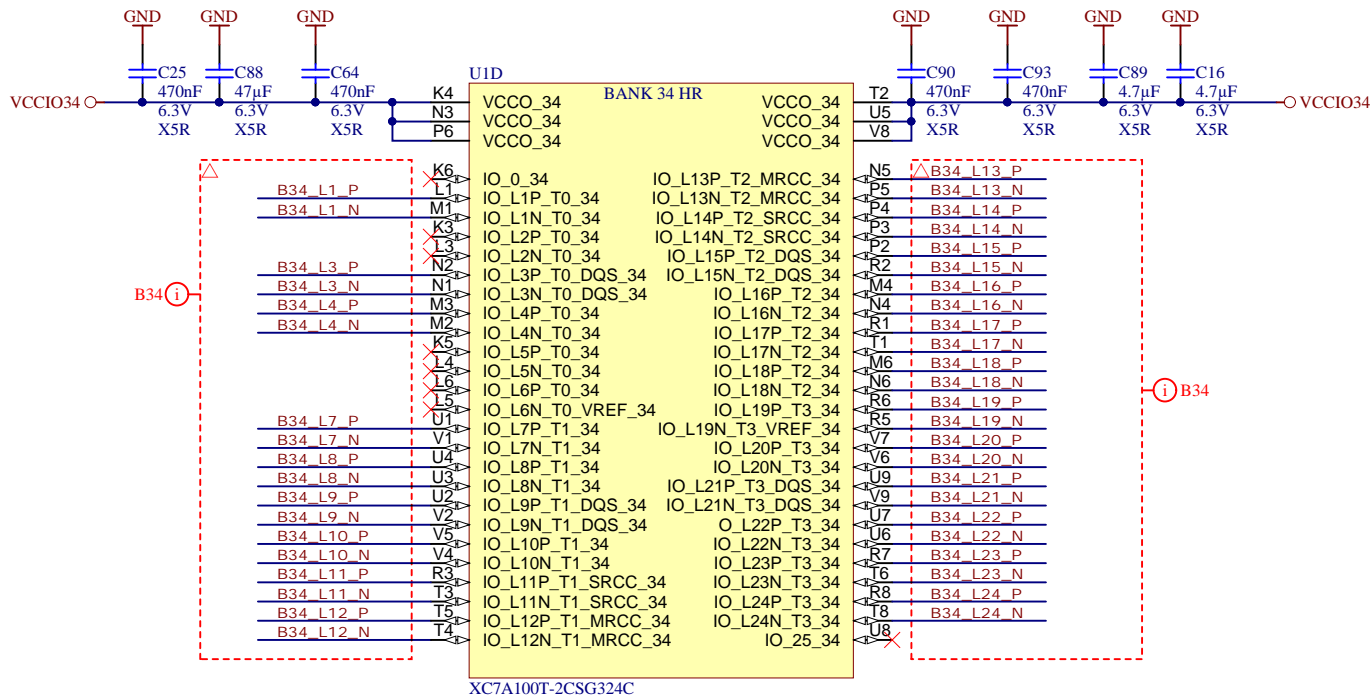
	Title: TE0725LP - FPGA CFG		
	A4	Number: TE0725LP 72C-1T	Rev. 01
	Date: 2016-07-21	Copyright: Trenz Electronic GmbH / TT	Page 4 of 10
	Filename: FPGA_CFG.SchDoc		



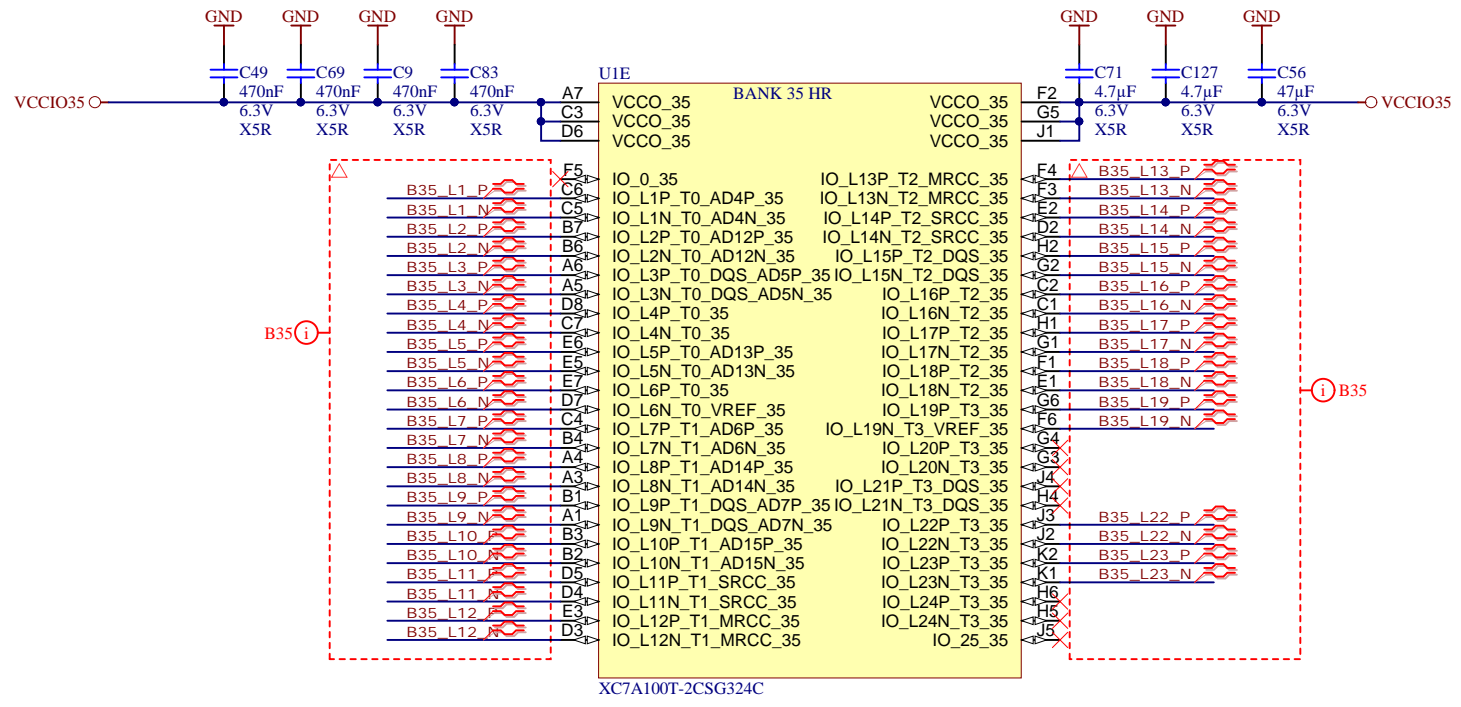
			Title: TE0725LP - B14 & B16	
			A4	Number: TE0725LP 72C-1T
Date: 2016-07-21		Copyright: Trenz Electronic GmbH / TT		Page5 of 10
Filename: B14_B16.SchDoc				



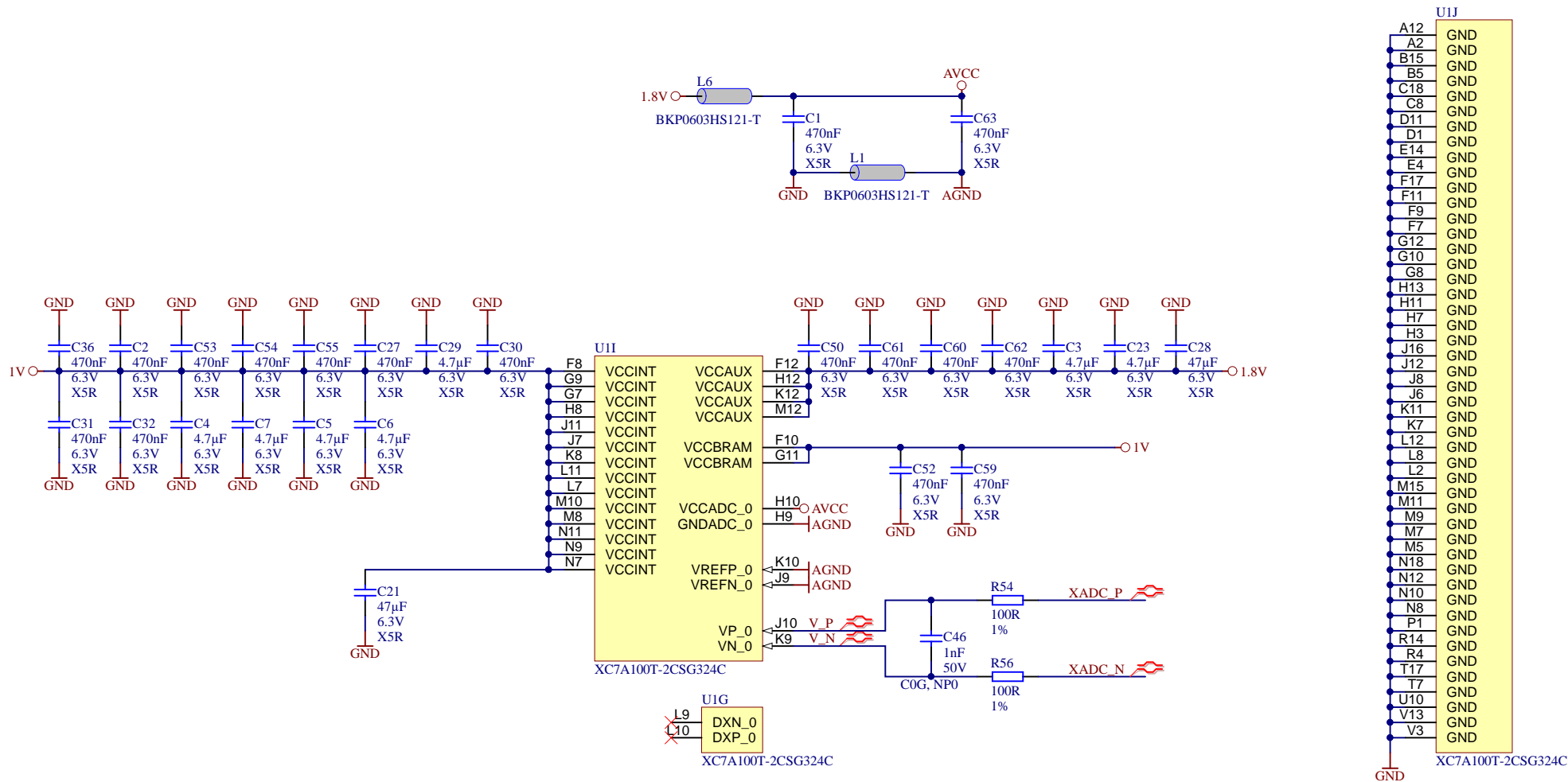

Title: TE0725LP - B15		
A4	Number: TE0725LP 72C-1T	Rev. 01
Date: 2016-07-21	Copyright: Trenz Electronic GmbH / TT	Page6 of 10
Filename: B15.SchDoc		



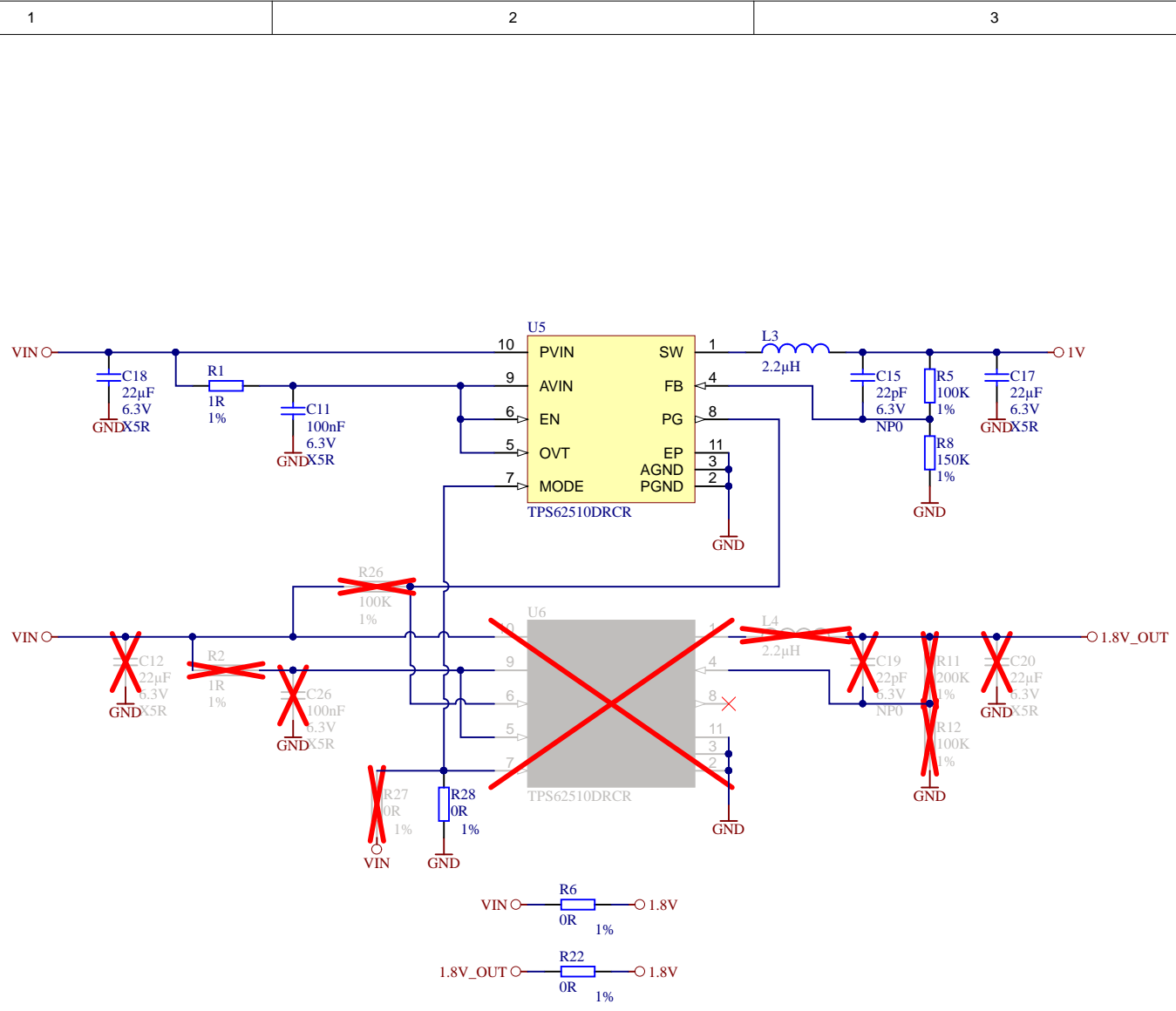
Title: TE0725LP - B34		
A4	Number: TE0725LP 72C-1T	Rev. 01
Date: 2016-07-21	Copyright: Trenz Electronic GmbH / TT	Page 7 of 10
Filename: B34.SchDoc		




Title: TE0725LP - B35		
A4	Number: TE0725LP 72C-1T	Rev. 01
Date: 2016-07-21	Copyright: Trenz Electronic GmbH / TT	Page 8 of 10
Filename: B35.SchDoc		

Title: TE0725LP - FPGA PWR MISC		
A4	Number: TE0725LP 72C-1T	Rev. 01
Date: 2016-07-21	Copyright: Trenz Electronic GmbH / TT	Page9 of 10
Filename: FPGA_PWR_MISC.SchDoc		



			Title: TE0725LP - POWER	
			A4	Number: TE0725LP 72C-1T
Date: 2016-07-21		Copyright: Trenz Electronic GmbH		Page 10 of 10
Filename: POWER.SchDoc				