

U\_FPGA\_PWR\_MISC  
FPGA\_PWR\_MISC.SchDoc

U\_FPGA\_CFG  
FPGA\_CFG.SchDoc

U\_B14\_B16  
B14\_B16.SchDoc

U\_B15  
B15.SchDoc

U\_B34  
B34.SchDoc

U\_B35  
B35.SchDoc

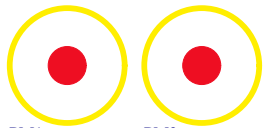
U\_B2B\_Connector  
B2B\_Connector.SchDoc

U\_POWER  
POWER.SchDoc

LOGO1

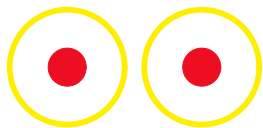
TE Logo PRINT Layer

LOGO PRINT



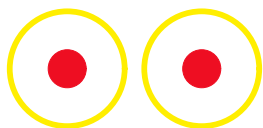
PM1

PM2



PM4

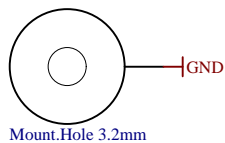
PM5




PM6

PM3

Serial  
Serial  
Serialnumber 6,3 x 6.3mm



Mount.Hole 3.2mm

			Title: TE0725LP - Overview		
			A4	Number: TE0725LP 72I-1T	Rev. 01
Date: 2016-07-21		Copyright: Trenz Electronic GmbH / TT		Page1 of 10	
Filename: TE0725LP.SchDoc					

A

B

C

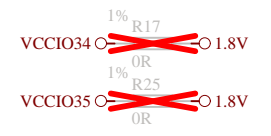
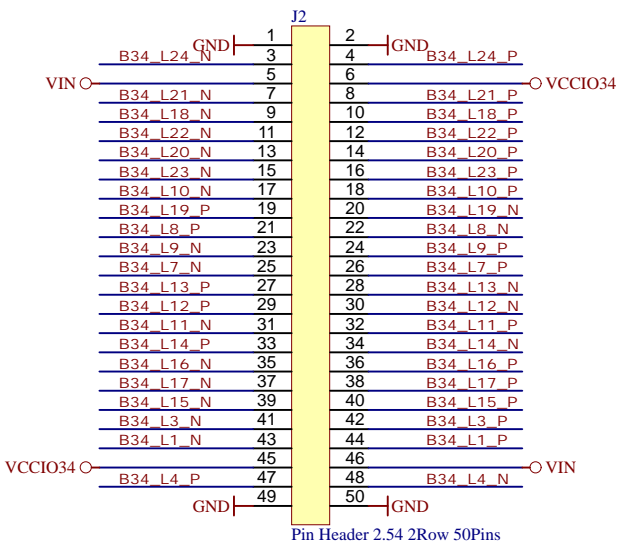
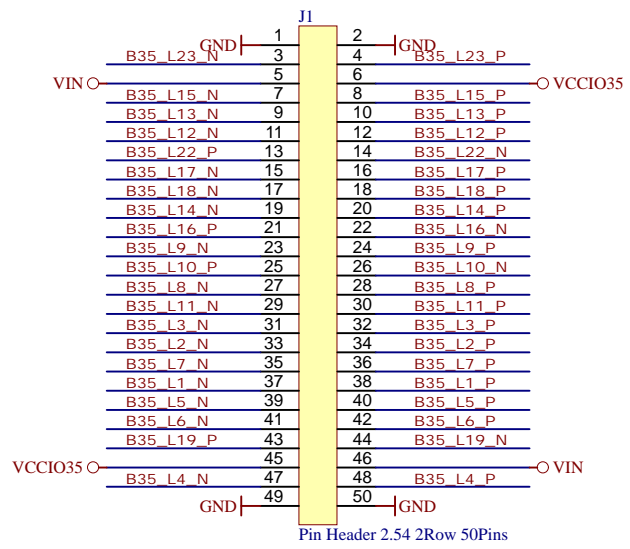
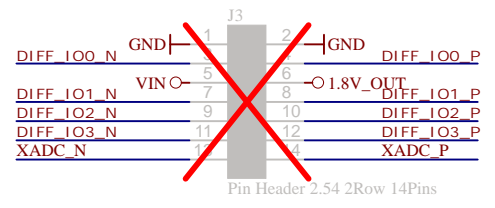
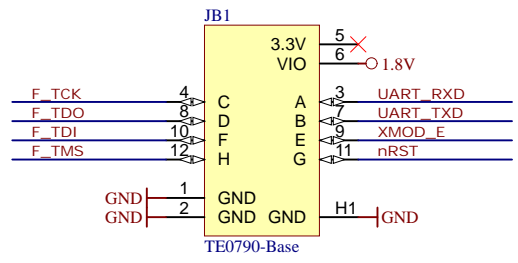
D

A

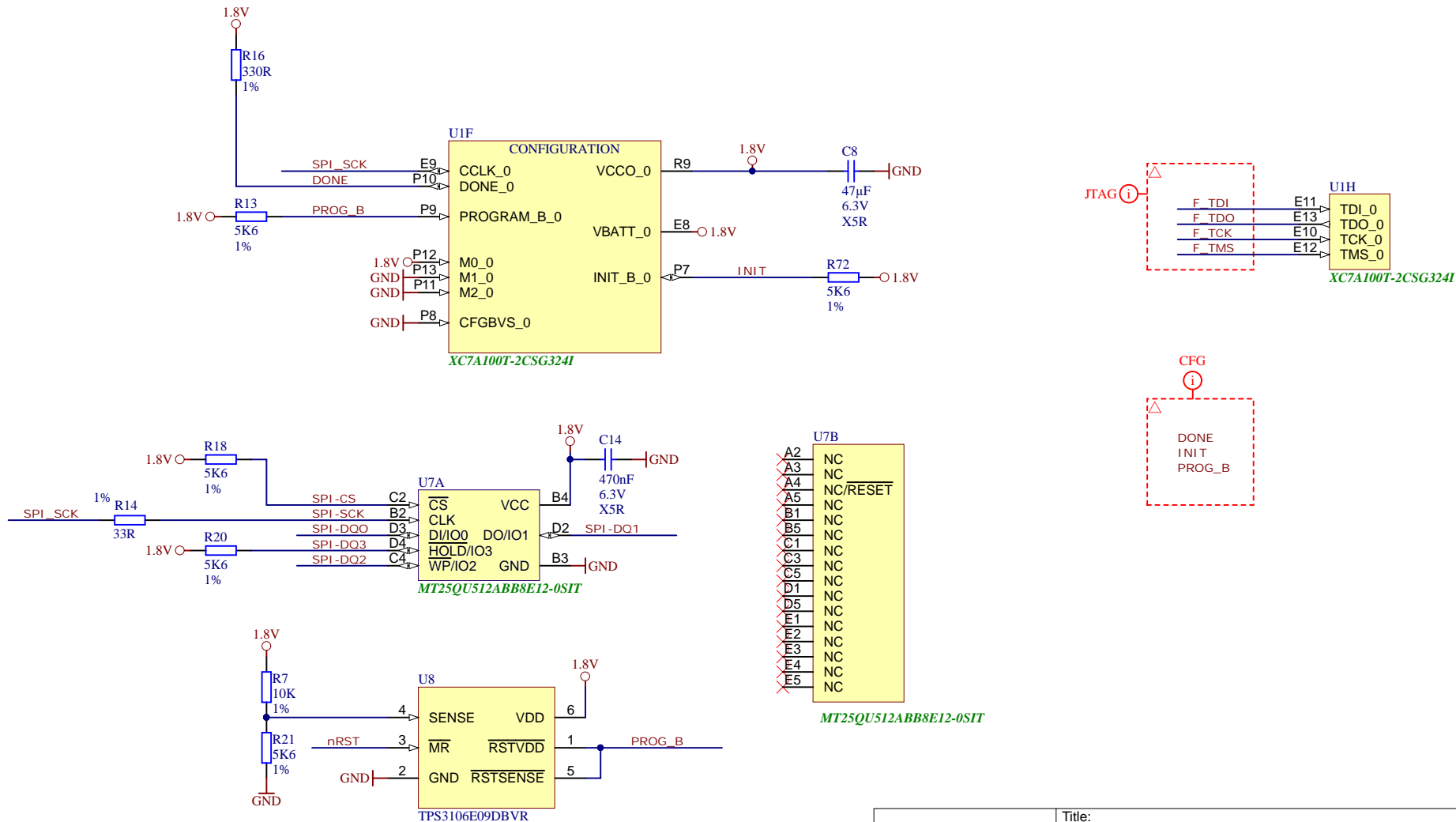
B

C

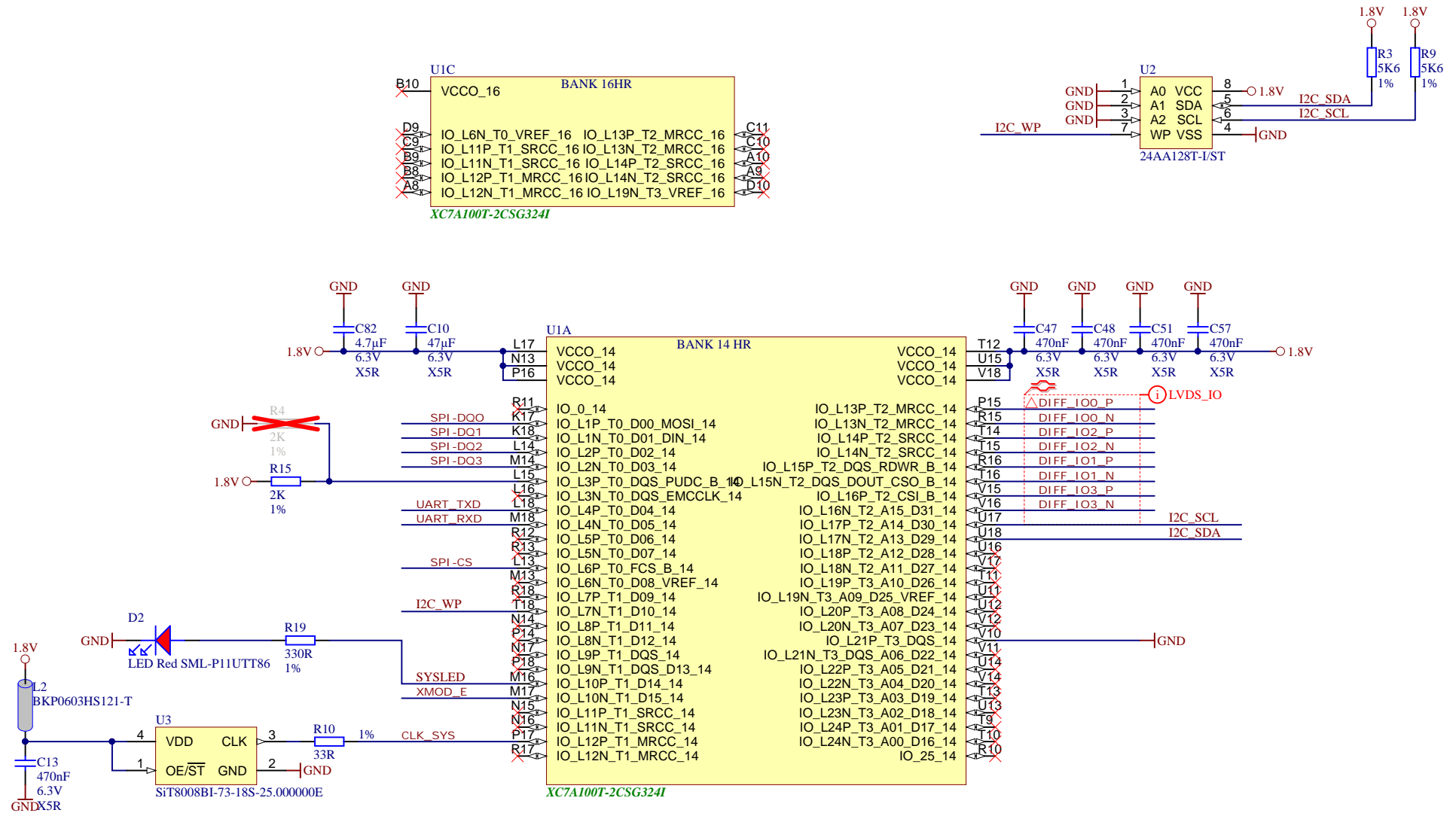
D




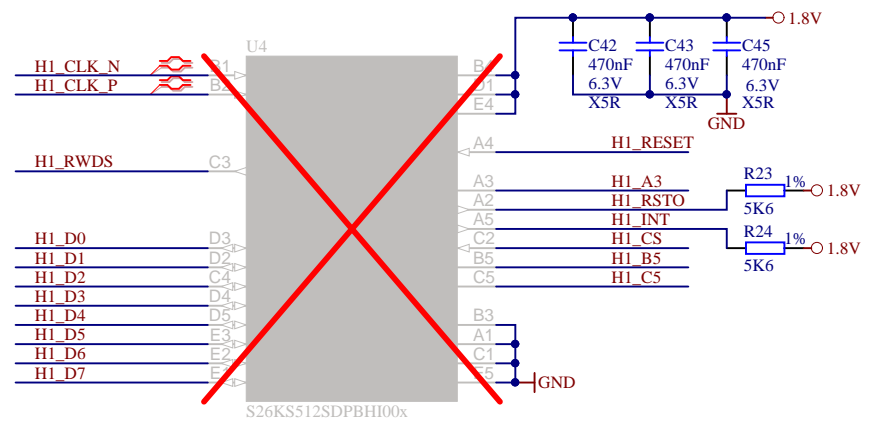
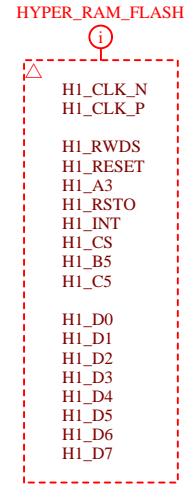
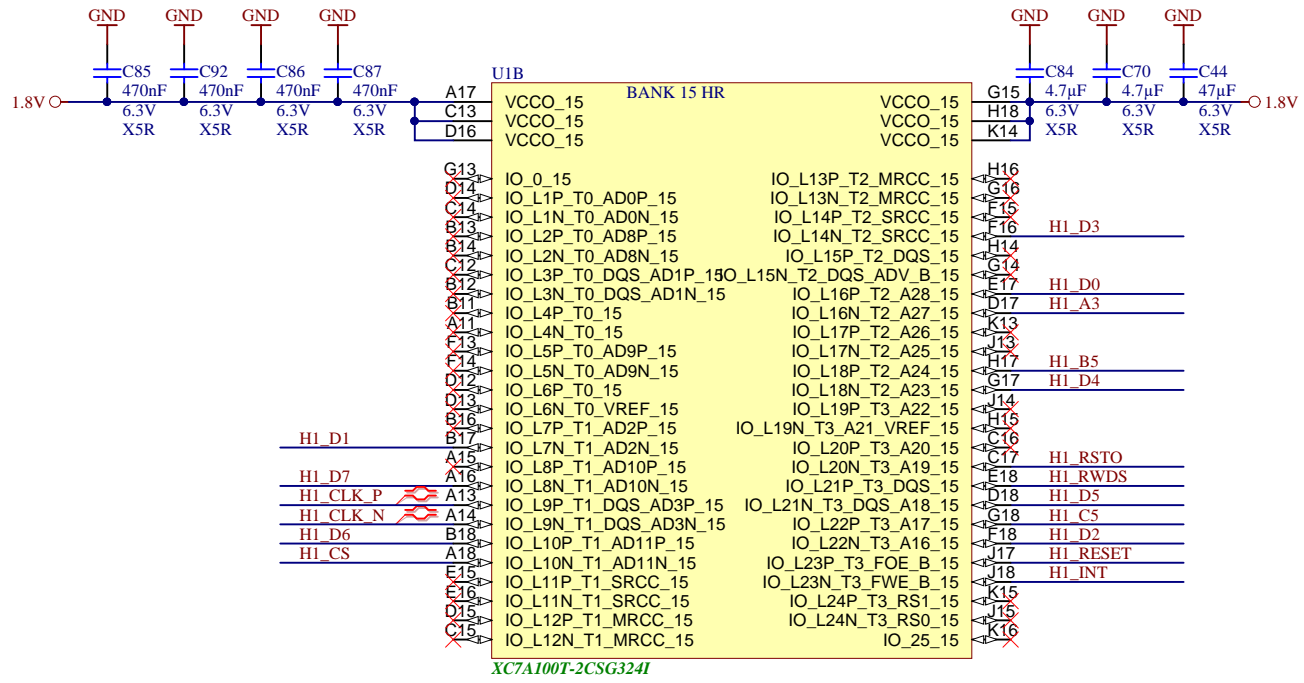
	Title: TE0725LP - B2B Connectors		
	A4	Number: TE0725LP 72I-1T	Rev. 01
	Date: 2016-07-21	Copyright: Trenz Electronic GmbH / TT	Page2 of 10
	Filename: B2B_Connector.SchDoc		



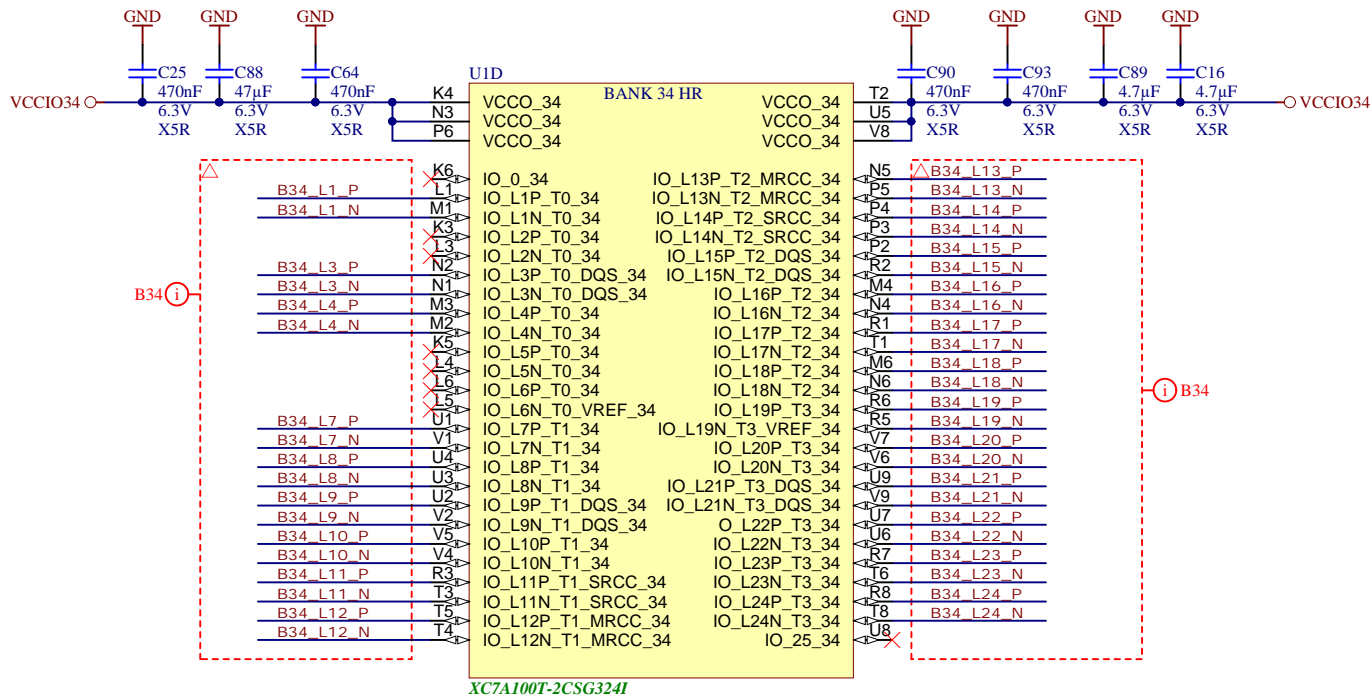
Title: TE0725LP - FPGA CFG		
A4	Number: TE0725LP 72I-1T	Rev. 01
Date: 2016-07-21	Copyright: Trenz Electronic GmbH / TT	Page4 of 10
Filename: FPGA_CFG.SchDoc		



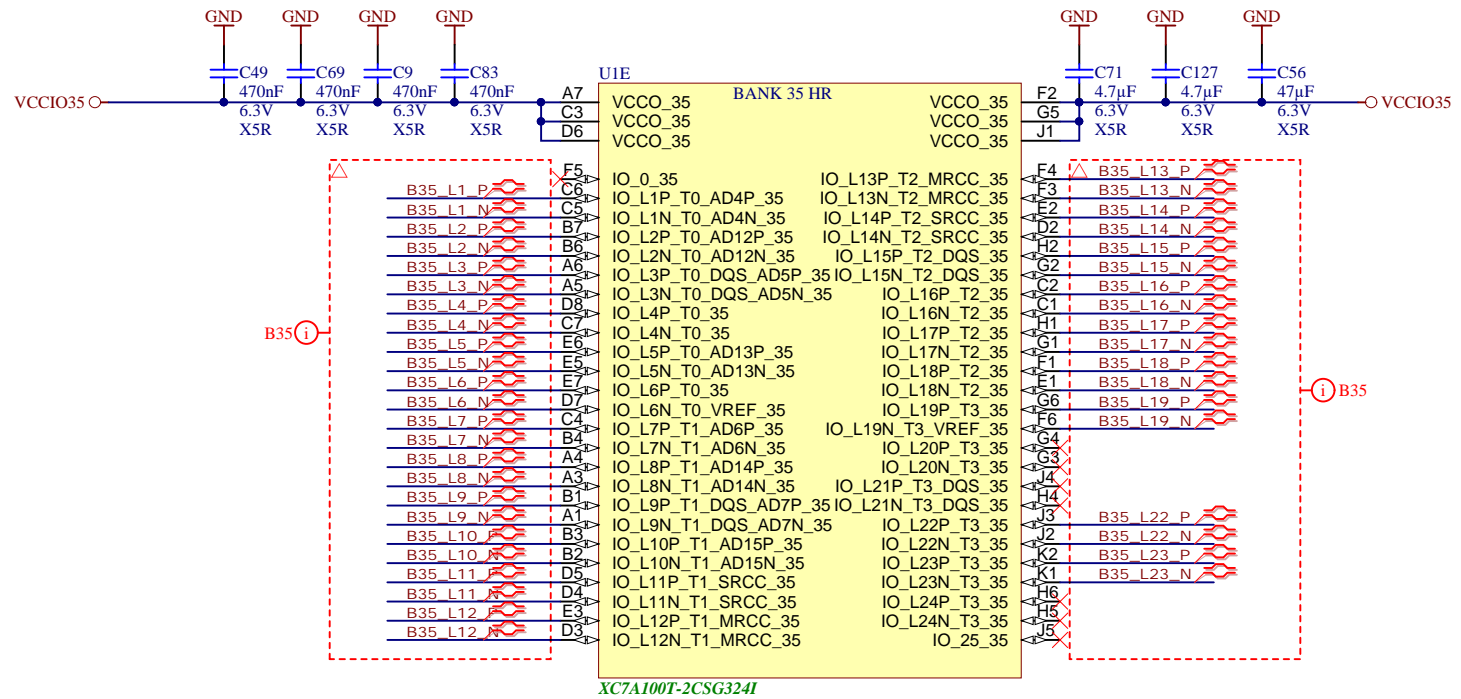
		Title: TE0725LP - B14 & B16	
		A4	Number: TE0725LP 72I-1T
Date: 2016-07-21		Copyright: Trenz Electronic GmbH / TT	
Filename: B14_B16.SchDoc		Rev. 01	Page 5 of 10



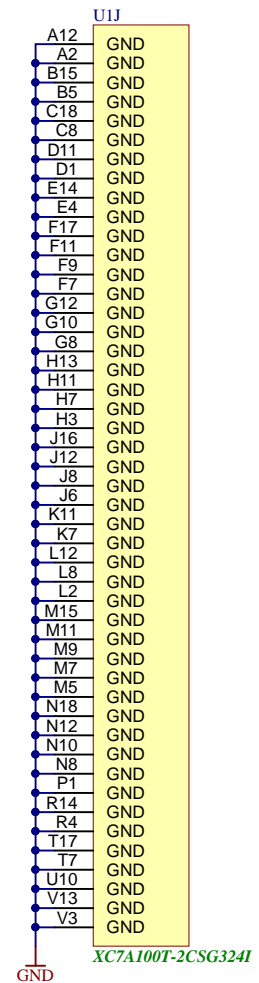
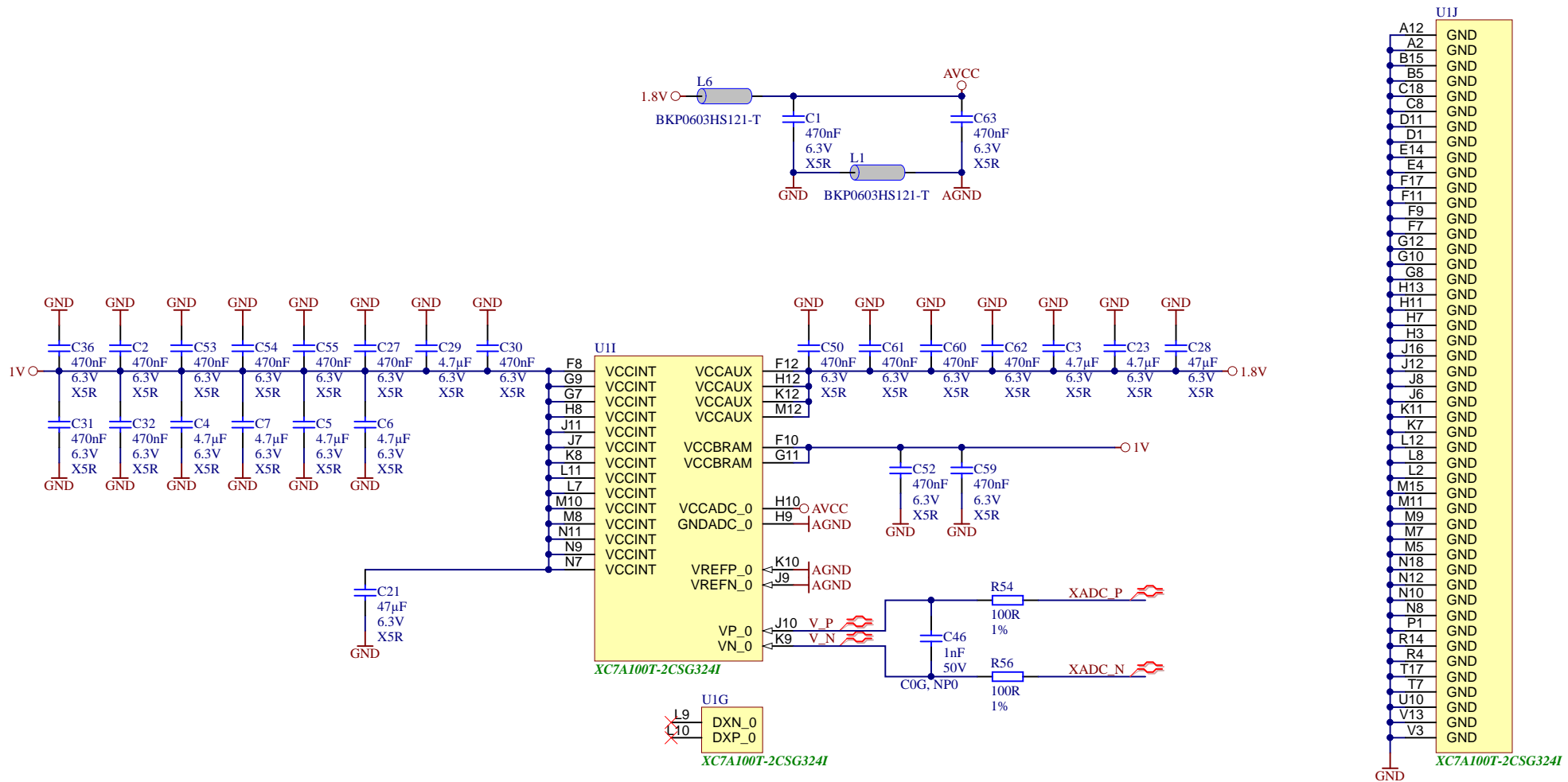
Title: TE0725LP - B15		
A4	Number: TE0725LP 72I-1T	Rev. 01
Date: 2016-07-21	Copyright: Trenz Electronic GmbH / TT	Page 6 of 10
Filename: B15.SchDoc		




Title: TE0725LP - B34		
A4	Number: TE0725LP 72I-1T	Rev. 01
Date: 2016-07-21	Copyright: Trenz Electronic GmbH / TT	Page 7 of 10
Filename: B34.SchDoc		

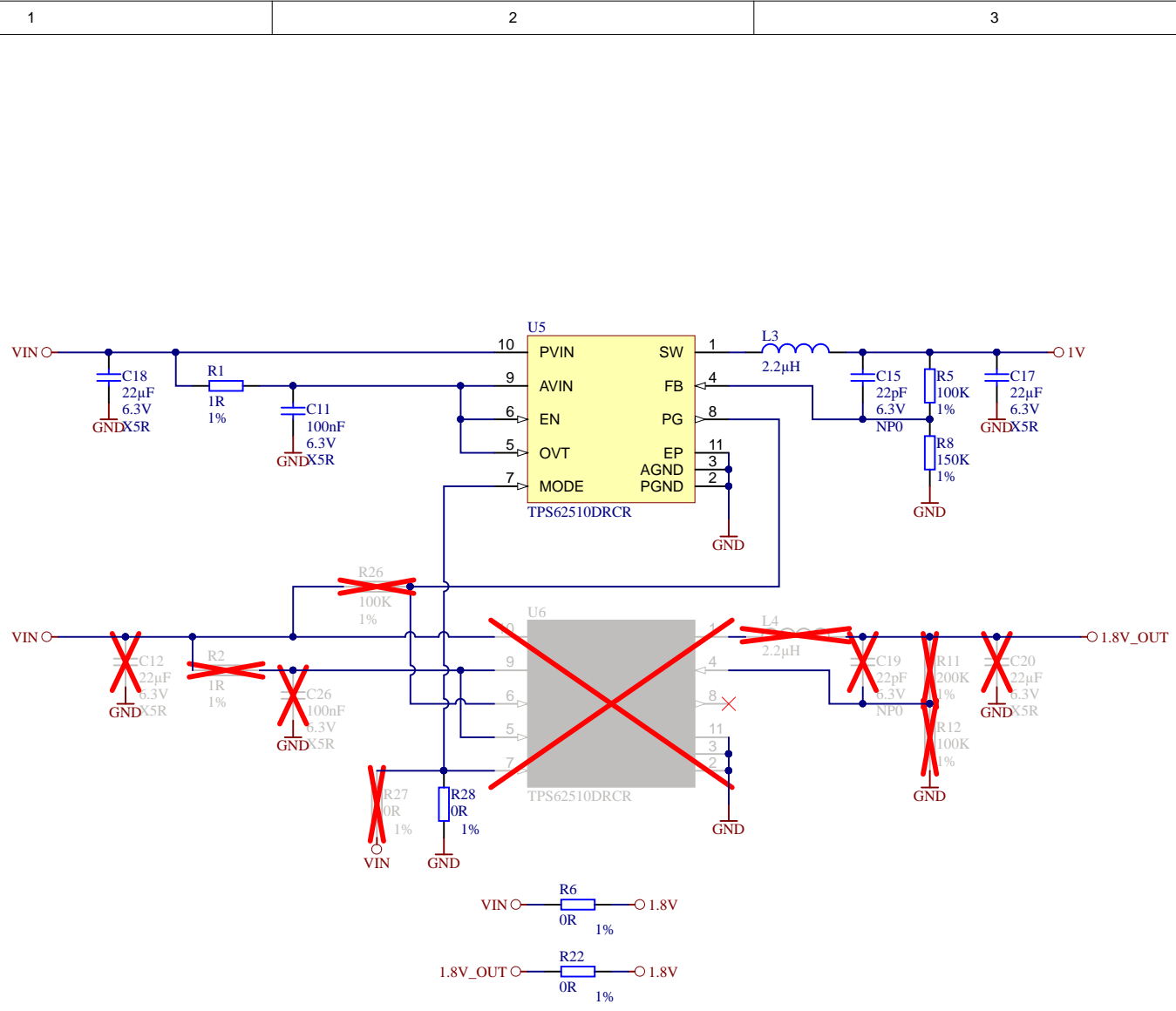



Title: TE0725LP - B35		
A4	Number: TE0725LP 72I-1T	Rev. 01
Date: 2016-07-21	Copyright: Trenz Electronic GmbH / TT	Page 8 of 10
Filename: B35.SchDoc		



			Title: TE0725LP - FPGA PWR MISC	
			A4	Number: TE0725LP 72I-1T
Date: 2016-07-21		Copyright: Trenz Electronic GmbH / TT		Page9 of 10
Filename: FPGA_PWR_MISC.SchDoc				





			Title: TE0725LP - POWER	
			A4	Number: TE0725LP 72I-1T
Date: 2016-07-21		Copyright: Trenz Electronic GmbH		Page 10 of 10
Filename: POWER.SchDoc				