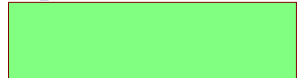
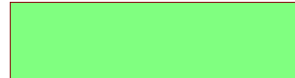


U_B2B_Connectors
B2B_Connectors.SchDoc



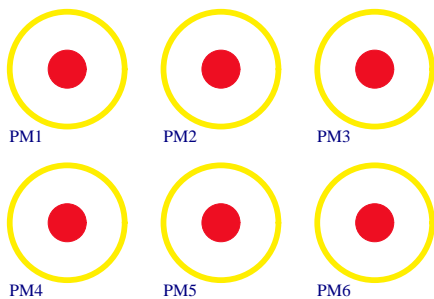
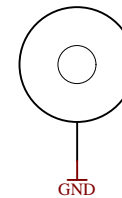
U_xmod
xmod.SchDoc



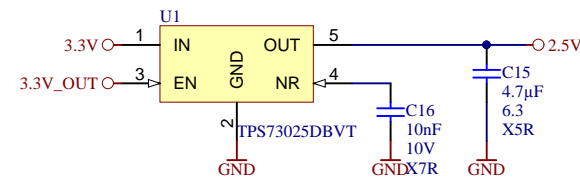
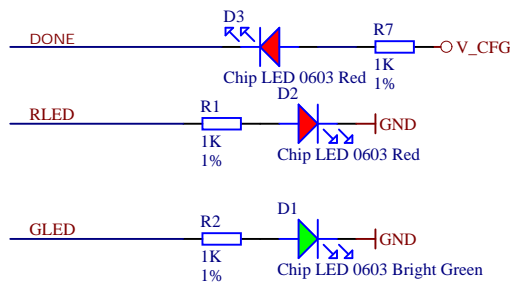
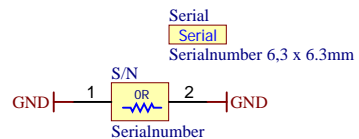
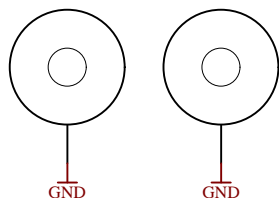
U_SFP
SFP.SchDoc



Mount.Hole 3.2mm



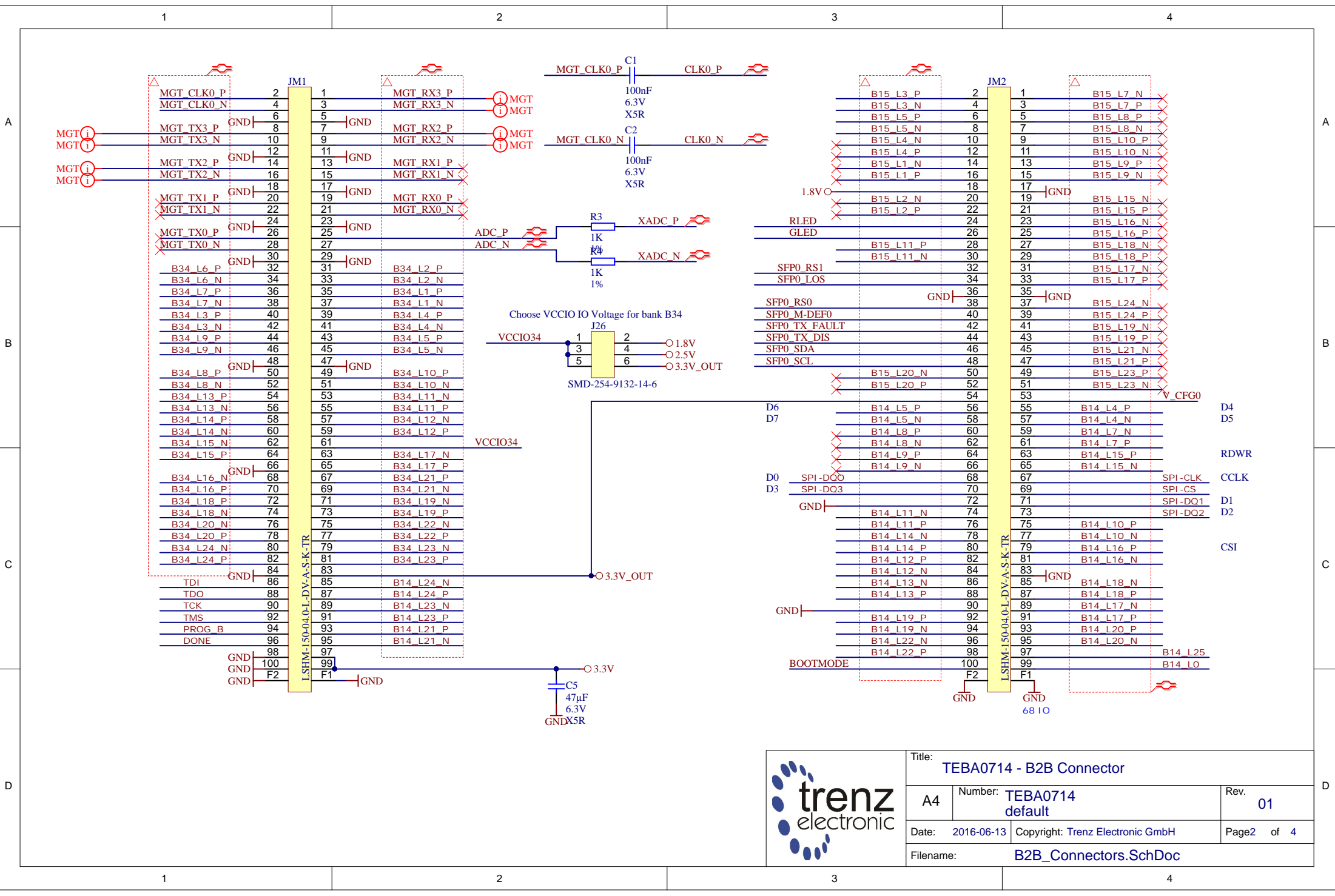
Mount.Hole 3.2mm Mount.Hole 3.2mm




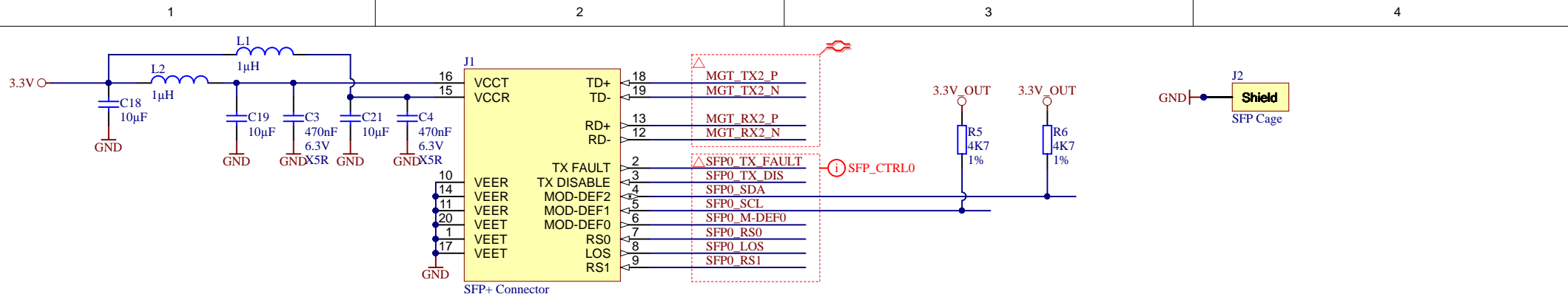
LOGO1
TE Logo PRINT Layer
LOGO PRINT


SNAP1
SNAP
SNAP for TE0714 (40x30 mm)

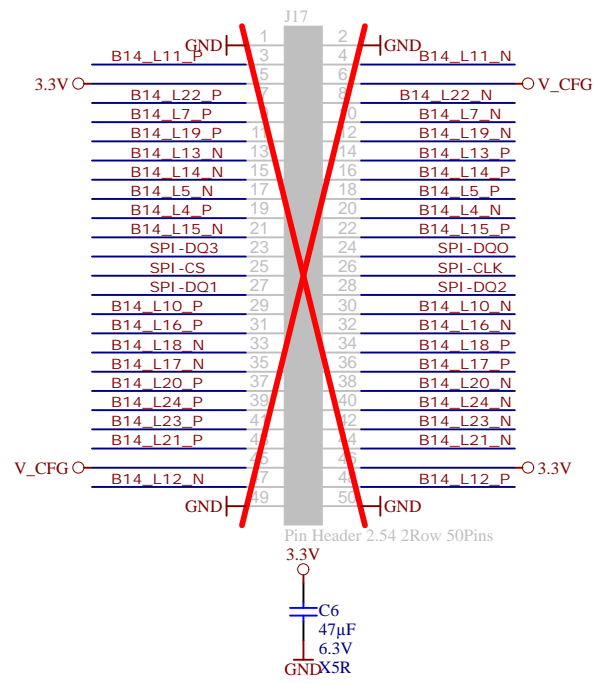
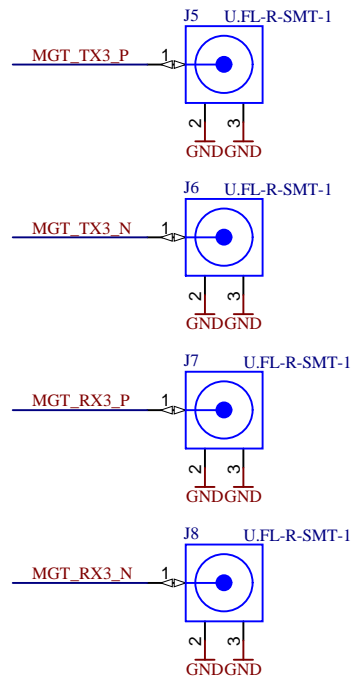
		Title: TEBA0714	
		A4	Number: TEBA0714 default
Date: 2016-06-13		Copyright: Trenz Electronic GmbH	
Page1		of 4	
Filename: TEBB0714.SchDoc			



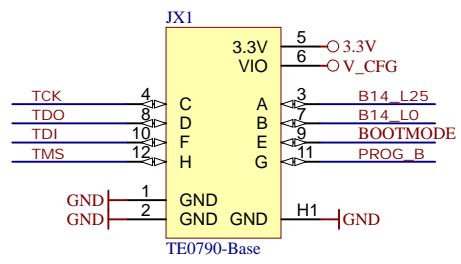
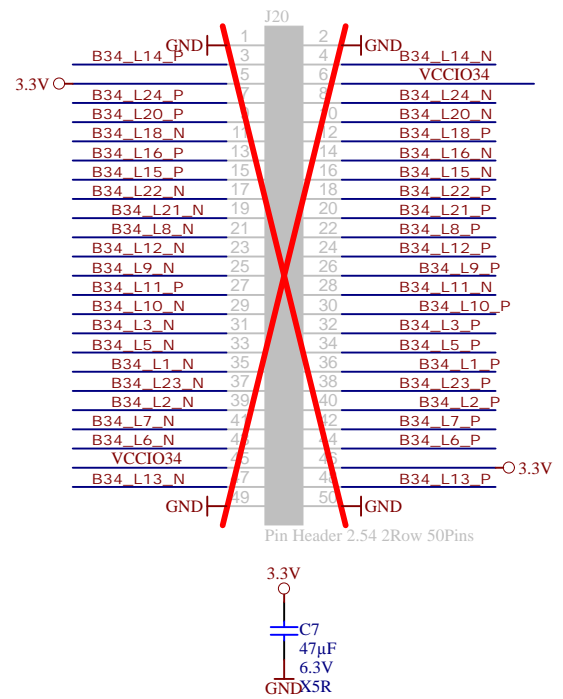
			Title: TEBA0714 - B2B Connector	
			A4	Number: TEBA0714 default
Date: 2016-06-13		Copyright: Trenz Electronic GmbH		Page2 of 4
Filename: B2B_Connectors.SchDoc				



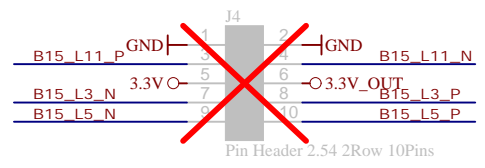
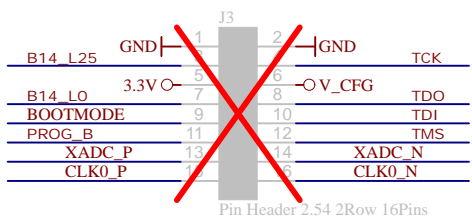
	Title: TEBA0714 - SFP		
	A4	Number: TEBA0714 default	Rev. 01
	Date: 2016-06-13	Copyright: Trenz Electronic GmbH / TT	Page 3 of 4
	Filename: SFP.SchDoc		



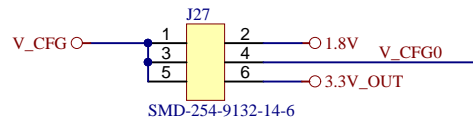
- CCLK
- D0
- D2
- D4
- D6
- RDWR
- CSI
- D1
- D3
- D5
- D7



XMOD-FT2232H header: JTAG and UART



Choose IO Reference for the XMOD/JTAG Adapter



Title: TEBA0714 - xmod		
A4	Number: TEBA0714 default	Rev. 01
Date: 2016-06-13	Copyright: Trenz Electronic GmbH / TT	Page 4 of 4
Filename: xmod.SchDoc		