

U_FPGA_IO
FPGA_IO.SchDoc



U_FPGA_MGT
FPGA_MGT.SchDoc



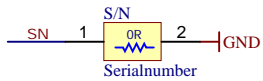
U_FPGA_MISC
FPGA_MISC.SchDoc



U_B2B_Connector
B2B_Connector.SchDoc



U_POWER
POWER.SchDoc

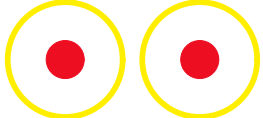


LOGO1

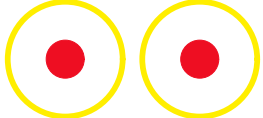
TE Logo PRINT Layer

LOGO PRINT

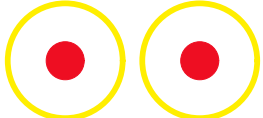
FIDU-DOT - small FIDU-DOT - small



PM1 PM2
FIDU-DOT - small FIDU-DOT - small



PM4 PM5
FIDU-DOT - small FIDU-DOT - small



PM6 PM3

Top of Board



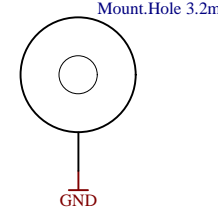
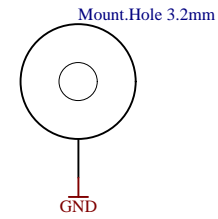
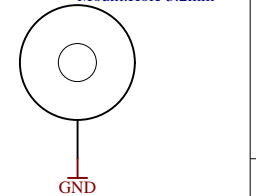
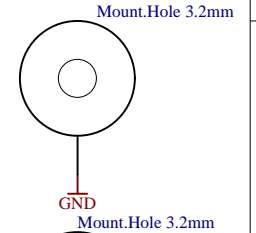
Screw M3x4



Distance Holder M3x8



Screw M3x6



Screw M3x4



Distance Holder M3x8



Screw M3x6



Title: TE0714		
A4	Number: 1 TE0714-01-35-2IC6	Rev. 01
Date: 2016-03-29	Copyright: Trenz Electronic GmbH / TT	Page 1 of 6
Filename: TE0714.SchDoc		

A

B

C

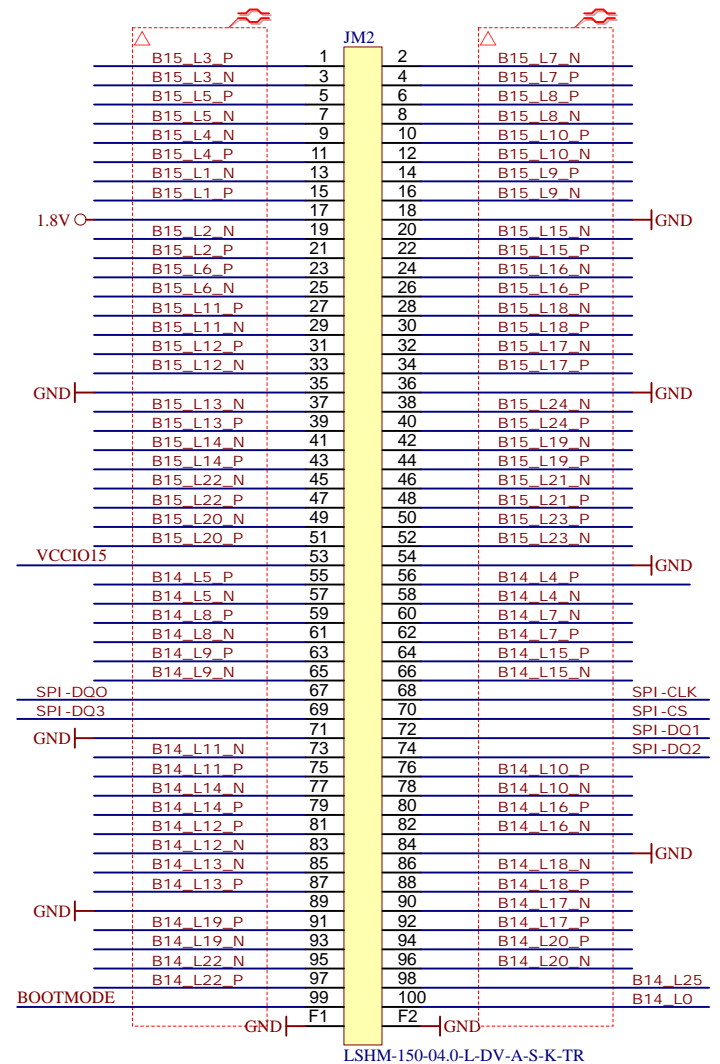
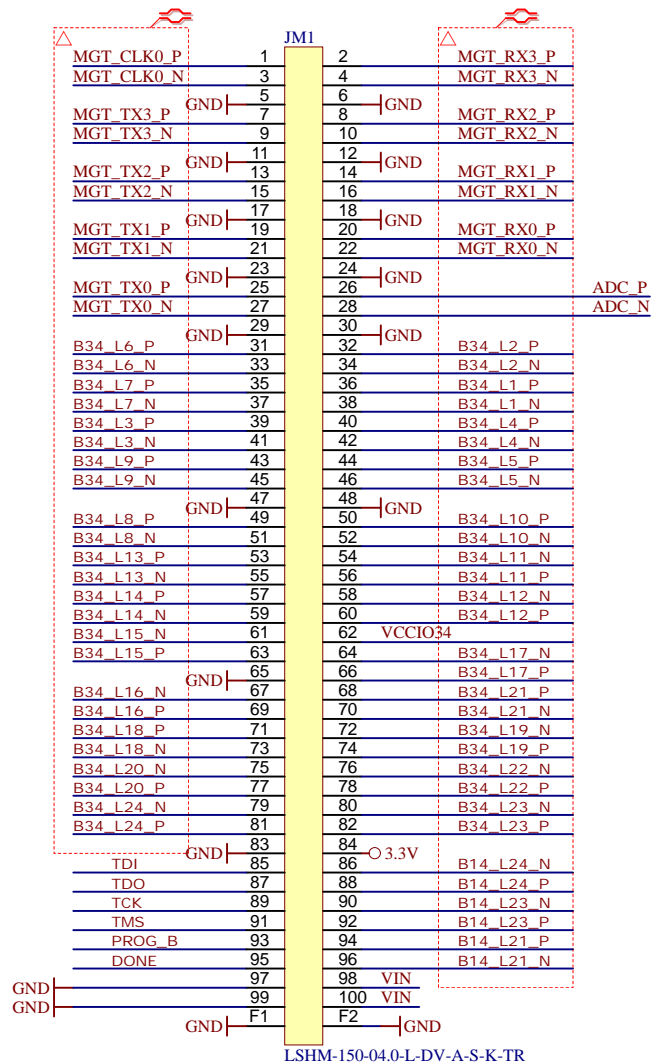
D

A

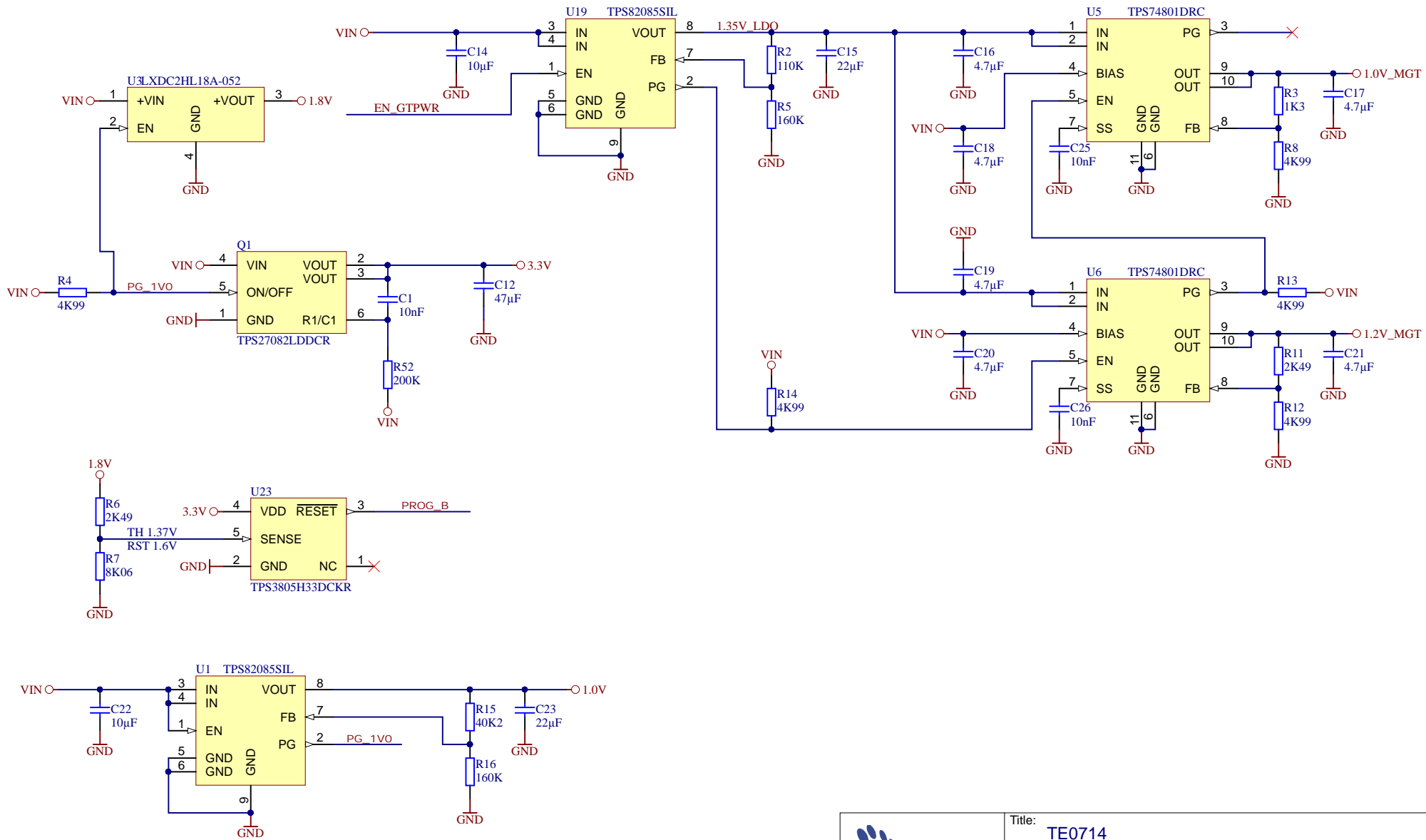
B

C

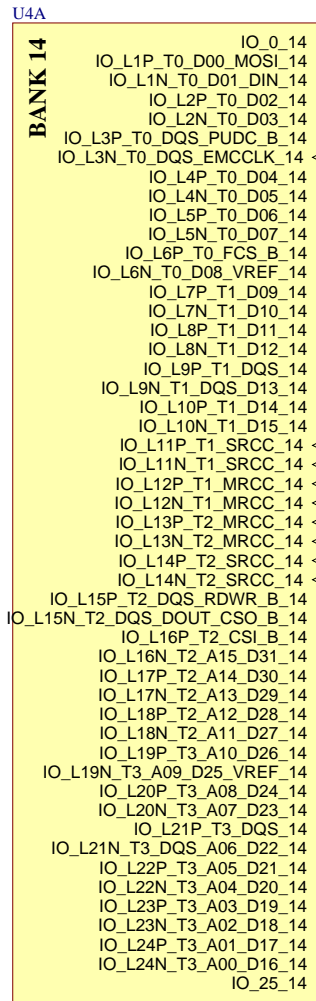
D



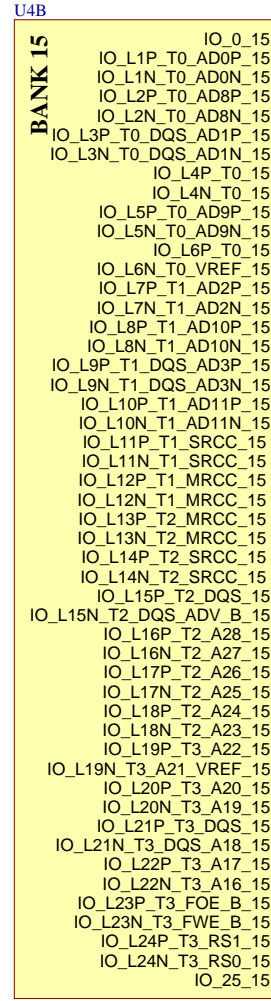
Title: TE0714		
A4	Number: 2 TE0714-01-35-2IC6	Rev. 01
Date: 2016-03-29	Copyright: Trenz Electronic GmbH / TT	Page2 of 6
Filename: B2B_Connector.SchDoc		



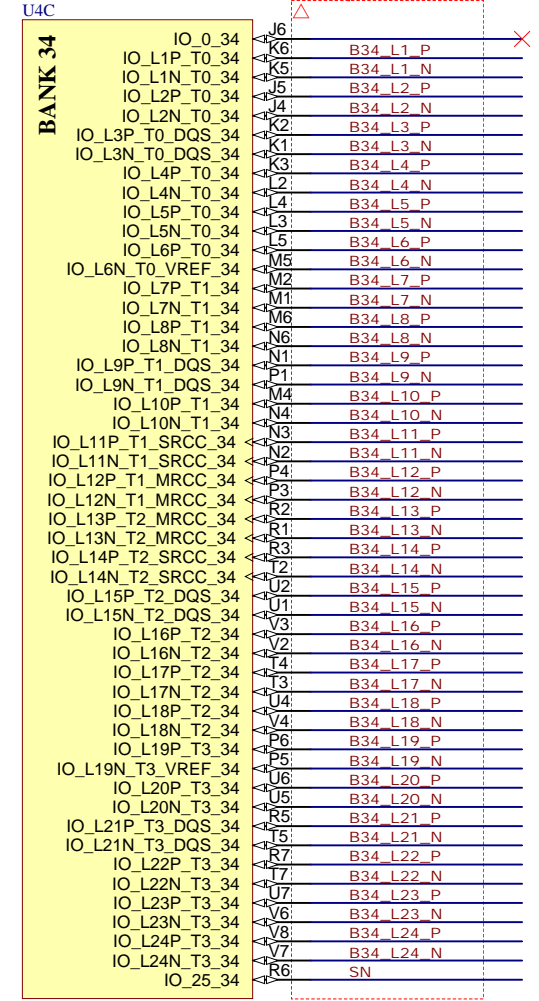
Title: TE0714		
A4	Number: 3 TE0714-01-35-2IC6	Rev. 01
Date: 2016-03-29	Copyright: Trenz Electronic GmbH	Page 3 of 6
Filename: POWER.SchDoc		



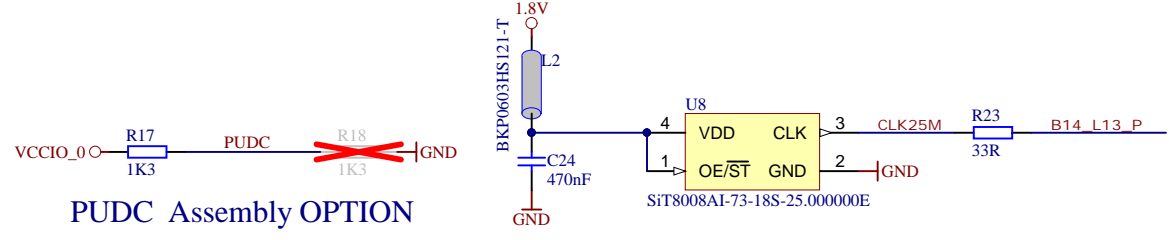
XC7A35T-2CSG325I



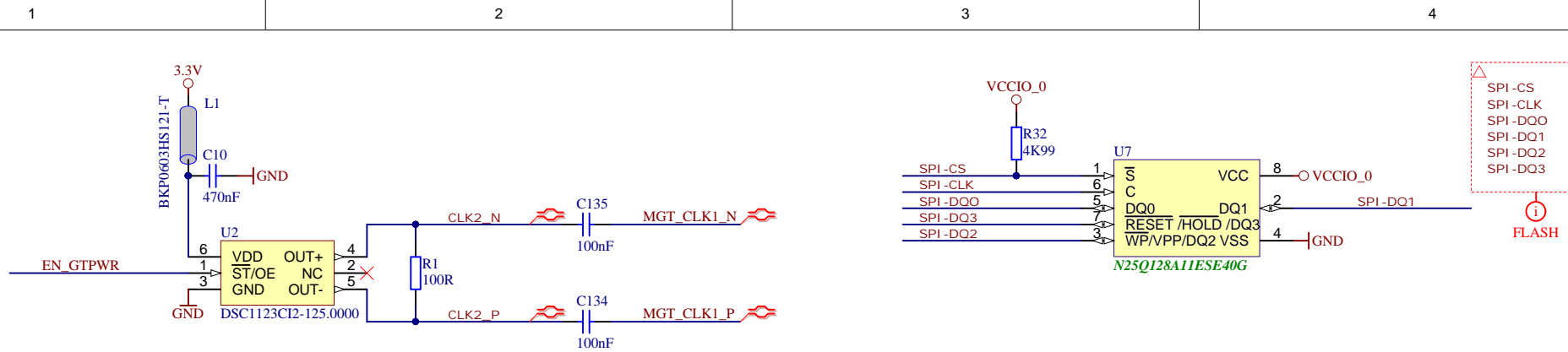
XC7A35T-2CSG325I



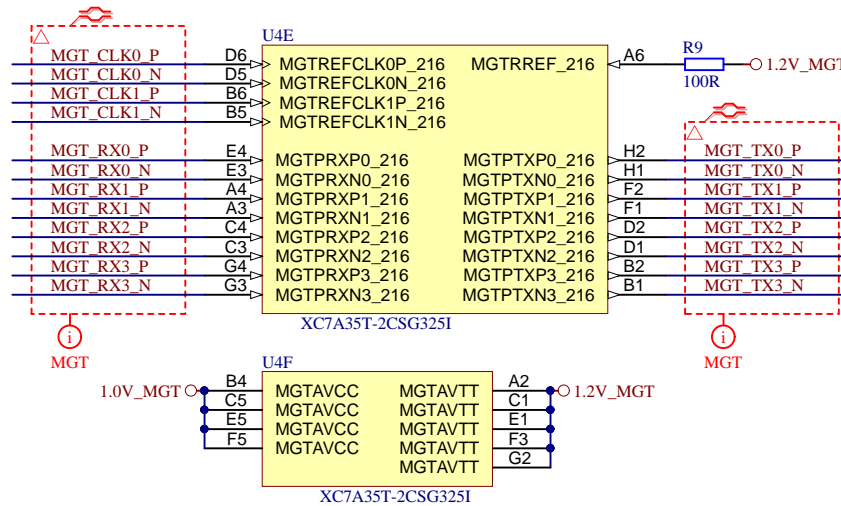
XC7A35T-2CSG325I




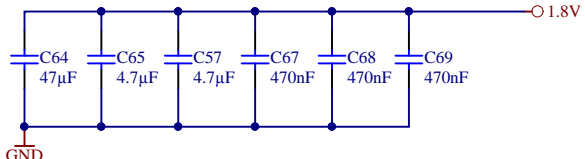
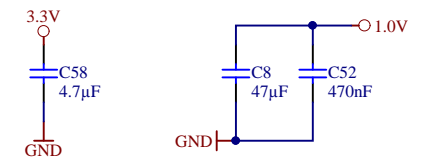
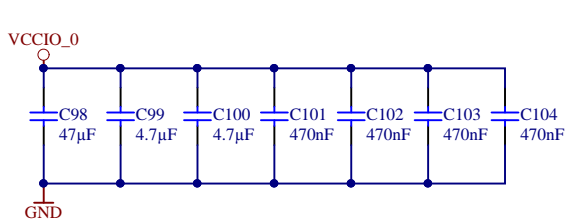
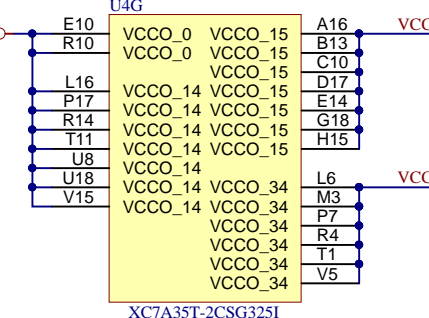
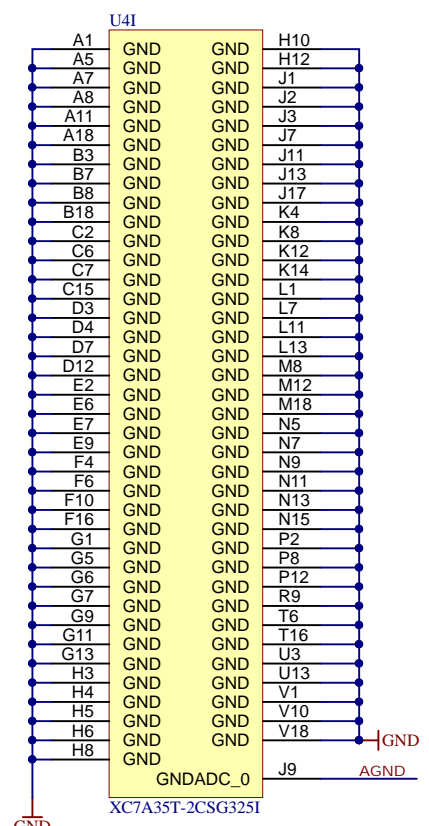
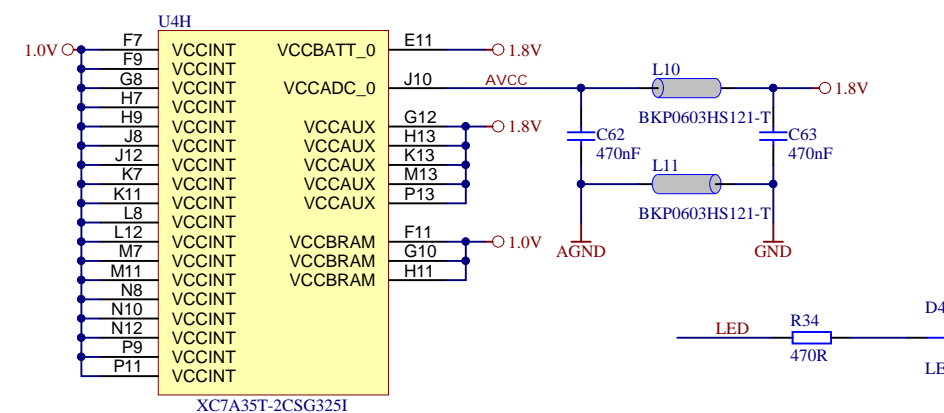
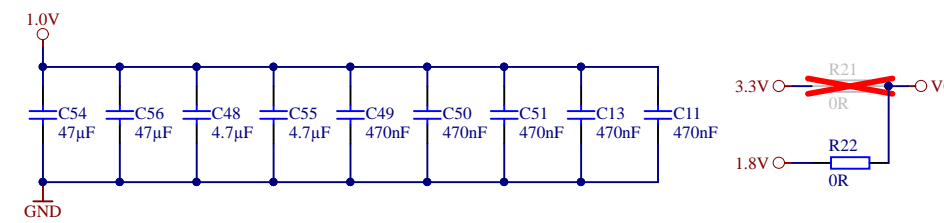
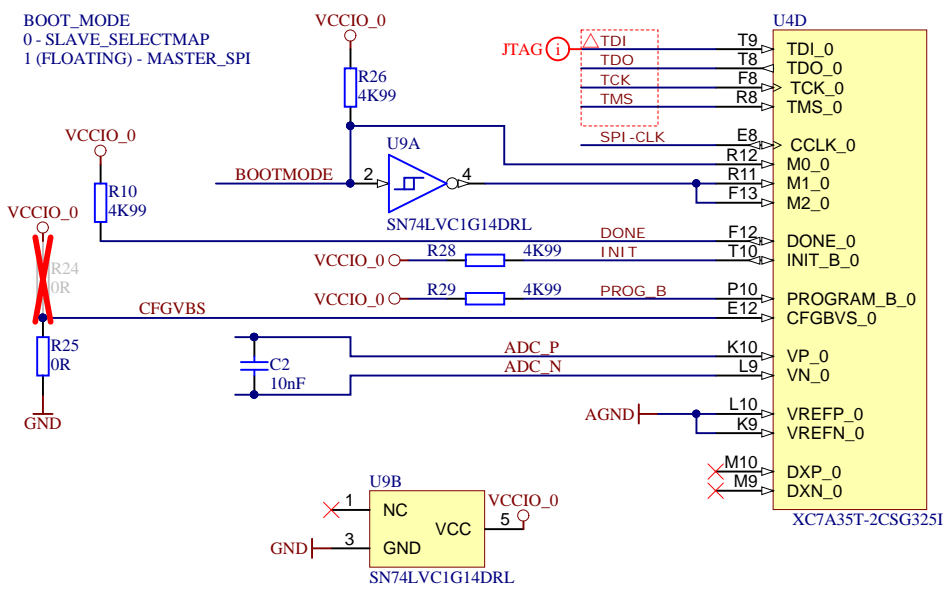
Title: TE0714	
A4	Number: 4
TE0714-01-35-2IC6	
Date: 2016-03-29	Copyright: Trenz Electronic GmbH / TT
Page4	of 6
Rev. 01	
Filename: FPGA_IO.SchDoc	



OSC FREQ is Assembly OPTION = 125MHZ



			Title: TE0714	
			A4	Number: 5 TE0714-01-35-2IC6
Date: 2016-03-29		Copyright: Trenz Electronic GmbH / TT		Page 5 of 6
Filename: FPGA_MGT.SchDoc				



trenz electronic

Title: TE0714		
A4	Number: 6 TE0714-01-35-2IC6	Rev. 01
Date: 2016-03-29	Copyright: Trenz Electronic GmbH / TT	Page6 of 6
Filename: FPGA_MISC.SchDoc		