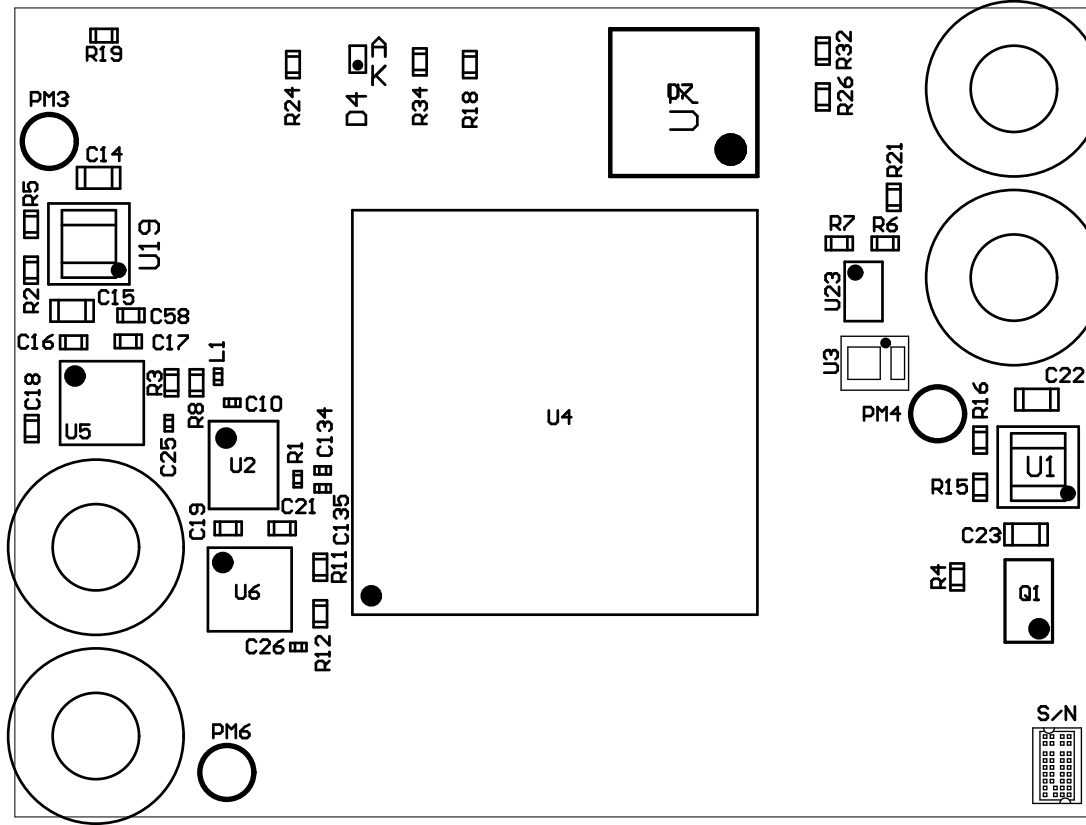
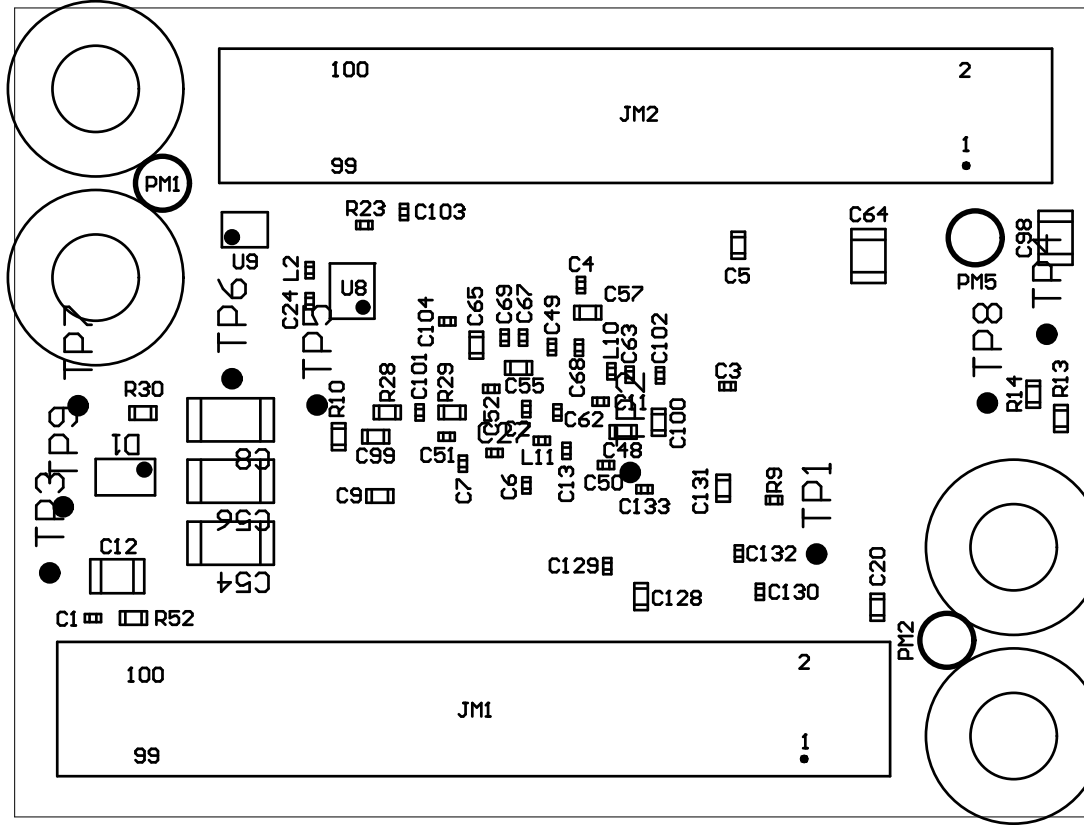


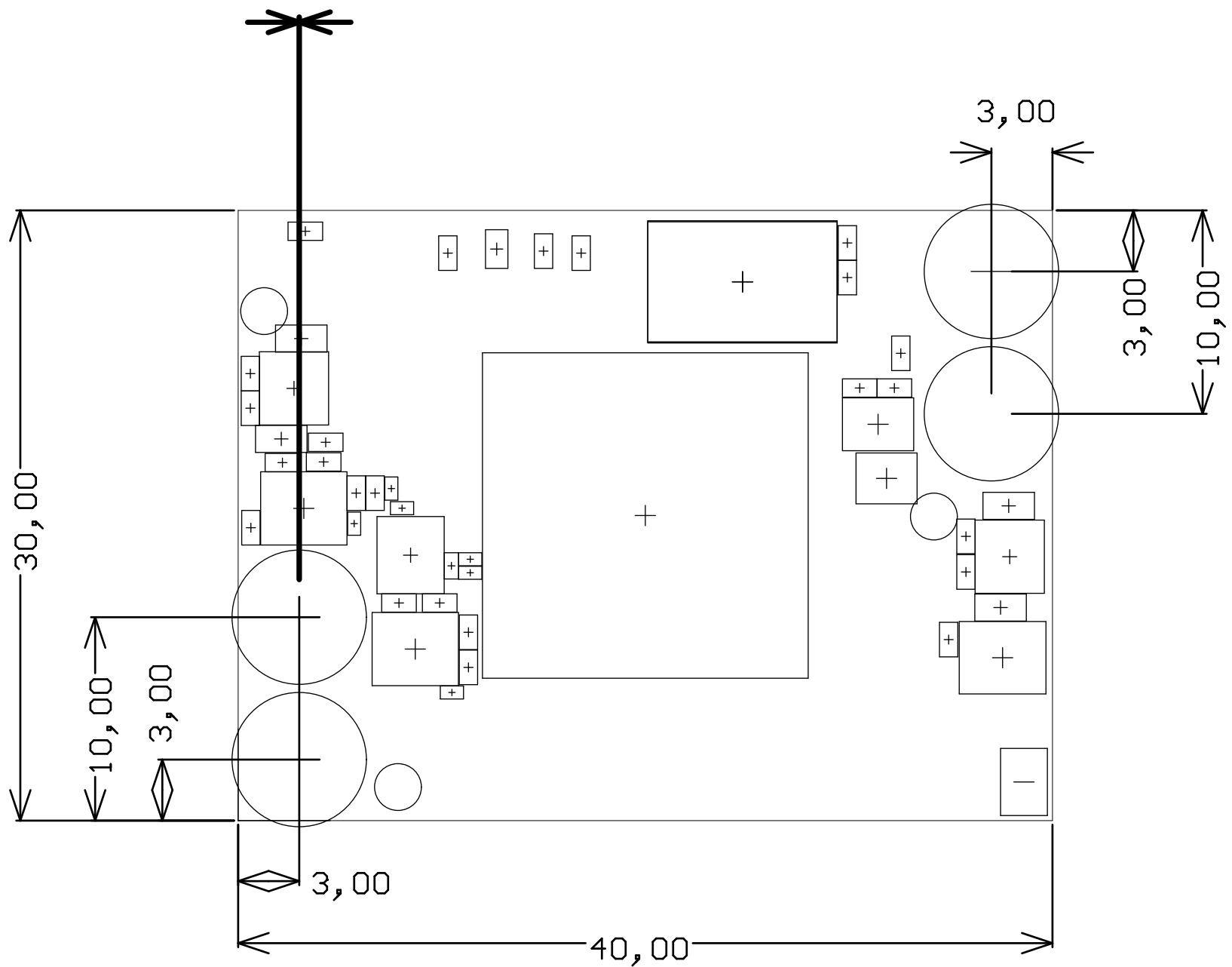
# Top View



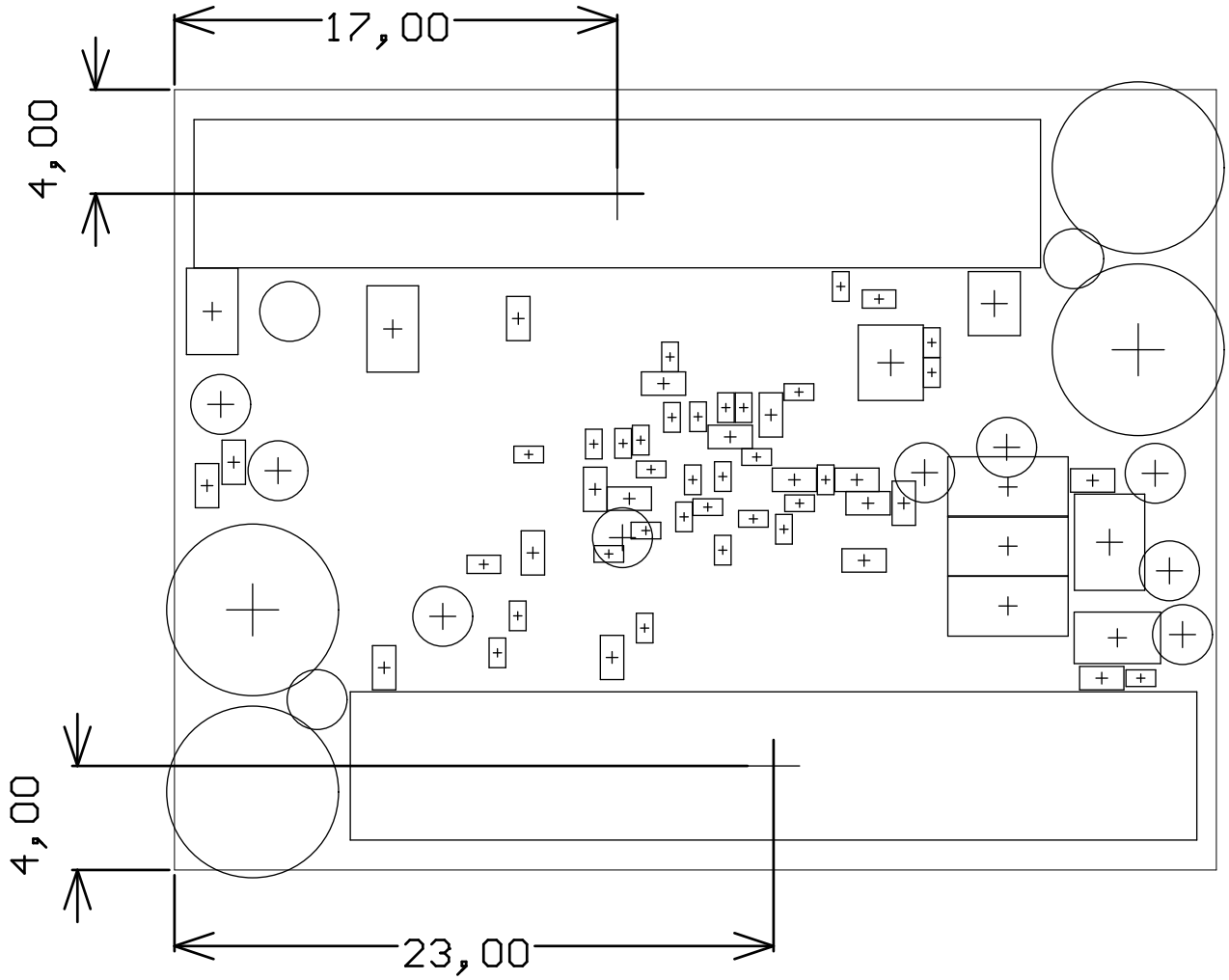
# Bottom View



∅ 0,00mm



Mounting Holes



Samtec Connector S