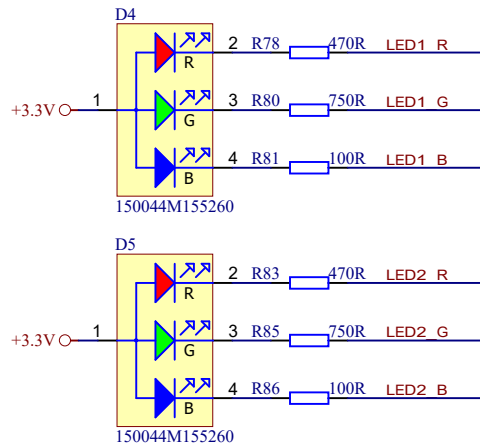
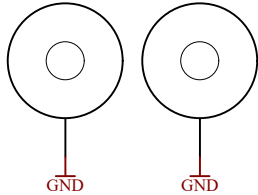


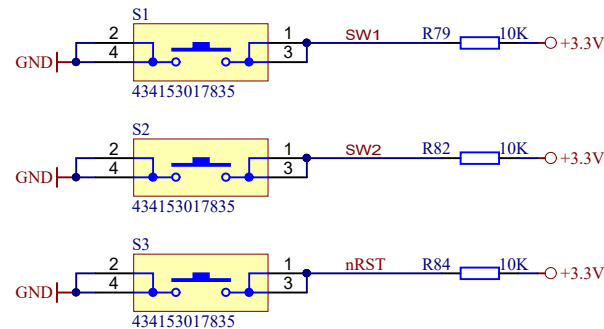
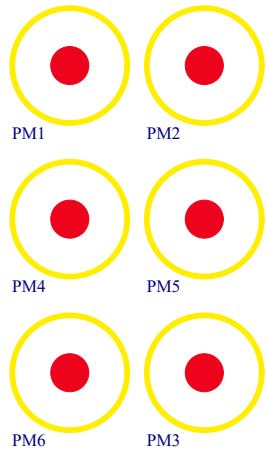
U_B13 B13.SchDoc	U_FPGA-MISC FPGA-MISC.SchDoc	U_Powerboard_Connector Powerboard_Connector.SchDoc
U_B33-B34 B33-B34.SchDoc	U_FPGA-PWR FPGA-PWR.SchDoc	U_FTDI_JTAG FTDI_JTAG.SchDoc
U_B35 B35.SchDoc	U_MIO-BANKS MIO-BANKS.SchDoc	U_SD SD.SchDoc
U_DDR3-RAM DDR3-RAM.SchDoc	U_PS-DDR PS-DDR.SchDoc	U_PWR1 PWR1.SchDoc
U_ETH-PHY ETH-PHY.SchDoc	U_USB-PHY USB-PHY.SchDoc	U_PWR2 PWR2.SchDoc
U_ADC ADC.SchDoc		

Mount.Hole 3.2mm Mount.Hole 3.2mm



Target currents based on manufacturer datasheet for matched intensity (Diode forward voltage) and resulting calculated resistor value:

Red: 3 mA (2.0 V) -> 433R  
 Green: 1 mA (2.6 V) -> 700R  
 Blue: 5 mA (2.8 V) -> 100R



- +1.0V ○ TP1 ● Testpoint 0.8mm
- +1.5V ○ TP3 ● Testpoint 0.8mm
- +1.8V ○ TP4 ● Testpoint 0.8mm
- VTT ○ TP5 ● Testpoint 0.8mm
- VTTREF ○ TP6 ● Testpoint 0.8mm
- +3.3V ○ TP8 ● Testpoint 0.8mm
- ADC\_VAA ○ TP2 ● Testpoint 0.8mm
- +3.3V\_ADC ○ TP10 ● Testpoint 0.8mm
- +5.0V ○ TP7 ● Testpoint 0.8mm
- +5.0V\_VAA ○ TP9 ● Testpoint 0.8mm
- GND TP11 ● Testpoint 0.8mm
- GND TP12 ● Testpoint 0.8mm

Serial  
 Serialnumber 6,3 x 6,3mm  
 LOGO1

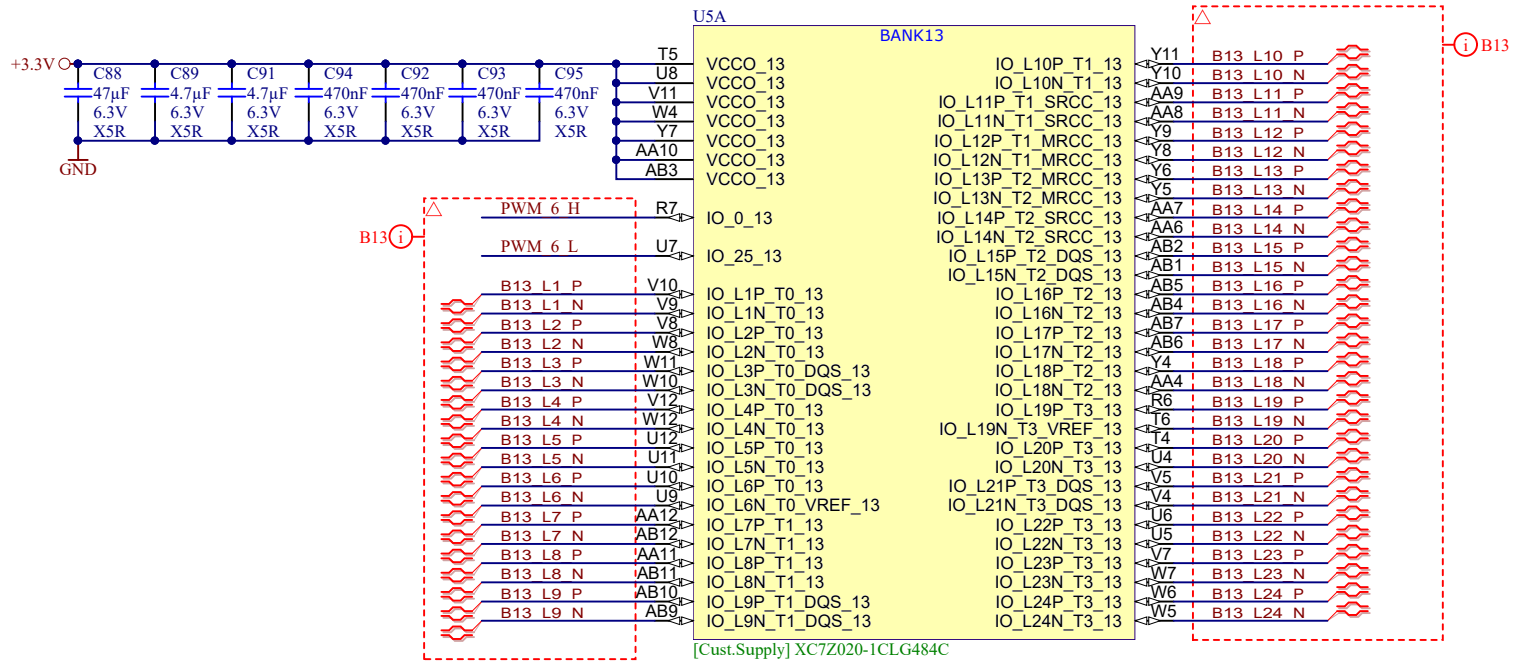
TE Logo PRINT Layer


LOGO PRINT

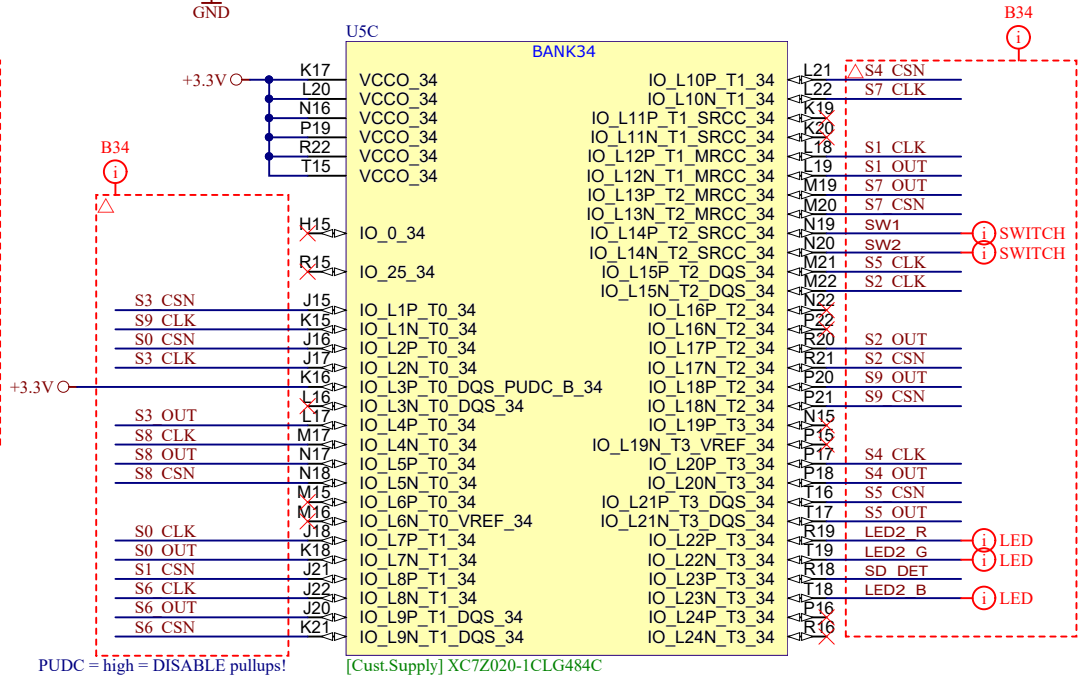
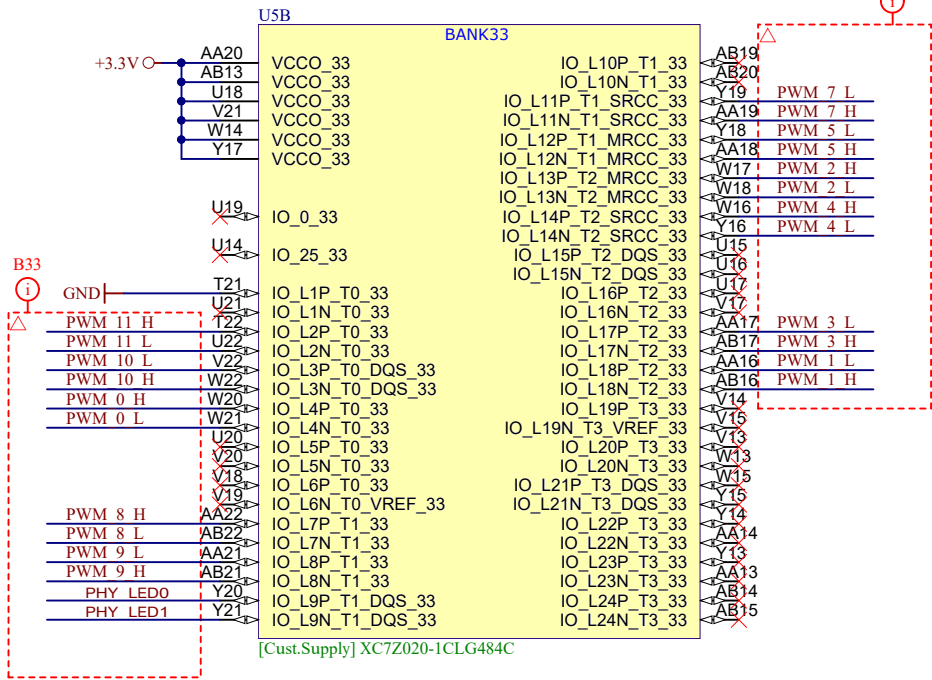
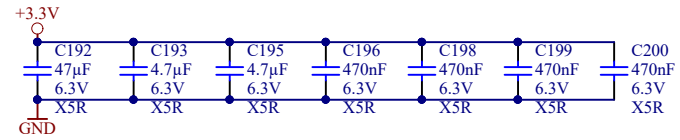
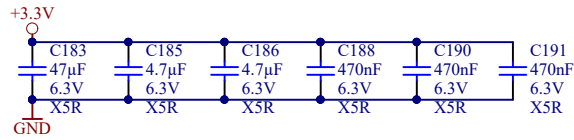
Assembly variant	61C32-M
Created by	VY
Modified by	VY
Modified at	2020-12-09
SVN Revision	10327




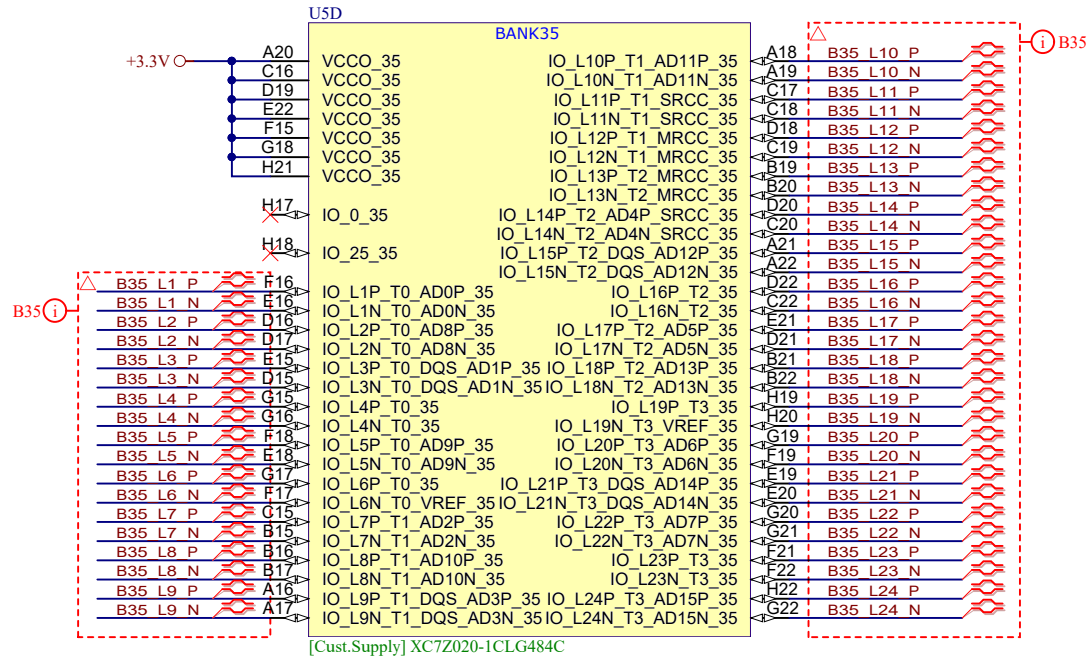
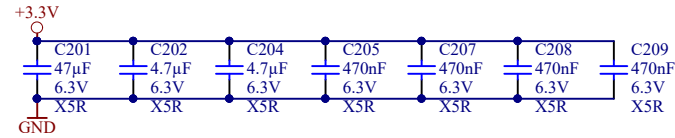
Title: TE0716 - Main		
A4	Number: TE0716 61C32-M	Rev. 01
Date: 2020-07-03	Copyright: Trenz Electronic GmbH	Page 1 of 18
Drawn by: *	Filename: TE0716.SchDoc	



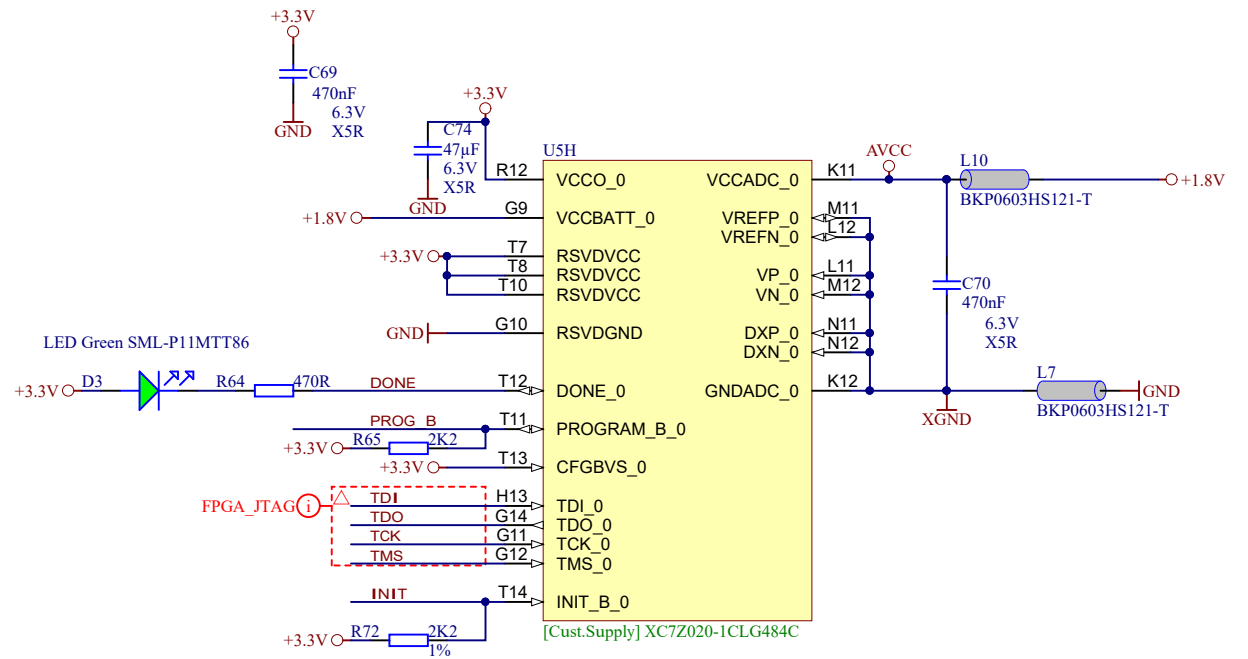
			Title: TE0716 - B13	
			A4	Number: TE0716 61C32-M
Date: 2020-07-03		Copyright: Trenz Electronic GmbH		Page2 of 18
Filename: B13.SchDoc				




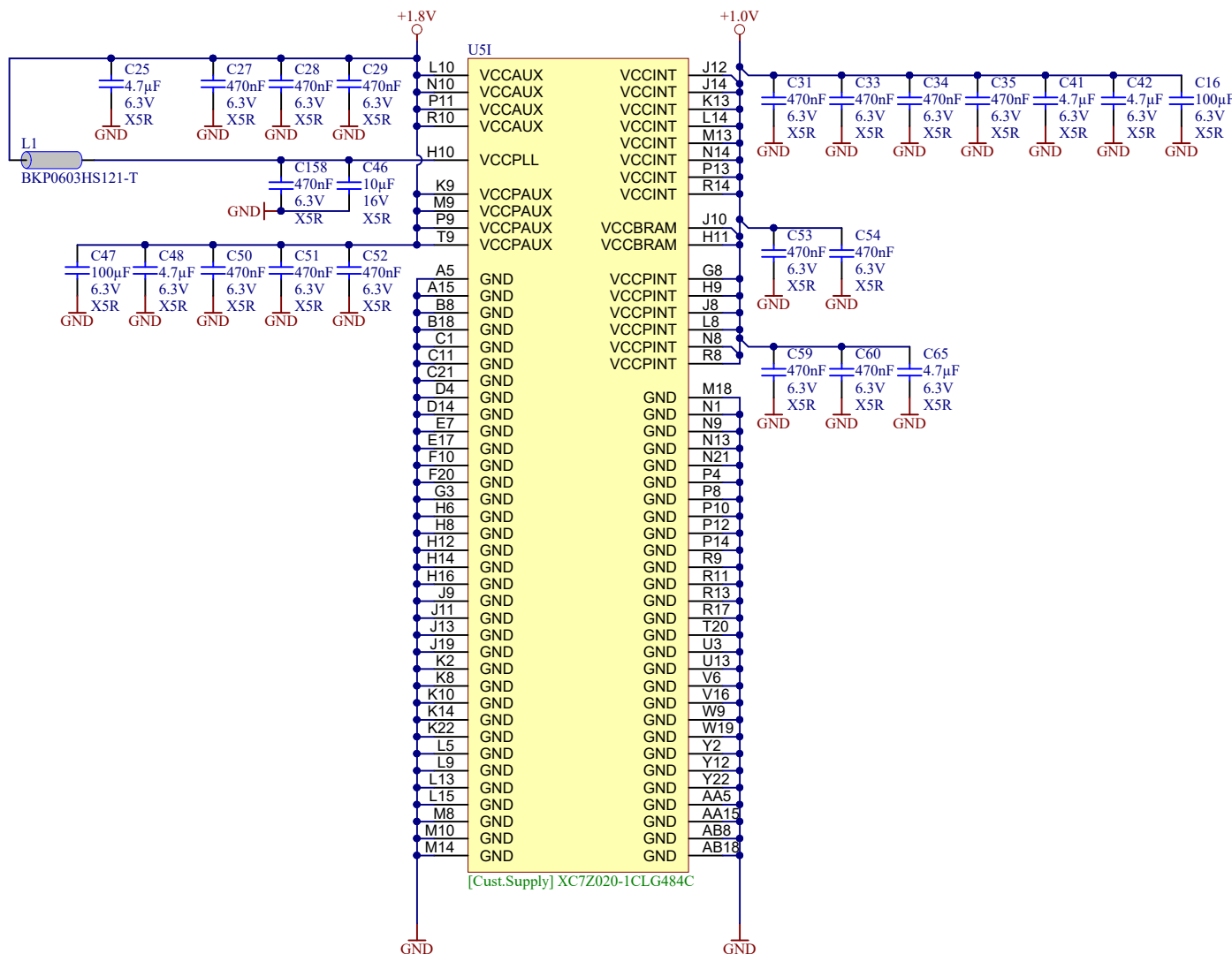

		Title: TE0716 - B33 - B34	
		A4	Number: TE0716 61C32-M
Date: 2020-07-03		Copyright: Trenz Electronic GmbH	
Page 3 of 18		Page 3 of 18	
Filename: B33-B34.SchDoc			



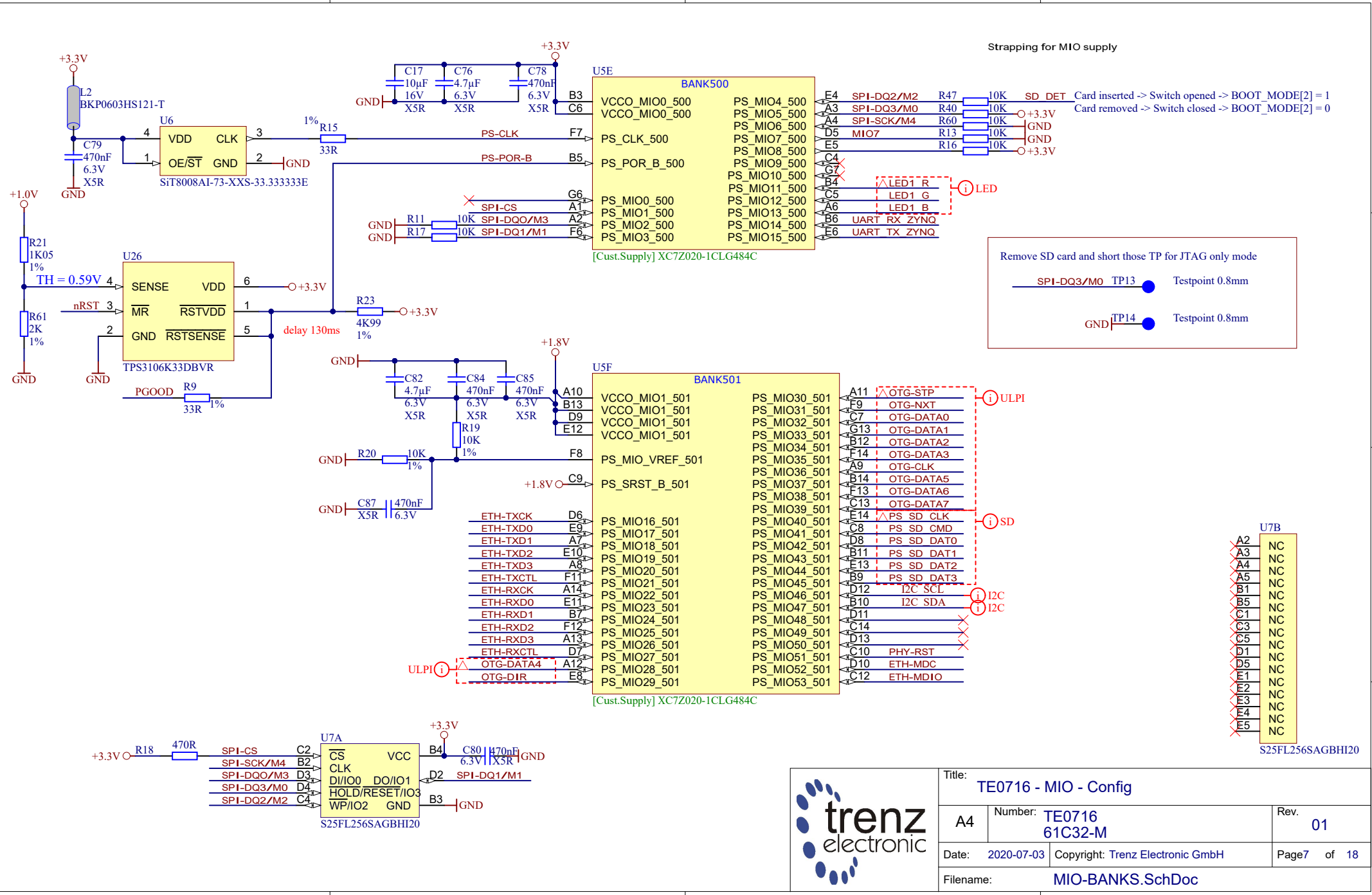
	Title: TE0716 - B35		
	A4	Number: TE0716 61C32-M	Rev. 01
	Date: 2020-07-03	Copyright: Trenz Electronic GmbH	Page 4 of 18
	Filename: B35.SchDoc		



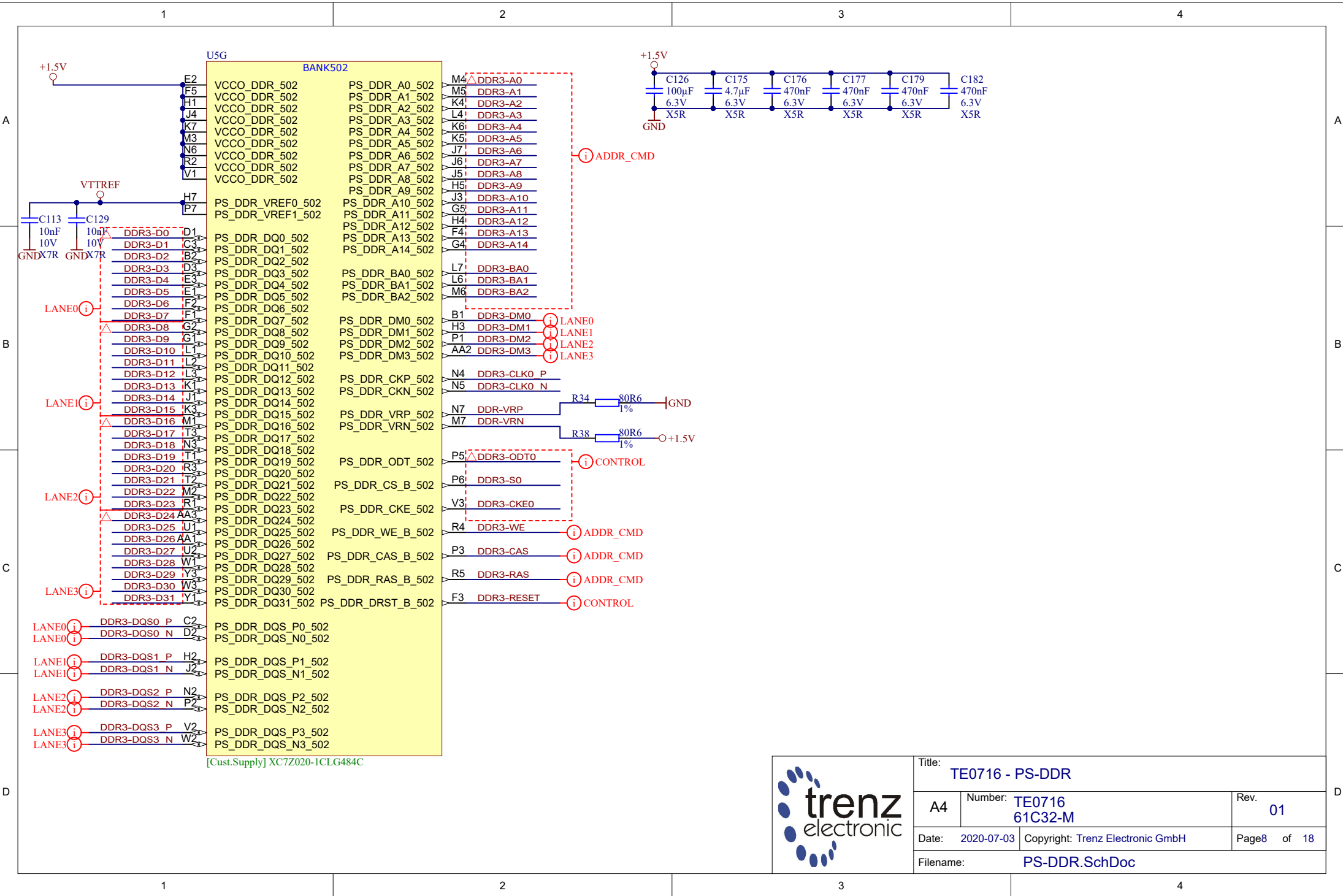
	Title: <b>TE0716 - B0</b>		
	A4	Number: <b>TE0716 61C32-M</b>	Rev. <b>01</b>
	Date: <b>2020-07-03</b>	Copyright: <b>Trenz Electronic GmbH</b>	Page <b>5</b> of <b>18</b>
	Filename: <b>FPGA-MISC.SchDoc</b>		

Title: TE0716 - FPGA Power		
A4	Number: TE0716 61C32-M	Rev. 01
Date: 2020-07-03	Copyright: Trenz Electronic GmbH	Page6 of 18
Filename: FPGA-PWR.SchDoc		



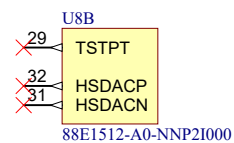
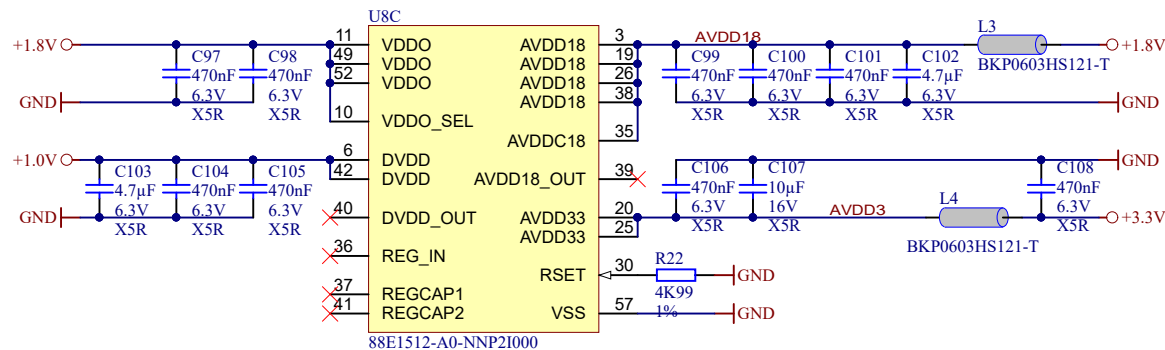
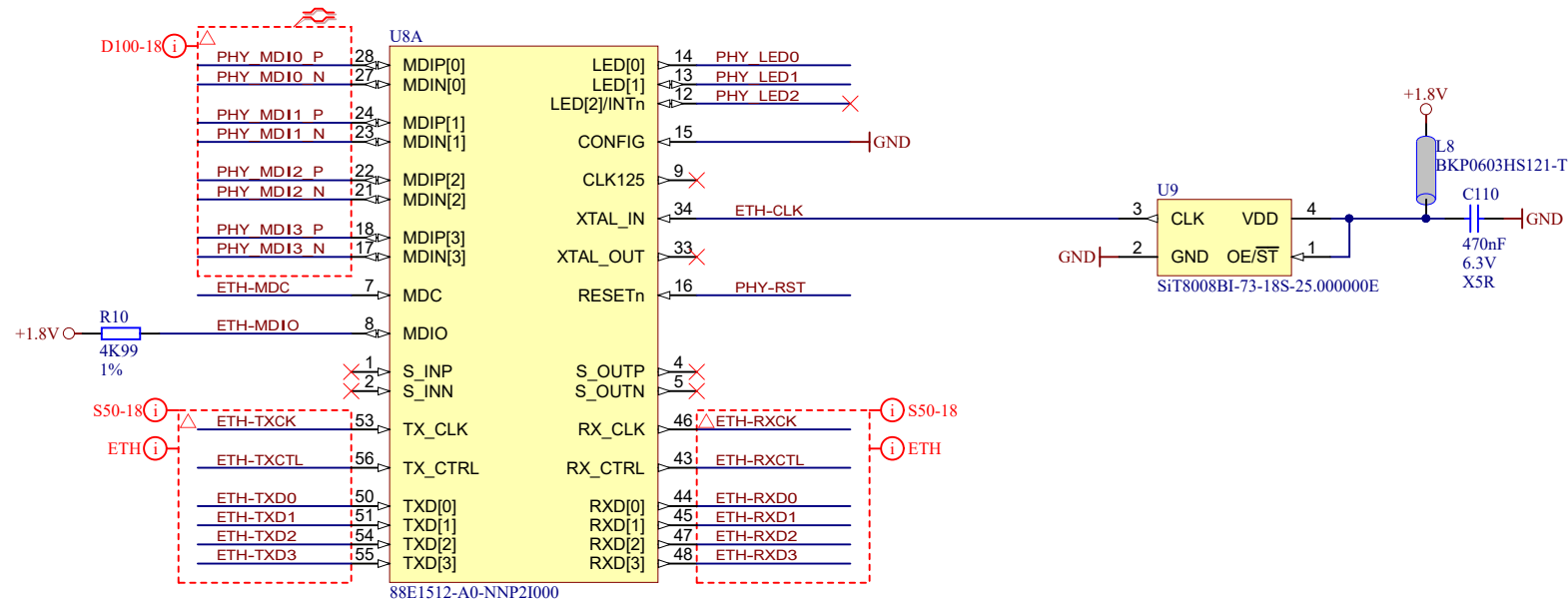
Title: TE0716 - MIO - Config		
A4	Number: TE0716 61C32-M	Rev. 01
Date: 2020-07-03	Copyright: Trenz Electronic GmbH	Page 7 of 18
Filename: MIO-BANKS.SchDoc		




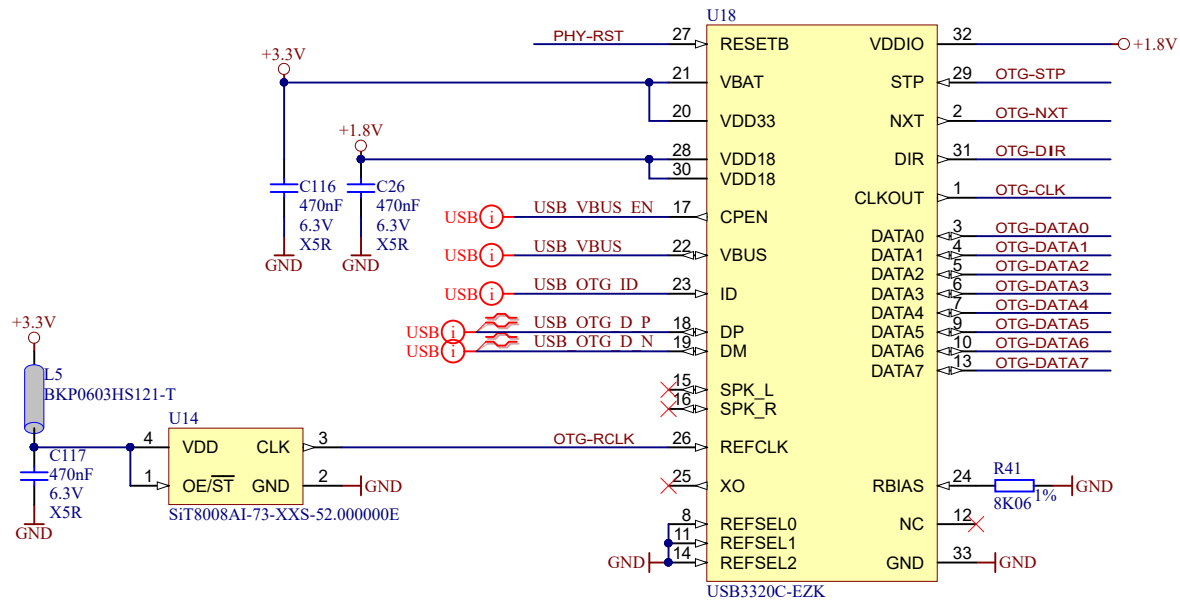
Title: TE0716 - PS-DDR		
A4	Number: TE0716 61C32-M	Rev. 01
Date: 2020-07-03	Copyright: Trenz Electronic GmbH	Page 8 of 18
Filename: PS-DDR.SchDoc		







		Title: TE0716 - Ethernet	
		A4	Number: TE0716 61C32-M
Date: 2020-07-03		Copyright: Trenz Electronic GmbH	
Page 10 of 18		Page 10 of 18	
Filename: ETH-PHY.SchDoc		Filename: ETH-PHY.SchDoc	



	Title: <b>TE0716 - USB</b>	
	A4	Number: <b>TE0716 61C32-M</b>
	Date: <b>2020-07-03</b>	Copyright: <b>Trenz Electronic GmbH</b>
	Rev. <b>01</b>	
Page <b>11</b> of <b>18</b>		
Filename: <b>USB-PHY.SchDoc</b>		

1

2

3

4

A

A

B

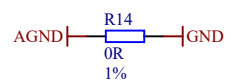
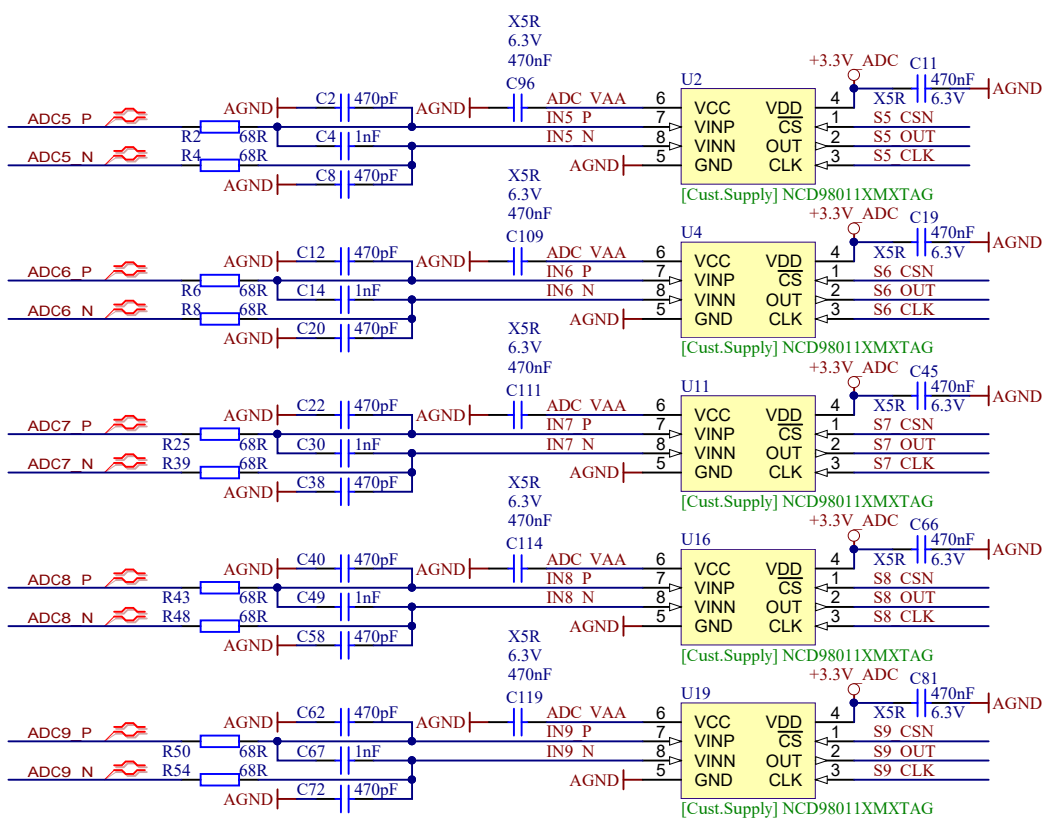
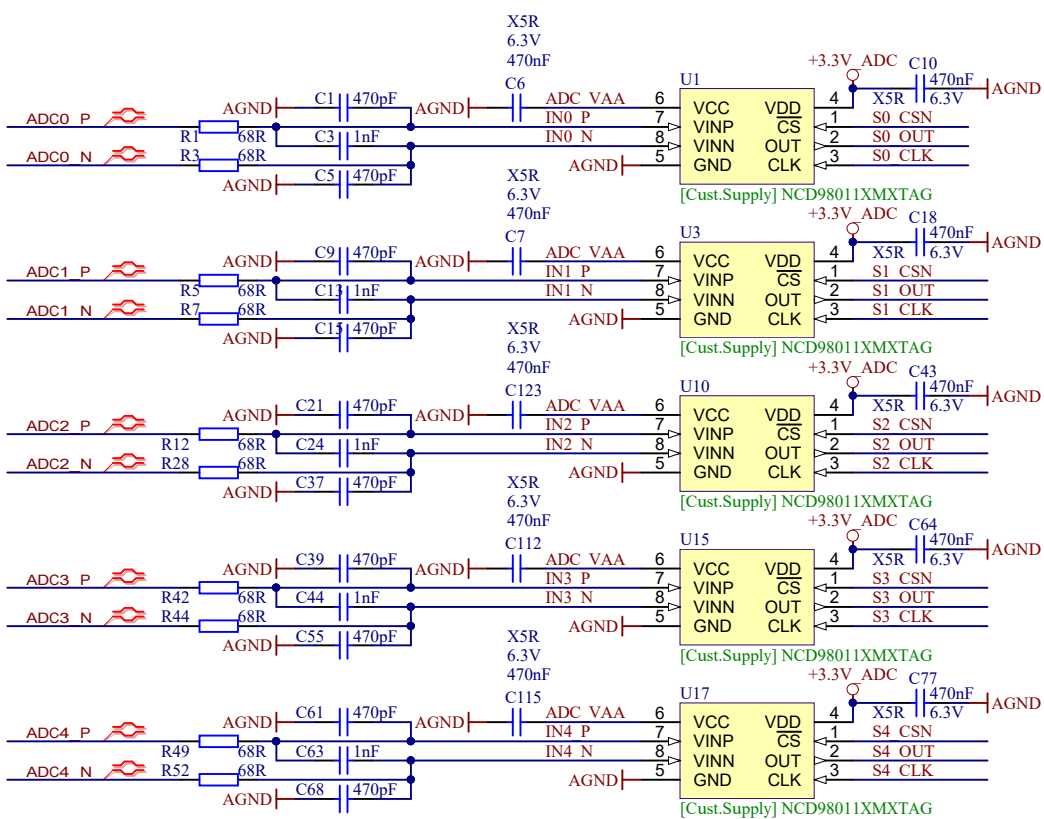
B

C

C

D

D



Title: <b>TE0716 - ADC</b>		
A4	Number: <b>TE0716 61C32-M</b>	Rev. <b>01</b>
Date: <b>2020-07-03</b>	Copyright: <b>Trenz Electronic GmbH</b>	Page <b>12</b> of <b>18</b>
Filename: <b>ADC.SchDoc</b>		

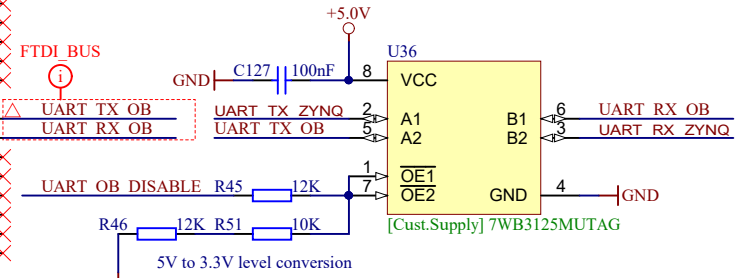
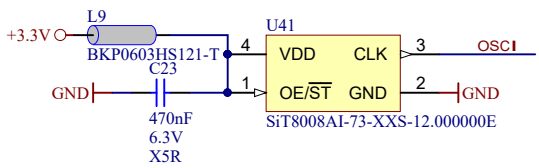
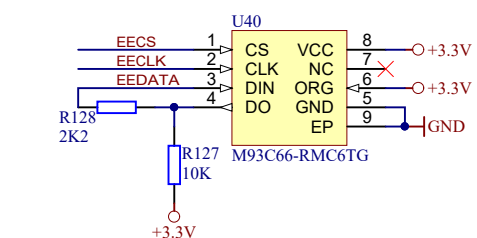
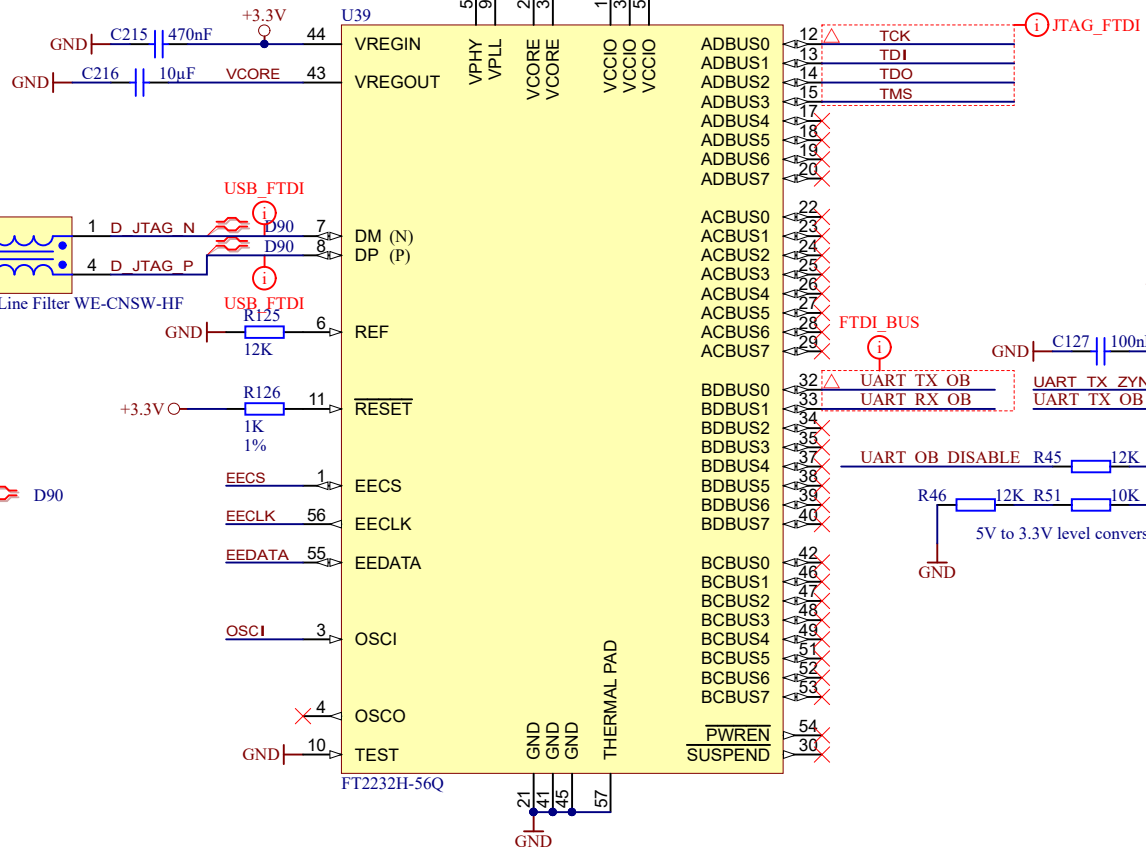
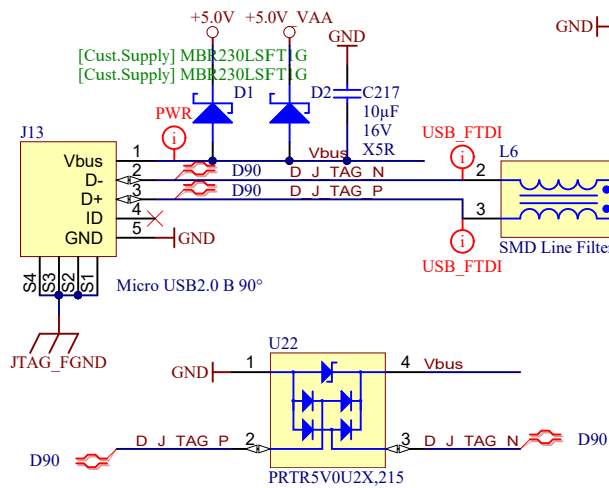
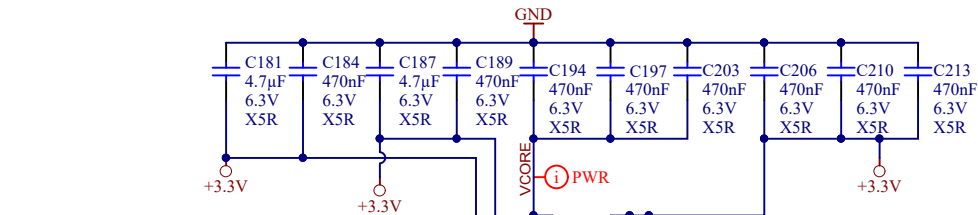
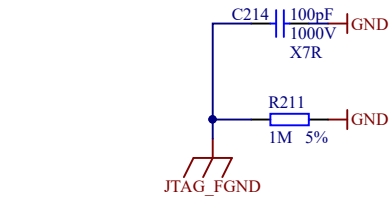
1

2

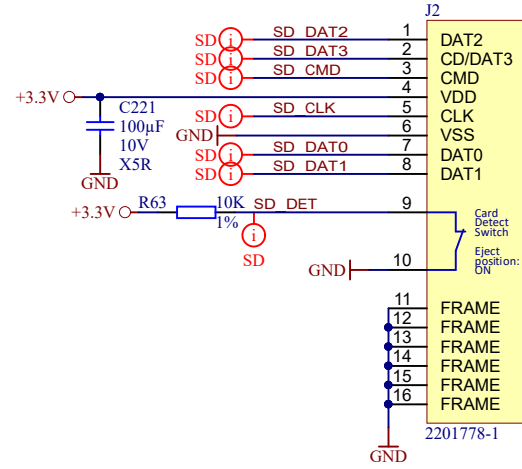
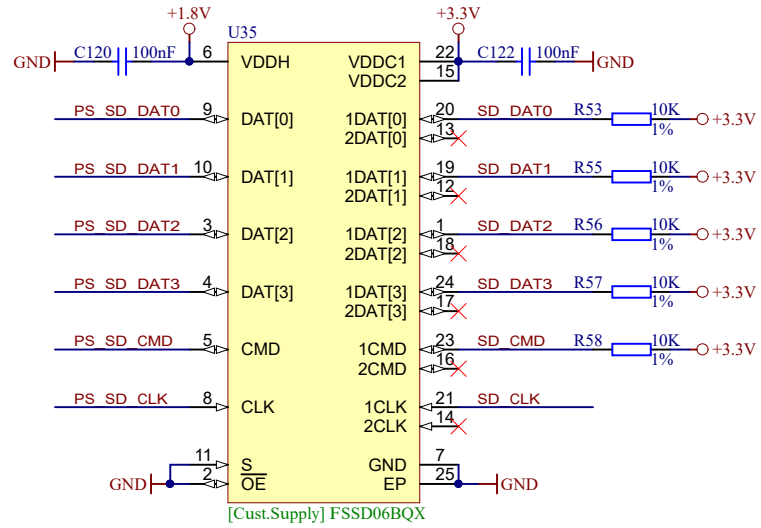
3

4

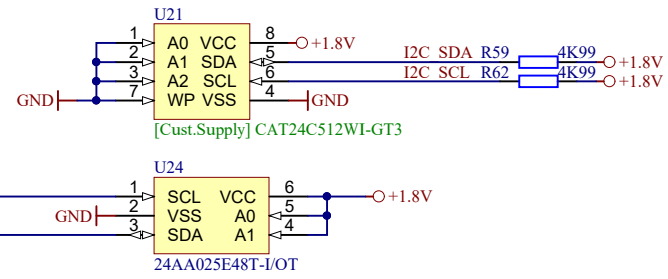
MISC1  
 Diligent Serialnumber  
 Diligent\_SN



Title: TE0716 - FTDI_JTAG		
A4	Number: TE0716 61C32-M	Rev. 01
Date: 2020-07-03	Copyright: Trenz Electronic GmbH	Page 13 of 18
Drawn by: *	Filename: FTDI_JTAG.SchDoc	



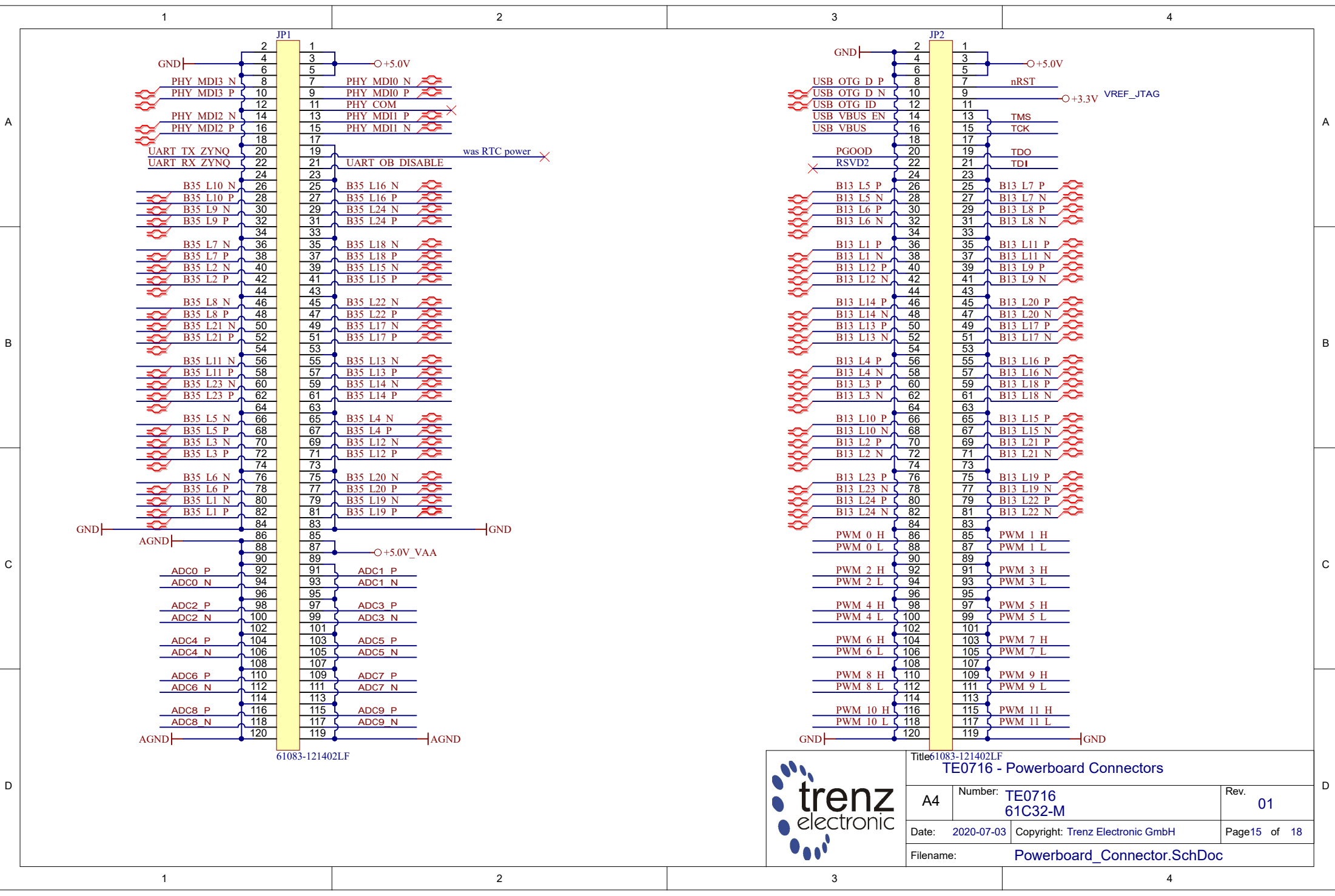
Card inserted -> Switch opened -> BOOT\_MODE[2] = 1  
 Card removed -> Switch closed -> BOOT\_MODE[2] = 0



Assembly variant	61C32-M
Created by	VY
Modified by	VY
Modified at	2020-12-09
SVN Revision	10327



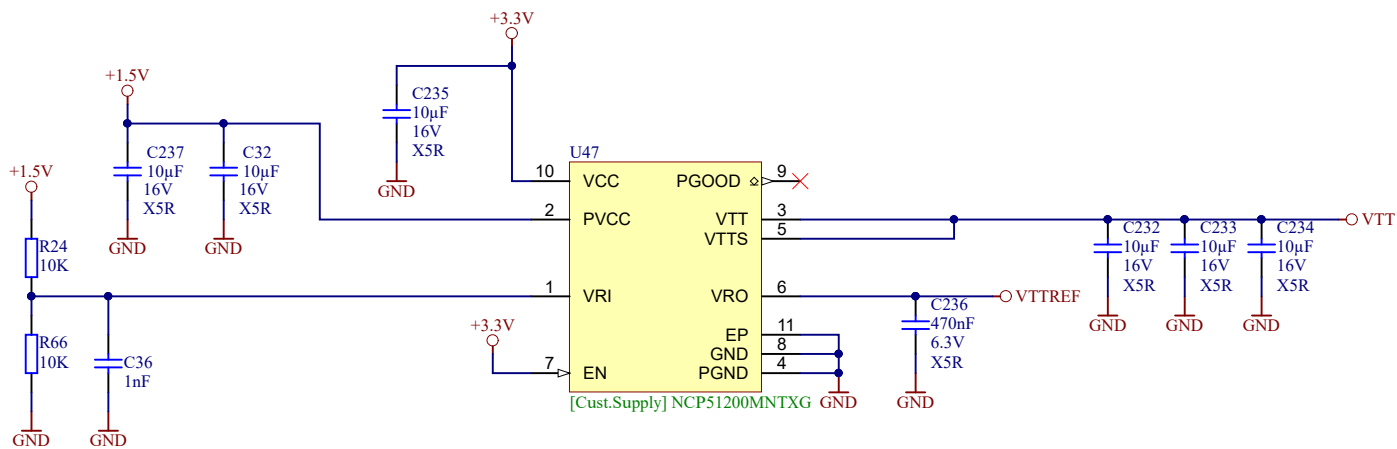
Title: TE0716 - SD		
A4	Number: TE0716 61C32-M	Rev. 01
Date: 2020-07-03	Copyright: Trenz Electronic GmbH	Page 14 of 18
Drawn by: *	Filename: SD.SchDoc	




Title: 61083-121402LF TE0716 - Powerboard Connectors		
A4	Number: TE0716 61C32-M	Rev. 01
Date: 2020-07-03	Copyright: Trenz Electronic GmbH	Page 15 of 18
Filename: Powerboard_Connector.SchDoc		







		Title: TE0716 - PWR2	
		A4	Number: TE0716 61C32-M
Date: 2020-07-03		Copyright: Trenz Electronic GmbH	
Page 17 of 18		Filename: PWR2.SchDoc	
Drawn by: *			