

1

2

3

4

A

A

B

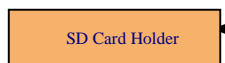
B

C

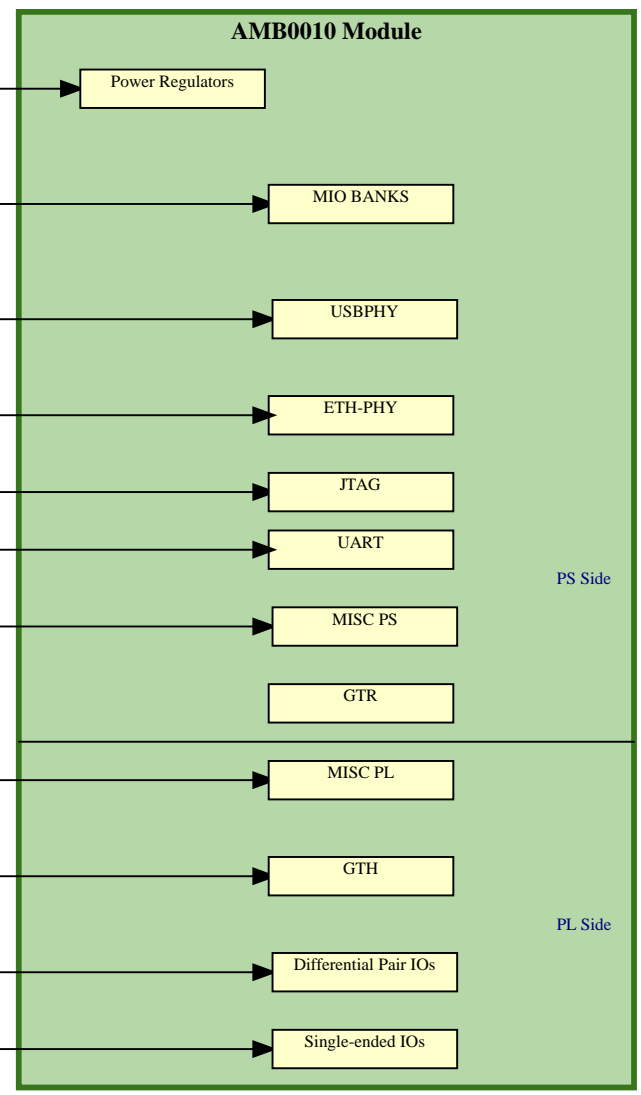
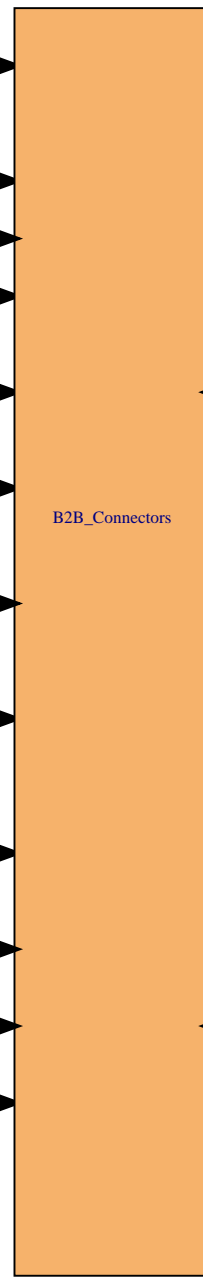
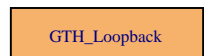
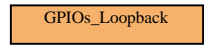
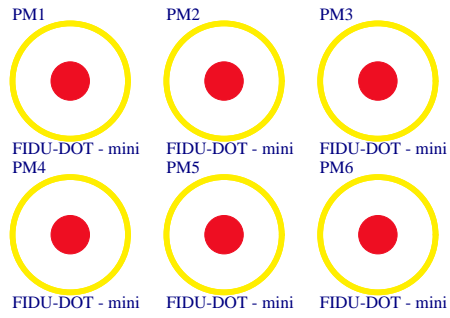
C

D

D



Serial1
Serial
Serialnumber 6,3 x 6.3mm



Title: AMB0010 Main		
A4	Number: 1 B	Rev. 01
Date: 23.09.2021	Copyright: Trenz Electronic GmbH	Page 1 of 18
Filename: AMB0010.schdoc		

1

2

3

4

1

2

3

4

A

A

JB5_Connector_W

B

B

JB6_Connector_X

C

C

D

D



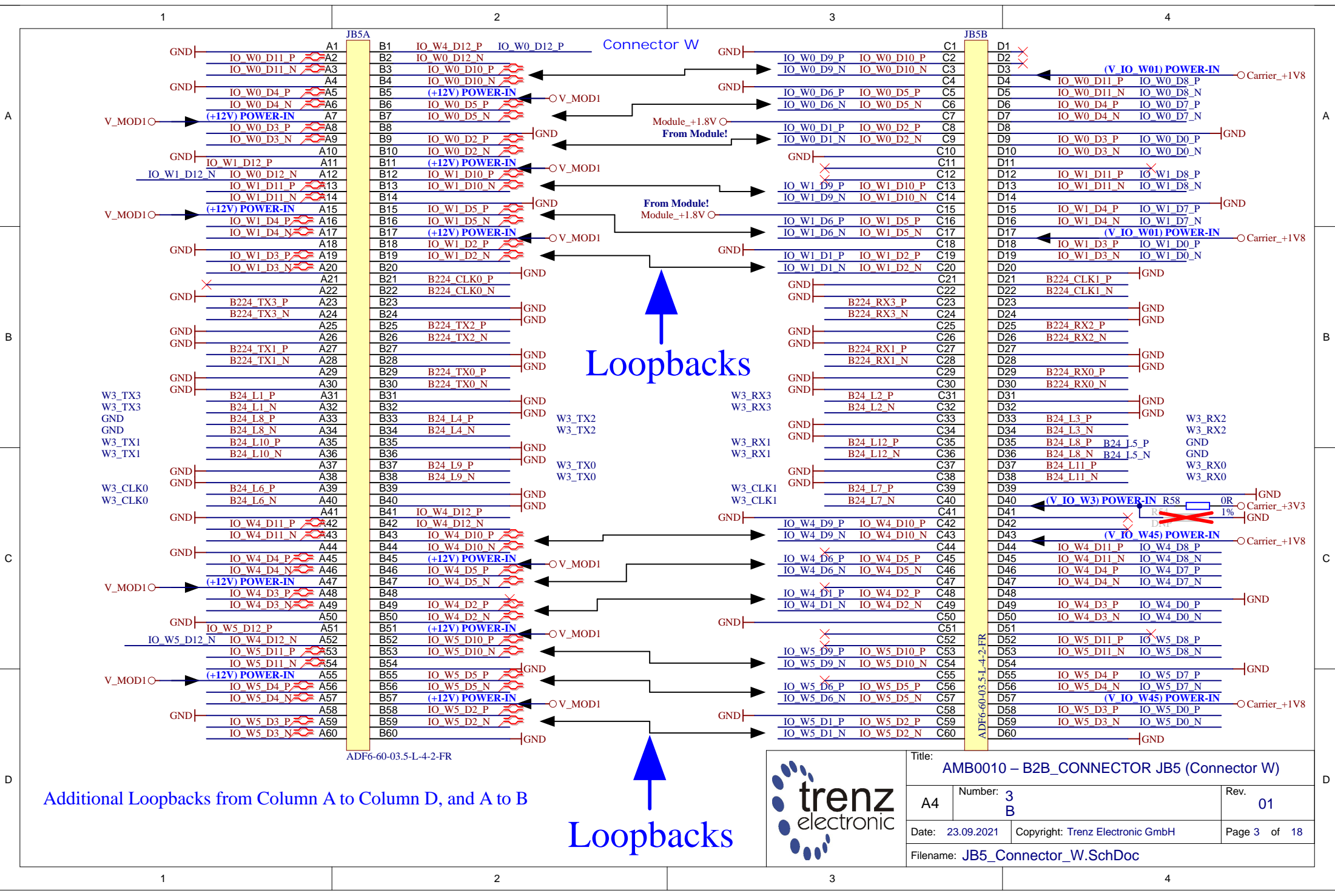
Title: AMB0010 – B2B_CONNECTORS		
A4	Number: 2 B	Rev. 01
Date: 23.09.2021	Copyright: Trenz Electronic GmbH	Page 2 of 18
Filename: B2B_Connectors.SchDoc		

1

2

3

4



Loopbacks

Loopbacks

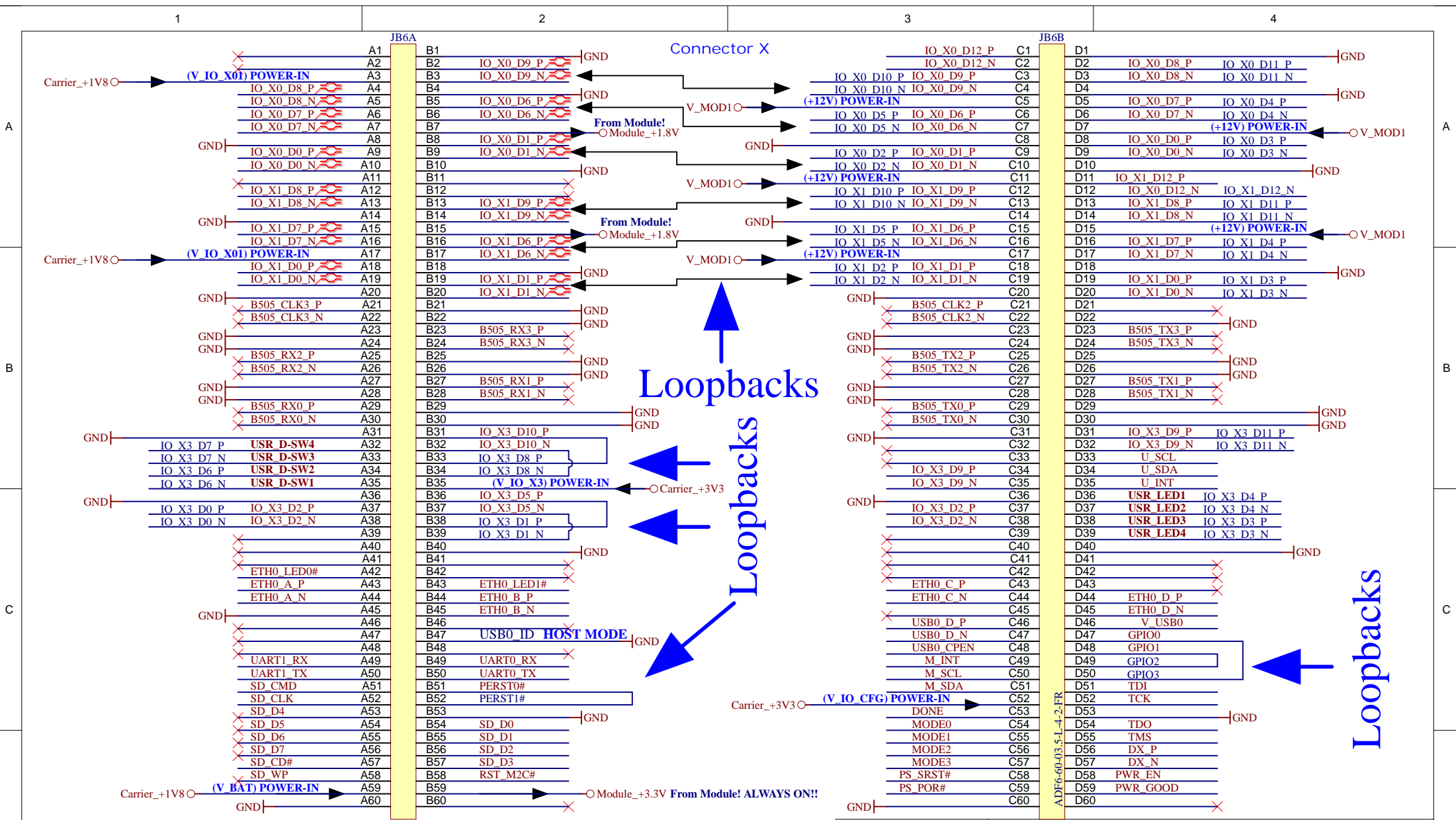
Additional Loopbacks from Column A to Column D, and A to B



Title: AMB0010 – B2B_CONNECTOR JB5 (Connector W)			
A4	Number: 3 B	Rev. 01	
Date: 23.09.2021	Copyright: Trenz Electronic GmbH	Page 3 of 18	
Filename: JB5_Connector_W.SchDoc			

ADF6-60-03.5-L-4-2-FR

ADF6-60-03.5-L-4-2-FR

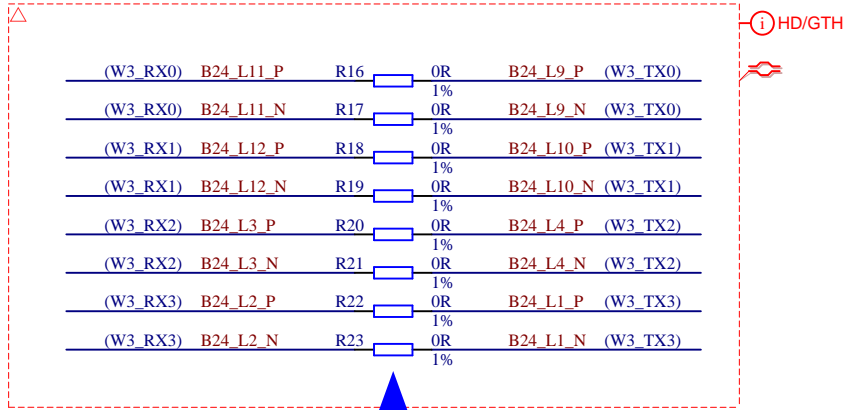
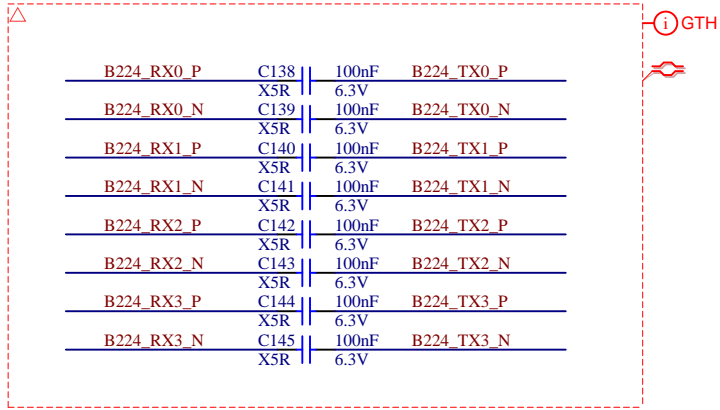


ADF6-60-03.5-L-4-2-FR

Additional Loopbacks from Column A to Column D, A to C, and C to D

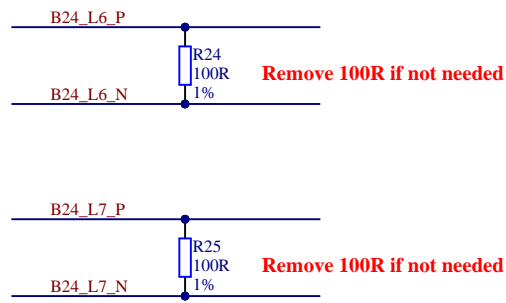
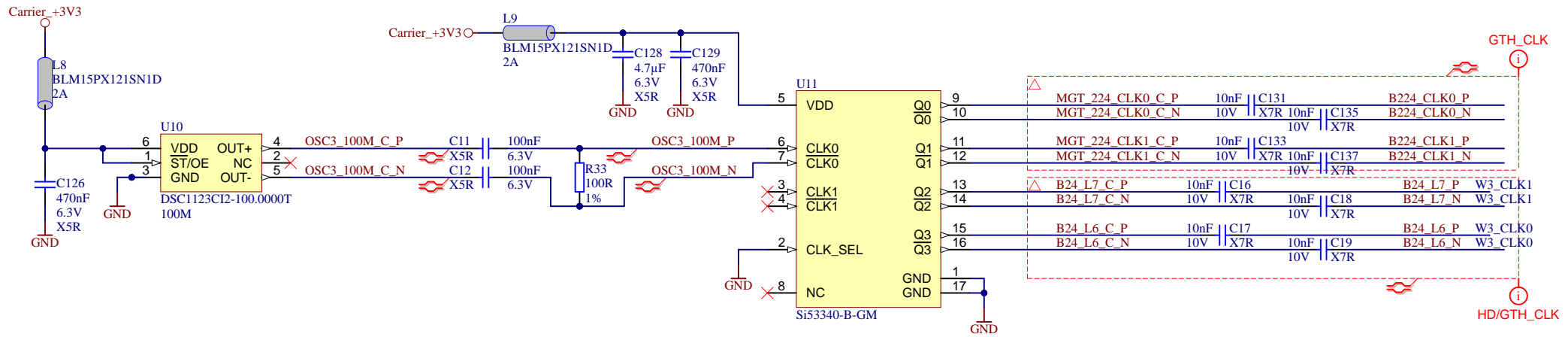



Title: AMB0010 – B2B_CONNECTOR JB6 (Connector X)		
A4	Number: 4 B	Rev. 01
Date: 23.09.2021	Copyright: Trenz Electronic GmbH	Page 4 of 18
Filename: JB6_Connector_X.SchDoc		

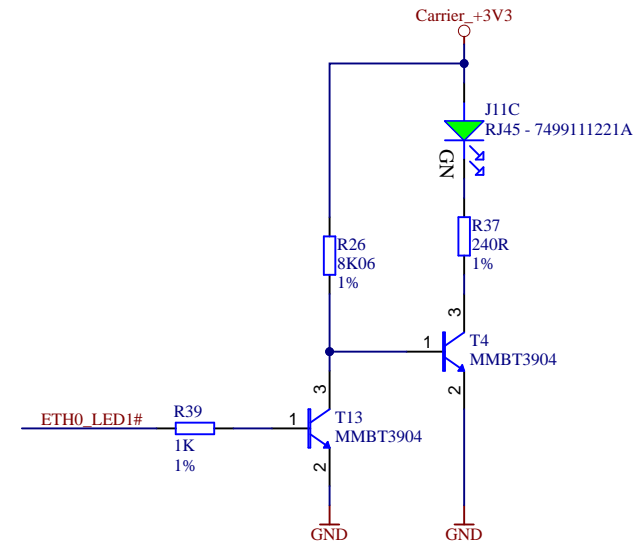
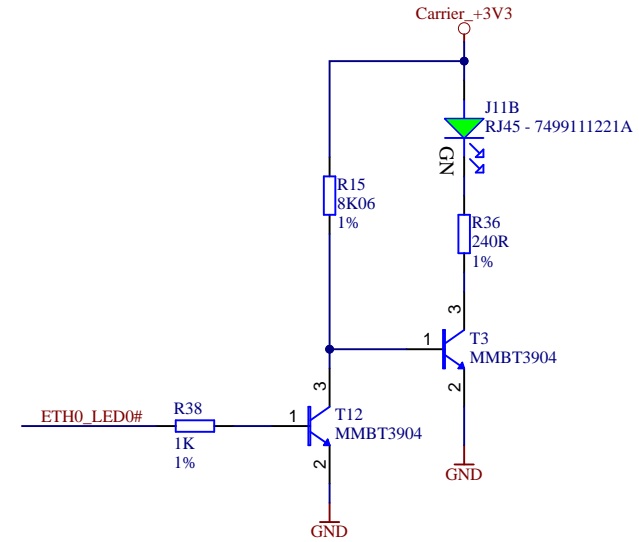
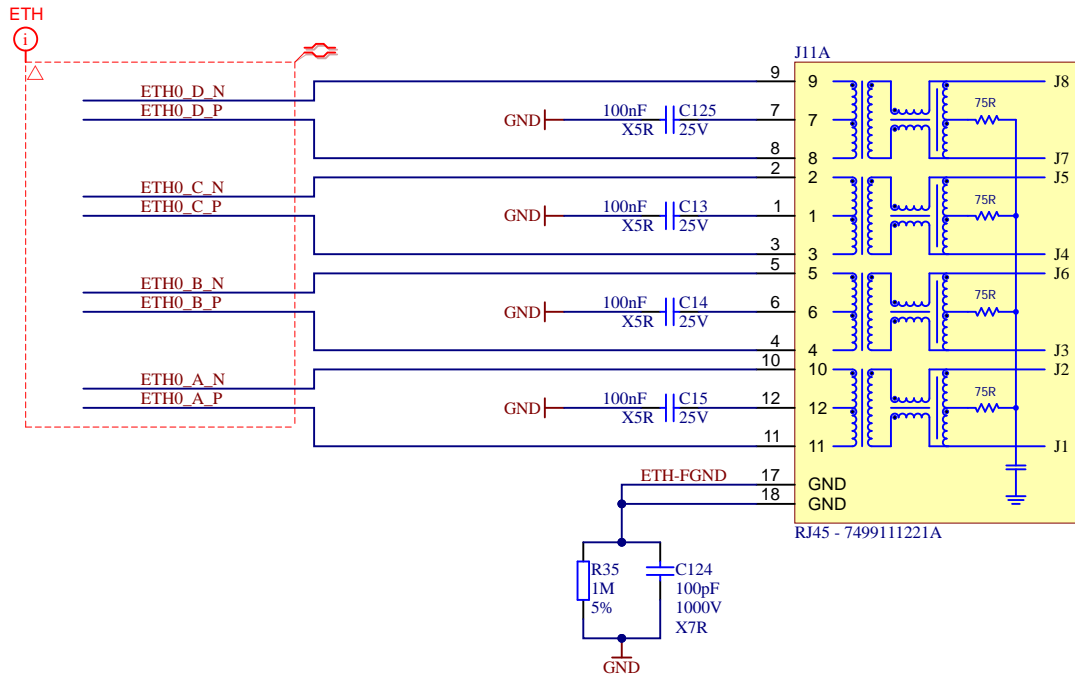


For a future modules with MGT connections on these nets, change the 0R Resistors for 100nF Capacitors

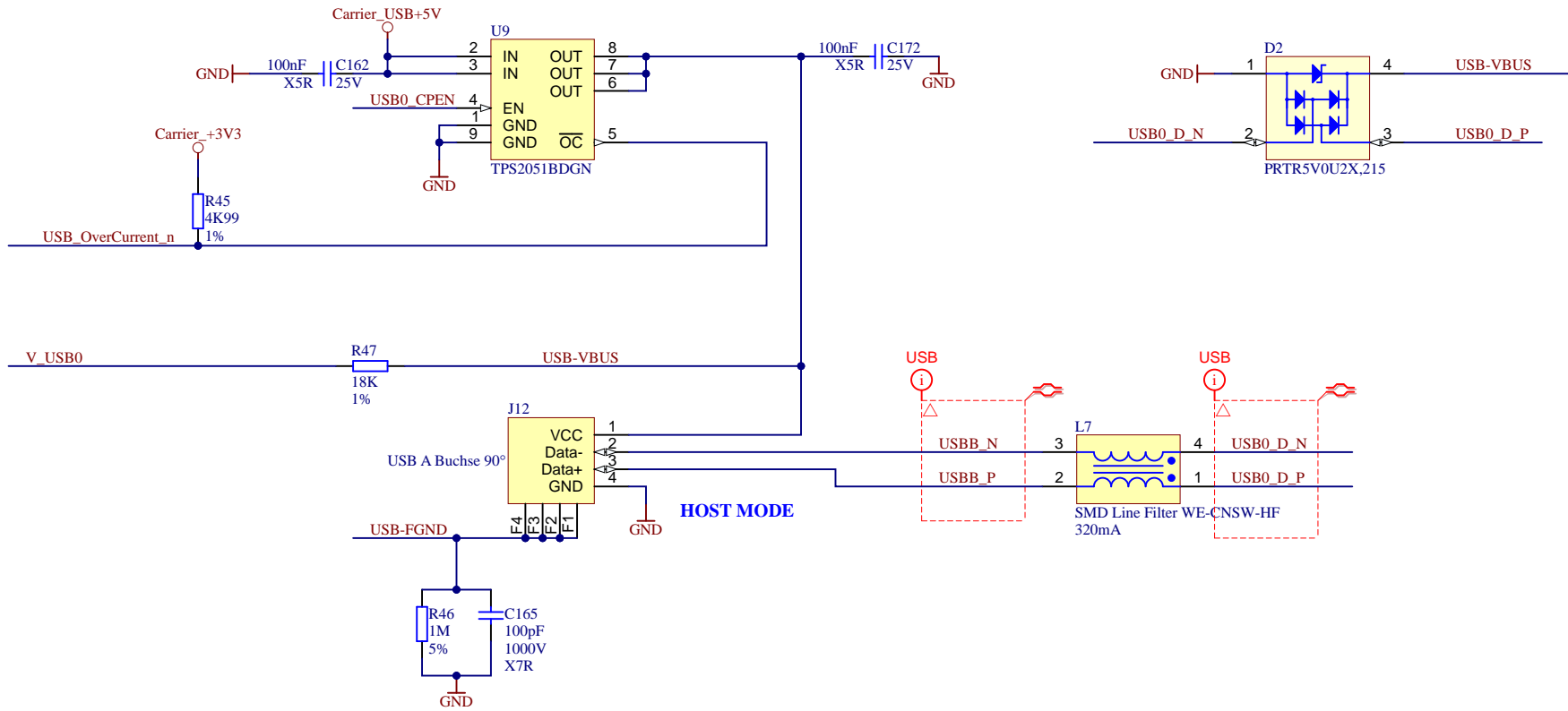
	Title: AMB0010 – GTH_Loopback_Connections		
	A4	Number: 5 B	Rev. 01
	Date: 23.09.2021	Copyright: Trenz Electronic GmbH	Page 5 of 18
	Filename: GTH_Loopback.schdoc		




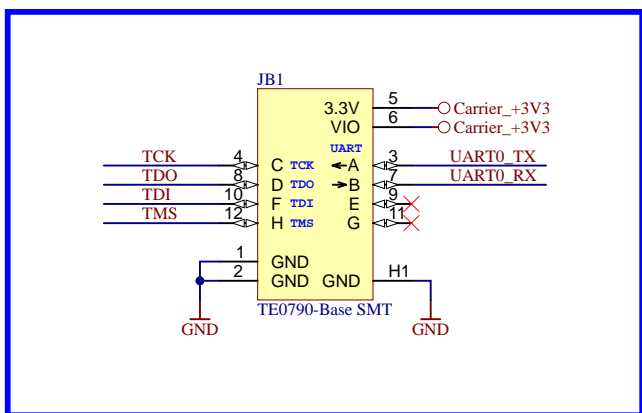
	Title: AMB0010 – GTH CLOCK		
	A4	Number: 6 B	Rev. 01
	Date: 23.09.2021	Copyright: Trenz Electronic GmbH	Page 6 of 18
	Filename: CLOCKs_schdoc		



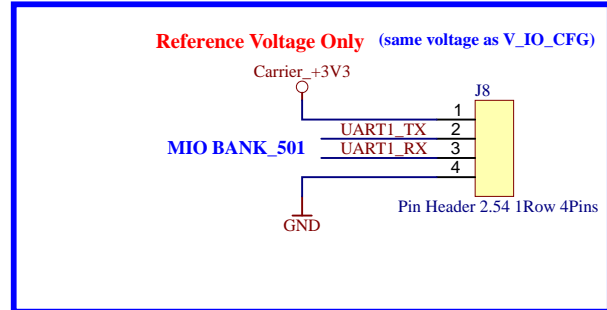
	Title: AMB0010 – ETHERNET		
	A4	Number: 7 B	Rev. 01
	Date: 23.09.2021	Copyright: Trenz Electronic GmbH	Page 7 of 18
	Filename: ETHERNET.SchDoc		



			Title: AMB0010 – USB	
			A4	Number: 8 B
Date: 23.09.2021		Copyright: Trenz Electronic GmbH		Page 8 of 18
Filename: USB.SchDoc				

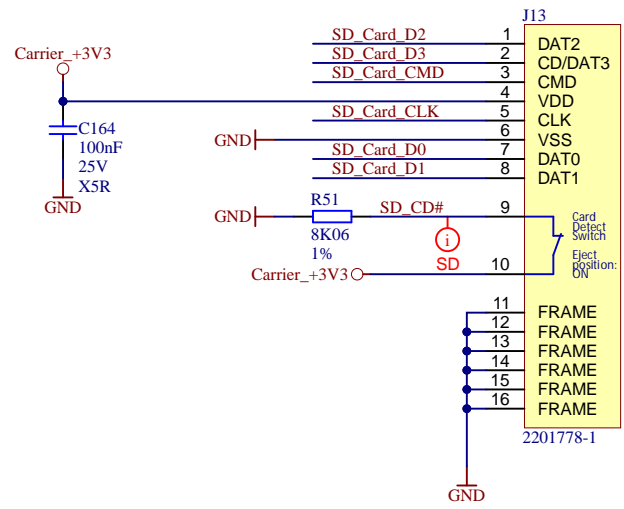
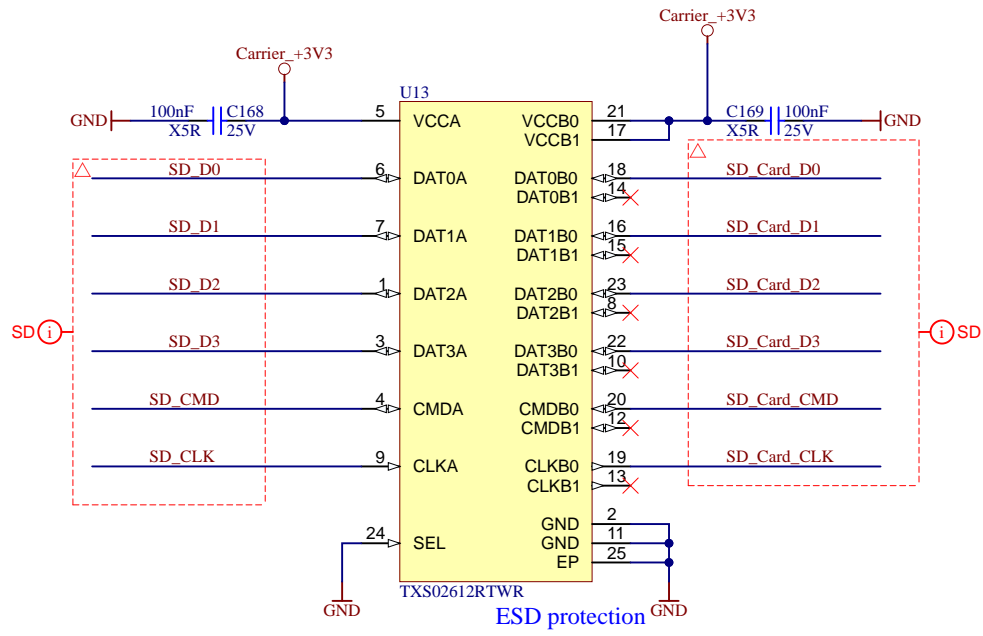


TE0790 XMOD JTAG PROGRAMMER/UART0 HEADER




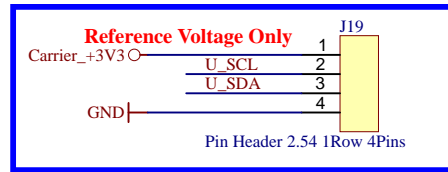
UART1 HEADER ONLY

	Title: AMB0010 – JTAG_UART_Connections		
	A4	Number: g B	Rev. 01
	Date: 23.09.2021	Copyright: Trenz Electronic GmbH	Page 9 of 18
	Filename: JTAG_UART_Connections.SchDoc		

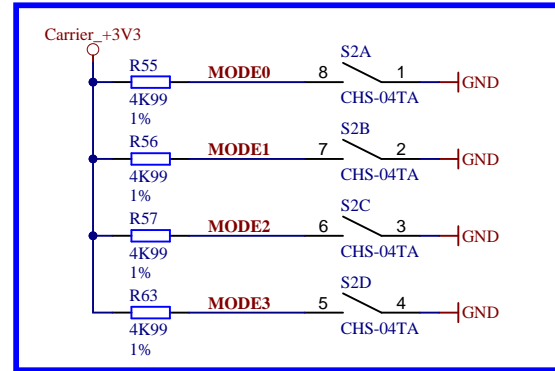


Card removed -> Switch closed -> SD_CD = 1
 Card inserted -> Switch opened -> SD_CD = 0

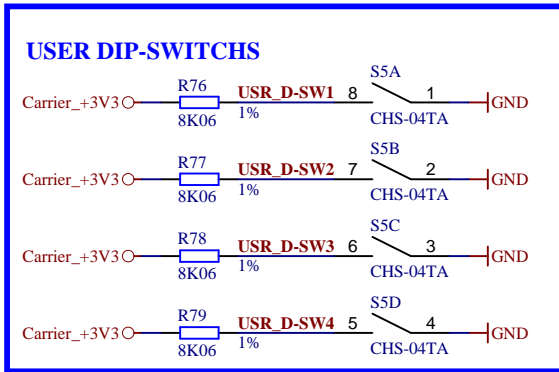
			Title: AMB0010 – SD Card	
			A4	Number: 10 B
Date: 23.09.2021		Copyright: Trenz Electronic GmbH		Page 10 of 18
Filename: SD_Card.SchDoc				



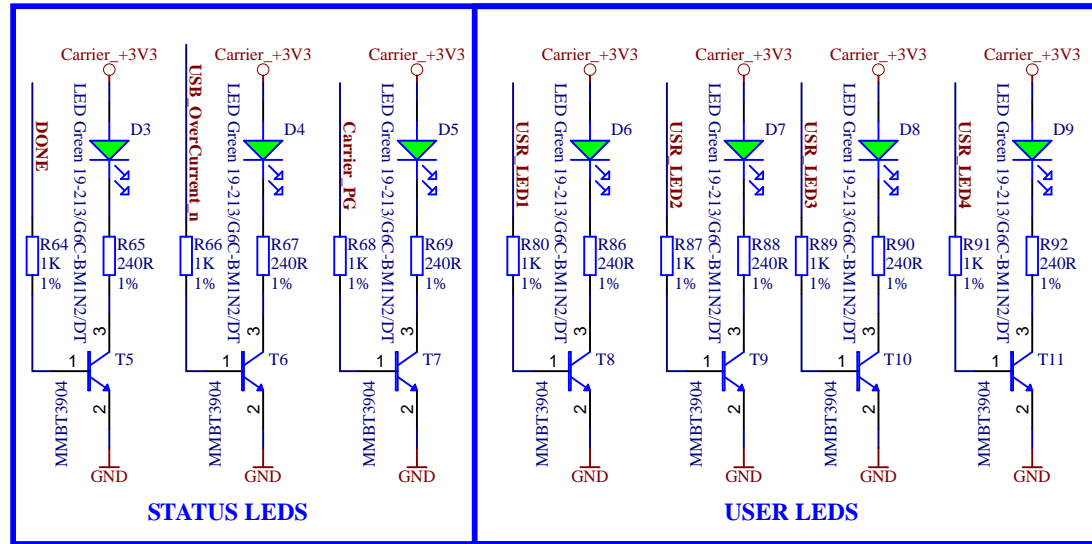
ADDITIONAL HEADERS



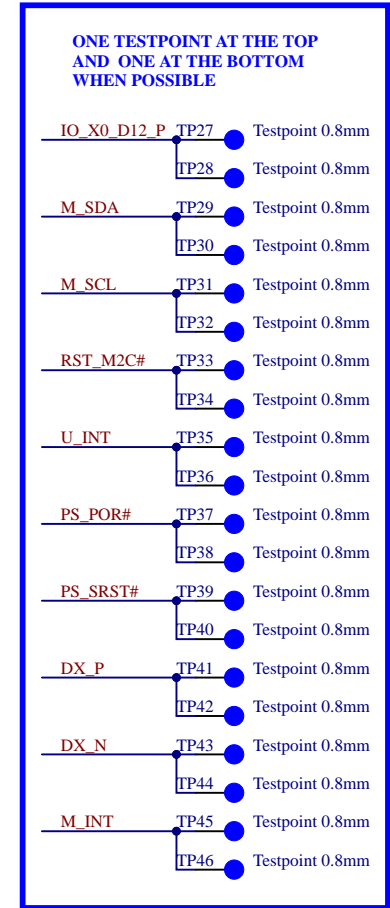
MODE SELECTION



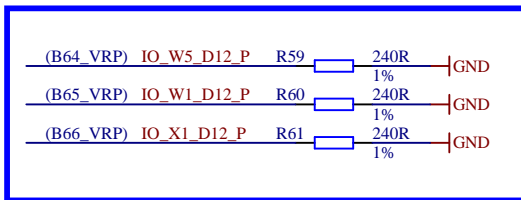
DIP-SWITCHES



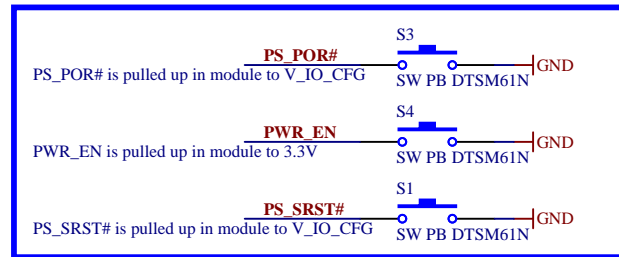
LEDS



TESTPOINTS



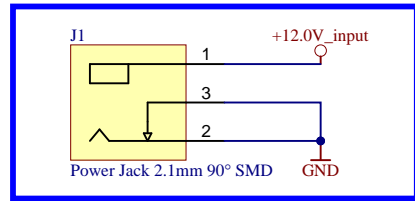
TERMINATIONS



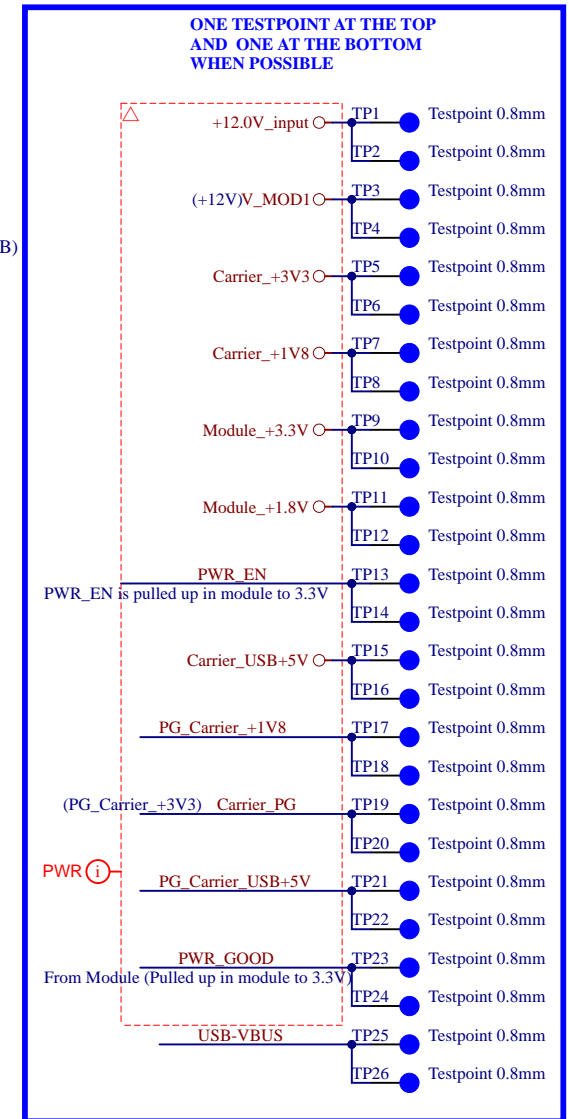
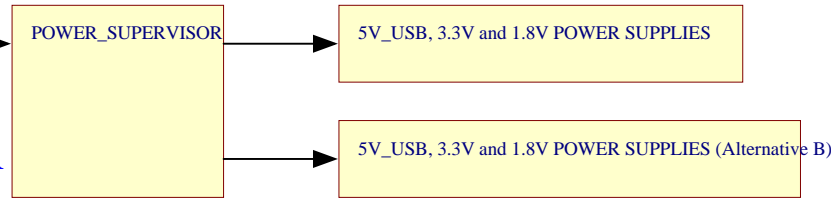
PUSH BUTTONS




Title: AMB0010 – MISC_BASE		
A4	Number: 11 B	Rev. 01
Date: 23.09.2021	Copyright: Trenz Electronic GmbH	Page 11 of 18
Filename: MISC_Carrier.SchDoc		

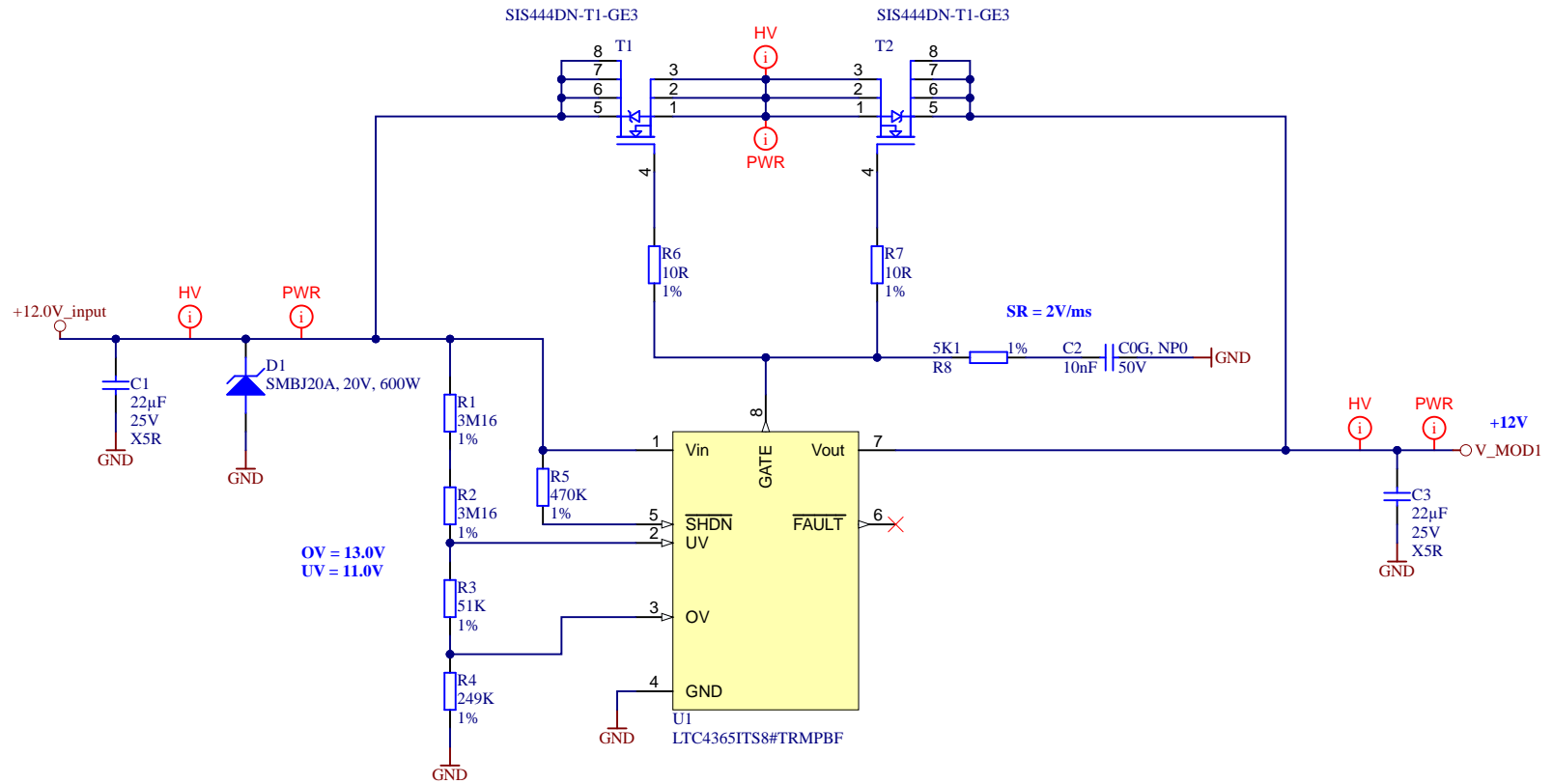


MAIN POWER-IN CONNECTOR

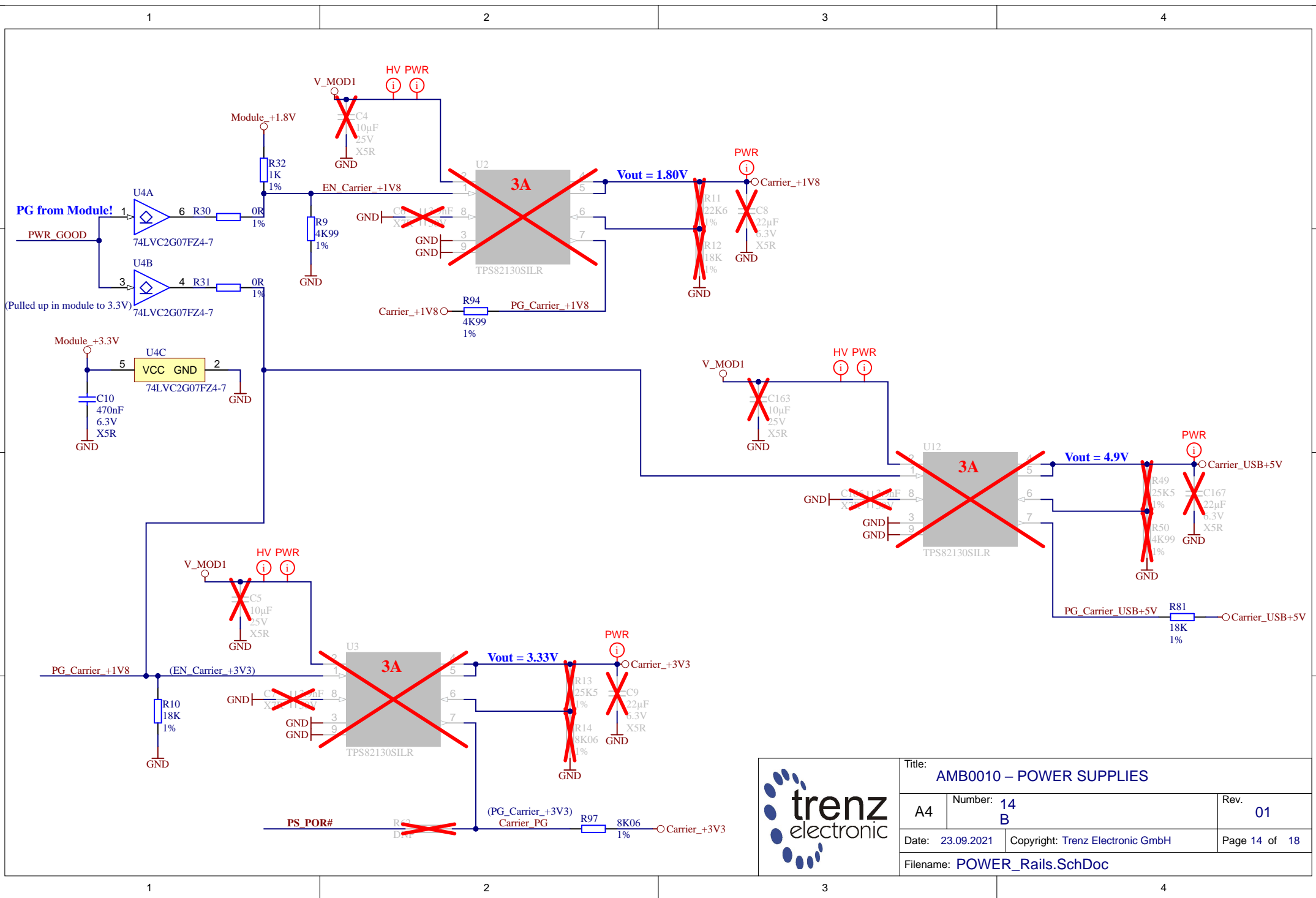



TESTPOINTS

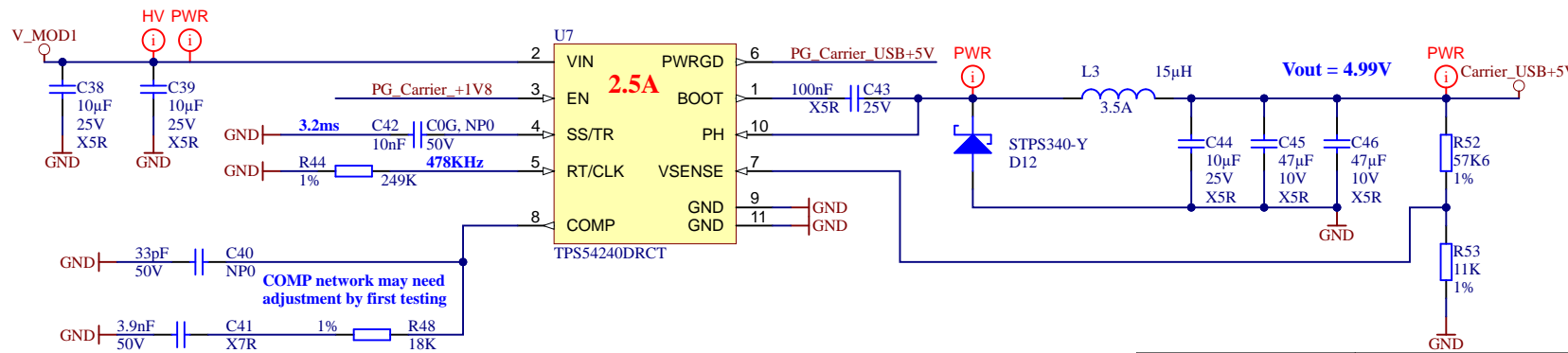
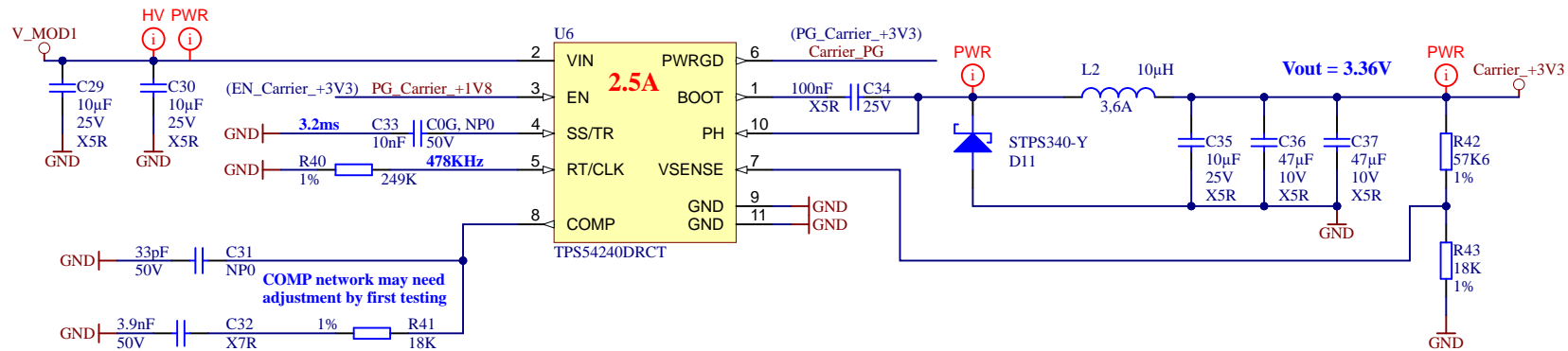
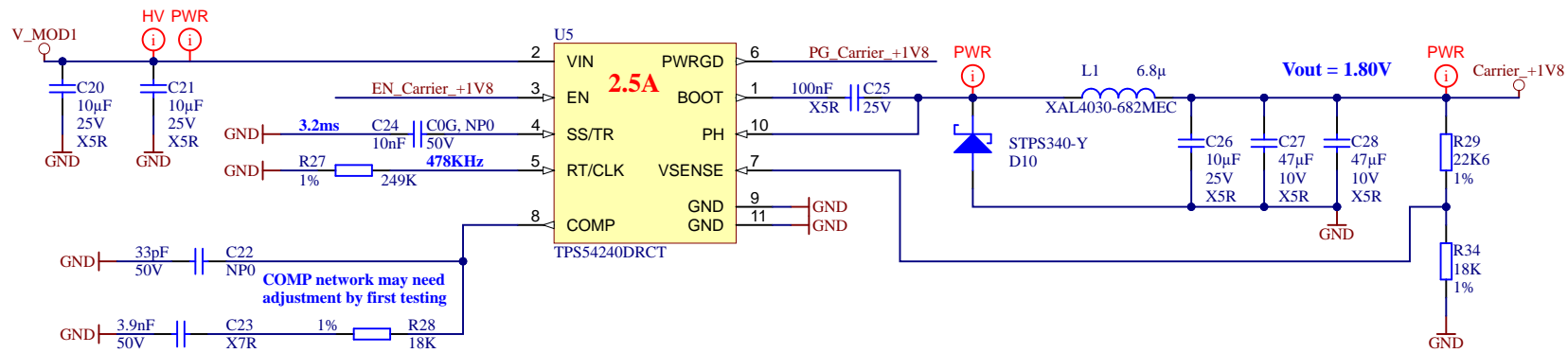
		Title: AMB0010 – POWER	
		A4	Number: 12 B
Date: 23.09.2021	Copyright: Trenz Electronic GmbH	Page 12 of 18	
Filename: POWER.SchDoc			



Title: AMB0010 – POWER SUPERVISOR		
A4	Number: 13 B	Rev. 01
Date: 23.09.2021	Copyright: Trenz Electronic GmbH	Page 13 of 18
Filename: POWER_Supervisor.SchDoc		



			Title: AMB0010 – POWER SUPPLIES	
			A4	Number: 14 B
Date: 23.09.2021		Copyright: Trenz Electronic GmbH		Page 14 of 18
Filename: POWER_Rails.SchDoc				



Title: AMB0010 – POWER SUPPLIES for Alternative Variant B		
A4	Number: 15 B	Rev. 01
Date: 23.09.2021	Copyright: Trenz Electronic GmbH	
Page 15 of 18		
Filename: POWER_Rails_Alternative.SchDoc		

1

2

3

4

A

A

B

B

C

C

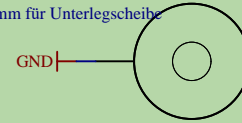
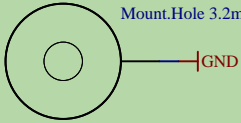
D

D

AMB0010 Carrier

Mount.Hole 3.2mm für Unterlegscheibe

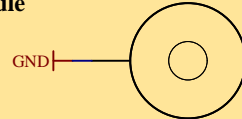
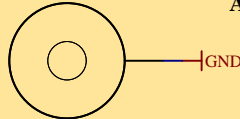
Mount.Hole 3.2mm für Unterlegscheibe



AM0010 Module

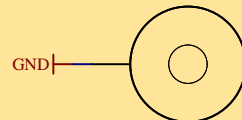
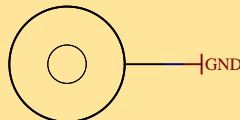
Mount.Hole 3.2mm für Unterlegscheibe

Mount.Hole 3.2mm für Unterlegscheibe



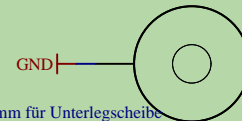
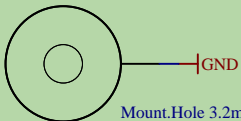
Mount.Hole 3.2mm für Unterlegscheibe

Mount.Hole 3.2mm für Unterlegscheibe



Mount.Hole 3.2mm für Unterlegscheibe

Mount.Hole 3.2mm für Unterlegscheibe



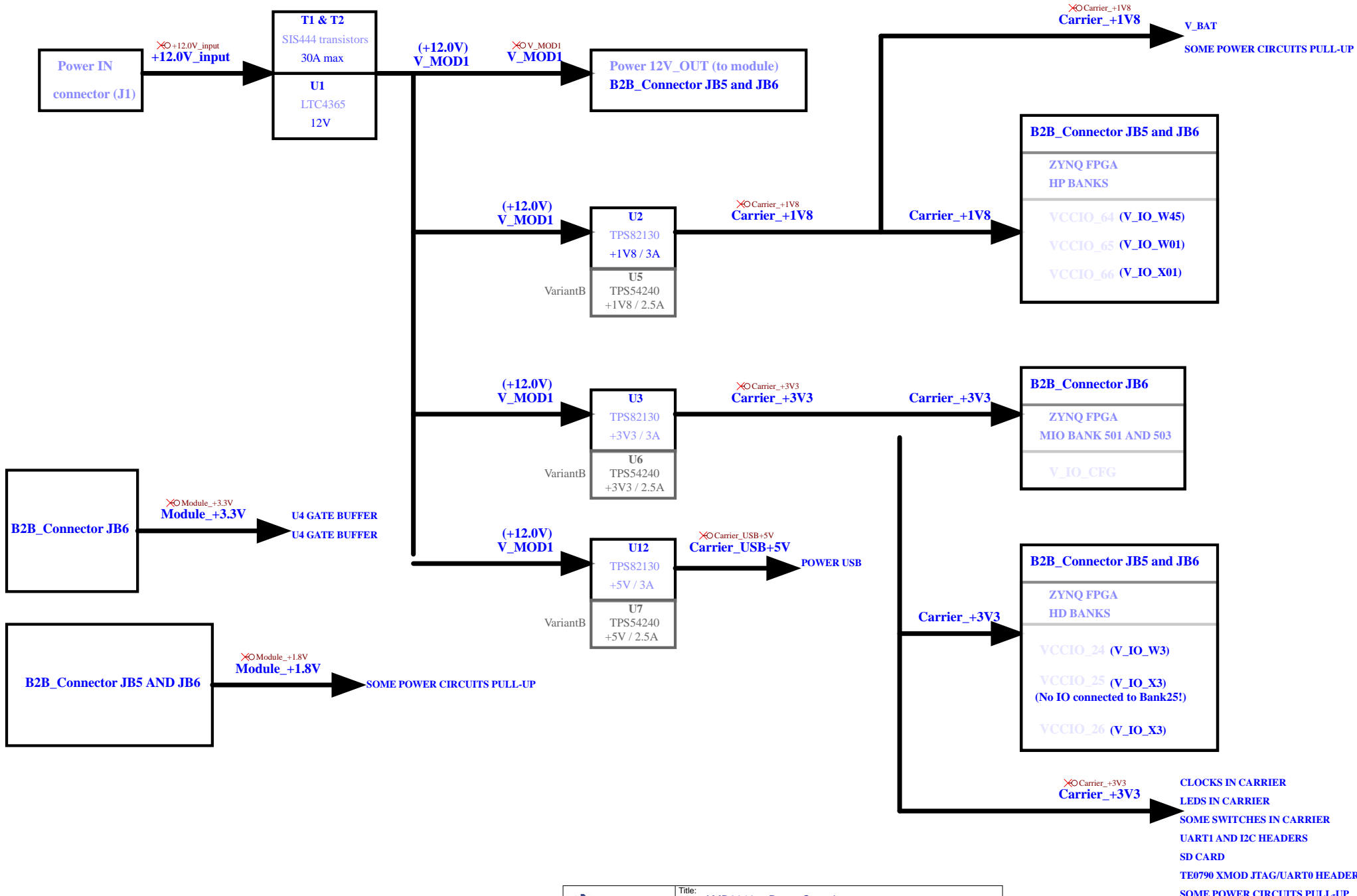
Title: AMB0010 MECH		
A4	Number: 16 B	Rev. 01
Date: 23.09.2021	Copyright: Trenz Electronic GmbH	Page 16 of 18
Filename: MECH.schdoc		

1

2

3

4



Title: AMB0010 – PowerOverview		
A4	Number: 17 B	Rev. 01
Date: 23.09.2021	Copyright: Trenz Electronic GmbH	Page 17 of 18
Filename: PowerOverview.SchDoc		

1

2

3

4

A

A

REV	Description	
-01	Initial revision	GH

B


B

C

C

D

D

			Title: AMB0010 – Revision_Changes					
			A4	Number: 18 B		Rev. 01		
			Date: 23.09.2021		Copyright: Trenz Electronic GmbH		Page 18 of 18	
			Filename: Revision_Changes.SchDoc					

1

2

3

4