


Regarding the usage of our schematics and alike documentation for Trenz module AM0010.

Project is protected under copyright and we strongly and strictly prohibit the reverse engineering or recreation, even if the design is just adapted or modified. AM0010 is protected under such right and in case of plagiarism we will have to do anything necessary in order to protect our assets.

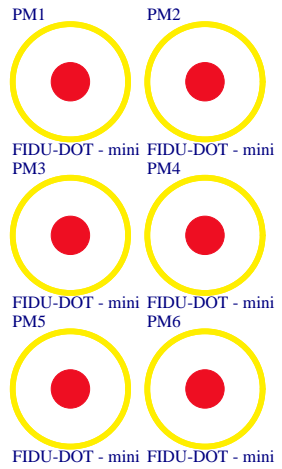
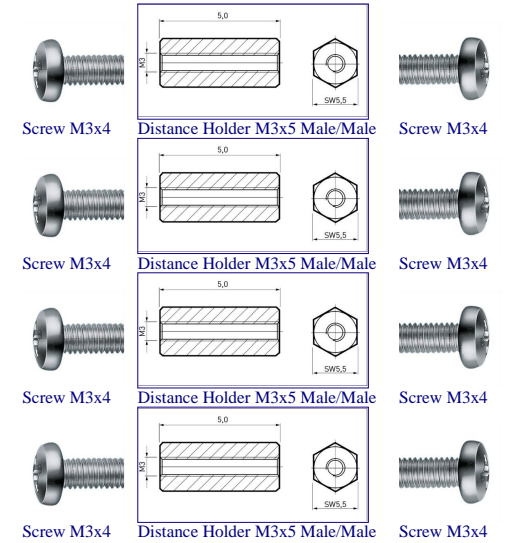
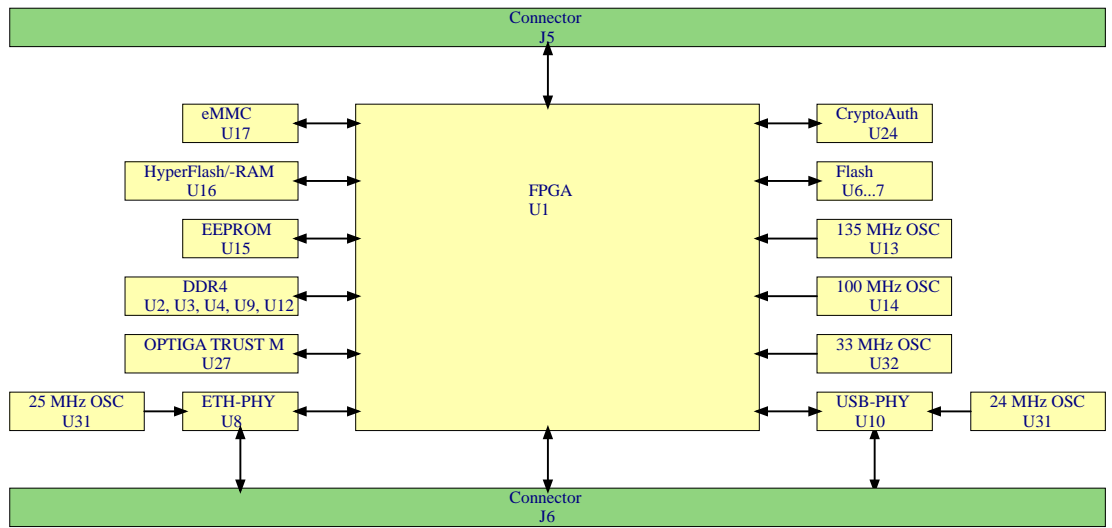
Schematics and other handouts serve for informational purposes only!

	Title: AM0010 – Legal Notices Modules		
	A4	Number: Legal Notices Modules 4AE21MA	Rev. 01
	Date: 29.10.2021	Copyright: Trenz Electronic GmbH	Page 1 of 30
	Filename: Legal Notices Modules.SchDoc		

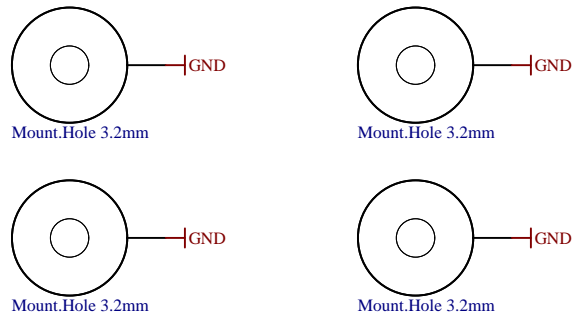
- U_B2B_Connector_1
B2B_Connector_1.SchDoc
- U_B2B_Connector_2
B2B_Connector_2.SchDoc
- U_MPSoC
MPSoC.SchDoc
- U_DDR4-RAM
DDR4-RAM.SchDoc
- U_DDR4-RAM_2
DDR4-RAM_2.SchDoc
- U_DDR4-RAM_3
DDR4-RAM_3.SchDoc
- U_DDR4-RAM_4
DDR4-RAM_4.SchDoc
- U_DDR4-RAM_5
DDR4-RAM_5.SchDoc
- U_DDR4-CAPS
DDR4-CAPS.SchDoc
- U_DDR4-TERM
DDR4-TERM.SchDoc
- U_ETHPHY
ETHPHY.SchDoc
- U_USBPHY
USBPHY.SchDoc
- U_eMMC
eMMC.SchDoc
- U_MISC
MISC.SchDoc

- U_POWER_1
POWER_1.SchDoc
- U_POWER_2
POWER_2.SchDoc
- U_REV_CH
Revision_Changes.SchDoc
- U_Legal_Notices_Modules
Legal_Notices_Modules.SchDoc

Special notes:



Serial
Serialnumber 6,3 x 6.3mm



Assembly variant	4AE21MA
Created by	VY
Modified by	VY
Modified at	2021-12-20
SVN Revision	480

Title: AM0010		
A4	Number: AM0010 4AE21MA	Rev. 01
Date: 08.12.2021	Copyright: Trenz Electronic GmbH	Page 2 of 30
Filename: AM0010.SchDoc		

1

2

3

4

A

A

B

B

C

C

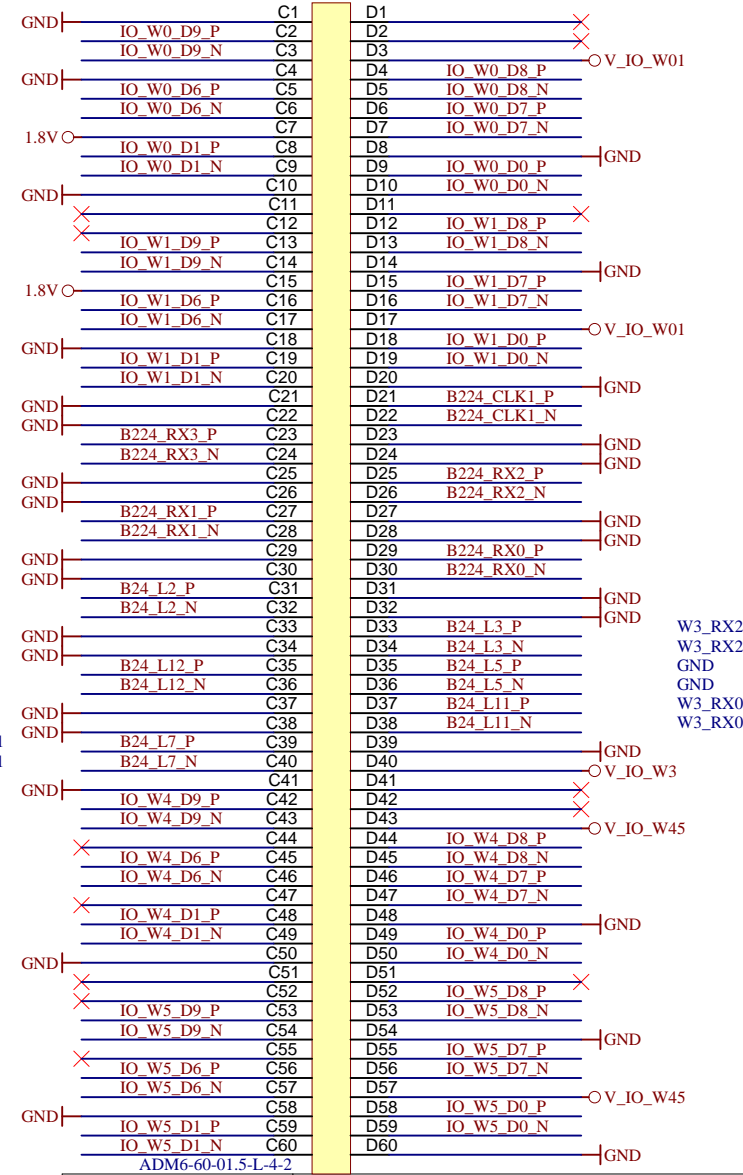
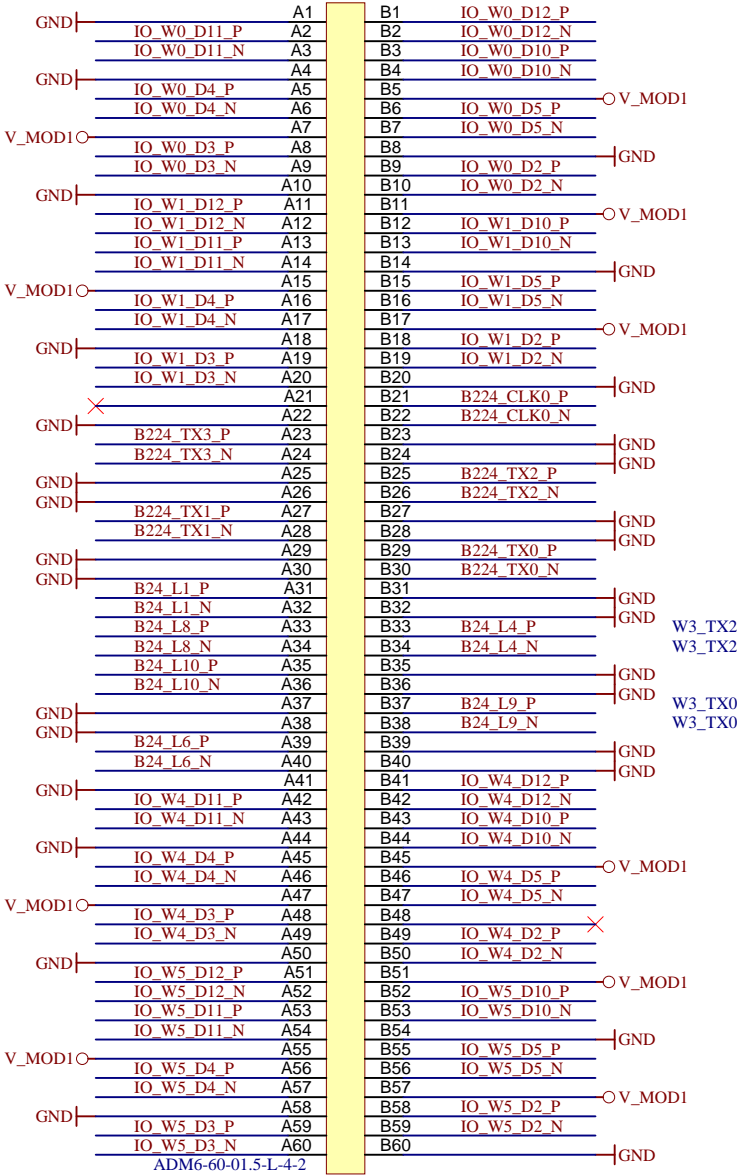
D

D

Connector W

J5A

J5B



W3_TX3
W3_TX3
GND
W3_TX1
W3_TX1

W3_CLK0
W3_CLK0

W3_TX2
W3_TX2

W3_TX0
W3_TX0

W3_RX3
W3_RX3

W3_RX1
W3_RX1

W3_CLK1
W3_CLK1

W3_RX2
W3_RX2
GND
W3_RX0
W3_RX0

W3_RX0
W3_RX0



Title: AM0010 – B2B_Connector_1		
A4	Number: B2B_Connector_1 4AE21MA	Rev. 01
Date: 29.10.2021	Copyright: Trenz Electronic GmbH	Page 3 of 30
Filename: B2B_Connector_1.SchDoc		

1

2

3

4

1












2

3

4

A

A

- U_B64
B64.SchDoc

- U_B65
B65.SchDoc

- U_B66
B66.SchDoc

- U_B_HD
B_HD.SchDoc

- U_B_MIO
B_MIO.SchDoc

- U_PS_DDR
PS_DDR.SchDoc

- U_B_PS_GT
B_PS_GT.SchDoc

- U_B_GT
B_GT.SchDoc

- U_CONFIG
CONFIG.SchDoc

- U_ZU_POWER
ZU_POWER.SchDoc

- U_ZU_PS_POWER
ZU_PS_POWER.SchDoc


B

B

C

C

D

D

1

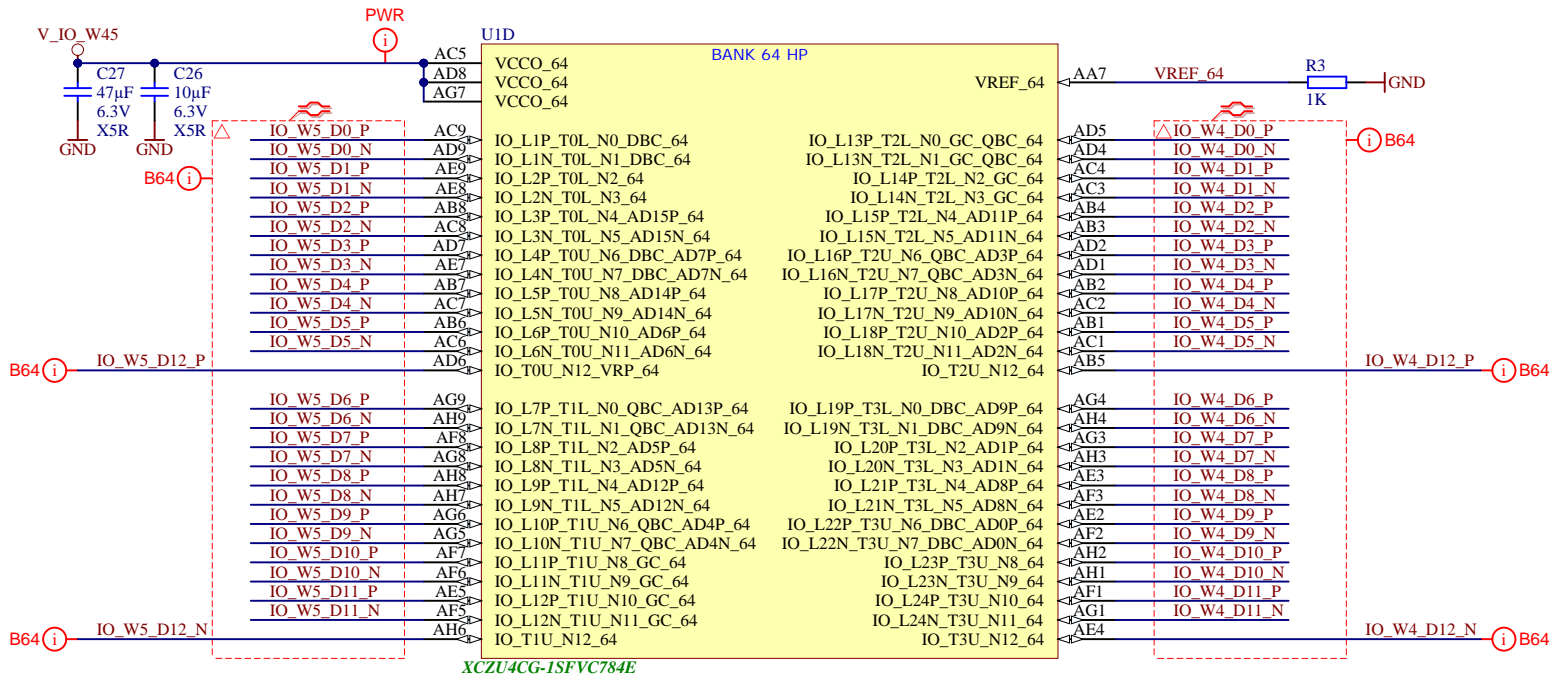
2

3

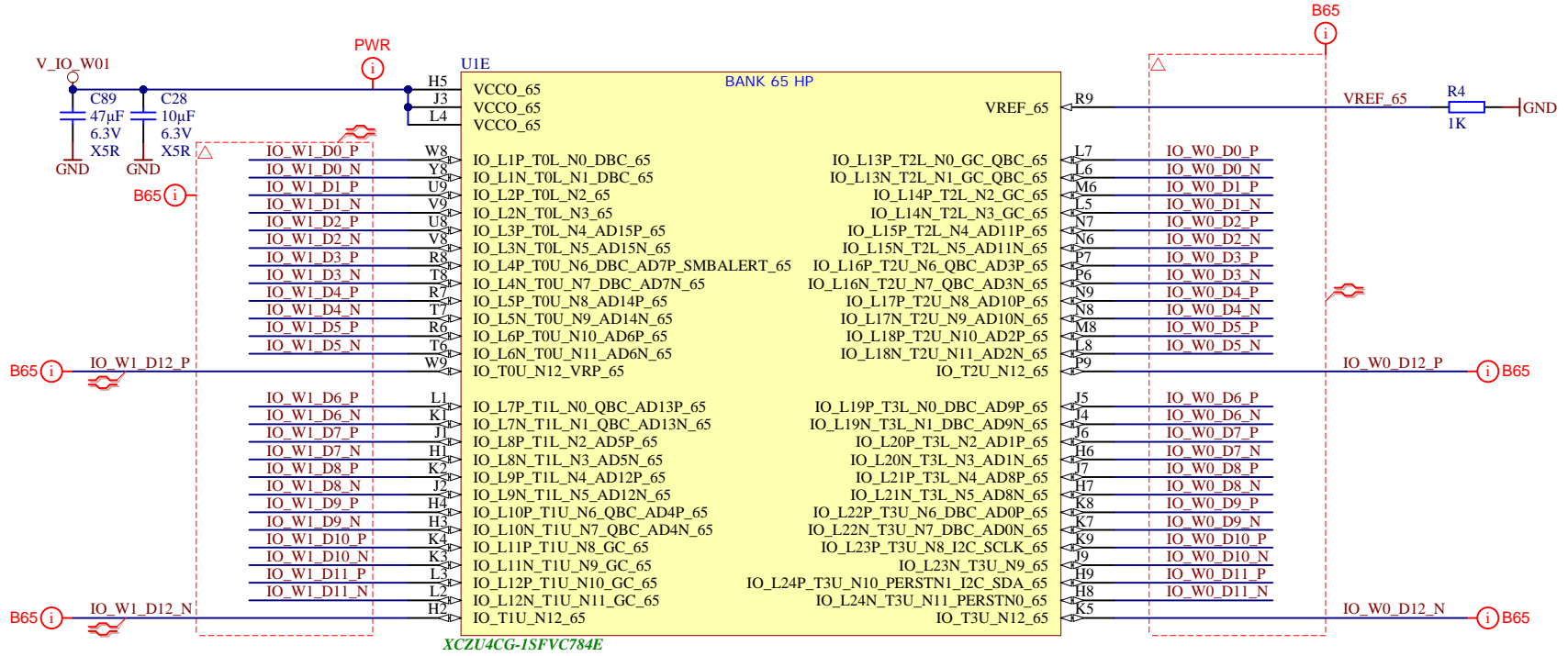
4



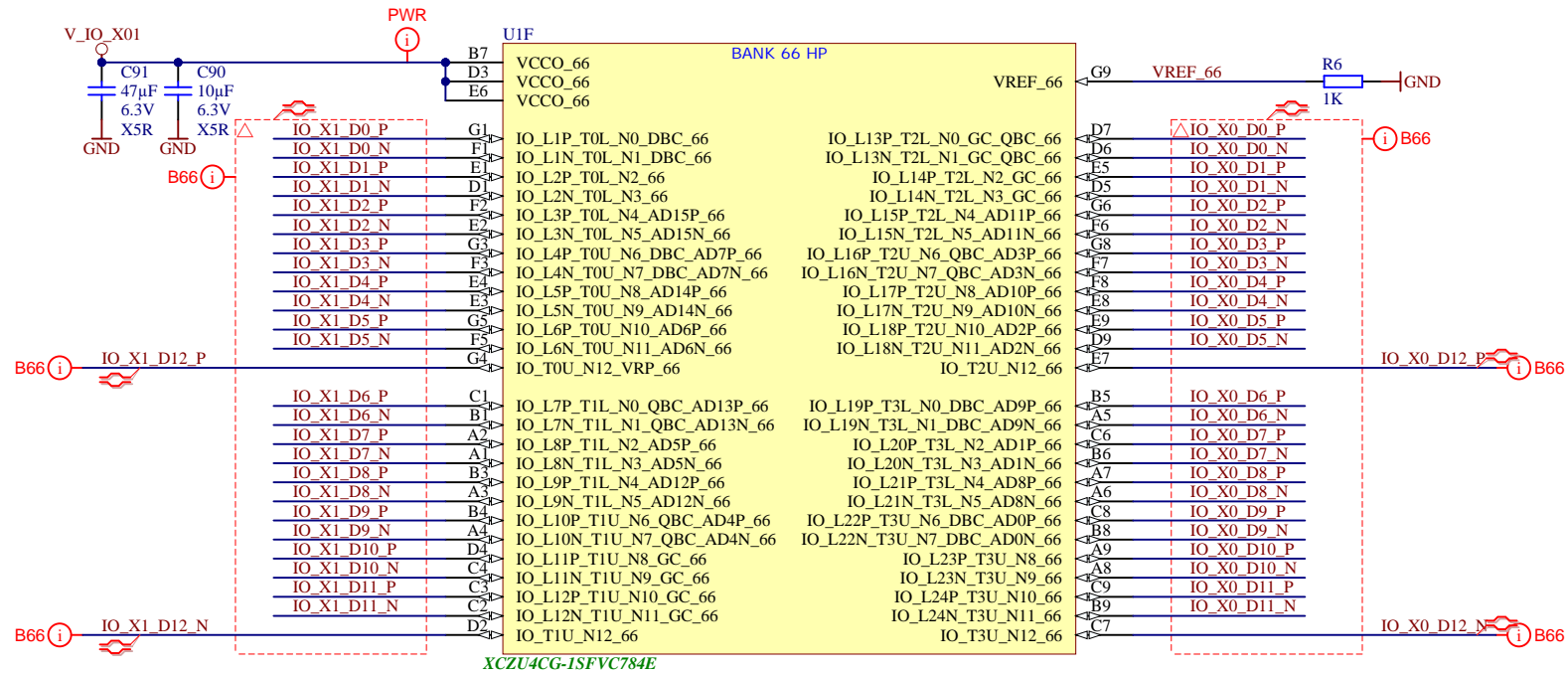
Title: AM0010 – MPSoC		
A4	Number: MPSoC 4AE21MA	Rev. 01
Date: 29.10.2021	Copyright: Trenz Electronic GmbH	Page 5 of 30
Filename: MPSoC.SchDoc		




Title: AM0010 – B64		
A4	Number: B64 4AE21MA	Rev. 01
Date: 29.10.2021	Copyright: Trenz Electronic GmbH	Page 6 of 30
Filename: B64.SchDoc		



Title: AM0010 – B65		
A4	Number: B65 4AE21MA	Rev. 01
Date: 29.10.2021	Copyright: Trenz Electronic GmbH	Page 7 of 30
Filename: B65.SchDoc		



		Title: AM0010 – B66	
		A4	Number: B66 4AE21MA
Date: 29.10.2021		Copyright: Trenz Electronic GmbH	Rev. 01
Filename: B66.SchDoc		Page 8 of 30	

A

A

B

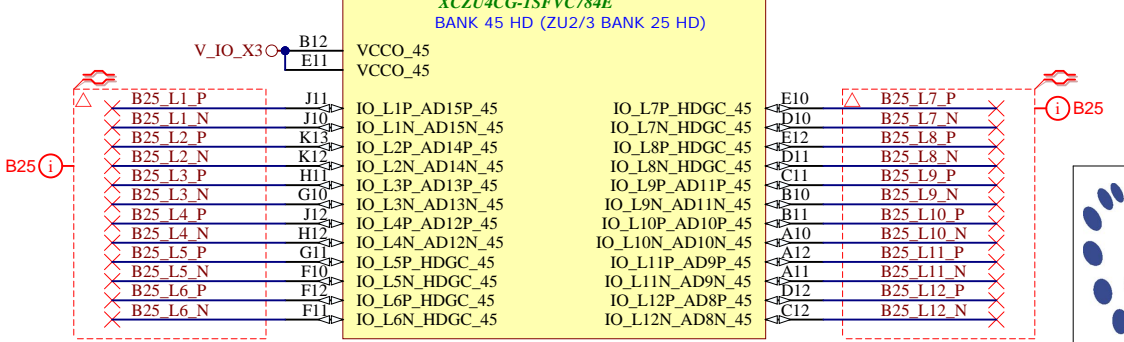
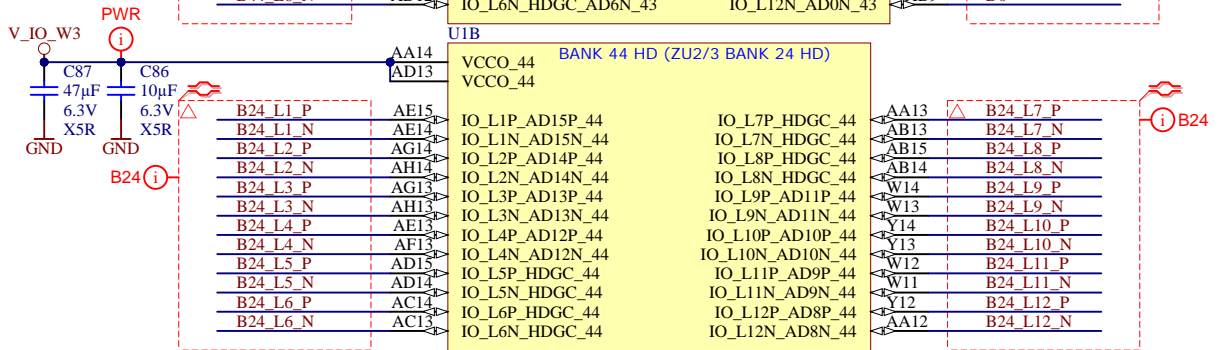
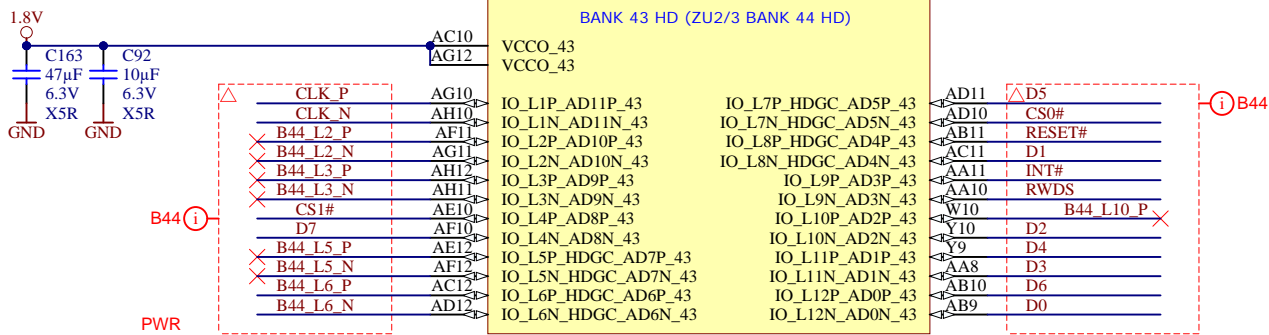
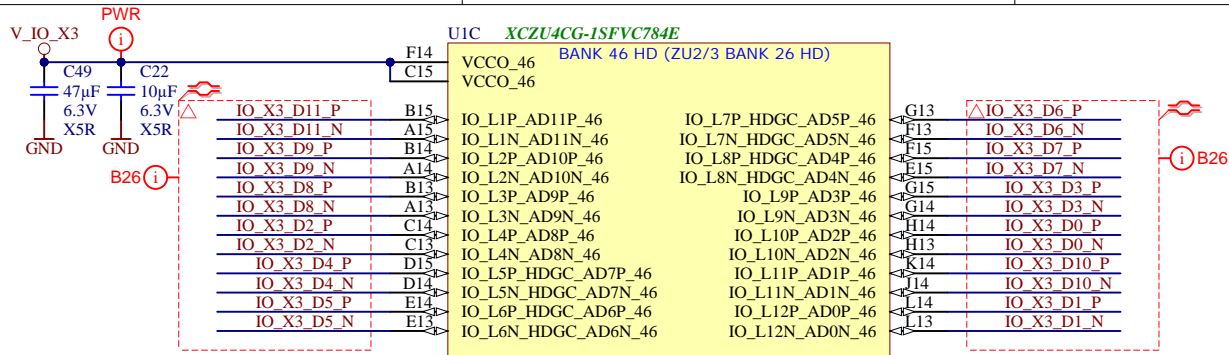
B

C

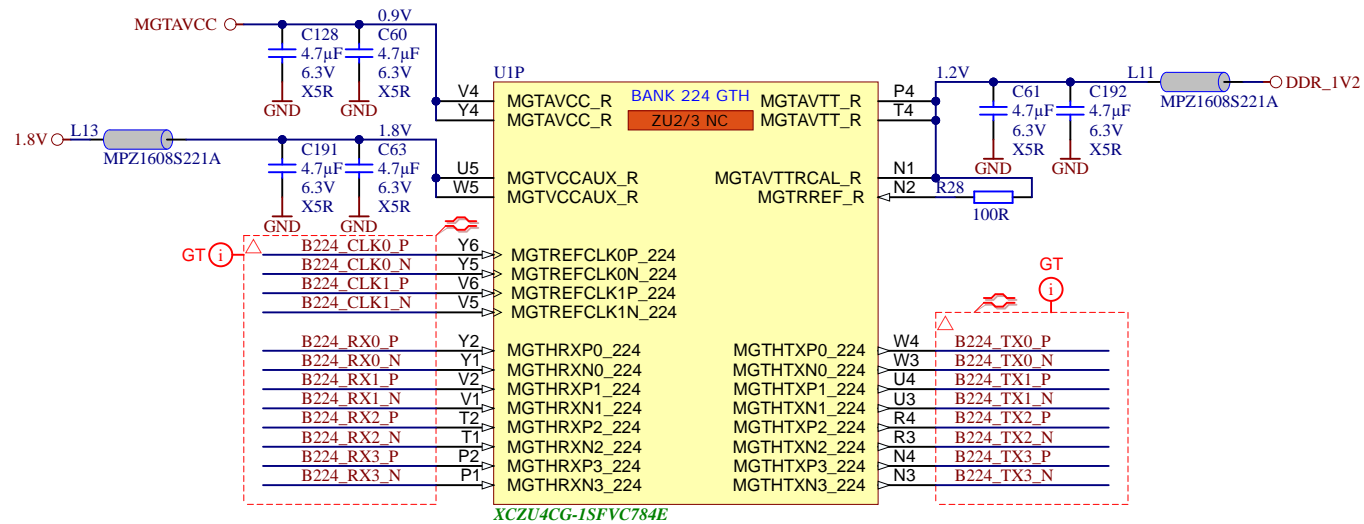
C


D

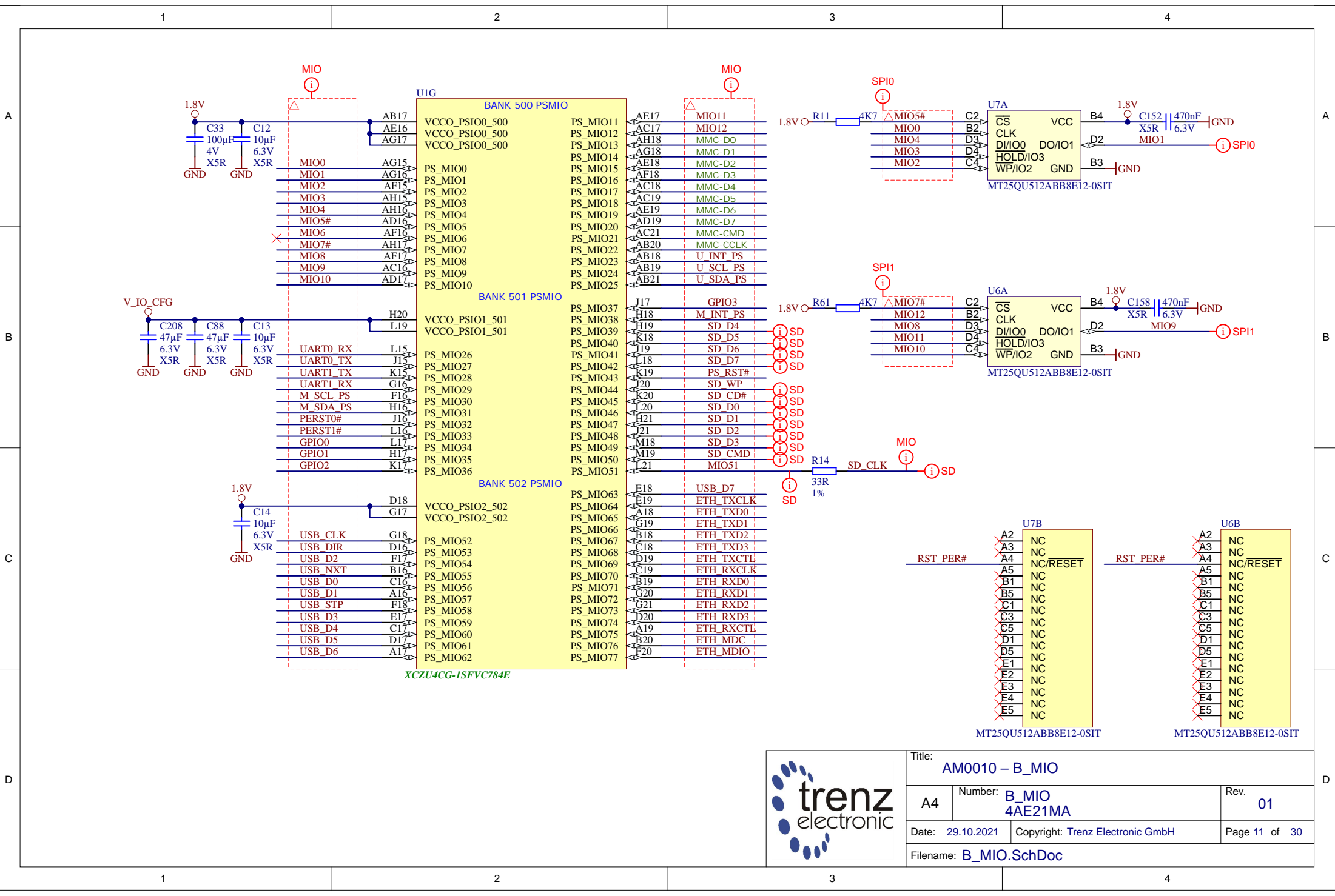
D



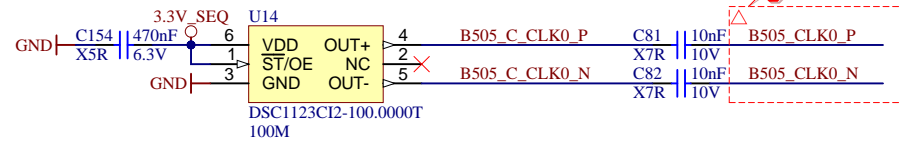
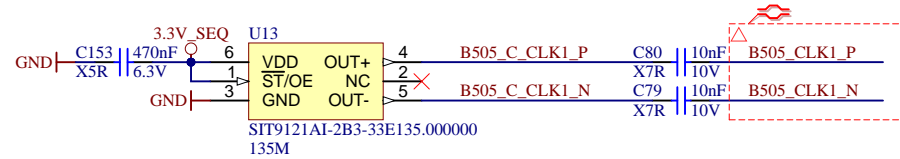
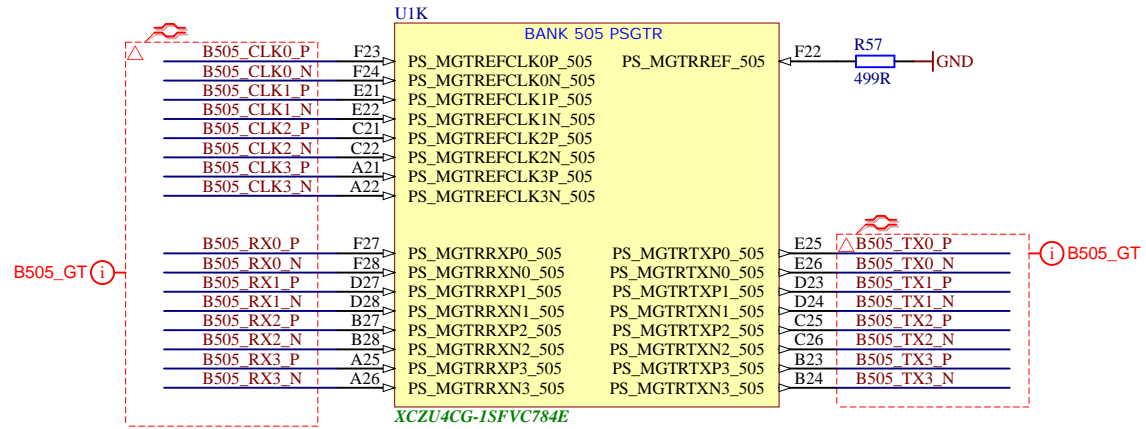
Title: AM0010 - B_HD		
A4	Number: B_HD 4AE21MA	Rev. 01
Date: 29.10.2021	Copyright: Trenz Electronic GmbH	Page 9 of 30
Filename: B_HD.SchDoc		



		Title: AM0010 - B_GT	
		A4	Number: B_GT 4AE21MA
Date: 29.10.2021		Copyright: Trenz Electronic GmbH	Rev. 01
Filename: B_GT.SchDoc		Page 10 of 30	



Title: AM0010 - B_MIO		
A4	Number: B_MIO 4AE21MA	Rev. 01
Date: 29.10.2021	Copyright: Trenz Electronic GmbH	Page 11 of 30
Filename: B_MIO.SchDoc		



	Title: AM0010 - B_PS_GT		
	A4	Number: B_PS_GT 4AE21MA	Rev. 01
	Date: 29.10.2021	Copyright: Trenz Electronic GmbH	Page 12 of 30
	Filename: B_PS_GT.SchDoc		

A

B

C

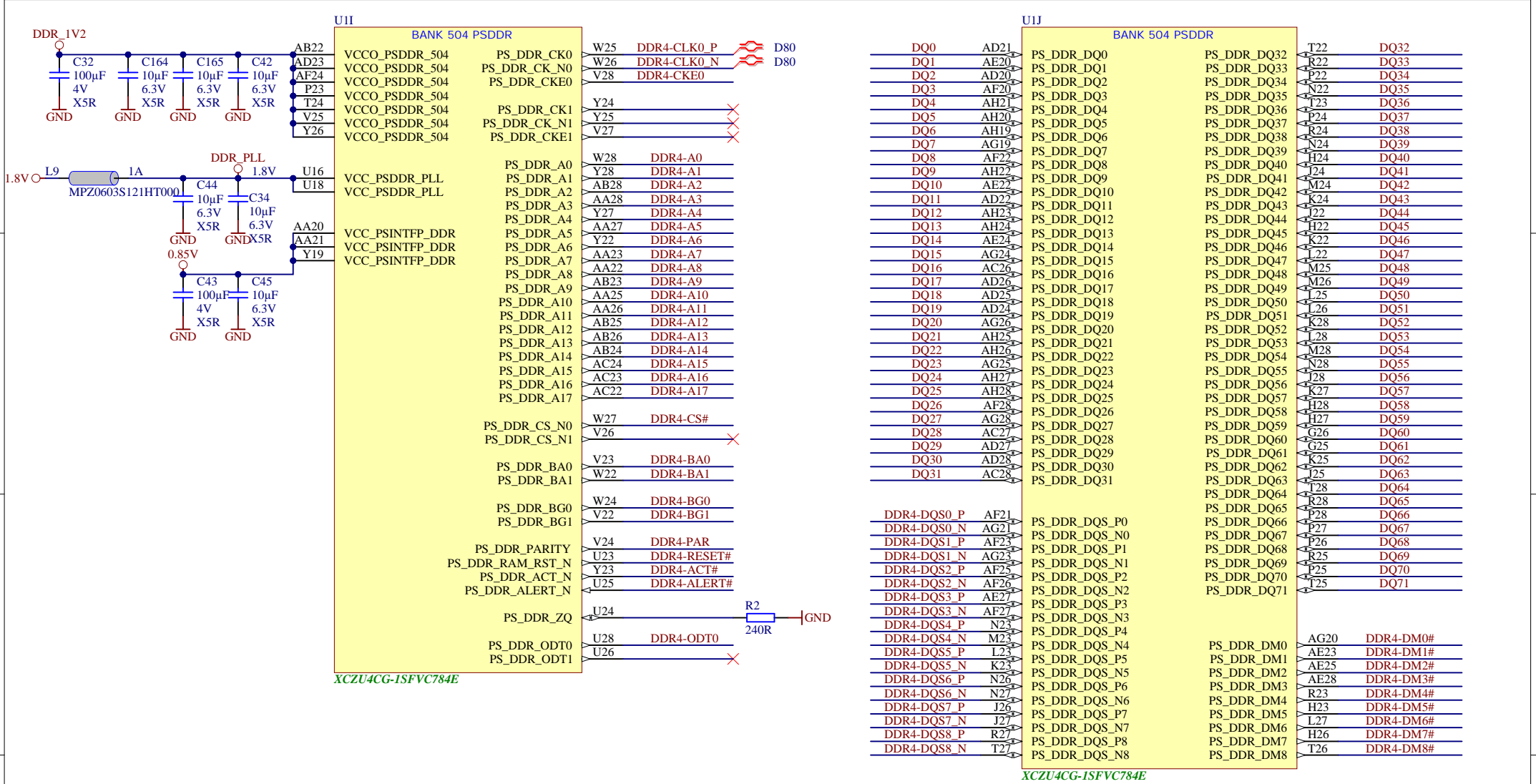
D

A

B


C

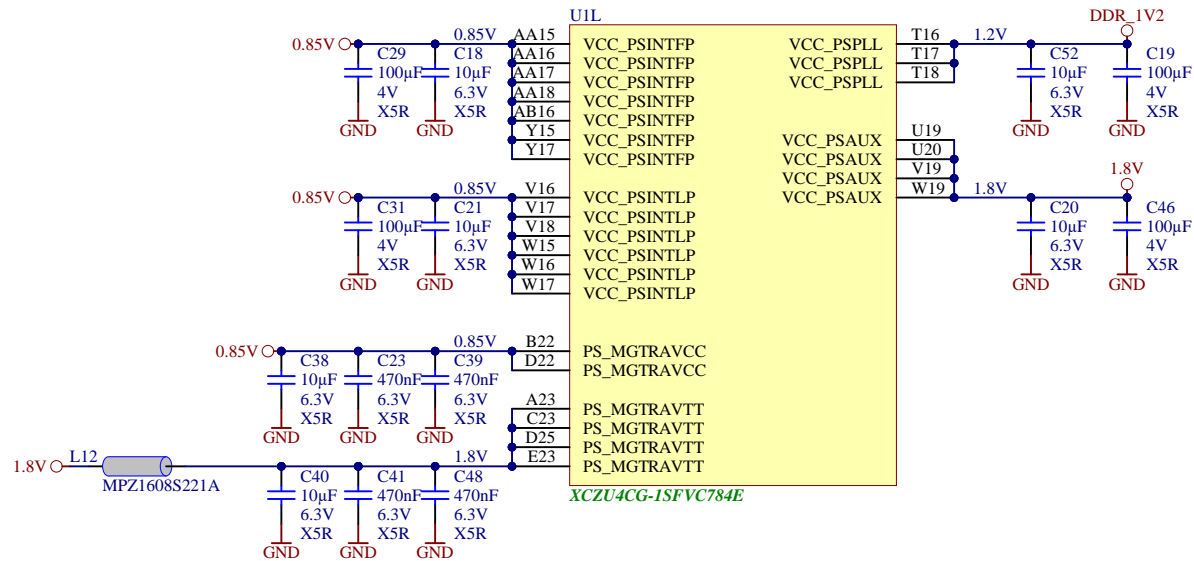
D




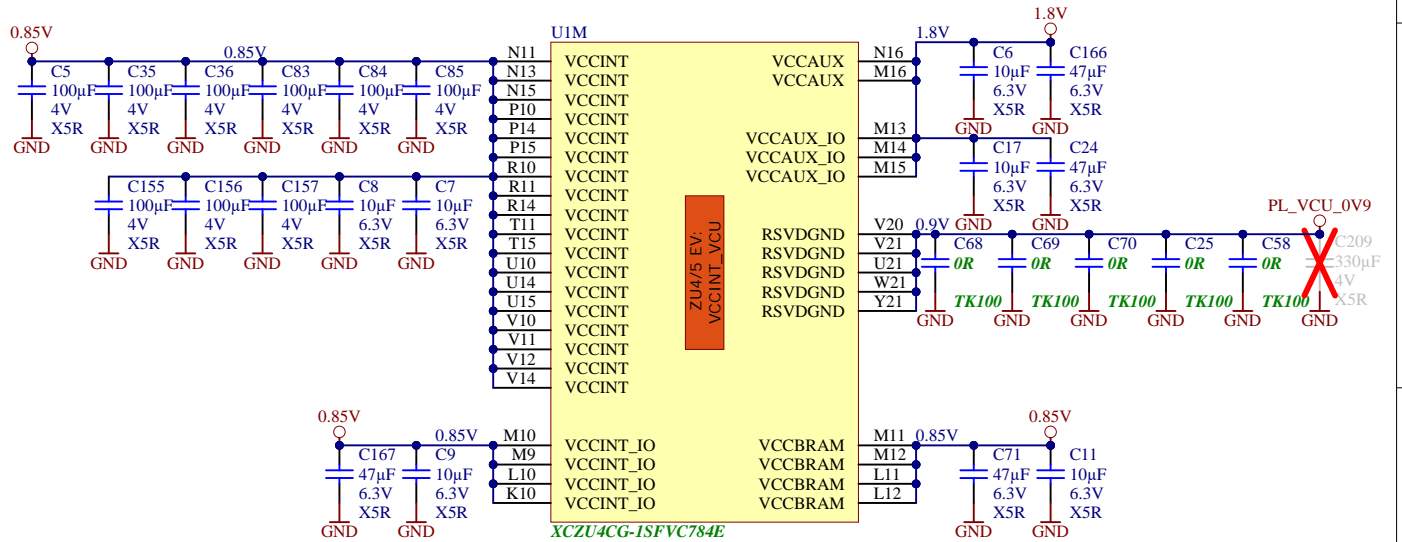
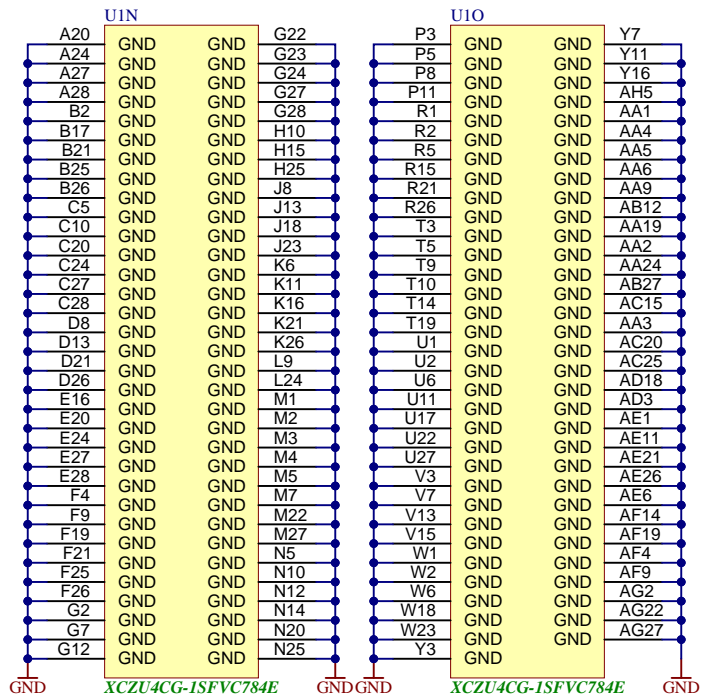
XCZU4CG-1SFVC784E


XCZU4CG-1SFVC784E

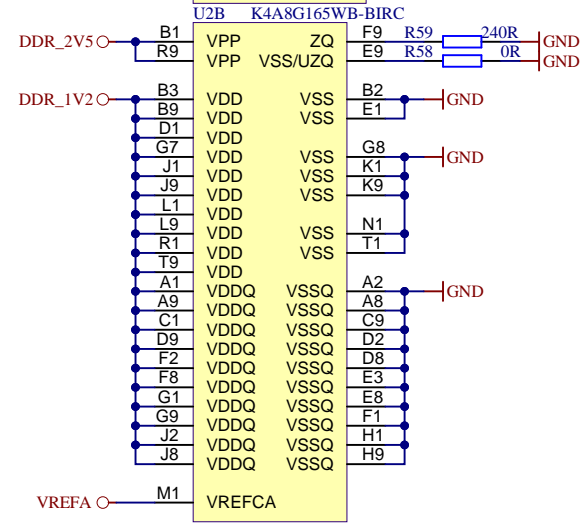
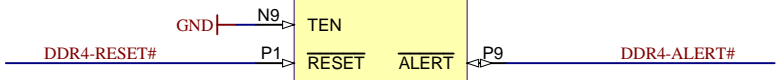
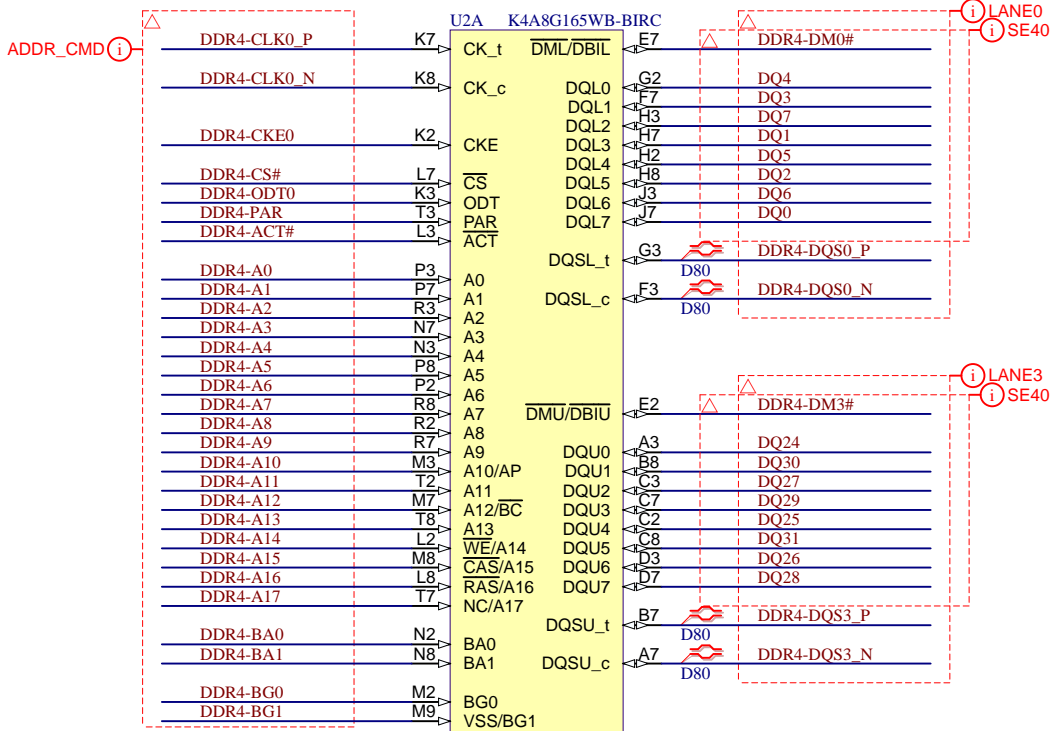
		Title: AM0010 – PS_DDR	
		A4	Number: PS_DDR 4AE21MA
Date: 29.10.2021		Copyright: Trenz Electronic GmbH	
Date: 29.10.2021		Page 14 of 30	
Filename: PS_DDR.SchDoc			



	Title: AM0010 – ZU_PS_POWER		
	A4	Number: ZU_PS_POWER 4AE21MA	Rev. 01
	Date: 29.10.2021	Copyright: Trenz Electronic GmbH	Page 15 of 30
	Filename: ZU_PS_POWER.SchDoc		



		Title: AM0010 – ZU_POWER	
		A4	Number: ZU_POWER 4AE21MA
Date: 29.10.2021		Copyright: Trenz Electronic GmbH	Rev. 01
Filename: ZU_POWER.SchDoc		Page 16 of 30	



Title: AM0010 – DDR4-RAM		
A4	Number: DDR4-RAM 4AE21MA	Rev. 01
Date: 29.10.2021	Copyright: Trenz Electronic GmbH	Page 17 of 30
Filename: DDR4-RAM.SchDoc		

A

A

B

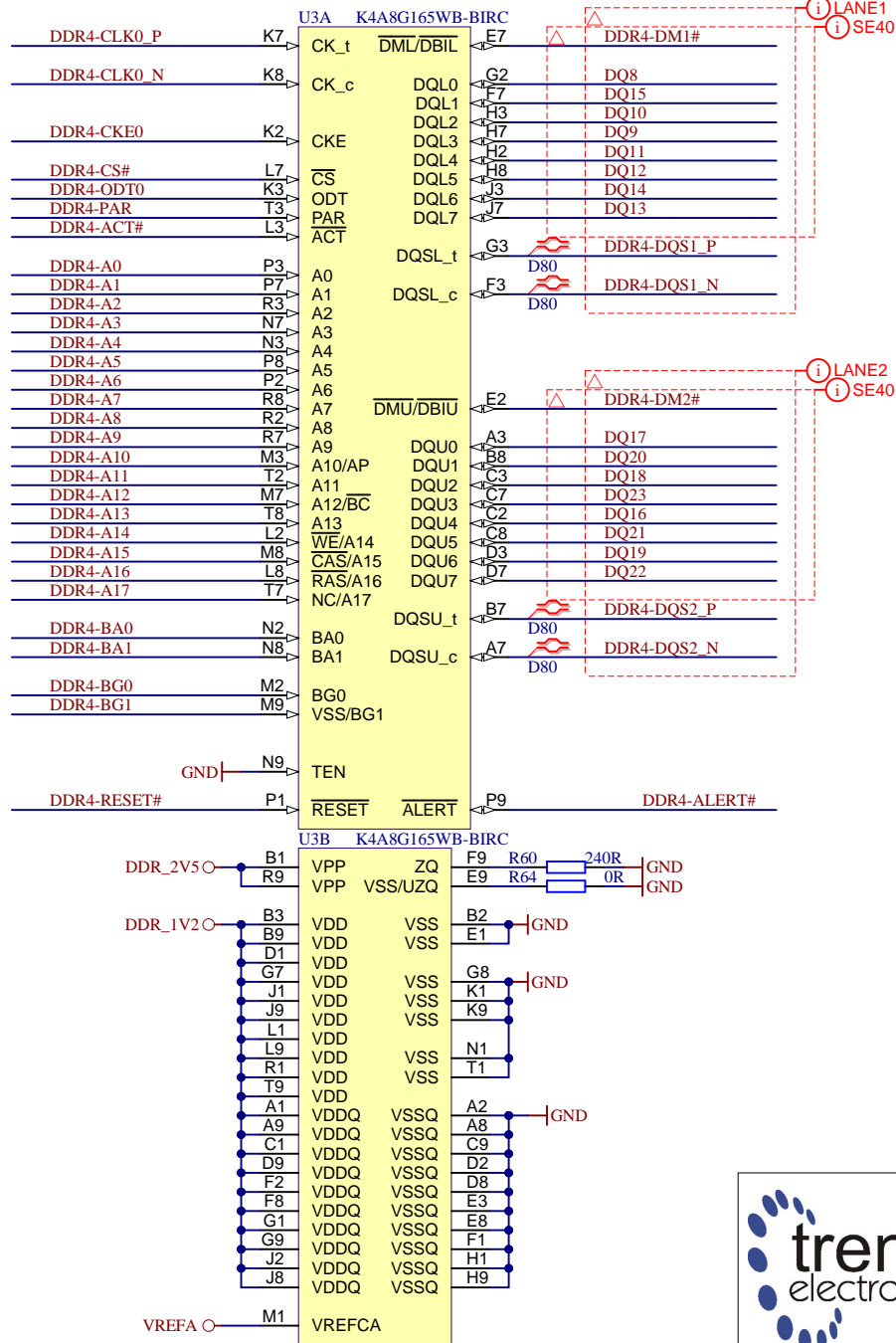

B

C

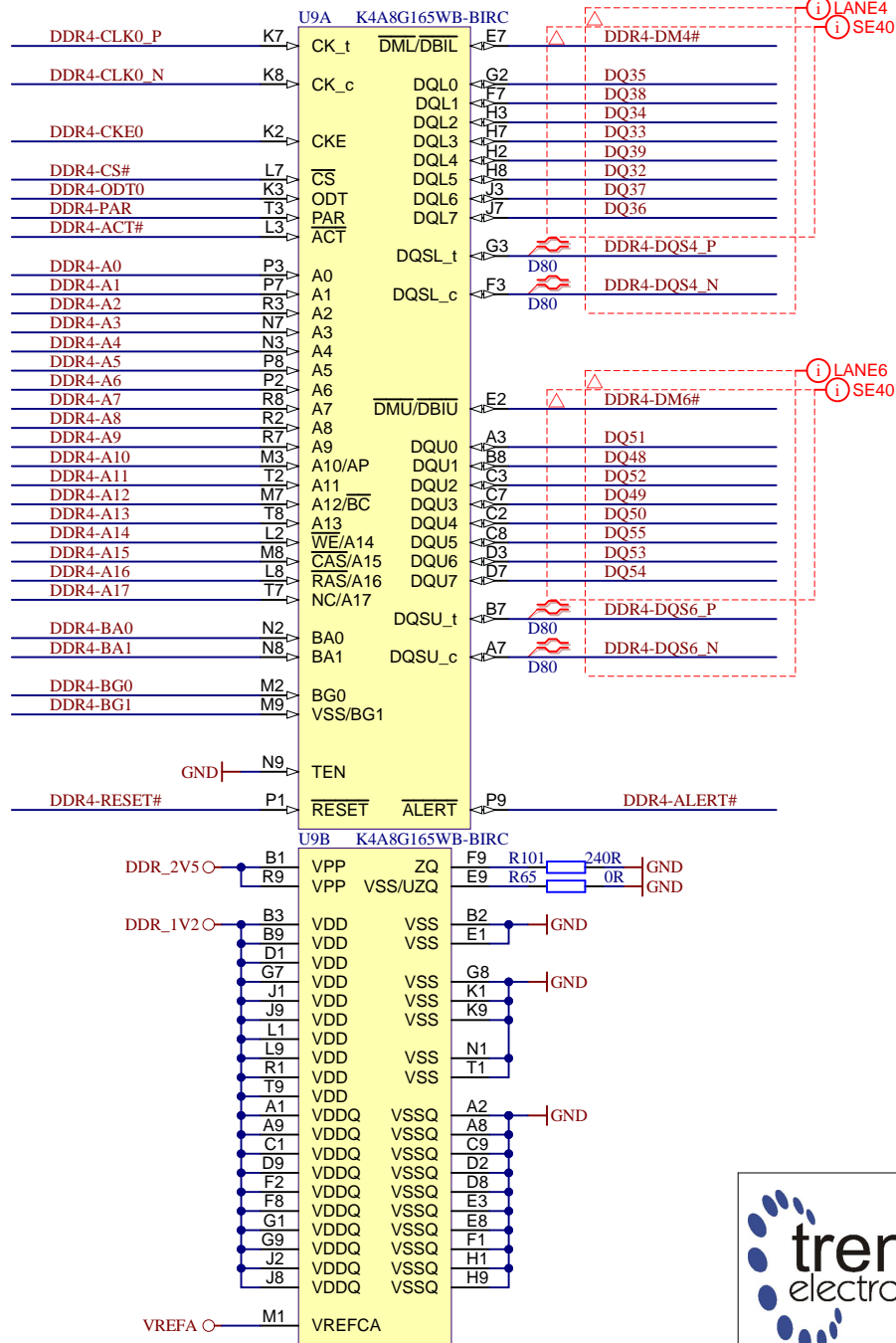

C

D

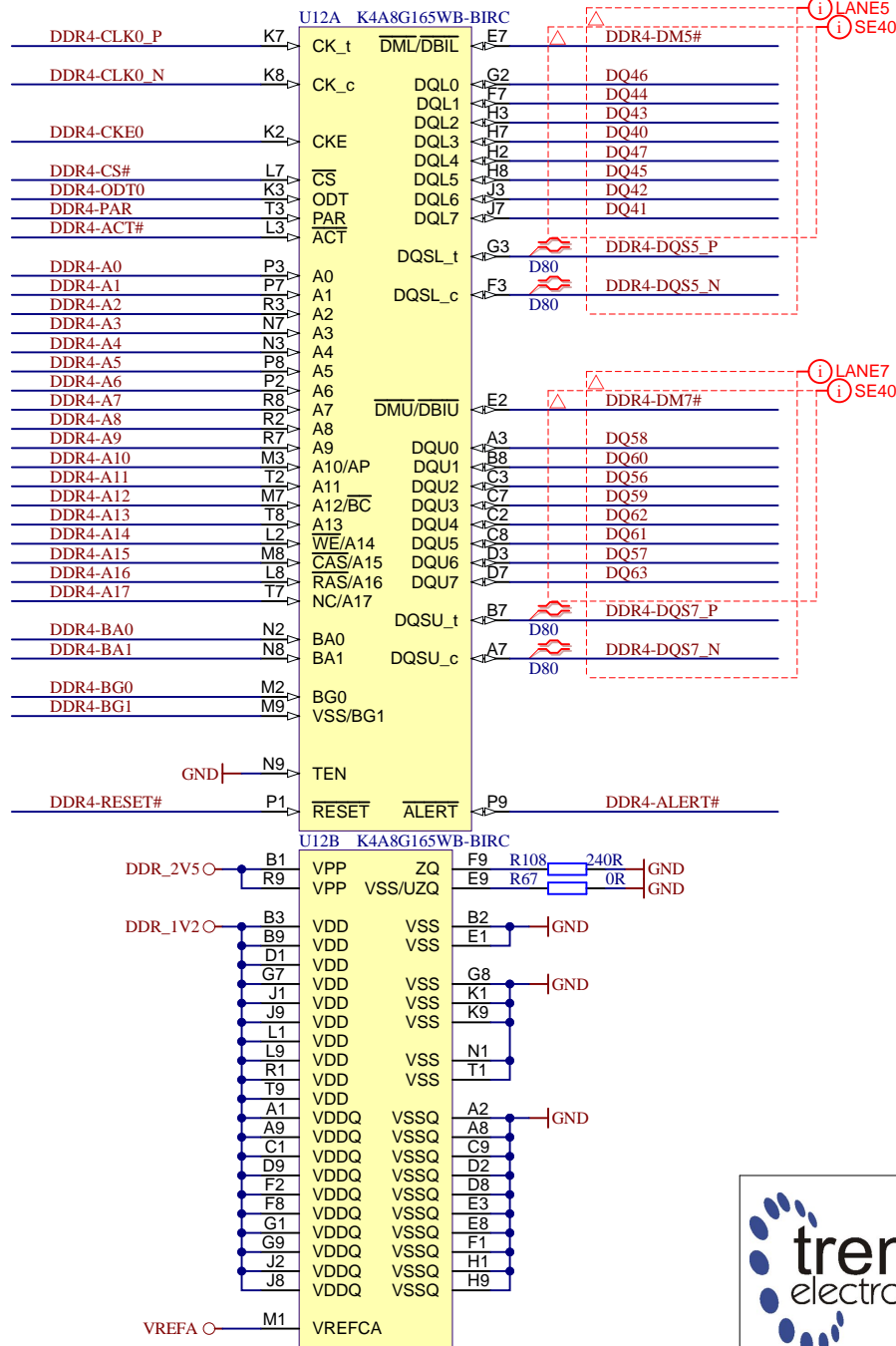

D

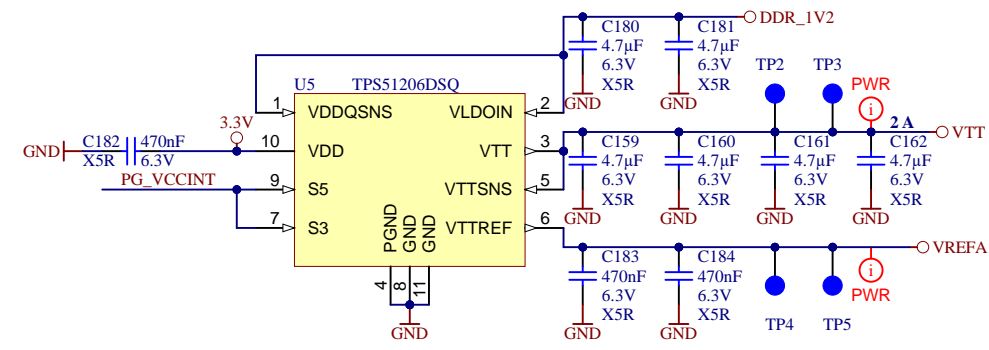
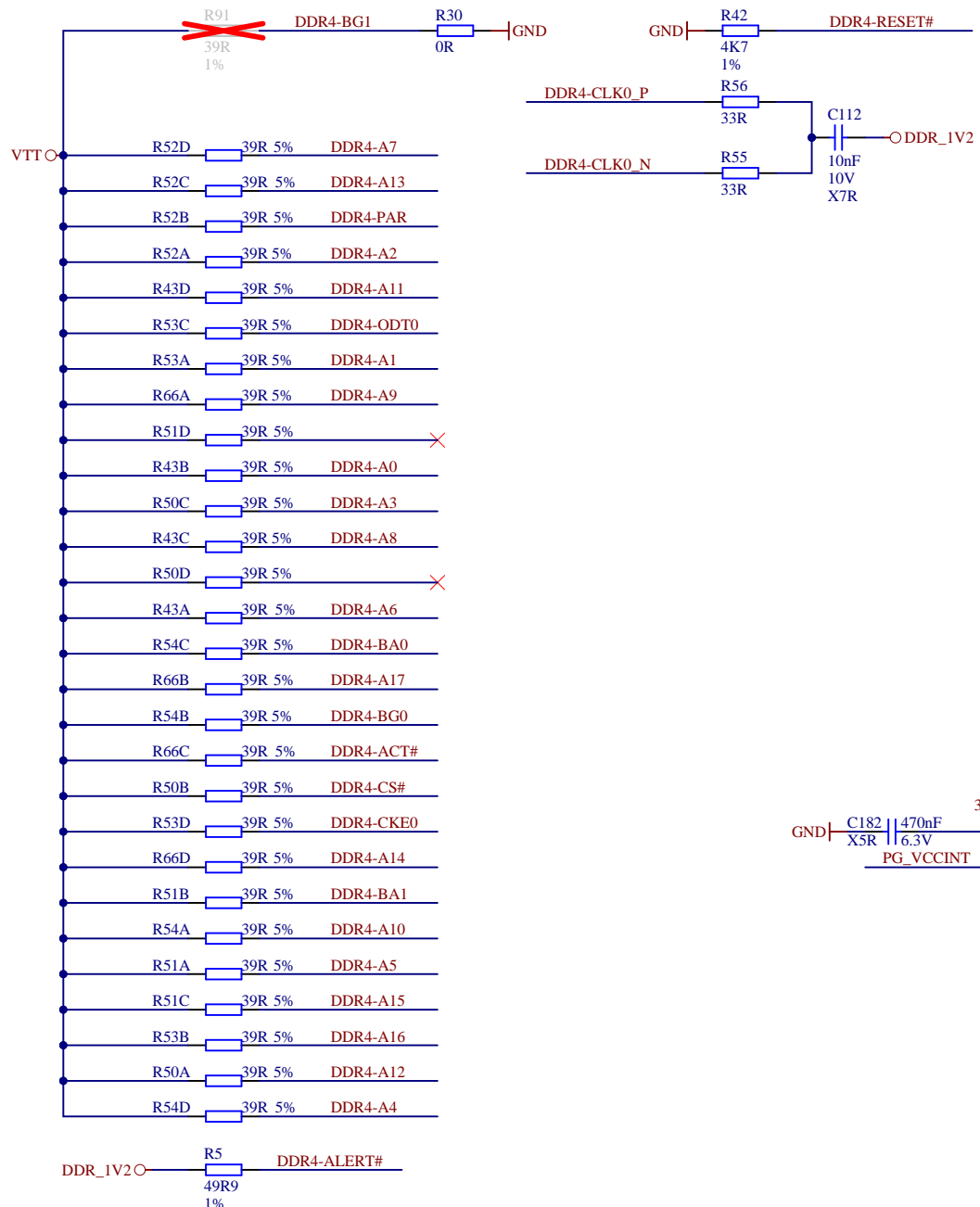
Title: AM0010 – DDR4-RAM_2		
A4	Number: DDR4-RAM_2 4AE21MA	Rev. 01
Date: 29.10.2021	Copyright: Trenz Electronic GmbH	Page 18 of 30
Filename: DDR4-RAM_2.SchDoc		

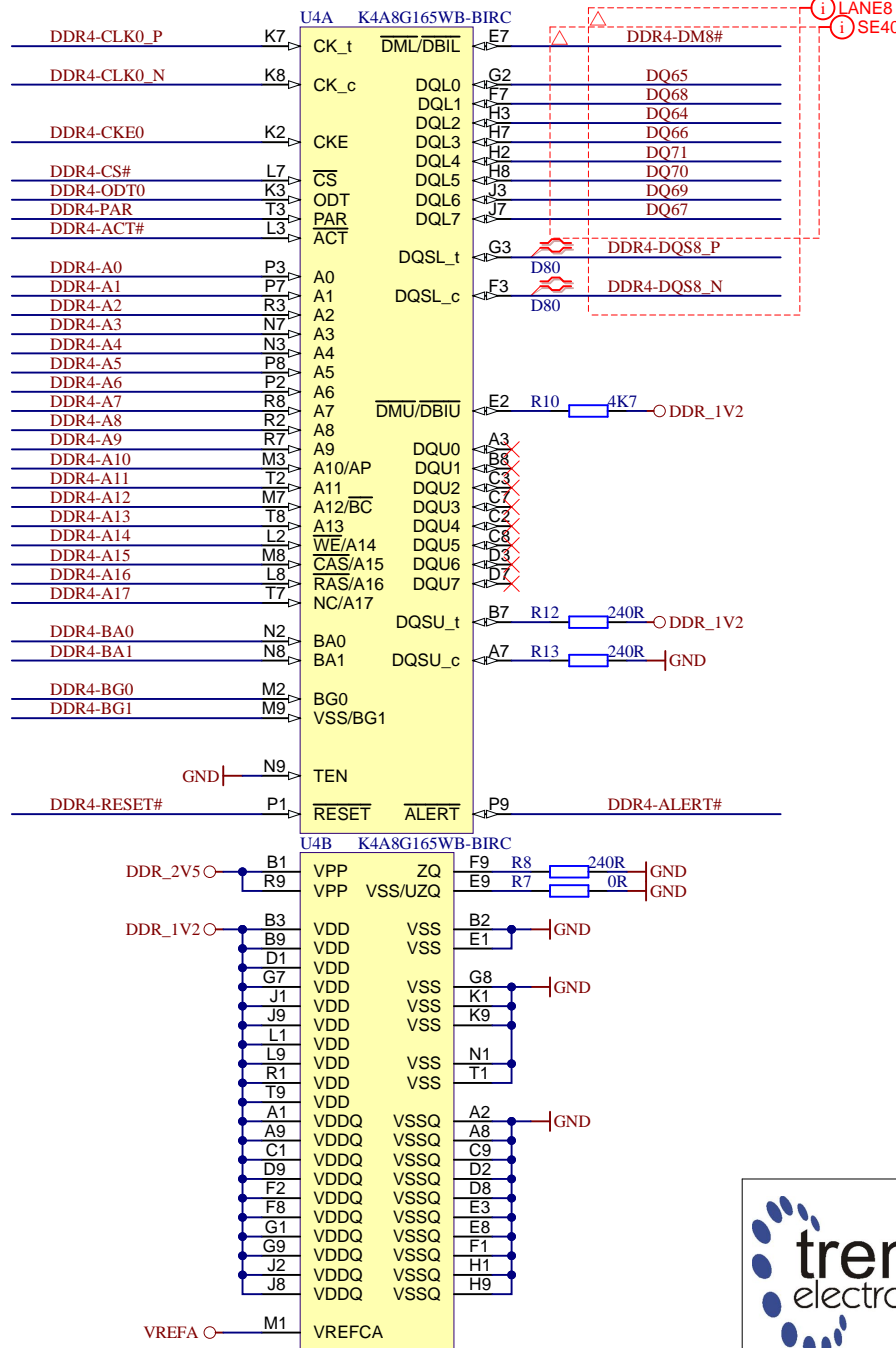
Title: AM0010 – DDR4-RAM_3		
A4	Number: DDR4-RAM_3 4AE21MA	Rev. 01
Date: 29.10.2021	Copyright: Trenz Electronic GmbH	Page 19 of 30
Filename: DDR4-RAM_3.SchDoc		

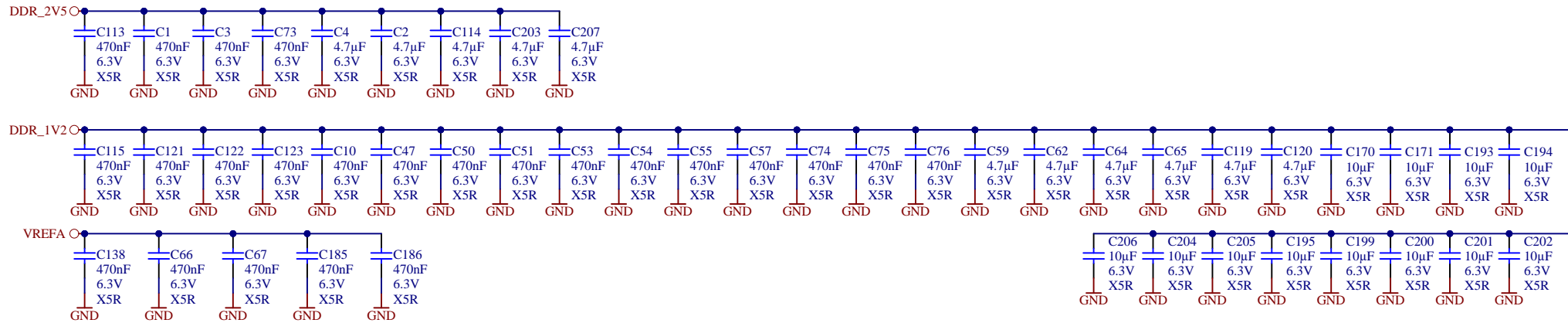
Title: AM0010 – DDR4-RAM_4		
A4	Number: DDR4-RAM_4 4AE21MA	Rev. 01
Date: 29.10.2021	Copyright: Trenz Electronic GmbH	Page 20 of 30
Filename: DDR4-RAM_4.SchDoc		



Title: AM0010 – DDR4-TERM		
A4	Number: DDR4-TERM 4AE21MA	Rev. 01
Date: 29.10.2021	Copyright: Trenz Electronic GmbH	Page 21 of 30
Filename: DDR4-TERM.SchDoc		

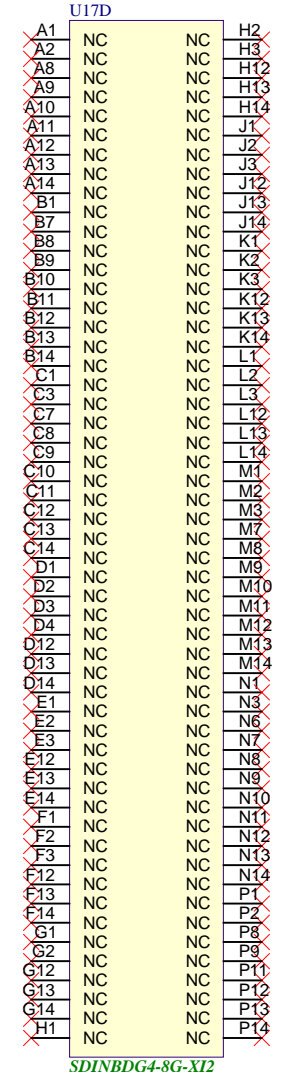
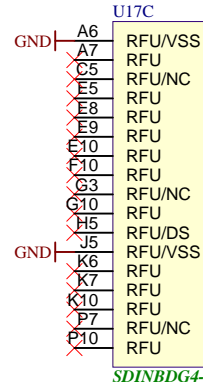
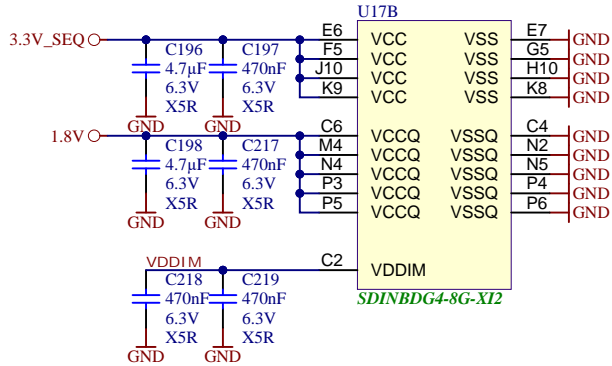
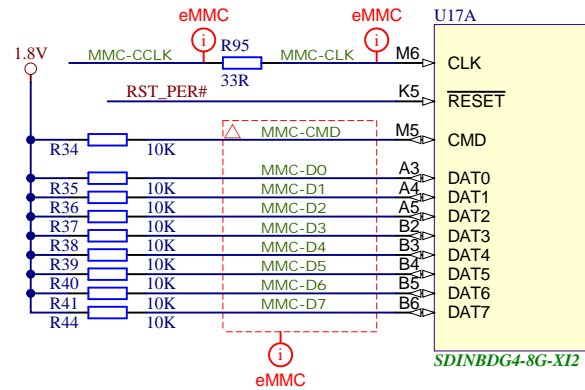


Title: AM0010 – DDR4-RAM_5		
A4	Number: DDR4-RAM_5 4AE21MA	Rev. 01
Date: 29.10.2021	Copyright: Trenz Electronic GmbH	Page 22 of 30
Filename: DDR4-RAM_5.SchDoc		

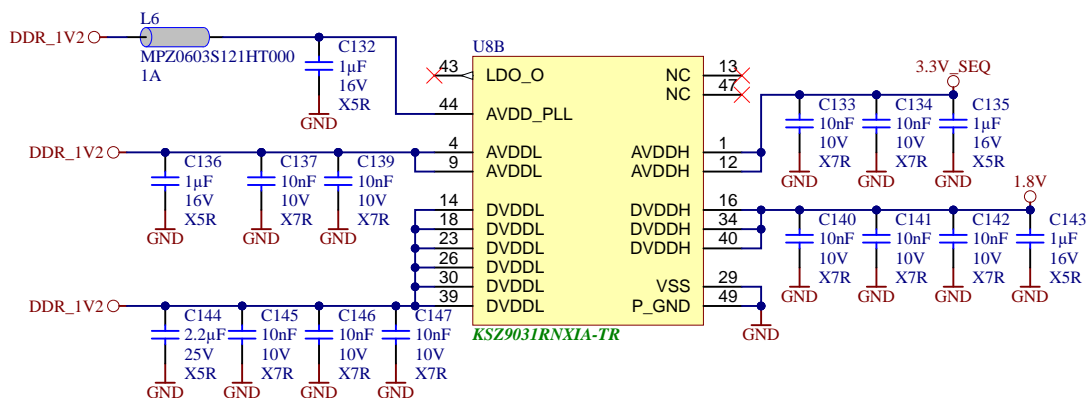
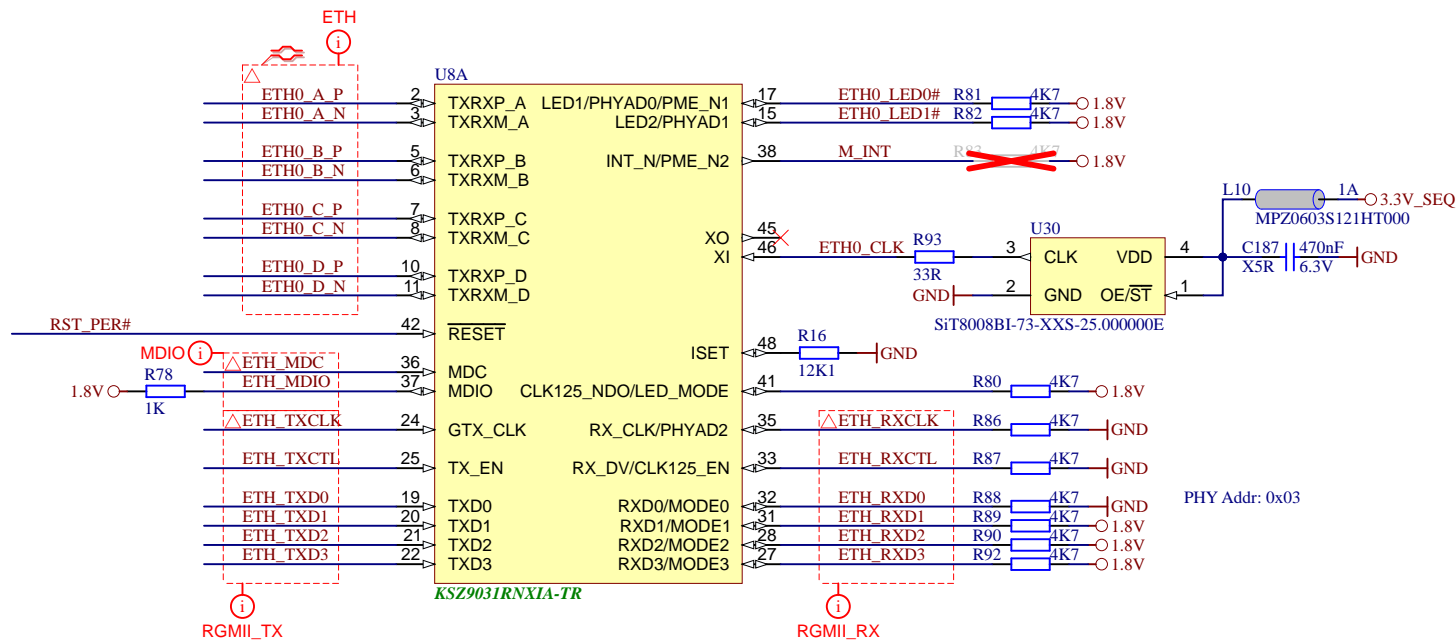



Title: AM0010 – DDR4-CAPS		
A4	Number: DDR4-CAPS 4AE21MA	Rev. 01
Date: 29.10.2021	Copyright: Trenz Electronic GmbH	Page 23 of 30
Filename: DDR4-CAPS.SchDoc		

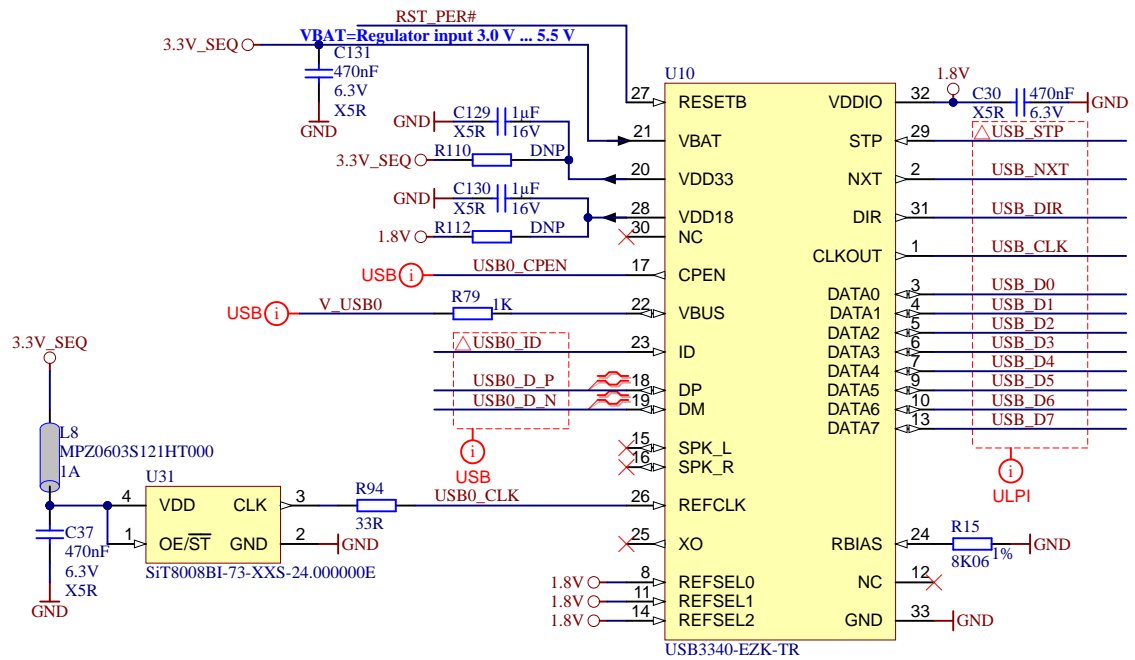
8GB eMMC



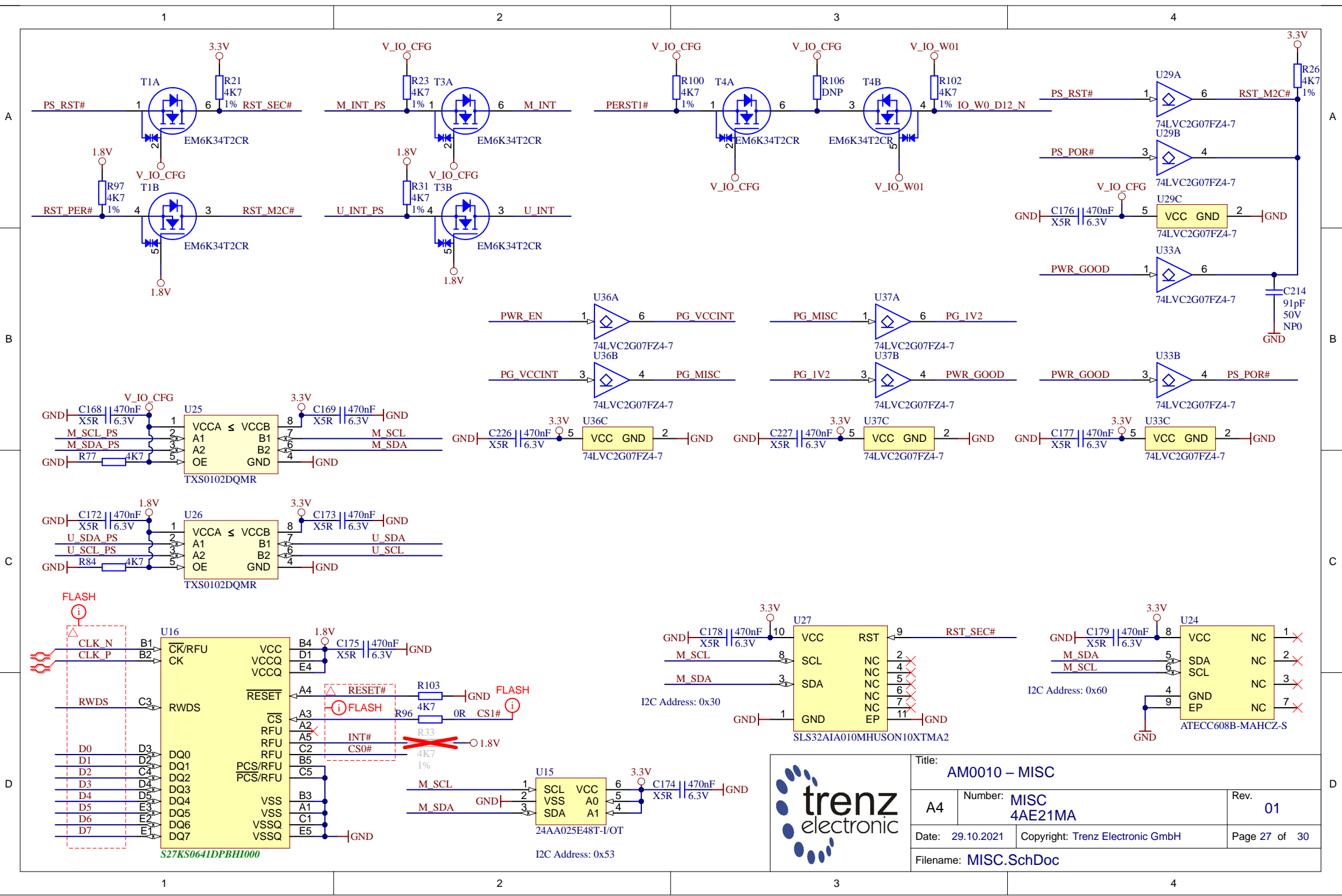
Title: AM0010 – eMMC		
A4	Number: eMMC 4AE21MA	Rev. 01
Date: 29.10.2021	Copyright: Trenz Electronic GmbH	Page 24 of 30
Filename: eMMC.SchDoc		



		Title: AM0010 – ETHPHY	
		A4	Number: ETHPHY 4AE21MA
Date: 29.10.2021		Copyright: Trenz Electronic GmbH	Rev. 01
Date: 29.10.2021		Page 25 of 30	Page 25 of 30
Filename: ETHPHY.SchDoc			

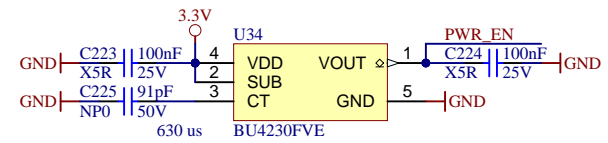
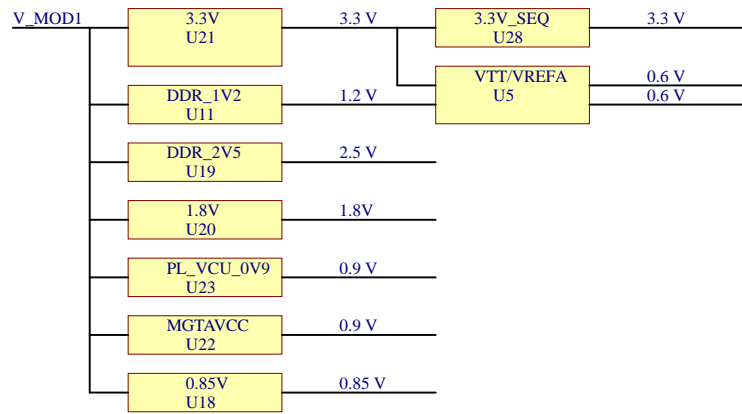


Title: AM0010 – USBPHY		
A4	Number: USBPHY 4AE21MA	Rev. 01
Date: 29.10.2021	Copyright: Trenz Electronic GmbH	Page 26 of 30
Filename: USBPHY.SchDoc		

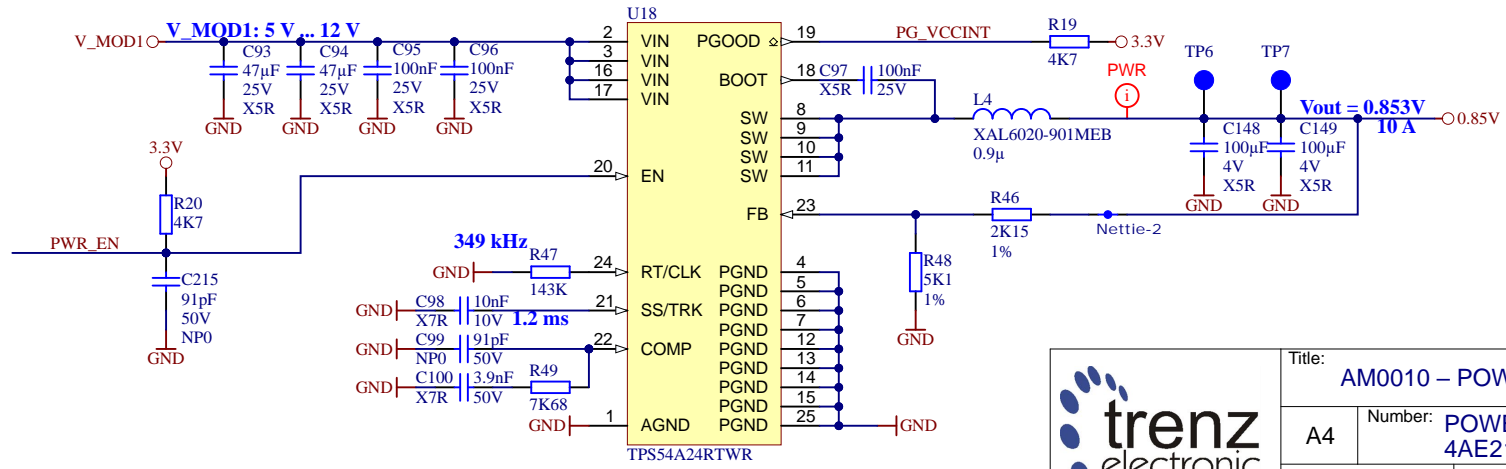
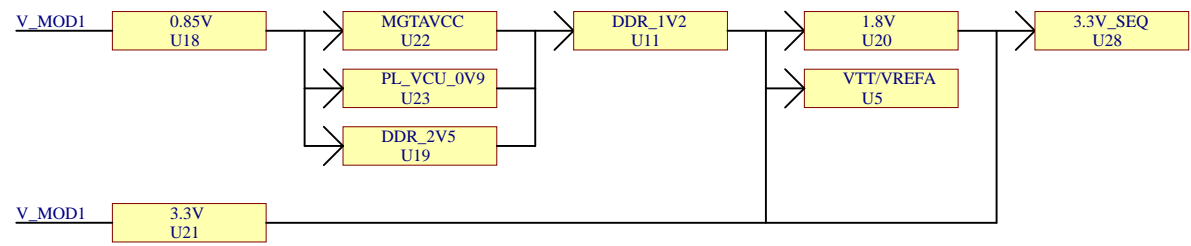


Title: AM0010 – MISC		
A4	Number: MISC 4AE21MA	Rev. 01
Date: 29.10.2021	Copyright: Trenz Electronic GmbH	Page 27 of 30
Filename: MISC.SchDoc		

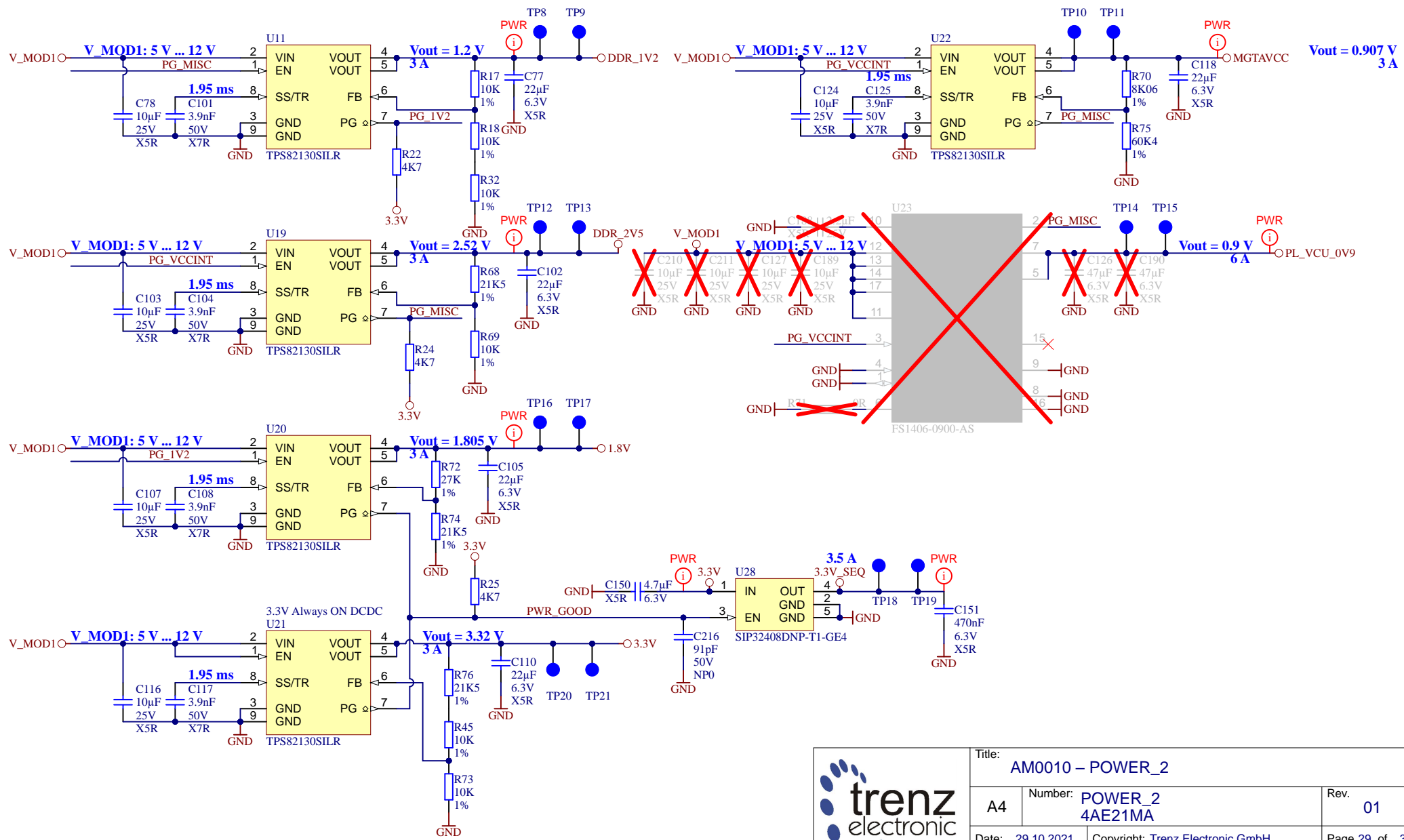
Power Supply Structure



Power Supply Sequencing



Title: AM0010 – POWER_1		
A4	Number: POWER_1 4AE21MA	Rev. 01
Date: 29.10.2021	Copyright: Trenz Electronic GmbH	Page 28 of 30
Filename: POWER_1.SchDoc		



Title: AM0010 – POWER_2		
A4	Number: POWER_2 4AE21MA	Rev. 01
Date: 29.10.2021	Copyright: Trenz Electronic GmbH	Page 29 of 30
Filename: POWER_2.SchDoc		

1

2

3

4

REV	Description	
-01	Initial revision	AL/ED

A

A

B


B

C

C

D

D

			Title: AM0010 – Revision_Changes					
			A4	Number: Revision_Changes 4AE21MA		Rev. 01		
			Date: 29.10.2021		Copyright: Trenz Electronic GmbH		Page 30 of 30	
			Filename: Revision_Changes.SchDoc					

1

2

3

4