

Regarding the usage of our schematics and alike documentation for Trenz module AM0010.

Project is protected under copyright and we strongly and strictly prohibit the reverse engineering or recreation, even if the design is just adapted or modified. AM0010 is protected under such right and in case of plagiarism we will have to do anything necessary in order to protect our assets.

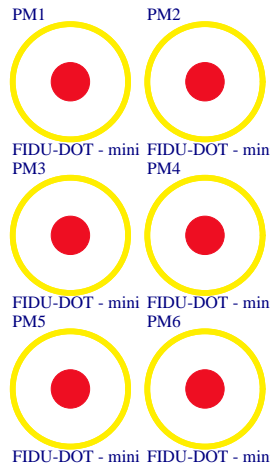
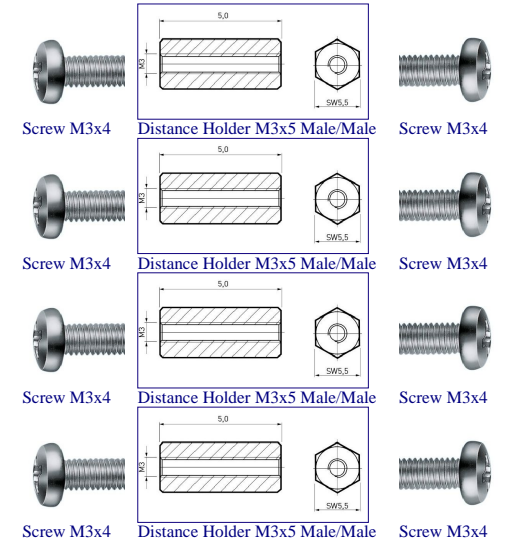
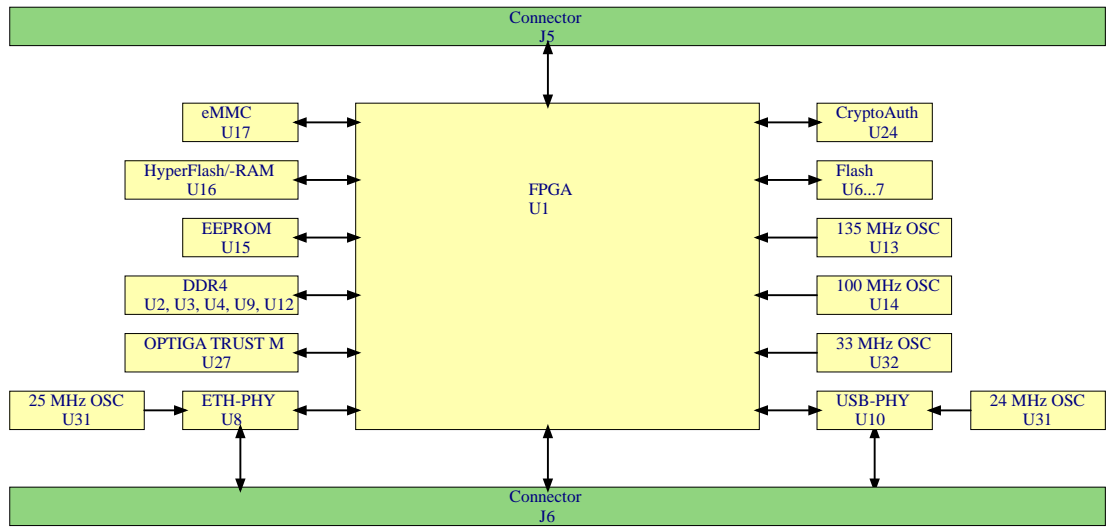
Schematics and other handouts serve for informational purposes only!

	Title: AM0010 – Legal Notices Modules		
	A4	Number: Legal Notices Modules 4BE21MA	Rev. 01
	Date: 04.10.2021	Copyright: Trenz Electronic GmbH	Page 1 of 30
	Filename: Legal Notices Modules.SchDoc		

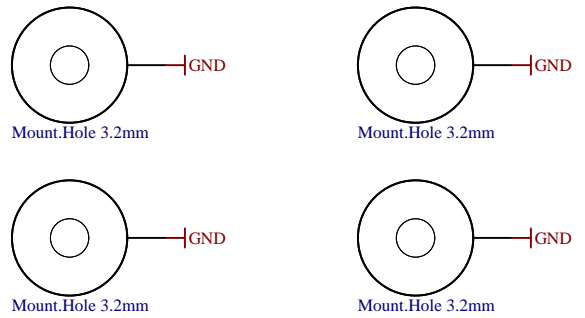
U_B2B_Connector_1
B2B_Connector_1.SchDoc
U_B2B_Connector_2
B2B_Connector_2.SchDoc
U_MPSoC
MPSoC.SchDoc
U_DDR4-RAM
DDR4-RAM.SchDoc
U_DDR4-RAM_2
DDR4-RAM_2.SchDoc
U_DDR4-RAM_3
DDR4-RAM_3.SchDoc
U_DDR4-RAM_4
DDR4-RAM_4.SchDoc
U_DDR4-RAM_5
DDR4-RAM_5.SchDoc
U_DDR4-CAPS
DDR4-CAPS.SchDoc
U_DDR4-TERM
DDR4-TERM.SchDoc
U_ETHPHY
ETHPHY.SchDoc
U_USBPHY
USBPHY.SchDoc
U_eMMC
eMMC.SchDoc
U_MISC
MISC.SchDoc

U_POWER_1
POWER_1.SchDoc
U_POWER_2
POWER_2.SchDoc
U_REV_CH
Revision_Changes.SchDoc
U_Legal_Notices_Modules
Legal_Notices_Modules.SchDoc

Special notes:



Serial
Serialnumber 6,3 x 6.3mm



Title: AM0010		
A4	Number: AM0010 4BE21MA	Rev. 01
Date: 04.10.2021	Copyright: Trenz Electronic GmbH	Page 2 of 30
Filename: AM0010.SchDoc		

Assembly variant	4BE21MA
Created by	ED
Modified by	ED
Modified at	16.11.21
SVN Revision	457

1

2

3

4

A

A

B

B

C

C

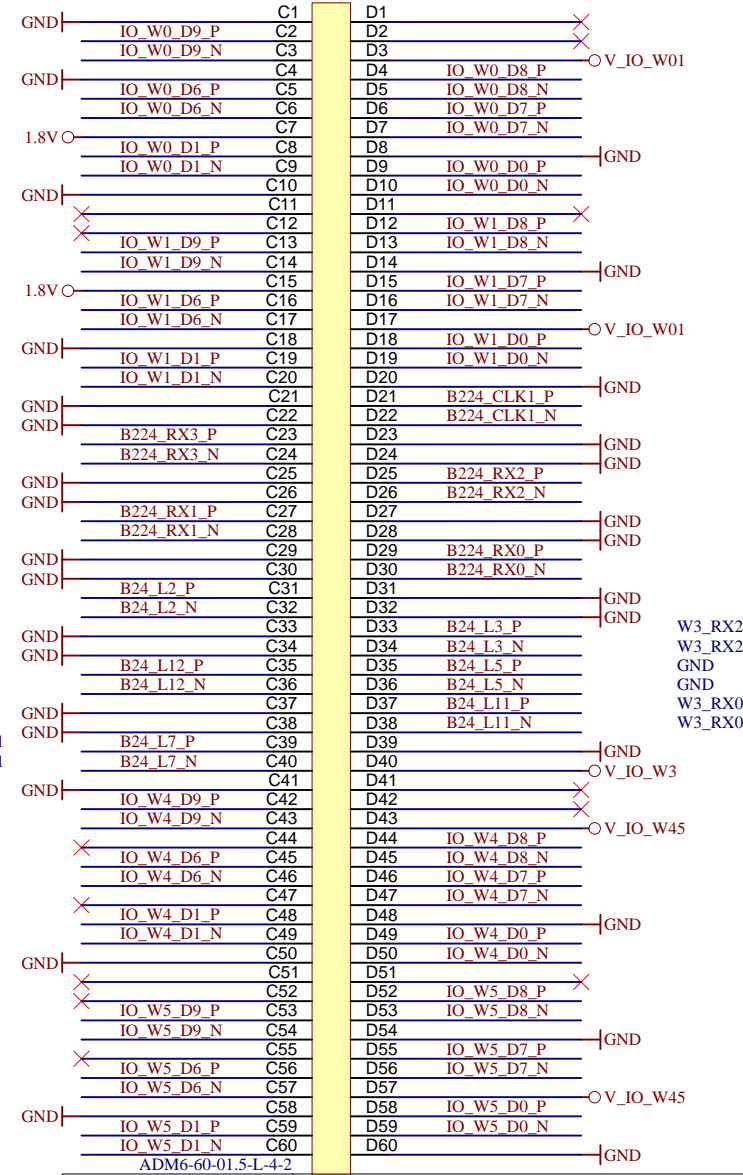
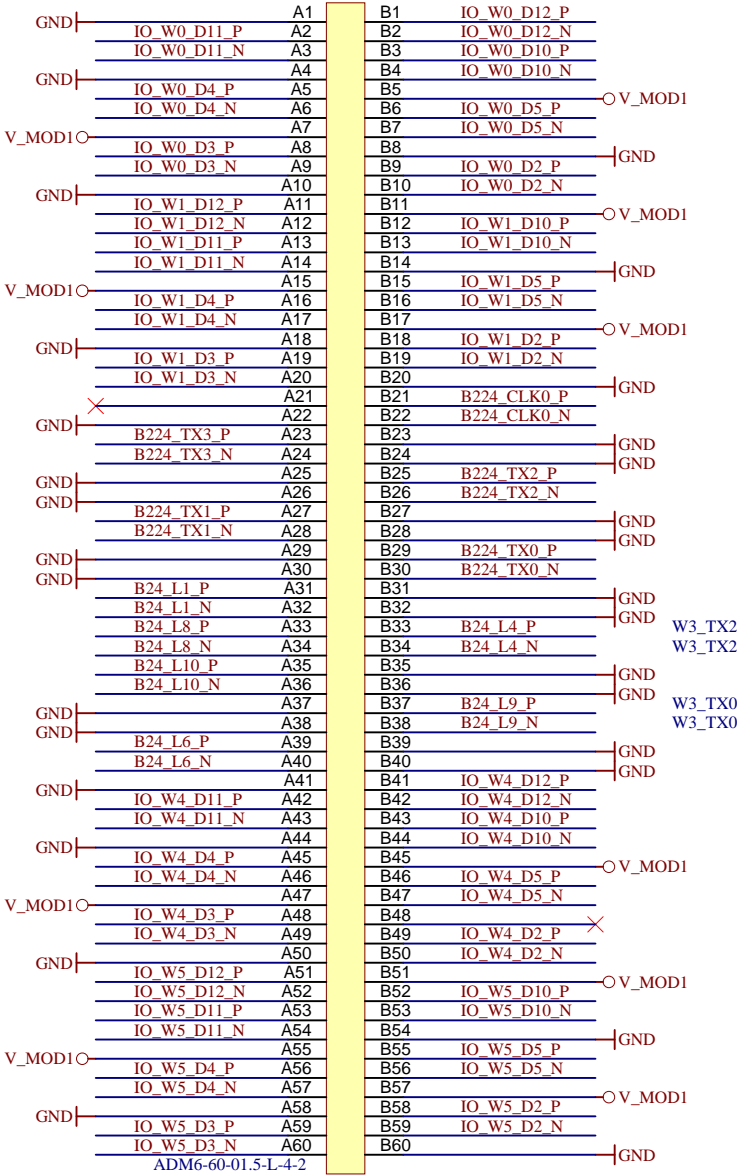
D

D

Connector W

J5A

J5B



ADM6-60-01.5-L-4-2

ADM6-60-01.5-L-4-2



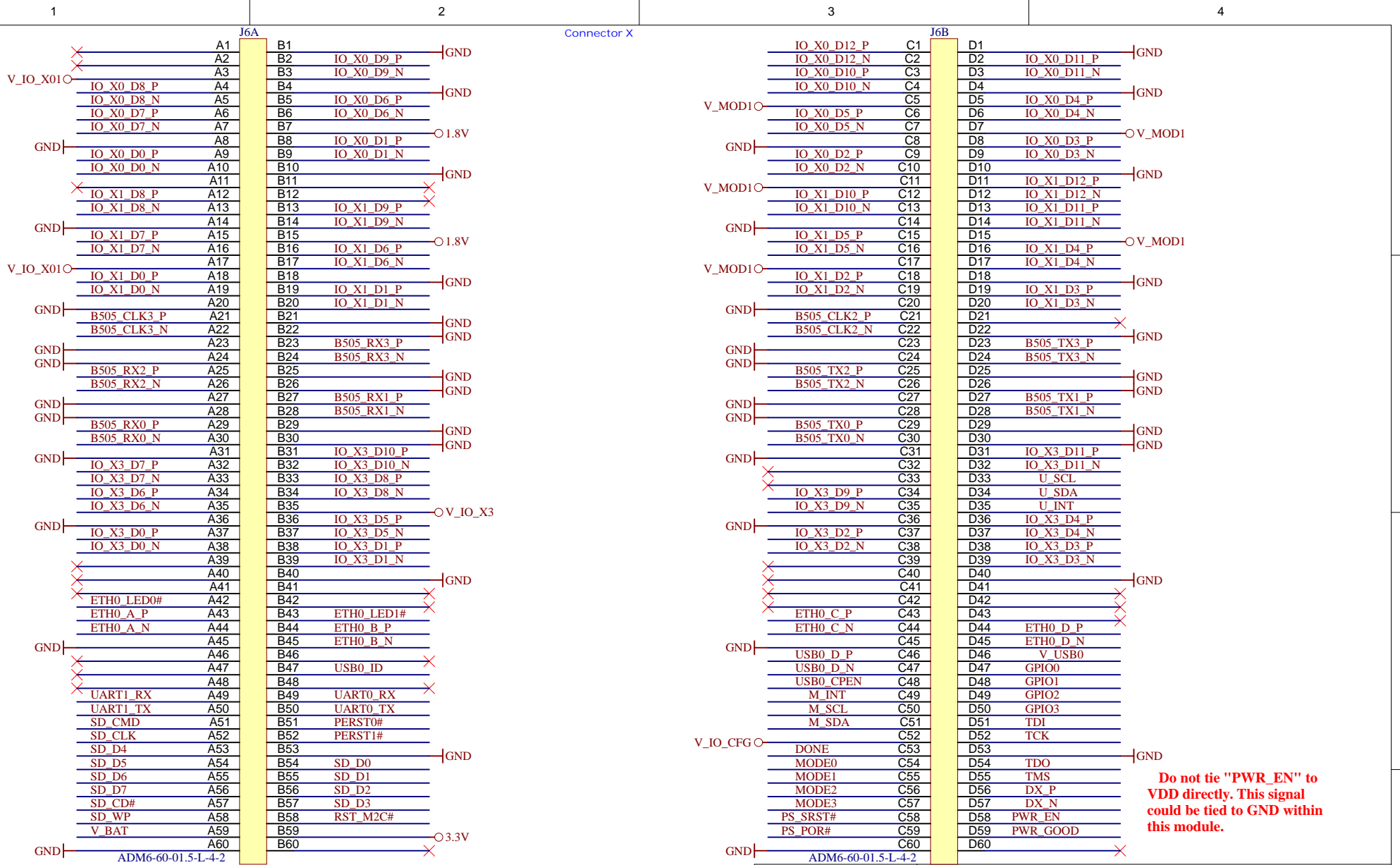
Title: AM0010 – B2B_Connector_1		
A4	Number: B2B_Connector_1 4BE21MA	Rev. 01
Date: 04.10.2021	Copyright: Trenz Electronic GmbH	Page 3 of 30
Filename: B2B_Connector_1.SchDoc		

1

2

3

4



Do not tie "PWR_EN" to VDD directly. This signal could be tied to GND within this module.



Title: AM0010 – B2B_Connector_2		
A4	Number: B2B_Connector_2 4BE21MA	Rev. 01
Date: 04.10.2021	Copyright: Trenz Electronic GmbH	Page 4 of 30
Filename: B2B_Connector_2.SchDoc		

1












2

3

4

A

A

- U_B64
B64.SchDoc

- U_B65
B65.SchDoc

- U_B66
B66.SchDoc

- U_B_HD
B_HD.SchDoc

- U_B_MIO
B_MIO.SchDoc

- U_PS_DDR
PS_DDR.SchDoc

- U_B_PS_GT
B_PS_GT.SchDoc

- U_B_GT
B_GT.SchDoc

- U_CONFIG
CONFIG.SchDoc

- U_ZU_POWER
ZU_POWER.SchDoc

- U_ZU_PS_POWER
ZU_PS_POWER.SchDoc


B


B

C

C

D

D

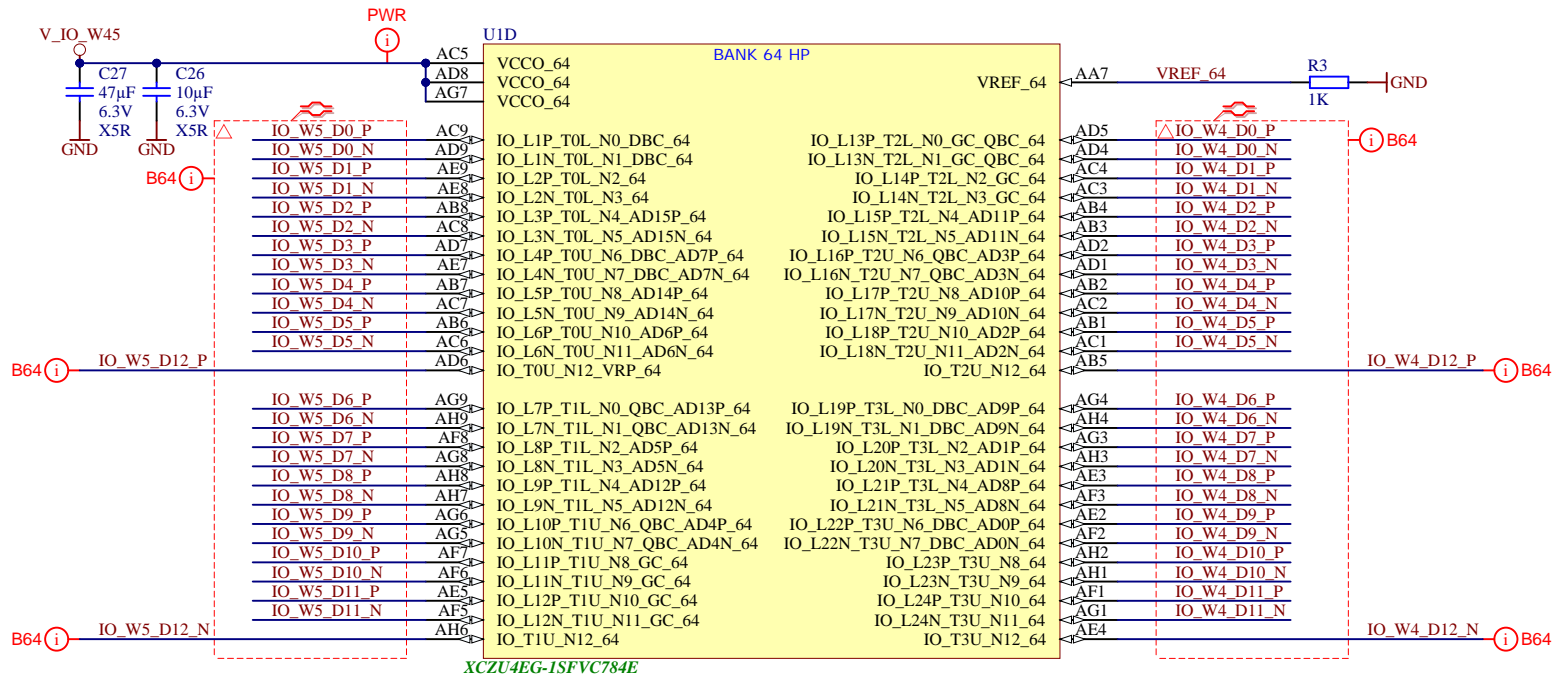
	Title: AM0010 – MPSoC		
	A4	Number: MPSoC 4BE21MA	Rev. 01
	Date: 04.10.2021	Copyright: Trenz Electronic GmbH	Page 5 of 30
	Filename: MPSoC.SchDoc		

1

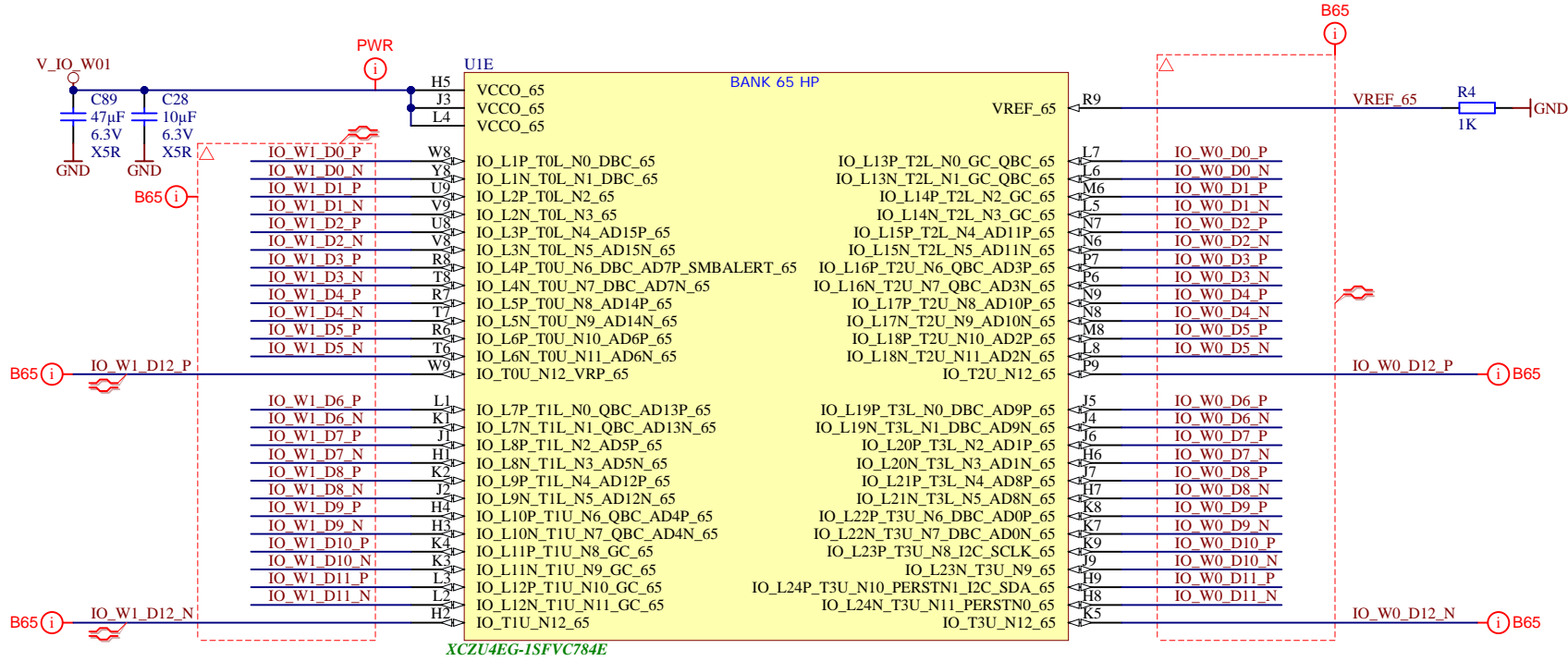
2

3

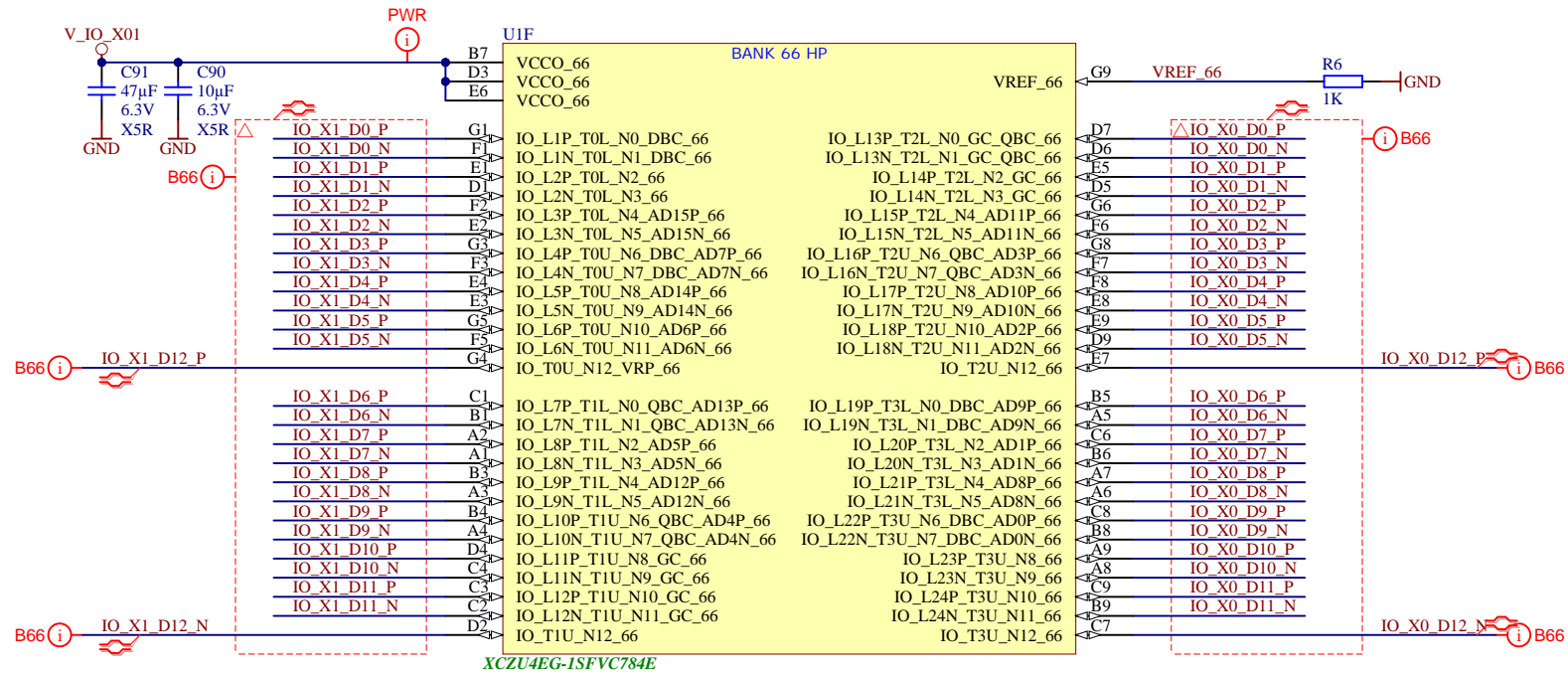
4




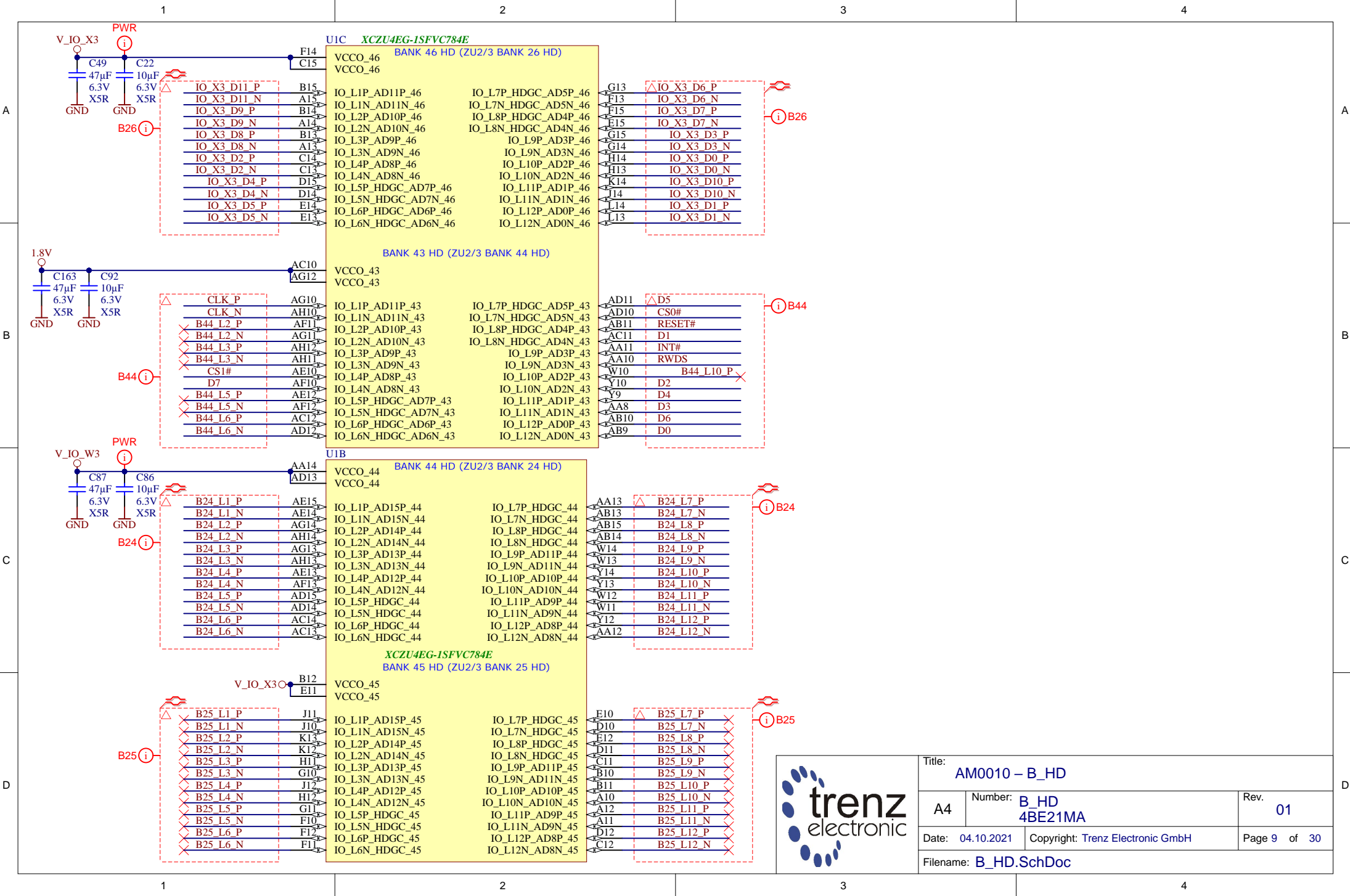
Title: AM0010 – B64		
A4	Number: B64 4BE21MA	Rev. 01
Date: 04.10.2021	Copyright: Trenz Electronic GmbH	Page 6 of 30
Filename: B64.SchDoc		



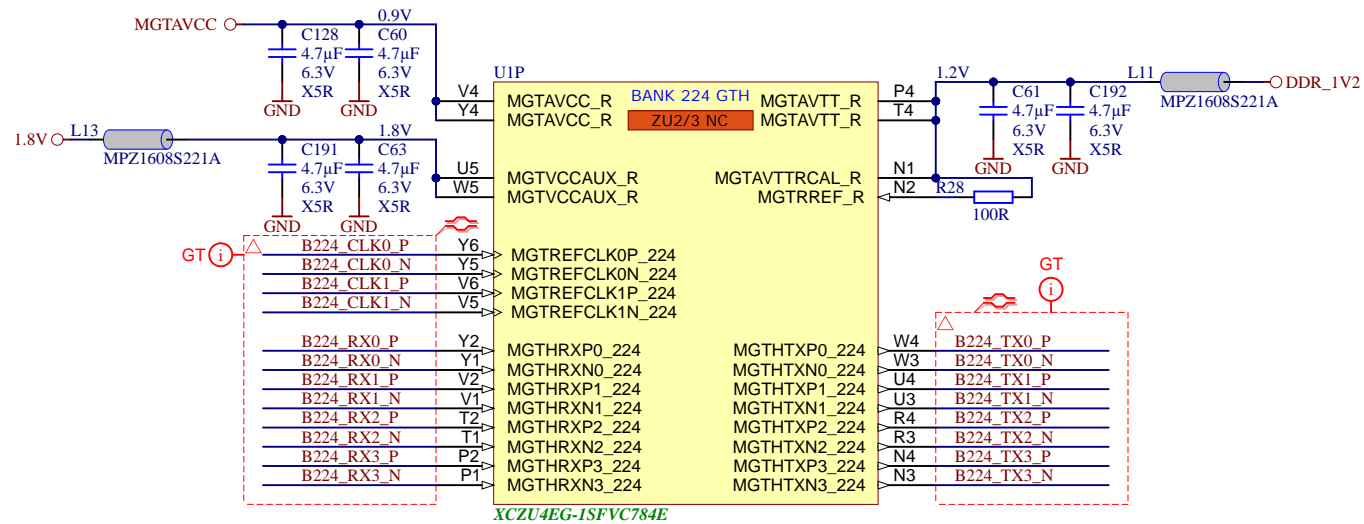
Title: AM0010 – B65		
A4	Number: B65 4BE21MA	Rev. 01
Date: 04.10.2021	Copyright: Trenz Electronic GmbH	Page 7 of 30
Filename: B65.SchDoc		




		Title: AM0010 – B66	
		A4	Number: B66 4BE21MA
Date: 04.10.2021		Copyright: Trenz Electronic GmbH	
Filename: B66.SchDoc		Page 8 of 30	

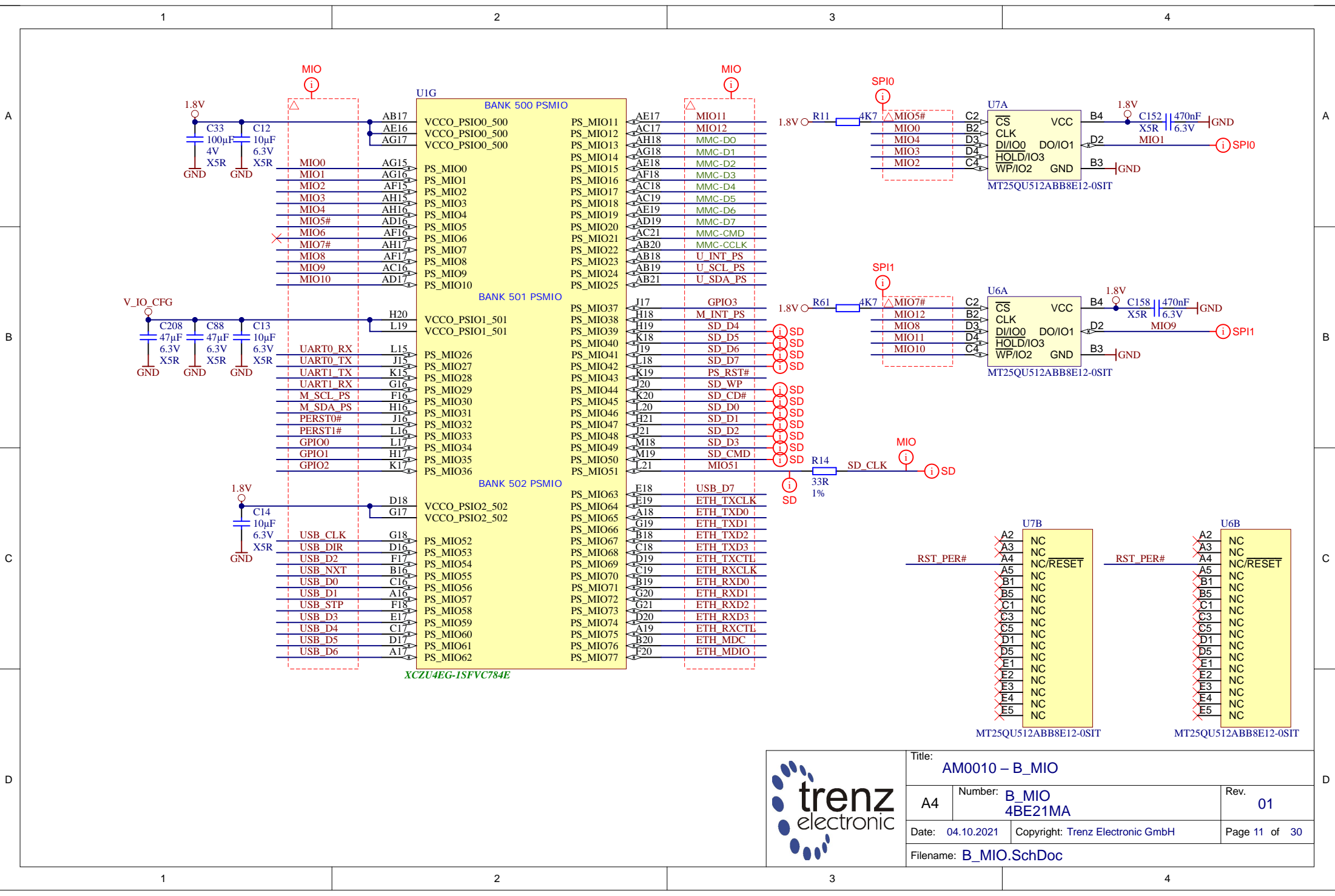


Title: AM0010 - B_HD		
A4	Number: B_HD 4BE21MA	Rev. 01
Date: 04.10.2021	Copyright: Trenz Electronic GmbH	Page 9 of 30
Filename: B_HD.SchDoc		

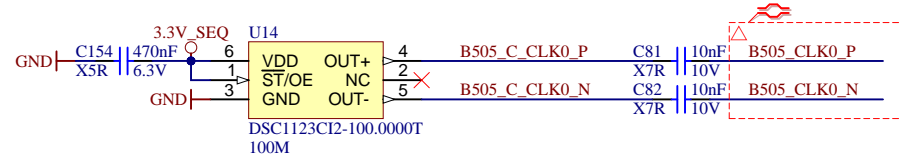
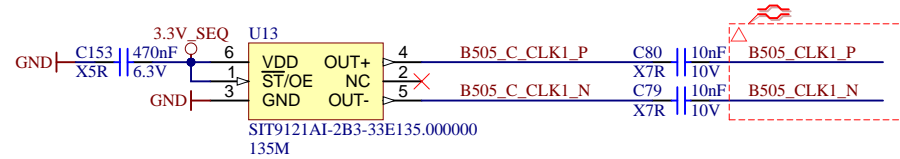
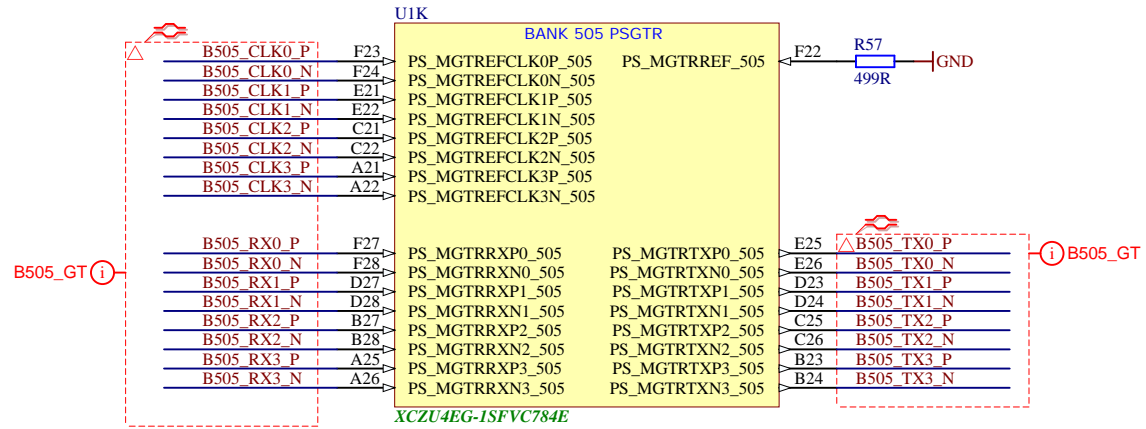


XCZU4EG-1SFVC784E

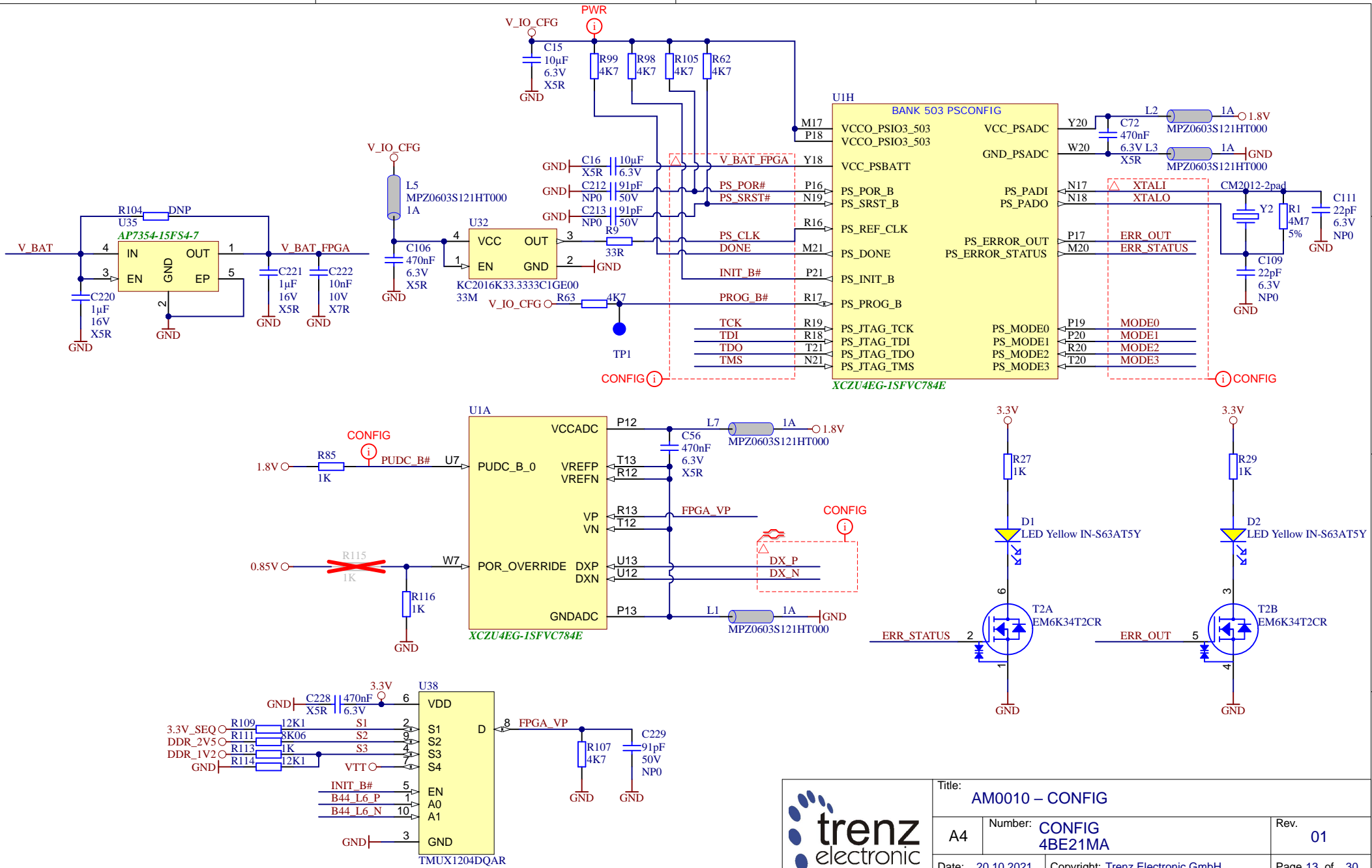
		Title: AM0010 - B_GT	
		A4	Number: B_GT 4BE21MA
Date: 04.10.2021		Copyright: Trenz Electronic GmbH	Rev. 01
Filename: B_GT.SchDoc		Page 10 of 30	



	Title: AM0010 - B_MIO	
	A4	Number: B_MIO 4BE21MA
	Date: 04.10.2021	Copyright: Trenz Electronic GmbH
	Filename: B_MIO.SchDoc	
	Rev. 01	Page 11 of 30



	Title: AM0010 - B_PS_GT		
	A4	Number: B_PS_GT 4BE21MA	Rev. 01
	Date: 04.10.2021	Copyright: Trenz Electronic GmbH	Page 12 of 30
	Filename: B_PS_GT.SchDoc		



Title: AM0010 - CONFIG		
A4	Number: CONFIG 4BE21MA	Rev. 01
Date: 20.10.2021	Copyright: Trenz Electronic GmbH	Page 13 of 30
Filename: CONFIG.SchDoc		

A

B

C

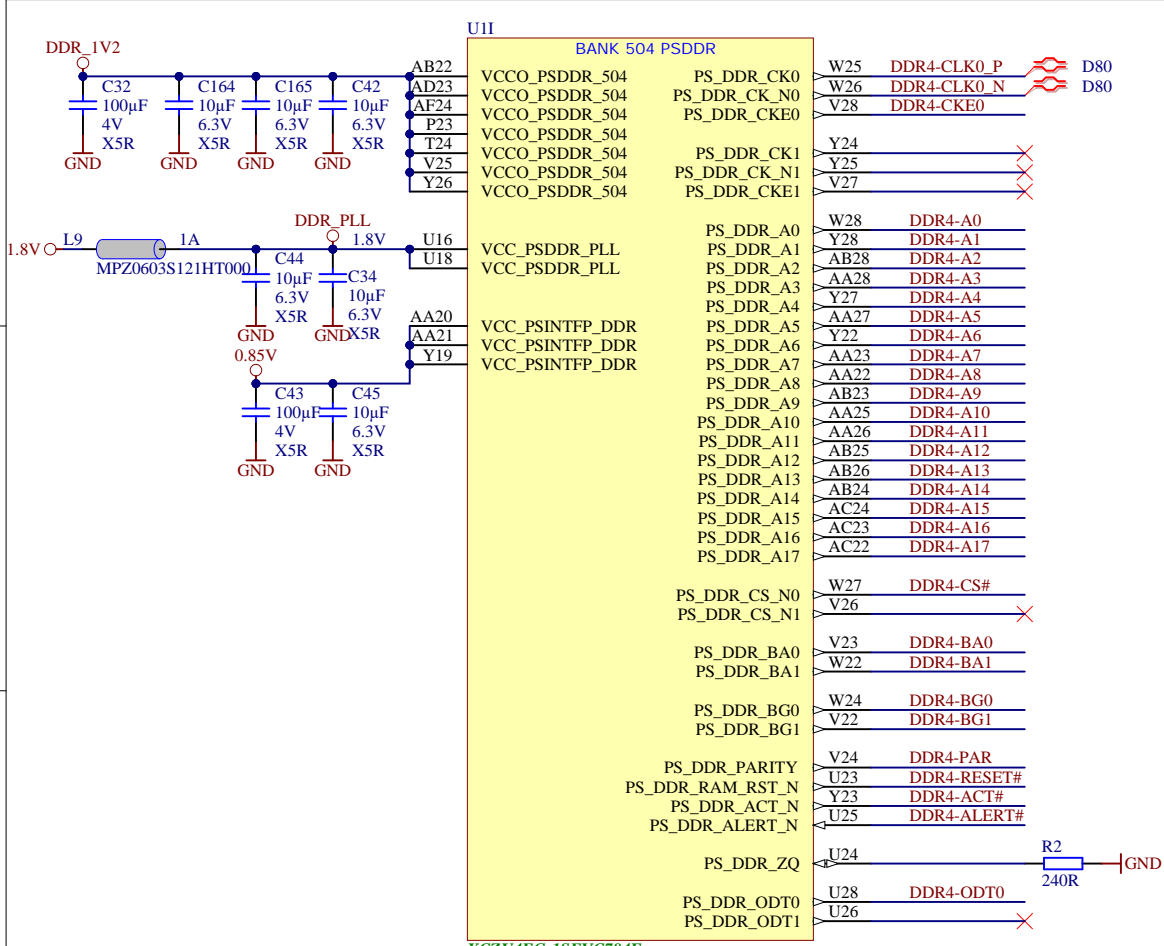
D

A

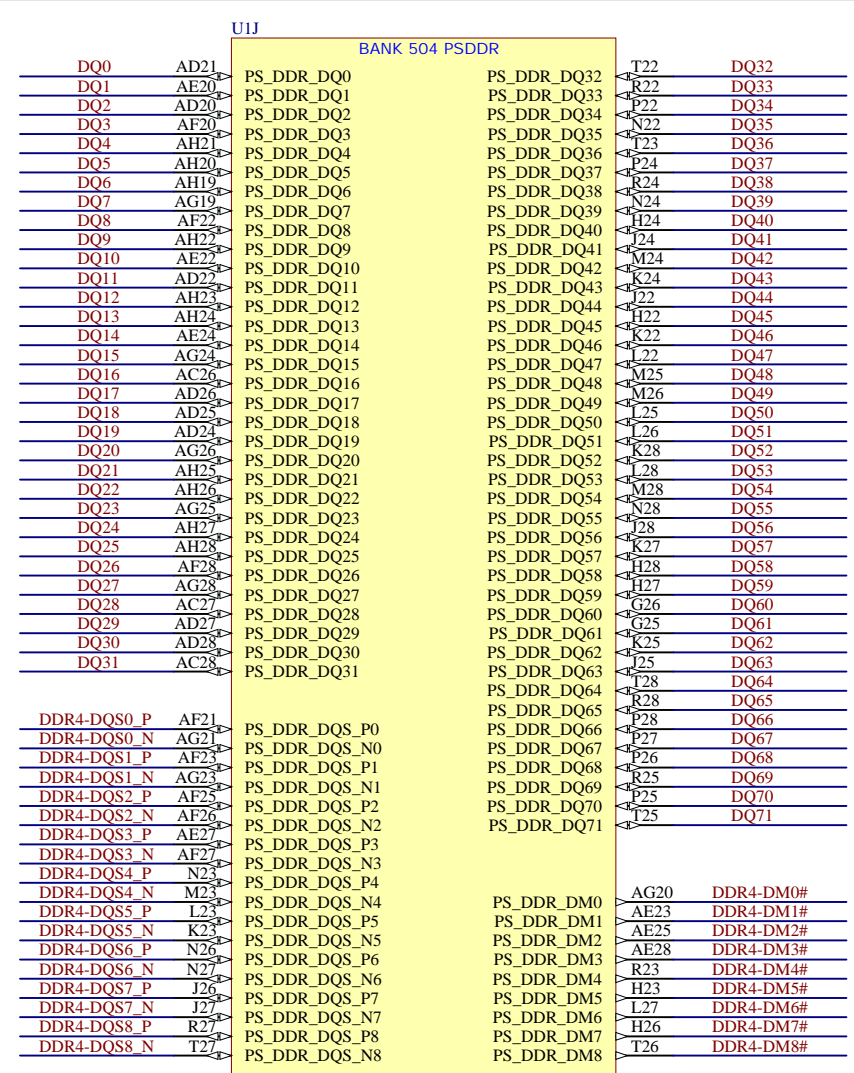
B

C

D



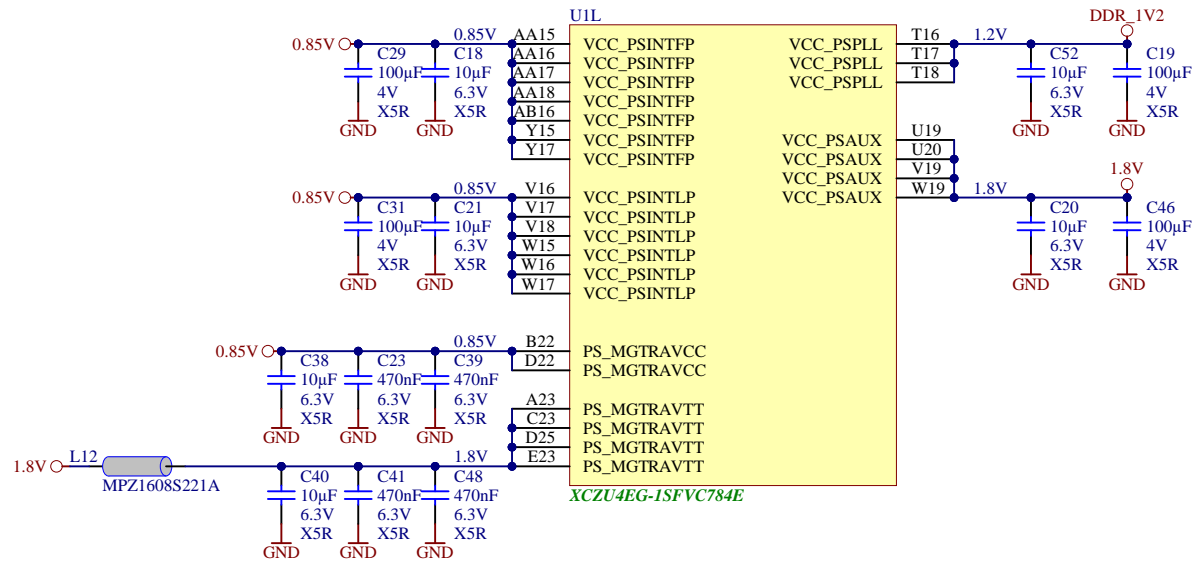
XCZU4EG-1SFVC784E




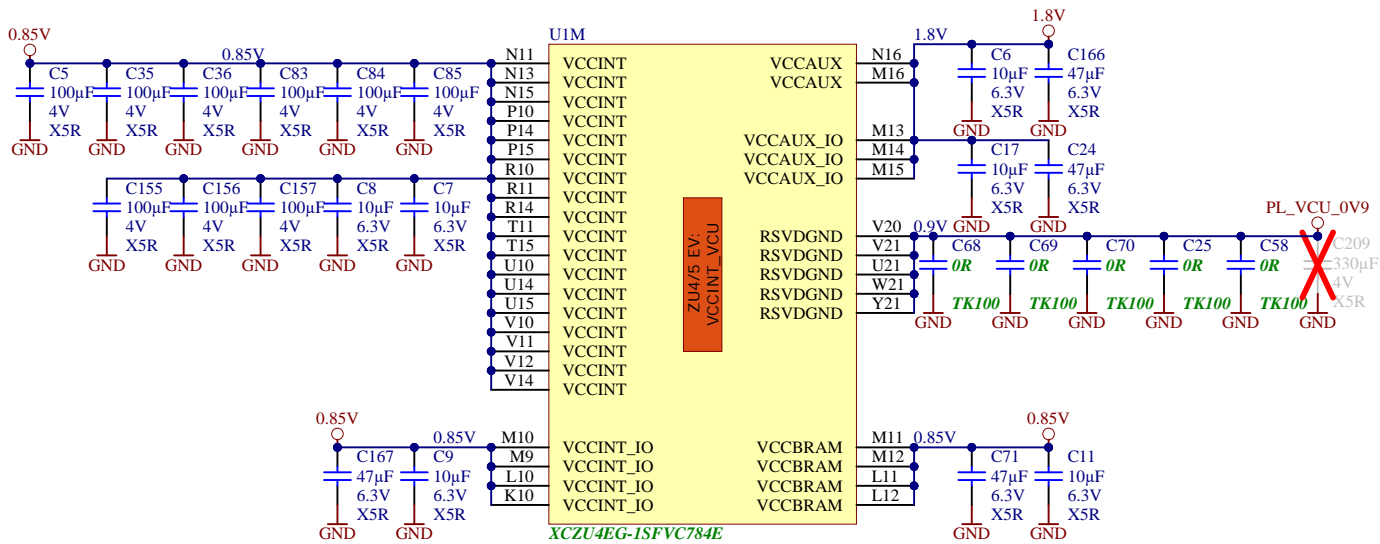
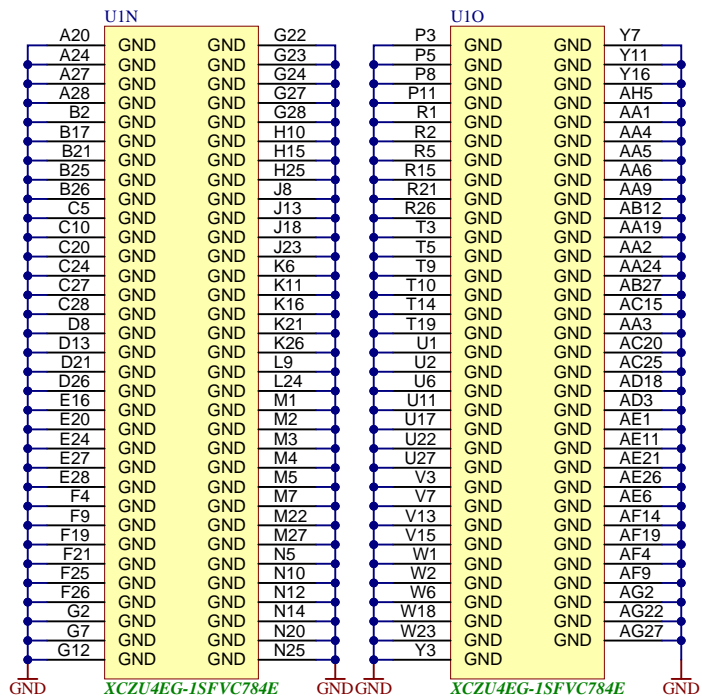
XCZU4EG-1SFVC784E



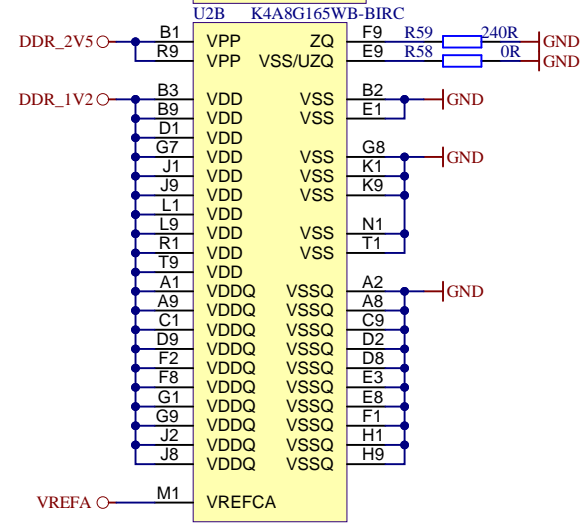
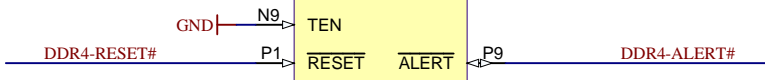
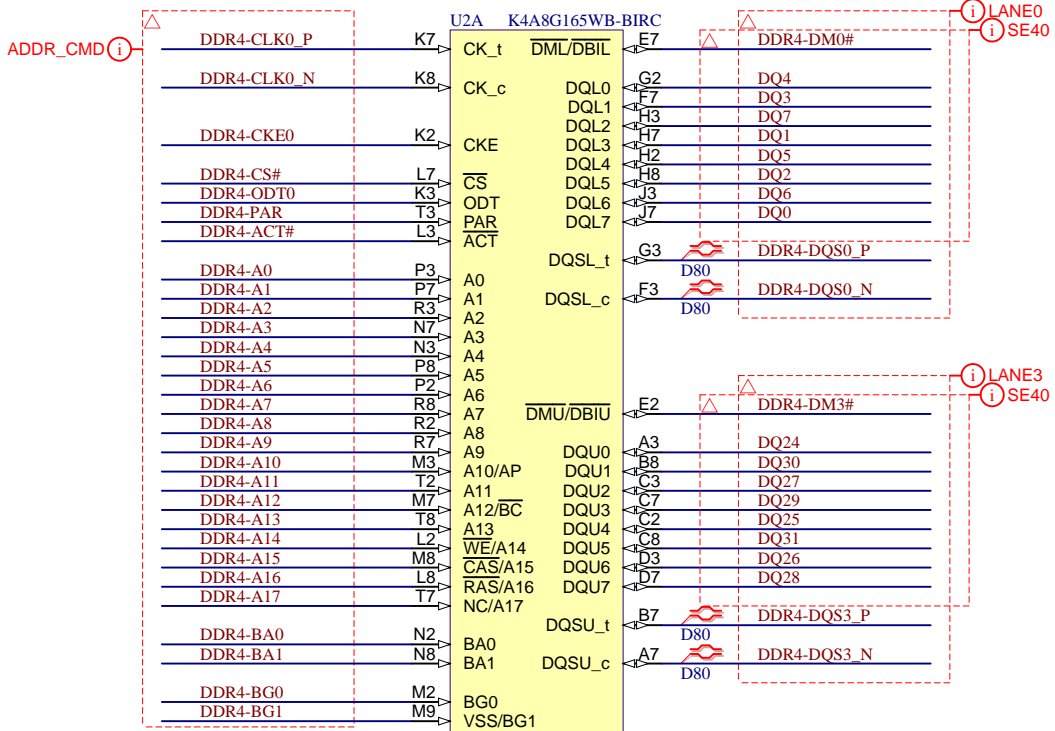
Title: AM0010 – PS_DDR		
A4	Number: PS_DDR 4BE21MA	Rev. 01
Date: 04.10.2021	Copyright: Trenz Electronic GmbH	Page 14 of 30
Filename: PS_DDR.SchDoc		



	Title: AM0010 – ZU_PS_POWER		
	A4	Number: ZU_PS_POWER 4BE21MA	Rev. 01
	Date: 04.10.2021	Copyright: Trenz Electronic GmbH	Page 15 of 30
	Filename: ZU_PS_POWER.SchDoc		



				Title: AM0010 – ZU_POWER			
				A4	Number: ZU_POWER 4BE21MA		
Date: 04.10.2021		Copyright: Trenz Electronic GmbH			Page 16 of 30		
Filename: ZU_POWER.SchDoc							



Title: AM0010 – DDR4-RAM		
A4	Number: DDR4-RAM 4BE21MA	Rev. 01
Date: 04.10.2021	Copyright: Trenz Electronic GmbH	Page 17 of 30
Filename: DDR4-RAM.SchDoc		

A

A

B

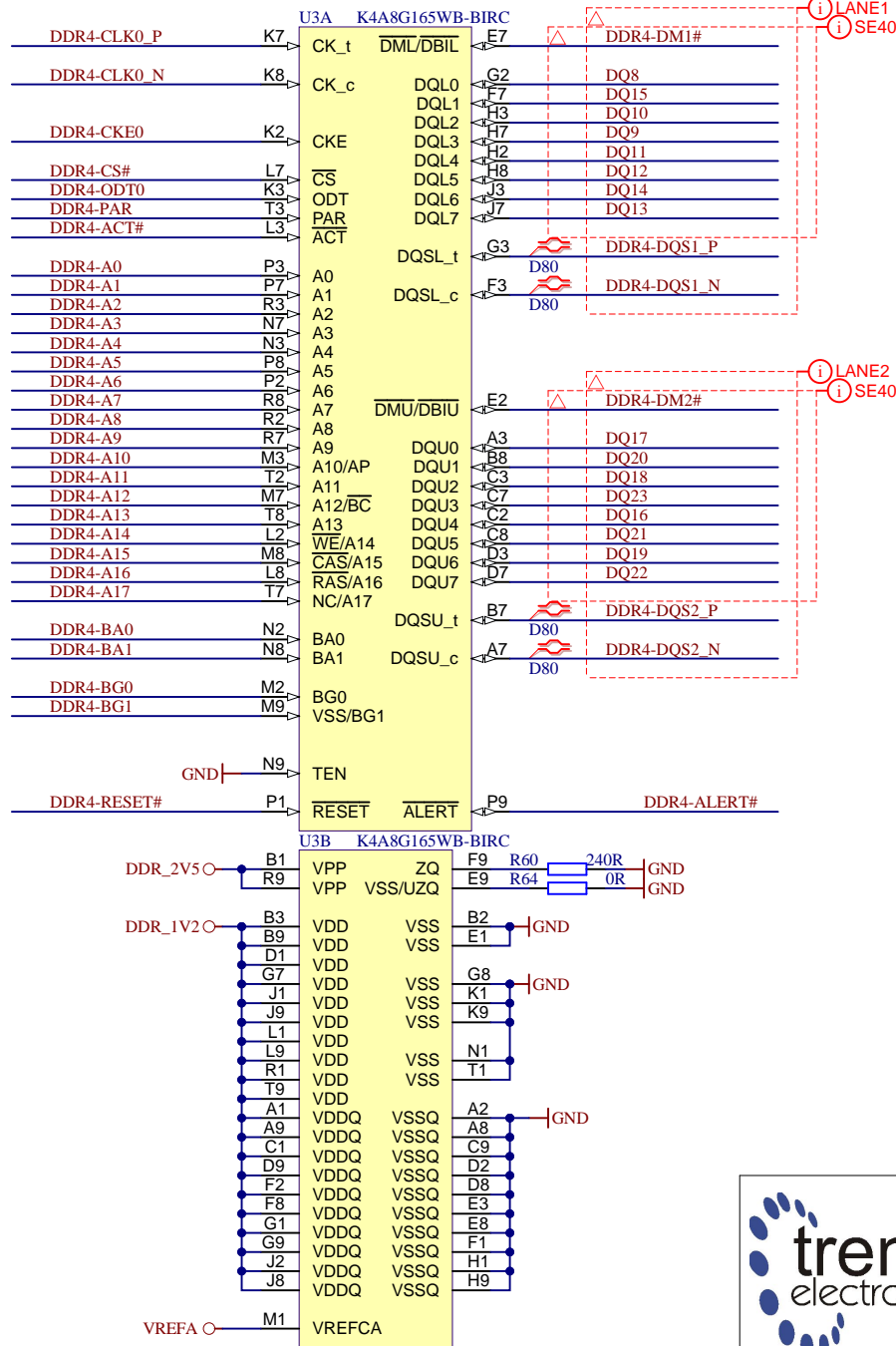

B

C

C

D

D

Title: AM0010 – DDR4-RAM_2		
A4	Number: DDR4-RAM_2 4BE21MA	Rev. 01
Date: 04.10.2021	Copyright: Trenz Electronic GmbH	Page 18 of 30
Filename: DDR4-RAM_2.SchDoc		

A

A

B

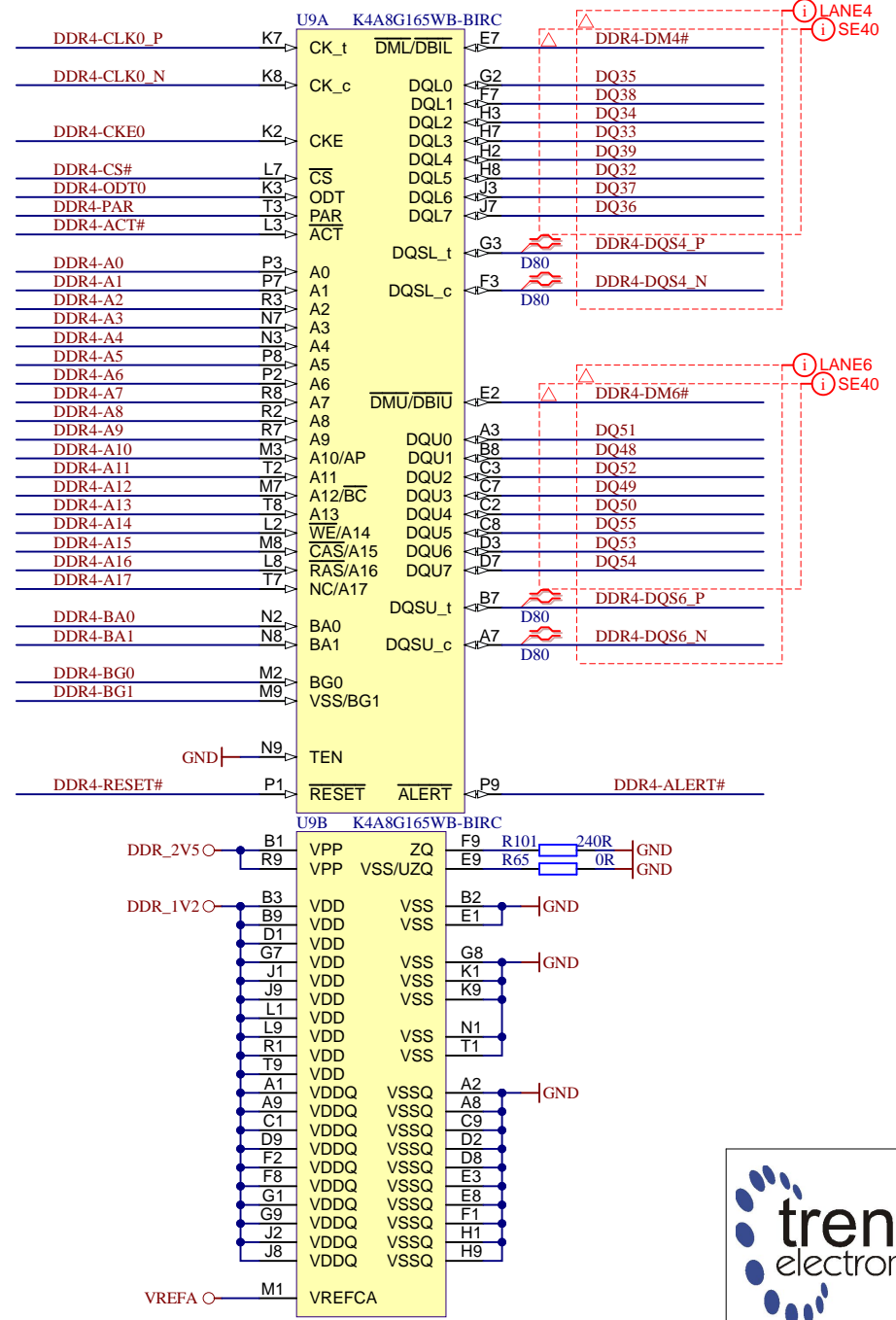
B

C

C

D

D



Title: AM0010 – DDR4-RAM_3		
A4	Number: DDR4-RAM_3 4BE21MA	Rev. 01
Date: 04.10.2021	Copyright: Trenz Electronic GmbH	Page 19 of 30
Filename: DDR4-RAM_3.SchDoc		

A

A

B

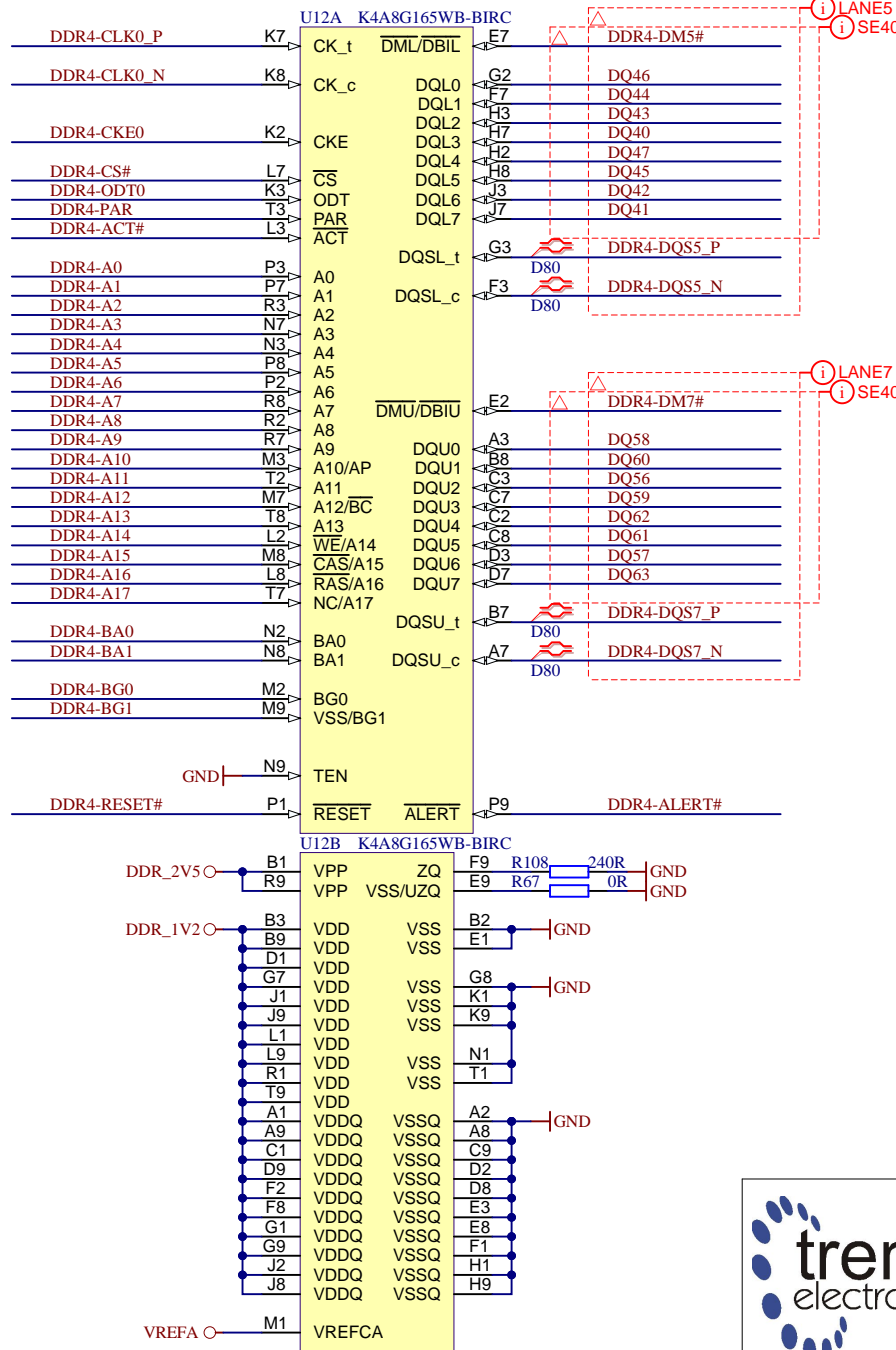

B

C

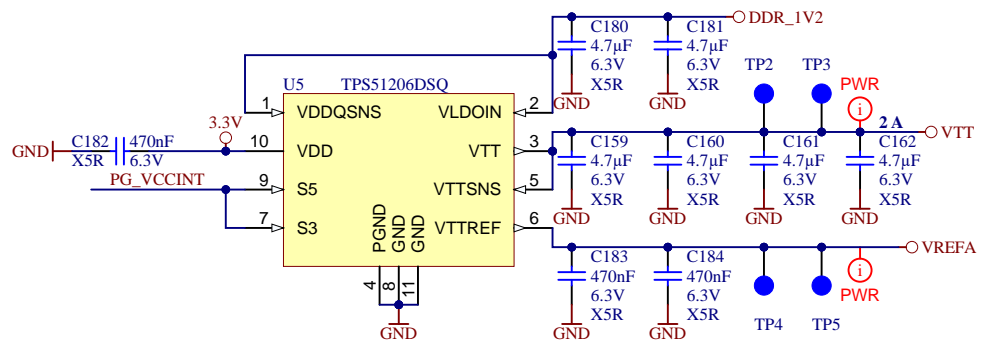
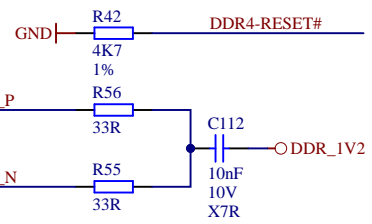
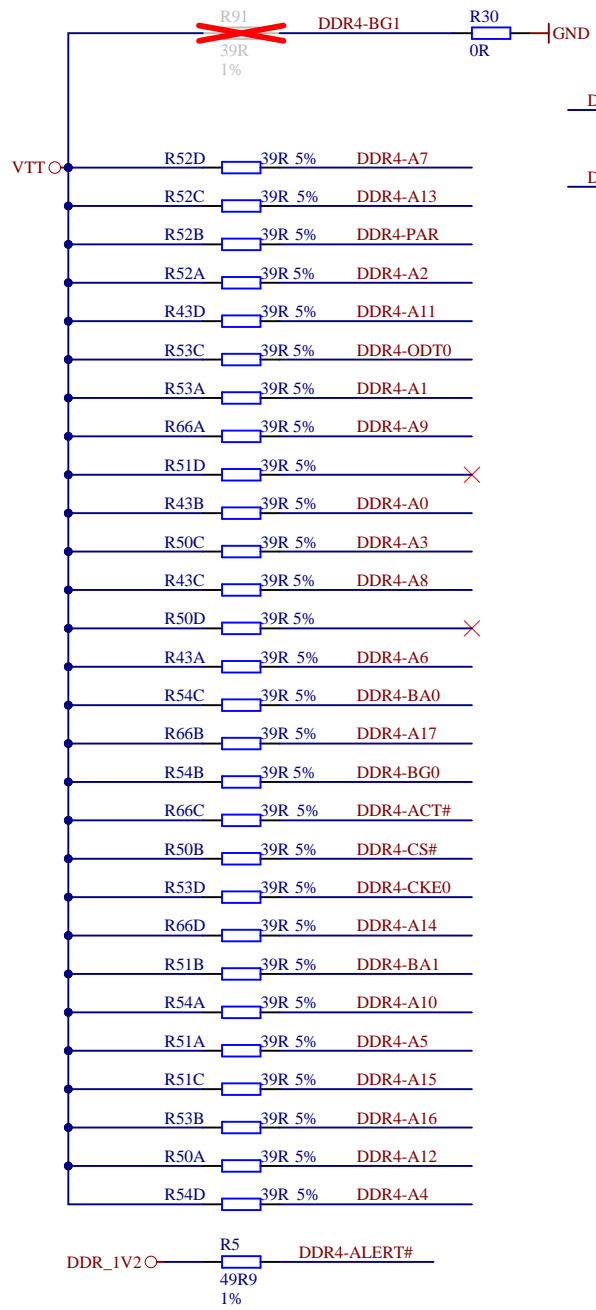
C

D

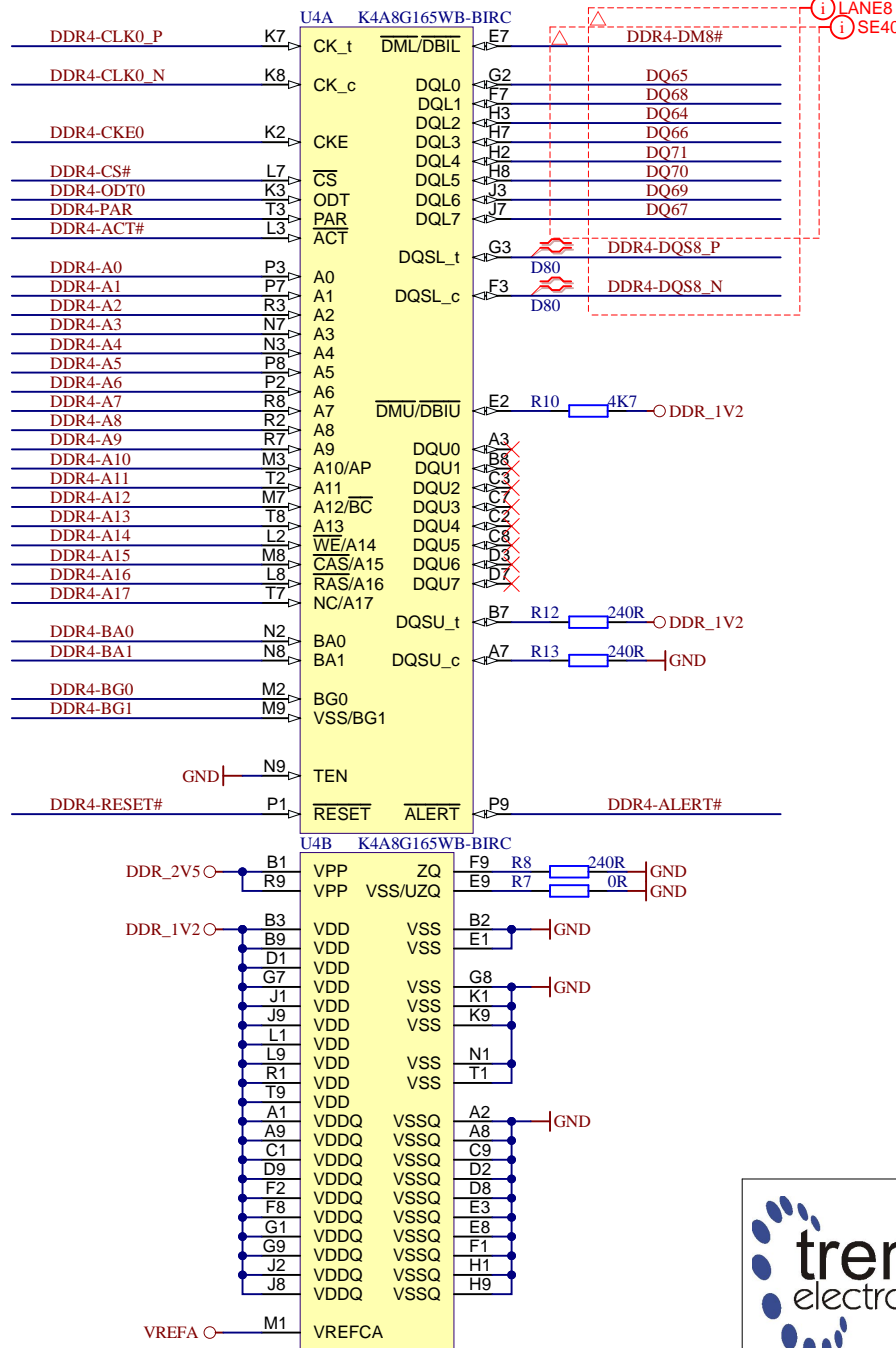
D

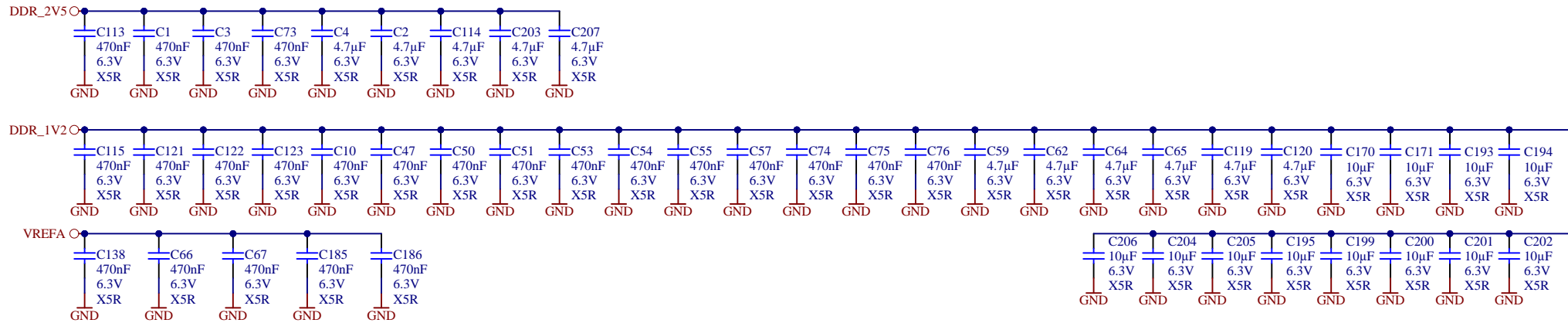
Title: AM0010 – DDR4-RAM_4		
A4	Number: DDR4-RAM_4 4BE21MA	Rev. 01
Date: 04.10.2021	Copyright: Trenz Electronic GmbH	Page 20 of 30
Filename: DDR4-RAM_4.SchDoc		




Title: AM0010 – DDR4-TERM		
A4	Number: DDR4-TERM 4BE21MA	Rev. 01
Date: 04.10.2021	Copyright: Trenz Electronic GmbH	Page 21 of 30
Filename: DDR4-TERM.SchDoc		

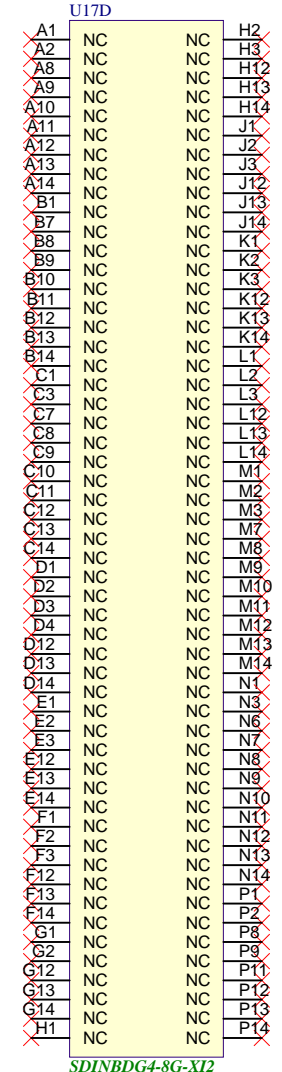
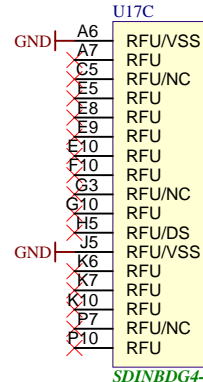
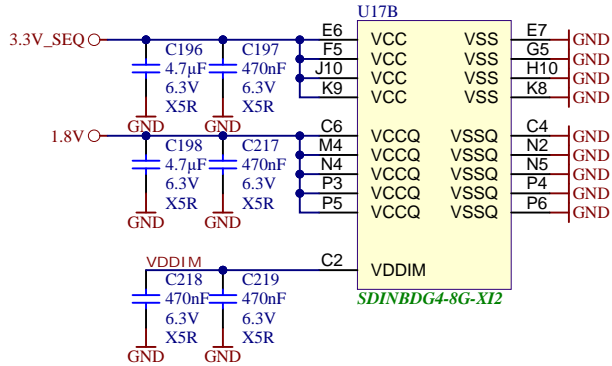
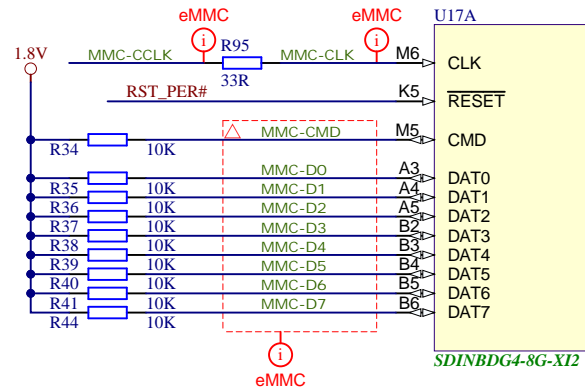


Title: AM0010 – DDR4-RAM_5		
A4	Number: DDR4-RAM_5 4BE21MA	Rev. 01
Date: 04.10.2021	Copyright: Trenz Electronic GmbH	Page 22 of 30
Filename: DDR4-RAM_5.SchDoc		



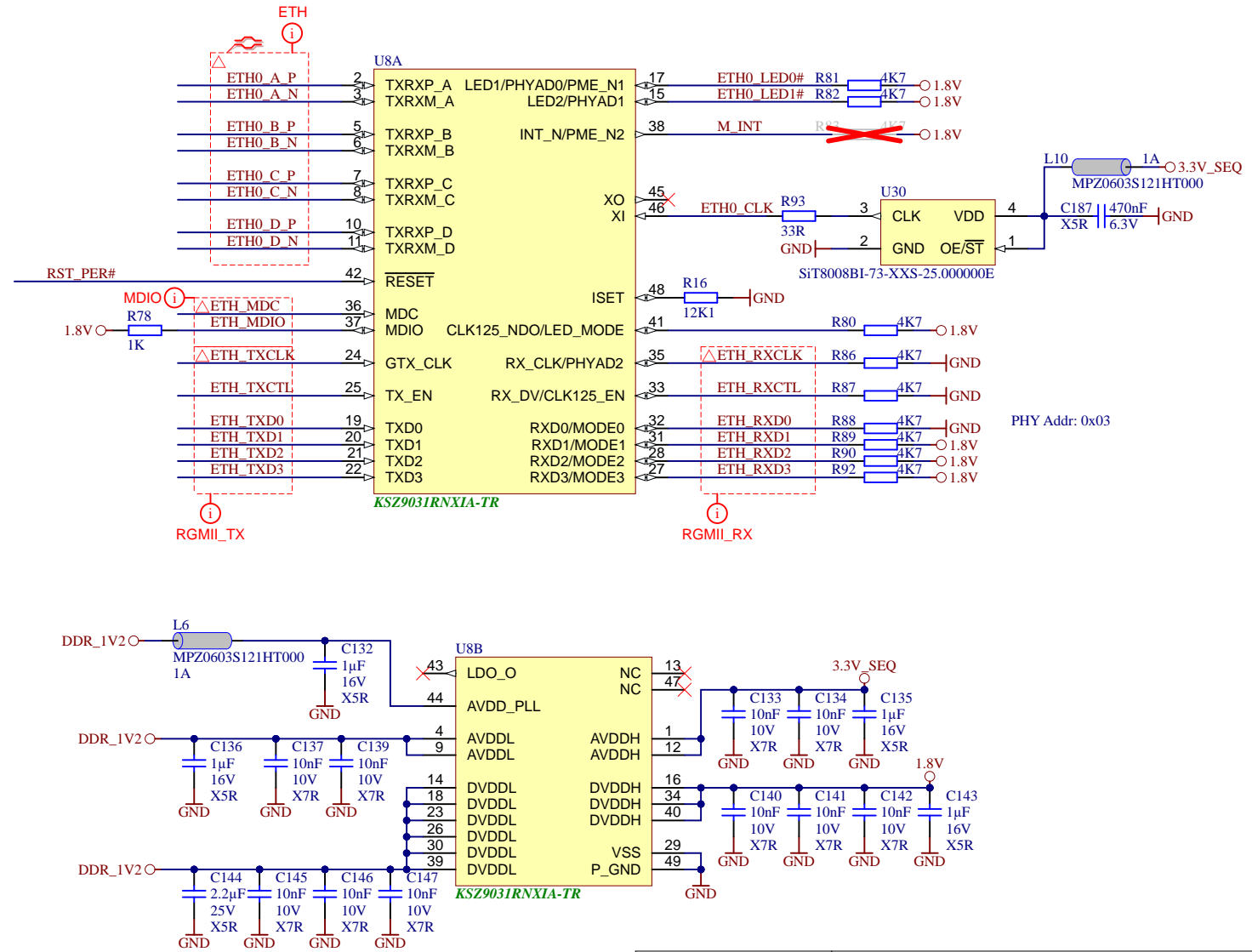
		Title: AM0010 – DDR4-CAPS	
		A4	Number: DDR4-CAPS 4BE21MA
Date: 04.10.2021		Copyright: Trenz Electronic GmbH	
Filename: DDR4-CAPS.SchDoc		Page 23 of 30	


8GB eMMC

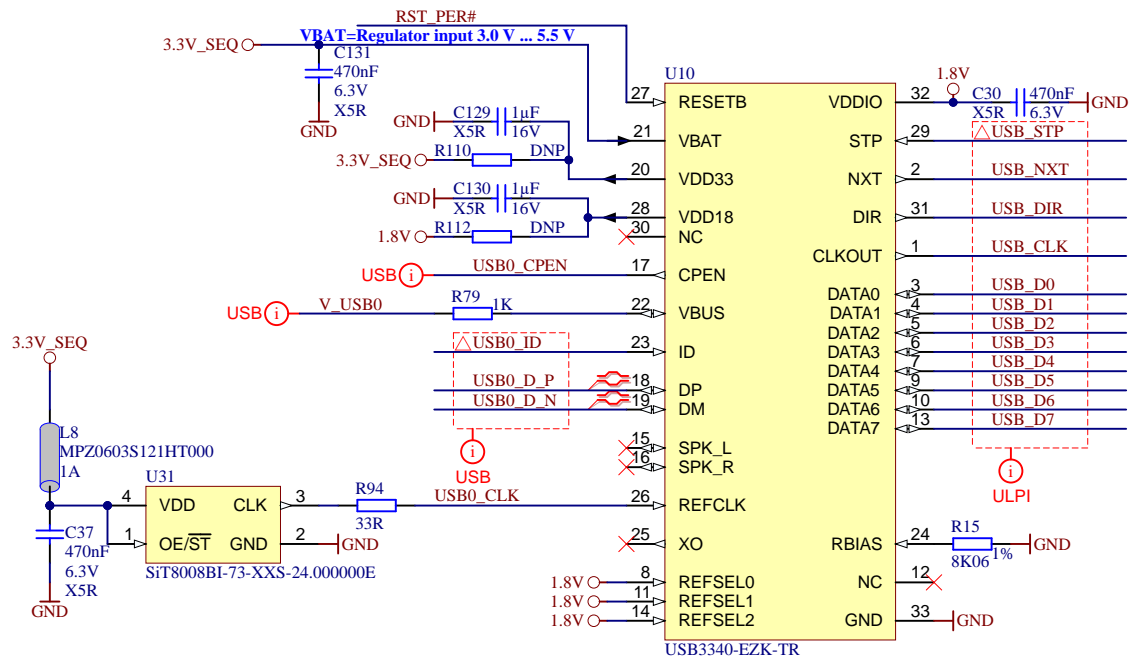


Title: **AM0010 – eMMC**

A4	Number: eMMC 4BE21MA	Rev. 01
Date: 04.10.2021	Copyright: Trenz Electronic GmbH	
Filename: eMMC.SchDoc		

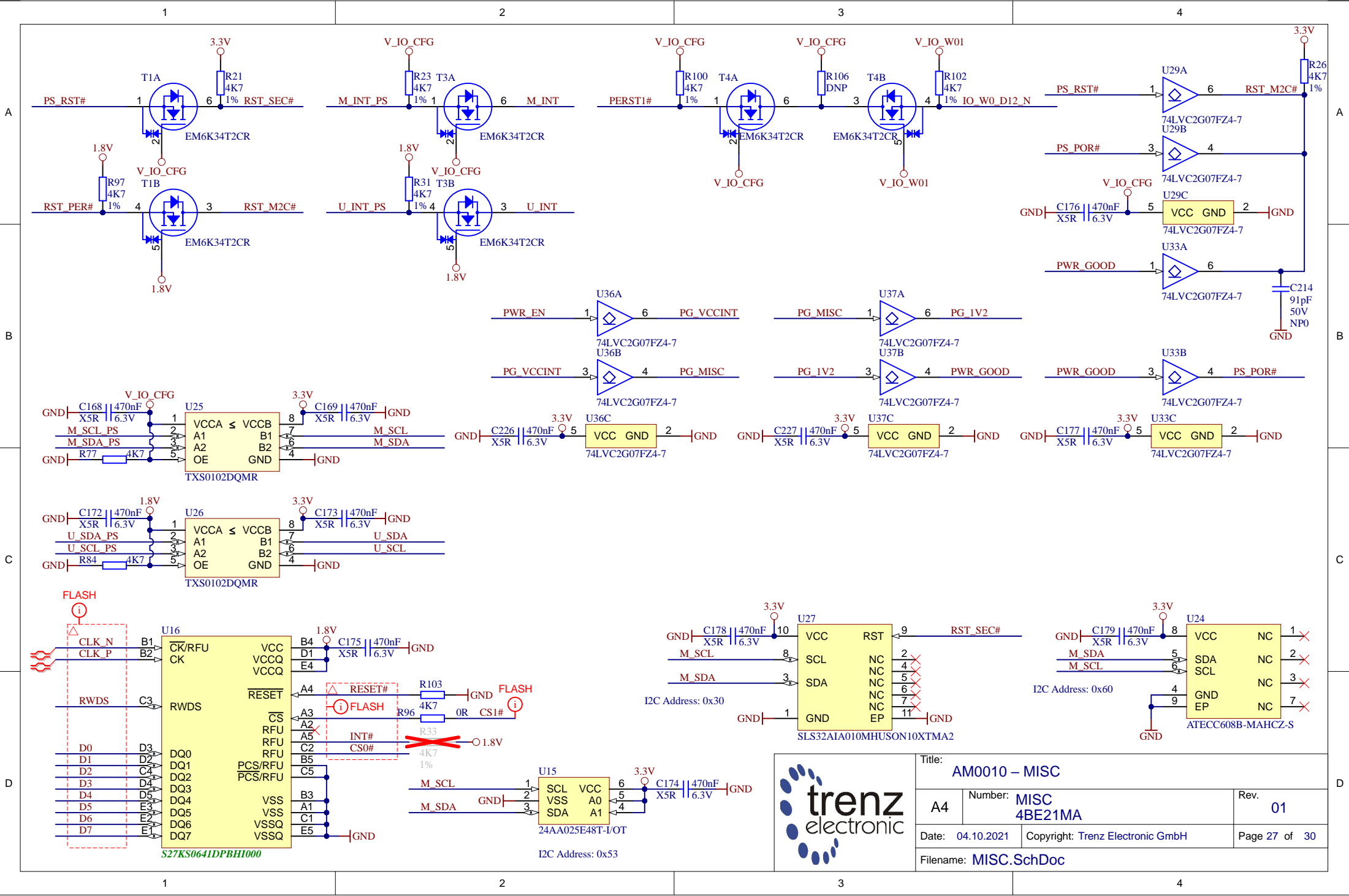


		Title: AM0010 – ETHPHY	
		A4	Number: ETHPHY 4BE21MA
Date: 04.10.2021		Copyright: Trenz Electronic GmbH	
Filename: ETHPHY.SchDoc		Rev. 01	



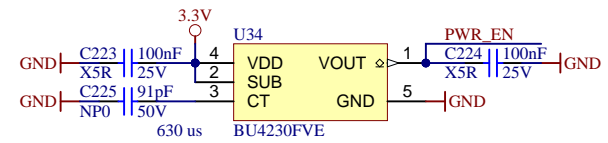
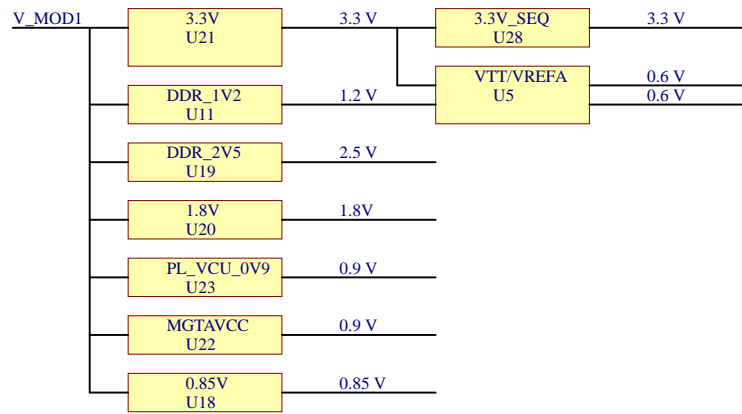
	Title: AM0010 – USBPHY	
	A4	Number: USBPHY 4BE21MA
	Date: 04.10.2021	Copyright: Trenz Electronic GmbH
	Filename: USBPHY.SchDoc	

Rev. 01
Page 26 of 30

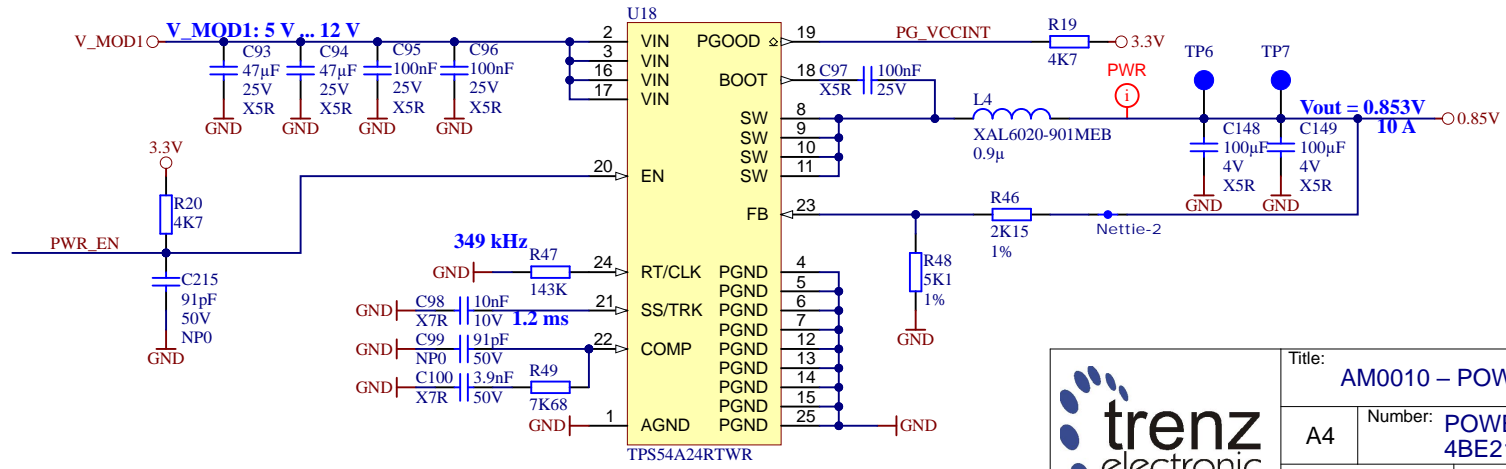
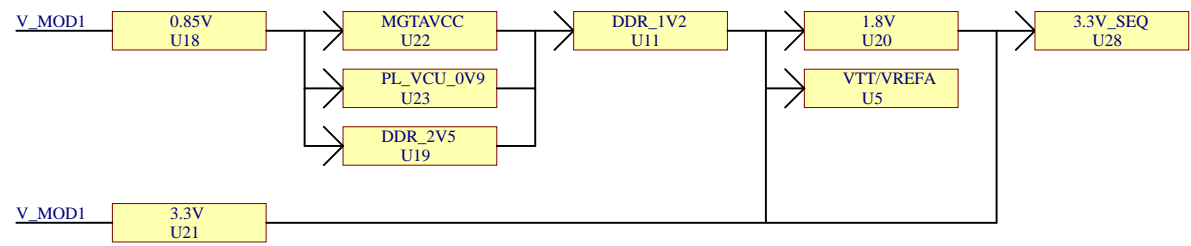



Title: AM0010 – MISC		
A4	Number: MISC 4BE21MA	Rev. 01
Date: 04.10.2021	Copyright: Trenz Electronic GmbH	
Filename: MISC.SchDoc		Page 27 of 30

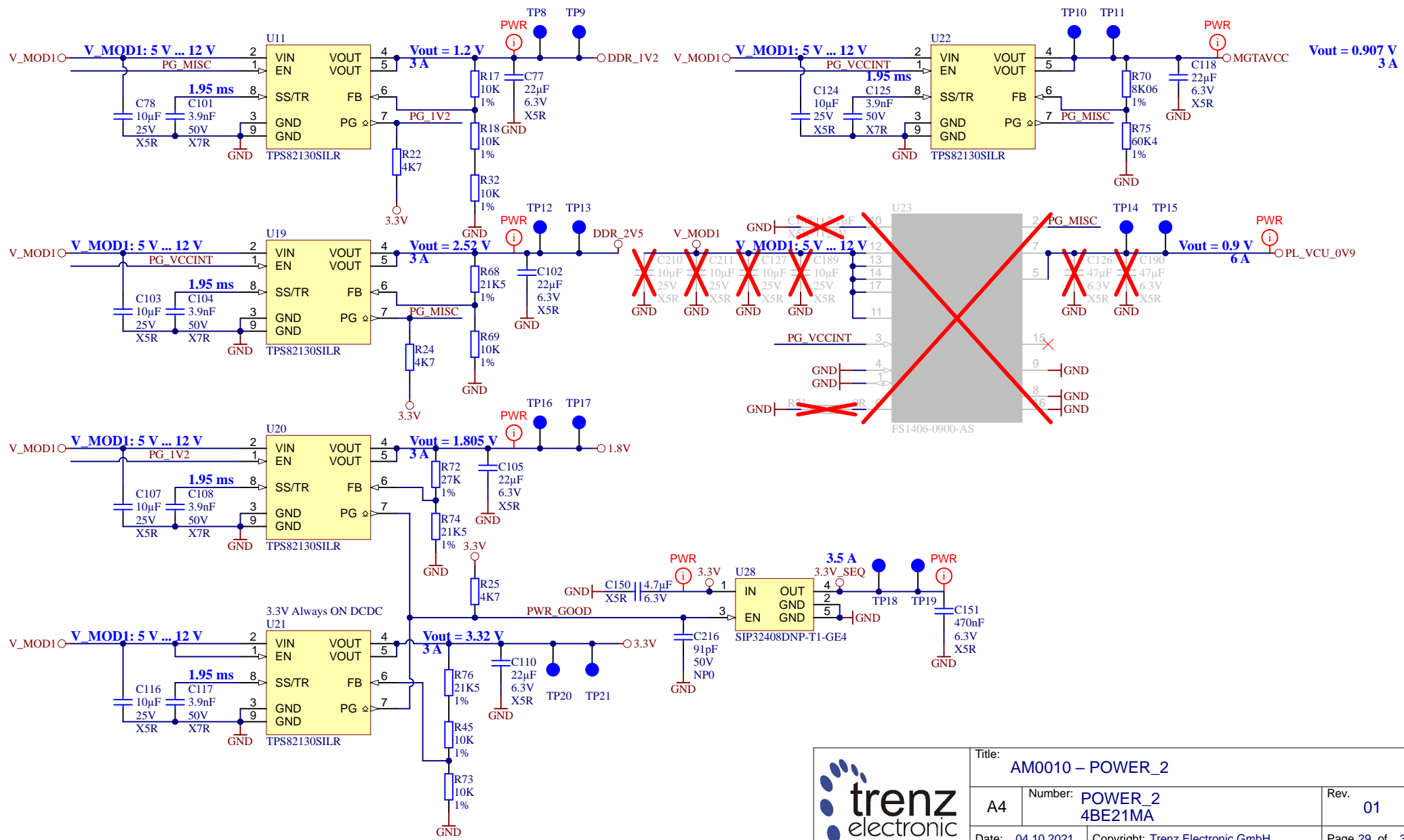
Power Supply Structure



Power Supply Sequencing



			Title: AM0010 – POWER_1	
			A4	Number: POWER_1 4BE21MA
Date: 04.10.2021		Copyright: Trenz Electronic GmbH		Page 28 of 30
Filename: POWER_1.SchDoc				



Title: AM0010 – POWER_2		
A4	Number: POWER_2 4BE21MA	Rev. 01
Date: 04.10.2021	Copyright: Trenz Electronic GmbH	Page 29 of 30
Filename: POWER_2.SchDoc		

1

2

3

4

A

A

B

B


C

C

D

D

REV	Description	
-01	Initial revision	AL/ED

			Title: AM0010 – Revision_Changes					
			A4	Number: Revision_Changes 4BE21MA		Rev. 01		
			Date: 04.10.2021		Copyright: Trenz Electronic GmbH		Page 30 of 30	
			Filename: Revision_Changes.SchDoc					

1

2

3

4