

Regarding the usage of our schematics and alike documentation for Trenz module AM0010.

Project is protected under copyright and we strongly and strictly prohibit the reverse engineering or recreation, even if the design is just adapted or modified. AM0010 is protected under such right and in case of plagiarism we will have to do anything necessary in order to protect our assets.

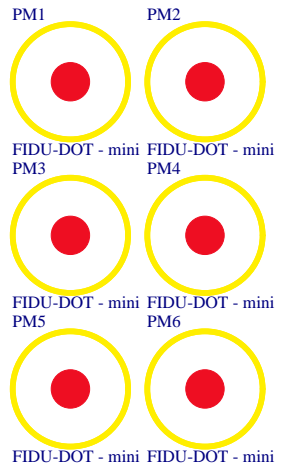
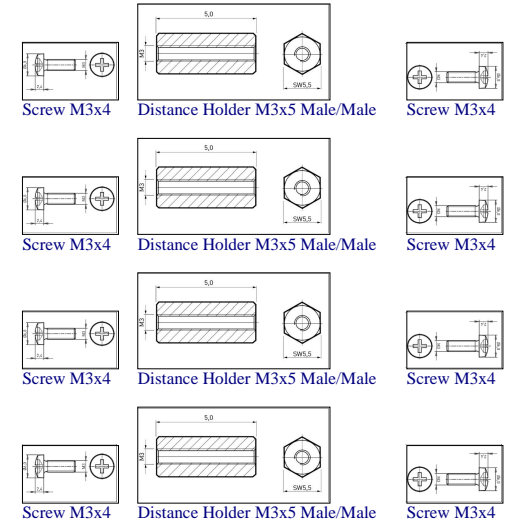
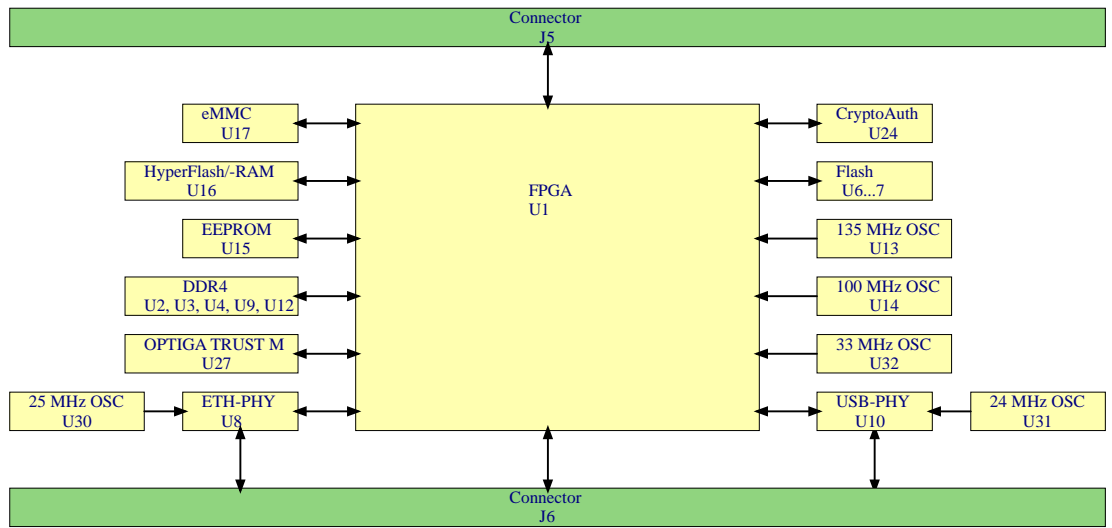
Schematics and other handouts serve for informational purposes only!

| | | | |
|---------------------------------------------------------------------------------------|-----------------------------------------------|--------------------------------------------------|----------------------------|
|  | Title: AM0010 – Legal Notices Modules | | |
| | A4 | Number: Legal Notices Modules 3BE21MA | Rev. 02 |
| | Date: 22.07.2022 | Copyright: Trenz Electronic GmbH | Page 1 of 30 |
| | Filename: Legal Notices Modules.SchDoc | | |

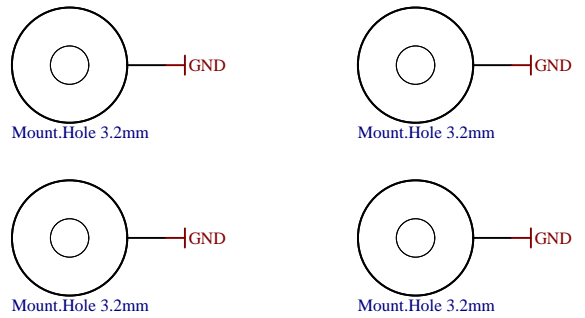
- U_B2B_Connector_1
B2B_Connector_1.SchDoc
- U_B2B_Connector_2
B2B_Connector_2.SchDoc
- U_MPSoC
MPSoC.SchDoc
- U_DDR4-RAM
DDR4-RAM.SchDoc
- U_DDR4-RAM_2
DDR4-RAM_2.SchDoc
- U_DDR4-RAM_3
DDR4-RAM_3.SchDoc
- U_DDR4-RAM_4
DDR4-RAM_4.SchDoc
- U_DDR4-RAM_5
DDR4-RAM_5.SchDoc
- U_DDR4-CAPS
DDR4-CAPS.SchDoc
- U_DDR4-TERM
DDR4-TERM.SchDoc
- U_ETHPHY
ETHPHY.SchDoc
- U_USBPHY
USBPHY.SchDoc
- U_eMMC
eMMC.SchDoc
- U_MISC
MISC.SchDoc

- U_POWER_1
POWER_1.SchDoc
- U_POWER_2
POWER_2.SchDoc
- U_REV_CH
Revision_Changes.SchDoc
- U_Legal_Notices_Modules
Legal_Notices_Modules.SchDoc

Special notes:



Serial
Serialnumber 6,3 x 6.3mm



UKCA
UKCA Logo on Top Overlay
UKCA-TOPOVERLAY



| | |
|------------------|----------|
| Assembly variant | 3BE21MA |
| Created by | ED |
| Modified by | ED |
| Modified at | 02.07.21 |
| SVN Revision | 588 |

| | | |
|-------------------------|----------------------------------|--------------|
| Title: AM0010 | | |
| A4 | Number: AM0010 3BE21MA | Rev. 02 |
| Date: 22.07.2022 | Copyright: Trenz Electronic GmbH | Page 2 of 30 |
| Filename: AM0010.SchDoc | | |

1

2

3

4

A

A

B

B

C

C

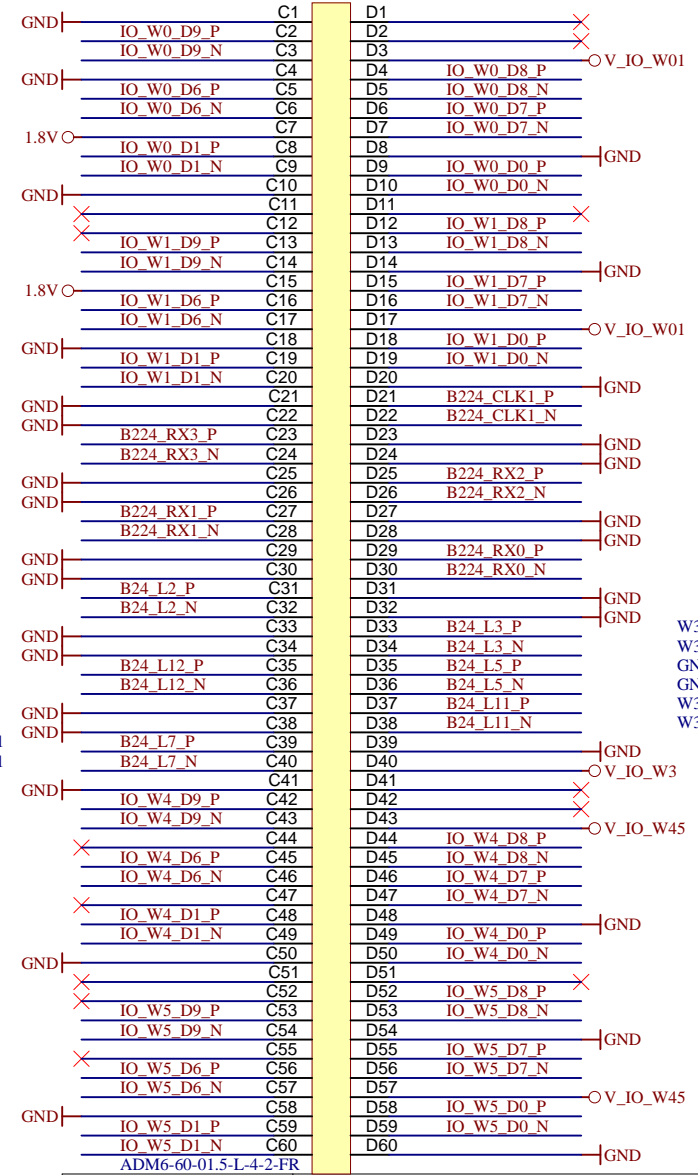
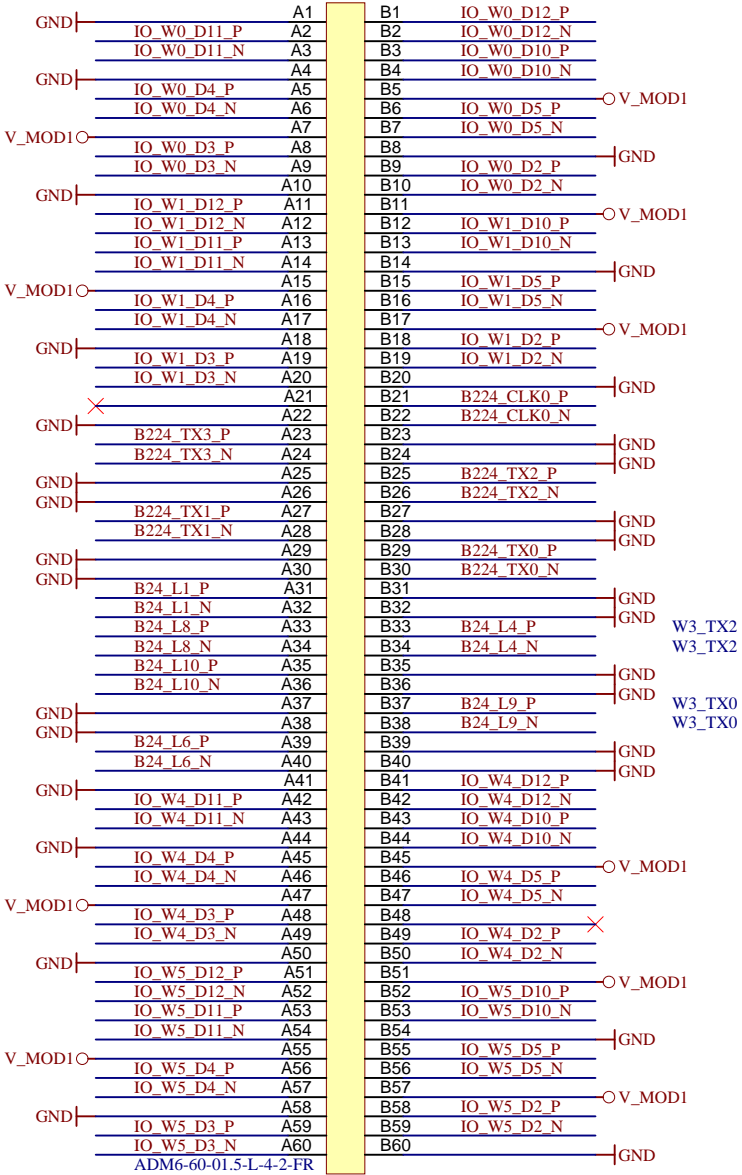
D

D

Connector W

J5A

J5B



W3_TX3
W3_TX3
GND
W3_TX1
W3_TX1

W3_CLK0
W3_CLK0

W3_TX2
W3_TX2

W3_TX0
W3_TX0

W3_RX3
W3_RX3

W3_RX1
W3_RX1

W3_CLK1
W3_CLK1

W3_RX2
W3_RX2
GND
W3_RX0
W3_RX0

W3_RX0
W3_RX0



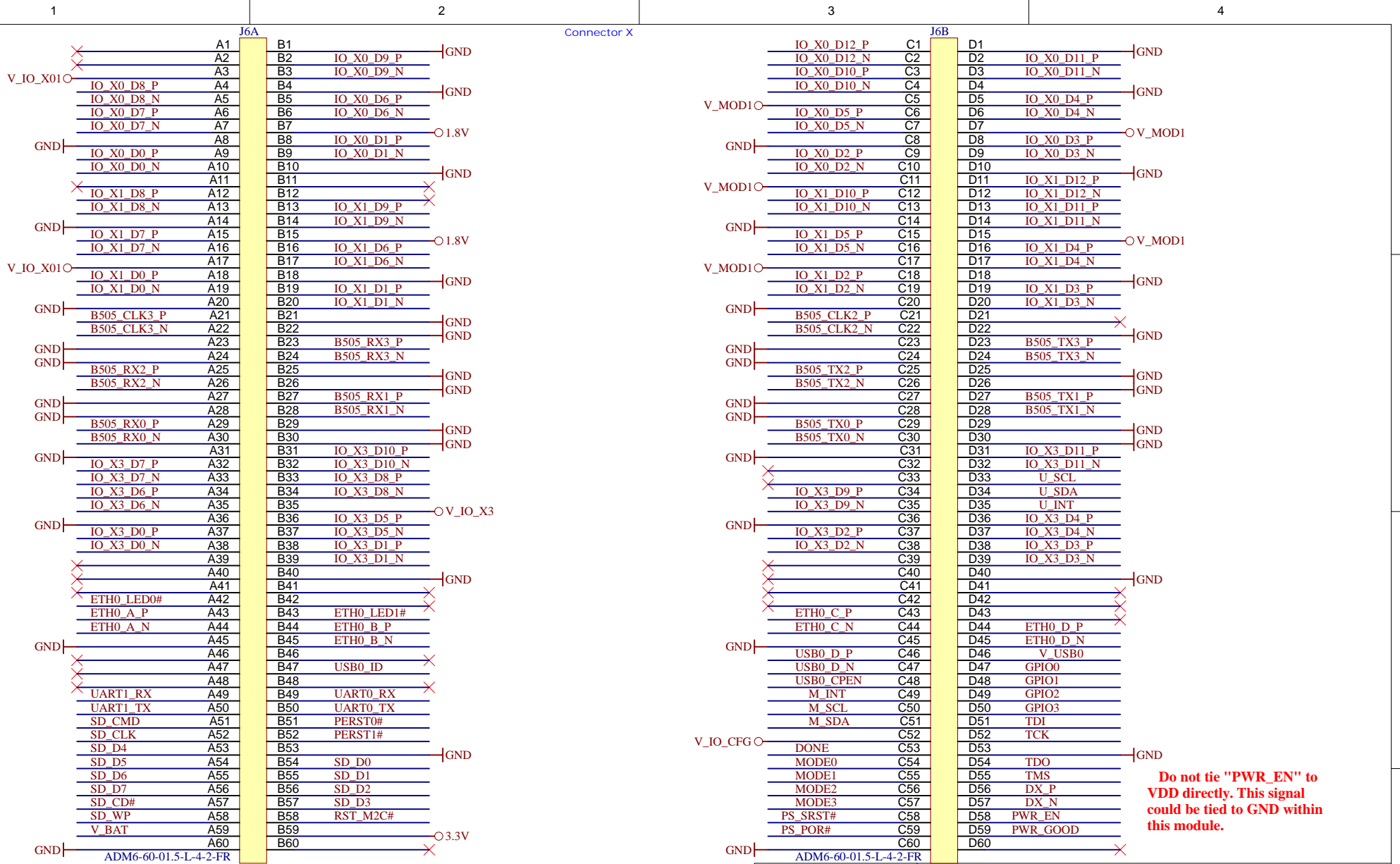
| | | |
|----------------------------------|------------------------------------|--------------|
| Title: AM0010 – B2B_Connector_1 | | |
| A4 | Number: B2B_Connector_1 3BE21MA | Rev. 02 |
| Date: 22.07.2022 | Copyright: Trenz Electronic GmbH | Page 3 of 30 |
| Filename: B2B_Connector_1.SchDoc | | |

1

2

3

4



Do not tie "PWR_EN" to VDD directly. This signal could be tied to GND within this module.



| | | |
|----------------------------------|------------------------------------|--------------|
| Title: AM0010 – B2B_Connector_2 | | |
| A4 | Number: B2B_Connector_2 3BE21MA | Rev. 02 |
| Date: 22.07.2022 | Copyright: Trenz Electronic GmbH | Page 4 of 30 |
| Filename: B2B_Connector_2.SchDoc | | |

1

2

3

4

A

A

- U_B64
B64.SchDoc
- U_B65
B65.SchDoc
- U_B66
B66.SchDoc
- U_B_HD
B_HD.SchDoc
- U_B_MIO
B_MIO.SchDoc
- U_PS_DDR
PS_DDR.SchDoc
- U_B_PS_GT
B_PS_GT.SchDoc
- U_B_GT
B_GT.SchDoc
- U_CONFIG
CONFIG.SchDoc
- U_ZU_POWER
ZU_POWER.SchDoc
- U_ZU_PS_POWER
ZU_PS_POWER.SchDoc

B

B

C

C

D


D

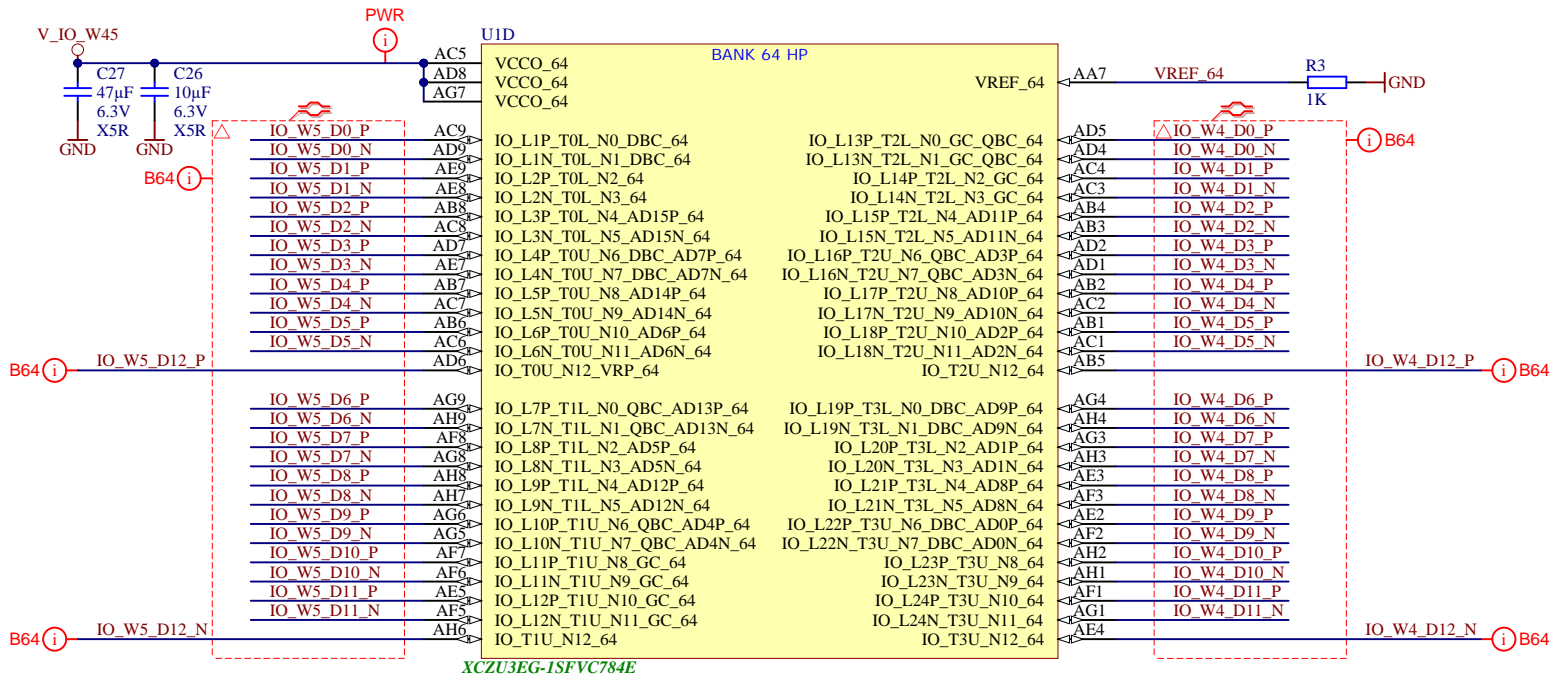
1

2

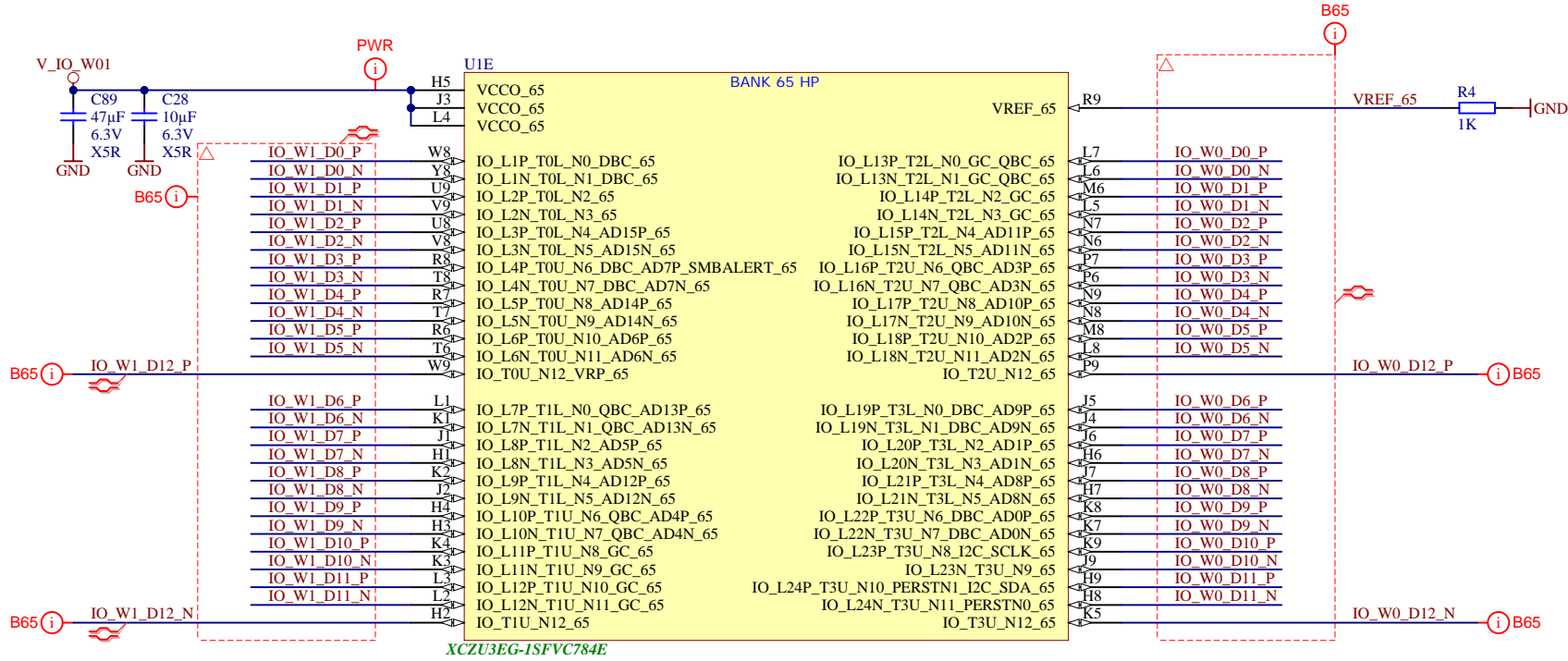
3

4

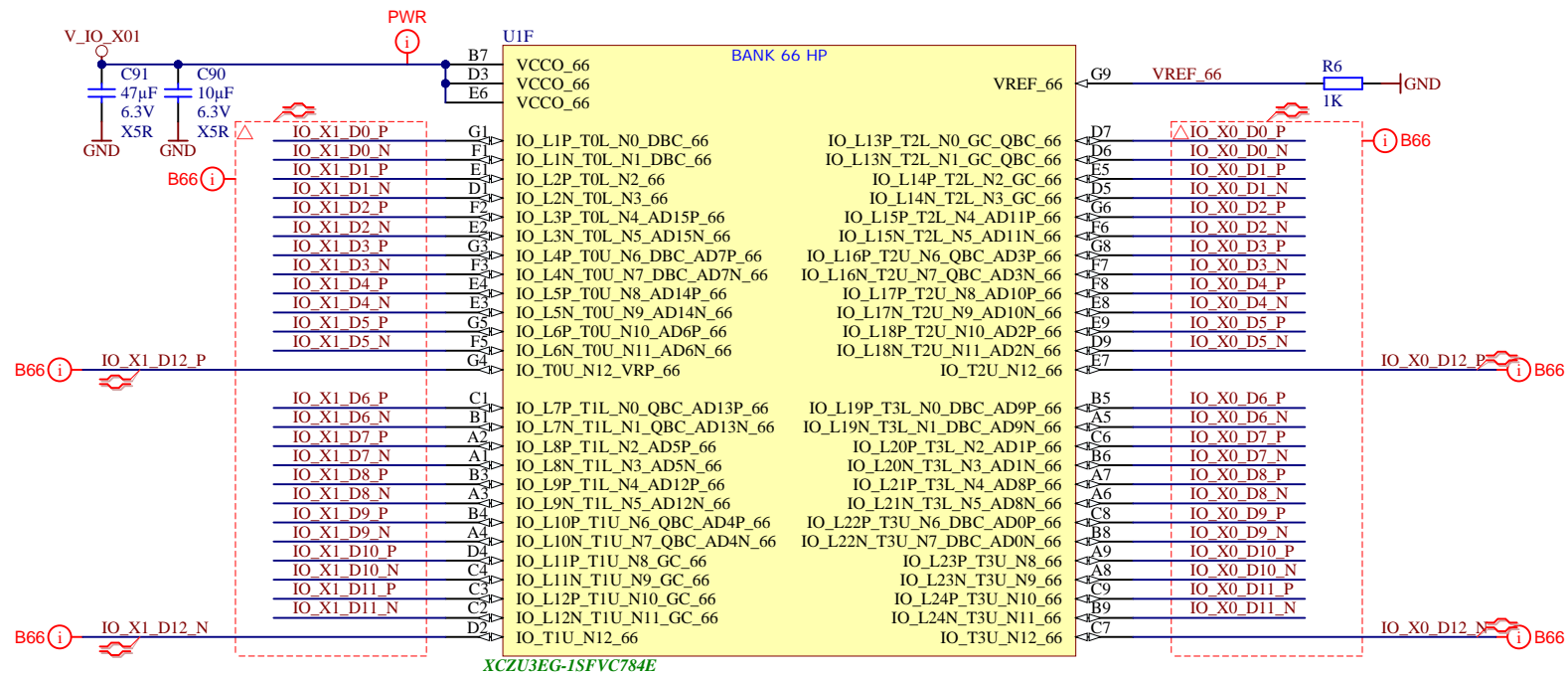
| | | | |
|---------------------------------------------------------------------------------------|------------------------|----------------------------------|--------------|
|  | Title: AM0010 – MPSoC | | |
| | A4 | Number: MPSoC 3BE21MA | Rev. 02 |
| | Date: 22.07.2022 | Copyright: Trenz Electronic GmbH | Page 5 of 30 |
| | Filename: MPSoC.SchDoc | | |



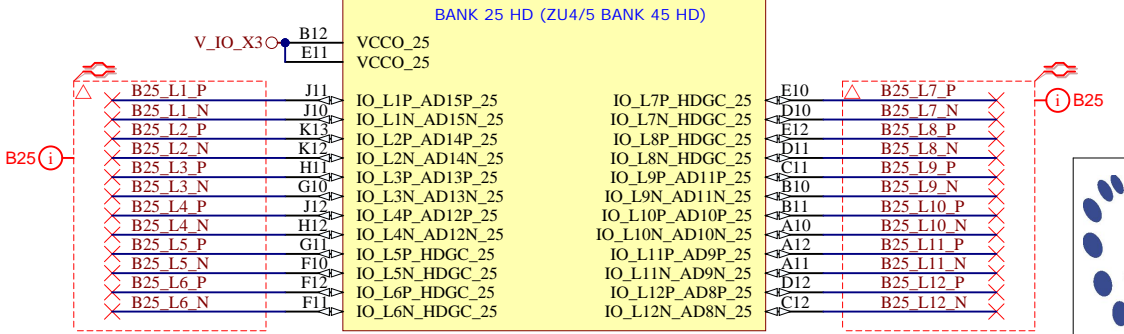
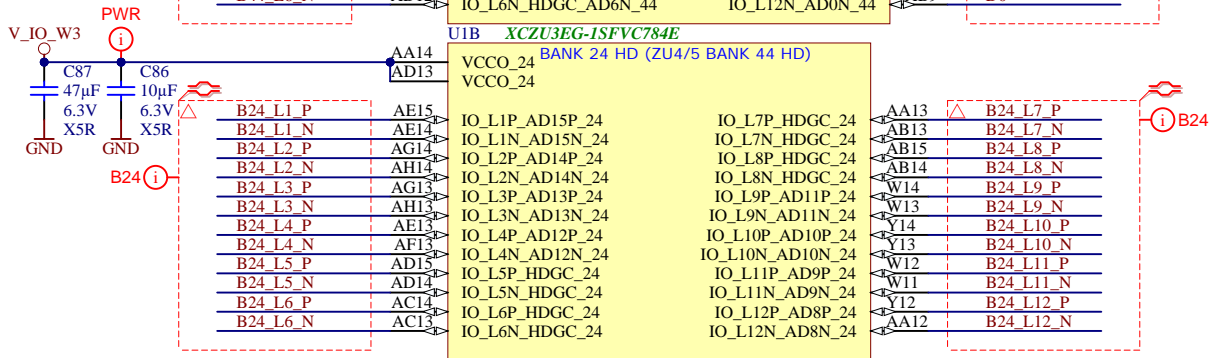
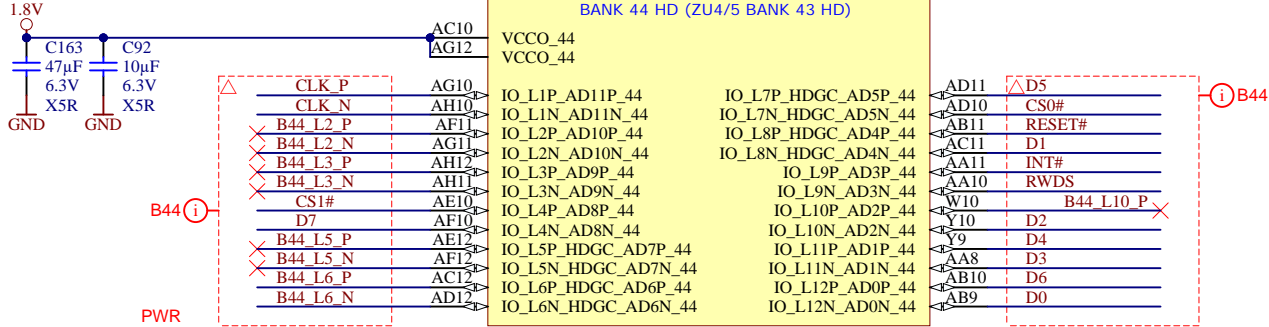
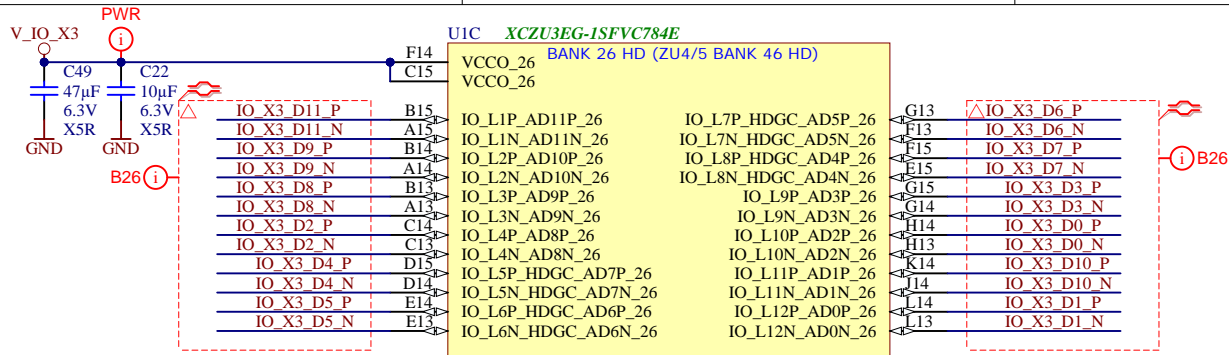
| | | |
|----------------------|----------------------------------|--------------|
| Title: AM0010 – B64 | | |
| A4 | Number: B64 3BE21MA | Rev. 02 |
| Date: 22.07.2022 | Copyright: Trenz Electronic GmbH | Page 6 of 30 |
| Filename: B64.SchDoc | | |



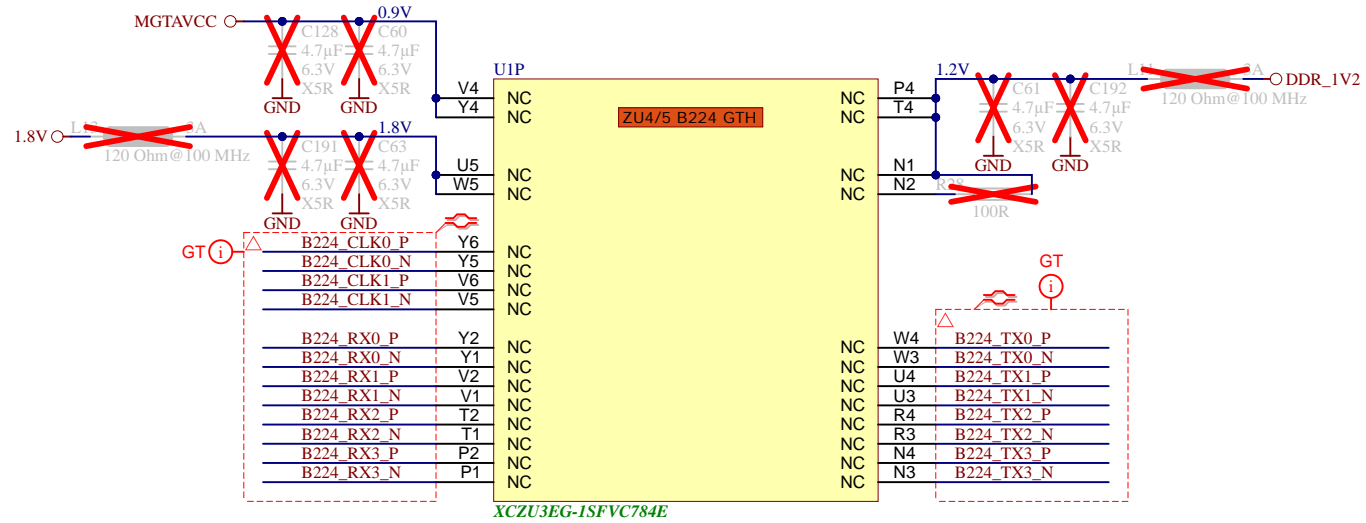
| | | |
|----------------------|----------------------------------|--------------|
| Title: AM0010 – B65 | | |
| A4 | Number: B65 3BE21MA | Rev. 02 |
| Date: 22.07.2022 | Copyright: Trenz Electronic GmbH | Page 7 of 30 |
| Filename: B65.SchDoc | | |



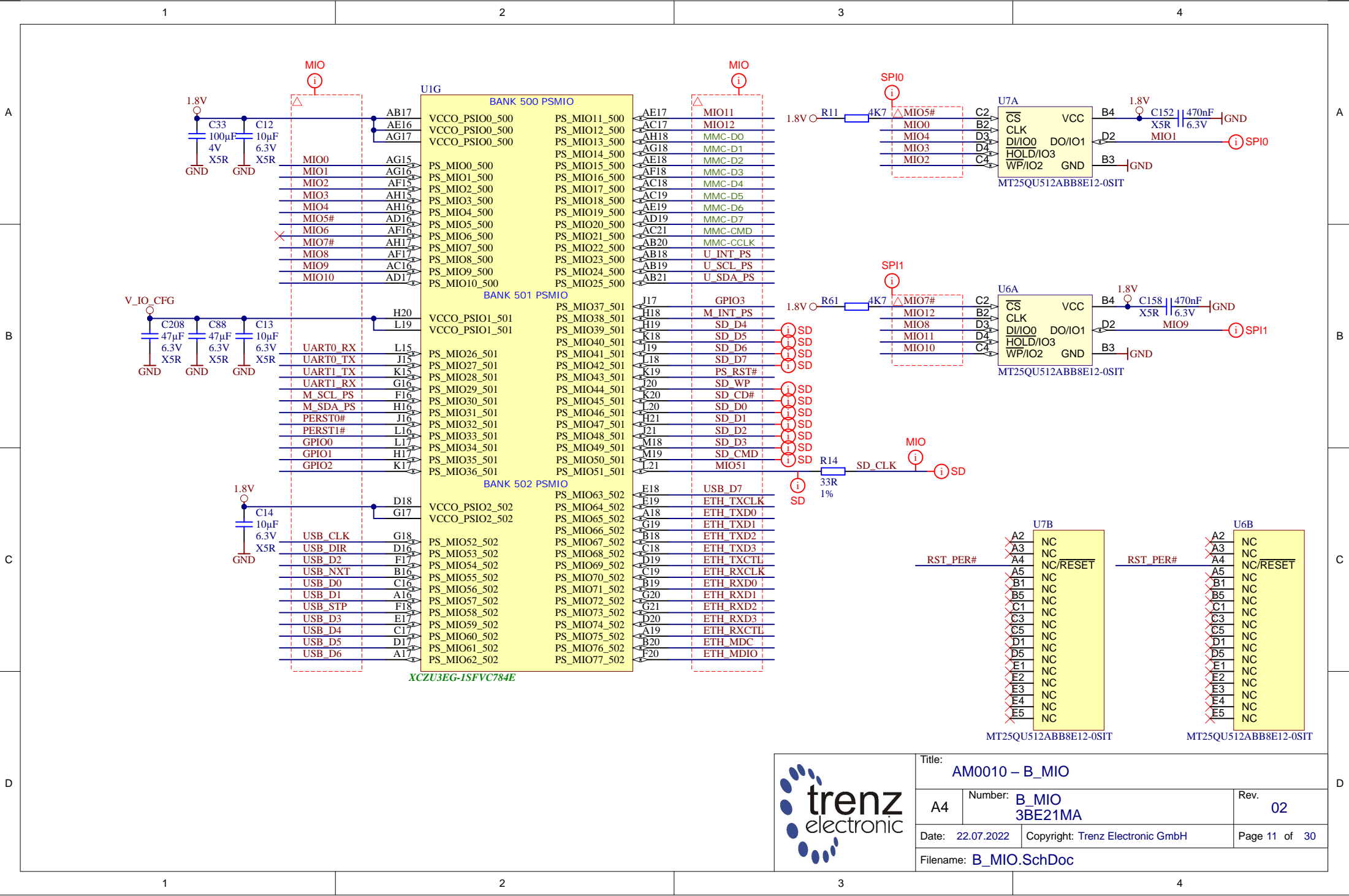
| | | |
|----------------------|----------------------------------|--------------|
| Title: AM0010 – B66 | | |
| A4 | Number: B66 3BE21MA | Rev. 02 |
| Date: 22.07.2022 | Copyright: Trenz Electronic GmbH | Page 8 of 30 |
| Filename: B66.SchDoc | | |



| | | |
|-----------------------|----------------------------------|--------------|
| Title: AM0010 - B_HD | | |
| A4 | Number: B_HD 3BE21MA | Rev. 02 |
| Date: 22.07.2022 | Copyright: Trenz Electronic GmbH | Page 9 of 30 |
| Filename: B_HD.SchDoc | | |

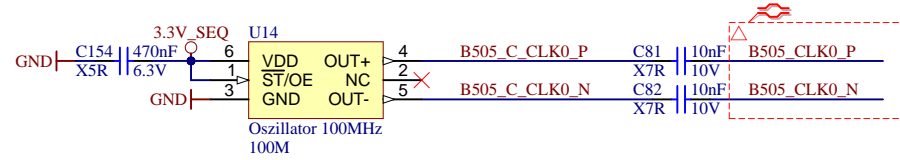
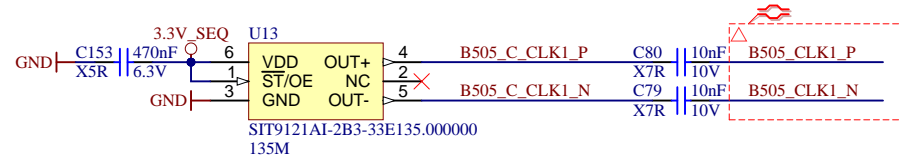
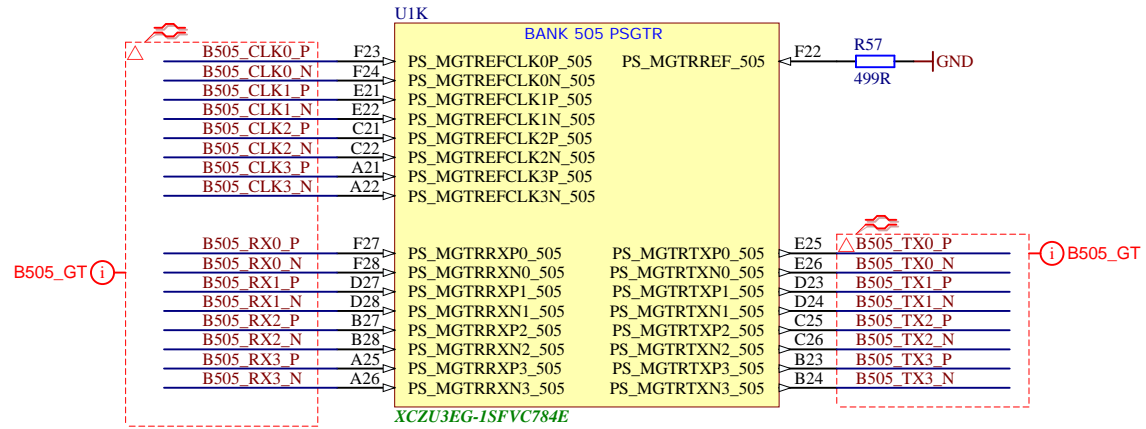


| | | | |
|--|-----------------------|----------------------------------|---------------|
| | Title: AM0010 - B_GT | | |
| | A4 | Number: B_GT 3BE21MA | Rev. 02 |
| | Date: 22.07.2022 | Copyright: Trenz Electronic GmbH | Page 10 of 30 |
| | Filename: B_GT.SchDoc | | |

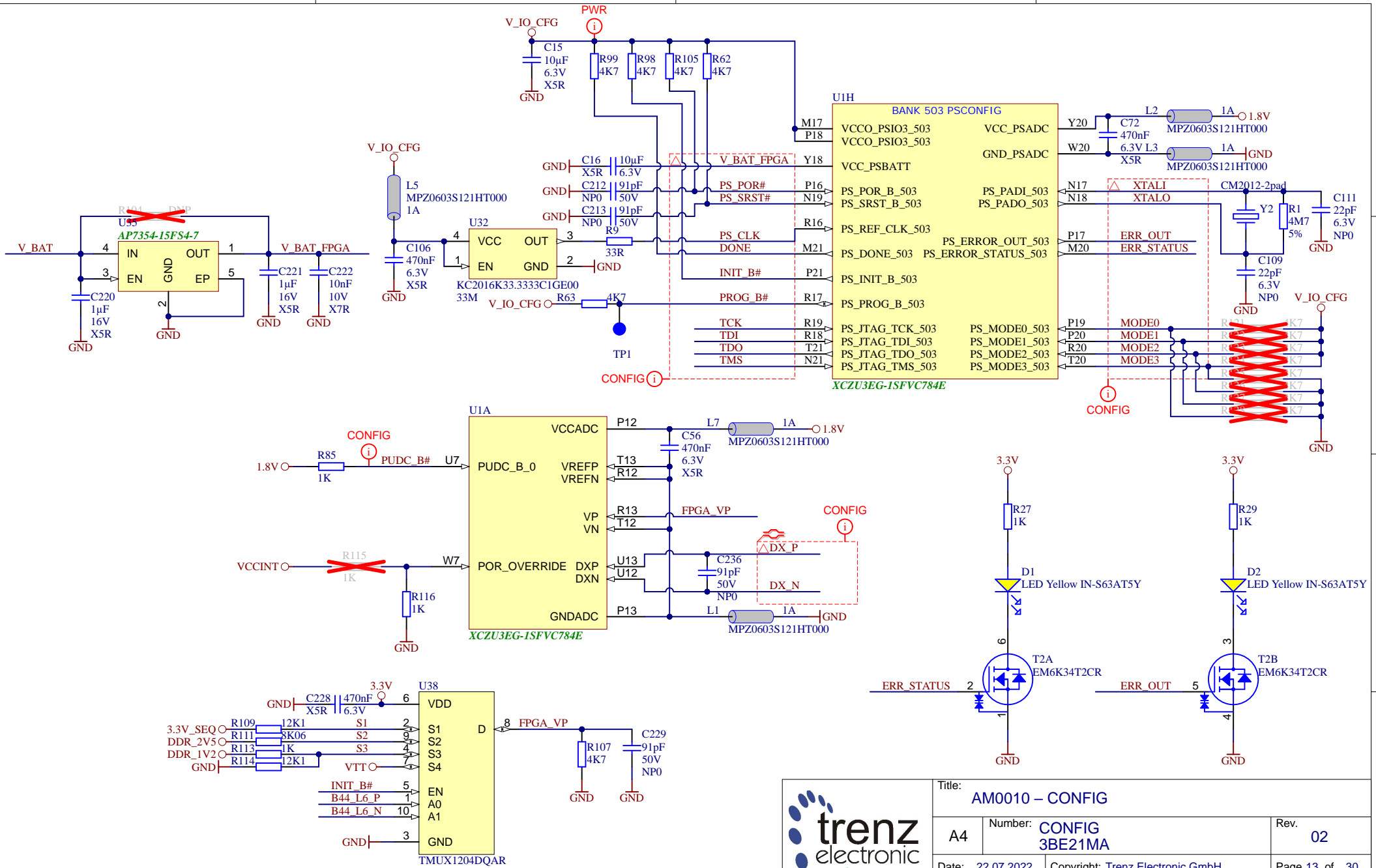


| | | |
|--|-------------------------------|----------------------------------|
| | Title: AM0010 - B_MIO | |
| | A4 | Number: B_MIO 3BE21MA |
| | Date: 22.07.2022 | Copyright: Trenz Electronic GmbH |
| | Filename: B_MIO.SchDoc | |

Rev. **02**
Page 11 of 30



| | | |
|--------------------------|----------------------------------|----------------------------|
| | Title: AM0010 - B_PS_GT | |
| | A4 | Number: B_PS_GT 3BE21MA |
| | Date: 22.07.2022 | Rev. 02 |
| | Copyright: Trenz Electronic GmbH | |
| Filename: B_PS_GT.SchDoc | | Page 12 of 30 |



| | | |
|-------------------------|----------------------------------|---------------|
| Title: AM0010 – CONFIG | | |
| A4 | Number: CONFIG 3BE21MA | Rev. 02 |
| Date: 22.07.2022 | Copyright: Trenz Electronic GmbH | Page 13 of 30 |
| Filename: CONFIG.SchDoc | | |

A

B

C

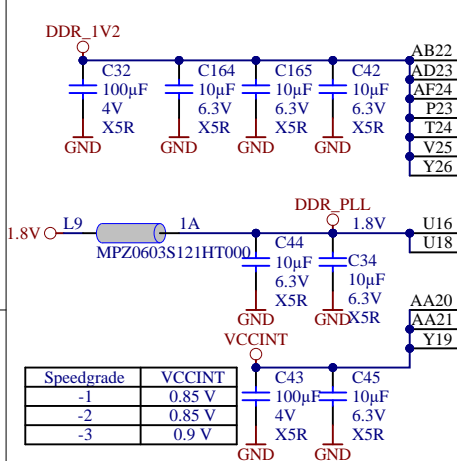
D

A

B

C

D



| U11 | | BANK 504 PSDDR | | | |
|----------------------|------------------|----------------|-------------|---------|-----|
| VCCO_PSDDR_504 | PS_DDR_CK0_504 | W25 | DDR4-CLK0_P | D80 | |
| VCCO_PSDDR_504 | PS_DDR_CK_N0_504 | W26 | DDR4-CLK0_N | D80 | |
| VCCO_PSDDR_504 | PS_DDR_CKE0_504 | V28 | DDR4-CKE0 | | |
| VCCO_PSDDR_504 | PS_DDR_CK1_504 | Y24 | | | X |
| VCCO_PSDDR_504 | PS_DDR_CK_N1_504 | Y25 | | | X |
| VCCO_PSDDR_504 | PS_DDR_CKE1_504 | V27 | | | X |
| VCC_PSDDR_PLL | PS_DDR_A0_504 | W28 | DDR4-A0 | | |
| VCC_PSDDR_PLL | PS_DDR_A1_504 | Y28 | DDR4-A1 | | |
| VCC_PSDDR_PLL | PS_DDR_A2_504 | AB28 | DDR4-A2 | | |
| VCC_PSDDR_PLL | PS_DDR_A3_504 | AA28 | DDR4-A3 | | |
| VCC_PSDDR_PLL | PS_DDR_A4_504 | Y27 | DDR4-A4 | | |
| VCC_PSINTRP_DDR | PS_DDR_A5_504 | AA27 | DDR4-A5 | | |
| VCC_PSINTRP_DDR | PS_DDR_A6_504 | Y22 | DDR4-A6 | | |
| VCC_PSINTRP_DDR | PS_DDR_A7_504 | AA23 | DDR4-A7 | | |
| VCC_PSINTRP_DDR | PS_DDR_A8_504 | AA22 | DDR4-A8 | | |
| VCC_PSINTRP_DDR | PS_DDR_A9_504 | AB23 | DDR4-A9 | | |
| VCC_PSINTRP_DDR | PS_DDR_A10_504 | AA25 | DDR4-A10 | | |
| VCC_PSINTRP_DDR | PS_DDR_A11_504 | AA26 | DDR4-A11 | | |
| VCC_PSINTRP_DDR | PS_DDR_A12_504 | AB25 | DDR4-A12 | | |
| VCC_PSINTRP_DDR | PS_DDR_A13_504 | AB26 | DDR4-A13 | | |
| VCC_PSINTRP_DDR | PS_DDR_A14_504 | AB24 | DDR4-A14 | | |
| VCC_PSINTRP_DDR | PS_DDR_A15_504 | AC24 | DDR4-A15 | | |
| VCC_PSINTRP_DDR | PS_DDR_A16_504 | AC23 | DDR4-A16 | | |
| VCC_PSINTRP_DDR | PS_DDR_A17_504 | AC22 | DDR4-A17 | | |
| PS_DDR_CS_N0_504 | | W27 | DDR4-CS# | | |
| PS_DDR_CS_N1_504 | | V26 | | | X |
| PS_DDR_BA0_504 | | V23 | DDR4-BA0 | | |
| PS_DDR_BA1_504 | | W22 | DDR4-BA1 | | |
| PS_DDR_BG0_504 | | W24 | DDR4-BG0 | | |
| PS_DDR_BG1_504 | | V22 | DDR4-BG1 | | |
| PS_DDR_PARITY_504 | | V24 | DDR4-PAR | | |
| PS_DDR_RAM_RST_N_504 | | U23 | DDR4-RESET# | | |
| PS_DDR_ACT_N_504 | | Y23 | DDR4-ACT# | | |
| PS_DDR_ALERT_N_504 | | U25 | DDR4-ALERT# | | |
| PS_DDR_ZQ_504 | | U24 | | R2 240R | GND |
| PS_DDR_ODT0_504 | | U28 | DDR4-ODT0 | | |
| PS_DDR_ODT1_504 | | U26 | | | X |

XCZU3EG-1SFVC784E

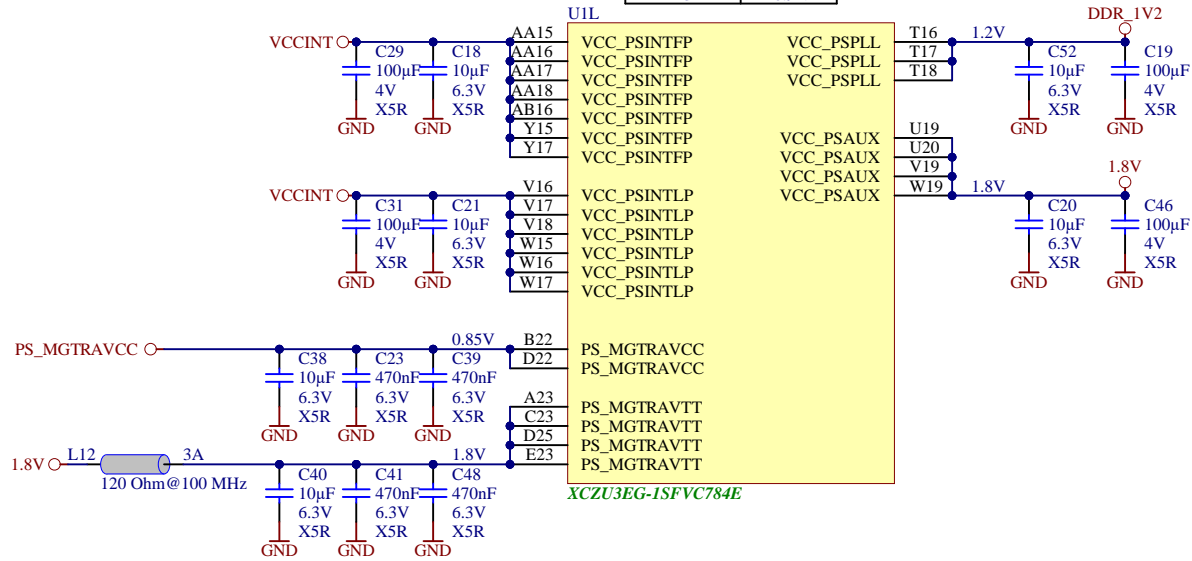
| U1J | | BANK 504 PSDDR | | | |
|-------------|------|-------------------|-----------------|------|-----------|
| DQ0 | AD21 | PS_DDR_DQ0_504 | PS_DDR_DQ32_504 | T22 | DQ32 |
| DQ1 | AE20 | PS_DDR_DQ1_504 | PS_DDR_DQ33_504 | R22 | DQ33 |
| DQ2 | AD20 | PS_DDR_DQ2_504 | PS_DDR_DQ34_504 | P22 | DQ34 |
| DQ3 | AF20 | PS_DDR_DQ3_504 | PS_DDR_DQ35_504 | N22 | DQ35 |
| DQ4 | AH21 | PS_DDR_DQ4_504 | PS_DDR_DQ36_504 | T23 | DQ36 |
| DQ5 | AH20 | PS_DDR_DQ5_504 | PS_DDR_DQ37_504 | P24 | DQ37 |
| DQ6 | AH19 | PS_DDR_DQ6_504 | PS_DDR_DQ38_504 | R24 | DQ38 |
| DQ7 | AG19 | PS_DDR_DQ7_504 | PS_DDR_DQ39_504 | N24 | DQ39 |
| DQ8 | AF22 | PS_DDR_DQ8_504 | PS_DDR_DQ40_504 | H24 | DQ40 |
| DQ9 | AH22 | PS_DDR_DQ9_504 | PS_DDR_DQ41_504 | J24 | DQ41 |
| DQ10 | AE22 | PS_DDR_DQ10_504 | PS_DDR_DQ42_504 | M24 | DQ42 |
| DQ11 | AD23 | PS_DDR_DQ11_504 | PS_DDR_DQ43_504 | K24 | DQ43 |
| DQ12 | AH23 | PS_DDR_DQ12_504 | PS_DDR_DQ44_504 | J22 | DQ44 |
| DQ13 | AH24 | PS_DDR_DQ13_504 | PS_DDR_DQ45_504 | H22 | DQ45 |
| DQ14 | AE24 | PS_DDR_DQ14_504 | PS_DDR_DQ46_504 | K22 | DQ46 |
| DQ15 | AG24 | PS_DDR_DQ15_504 | PS_DDR_DQ47_504 | J22 | DQ47 |
| DQ16 | AC26 | PS_DDR_DQ16_504 | PS_DDR_DQ48_504 | M25 | DQ48 |
| DQ17 | AD26 | PS_DDR_DQ17_504 | PS_DDR_DQ49_504 | M26 | DQ49 |
| DQ18 | AD25 | PS_DDR_DQ18_504 | PS_DDR_DQ50_504 | L25 | DQ50 |
| DQ19 | AD24 | PS_DDR_DQ19_504 | PS_DDR_DQ51_504 | L26 | DQ51 |
| DQ20 | AG26 | PS_DDR_DQ20_504 | PS_DDR_DQ52_504 | K28 | DQ52 |
| DQ21 | AH25 | PS_DDR_DQ21_504 | PS_DDR_DQ53_504 | L28 | DQ53 |
| DQ22 | AH26 | PS_DDR_DQ22_504 | PS_DDR_DQ54_504 | M28 | DQ54 |
| DQ23 | AG25 | PS_DDR_DQ23_504 | PS_DDR_DQ55_504 | N28 | DQ55 |
| DQ24 | AH27 | PS_DDR_DQ24_504 | PS_DDR_DQ56_504 | J28 | DQ56 |
| DQ25 | AH28 | PS_DDR_DQ25_504 | PS_DDR_DQ57_504 | K27 | DQ57 |
| DQ26 | AF28 | PS_DDR_DQ26_504 | PS_DDR_DQ58_504 | H28 | DQ58 |
| DQ27 | AG28 | PS_DDR_DQ27_504 | PS_DDR_DQ59_504 | H27 | DQ59 |
| DQ28 | AC27 | PS_DDR_DQ28_504 | PS_DDR_DQ60_504 | G26 | DQ60 |
| DQ29 | AD27 | PS_DDR_DQ29_504 | PS_DDR_DQ61_504 | G25 | DQ61 |
| DQ30 | AD28 | PS_DDR_DQ30_504 | PS_DDR_DQ62_504 | K25 | DQ62 |
| DQ31 | AC28 | PS_DDR_DQ31_504 | PS_DDR_DQ63_504 | J25 | DQ63 |
| | | PS_DDR_DQ64_504 | PS_DDR_DQ64_504 | T28 | DQ64 |
| | | PS_DDR_DQ65_504 | PS_DDR_DQ65_504 | R28 | DQ65 |
| DDR4-DQS0_P | AF21 | PS_DDR_DQS_P0_504 | PS_DDR_DQ66_504 | P28 | DQ66 |
| DDR4-DQS0_N | AG21 | PS_DDR_DQS_N0_504 | PS_DDR_DQ67_504 | P27 | DQ67 |
| DDR4-DQS1_P | AF23 | PS_DDR_DQS_P1_504 | PS_DDR_DQ68_504 | P26 | DQ68 |
| DDR4-DQS1_N | AG23 | PS_DDR_DQS_N1_504 | PS_DDR_DQ69_504 | R25 | DQ69 |
| DDR4-DQS2_P | AF25 | PS_DDR_DQS_P2_504 | PS_DDR_DQ70_504 | P25 | DQ70 |
| DDR4-DQS2_N | AF26 | PS_DDR_DQS_N2_504 | PS_DDR_DQ71_504 | T25 | DQ71 |
| DDR4-DQS3_P | AE27 | PS_DDR_DQS_P3_504 | | | |
| DDR4-DQS3_N | AF27 | PS_DDR_DQS_N3_504 | | | |
| DDR4-DQS4_P | N23 | PS_DDR_DQS_P4_504 | | | |
| DDR4-DQS4_N | M23 | PS_DDR_DQS_N4_504 | | | |
| DDR4-DQS5_P | L23 | PS_DDR_DQS_P5_504 | PS_DDR_DM0_504 | AG20 | DDR4-DM0# |
| DDR4-DQS5_N | K23 | PS_DDR_DQS_N5_504 | PS_DDR_DM1_504 | AE23 | DDR4-DM1# |
| DDR4-DQS6_P | N26 | PS_DDR_DQS_P6_504 | PS_DDR_DM2_504 | AE25 | DDR4-DM2# |
| DDR4-DQS6_N | N27 | PS_DDR_DQS_N6_504 | PS_DDR_DM3_504 | AE28 | DDR4-DM3# |
| DDR4-DQS7_P | J26 | PS_DDR_DQS_P7_504 | PS_DDR_DM4_504 | R23 | DDR4-DM4# |
| DDR4-DQS7_N | J27 | PS_DDR_DQS_N7_504 | PS_DDR_DM5_504 | H23 | DDR4-DM5# |
| DDR4-DQS8_P | R27 | PS_DDR_DQS_P8_504 | PS_DDR_DM6_504 | L27 | DDR4-DM6# |
| DDR4-DQS8_N | T27 | PS_DDR_DQS_N8_504 | PS_DDR_DM7_504 | H26 | DDR4-DM7# |
| | | | PS_DDR_DM8_504 | T26 | DDR4-DM8# |

XCZU3EG-1SFVC784E

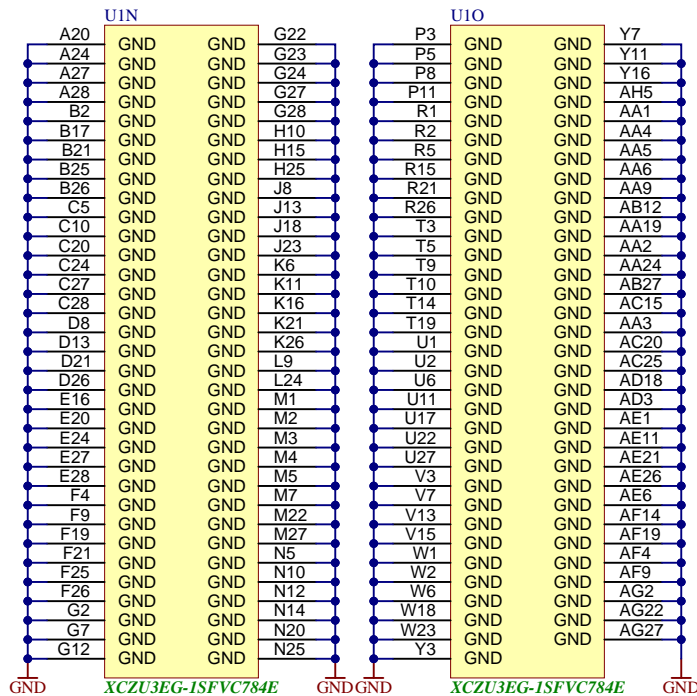


| | | |
|-------------------------|----------------------------------|---------------|
| Title: AM0010 – PS_DDR | | |
| A4 | Number: PS_DDR 3BE21MA | Rev. 02 |
| Date: 22.07.2022 | Copyright: Trenz Electronic GmbH | Page 14 of 30 |
| Filename: PS_DDR.SchDoc | | |

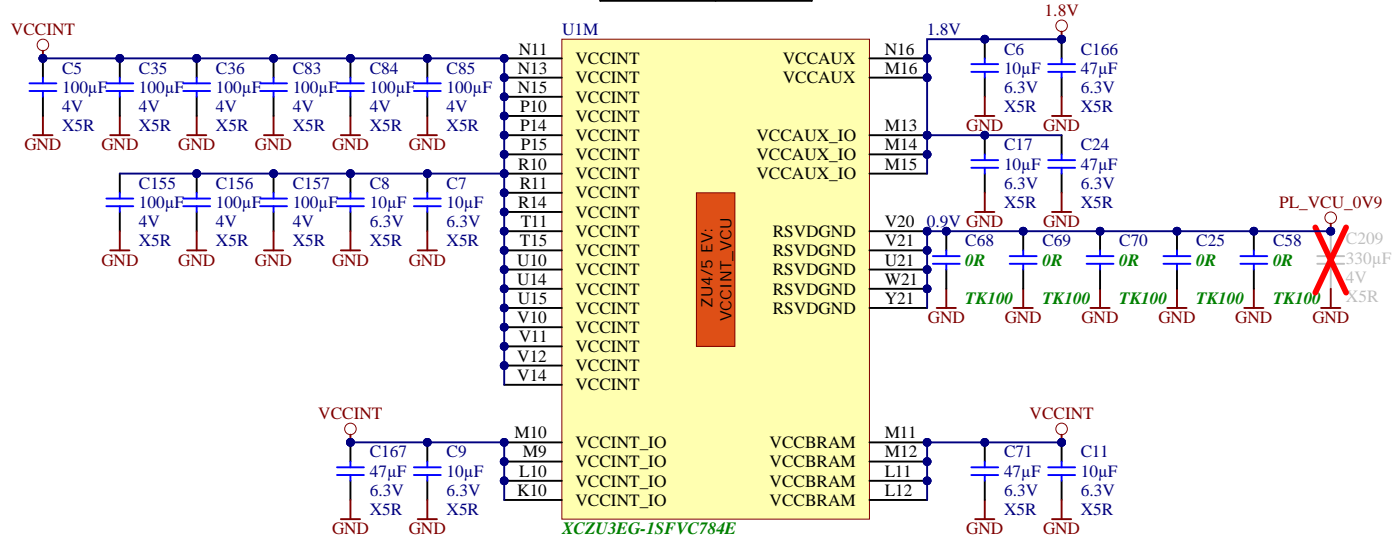

| Speedgrade | VCCINT |
|------------|--------|
| -1 | 0.85 V |
| -2 | 0.85 V |
| -3 | 0.9 V |



| | | |
|------------------------------|----------------------------------|---------------|
| Title: AM0010 – ZU_PS_POWER | | |
| A4 | Number: ZU_PS_POWER 3BE21MA | Rev. 02 |
| Date: 22.07.2022 | Copyright: Trenz Electronic GmbH | Page 15 of 30 |
| Filename: ZU_PS_POWER.SchDoc | | |



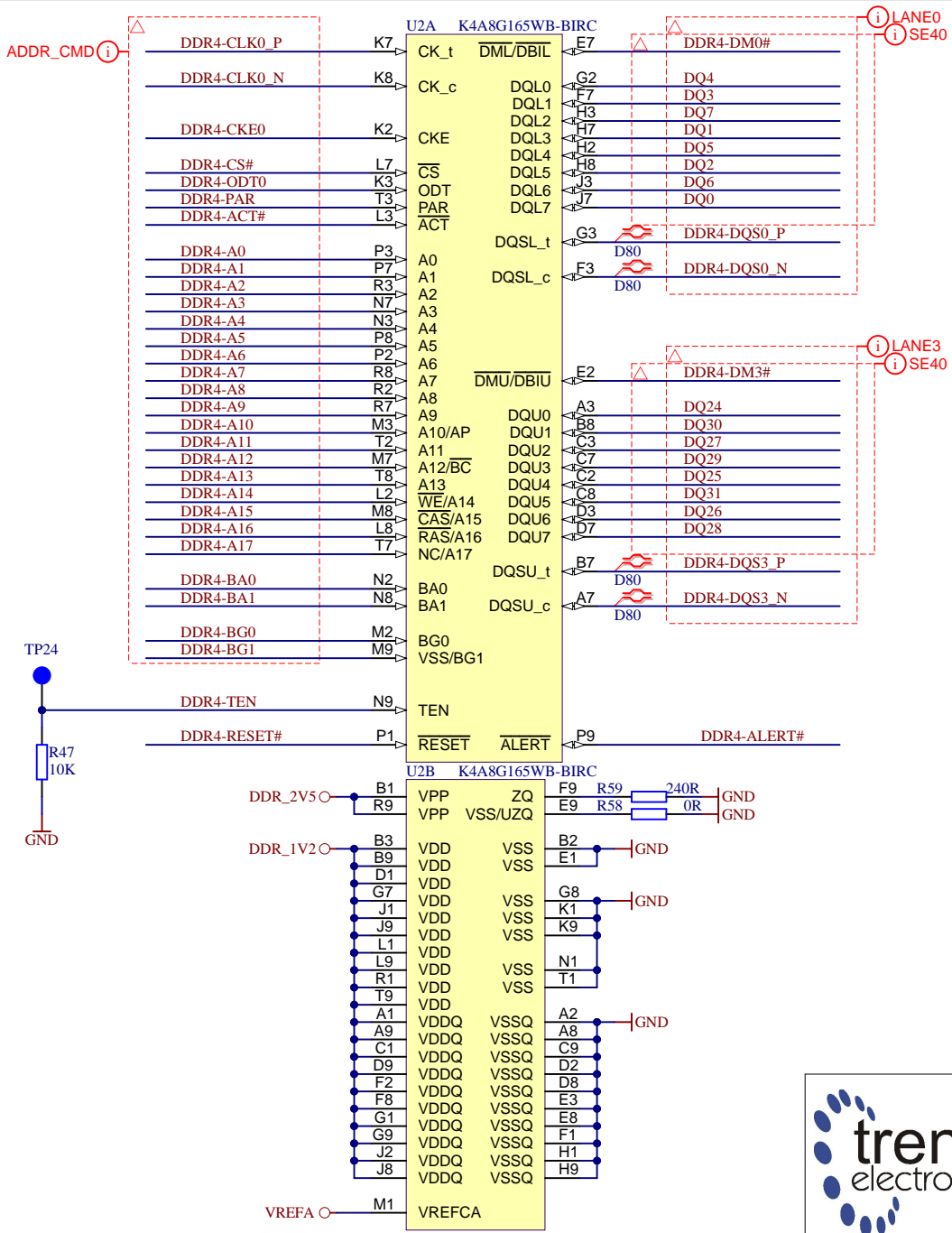

| Speedgrade | VCCINT |
|------------|--------|
| -1 | 0.85 V |
| -2 | 0.85 V |
| -3 | 0.9 V |

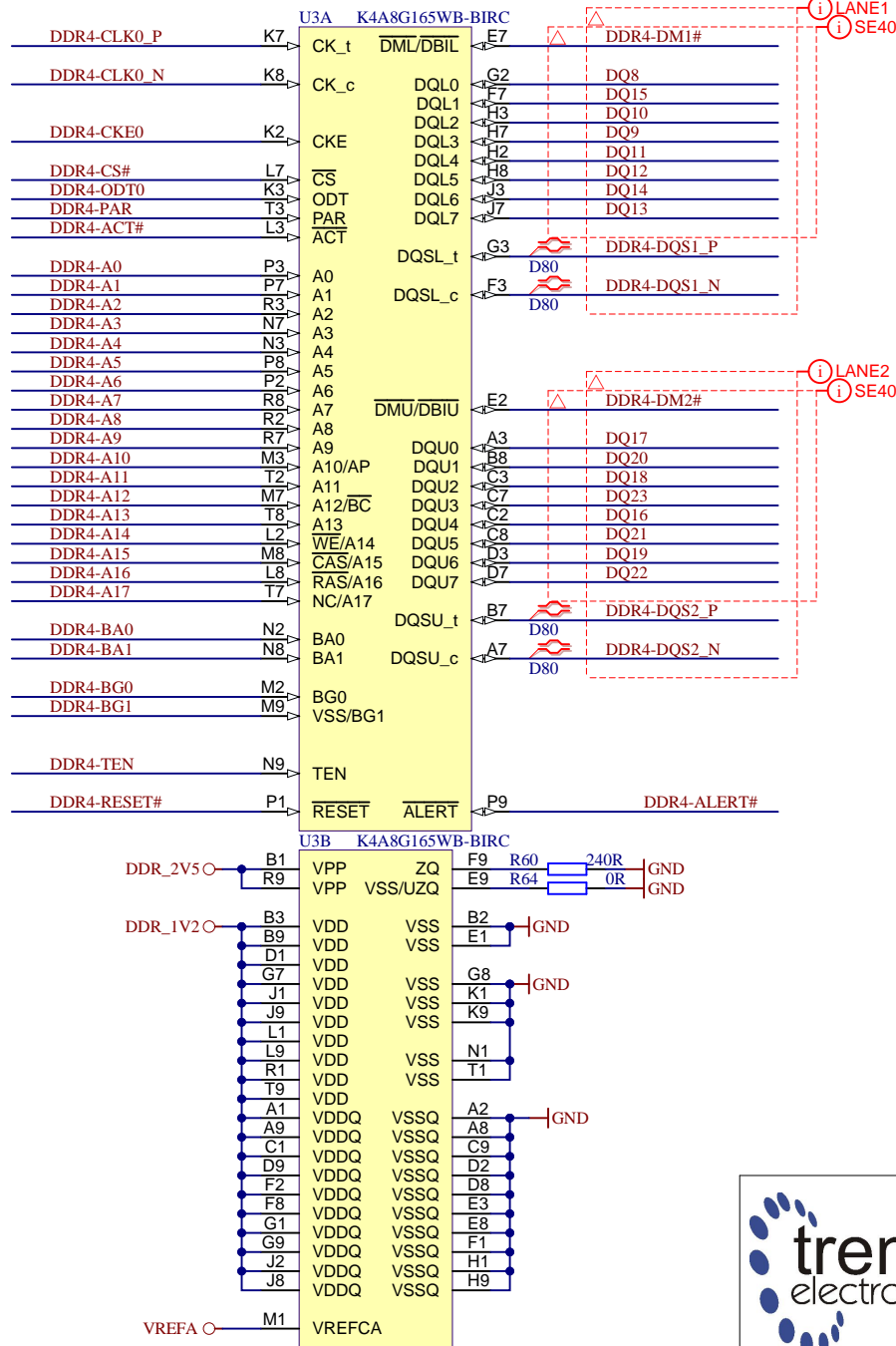

Title: AM0010 – ZU_POWER

| | | |
|------------------|----------------------------------|---------------|
| A4 | Number: ZU_POWER 3BE21MA | Rev. 02 |
| Date: 22.07.2022 | Copyright: Trenz Electronic GmbH | Page 16 of 30 |

Filename: ZU_POWER.SchDoc

| | | |
|---------------------------|----------------------------------|---------------|
| Title: AM0010 – DDR4-RAM | | |
| A4 | Number: DDR4-RAM 3BE21MA | Rev. 02 |
| Date: 22.07.2022 | Copyright: Trenz Electronic GmbH | Page 17 of 30 |
| Filename: DDR4-RAM.SchDoc | | |

| | | |
|-----------------------------|----------------------------------|---------------|
| Title: AM0010 – DDR4-RAM_2 | | |
| A4 | Number: DDR4-RAM_2 3BE21MA | Rev. 02 |
| Date: 22.07.2022 | Copyright: Trenz Electronic GmbH | Page 18 of 30 |
| Filename: DDR4-RAM_2.SchDoc | | |

A

A

B

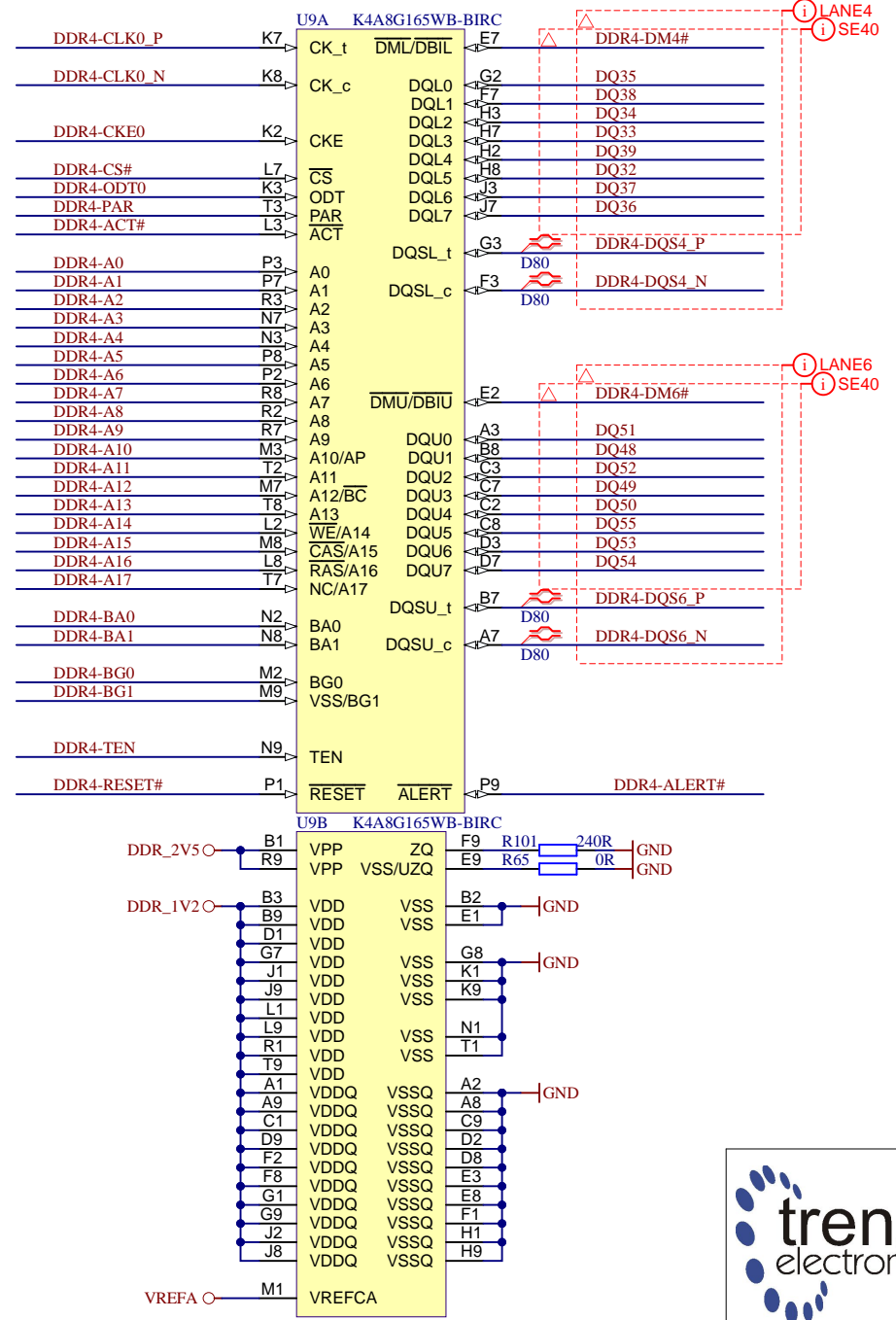

B

C

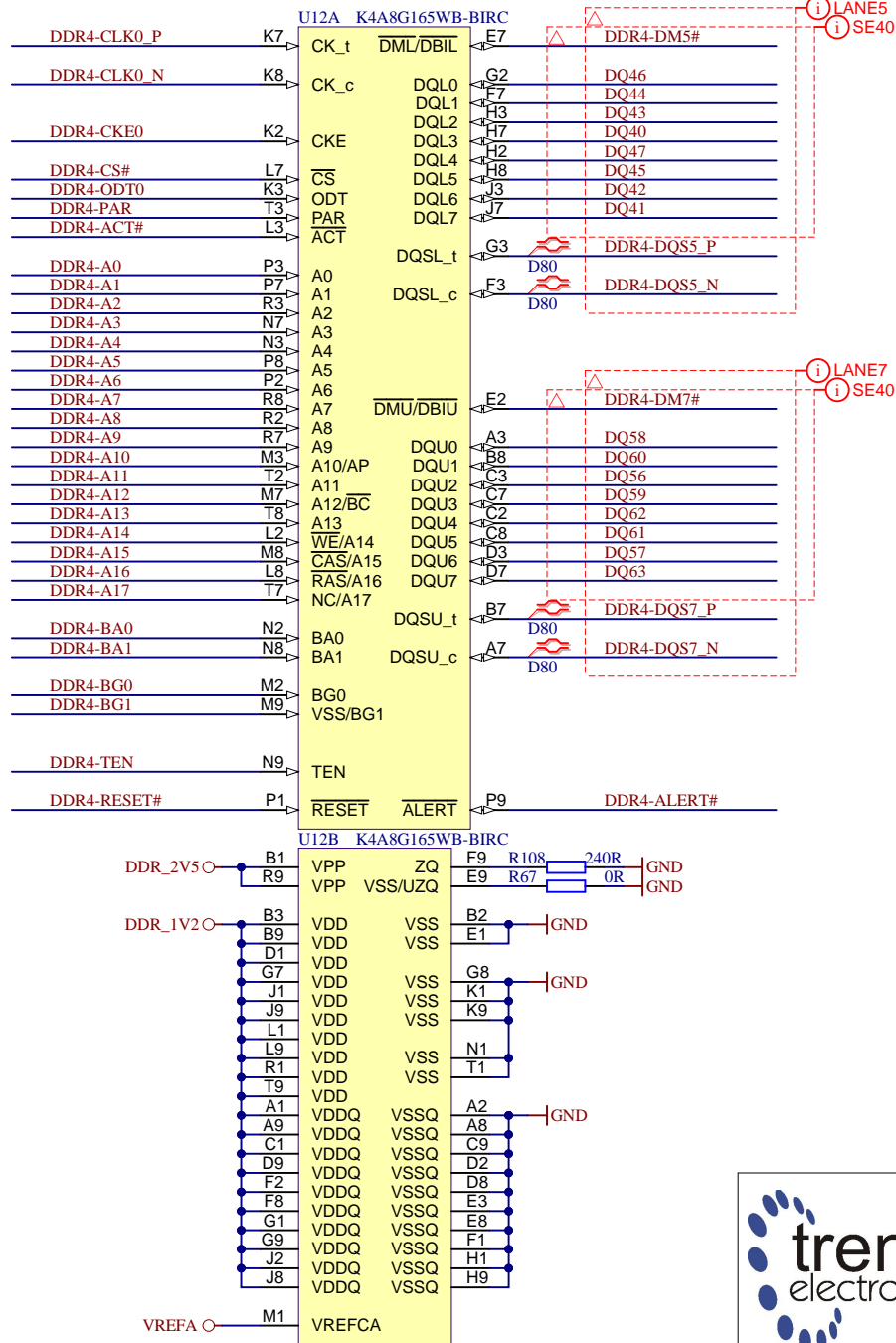
C


D

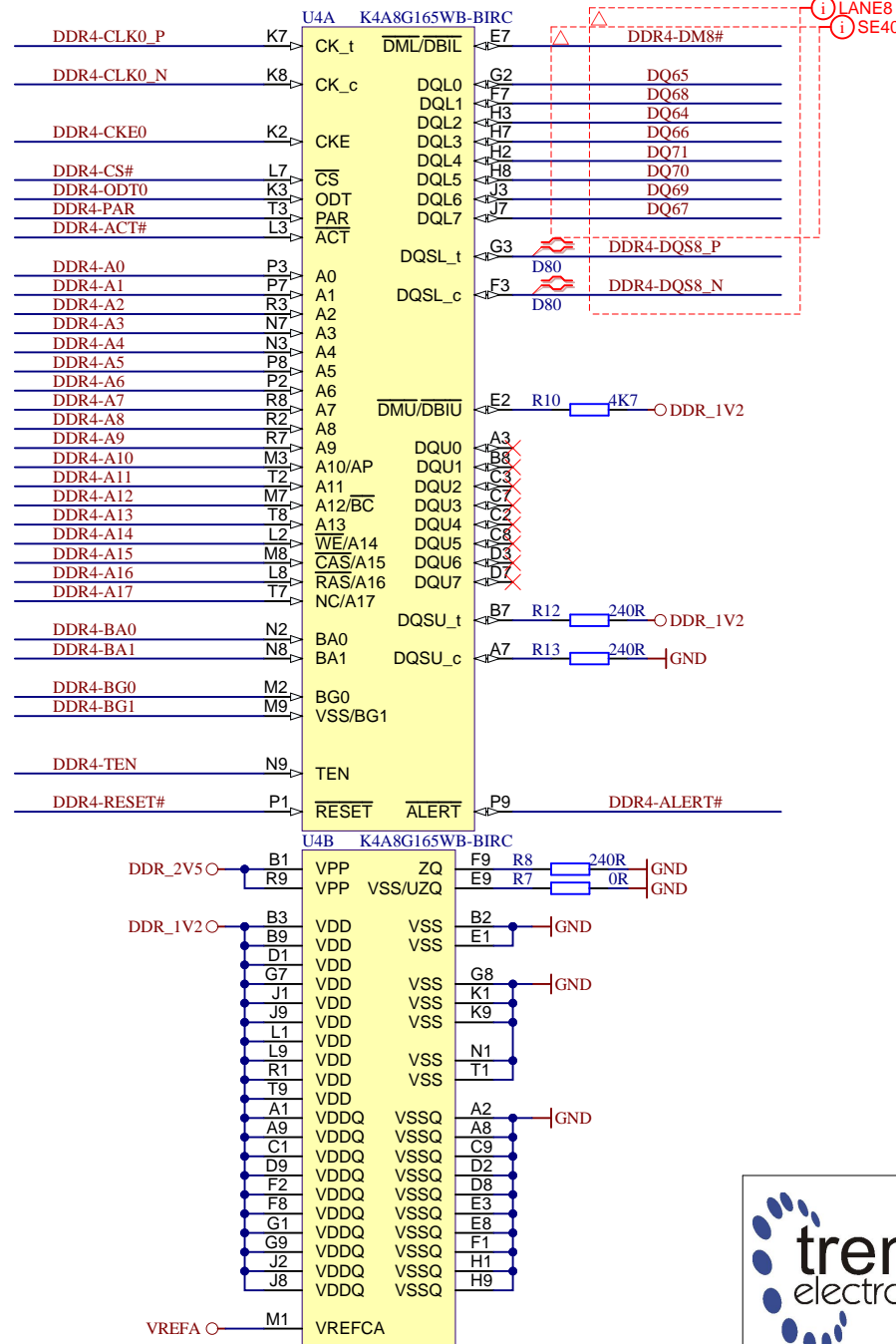
D

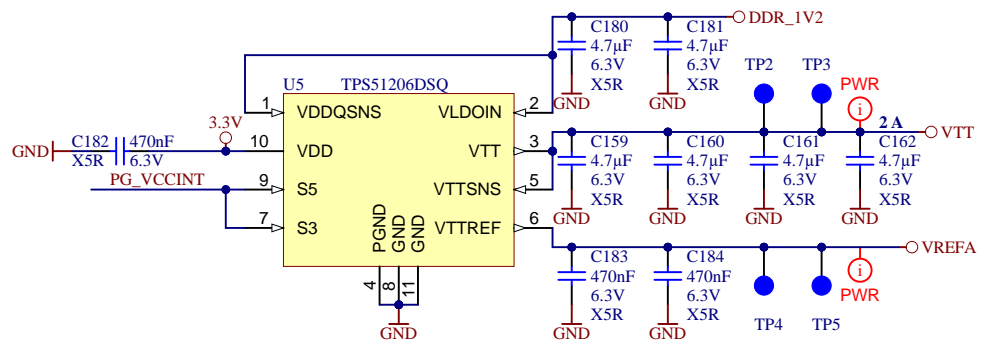
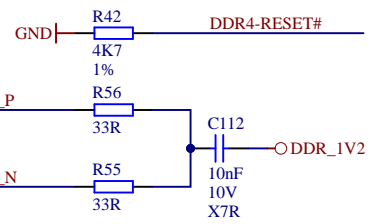
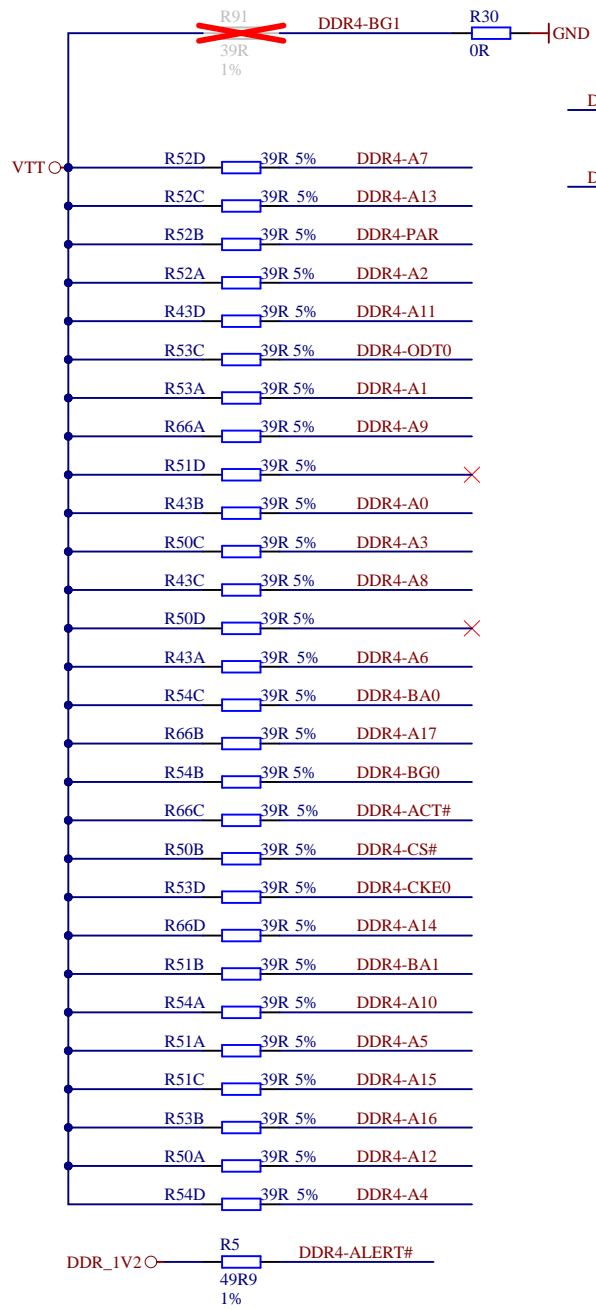
| | | |
|-----------------------------|----------------------------------|---------------|
| Title: AM0010 – DDR4-RAM_3 | | |
| A4 | Number: DDR4-RAM_3 3BE21MA | Rev. 02 |
| Date: 22.07.2022 | Copyright: Trenz Electronic GmbH | Page 19 of 30 |
| Filename: DDR4-RAM_3.SchDoc | | |



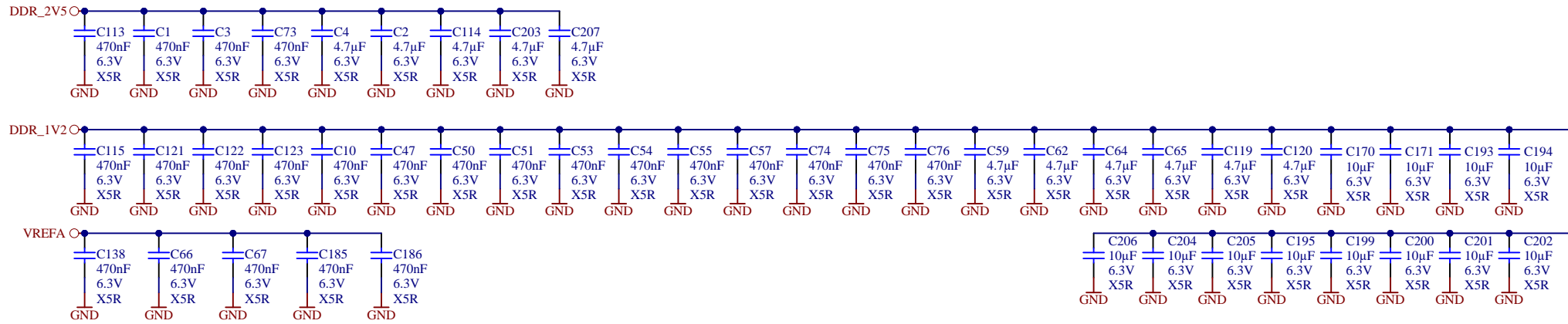
| | | | | |
|---------------------------------------------------------------------------------------|--|----------------------------------|----------------------------|-------------------------------|
|  | | | Title: AM0010 – DDR4-RAM_4 | |
| | | | A4 | Number: DDR4-RAM_4 3BE21MA |
| Date: 22.07.2022 | | Copyright: Trenz Electronic GmbH | | Page 20 of 30 |
| Filename: DDR4-RAM_4.SchDoc | | | | |




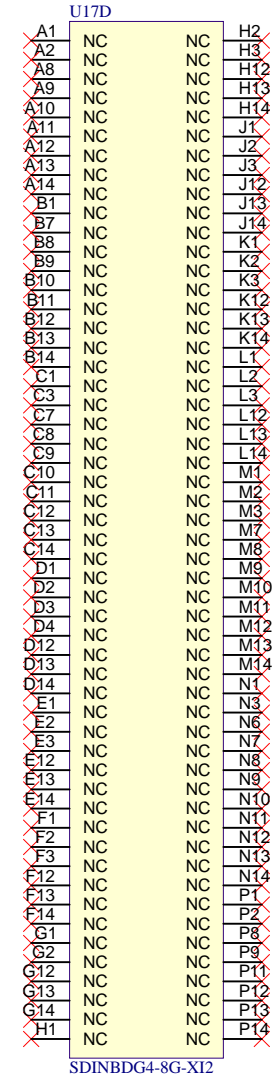
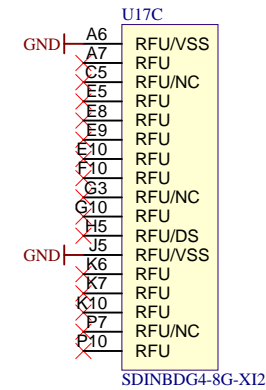
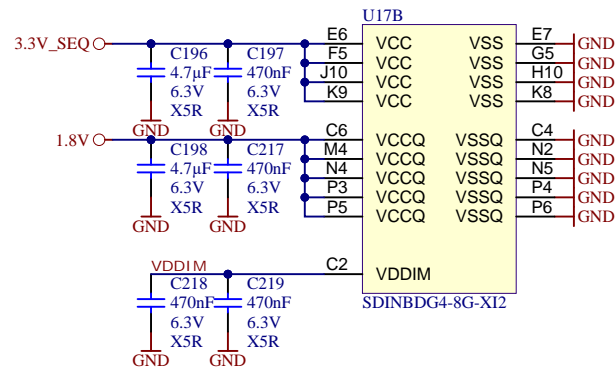
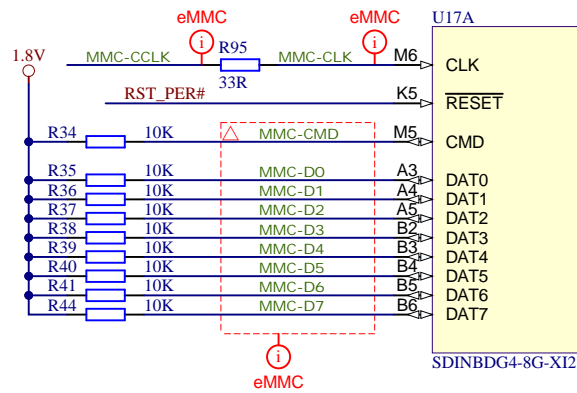
| | | |
|-----------------------------|----------------------------------|---------------|
| Title: AM0010 – DDR4-RAM_5 | | |
| A4 | Number: DDR4-RAM_5 3BE21MA | Rev. 02 |
| Date: 22.07.2022 | Copyright: Trenz Electronic GmbH | Page 21 of 30 |
| Filename: DDR4-RAM_5.SchDoc | | |



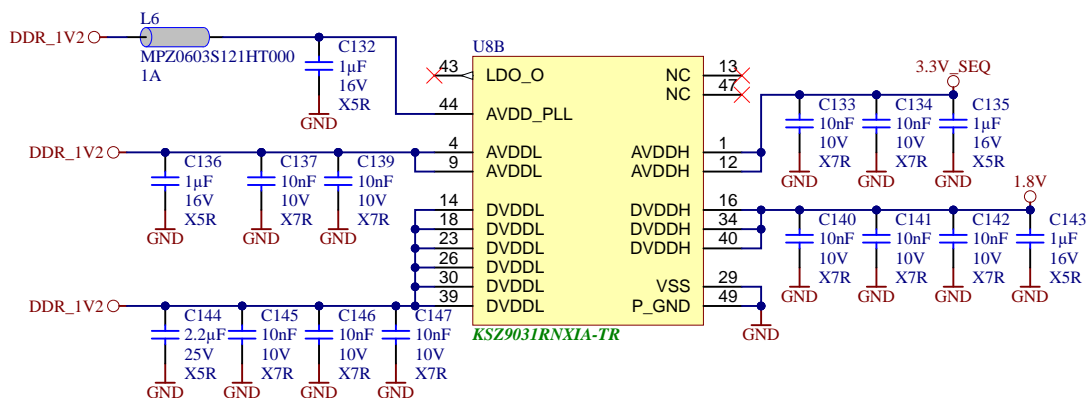
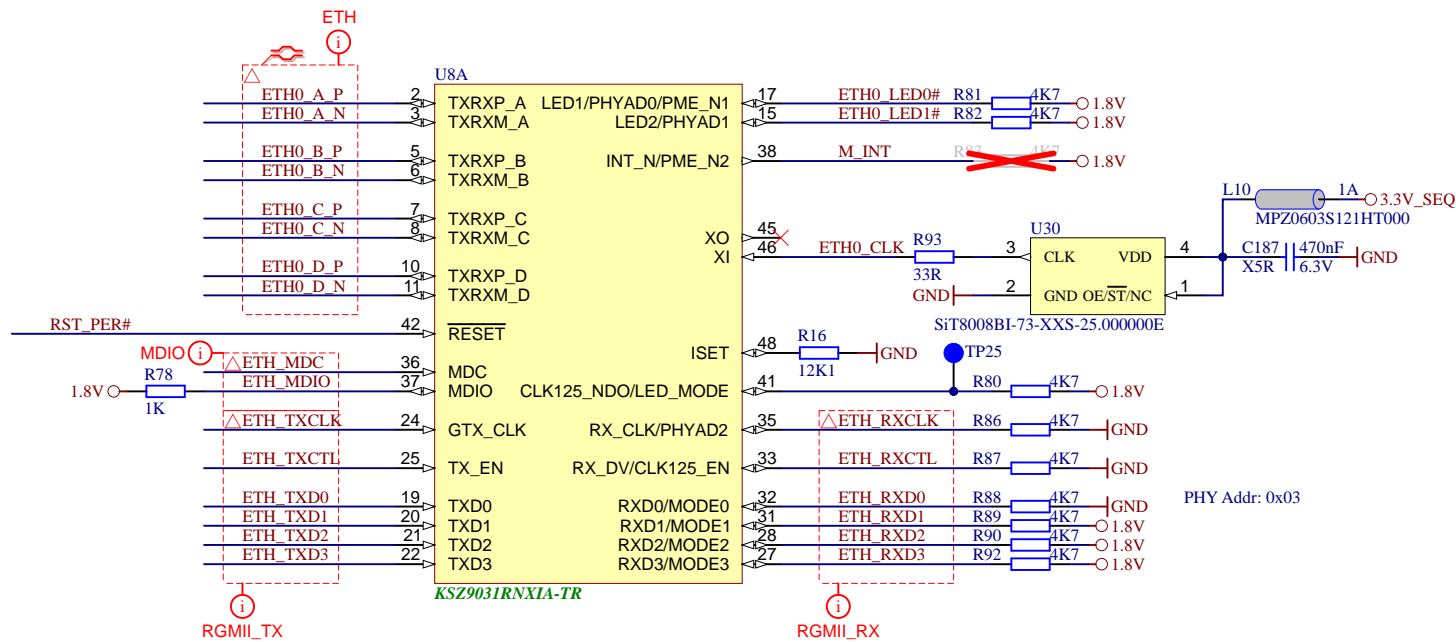
| | | |
|----------------------------|----------------------------------|---------------|
| Title: AM0010 – DDR4-TERM | | |
| A4 | Number: DDR4-TERM 3BE21MA | Rev. 02 |
| Date: 22.07.2022 | Copyright: Trenz Electronic GmbH | Page 22 of 30 |
| Filename: DDR4-TERM.SchDoc | | |



| | | | |
|---------------------------------------------------------------------------------------|----------------------------|----------------------------------|---------------|
|  | Title: AM0010 – DDR4-CAPS | | |
| | A4 | Number: DDR4-CAPS 3BE21MA | Rev. 02 |
| | Date: 22.07.2022 | Copyright: Trenz Electronic GmbH | Page 23 of 30 |
| | Filename: DDR4-CAPS.SchDoc | | |



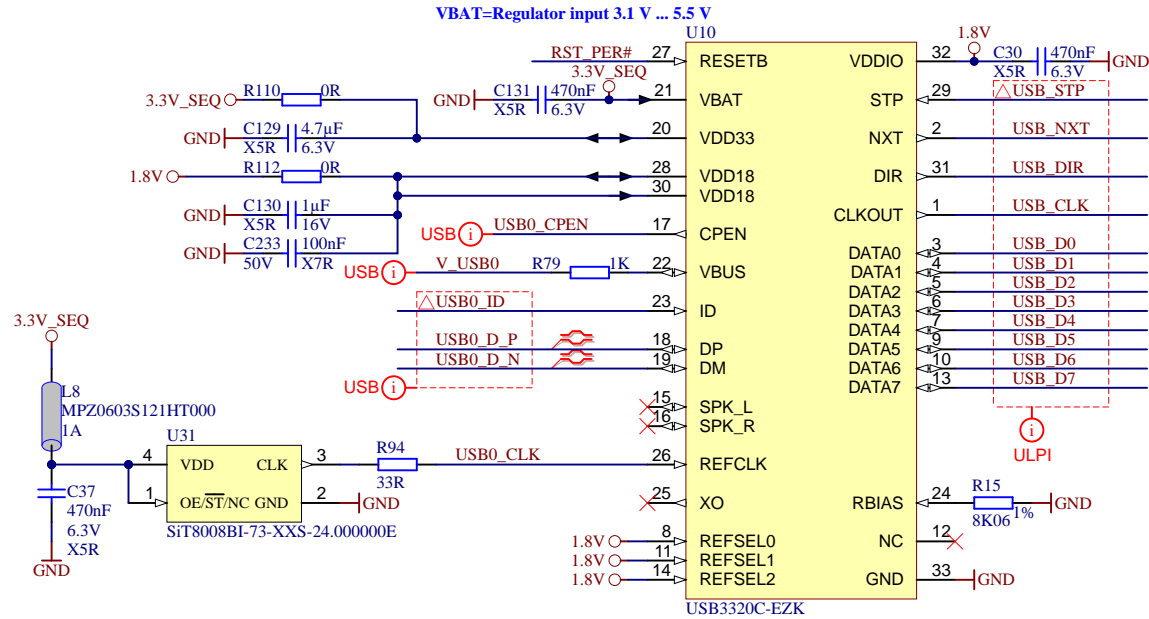
| | | | |
|--|-----------------------|----------------------------------|---------------|
| | Title: AM0010 – eMMC | | |
| | A4 | Number: eMMC 3BE21MA | Rev. 02 |
| | Date: 22.07.2022 | Copyright: Trenz Electronic GmbH | Page 24 of 30 |
| | Filename: eMMC.SchDoc | | |



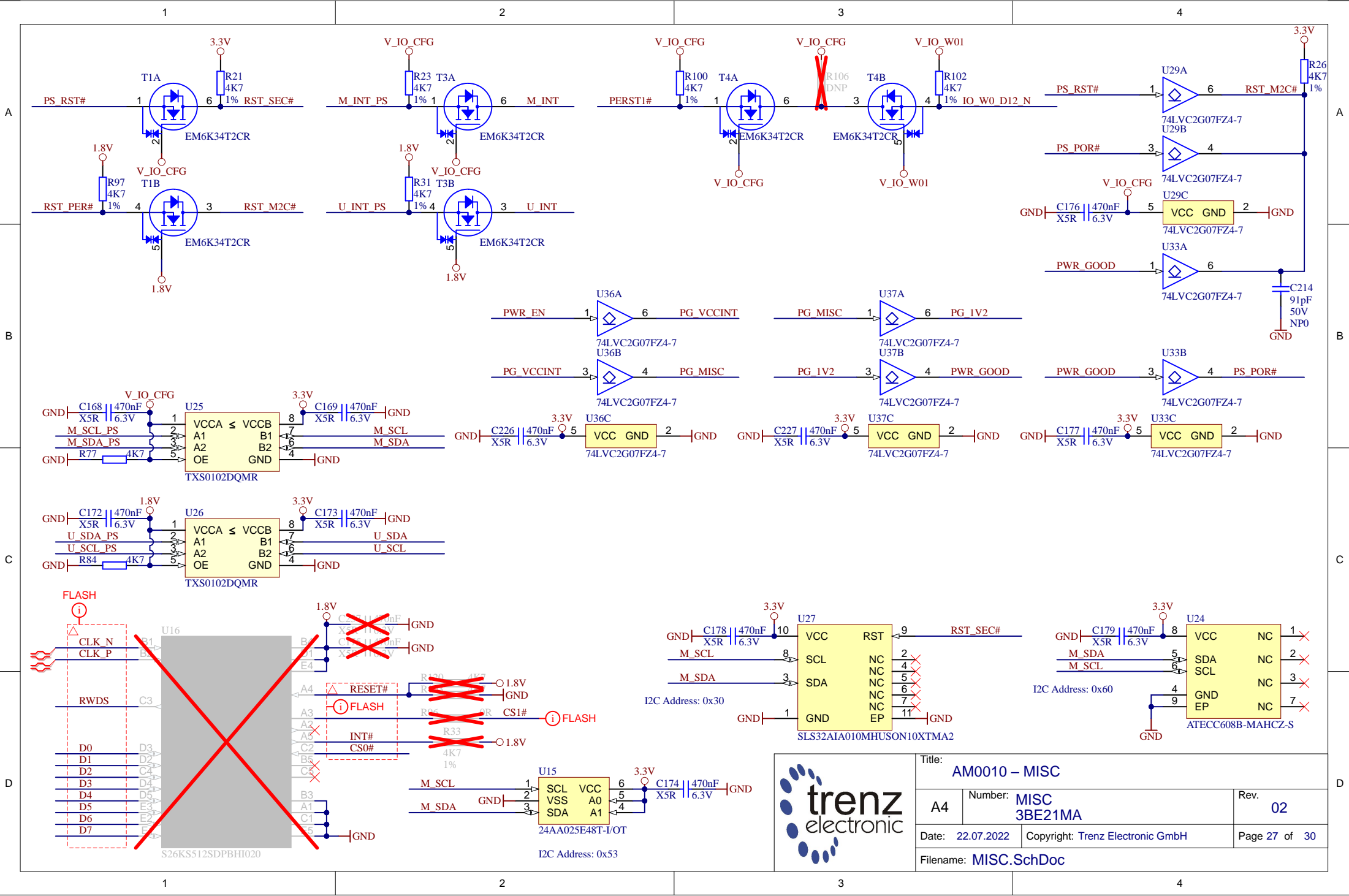
| | | | |
|--|-------------------------|----------------------------------|---------------|
| | Title: AM0010 – ETHPHY | | |
| | A4 | Number: ETHPHY 3BE21MA | Rev. 02 |
| | Date: 22.07.2022 | Copyright: Trenz Electronic GmbH | Page 25 of 30 |
| | Filename: ETHPHY.SchDoc | | |

Modify variants!

| | USB3320 | USB3340 |
|------|---------|---------|
| R110 | 0R | DNP |
| R112 | 0R | DNP |
| C129 | 4.7 μF | 1 μF |
| C233 | 0.1 μF | 1 μF |



| | | |
|-------------------------|------------------------|----------------------------------|
| | Title: AM0010 – USBPHY | |
| | A4 | Number: USBPHY 3BE21MA |
| | Date: 22.07.2022 | Rev. 02 |
| | Page 26 of 30 | |
| Filename: USBPHY.SchDoc | | Copyright: Trenz Electronic GmbH |



| | | |
|-----------------------|----------------------------------|---------|
| Title: AM0010 – MISC | | |
| A4 | Number: MISC 3BE21MA | Rev. 02 |
| Date: 22.07.2022 | Copyright: Trenz Electronic GmbH | |
| Page 27 of 30 | | |
| Filename: MISC.SchDoc | | |

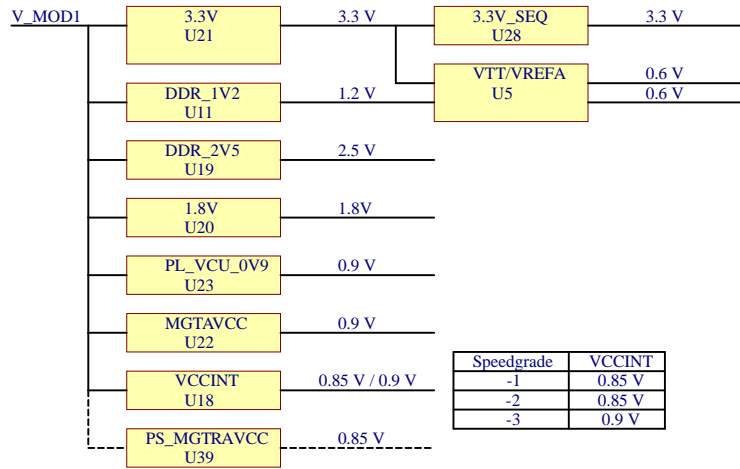
1

2

3

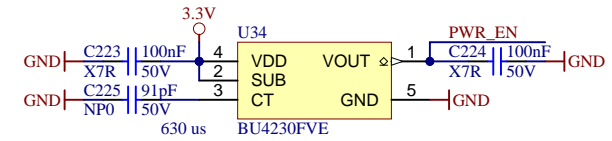
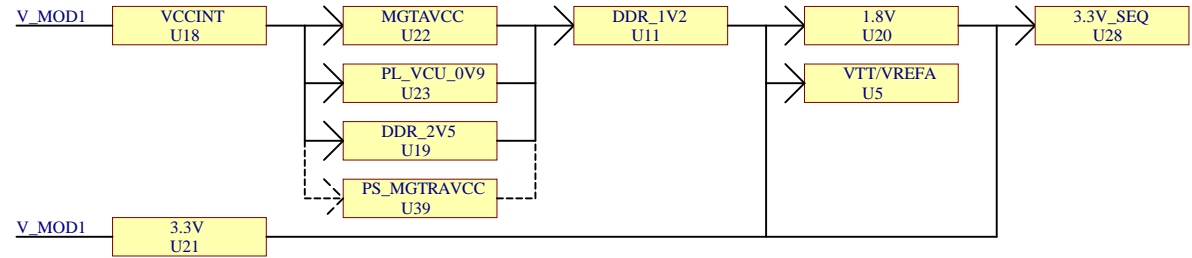
4

Power Supply Structure



| Speedgrade | VCCINT |
|------------|--------|
| -1 | 0.85 V |
| -2 | 0.85 V |
| -3 | 0.9 V |

Power Supply Sequencing



A

A

B

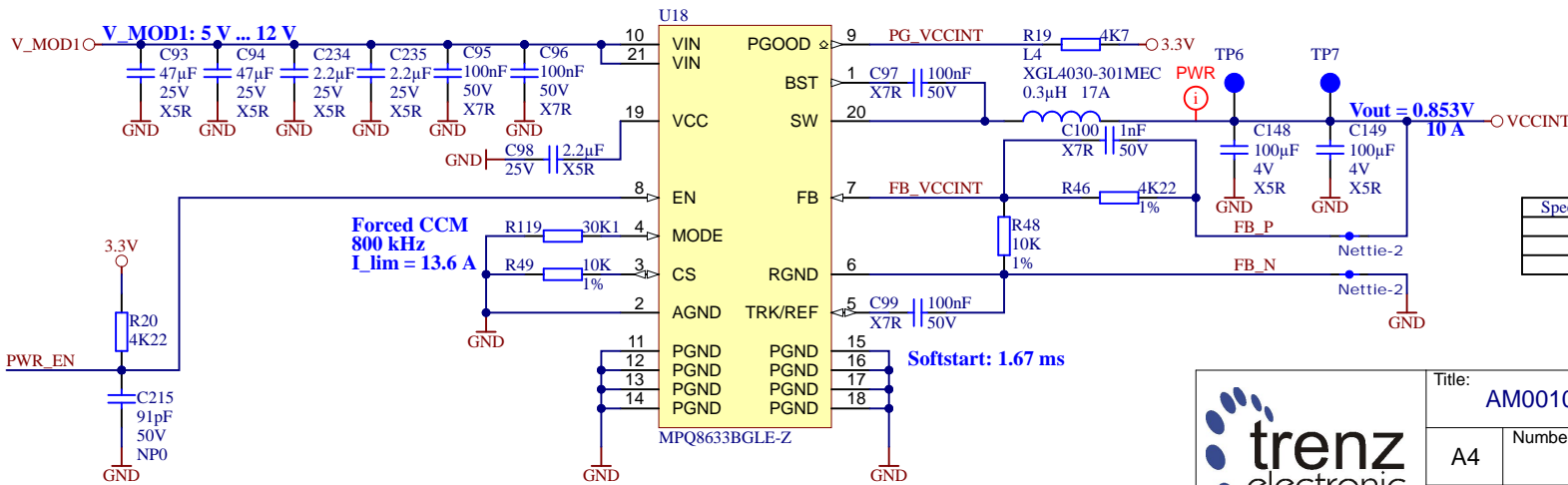
B

C

C

D

D



| Speedgrade | R46 | R48 | C100 | VCCINT |
|------------|------|-----|--------|---------|
| -1 | 4K22 | 10K | 1 nF | 0.853 V |
| -2 | 4K22 | 10K | 1 nF | 0.853 V |
| -3 | 10K | 20K | 680 pF | 0.900 V |



| | | |
|--------------------------|----------------------------------|---------------|
| Title: AM0010 - POWER_1 | | |
| A4 | Number: POWER_1 3BE21MA | Rev. 02 |
| Date: 02.09.2022 | Copyright: Trenz Electronic GmbH | Page 28 of 30 |
| Filename: POWER_1.SchDoc | | |

1

2

3

4

A

A

B

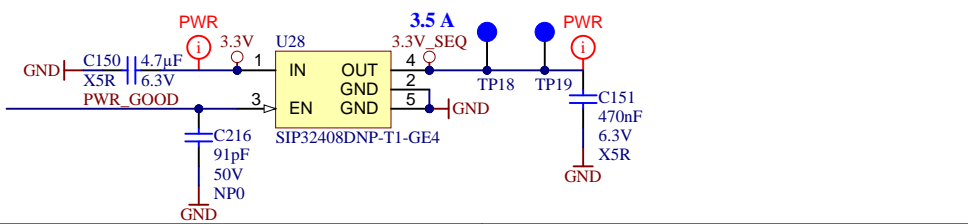
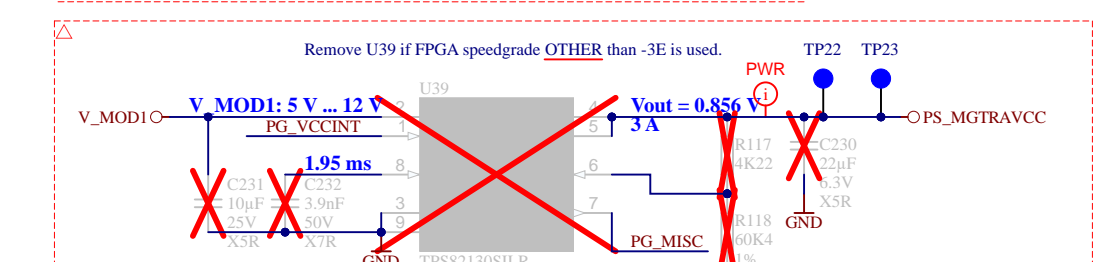
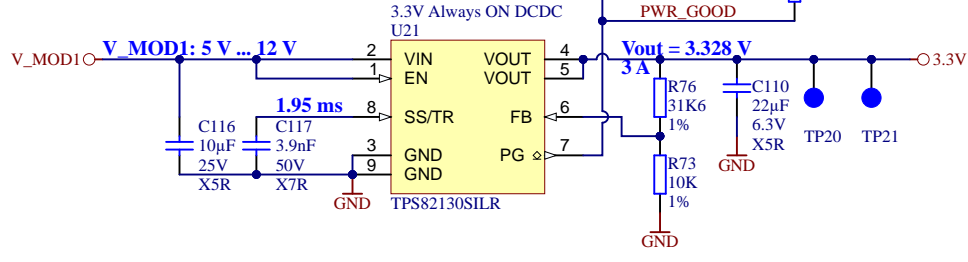
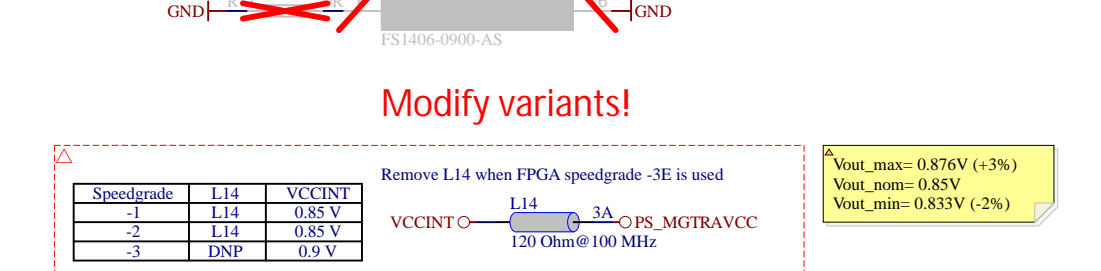
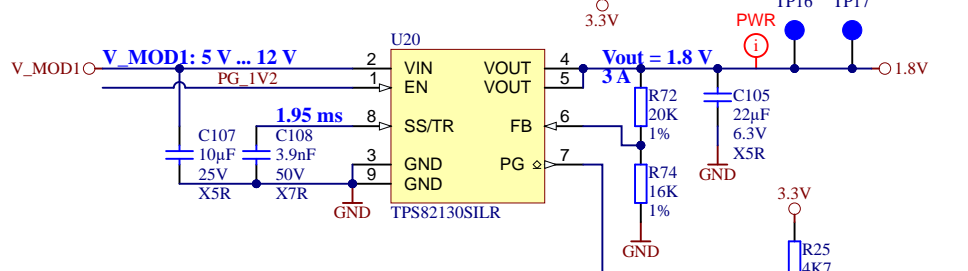
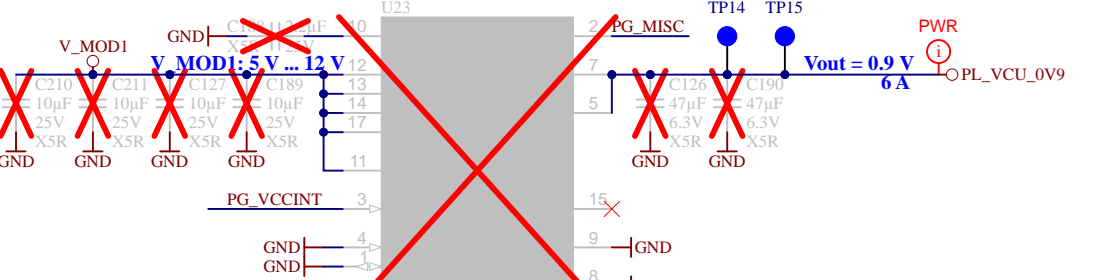
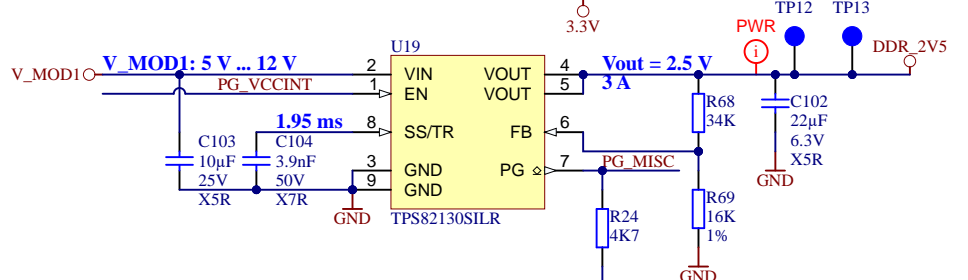
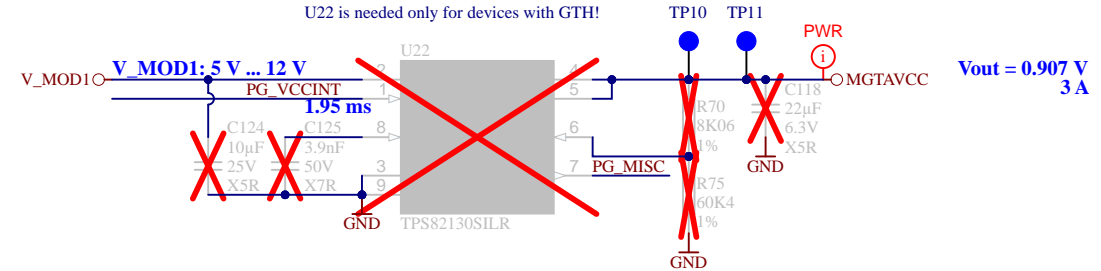
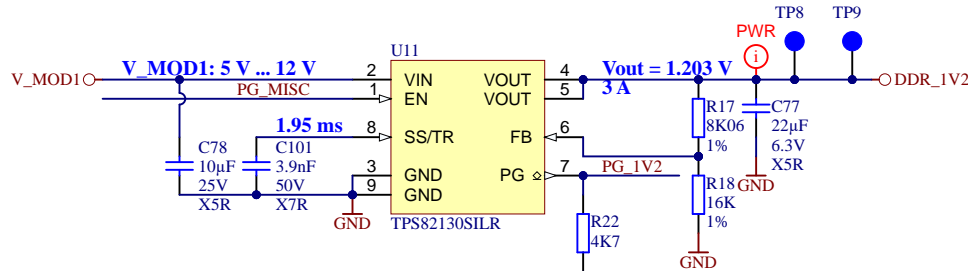
B

C

C

D

D



Modify variants!

Remove L14 when FPGA speedgrade -3E is used

| Speedgrade | L14 | VCCINT |
|------------|-----|--------|
| -1 | L14 | 0.85 V |
| -2 | L14 | 0.85 V |
| -3 | DNP | 0.9 V |

VCCINT — L14 (3A, 120 Ohm@100 MHz) — PS_MGTRAVCC

Vout_max = 0.876V (+3%)
 Vout_nom = 0.85V
 Vout_min = 0.833V (-2%)

Remove U39 if FPGA speedgrade OTHER than -3E is used.



| | | |
|--------------------------|----------------------------------|---------------|
| Title: AM0010 – POWER_2 | | |
| A4 | Number: POWER_2 3BE21MA | Rev. 02 |
| Date: 22.07.2022 | Copyright: Trenz Electronic GmbH | Page 29 of 30 |
| Filename: POWER_2.SchDoc | | |

