

1

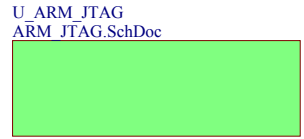
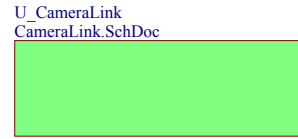
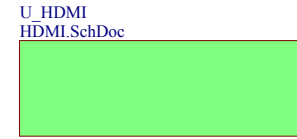
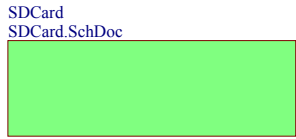
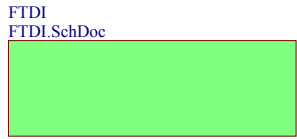
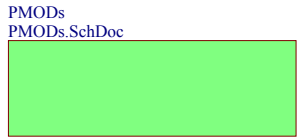
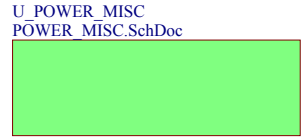
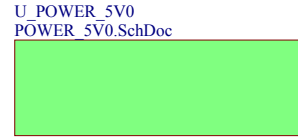
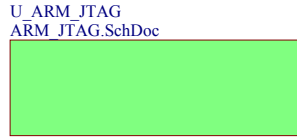
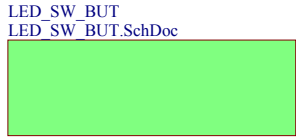
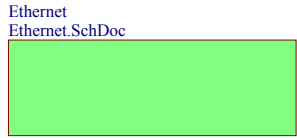
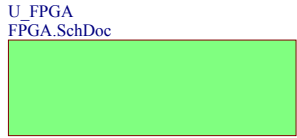
2

3

4

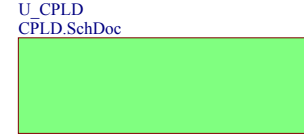
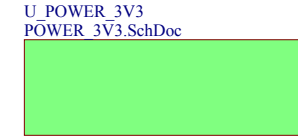
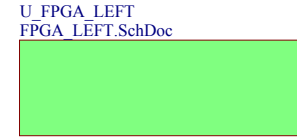
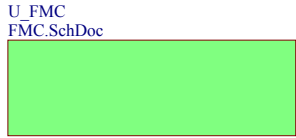
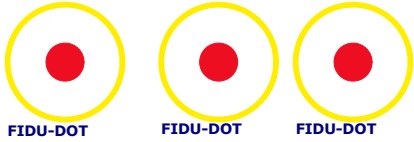
A

A



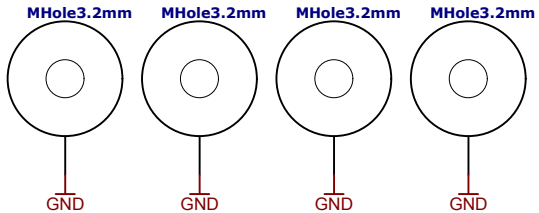
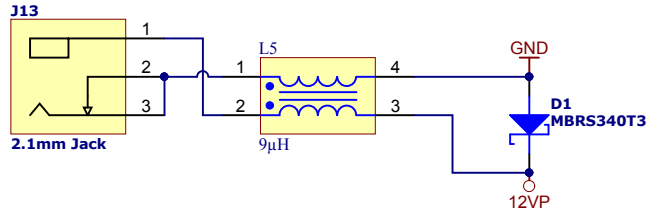
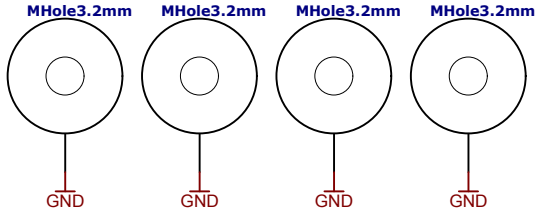
B

B



C

C



D

D

	Title: TE0701		
	A4	Number: TE0701 [No Variations]	Rev. 02
	Date: 2013-5-7	Copyright: Trenz Electronic GmbH	Page1 of 16
	Filename: 00.SchDoc		

1

2

3

4

1

2

3

4

A

A

B

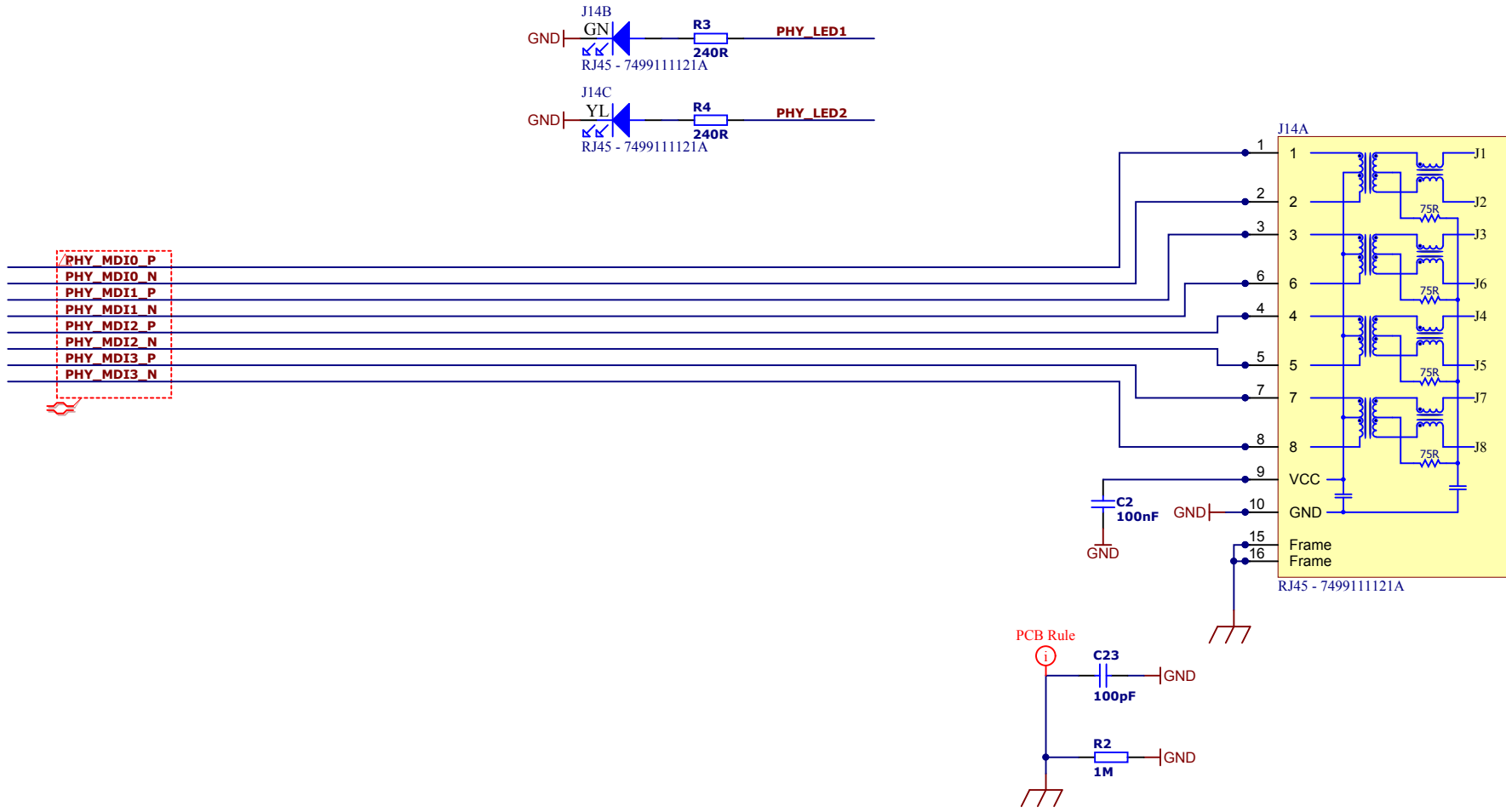
B

C

C

D

D



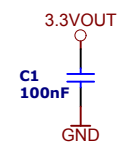
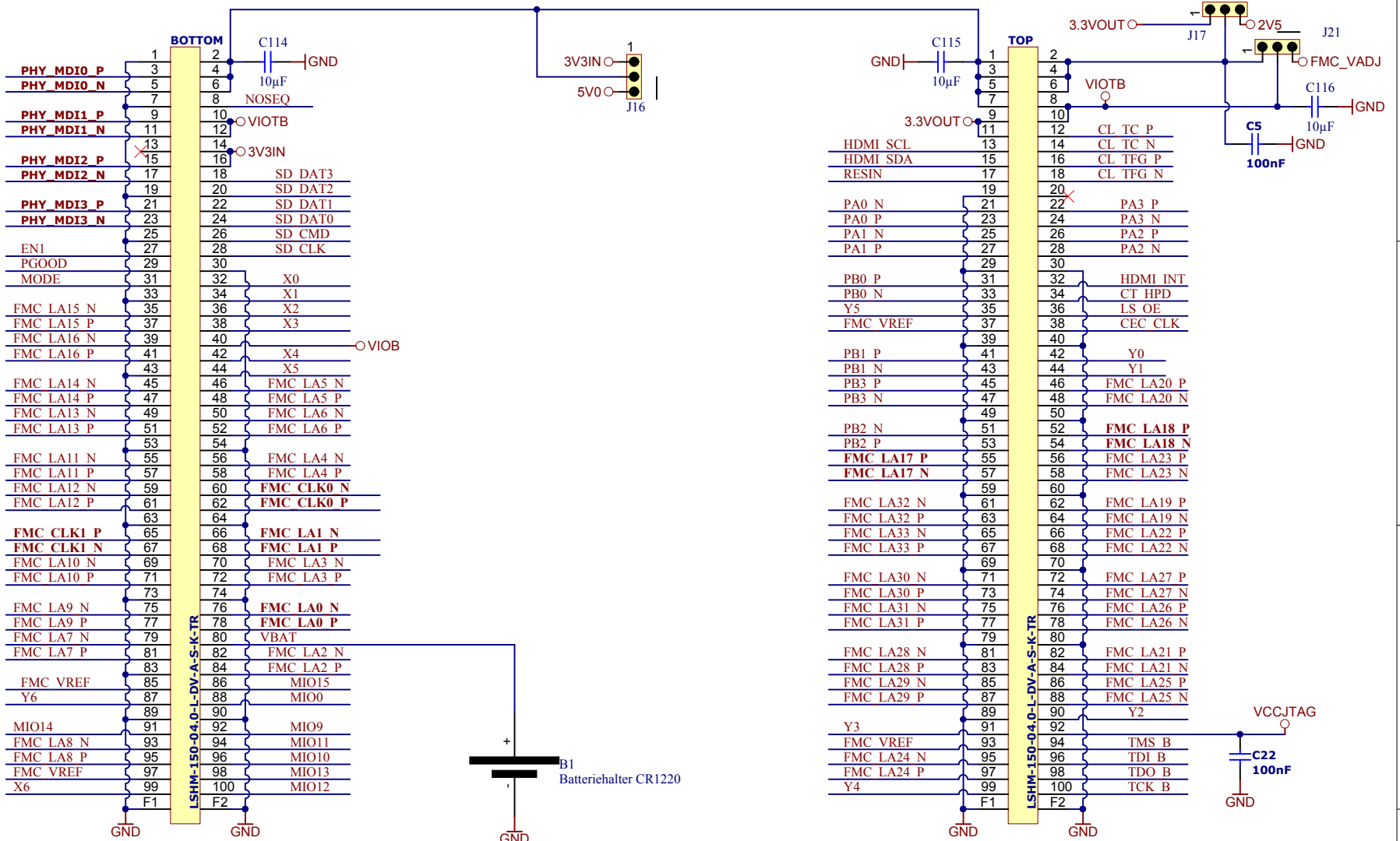
Title: TE0701		
A4	Nummer: TE0701 [No Variations]	Rev. 02
Datum: 2013-5-7	Zeichner: Trenz Electronic GmbH	Blatt 2 von 16
Filename: Ethernet.SchDoc		

1

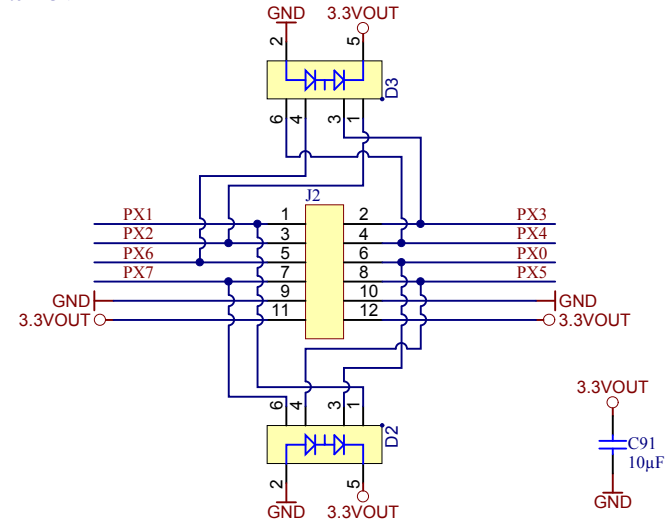
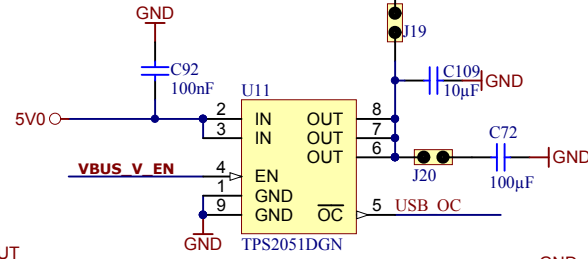
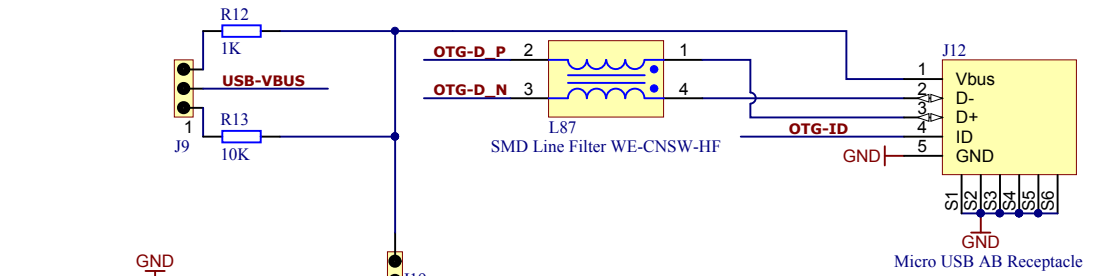
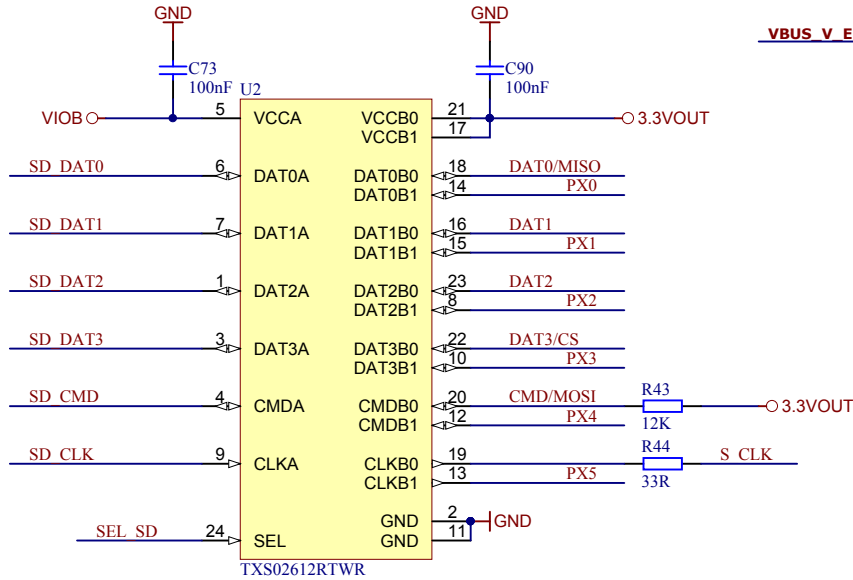
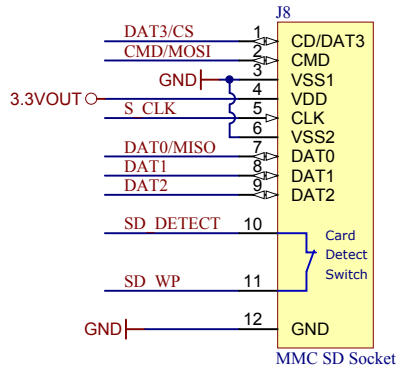
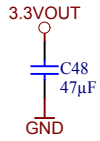
2

3

4



Title: TE0701		
A4	Number: TE0701 [No Variations]	Rev. 02
Date: 2013-5-7	Copyright: Trenz Electronic GmbH	Page3 of 16
Filename: FPGA.SchDoc		



	Title: TE0701 - SD Card		
	A4	Number: TE0701 [No Variations]	Rev. 02
	Date: 2013-5-7	Copyright: Trenz Electronic GmbH	Page4 of 16
	Filename: SDCard.SchDoc		

1

2

3

4

A

A

B

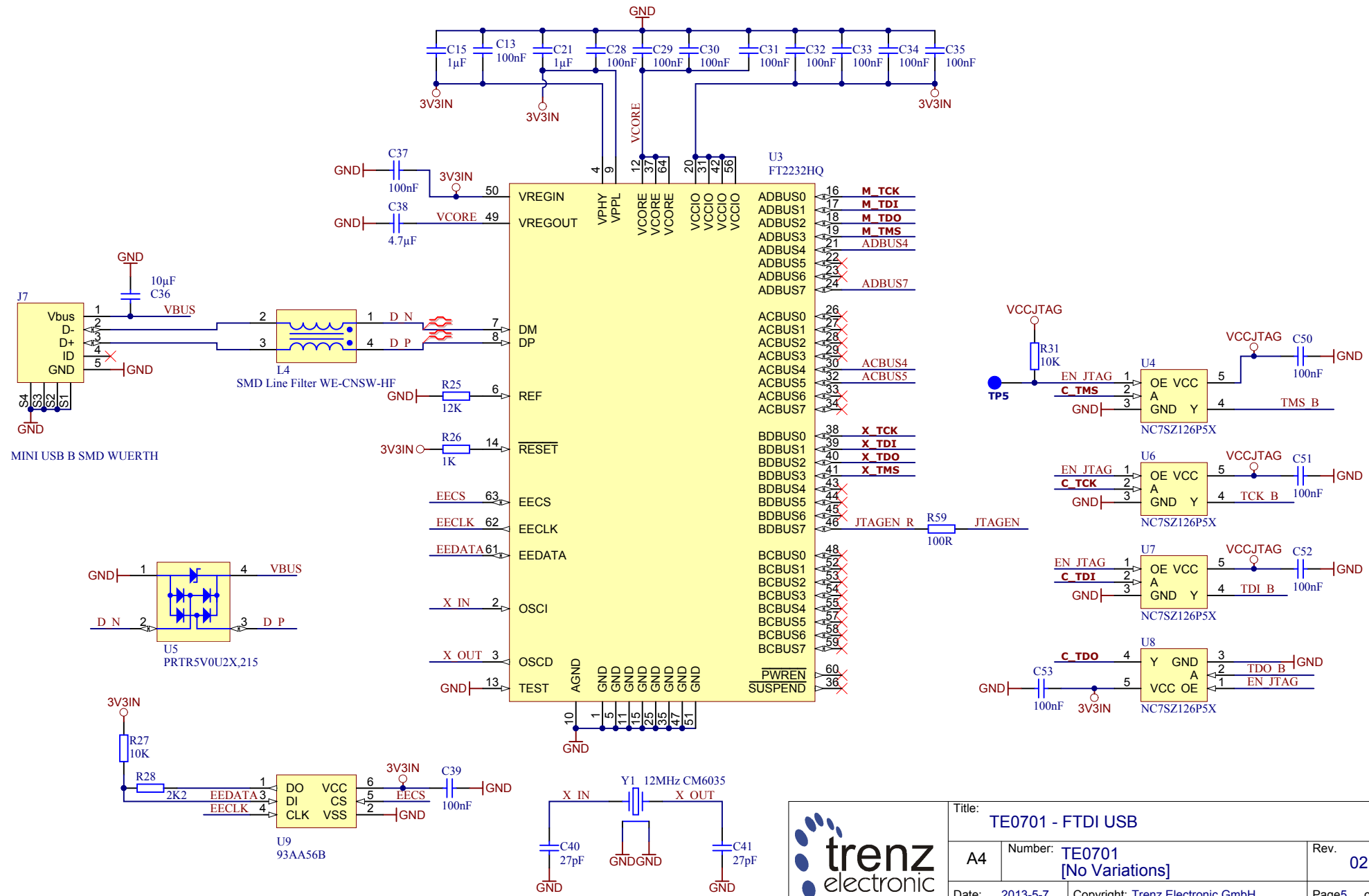
B

C

C

D

D



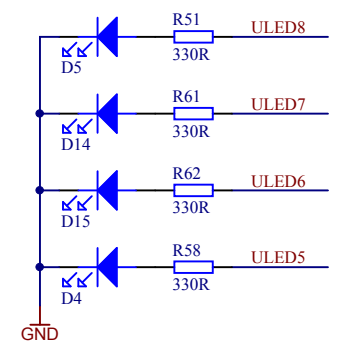
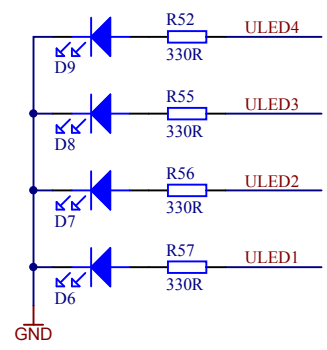
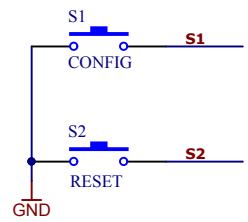
Title: TE0701 - FTDI USB		
A4	Number: TE0701 [No Variations]	Rev. 02
Date: 2013-5-7	Copyright: Trenz Electronic GmbH	Page5 of 16
Filename: FTDI.SchDoc		


1

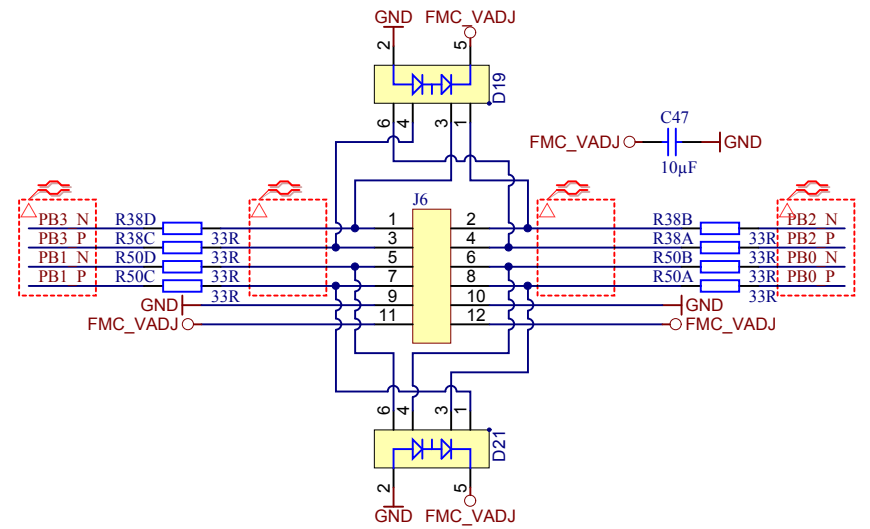
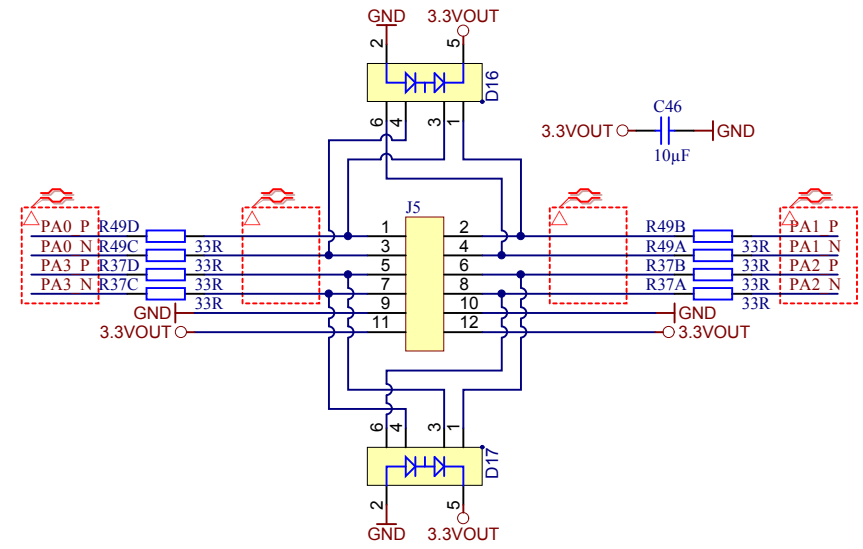
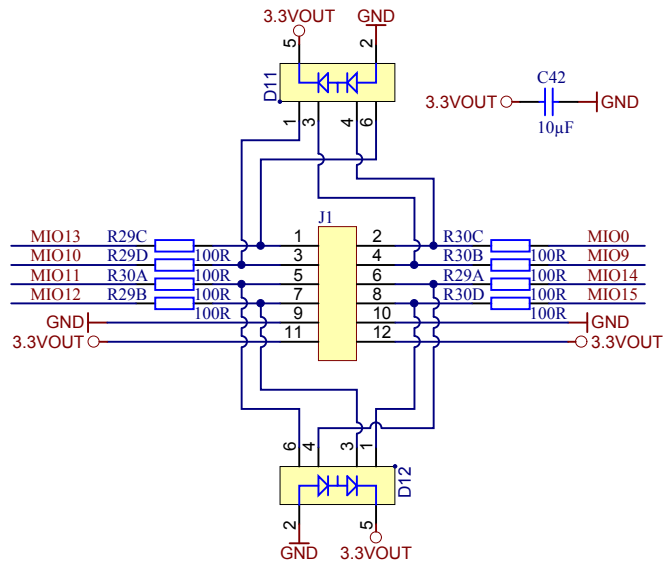
2

3

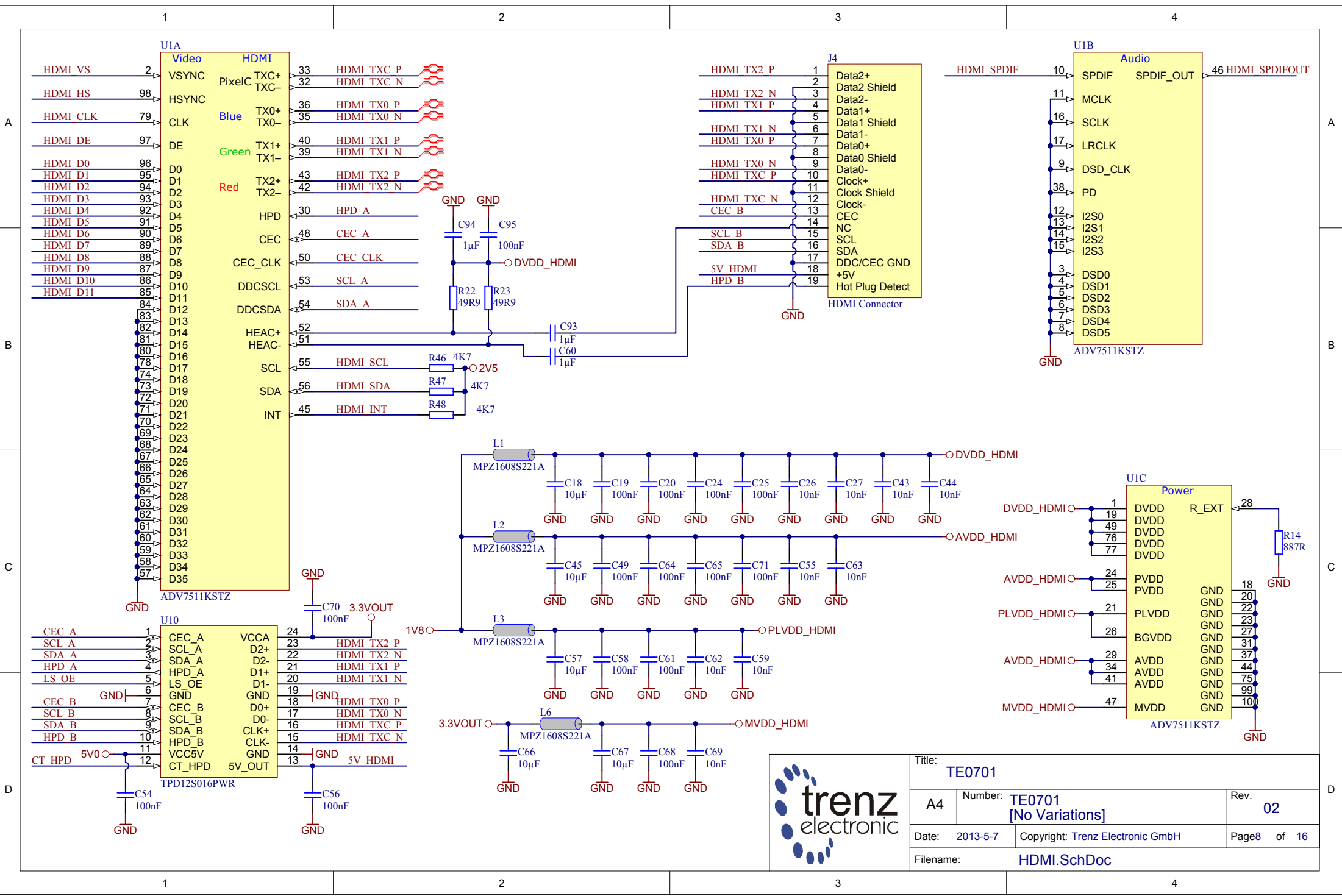
4



	Title: TE0701		
	A4	Number: TE0701 [No Variations]	Rev. 02
	Date: 2013-5-7	Copyright: Trenz Electronic GmbH	Page6 of 16
	Filename: LED_SW_BUT.SchDoc		



Title: TE0701		
A4	Number: TE0701 [No Variations]	Rev. 02
Date: 2013-5-7	Copyright: Trenz Electronic GmbH	Page7 of 16
Filename: PMODs.SchDoc		



Title: TE0701		
A4	Number: TE0701 [No Variations]	Rev. 02
Date: 2013-5-7	Copyright: Trenz Electronic GmbH	Page8 of 16
Filename: HDMI.SchDoc		

1

2

3

4

A

A

B

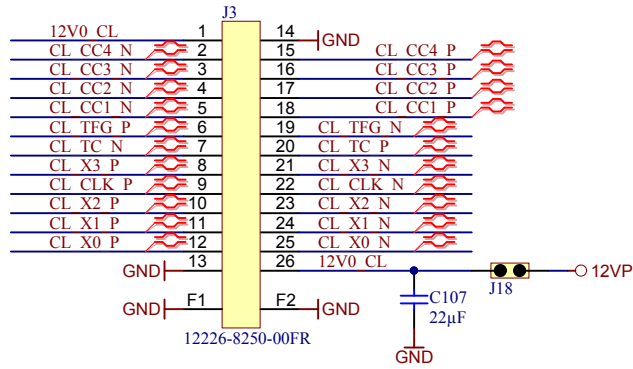
B


C

C

D

D



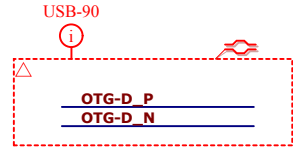
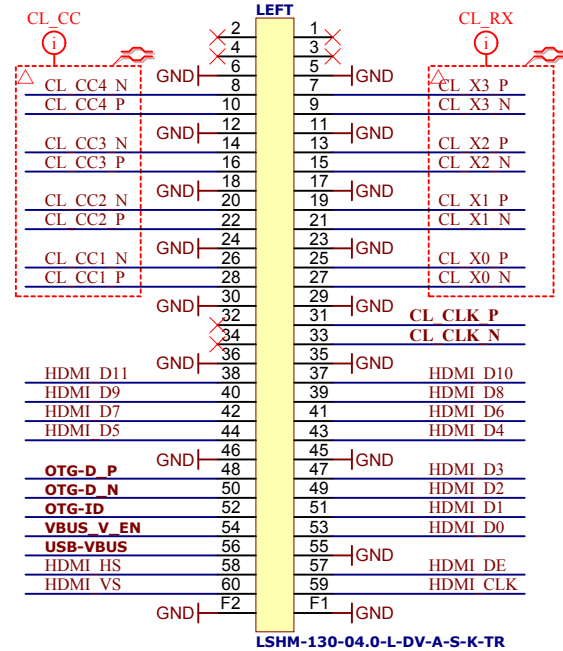
	Title: TE0701		
	A4	Number: TE0701 [No Variations]	Rev. 02
	Date: 2013-5-7	Copyright: Trenz Electronic GmbH	Page9 of 16
	Filename: CameraLink.SchDoc		

1

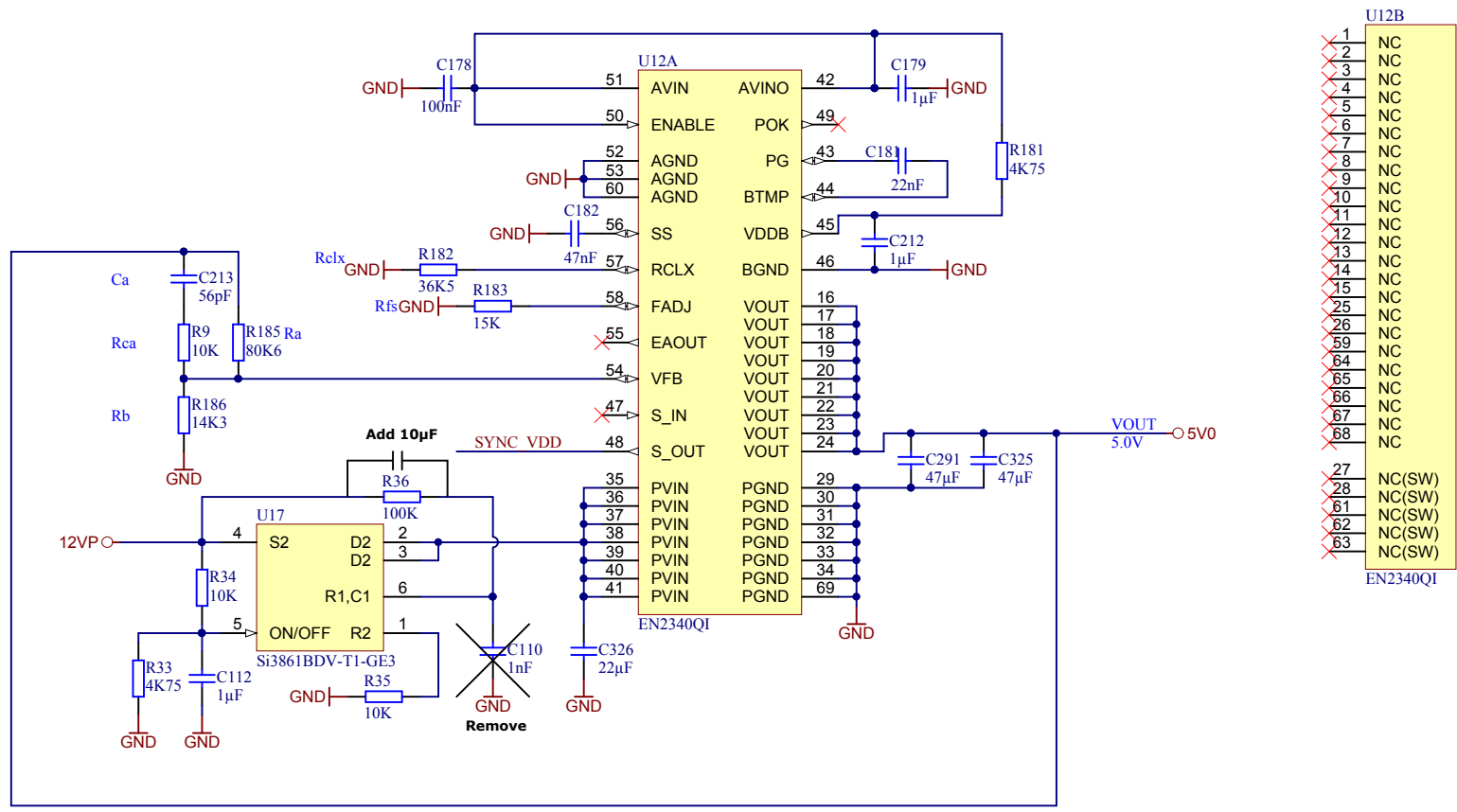
2

3

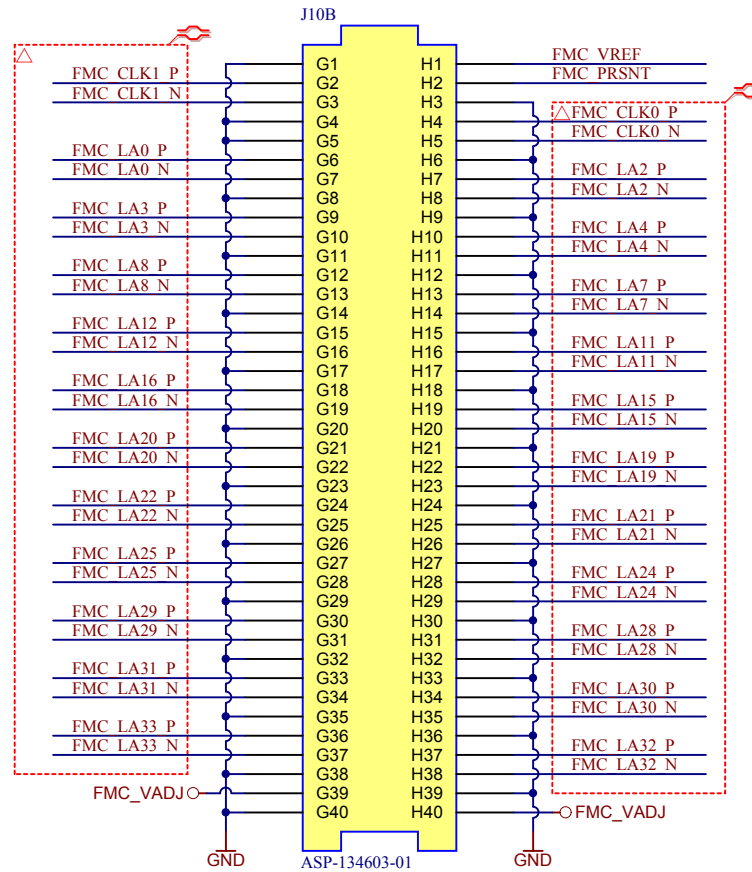
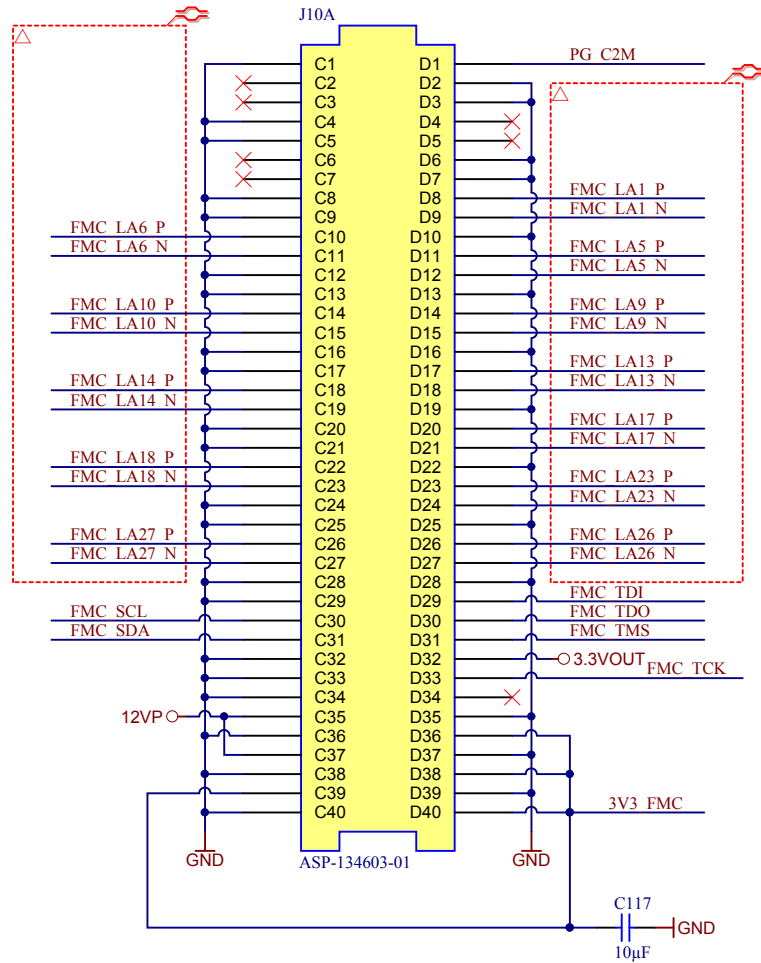
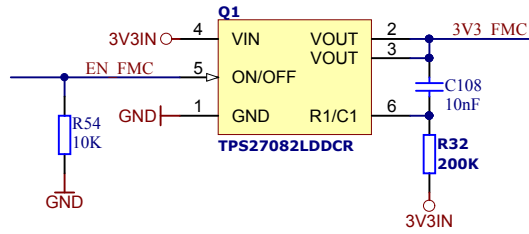

4



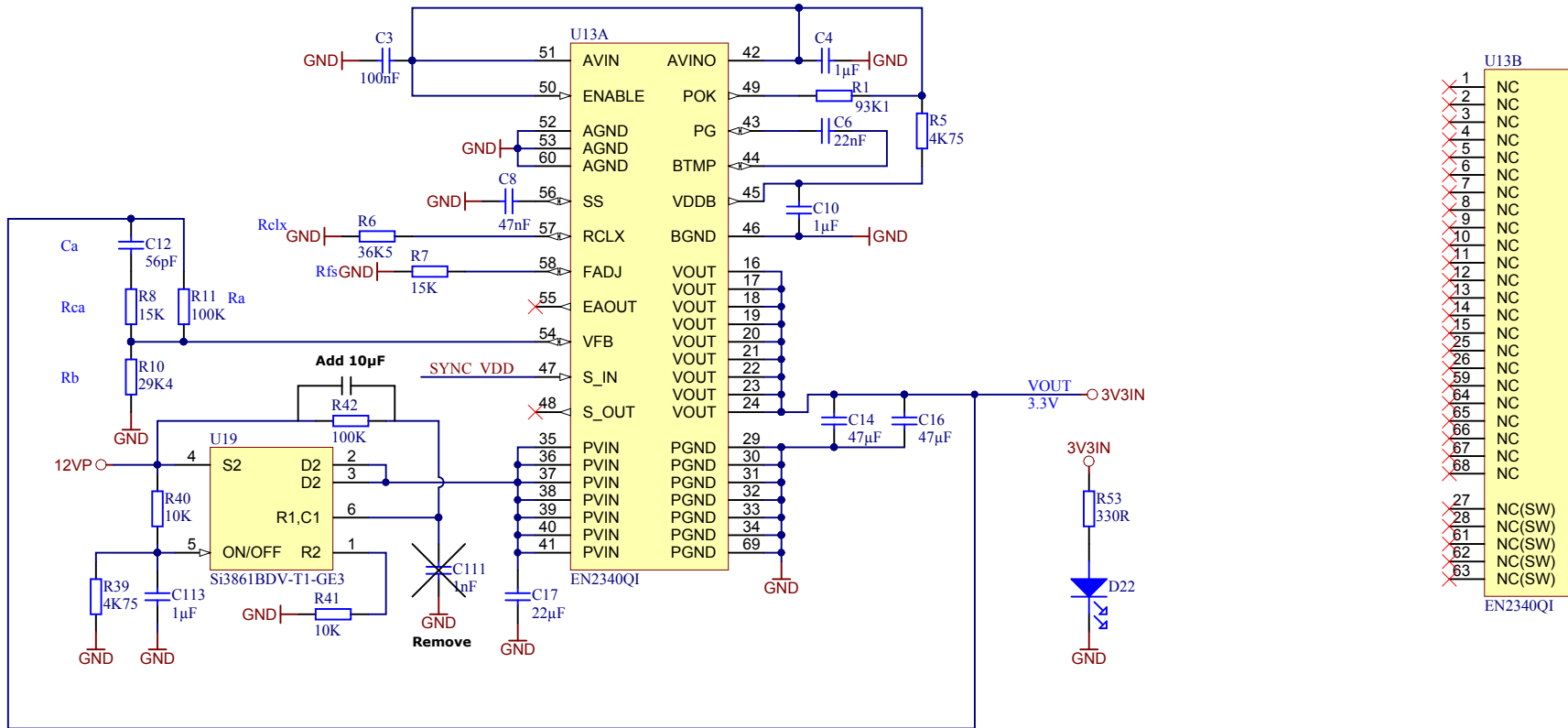
	Title: TE0701		
	A4	Number: TE0701 [No Variations]	Rev. 02
	Date: 2013-5-7	Copyright: Trenz Electronic GmbH	Page 10 of 16
	Filename: FPGA_LEFT.SchDoc		




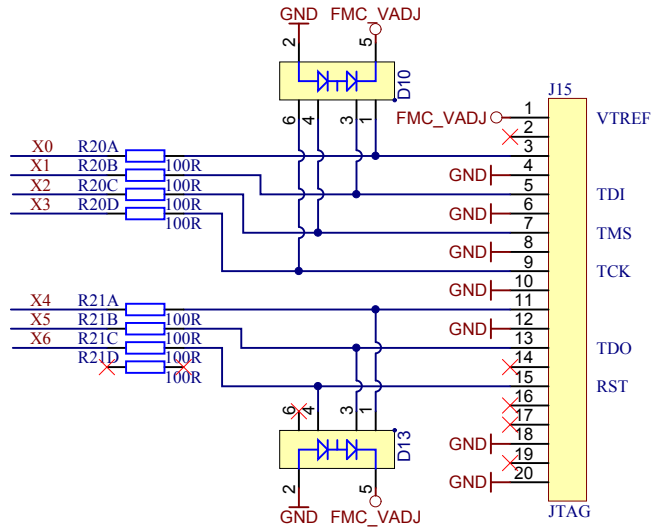
Title: TE0701		
A4	Number: TE0701 [No Variations]	Rev. 02
Date: 2013-5-7	Copyright: Trenz Electronic GmbH	Page 11 of 16
Filename: POWER_5V0.SchDoc		





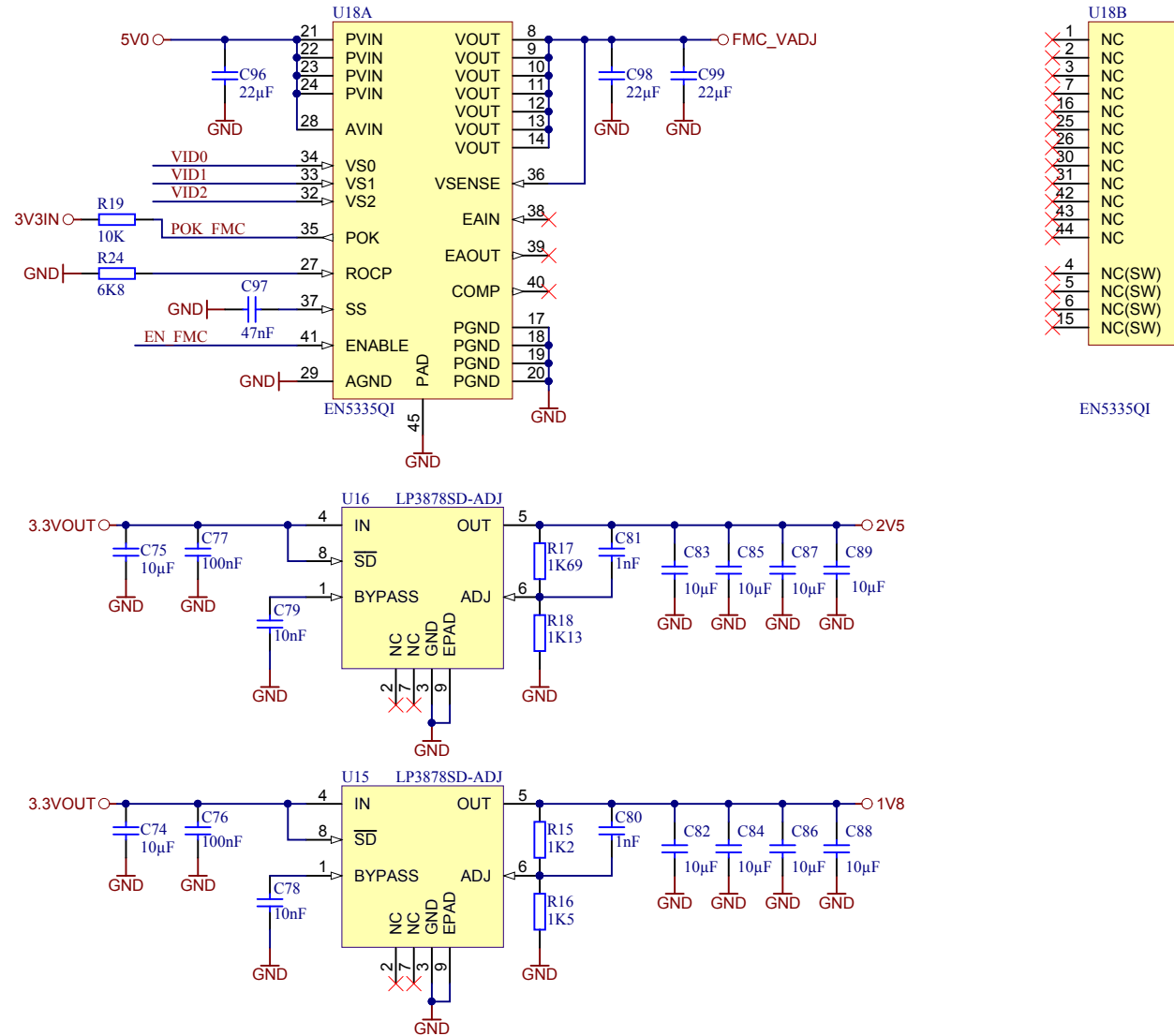
Title: TE0701		
A4	Number: TE0701 [No Variations]	Rev. 02
Date: 2013-5-7	Copyright: Trenz Electronic GmbH	Page 12 of 16
Filename: FMC.SchDoc		




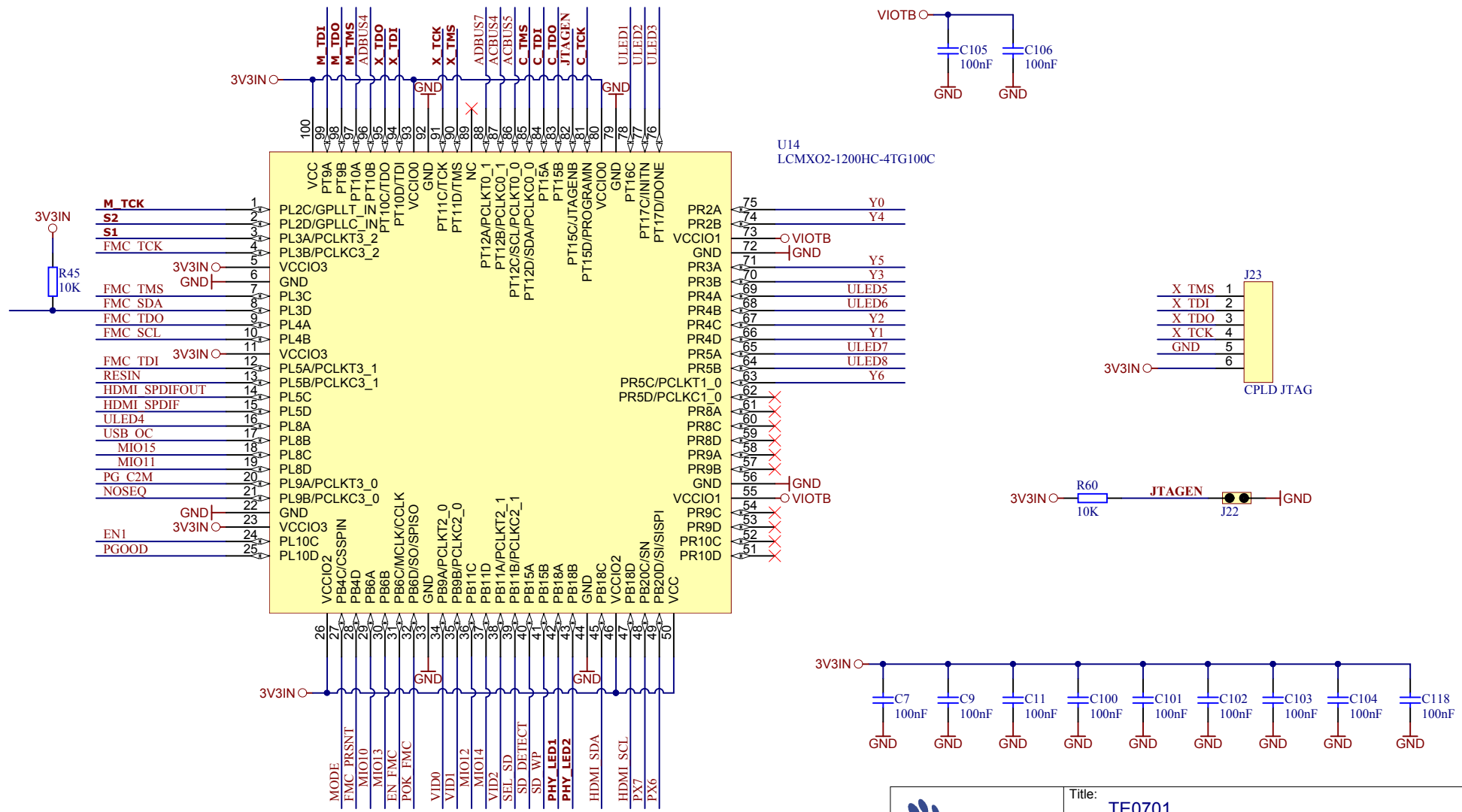
	Title: TE0701		
	A4	Number: TE0701 [No Variations]	Rev. 02
	Date: 2013-5-7	Copyright: Trenz Electronic GmbH	Page 13 of 16
	Filename: POWER_3V3.SchDoc		




	Title: TE0701		
	A4	Number: TE0701 [No Variations]	Rev. 02
	Date: 2013-5-7	Copyright: Trenz Electronic GmbH	Page 14 of 16
	Filename: ARM_JTAG.SchDoc		



	Title: TE0701		
	A4	Number: TE0701 [No Variations]	Rev. 02
	Date: 2013-5-7	Copyright: Trenz Electronic GmbH	Page 15 of 16
	Filename: POWER_MISC.SchDoc		



			Title: TE0701	
			A4	Number: TE0701 [No Variations]
Date: 2013-5-7		Copyright: Trenz Electronic GmbH		Page 16 of 16
Filename: CPLD.SchDoc				