

1

2

3

4

U\_FPGA\_B2B\_Connectors  
FPGA\_B2B\_Connectors.SchDoc

Ethernet  
Ethernet.SchDoc

LED\_SW\_BUT  
LED\_SW\_BUT.SchDoc

U\_ARM\_JTAG  
ARM\_JTAG.SchDoc

U\_POWER\_5V0  
POWER\_5V0.SchDoc

U\_POWER\_MISC  
POWER\_MISC.SchDoc

PMODs  
PMODs.SchDoc

FTDI  
FTDI.SchDoc

SDCard  
SDCard.SchDoc

U\_HDMI  
HDMI.SchDoc

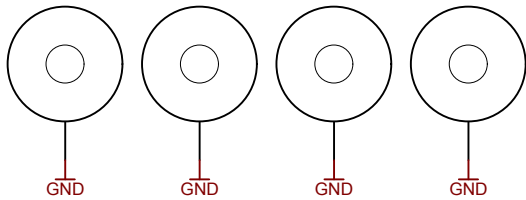
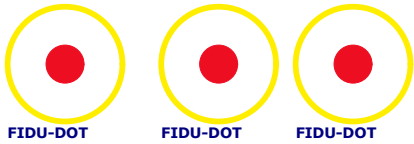
U\_CameraLink  
CameraLink.SchDoc

U\_ARM\_JTAG  
ARM\_JTAG.SchDoc

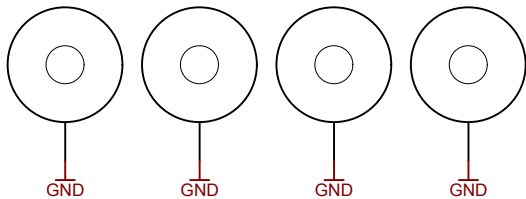
U\_FMC  
FMC.SchDoc

U\_POWER\_3V3  
POWER\_3V3.SchDoc

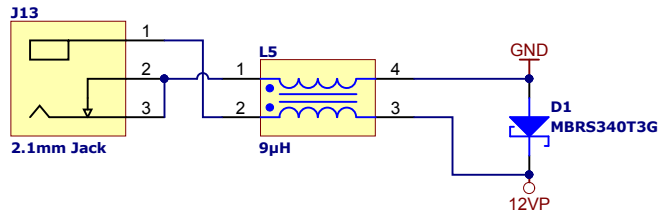
U\_CPLD  
CPLD.SchDoc



Mount.Hole 3.2mm Mount.Hole 3.2mm Mount.Hole 3.2mm Mount.Hole 3.2mm



Mount.Hole 3.2mm Mount.Hole 3.2mm Mount.Hole 3.2mm Mount.Hole 3.2mm



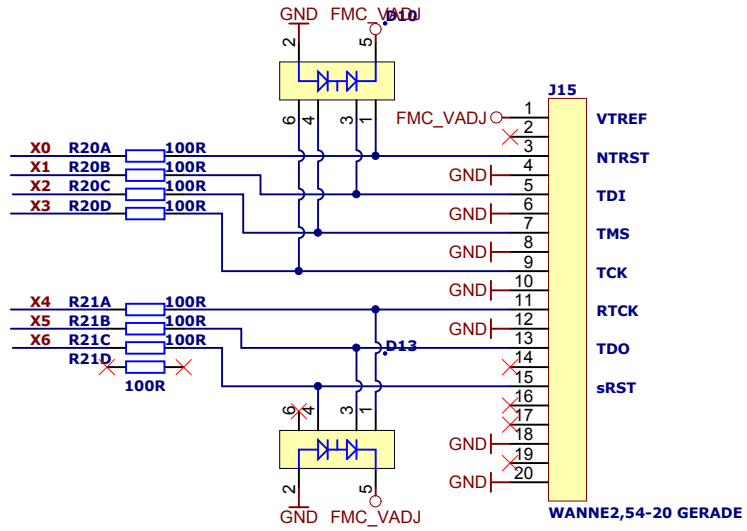
	Title: TE0701		
	A4	Number: TE0701 [No Variations]	Rev. 03
	Date: 2013-5-7	Copyright: Trenz Electronic GmbH	Page1 of 18
	Filename: TE0701.SchDoc		


1

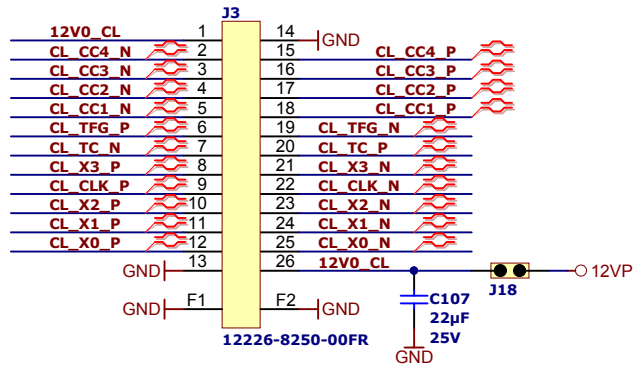
2


3

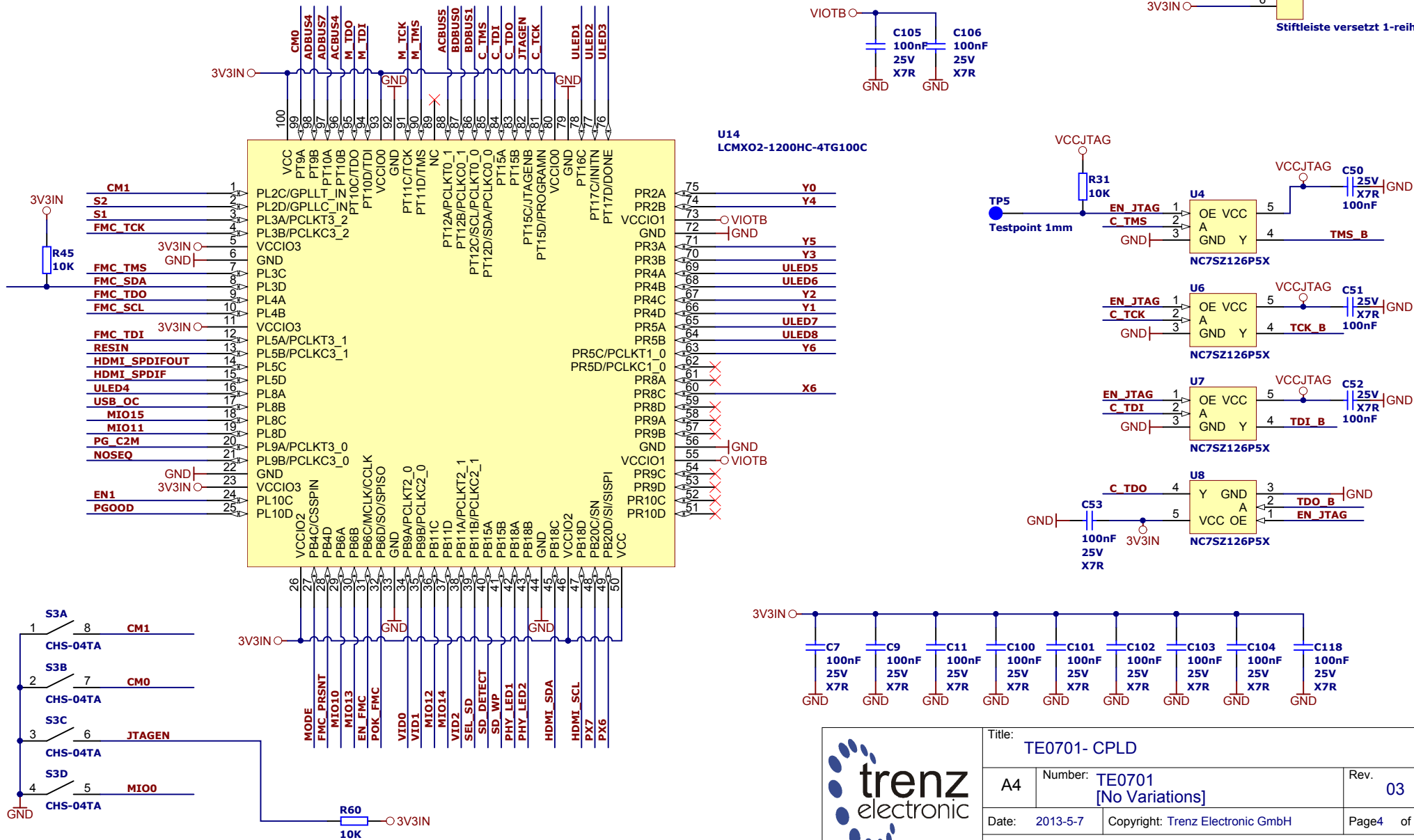
4




	Title: TE0701 - ARM JTAG		
	A4	Number: TE0701 [No Variations]	Rev. 03
	Date: 2013-5-7	Copyright: Trenz Electronic GmbH	Page2 of 18
	Filename: ARM_JTAG.SchDoc		



	Title: TE0701 - CameraLink		
	A4	Number: TE0701 [No Variations]	Rev. 03
	Date: 2013-5-7	Copyright: Trenz Electronic GmbH	Page3 of 18
	Filename: CameraLink.SchDoc		



		Title: TE0701- CPLD	
		A4	Number: TE0701 [No Variations]
Date: 2013-5-7		Copyright: Trenz Electronic GmbH	
Filename: CPLD.SchDoc		Page4 of 18	

1

2

3

4

A

A

B

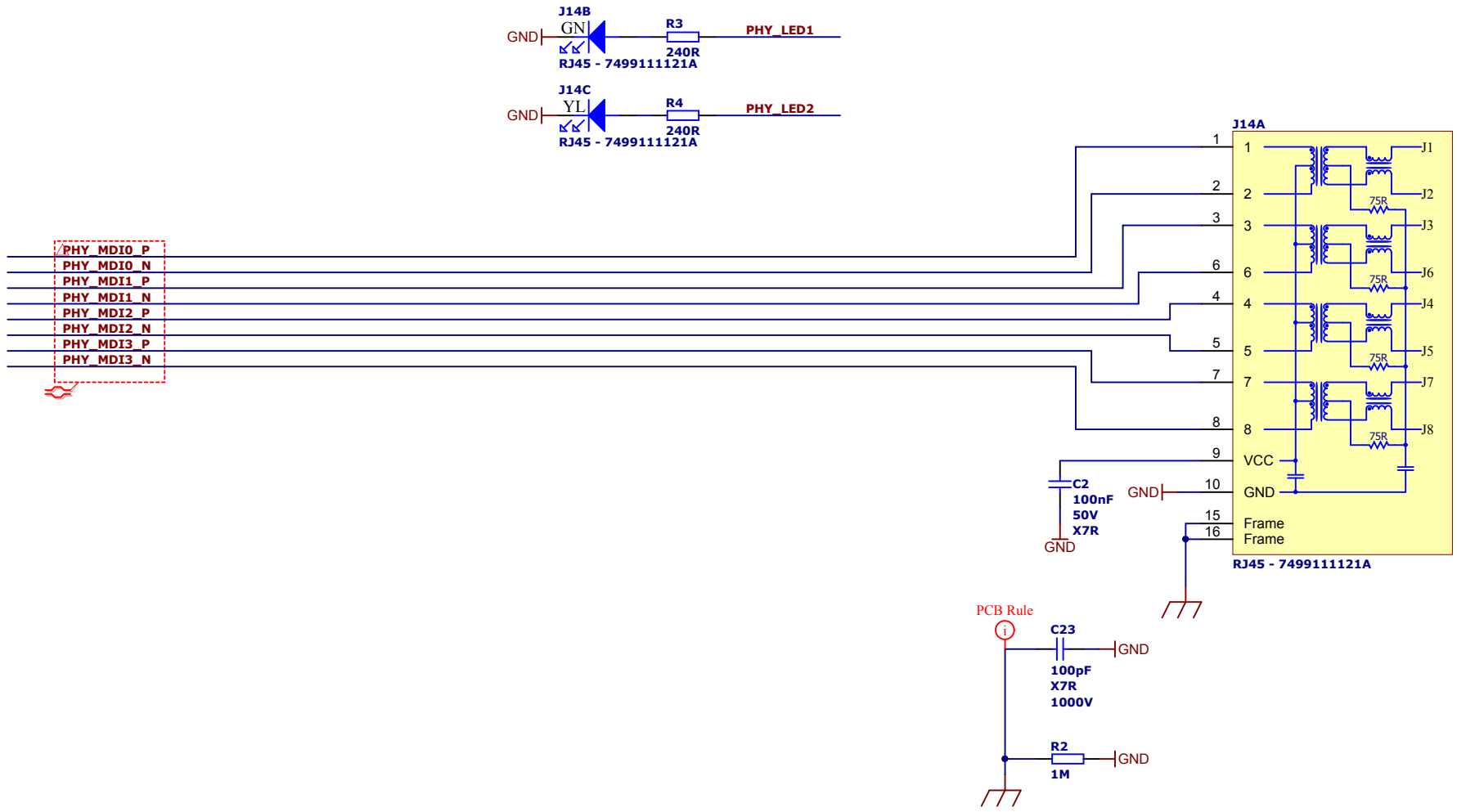
B

C

C

D

D



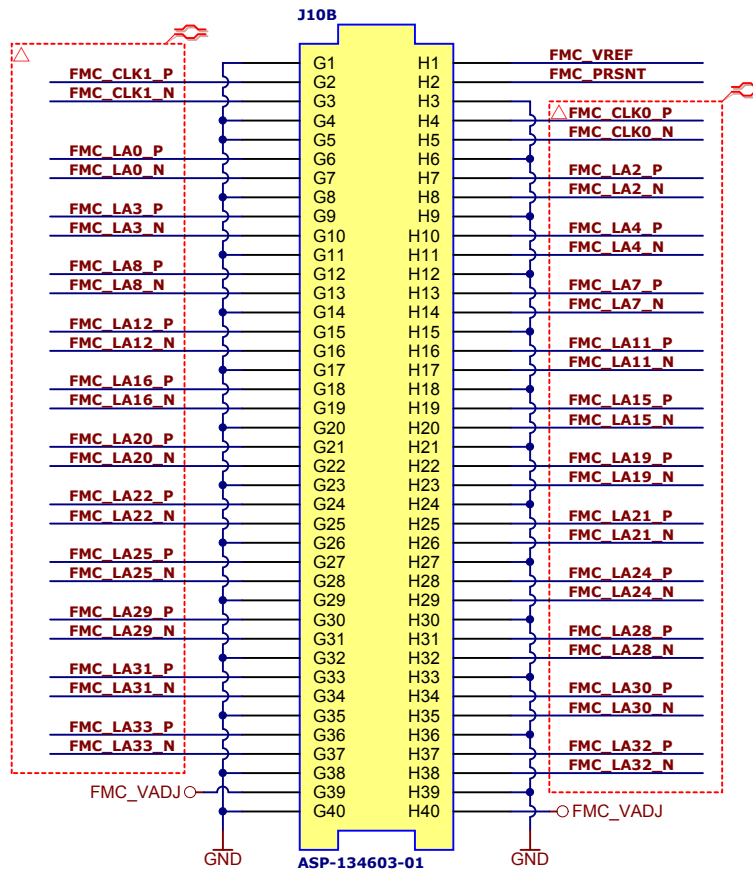
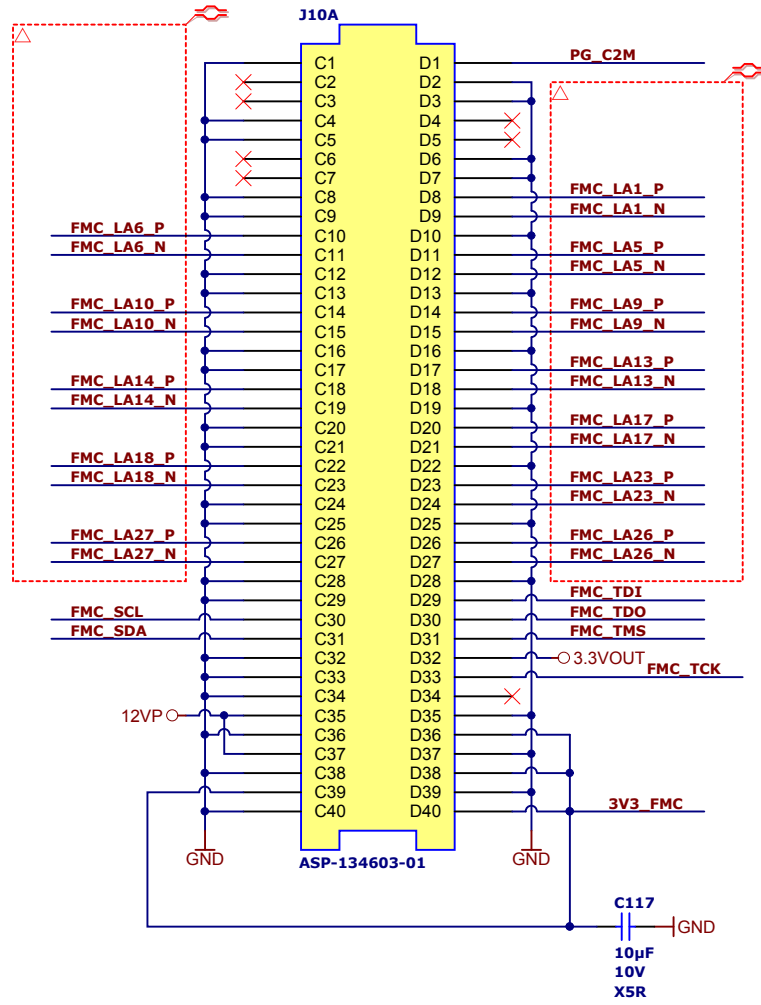
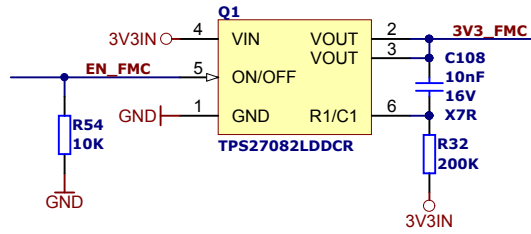
Title: TE0701 - Ethernet		
A4	Nummer: TE0701 [No Variations]	Rev. 03
Datum: 2013-5-7	Zeichner: Trenz Electronic GmbH	Blatt 5 von 18
Filename: Ethernet.SchDoc		

1

2

3

4



Title: TE0701 - FMC		
A4	Number: TE0701 [No Variations]	Rev. 03
Date: 2013-5-7	Copyright: Trenz Electronic GmbH	Page6 of 18
Filename: FMC.SchDoc		

1

2

3

4

A

A

B

B

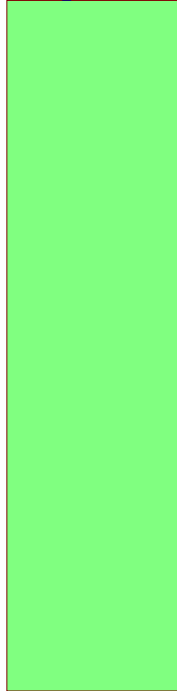
C

C

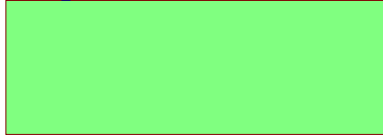
D

D

U\_TE0720\_JB1  
TE0720\_JB1.SchDoc



U\_TE0720\_JB3  
TE0720\_JB3.SchDoc



U\_TE0720\_JB2  
TE0720\_JB2.SchDoc



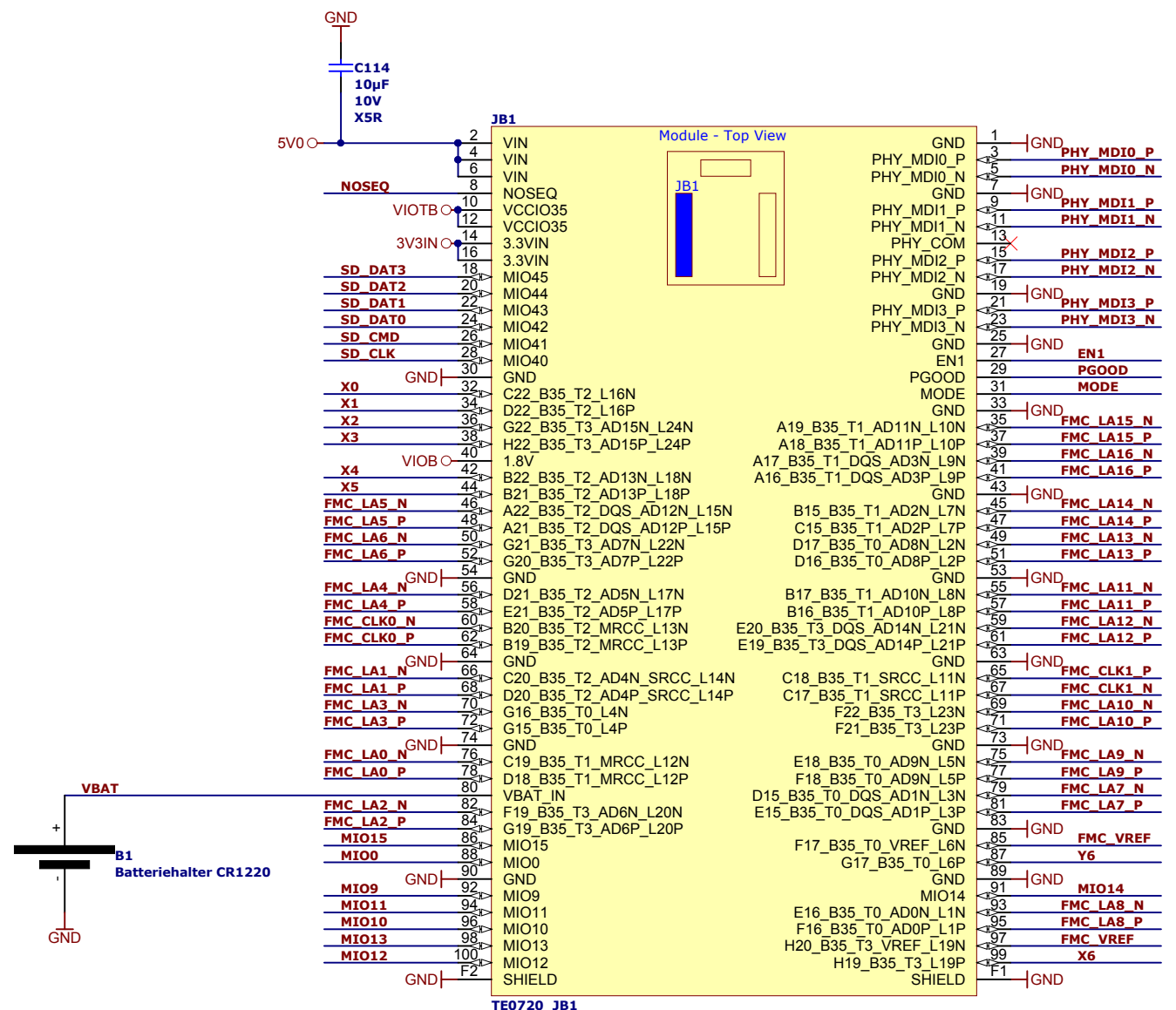
Title: <b>TE0701 - FPGA B2B Connectors</b>		
A4	Number: <b>TE0701</b> [No Variations]	Rev. <b>03</b>
Date: 2013-5-7	Copyright: Trenz Electronic GmbH	Page 7 of 18
Filename: <b>FPGA_B2B_Connectors.SchDoc</b>		

1

2

3

4



Title: <b>TE0701 - FPGA B2B Connectors</b>		
A4	Number: <b>TE0701</b> [No Variations]	Rev. <b>03</b>
Date: 2013-5-7	Copyright: Trenz Electronic GmbH	Page 8 of 18
Filename: <b>TE0720_JB1.SchDoc</b>		

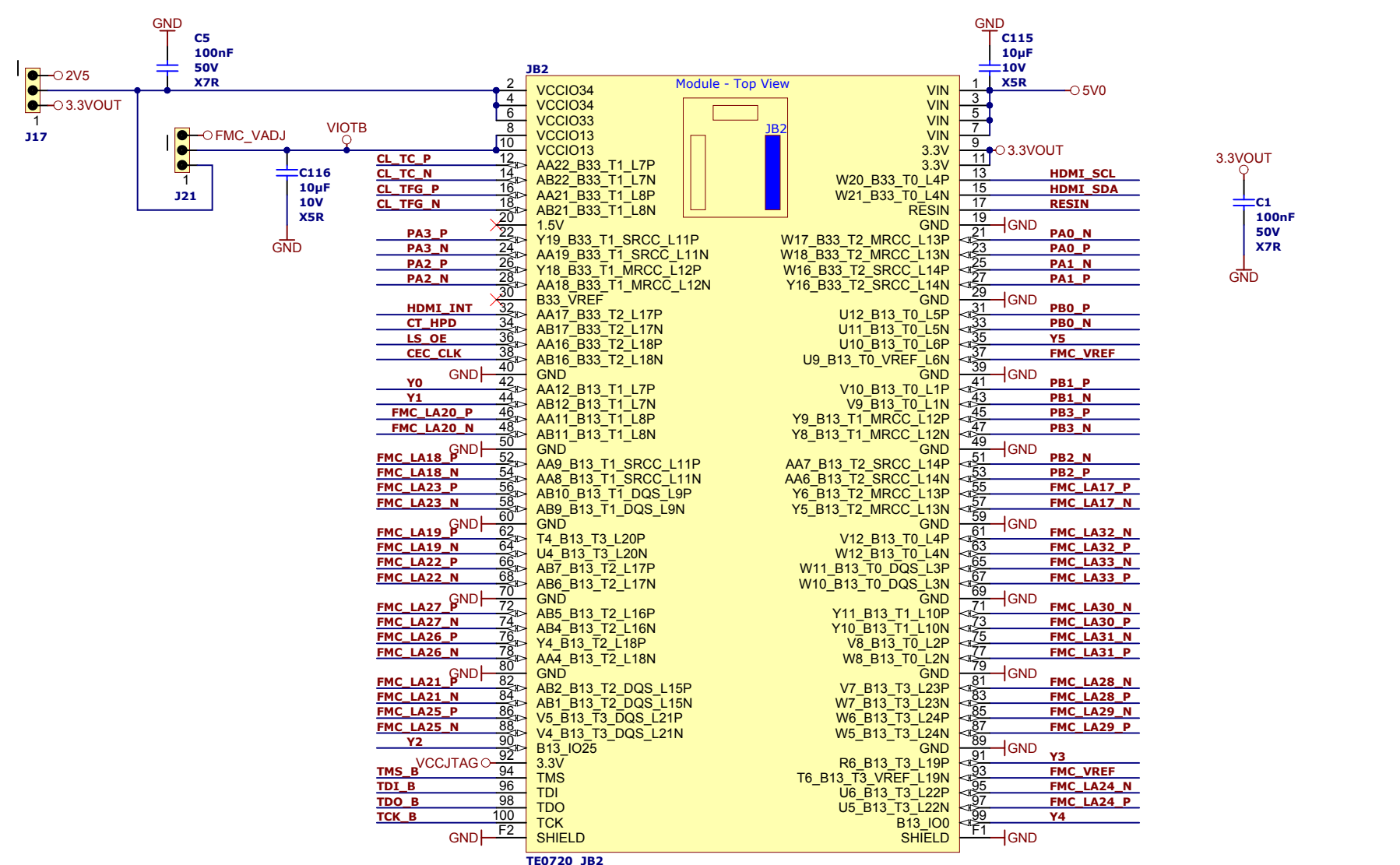



A

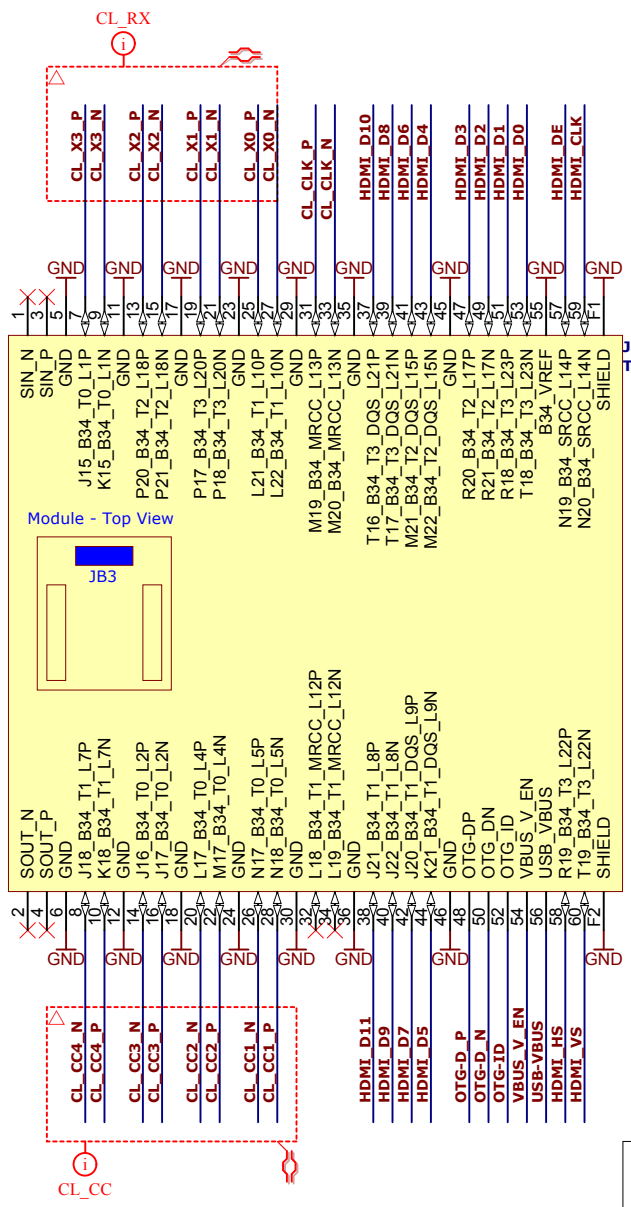
B

C

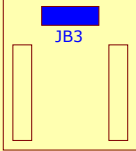
D



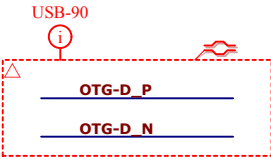
		Title: TE0701 - FPGA B2B Connectors	
		A4	Number: TE0701 [No Variations]
Date: 2013-5-7		Copyright: Trenz Electronic GmbH	
Filename: TE0720_JB2.SchDoc		Page9 of 18	



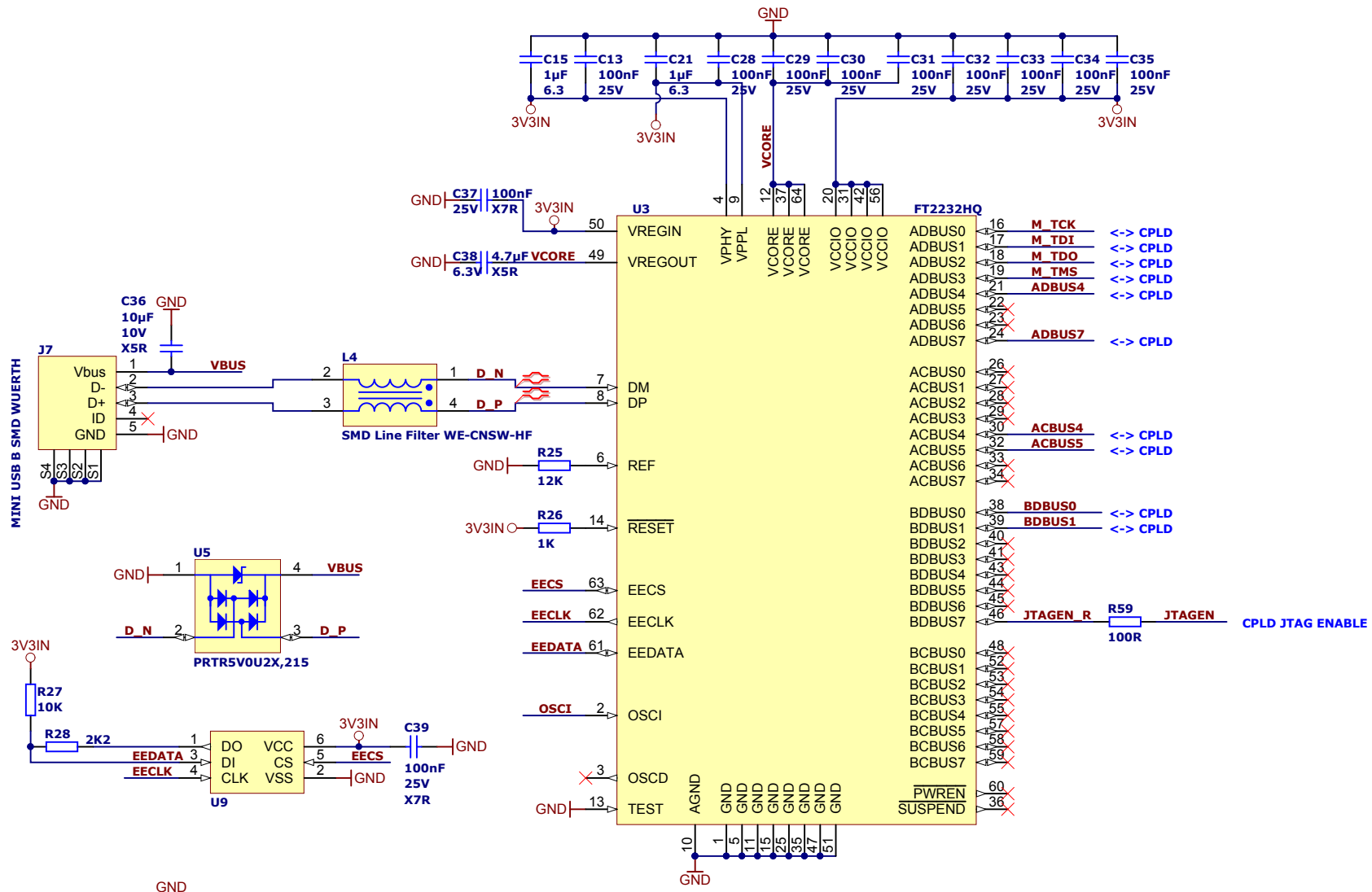
Module - Top View



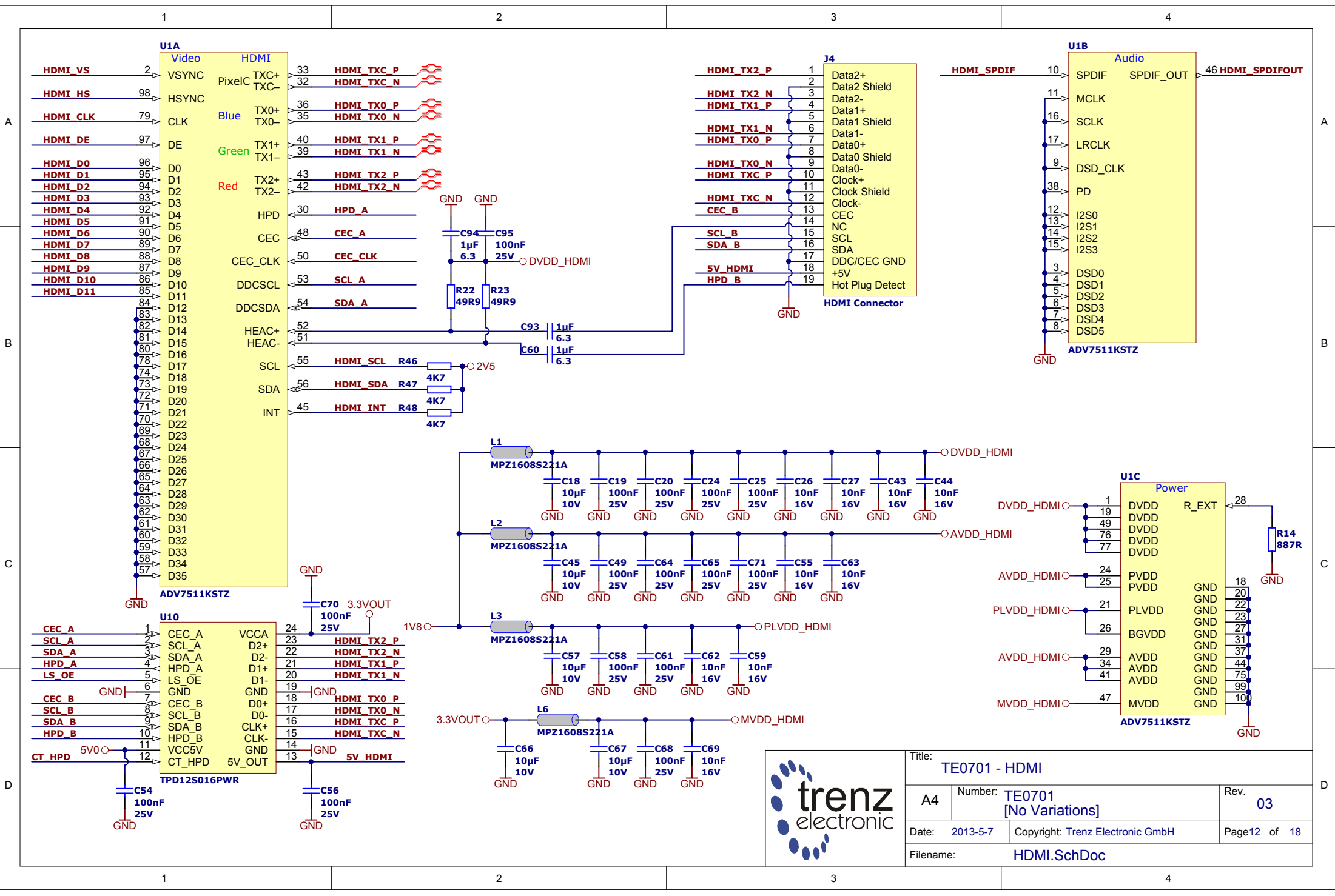
CL\_CC



Title: TE0701 - FPGA B2B Connectors		
A4	Number: TE0701 [No Variations]	Rev. 03
Date: 2013-5-7	Copyright: Trenz Electronic GmbH	Page 10 of 18
Filename: TE0720_JB3.SchDoc		



Title: TE0701 - FTDI USB		
A4	Number: TE0701 [No Variations]	Rev. 03
Date: 2013-5-7	Copyright: Trenz Electronic GmbH	Page 11 of 18
Filename: FTDI.SchDoc		



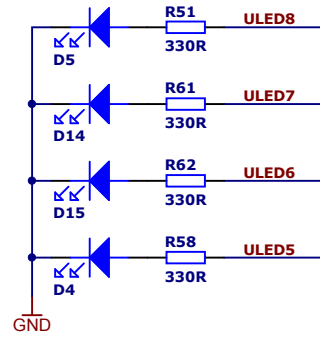
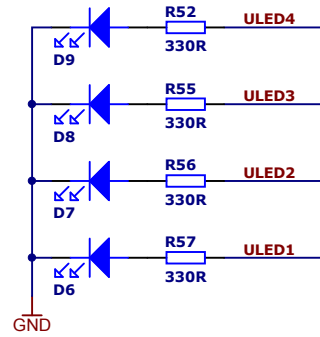
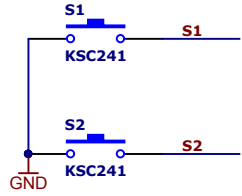
Title: TE0701 - HDMI		
A4	Number: TE0701 [No Variations]	Rev. 03
Date: 2013-5-7	Copyright: Trenz Electronic GmbH	Page 12 of 18
Filename: HDMI.SchDoc		


1

2

3

4



	Title: TE0701 - LEDS & SWS & BUTTONS		
	A4	Number: TE0701 [No Variations]	Rev. 03
	Date: 2013-5-7	Copyright: Trenz Electronic GmbH	Page 13 of 18
	Filename: LED_SW_BUT.SchDoc		

1

2

3

4

A

A

B

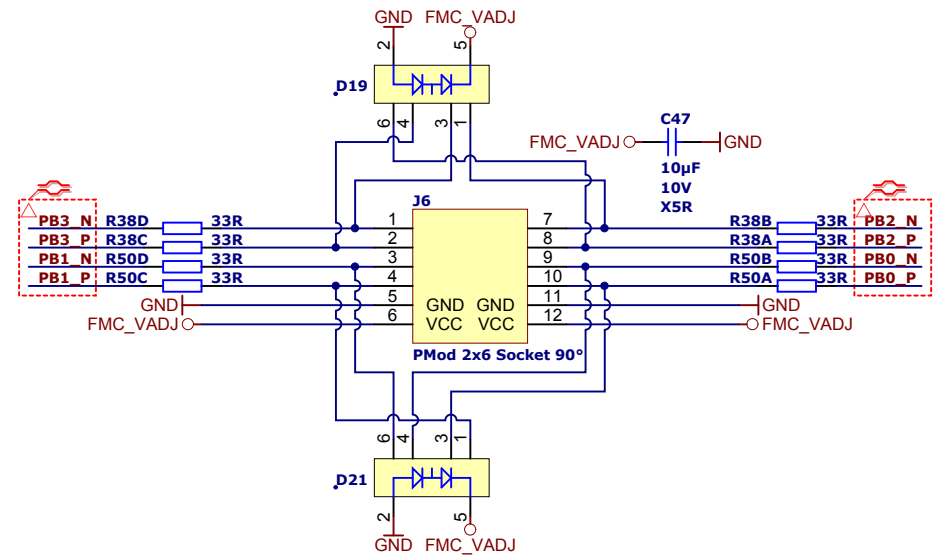
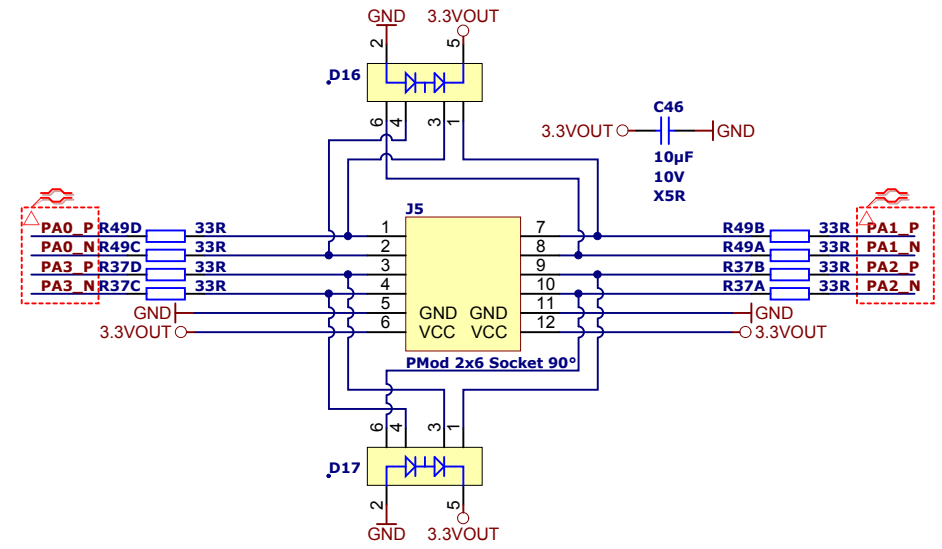
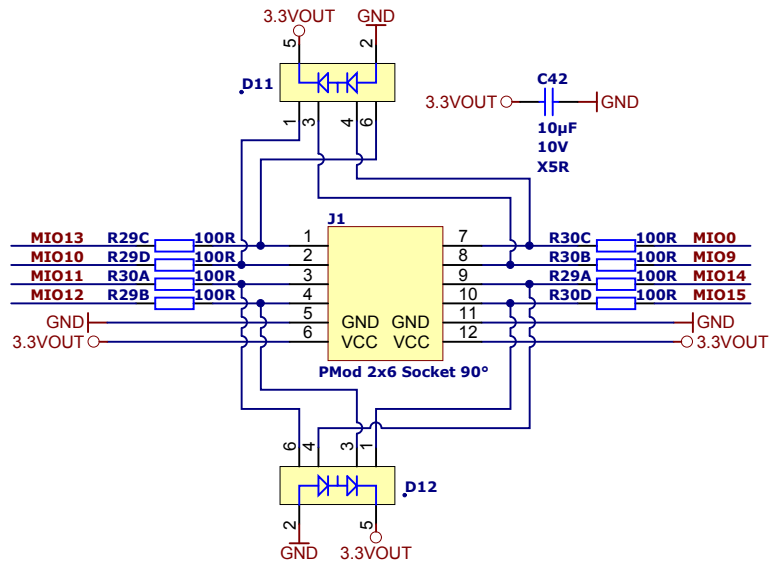
B

C

C

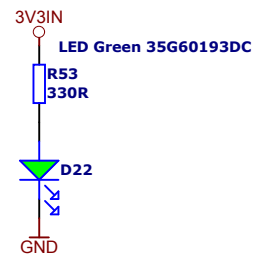
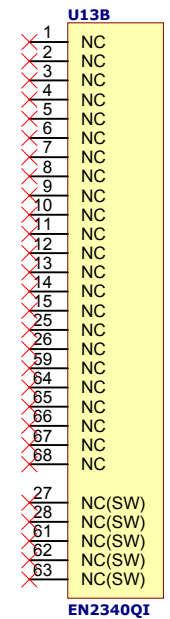
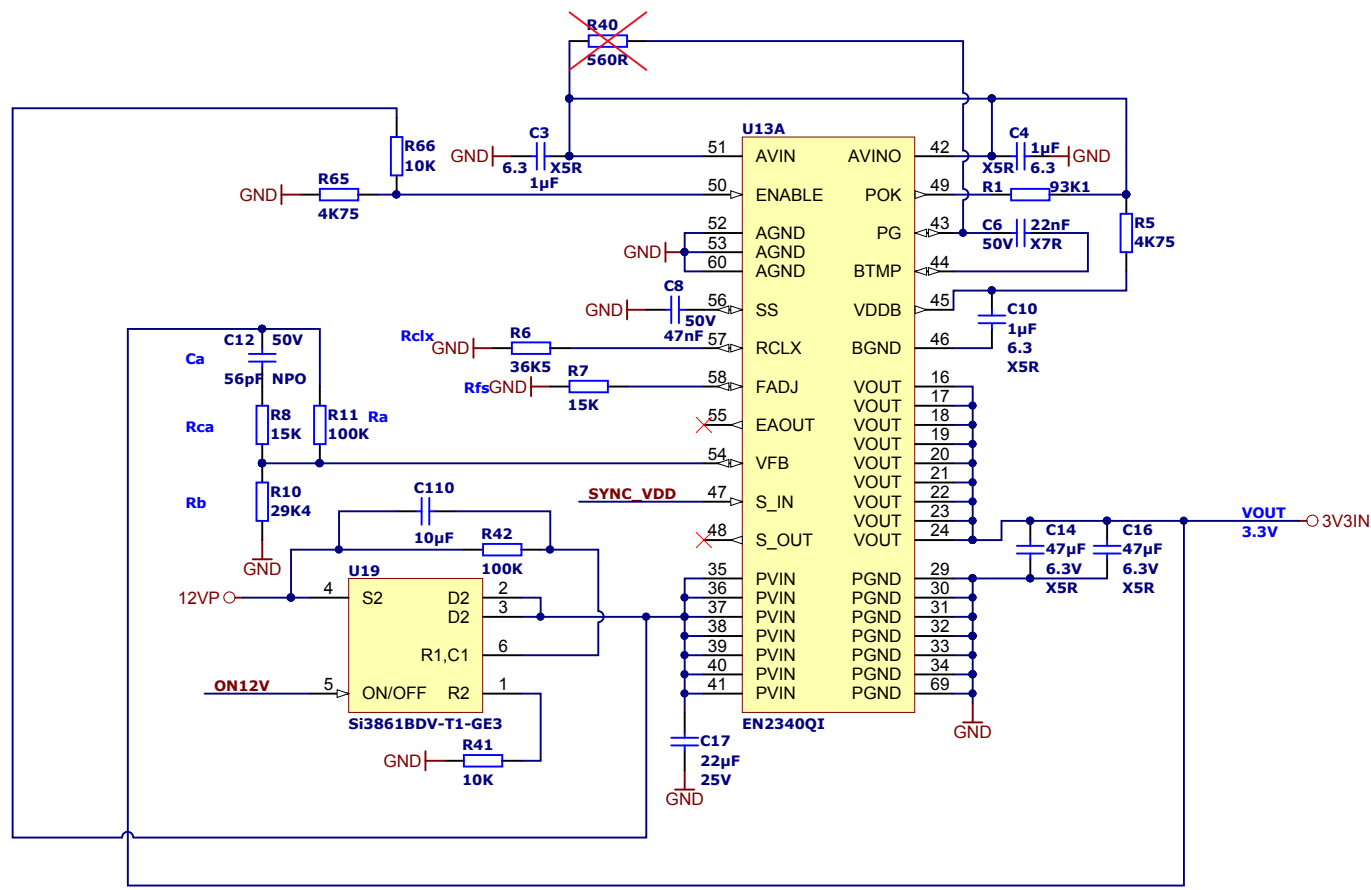
D

D



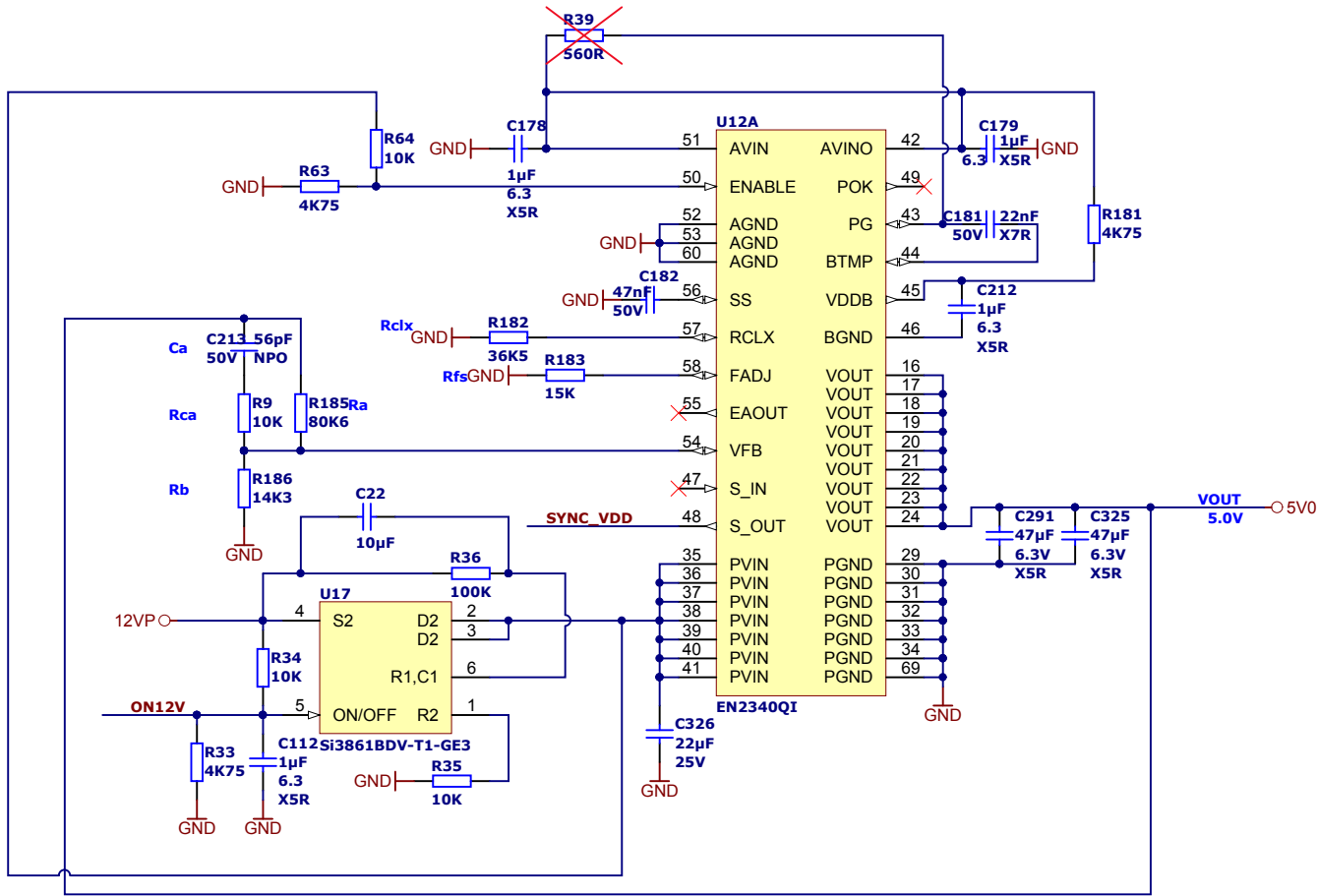
	Title: TE0701 - PMODS		
	A4	Number: TE0701 [No Variations]	Rev. 03
	Date: 2013-5-7	Copyright: Trenz Electronic GmbH	Page 14 of 18
	Filename: PMODS.SchDoc		

R40 has wrong connection, should go to PVIN, or leave empty!



Title: TE0701 - 3.3V POWER		
A4	Number: TE0701 [No Variations]	Rev. 03
Date: 2013-5-7	Copyright: Trenz Electronic GmbH	Page 15 of 18
Filename: POWER_3V3.SchDoc		

R39 has wrong connection, should go to PVIN, or leave empty!

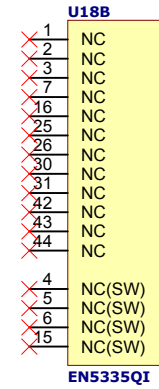
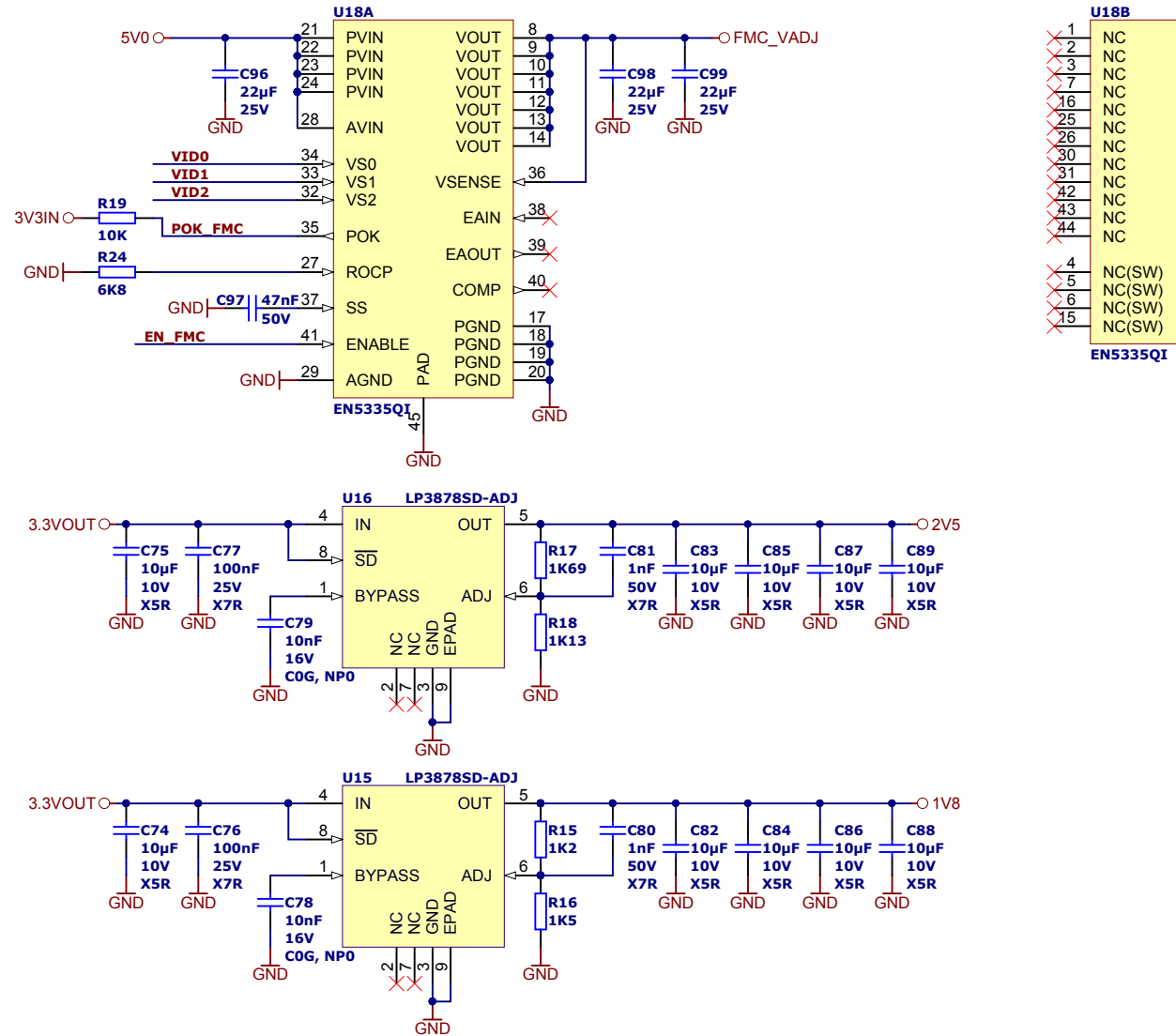


U12B	
<del>1</del>	NC
<del>2</del>	NC
<del>3</del>	NC
<del>4</del>	NC
<del>5</del>	NC
<del>6</del>	NC
<del>7</del>	NC
<del>8</del>	NC
<del>9</del>	NC
<del>10</del>	NC
<del>11</del>	NC
<del>12</del>	NC
<del>13</del>	NC
<del>14</del>	NC
<del>15</del>	NC
<del>25</del>	NC
<del>26</del>	NC
<del>59</del>	NC
<del>64</del>	NC
<del>65</del>	NC
<del>66</del>	NC
<del>67</del>	NC
<del>68</del>	NC
<del>27</del>	NC(SW)
<del>28</del>	NC(SW)
<del>61</del>	NC(SW)
<del>62</del>	NC(SW)
<del>63</del>	NC(SW)

EN2340QI

	Title: TE0701 - 5V POWER		
	A4	Number: TE0701 [No Variations]	Rev. 03
	Date: 2013-5-7	Copyright: Trenz Electronic GmbH	Page 16 of 18
	Filename: POWER_5V0.SchDoc		





	Title: TE0701 - MISC POWER	
	A4	Number: TE0701 [No Variations]
	Date: 2013-5-7	Copyright: Trenz Electronic GmbH
	Filename: POWER_MISC.SchDoc	Page 17 of 18

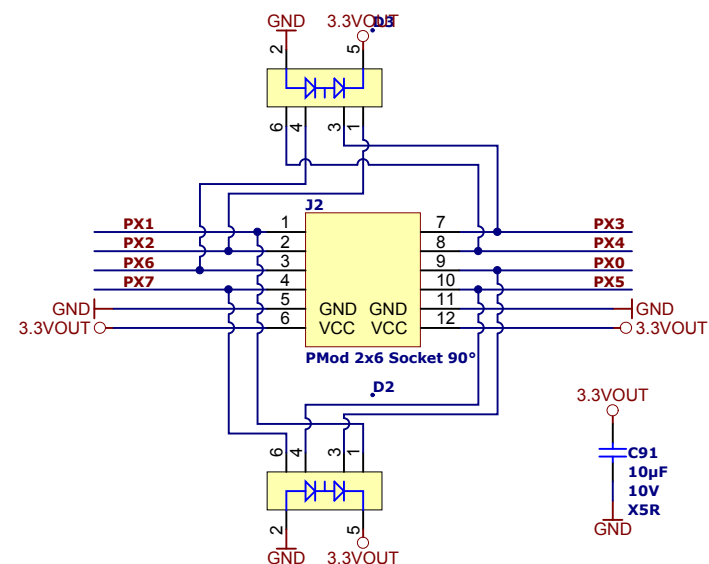
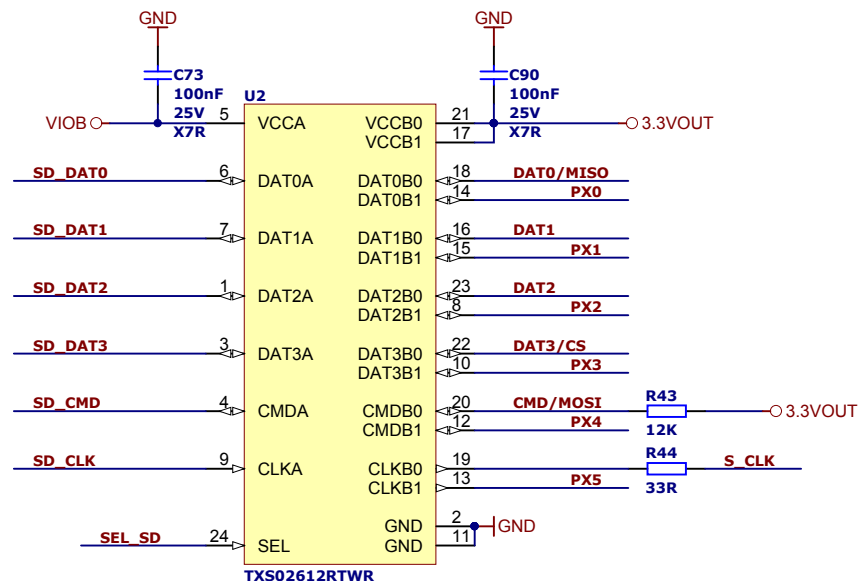
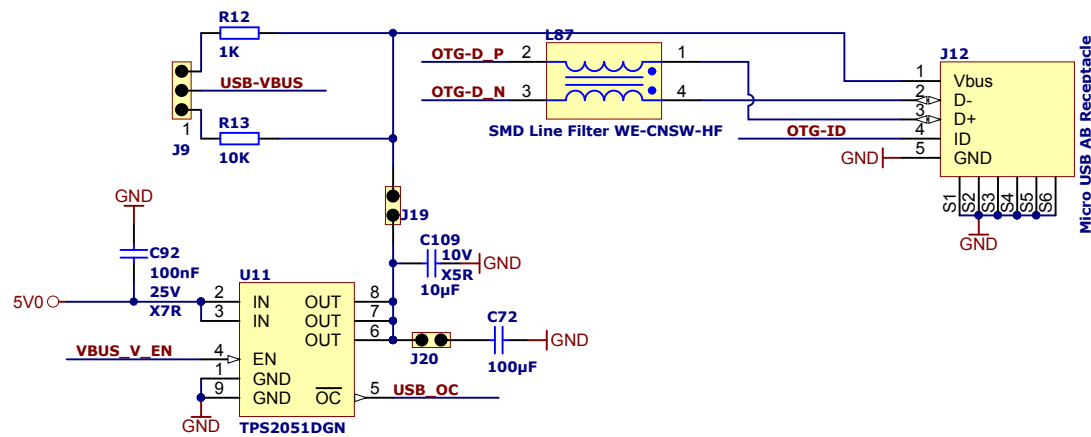
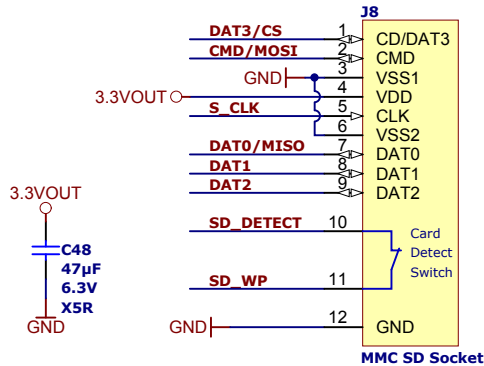
A  
B  
C  
D

1

2

3

4



Title: TE0701 - SD Card		
A4	Number: TE0701 [No Variations]	Rev. 03
Date: 2013-5-7	Copyright: Trenz Electronic GmbH	Page 18 of 18
Filename: SDCard.SchDoc		

1

2

3

4