

1

2

3

4

A

A

U\_B2B\_Connectors  
B2B\_Connectors.SchDoc



Ethernet  
Ethernet.SchDoc



U\_FTDI  
FTDI.SchDoc



U\_CPLD  
CPLD.SchDoc



U\_VG\_CONN  
VG\_CONN.SchDoc



U\_USB  
USB.SchDoc



SDCard  
SDCard.SchDoc



U\_CPLD  
CPLD.SchDoc



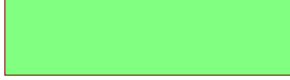
U\_POWER  
POWER.SchDoc



U\_POWER  
POWER.SchDoc



U\_LED\_SW\_BUT  
LED\_SW\_BUT.SchDoc



U\_LED\_SW\_BUT  
LED\_SW\_BUT.SchDoc

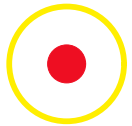


B

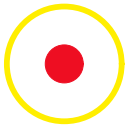
B



PM1



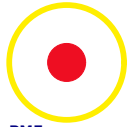
PM2



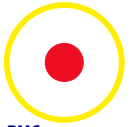
PM3



PM4



PM5

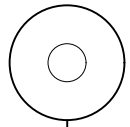


PM6

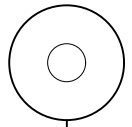
C

C

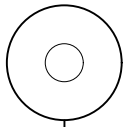
Mount.Hole 3.2mm Mount.Hole 3.2mm Mount.Hole 3.2mm Mount.Hole 3.2mm



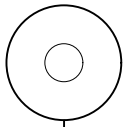
GND



GND



GND



GND

LOGO1

TE Logo PRINT Layer

LOGO PRINT



Title: Overview		
A4	Number: TE0703 Variant name not interpreted	Rev. 01
Date: 2013-12-27	Copyright: Trenz Electronic GmbH	Page1 of 10
Filename: TE0703.SchDoc		

D

D

1

2

3

4

A

B

C

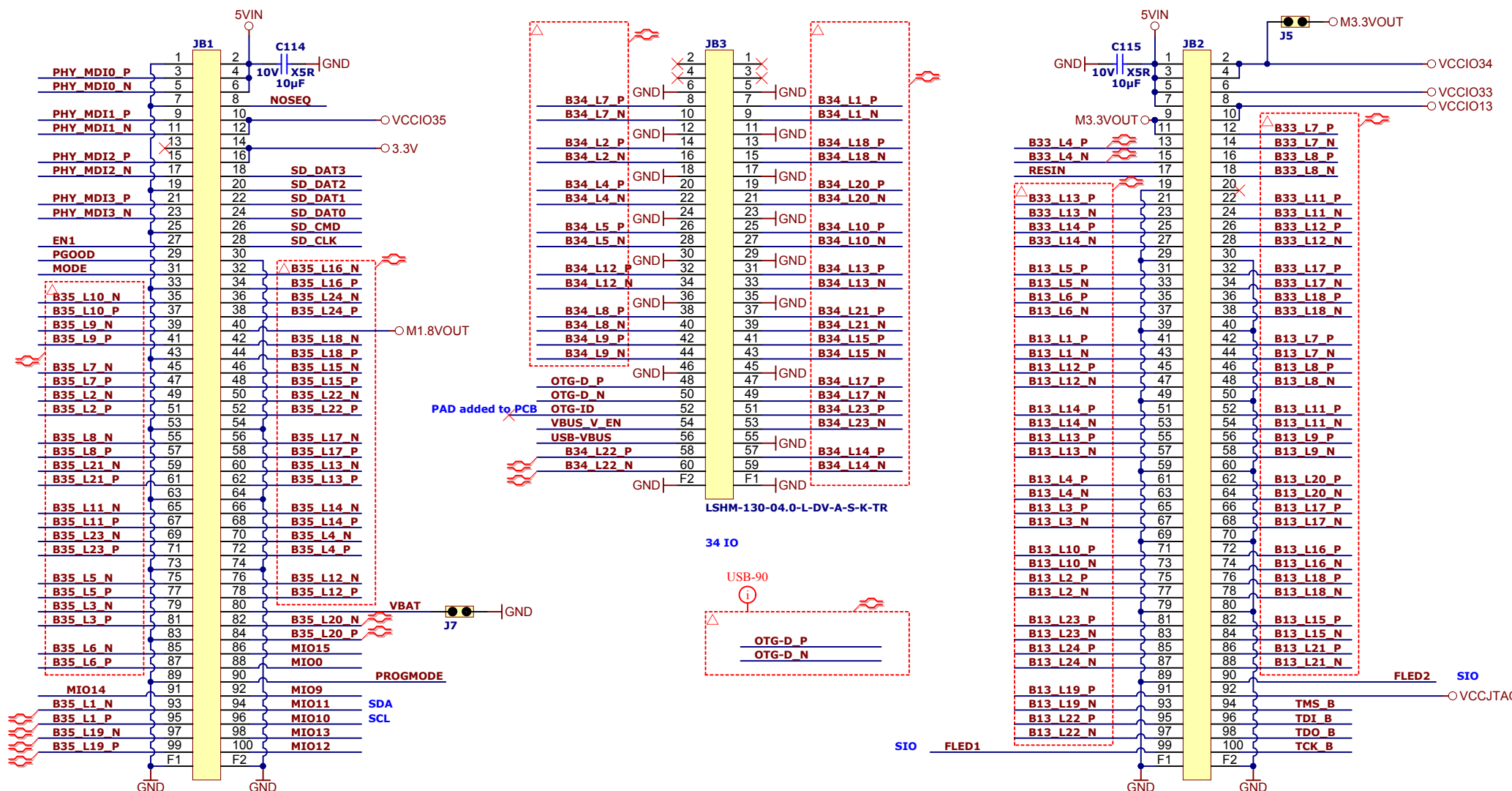
D

A

B

C

D



LSHM-150-04.0-L-DV-A-S-K-TR

LSHM-130-04.0-L-DV-A-S-K-TR

LSHM-150-04.0-L-DV-A-S-K-TR

48 IO  
 8 MIO 3.3V  
 6 MIO 1.8V

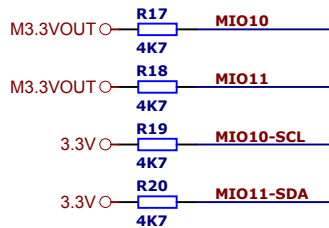
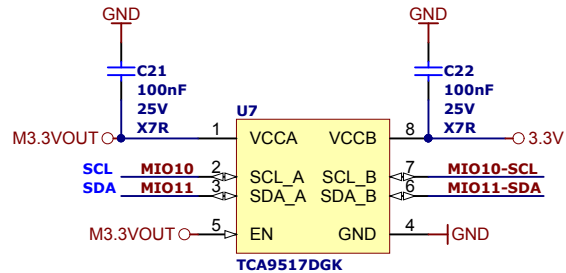
34 IO

68 IO

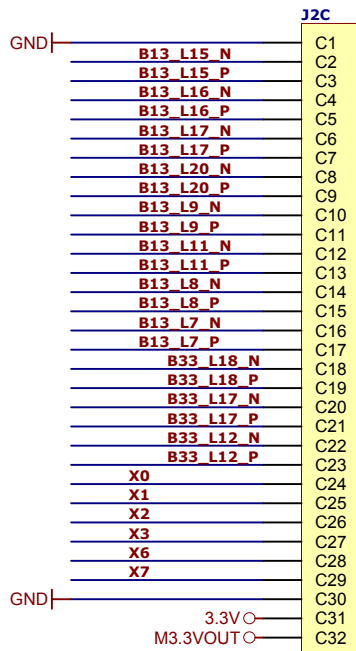
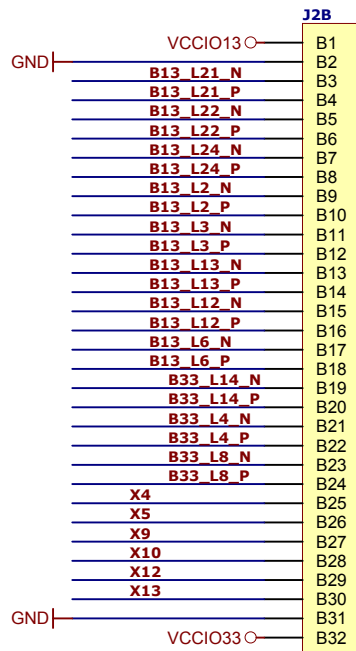
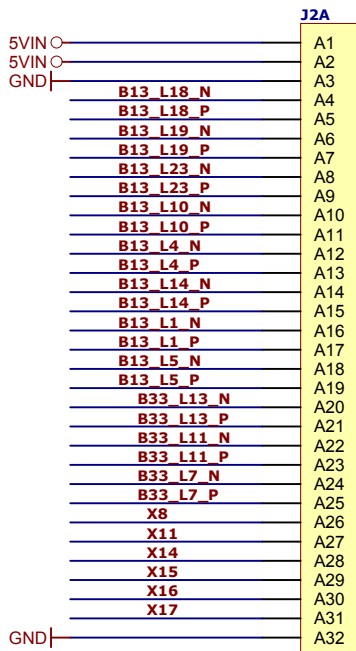
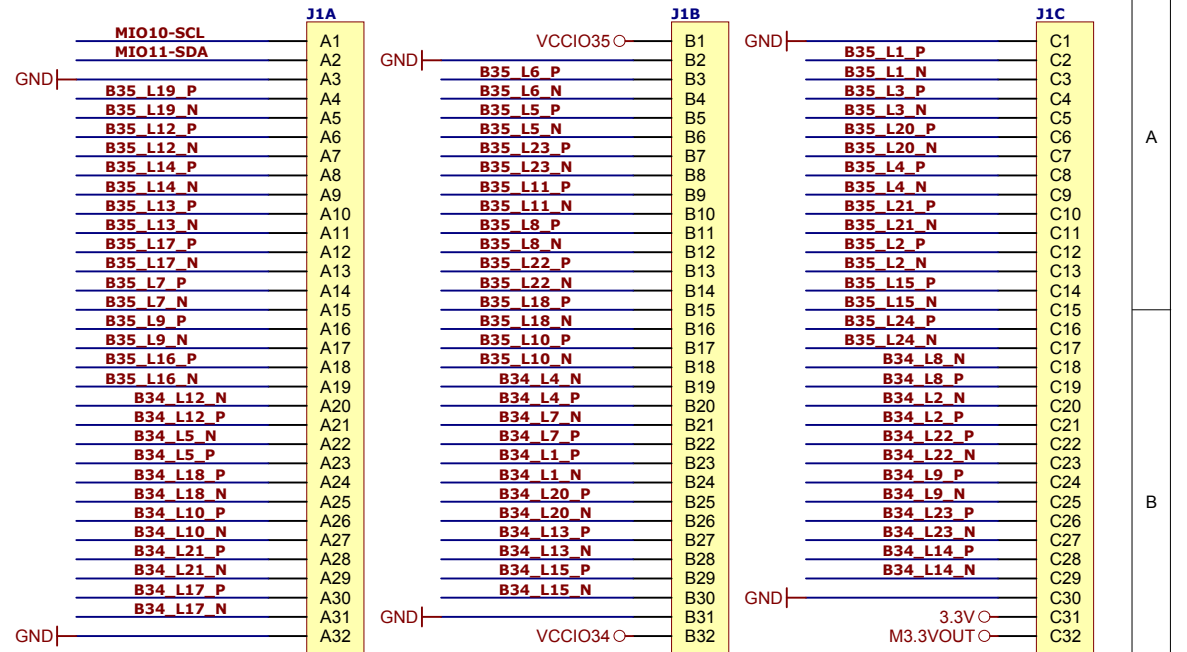
change to 22472 in next revision



Title: B2B Connector		
A4	Number: TE0703 Variant name not interpreted	Rev. 01
Date: 2013-12-27	Copyright: Trenz Electronic GmbH	Page2 of 10
Filename: B2B_Connectors.SchDoc		



change to 0402 in next revision



Title: External Connector		
A4	Number: TE0703 Variant name not interpreted	Rev. 01
Date: 2013-12-27	Copyright: Trenz Electronic GmbH	Page3 of 10
Filename: VG_CONN.SchDoc		

1

2

3

4

A

A

B

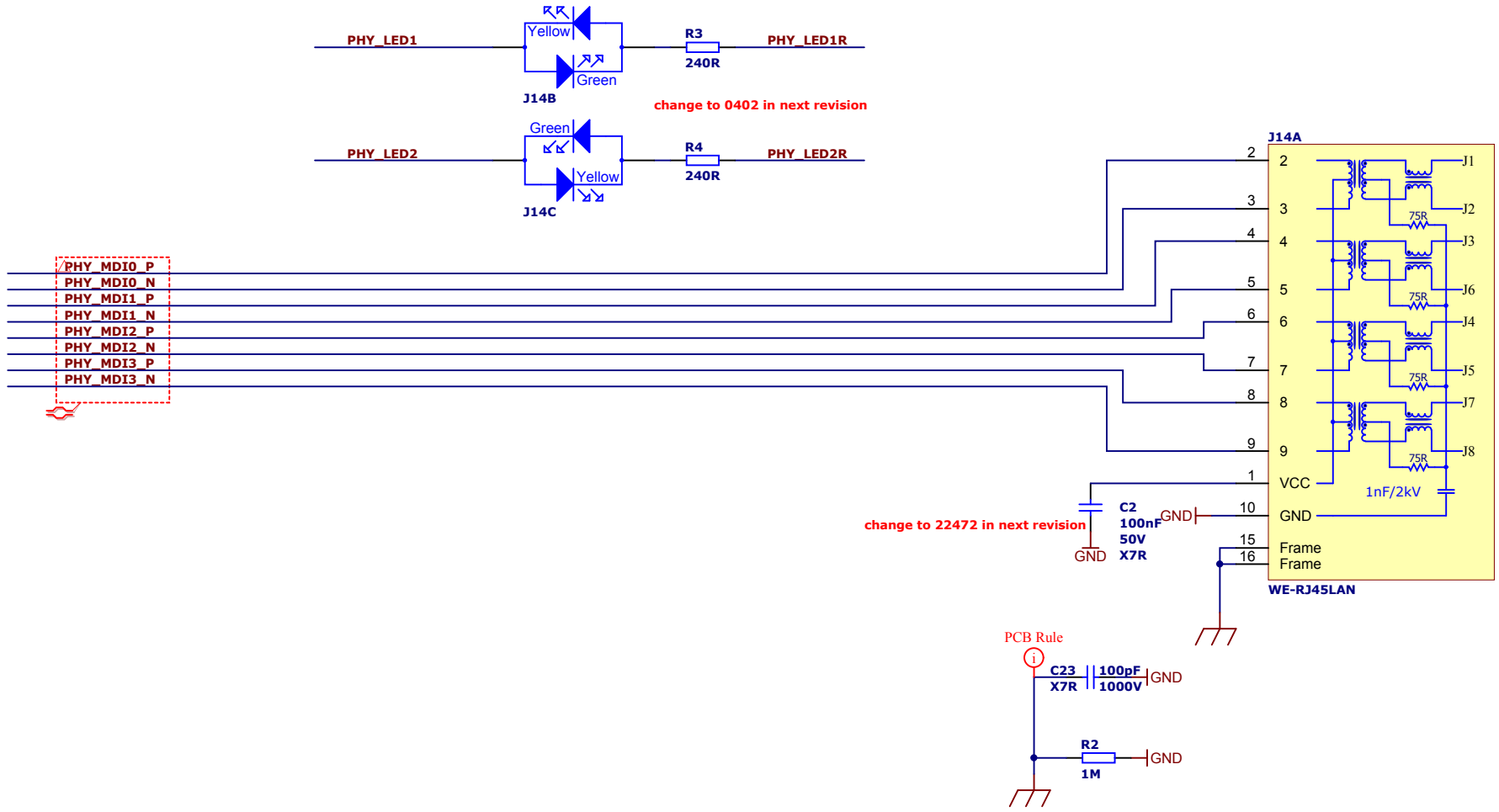
B


C

C

D

D



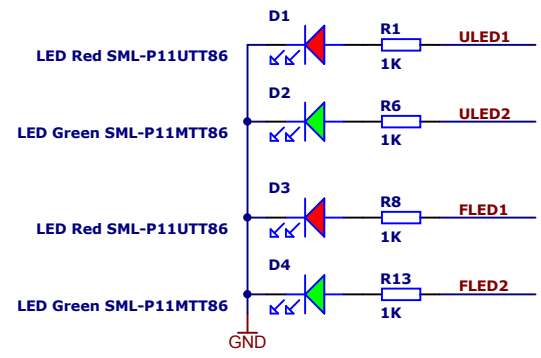
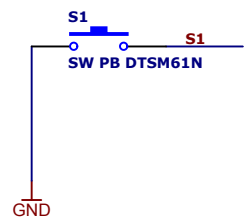
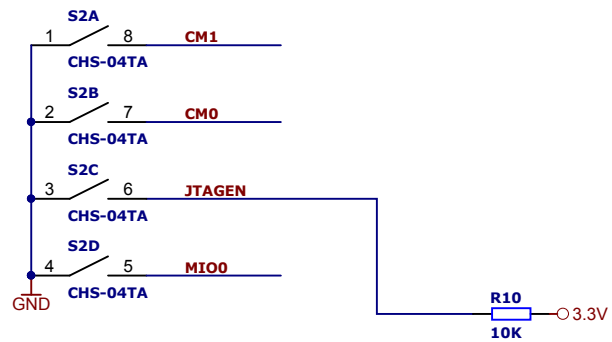
	Title: Ethernet		
	A4	Nummer: TE0703 Variant name not interpreted	Rev. 01
	Datum: 2013-12-27	Zeichner: Trenz Electronic GmbH	Blatt 4 von 10
	Filename: Ethernet.SchDoc		

1

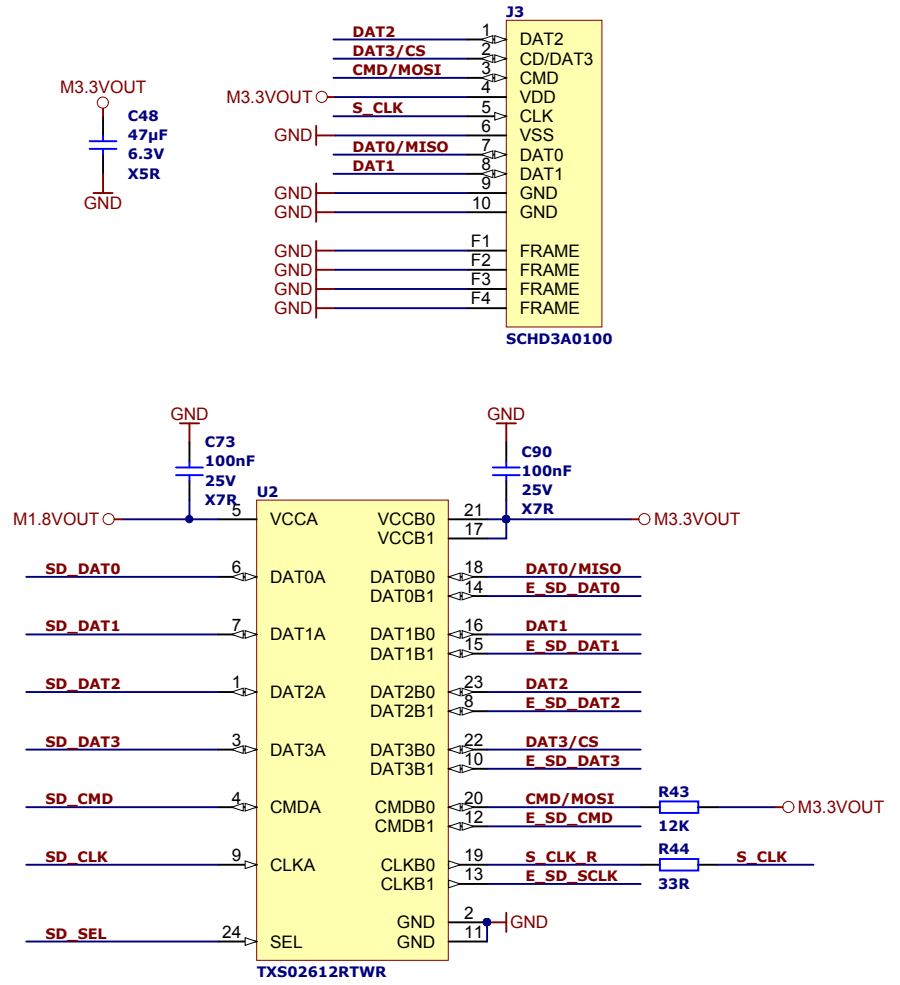
2

3

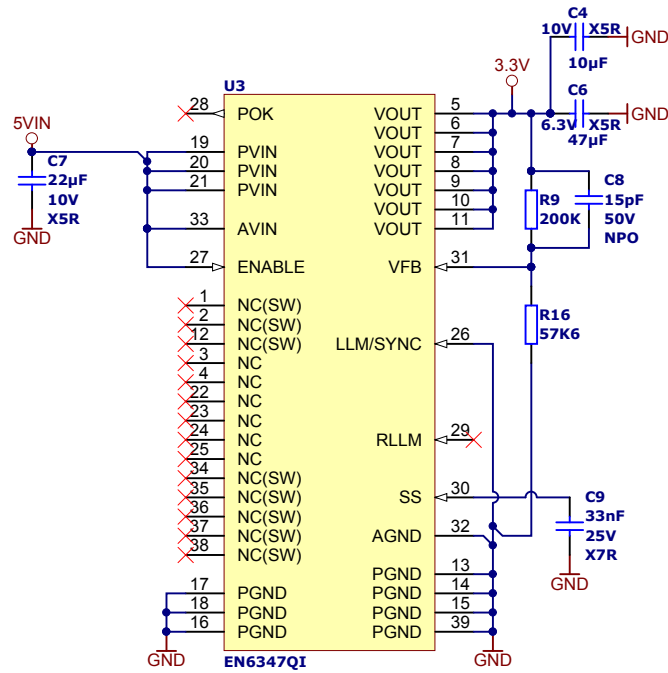
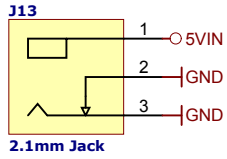
4



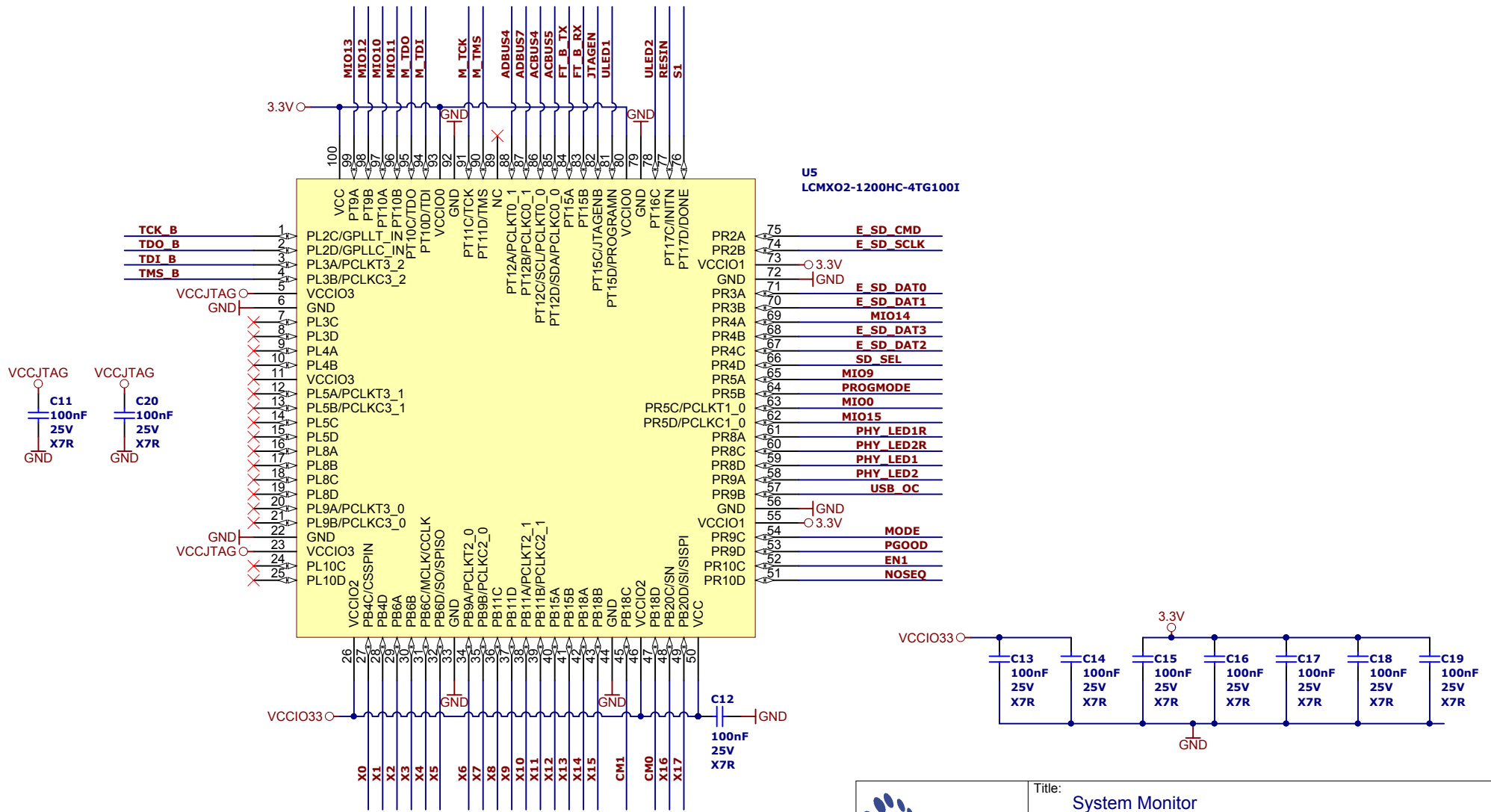
	Title: LED-Switch		
	A4	Number: TE0703 Variant name not interpreted	Rev. 01
	Date: 2013-12-27	Copyright: Trenz Electronic GmbH	Page5 of 10
	Filename: LED_SW_BUT.SchDoc		




Title: SD Card		
A4	Number: TE0703 Variant name not interpreted	Rev. 01
Date: 2013-12-27	Copyright: Trenz Electronic GmbH	Page6 of 10
Filename: SDCard.SchDoc		

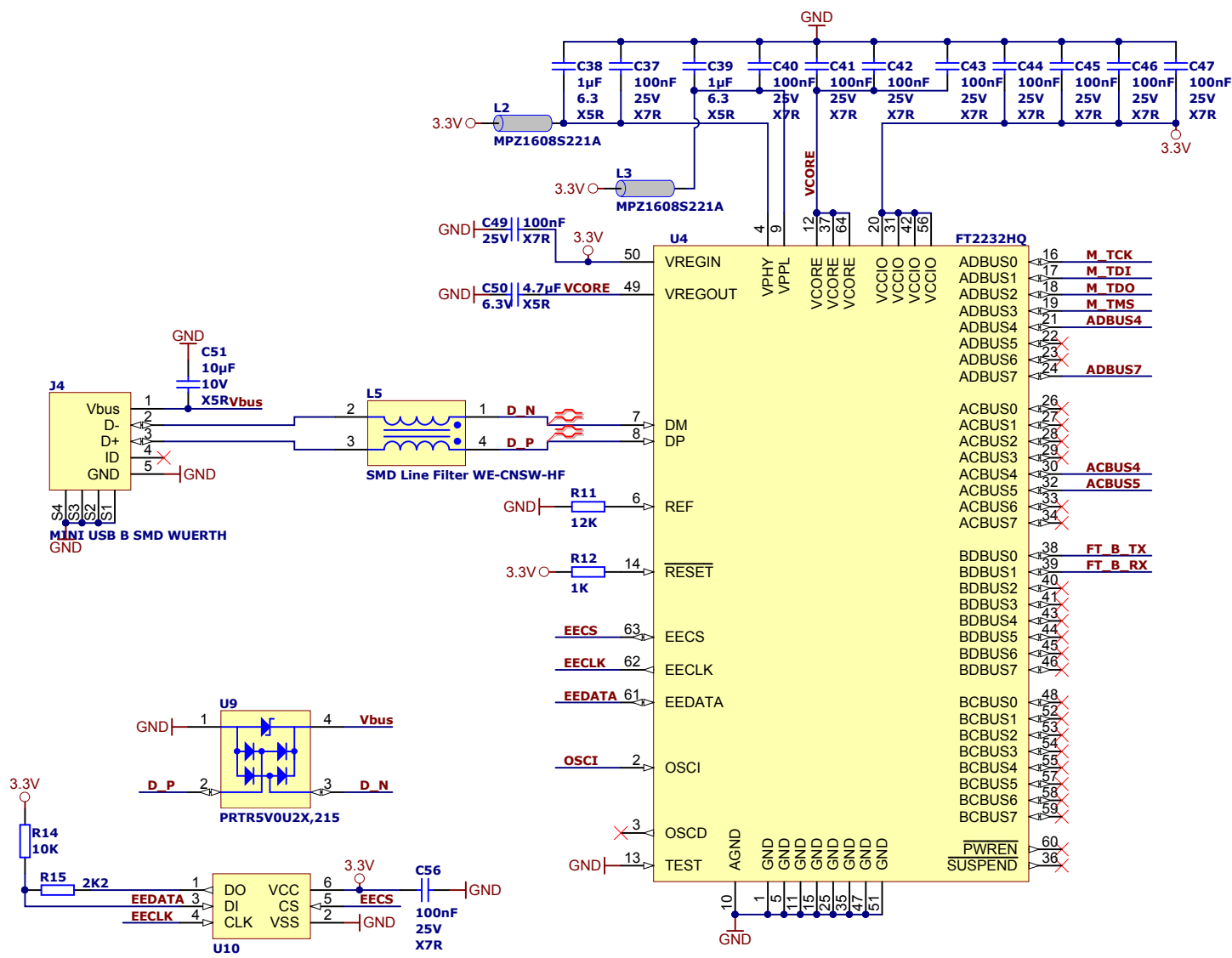


	Title: <b>Power</b>		
	A4	Nummer: <b>TE0703</b> Variant name not interpreted	Rev. <b>01</b>
	Datum: 2013-12-27	Zeichner: Trenz Electronic GmbH	Blatt 7 von 10
	Filename: <b>POWER.SchDoc</b>		

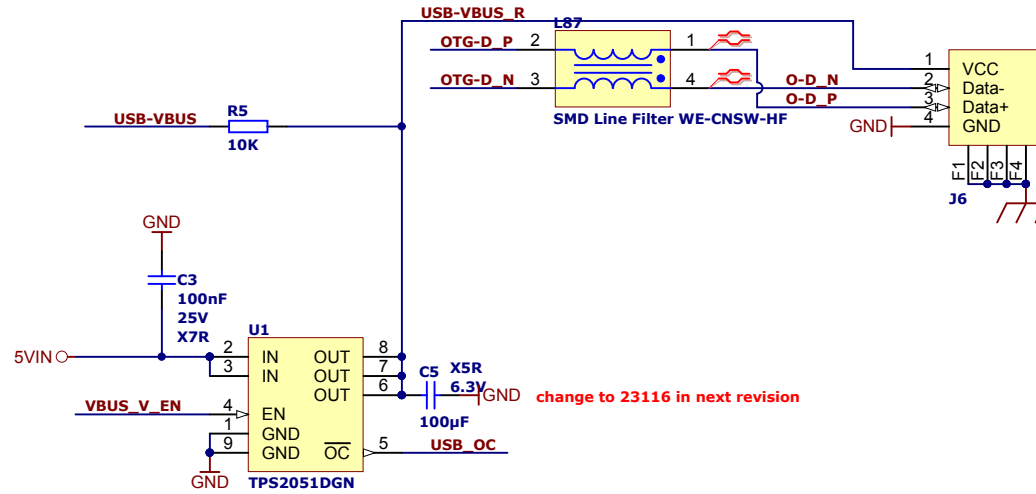



			Title: System Monitor	
			A4	Number: TE0703 Variant name not interpreted
Date: 2013-12-27		Copyright: Trenz Electronic GmbH		Page 8 of 10
Filename: CPLD.SchDoc				





Title: <b>USB-JTAG</b>		
A4	Number: <b>TE0703</b> Variant name not interpreted	Rev. <b>01</b>
Date: <b>2013-12-27</b>	Copyright: <b>Trenz Electronic GmbH</b>	Page <b>9</b> of <b>10</b>
Filename: <b>FTDI.SchDoc</b>		



	Title: <b>USB</b>		
	A4	Number: <b>TE0703</b> Variant name not interpreted	Rev. <b>01</b>
	Date: <b>2013-12-27</b>	Copyright: <b>Trenz Electronic GmbH</b>	Page <b>10</b> of <b>10</b>
	Filename: <b>USB.SchDoc</b>		