

1

2

3

4

U\_B2B\_Connectors  
B2B\_Connectors.SchDoc



Ethernet  
Ethernet.SchDoc



U\_FTDI  
FTDI.SchDoc



U\_CPLD  
CPLD.SchDoc



U\_VG\_CONN  
VG\_CONN.SchDoc



U\_USB  
USB.SchDoc



SDCard  
SDCard.SchDoc



U\_CPLD  
CPLD.SchDoc



U\_POWER  
POWER.SchDoc



U\_POWER  
POWER.SchDoc



U\_LED\_SW\_BUT  
LED\_SW\_BUT.SchDoc



U\_LED\_SW\_BUT  
LED\_SW\_BUT.SchDoc



PM1



PM2



PM3



PM4

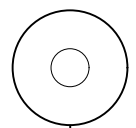


PM5

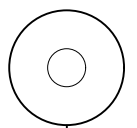


PM6

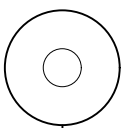
Mount.Hole 3.2mm Mount.Hole 3.2mm Mount.Hole 3.2mm Mount.Hole 3.2mm



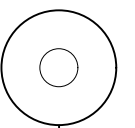
GND



GND

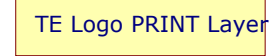


GND



GND

LOGO1



LOGO PRINT



Title: Overview		
A4	Number: TE0703 Variant name not interpreted	Rev. 02
Date: 2013-12-27	Copyright: Trenz Electronic GmbH	Page1 of 10
Filename: TE0703.SchDoc		

1

2

3

4

A

B

C

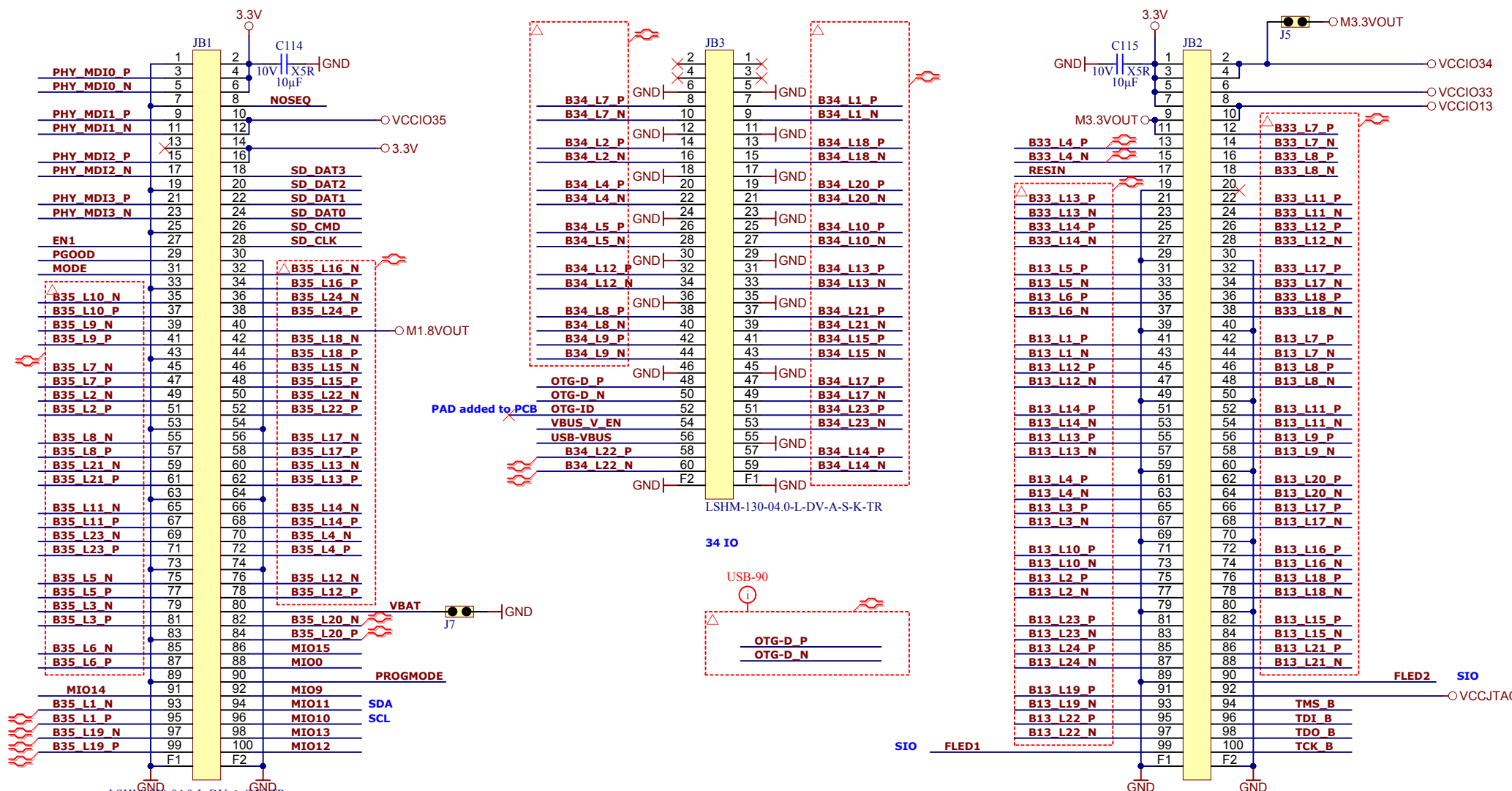
D

A

B

C

D



LSHM-150-04.0-L-DV-A-S-K-TR

LSHM-130-04.0-L-DV-A-S-K-TR

LSHM-150-04.0-L-DV-A-S-K-TR

48 IO  
 8 MIO 3.3V  
 6 MIO 1.8V

34 IO

68 IO



Title: B2B Connector		
A4	Number: TE0703 Variant name not interpreted	Rev. 02
Date: 2013-12-27	Copyright: Trenz Electronic GmbH	Page2 of 10
Filename: B2B_Connectors.SchDoc		

A

A

B

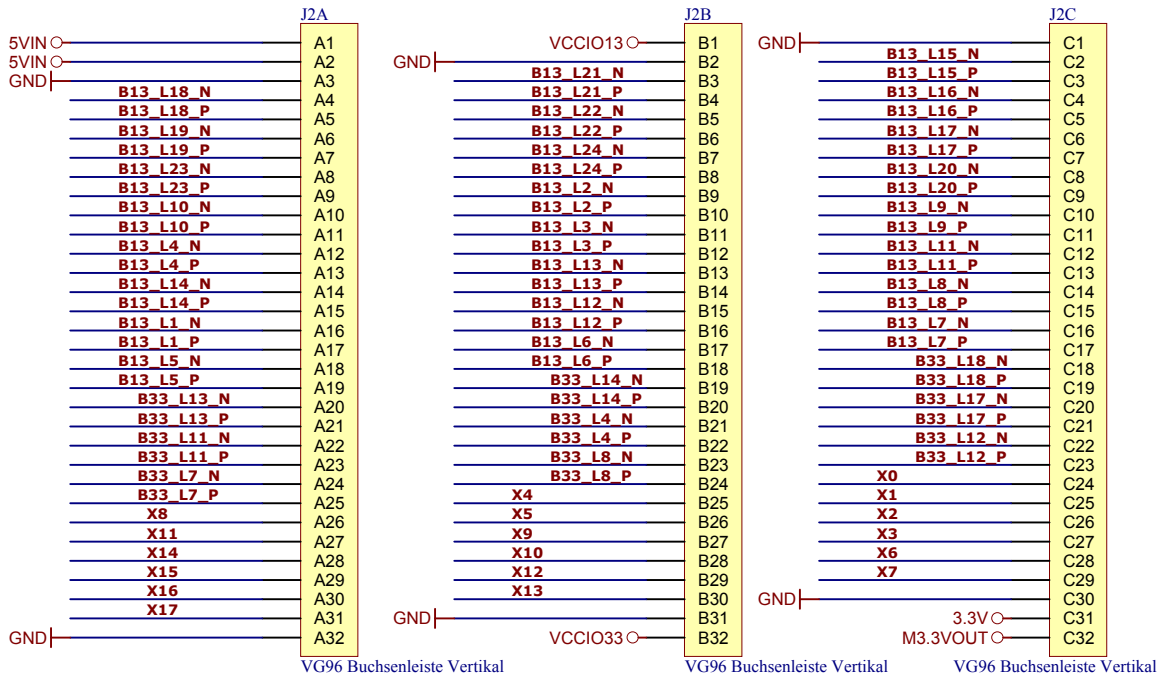
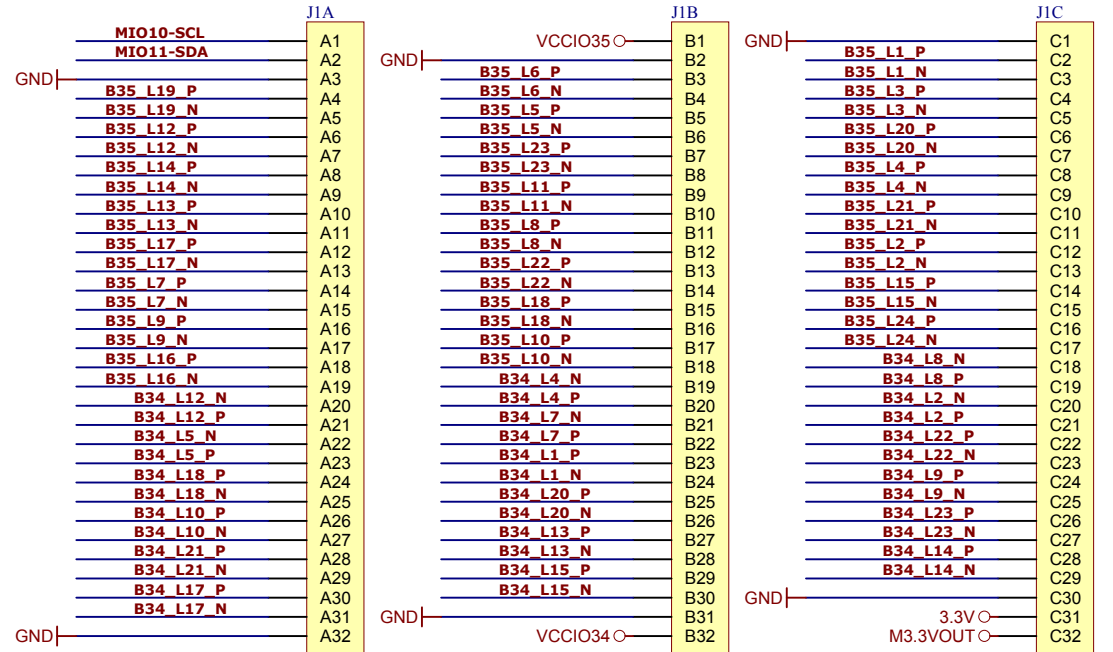
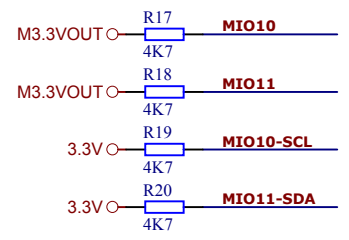
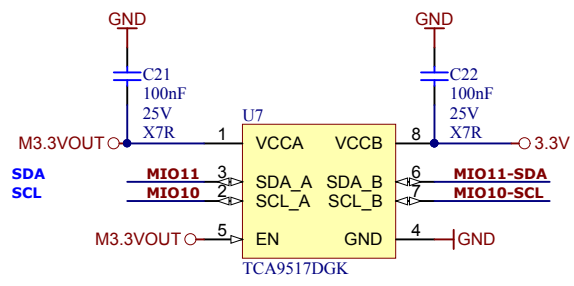
B

C

C

D

D



Title: External Connector		
A4	Number: TE0703 Variant name not interpreted	Rev. 02
Date: 2013-12-27	Copyright: Trenz Electronic GmbH	Page3 of 10
Filename: VG_CONN.SchDoc		

1

2

3

4

A

A

B

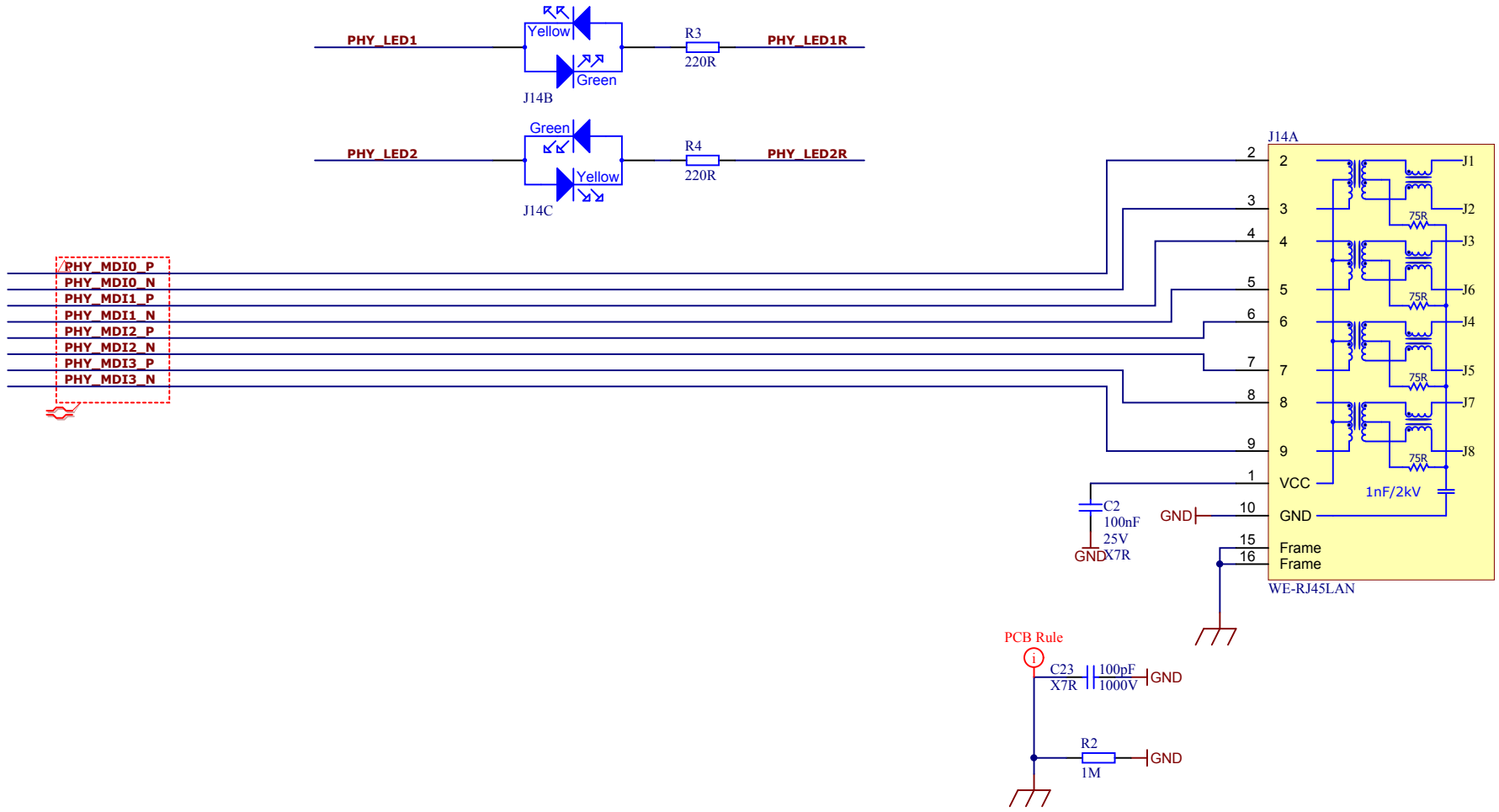
B

C

C

D

D



Title: Ethernet		
A4	Nummer: TE0703 Variant name not interpreted	Rev. 02
Datum: 2013-12-27	Zeichner: Trenz Electronic GmbH	Blatt 4 von 10
Filename: Ethernet.SchDoc		

1

2

3

4

1

2

3

4

A

A

B

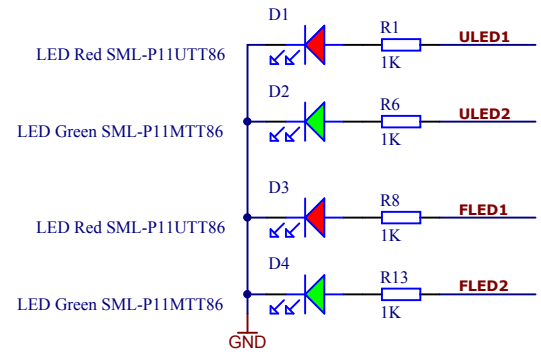
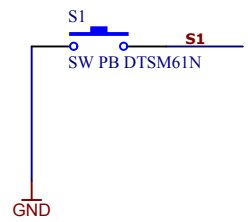
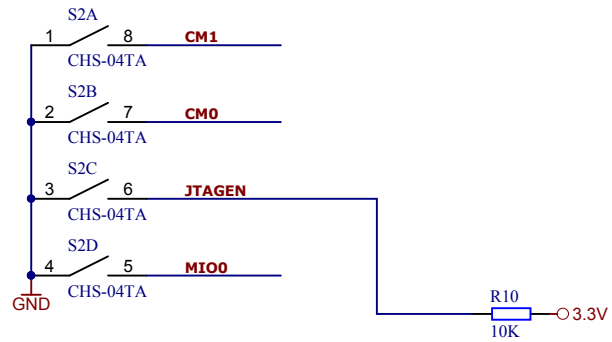
B

C

C

D

D



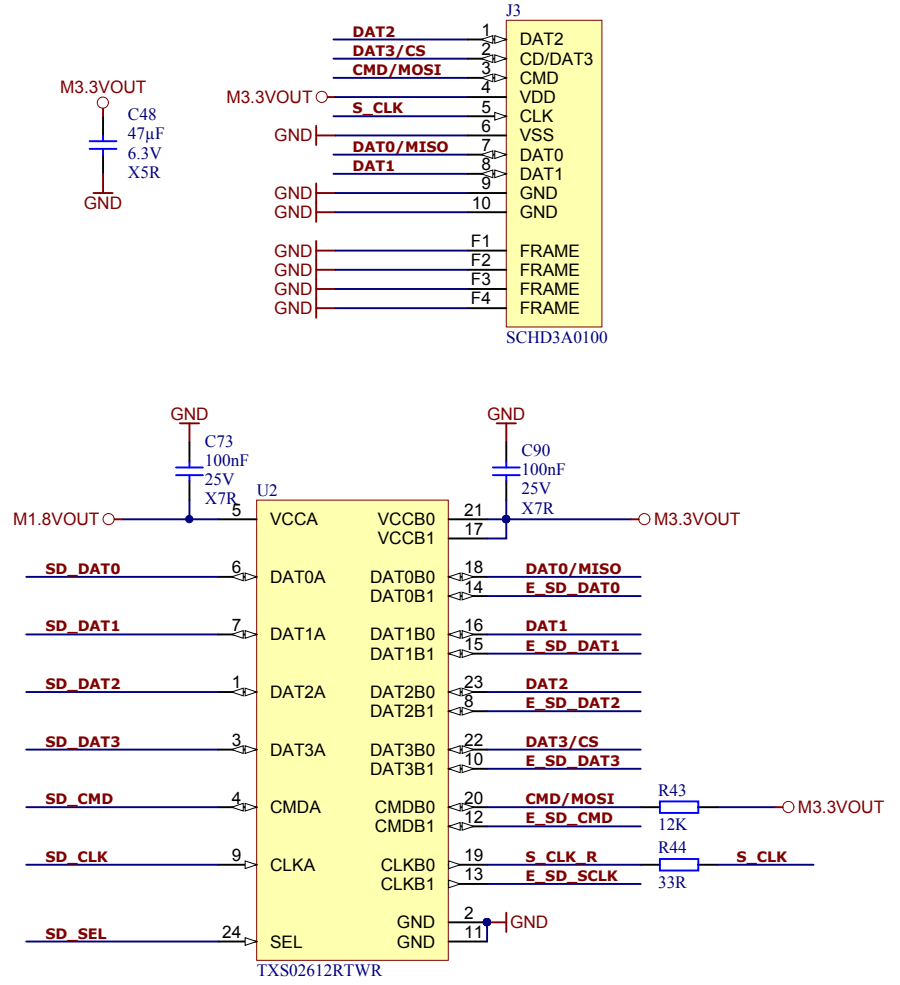
Title: LED-Switch		
A4	Number: TE0703 Variant name not interpreted	Rev. 02
Date: 2013-12-27	Copyright: Trenz Electronic GmbH	Page5 of 10
Filename: LED_SW_BUT.SchDoc		

1

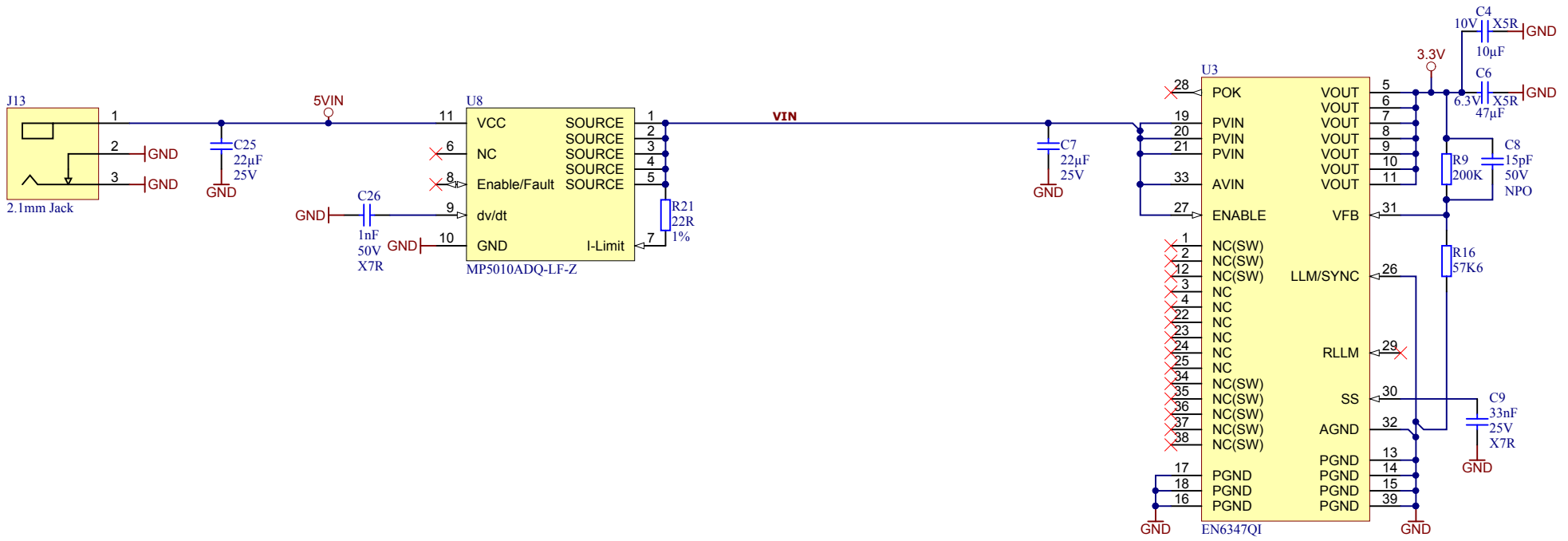
2


3

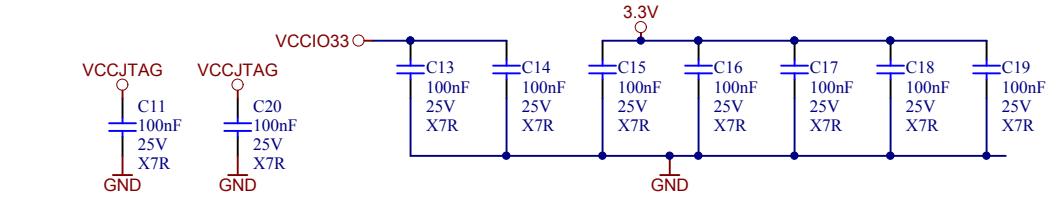
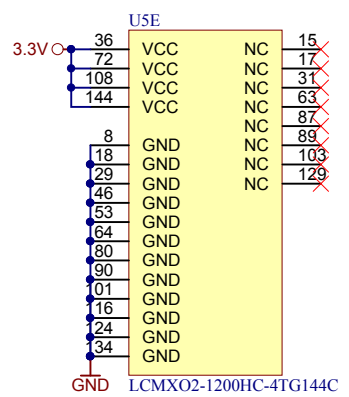
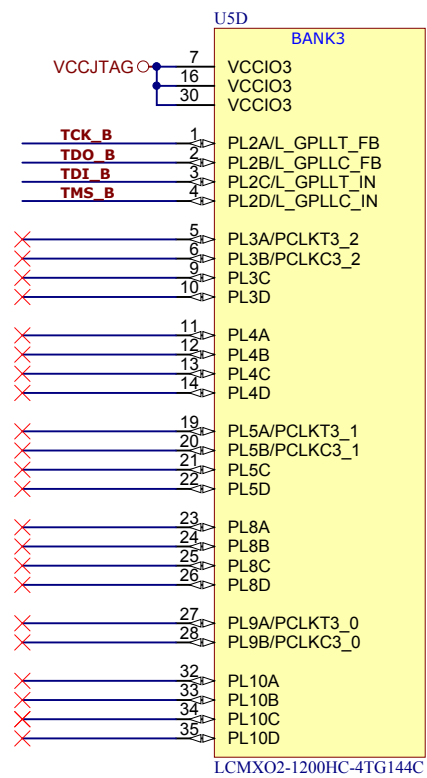
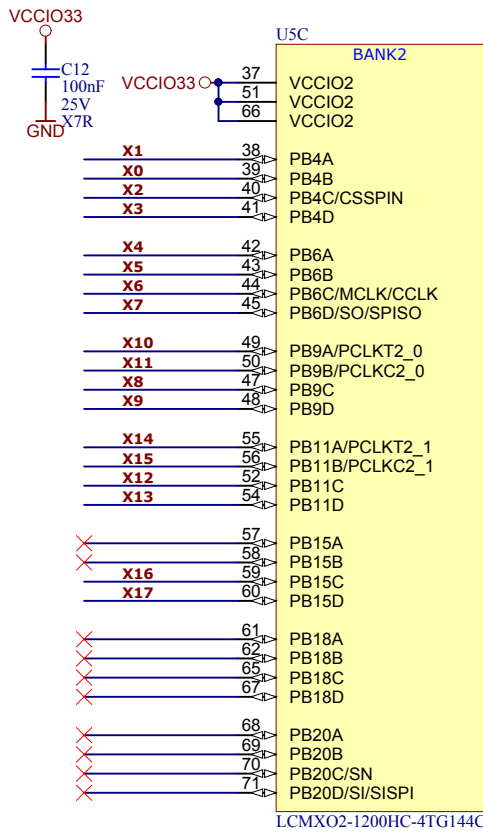
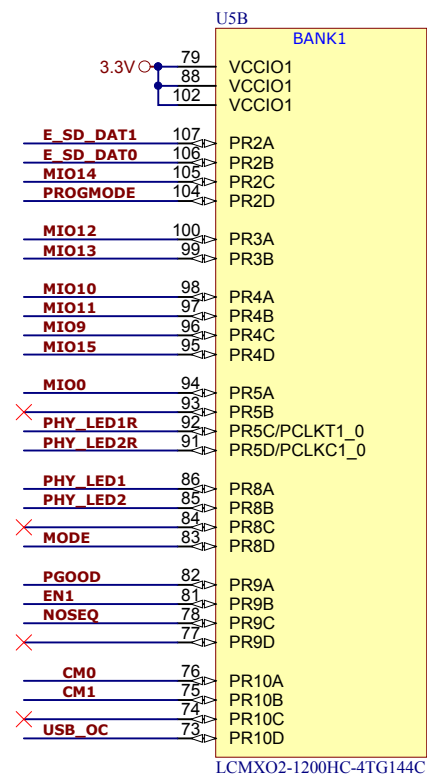
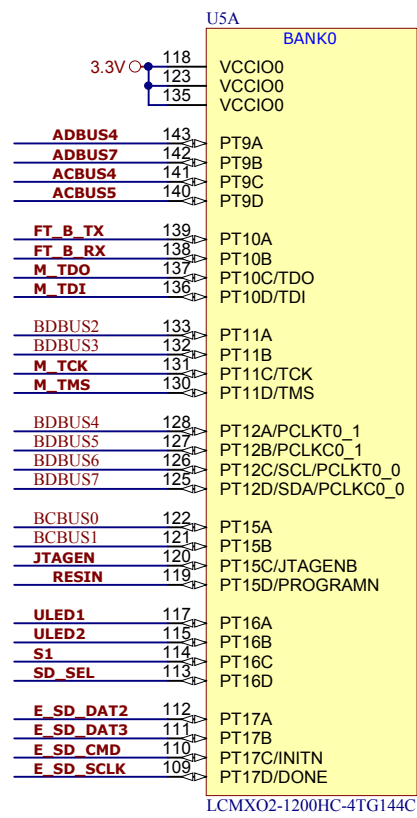
4



	Title: SD Card		
	A4	Number: TE0703 Variant name not interpreted	Rev. 02
	Date: 2013-12-27	Copyright: Trenz Electronic GmbH	Page6 of 10
	Filename: SDCard.SchDoc		

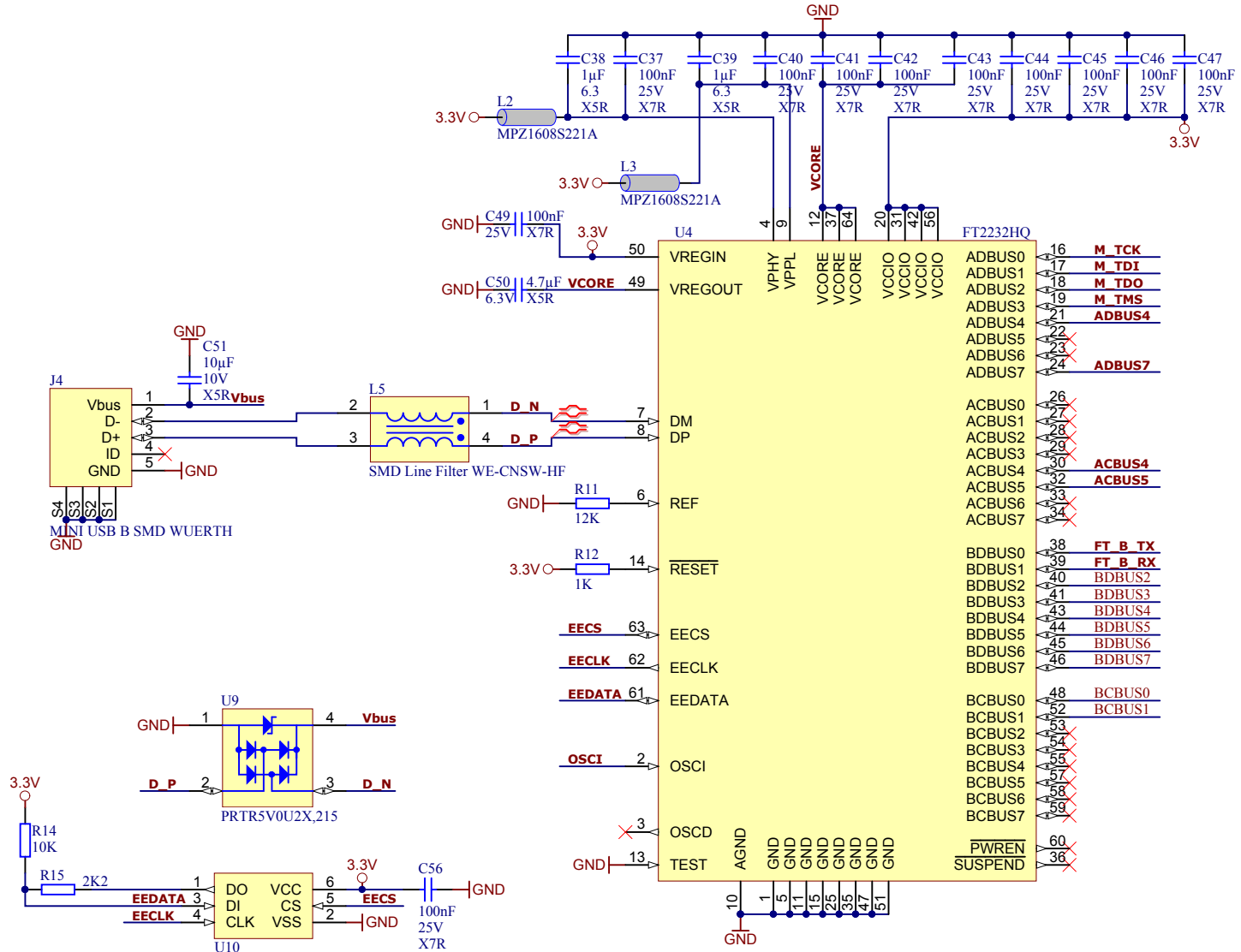


	Title: <b>Power</b>		
	A4	Nummer: <b>TE0703</b> Variant name not interpreted	Rev. <b>02</b>
	Datum: 2013-12-27	Zeichner: Trenz Electronic GmbH	Blatt 7 von 10
	Filename: <b>POWER.SchDoc</b>		



Title: <b>System Monitor</b>		
A4	Number: <b>TE0703</b> Variant name not interpreted	Rev. <b>02</b>
Date: <b>2013-12-27</b>	Copyright: Trenz Electronic GmbH	Page <b>8</b> of <b>10</b>
Filename: <b>CPLD.SchDoc</b>		

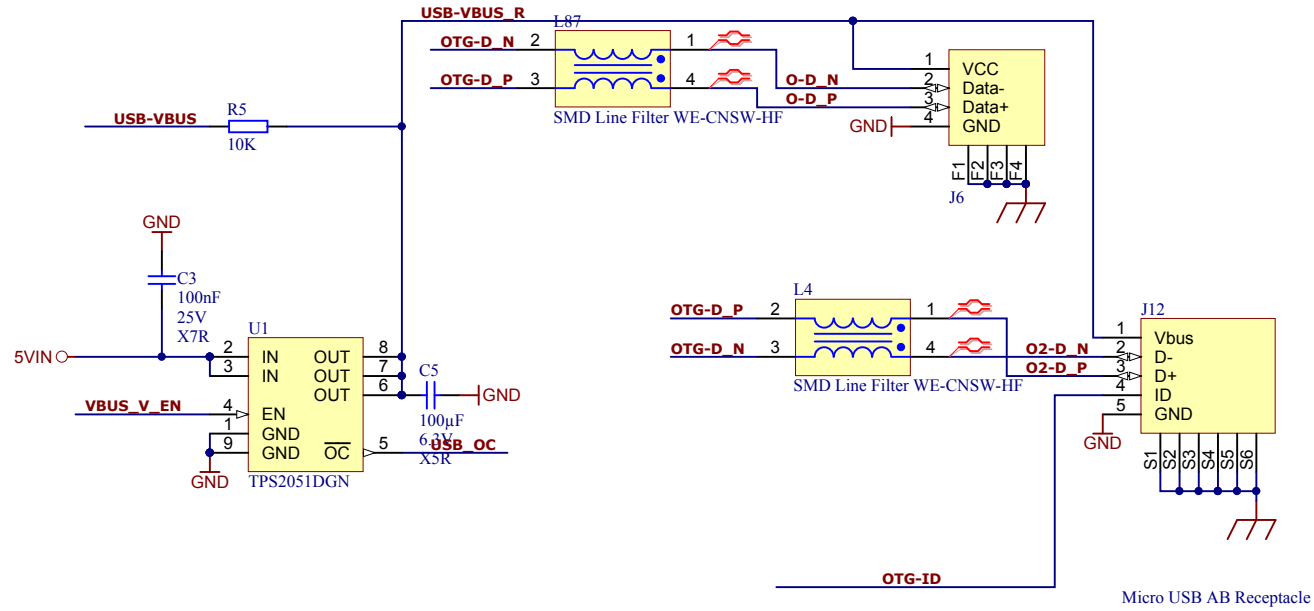





16	M_TCK
17	M_TDI
18	M_TDO
19	M_TMS
21	ADBUS4
22	ADBUS7
23	ADBUS7
24	ADBUS7
26	ACBUS0
27	ACBUS1
28	ACBUS2
29	ACBUS3
30	ACBUS4
32	ACBUS5
33	ACBUS6
34	ACBUS7
38	FT_B_TX
39	FT_B_RX
40	BDBUS2
41	BDBUS3
43	BDBUS4
44	BDBUS5
45	BDBUS6
46	BDBUS7
48	BCBUS0
52	BCBUS1
53	BCBUS2
54	BCBUS3
55	BCBUS4
57	BCBUS5
58	BCBUS6
59	BCBUS7
60	PWREN
36	SUSPEND



Title: USB-JTAG		
A4	Number: TE0703 Variant name not interpreted	Rev. 02
Date: 2013-12-27	Copyright: Trenz Electronic GmbH	Page9 of 10
Filename: FTDI.SchDoc		



	Title: <b>USB</b>		
	A4	Number: <b>TE0703</b> Variant name not interpreted	Rev. <b>02</b>
	Date: <b>2013-12-27</b>	Copyright: <b>Trenz Electronic GmbH</b>	Page <b>10</b> of <b>10</b>
	Filename: <b>USB.SchDoc</b>		