

1

2

3

4

U\_B2B\_Connectors  
B2B\_Connectors.SchDoc



Ethernet  
Ethernet.SchDoc



U\_FTDI  
FTDI.SchDoc



U\_CPLD  
CPLD.SchDoc



U\_VG\_CONN  
VG\_CONN.SchDoc



U\_USB  
USB.SchDoc



SDCard  
SDCard.SchDoc



U\_CPLD  
CPLD.SchDoc



U\_POWER  
POWER.SchDoc



U\_POWER  
POWER.SchDoc



U\_LED\_SW\_BUT  
LED\_SW\_BUT.SchDoc



U\_LED\_SW\_BUT  
LED\_SW\_BUT.SchDoc



PM1



PM2



PM3



PM4

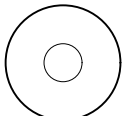


PM5

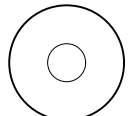


PM6

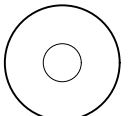
Mount.Hole 3.2mm Mount.Hole 3.2mm Mount.Hole 3.2mm Mount.Hole 3.2mm



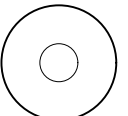
GND



GND



GND



GND

LOGO1



LOGO PRINT



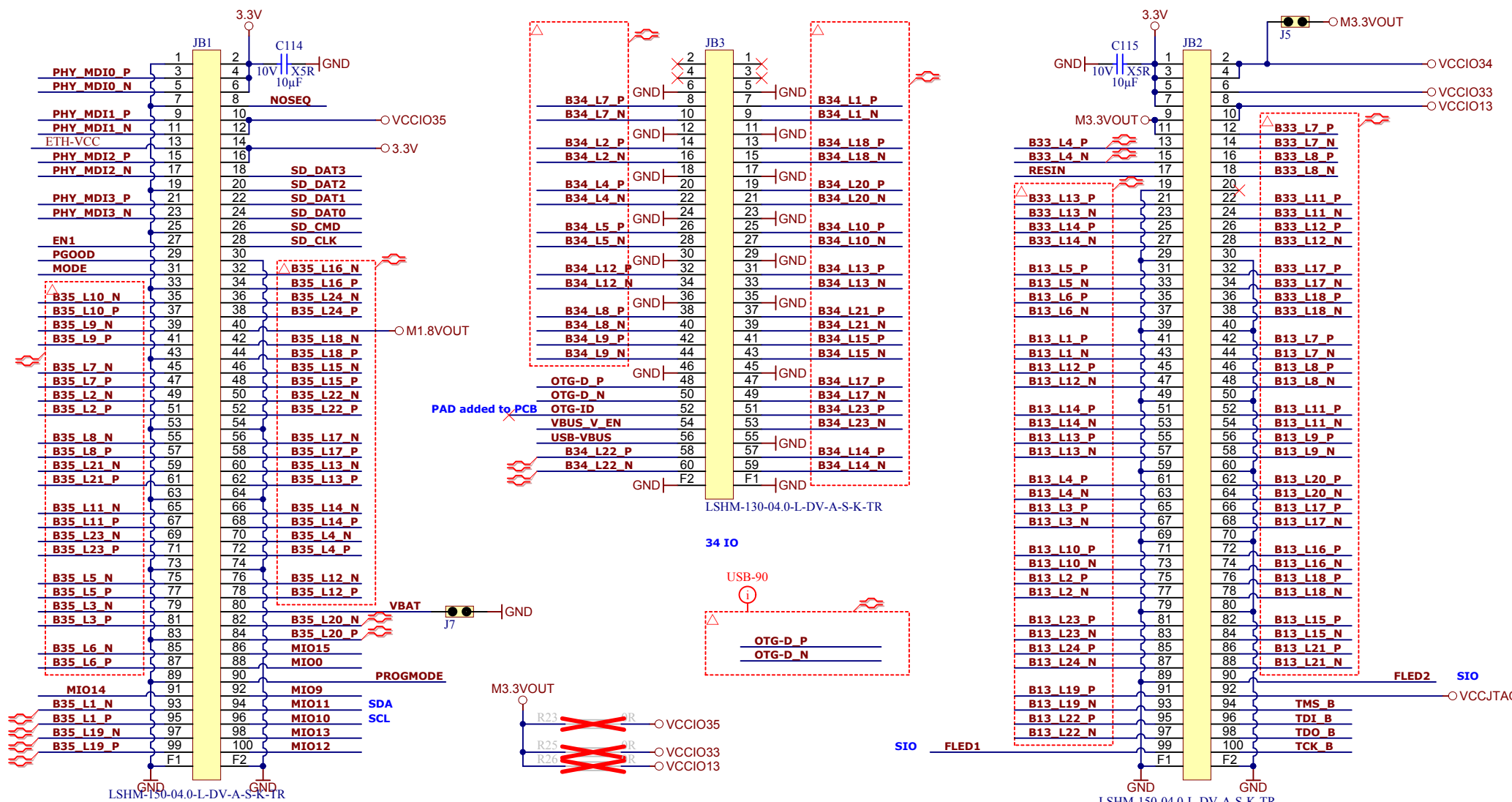
Title: Overview		
A4	Number: TE0703 TE0703	Rev. 03
Date: 2014-08-19	Copyright: Trenz Electronic GmbH	Page1 of 10
Filename: TE0703.SchDoc		

1

2

3

4



LSHM-150-04.0-L-DV-A-S-K-TR

LSHM-130-04.0-L-DV-A-S-K-TR

LSHM-150-04.0-L-DV-A-S-K-TR

48 IO  
 8 MIO 3.3V  
 6 MIO 1.8V

34 IO

68 IO



Title: B2B Connector		
A4	Number: TE0703 TE0703	Rev. 03
Date: 2014-08-19	Copyright: Trenz Electronic GmbH	Page2 of 10
Filename: B2B_Connectors.SchDoc		

A

A

B

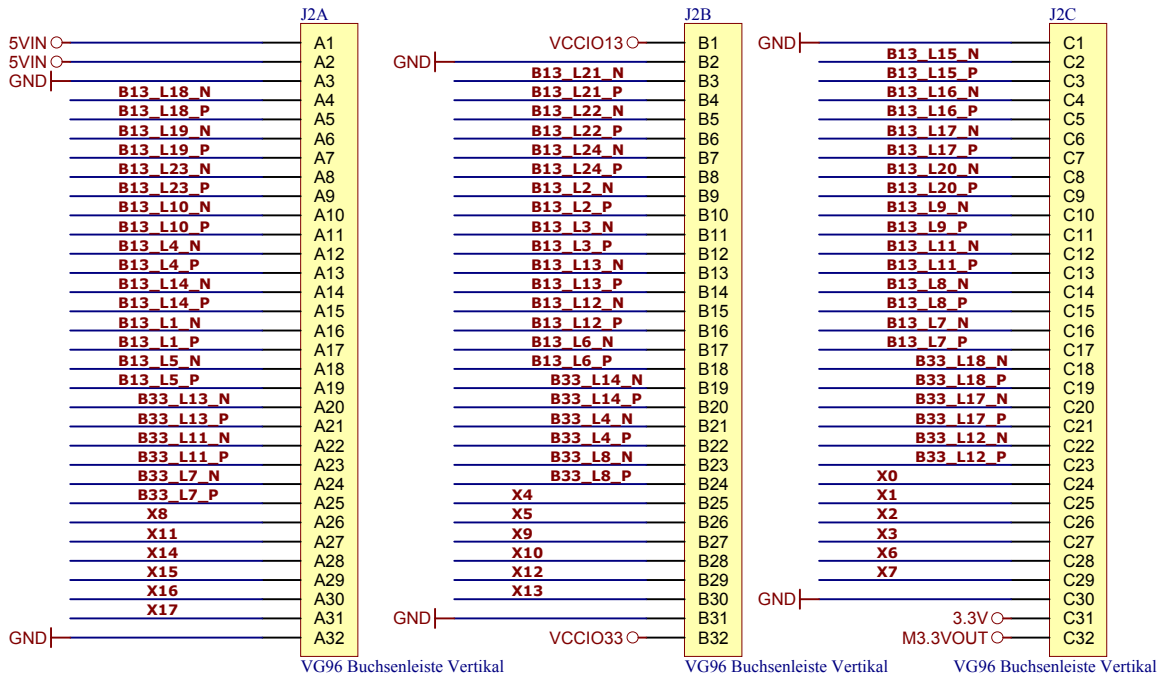
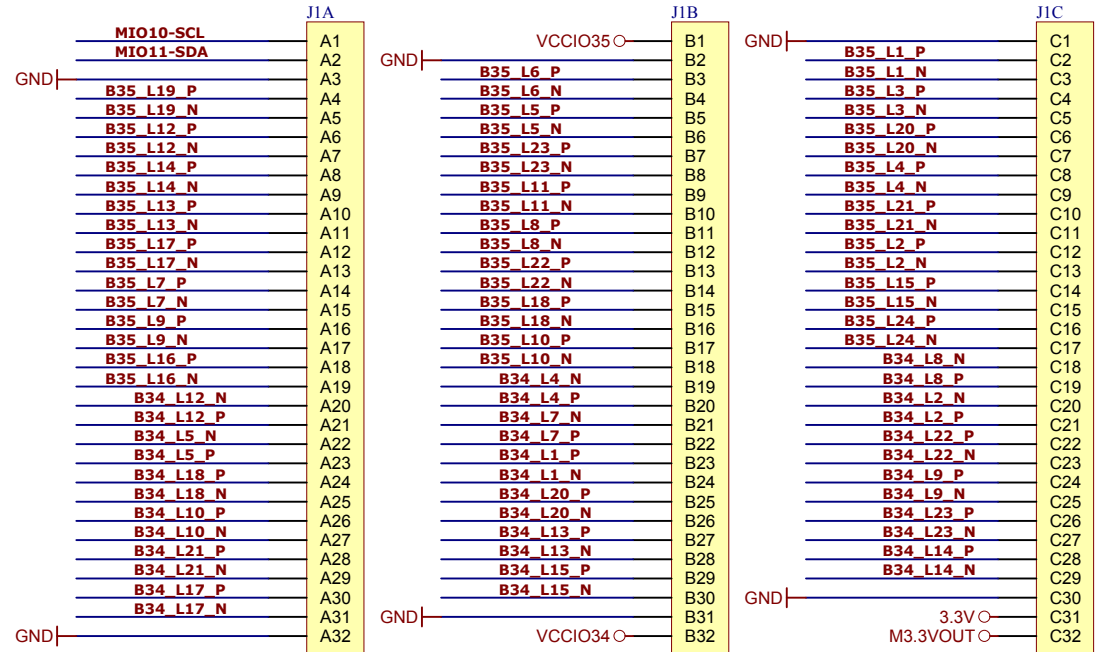
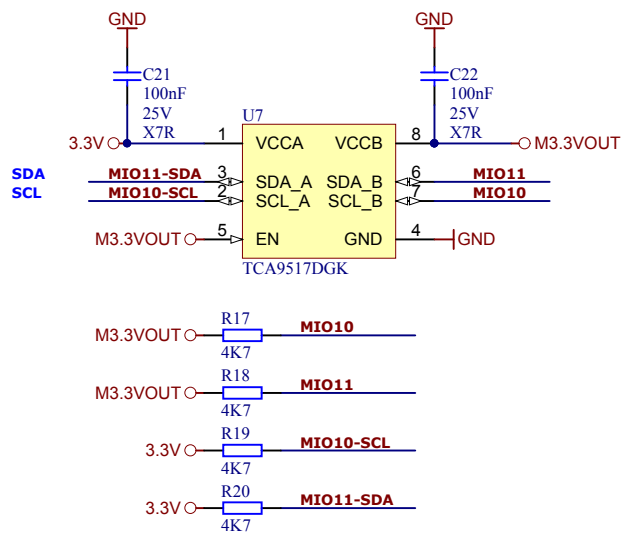
B

C

C

D

D



Title: External Connector		
A4	Number: TE0703 TE0703	Rev. 03
Date: 2014-08-19	Copyright: Trenz Electronic GmbH	Page3 of 10
Filename: VG_CONN.SchDoc		

1

2

3

4

A

A

B

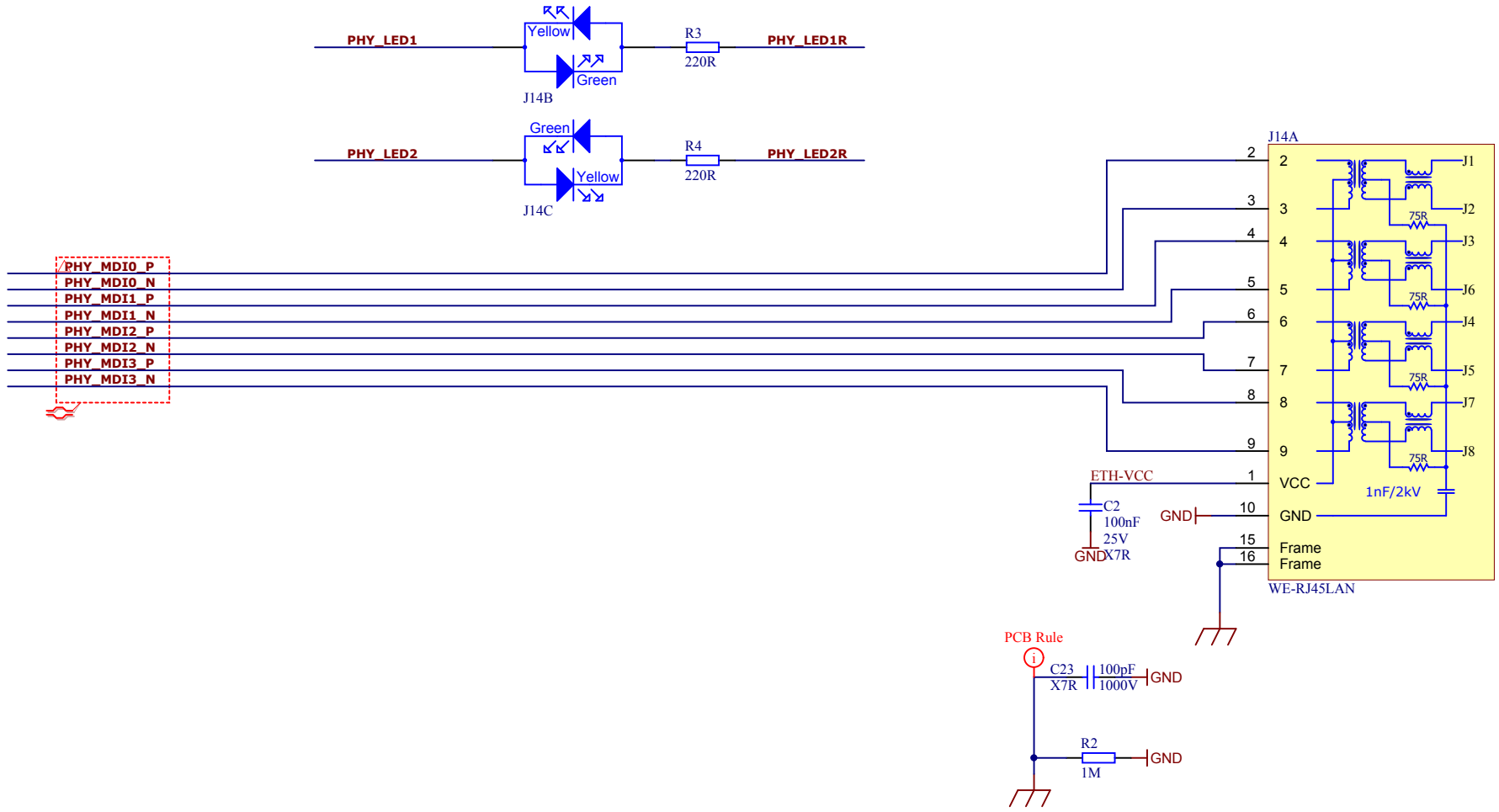
B

C

C

D

D



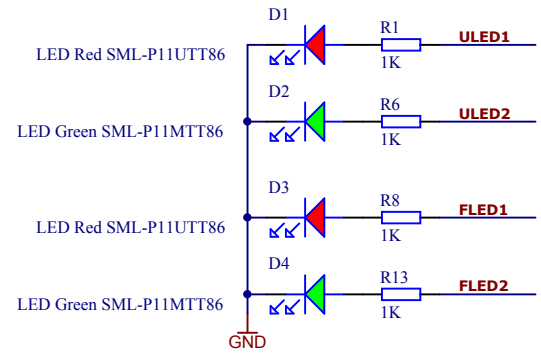
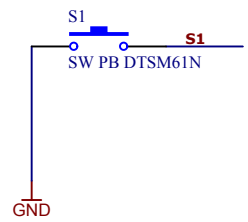
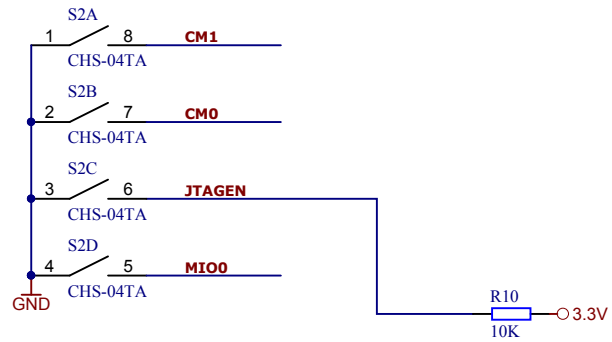
Title: Ethernet		
A4	Nummer: TE0703 TE0703	Rev. 03
Datum: 2014-08-19	Zeichner: Trenz Electronic GmbH	Blatt 4 von 10
Filename: Ethernet.SchDoc		

1

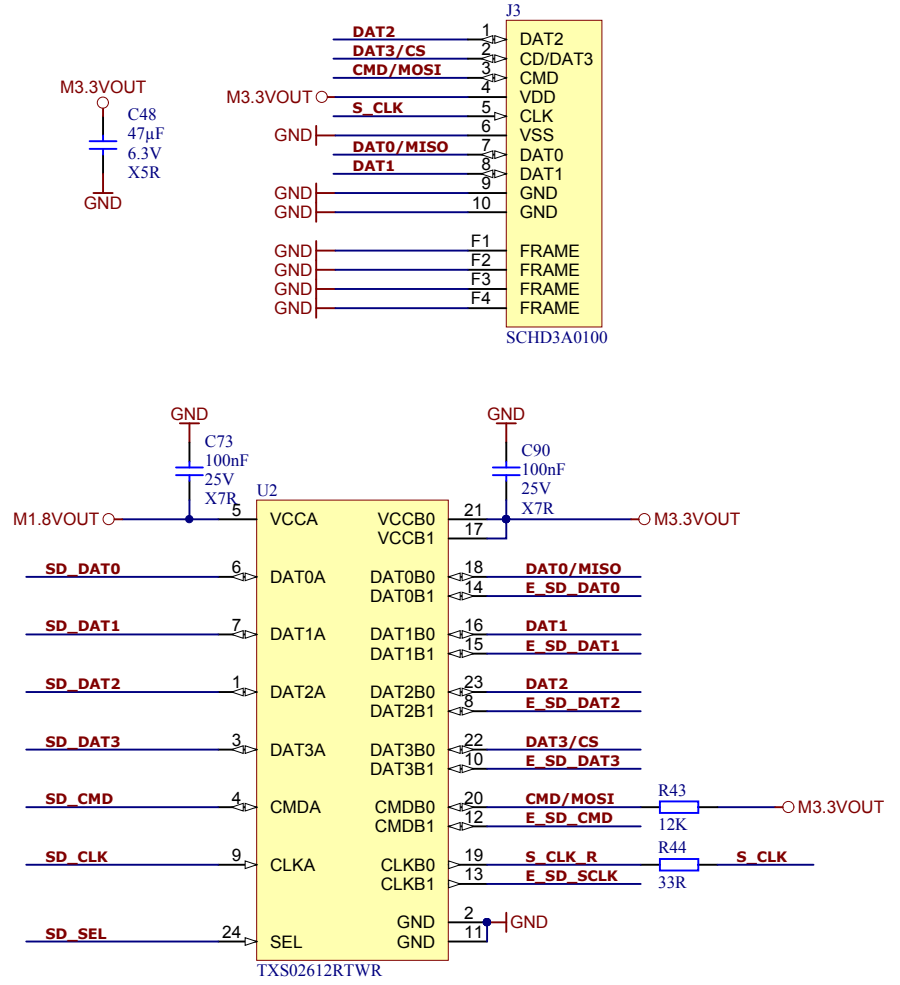
2

3

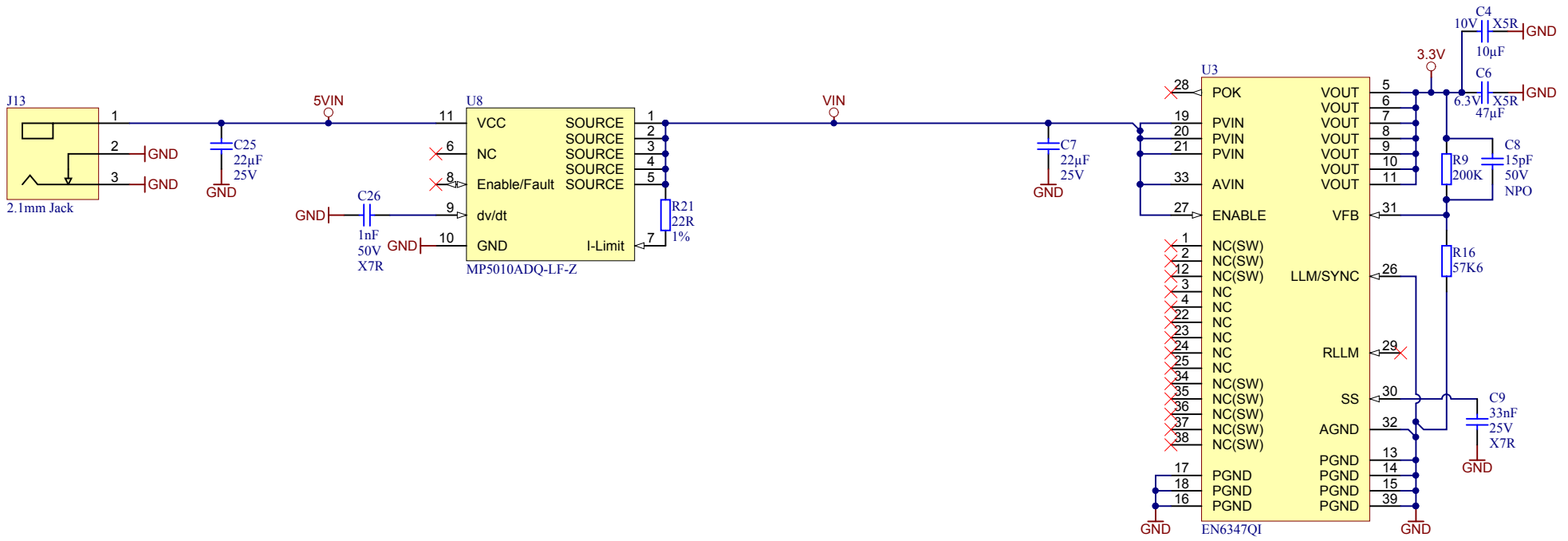
4




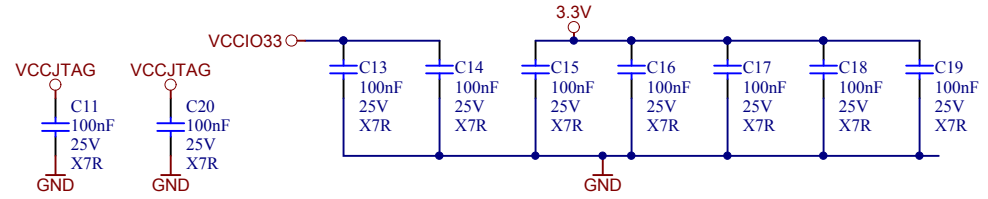
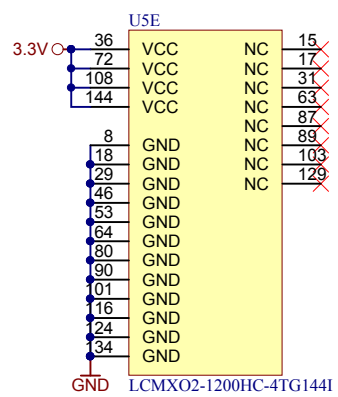
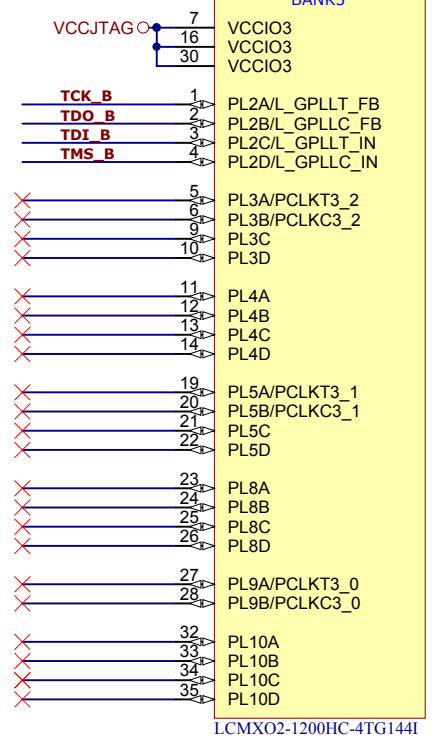
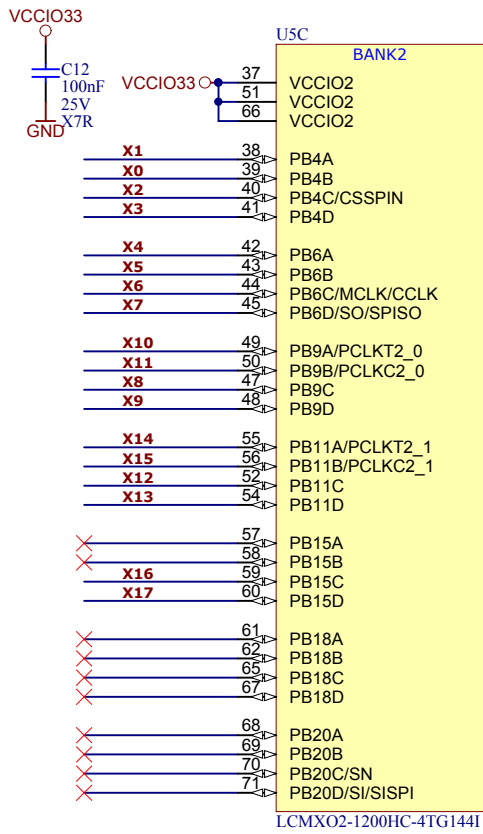
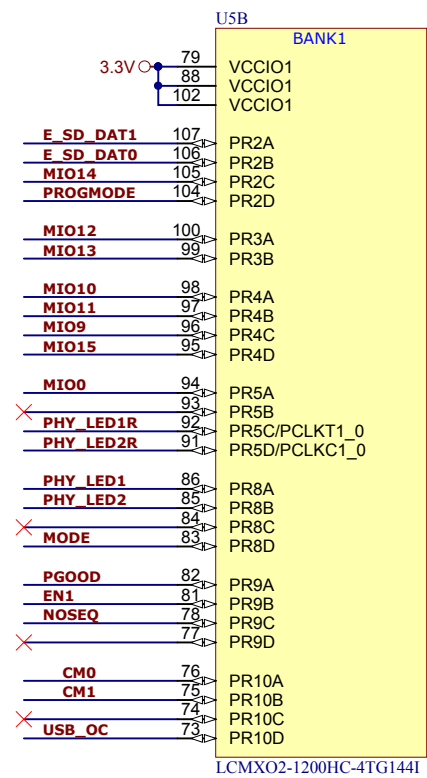
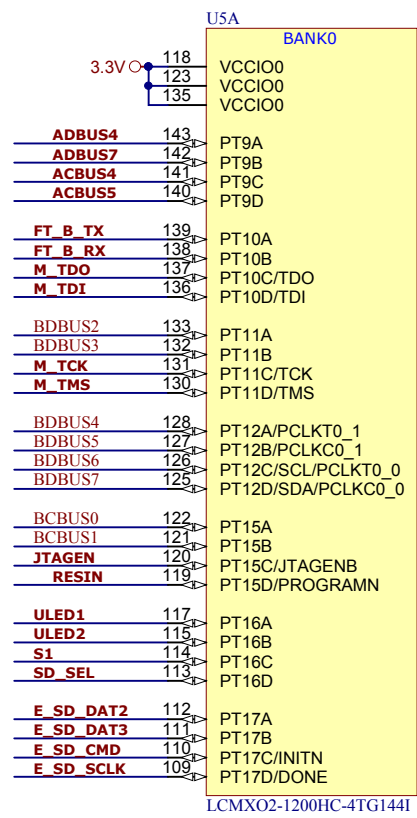

Title: LED-Switch		
A4	Number: TE0703 TE0703	Rev. 03
Date: 2014-08-19	Copyright: Trenz Electronic GmbH	Page 5 of 10
Filename: LED_SW_BUT.SchDoc		



	Title: SD Card		
	A4	Number: TE0703 TE0703	Rev. 03
	Date: 2014-08-19	Copyright: Trenz Electronic GmbH	Page6 of 10
	Filename: SDCard.SchDoc		



		Title: <b>Power</b>	
		A4	Nummer: <b>TE0703</b> <b>TE0703</b>
Datum: 2014-08-19		Zeichner: Trenz Electronic GmbH	
Blatt 7		von 10	
Filename: <b>POWER.SchDoc</b>			

Title: System Monitor		
A4	Number: TE0703 TE0703	Rev. 03
Date: 2014-08-19	Copyright: Trenz Electronic GmbH	Page 8 of 10
Filename: CPLD.SchDoc		



A

A

B

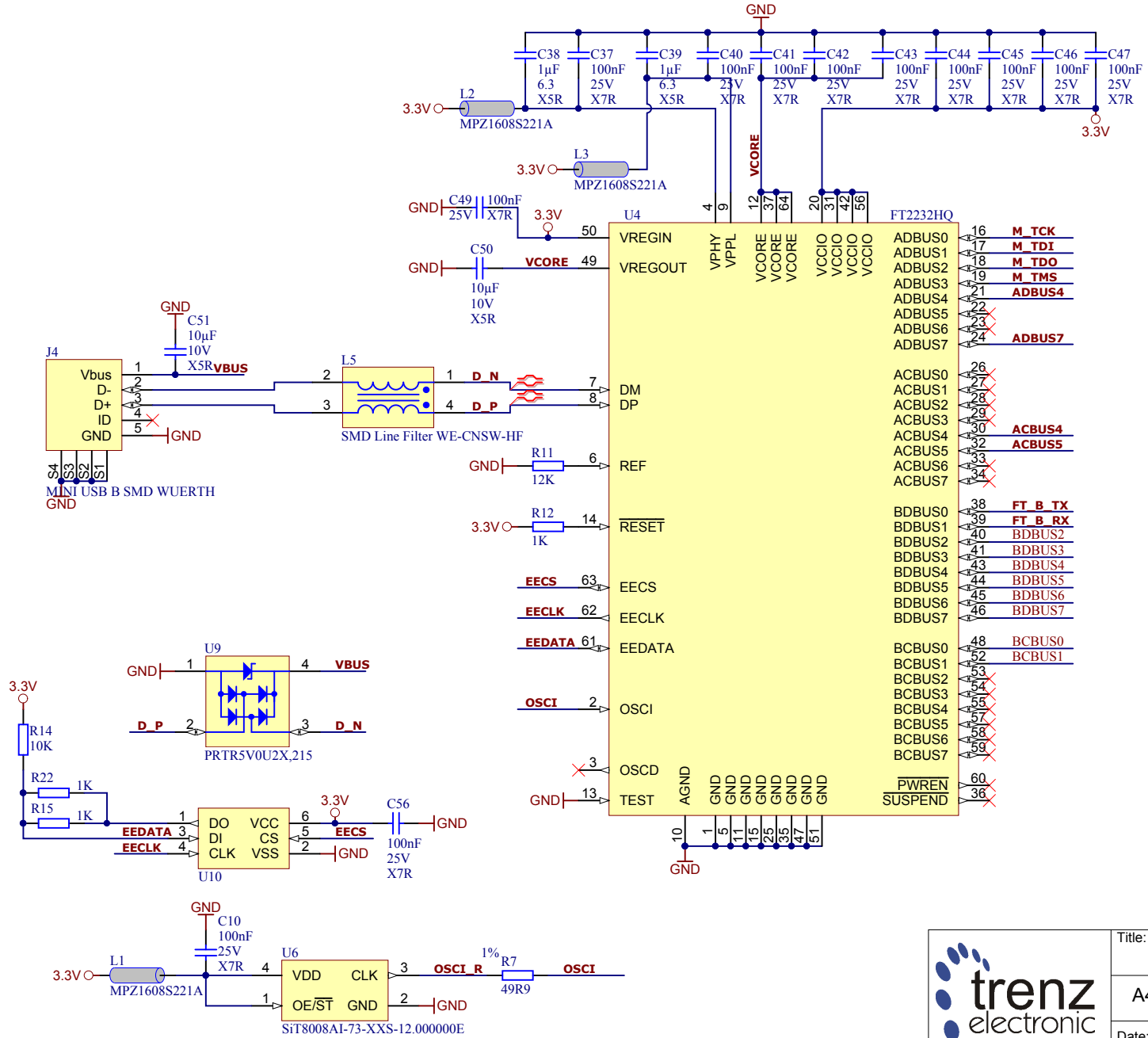
B

C

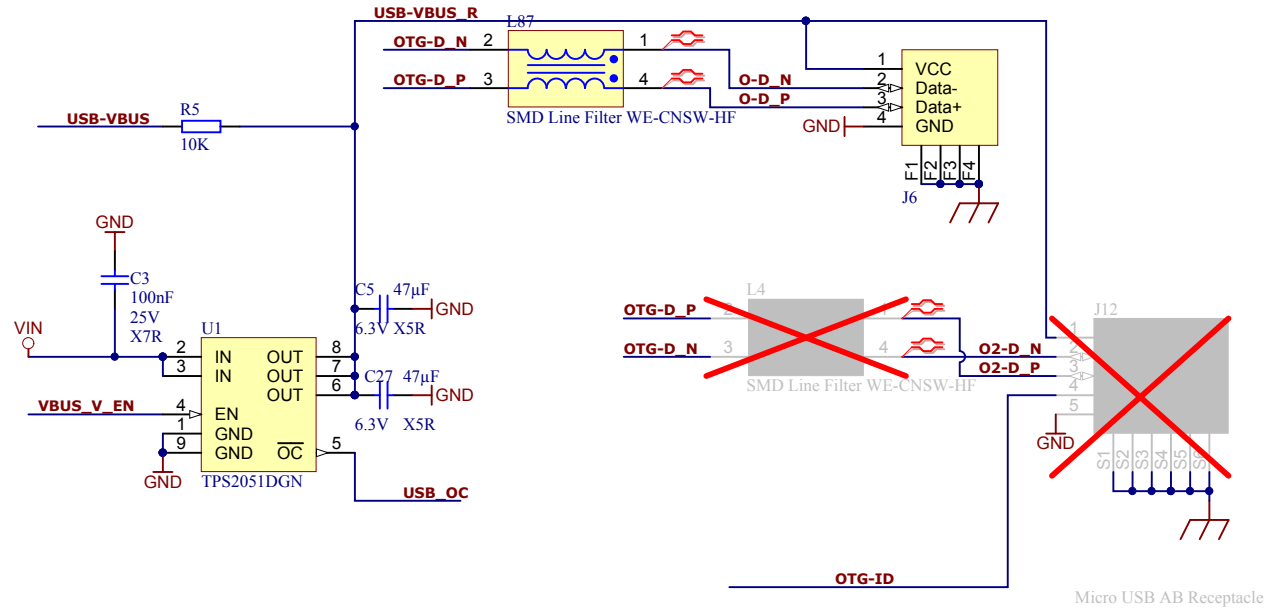
C


D

D



Title: <b>USB-JTAG</b>		
A4	Number: <b>TE0703</b> <b>TE0703</b>	Rev. <b>03</b>
Date: <b>2014-08-19</b>	Copyright: <b>Trenz Electronic GmbH</b>	Page <b>9</b> of <b>10</b>
Filename: <b>FTDI.SchDoc</b>		



	Title: <b>USB</b>		
	A4	Number: <b>TE0703</b> <b>TE0703</b>	Rev. <b>03</b>
	Date: <b>2014-08-19</b>	Copyright: <b>Trenz Electronic GmbH</b>	Page <b>10</b> of <b>10</b>
	Filename: <b>USB.SchDoc</b>		