

1

2

3

4

U_B2B_Connectors
B2B_Connectors.SchDoc



Ethernet
Ethernet.SchDoc



U_FTDI
FTDI.SchDoc



U_CPLD
CPLD.SchDoc



U_VG_CONN
VG_CONN.SchDoc



U_USB
USB.SchDoc



SDCard
SDCard.SchDoc



U_CPLD
CPLD.SchDoc



U_POWER
POWER.SchDoc



U_POWER
POWER.SchDoc



U_LED_SW_BUT
LED_SW_BUT.SchDoc



U_LED_SW_BUT
LED_SW_BUT.SchDoc



PM1



PM2



PM3



PM4

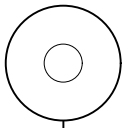


PM5

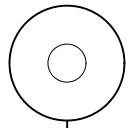


PM6

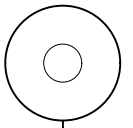
Mount.Hole 3.2mm Mount.Hole 3.2mm Mount.Hole 3.2mm Mount.Hole 3.2mm



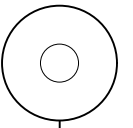
GND



GND



GND



GND

LOGO1



LOGO PRINT



Title: Overview		
A4	Number: TE0703 TE0703	Rev. 04
Date: 2014-12-12	Copyright: Trenz Electronic GmbH	Page1 of 10
Filename: TE0703.SchDoc		

1

2

3

4

A

B

C

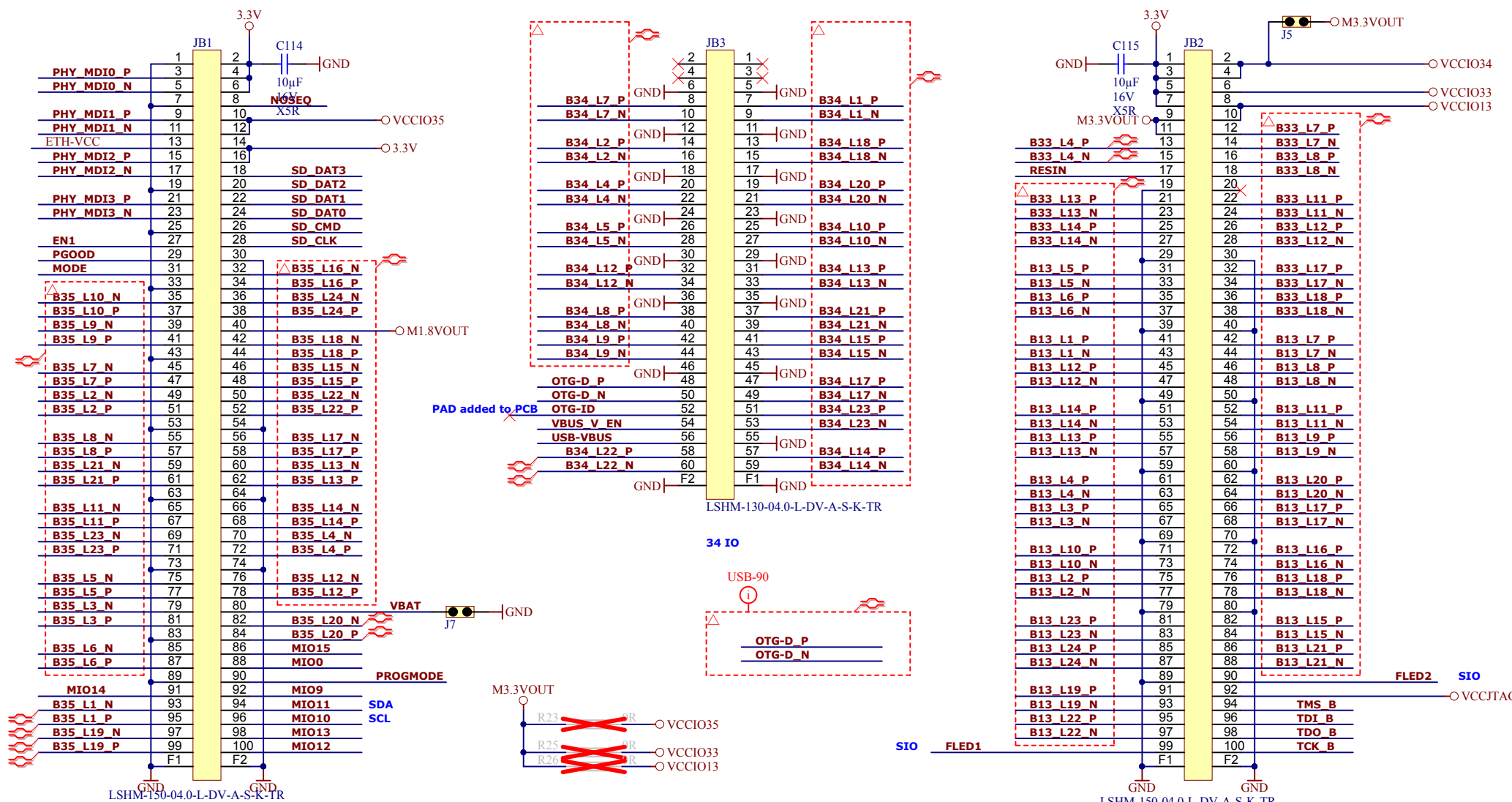
D

A

B

C

D



LSHM-150-04.0-L-DV-A-S-K-TR

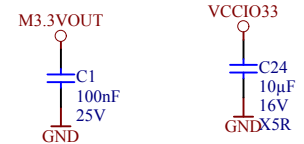
LSHM-130-04.0-L-DV-A-S-K-TR

LSHM-150-04.0-L-DV-A-S-K-TR

48 IO
 8 MIO 3.3V
 6 MIO 1.8V

34 IO

68 IO



Title: B2B Connector		
A4	Number: TE0703 TE0703	Rev. 04
Date: 2014-12-12	Copyright: Trenz Electronic GmbH	Page2 of 10
Filename: B2B_Connectors.SchDoc		

1

2

3

4

A

A

B

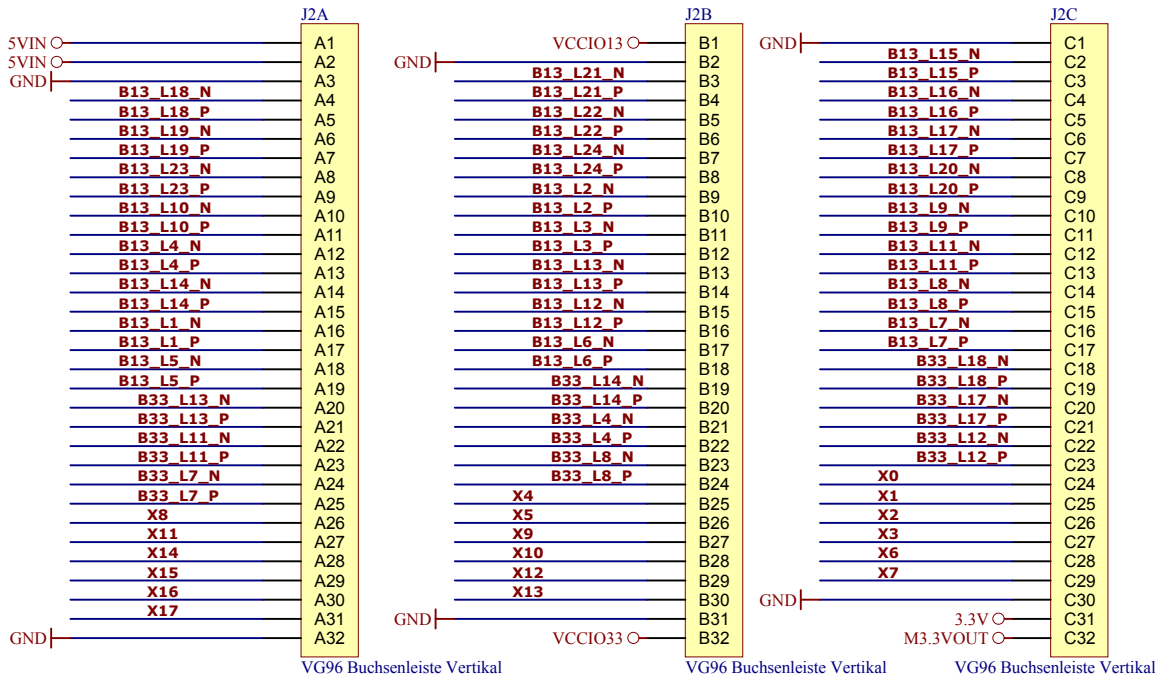
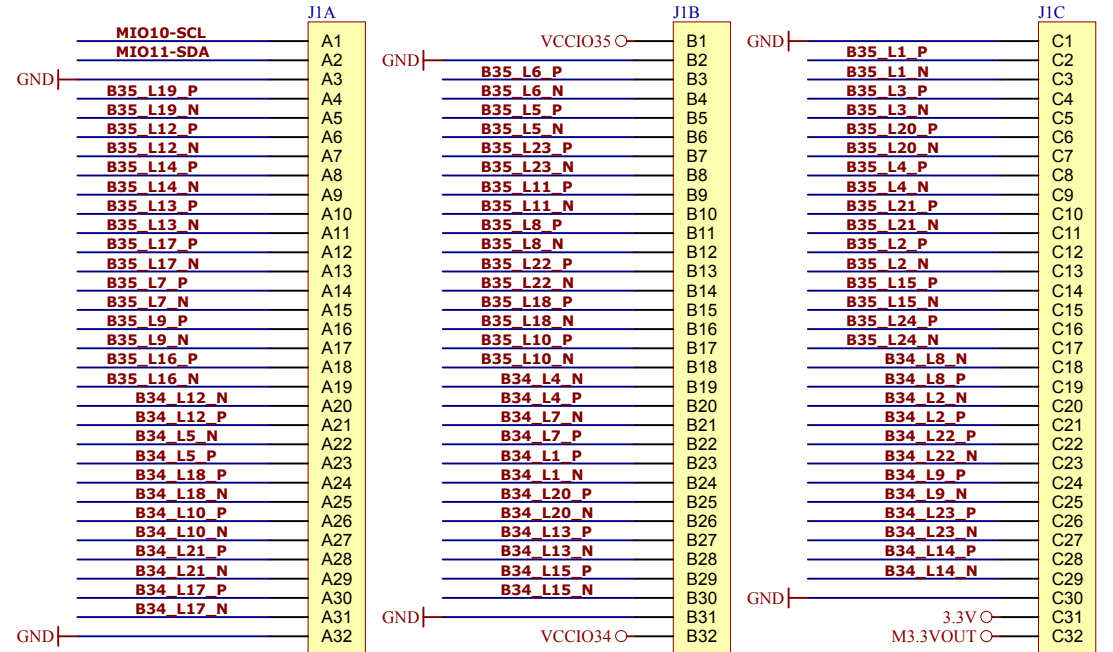
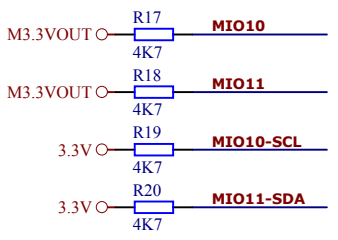
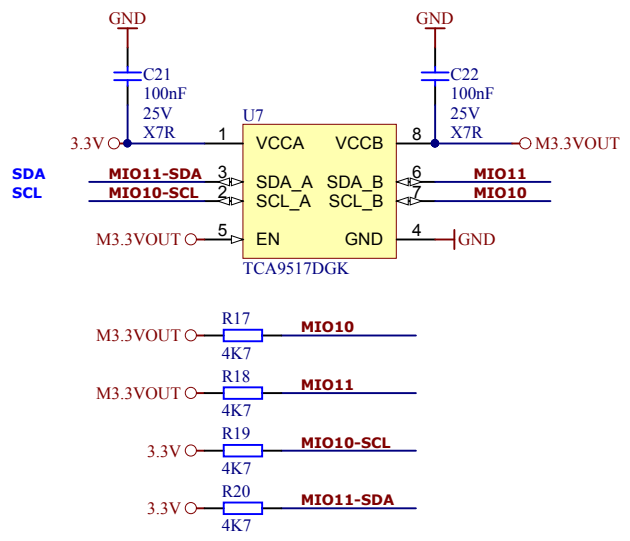
B

C

C

D

D



Title: External Connector		
A4	Number: TE0703 TE0703	Rev. 04
Date: 2014-12-12	Copyright: Trenz Electronic GmbH	Page3 of 10
Filename: VG_CONN.SchDoc		

1

2

3

4

1

2

3

4

A

A

B

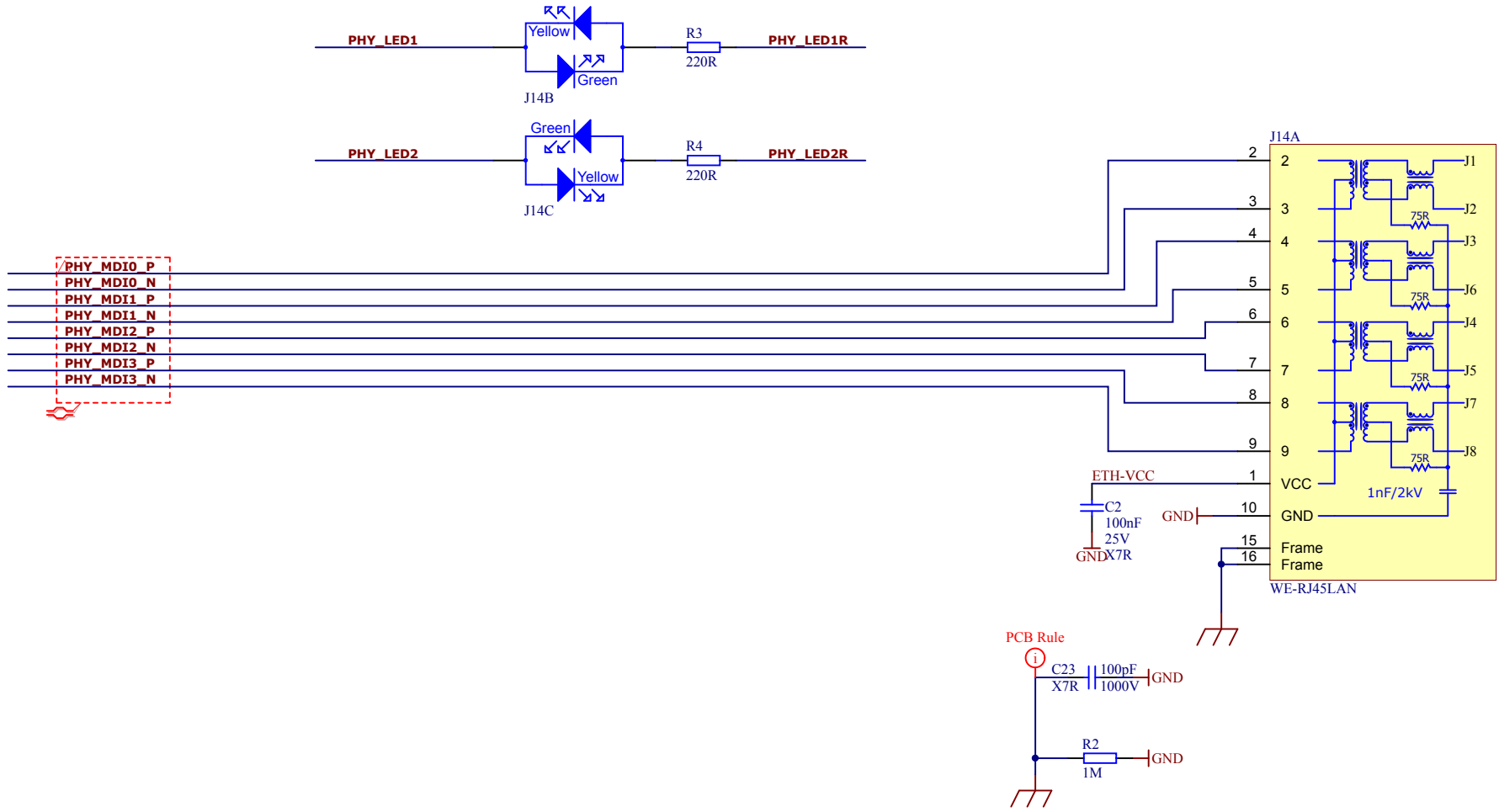
B

C

C

D

D



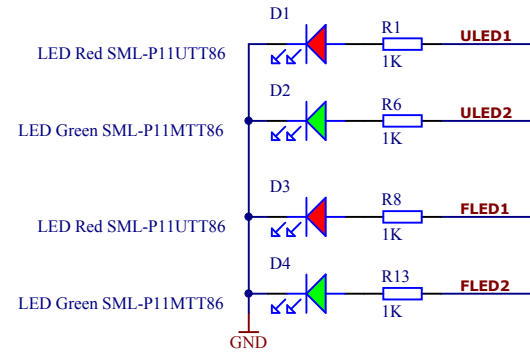
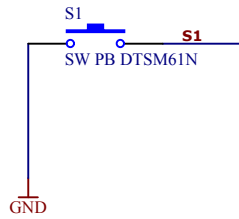
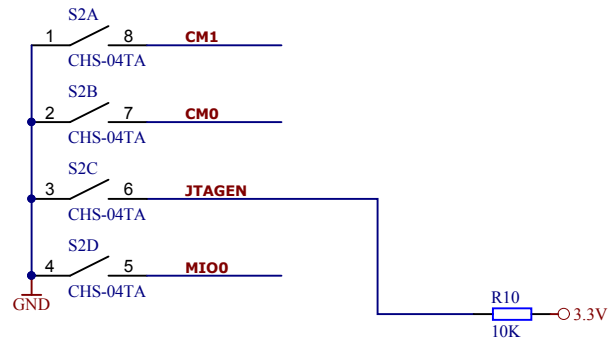
Title: Ethernet		
A4	Nummer: TE0703 TE0703	Rev. 04
Datum: 2014-12-12	Zeichner: Trenz Electronic GmbH	Blatt 4 von 10
Filename: Ethernet.SchDoc		


1

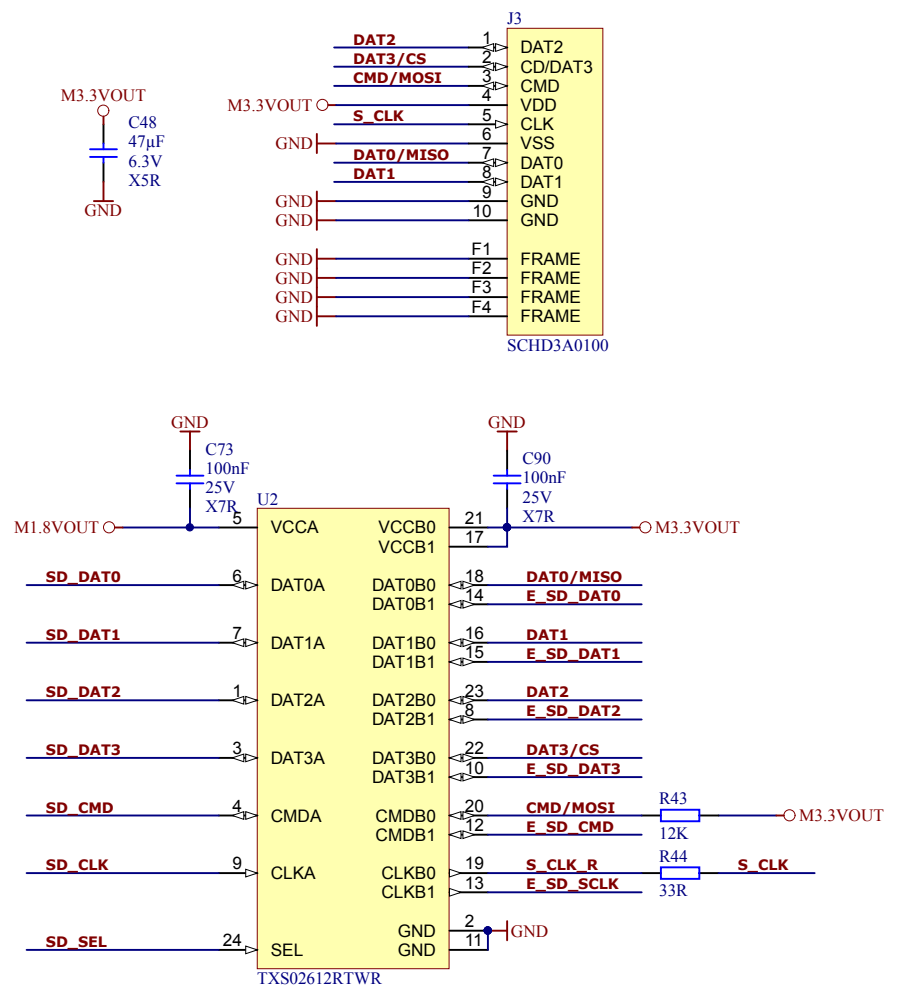
2

3

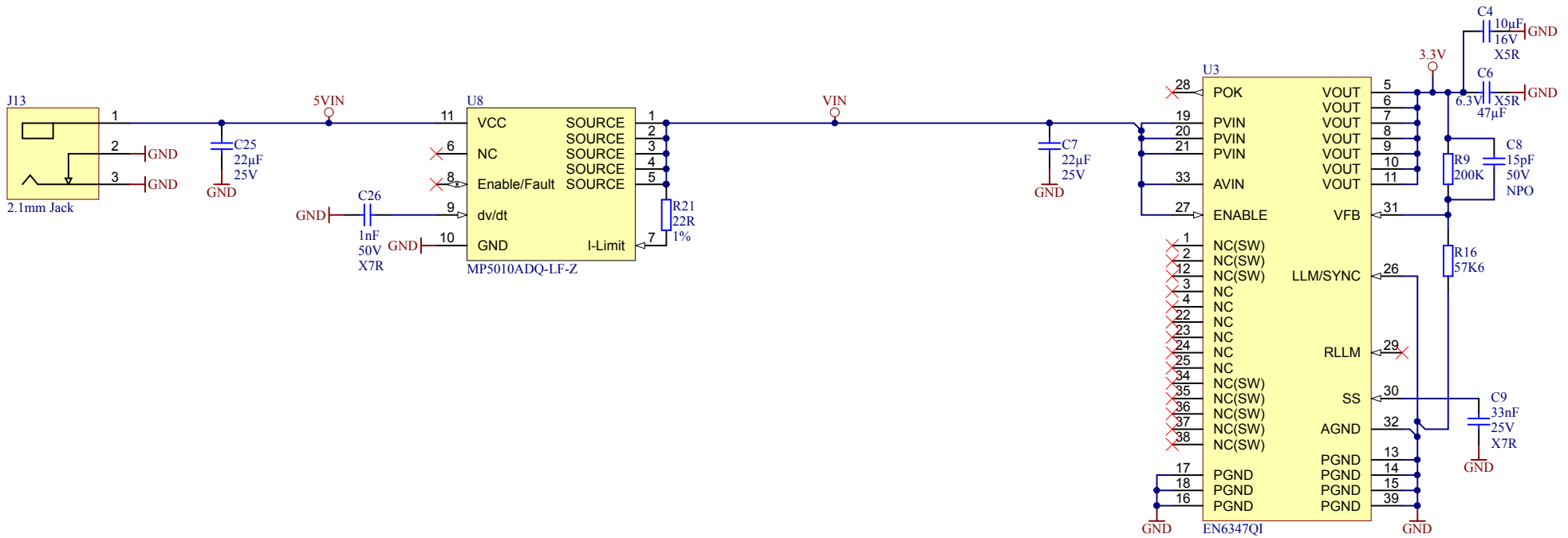
4




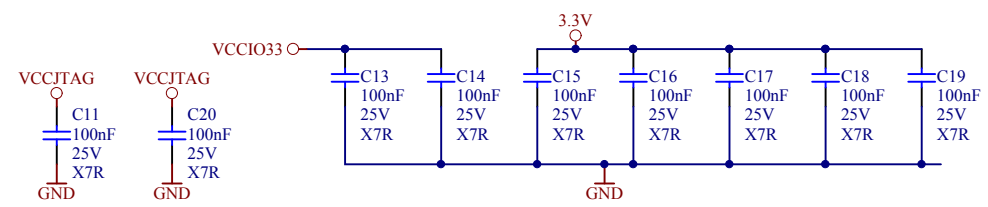
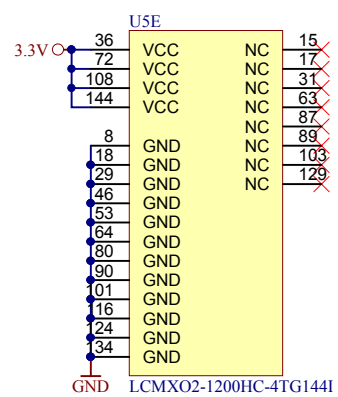
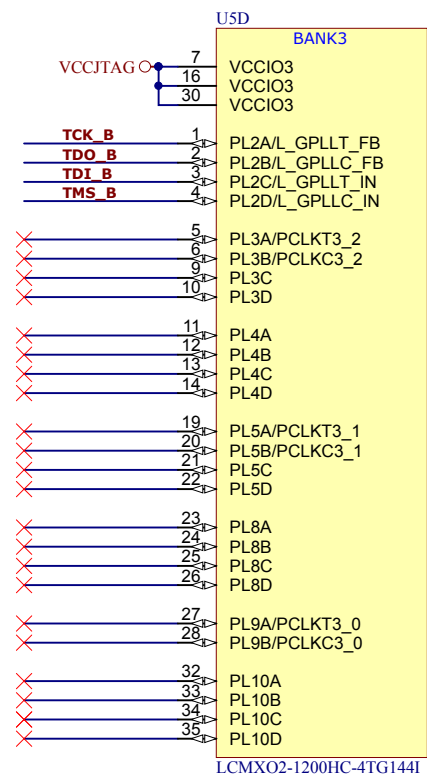
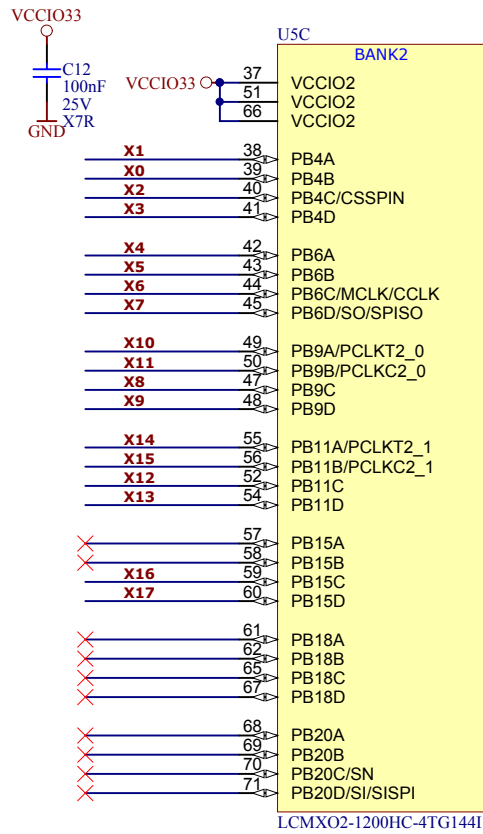
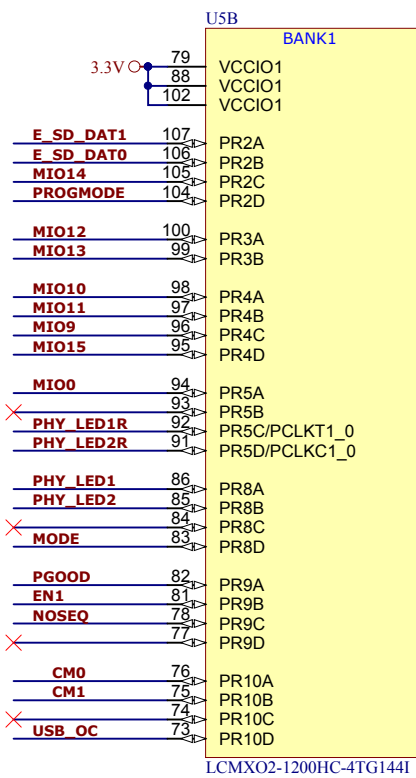
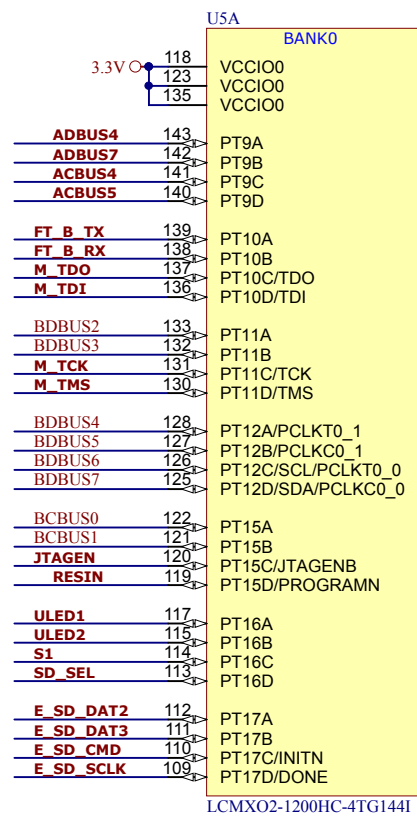
	Title: LED-Switch		
	A4	Number: TE0703 TE0703	Rev. 04
	Date: 2014-12-12	Copyright: Trenz Electronic GmbH	Page 5 of 10
	Filename: LED_SW_BUT.SchDoc		



	Title: SD Card		
	A4	Number: TE0703 TE0703	Rev. 04
	Date: 2014-12-12	Copyright: Trenz Electronic GmbH	Page6 of 10
	Filename: SDCard.SchDoc		

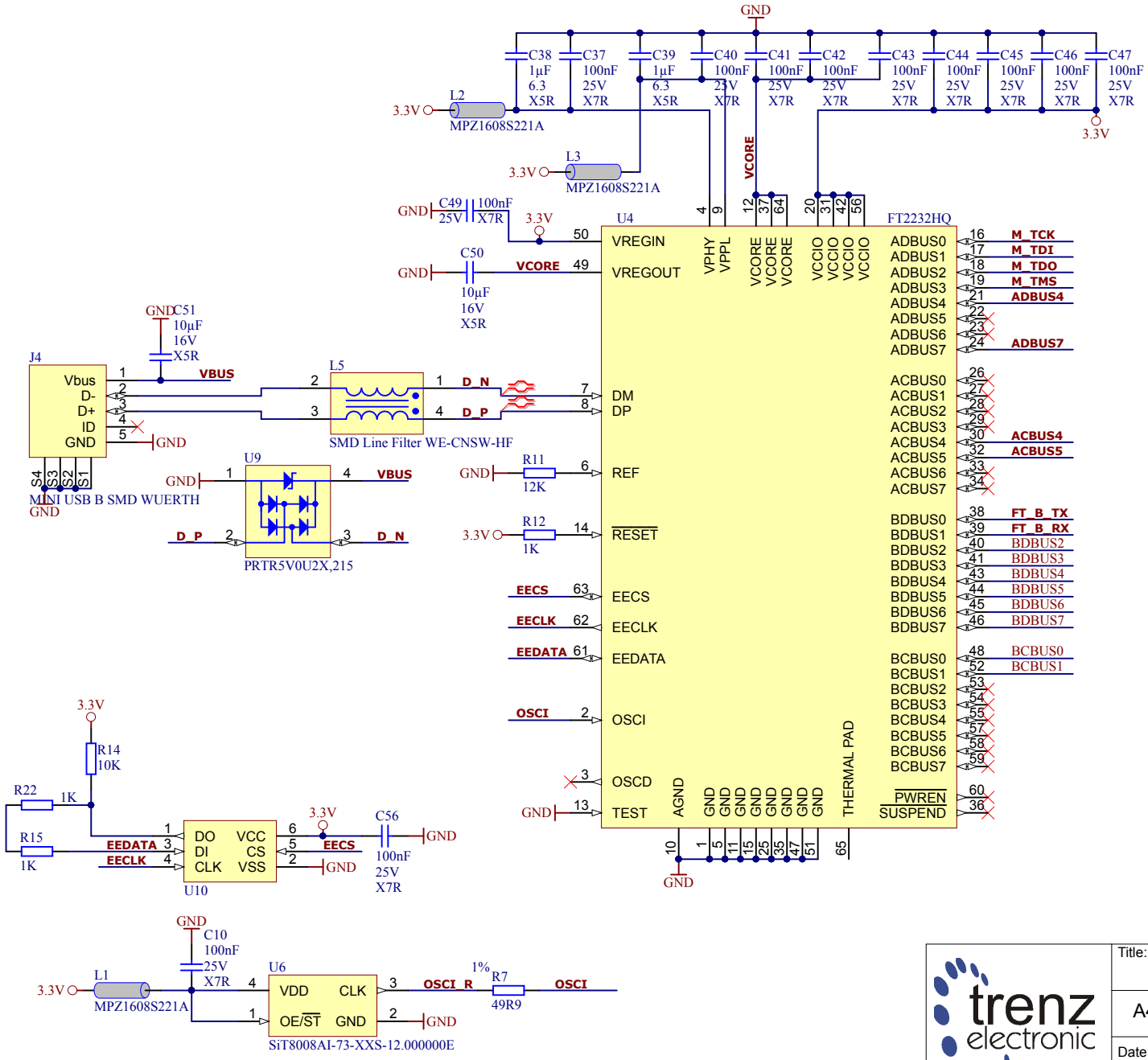


		Title: Power	
		A4	Nummer: TE0703 TE0703
Datum: 2014-12-12		Zeichner: Trenz Electronic GmbH	
Filename: POWER.SchDoc		Blatt 7 von 10	

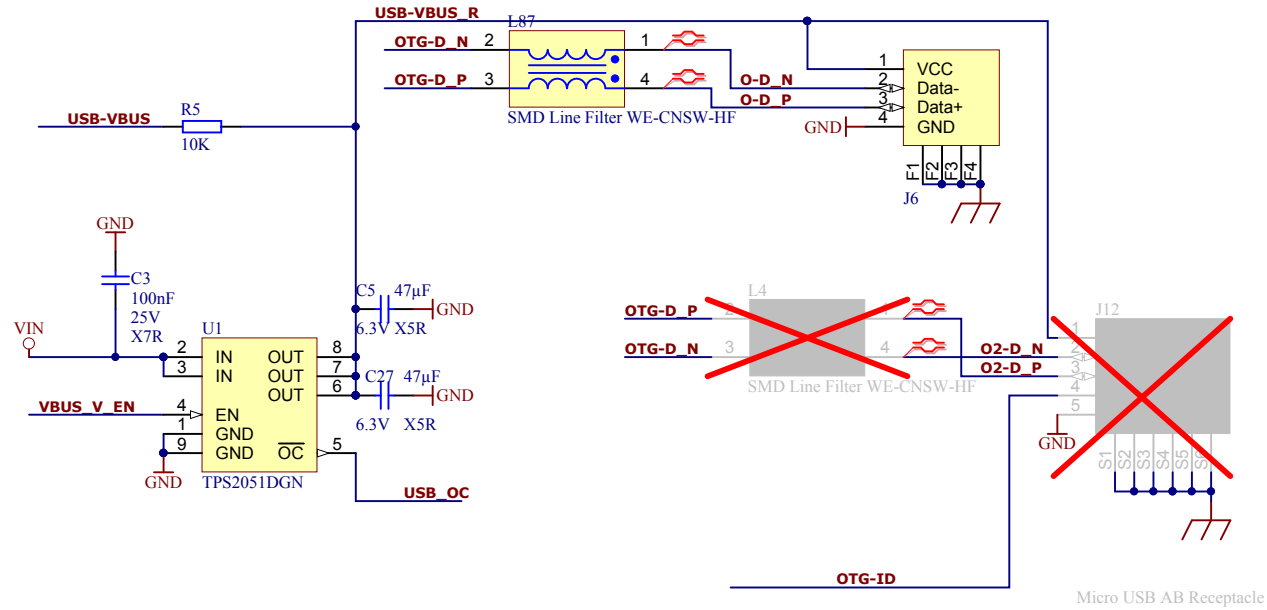


Title: **System Monitor**

A4	Number: TE0703 TE0703	Rev. 04
Date: 2014-12-12	Copyright: Trenz Electronic GmbH	Page 8 of 10
Filename: CPLD.SchDoc		



Title: USB-JTAG		
A4	Number: TE0703 TE0703	Rev. 04
Date: 2014-12-12	Copyright: Trenz Electronic GmbH	Page 9 of 10
Filename: FTDI.SchDoc		



Title: USB		
A4	Number: TE0703 TE0703	Rev. 04
Date: 2014-12-12	Copyright: Trenz Electronic GmbH	Page 10 of 10
Filename: USB.SchDoc		