

1

2

3

4

U_B2B_Connectors
B2B_Connectors.SchDoc



Ethernet
Ethernet.SchDoc



U_FTDI
FTDI.SchDoc



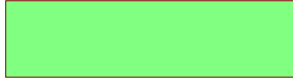
U_CPLD
CPLD.SchDoc



U_VG_CONN
VG_CONN.SchDoc



U_USB
USB.SchDoc



SDCard
SDCard.SchDoc



U_CPLD
CPLD.SchDoc



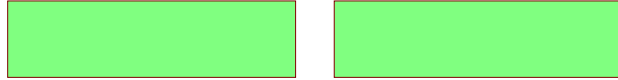
U_POWER
POWER.SchDoc



U_POWER
POWER.SchDoc



U_LED_SW_BUT
LED_SW_BUT.SchDoc



U_LED_SW_BUT
LED_SW_BUT.SchDoc



FIDU-DOT - small



FIDU-DOT - small



FIDU-DOT - small



PM1
FIDU-DOT - small



PM2
FIDU-DOT - small



PM3
FIDU-DOT - small



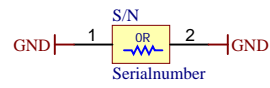
PM4



PM5

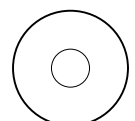
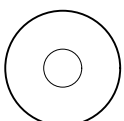
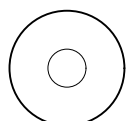
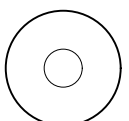


PM6



Serial
Serial
Serialnumber 6,3 x 6.3mm

Mount.Hole 3.2mm Mount.Hole 3.2mm Mount.Hole 3.2mm Mount.Hole 3.2mm



GND

GND

GND

GND

LOGO1



LOGO PRINT



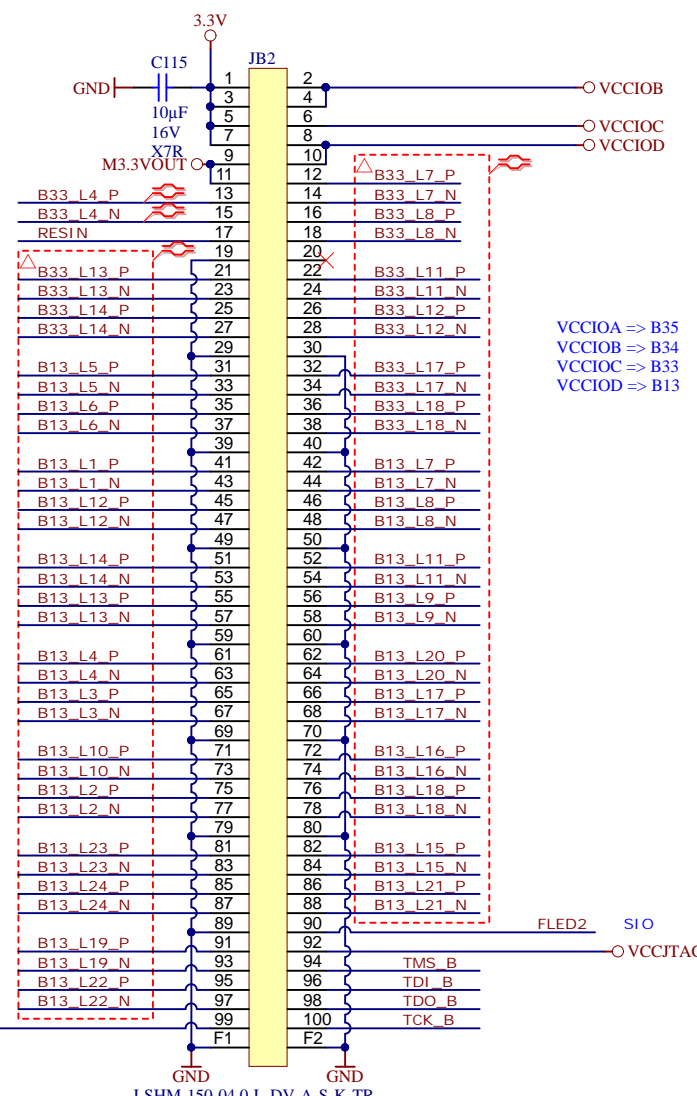
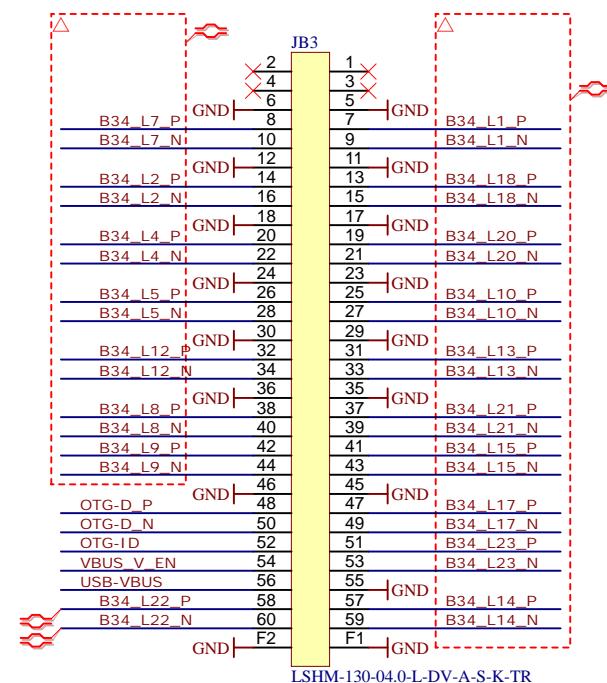
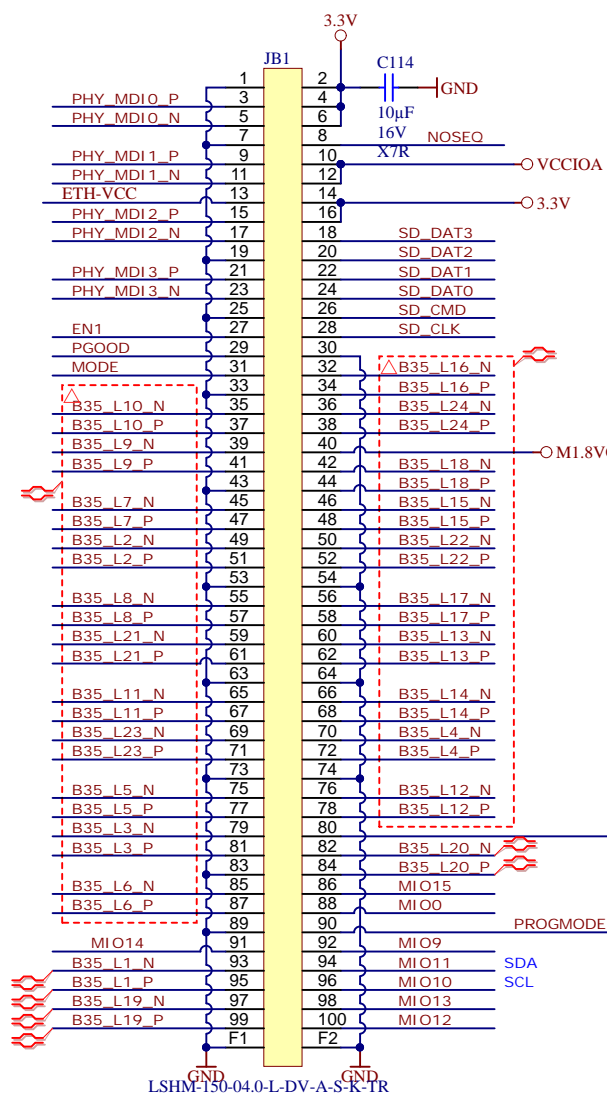
Title: Overview		
A4	Number: TE0703 TE0703	Rev. 05
Date: 2016-06-23	Copyright: Trenz Electronic GmbH	Page1 of 11
Filename: TE0703.SchDoc		

1

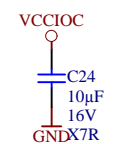
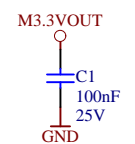
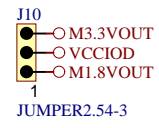
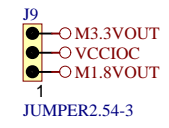
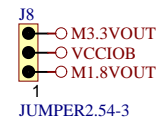
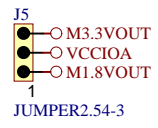
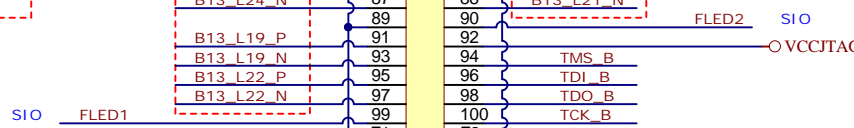
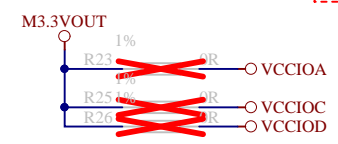
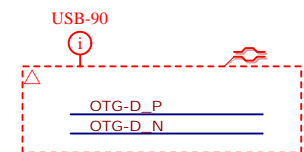
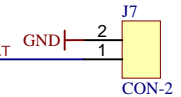
2

3

4



VCCIOA => B35
 VCCIOB => B34
 VCCIOC => B33
 VCCIOD => B13



Title: B2B Connector		
A4	Number: TE0703 TE0703	Rev. 05
Date: 2016-06-23	Copyright: Trenz Electronic GmbH	Page2 of 11
Filename: B2B_Connectors.SchDoc		

A

B

C

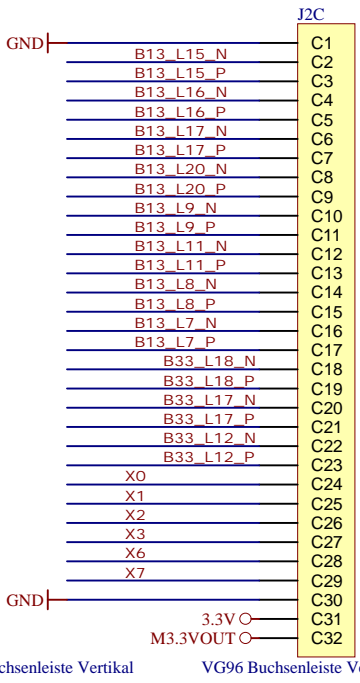
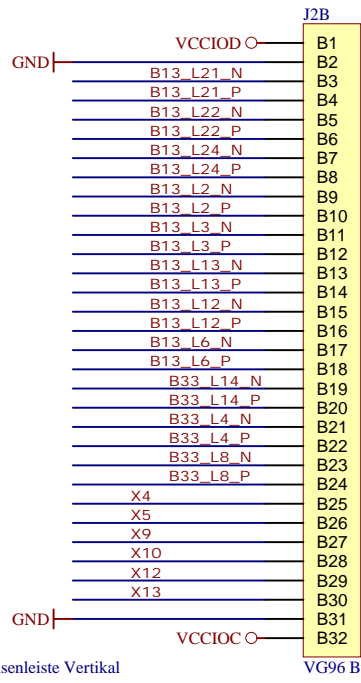
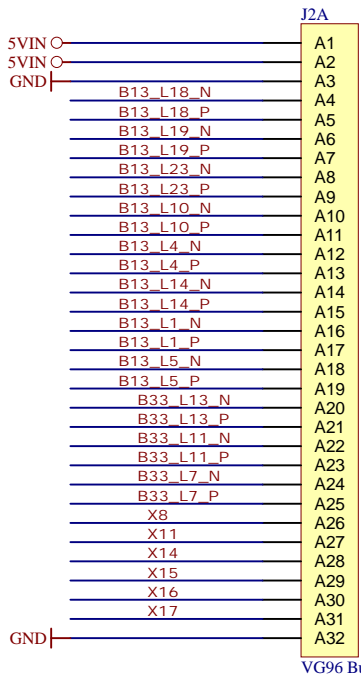
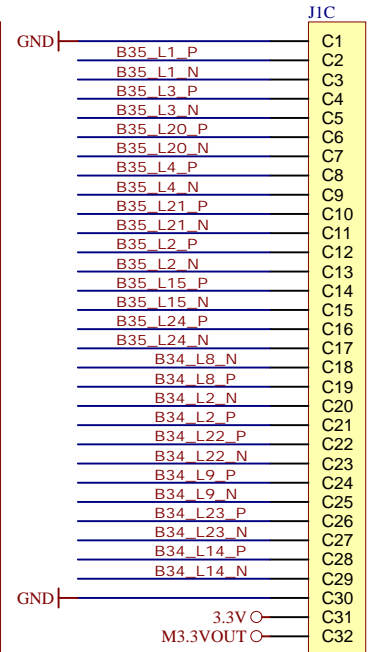
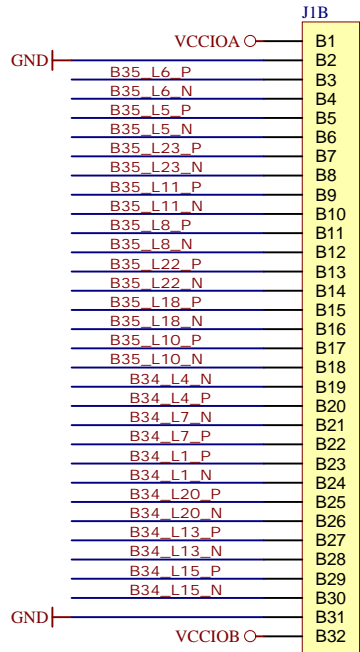
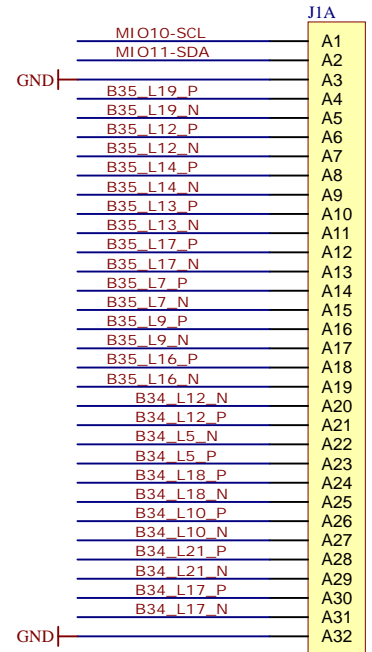
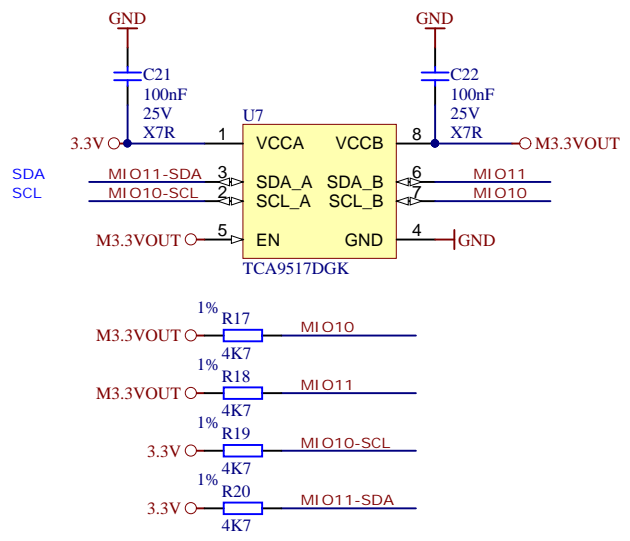
D

A

B

C

D



Title: External Connector		
A4	Number: TE0703 TE0703	Rev. 05
Date: 2016-06-23	Copyright: Trenz Electronic GmbH	Page3 of 11
Filename: VG_CONN.SchDoc		

1

2

3

4

A

A

B

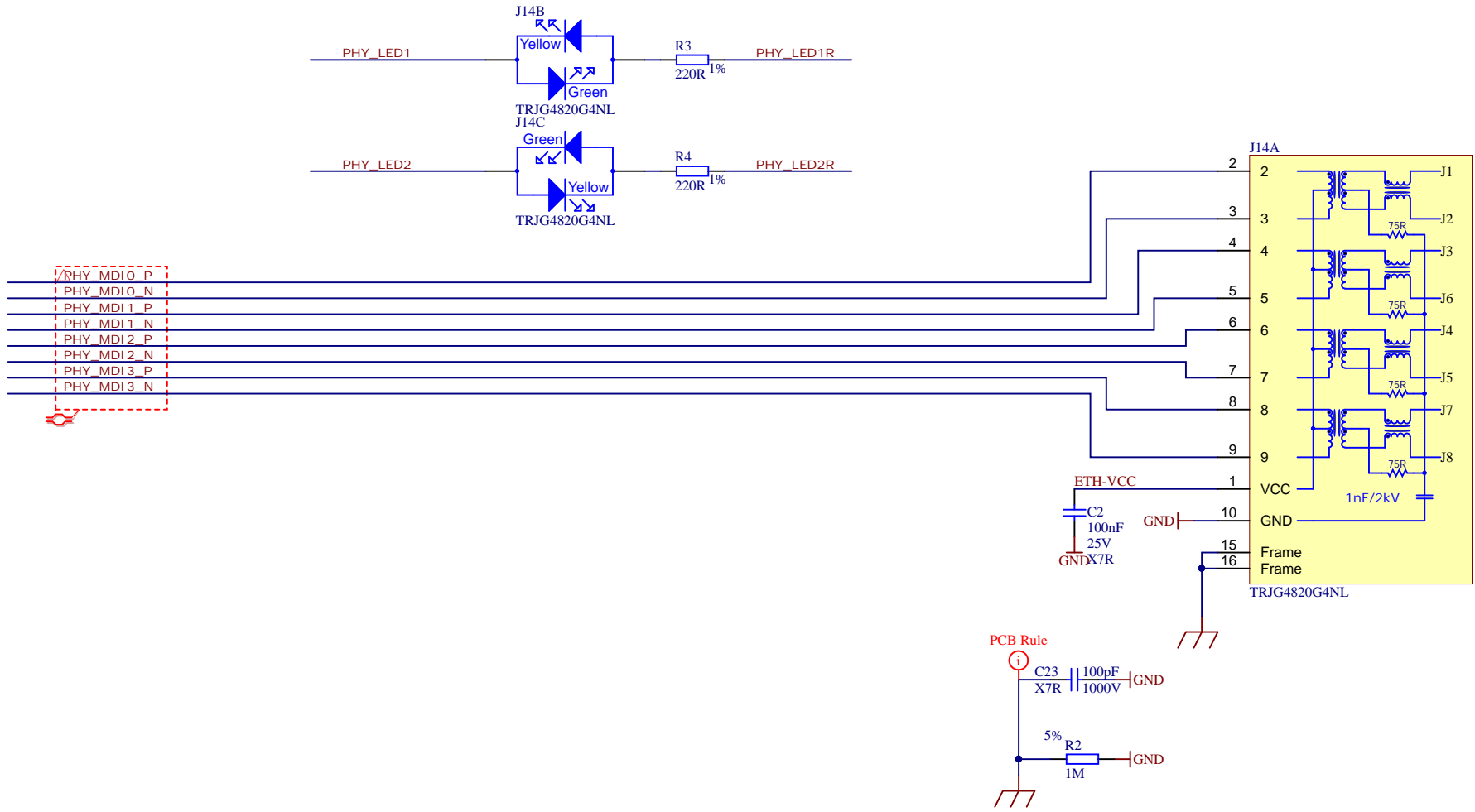
B

C

C

D

D



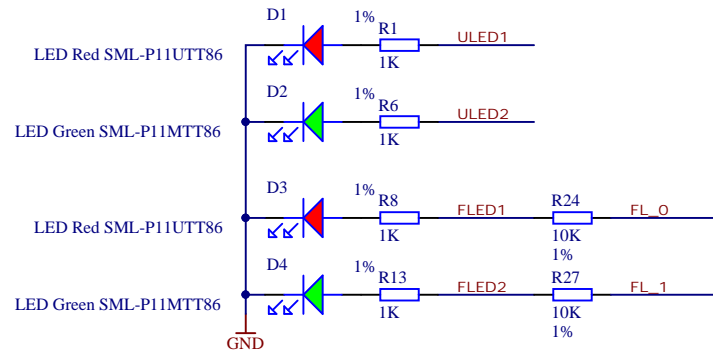
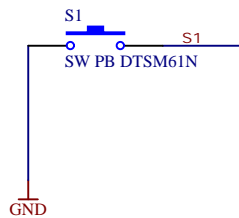
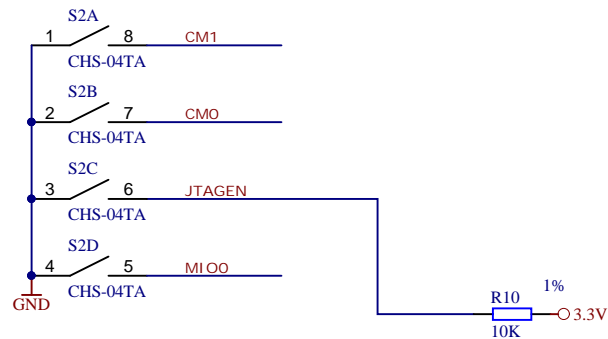
Title: Ethernet		
A4	Number: TE0703 TE0703	Rev. 05
Datum: 2016-06-23	Zeichner: Trenz Electronic GmbH	Blatt 4 von 11
Filename: Ethernet.SchDoc		


1

2

3

4



		Title: LED-Switch	
		A4	Number: TE0703 TE0703
Date: 2016-06-23		Copyright: Trenz Electronic GmbH	
Page 5 of 11		Filename: LED_SW_BUT.SchDoc	

1

2

3

4

A

A

B

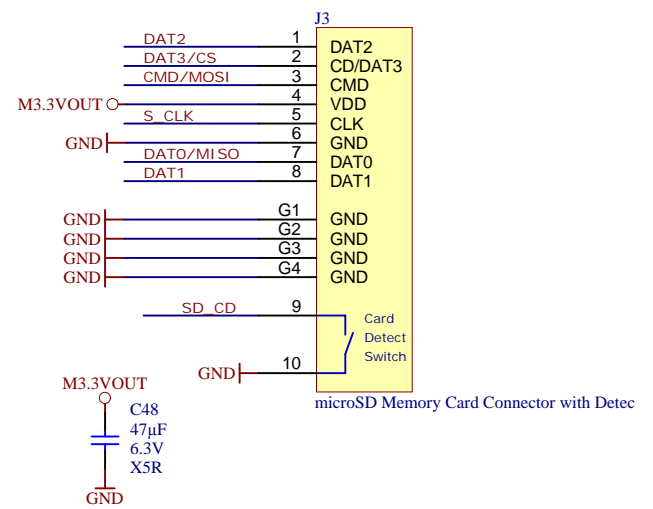
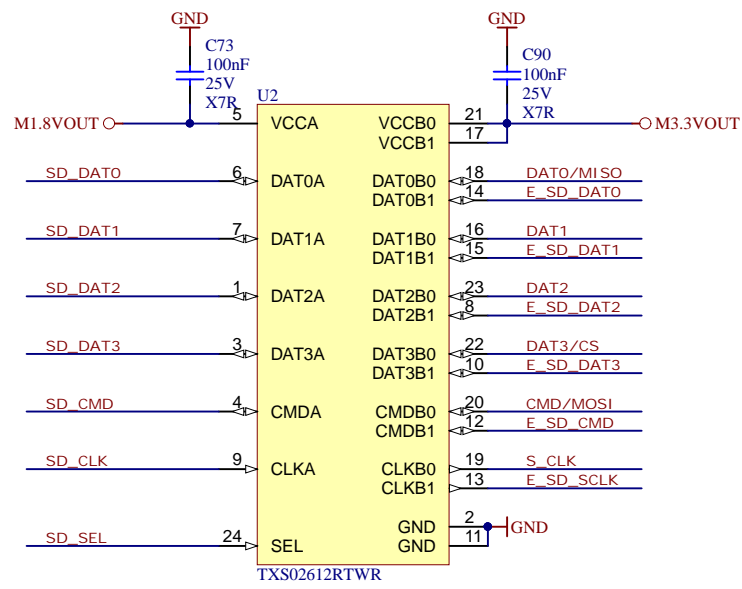
B

C

C

D

D



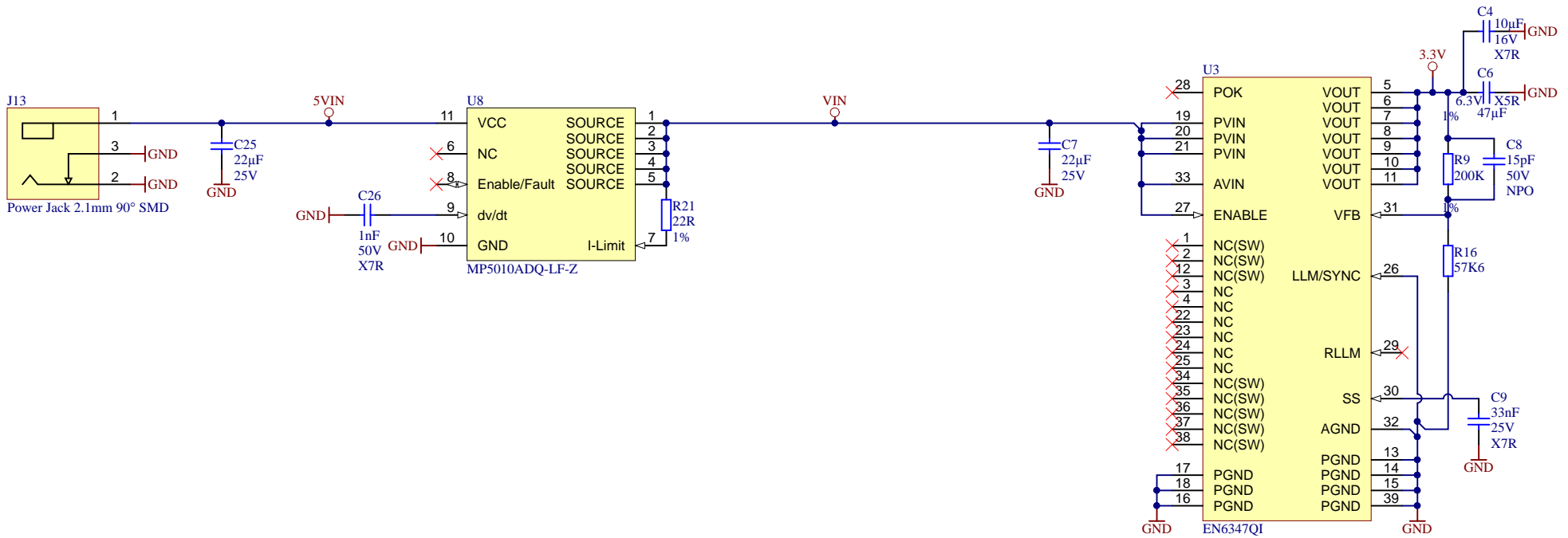
	Title: SD Card		
	A4	Number: TE0703 TE0703	Rev. 05
	Date: 2016-06-23	Copyright: Trenz Electronic GmbH	Page 6 of 11
	Filename: SDCard.SchDoc		


1

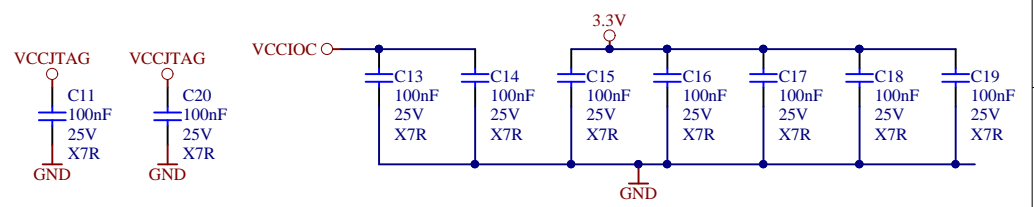
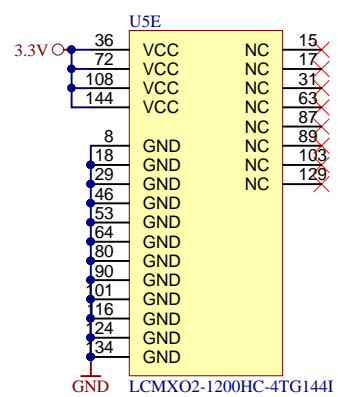
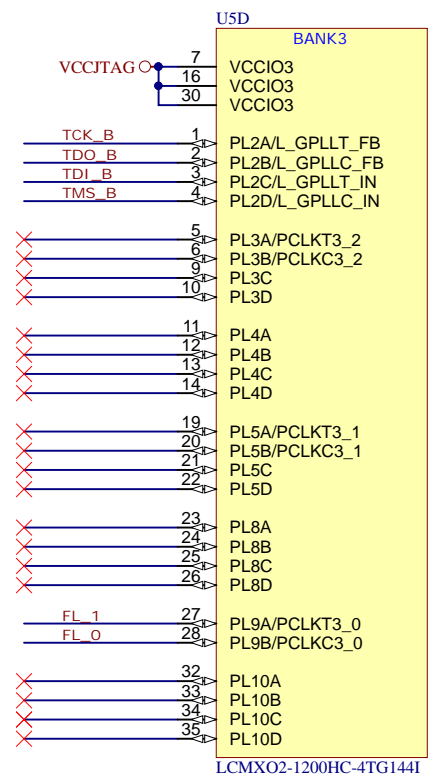
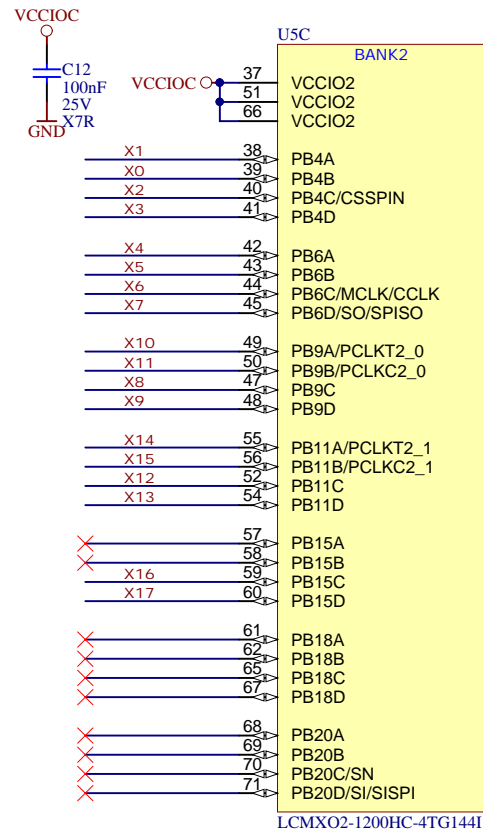
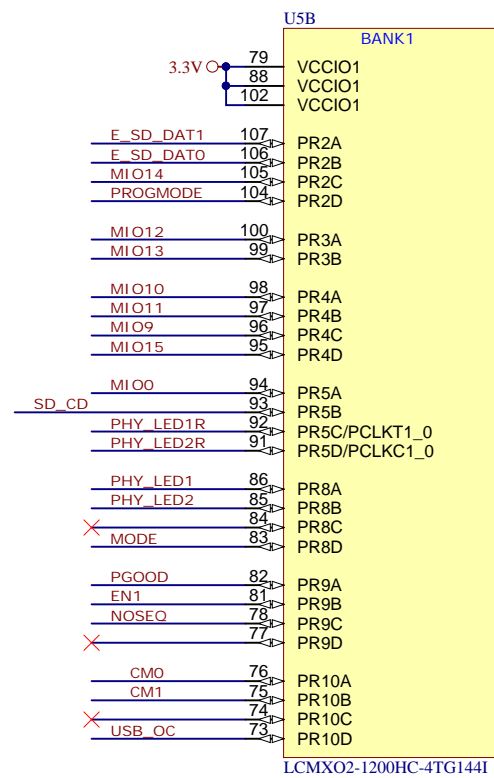
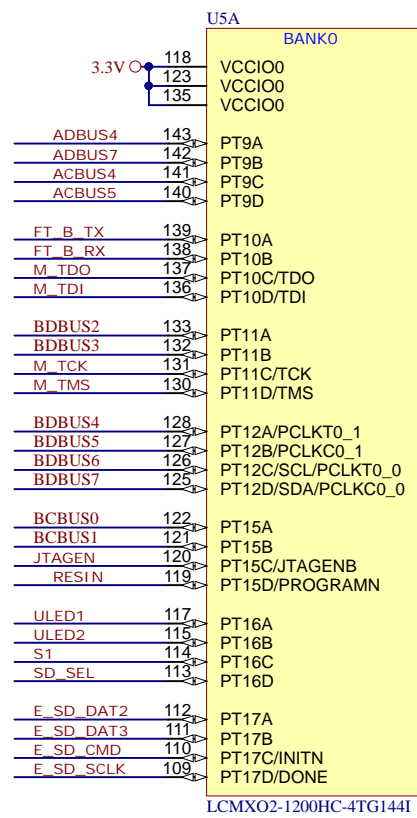
2

3

4



		Title: Power	
		A4	Nummer: TE0703 TE0703
Datum: 2016-06-23		Zeichner: Trenz Electronic GmbH	
Filename: POWER.SchDoc		Blatt 7 von 11	



trenz electronic

Title: **System Monitor**

A4	Number: TE0703 TE0703	Rev. 05
Date: 2016-06-23	Copyright: Trenz Electronic GmbH	Page 8 of 11
Filename: CPLD.SchDoc		

A

A

B

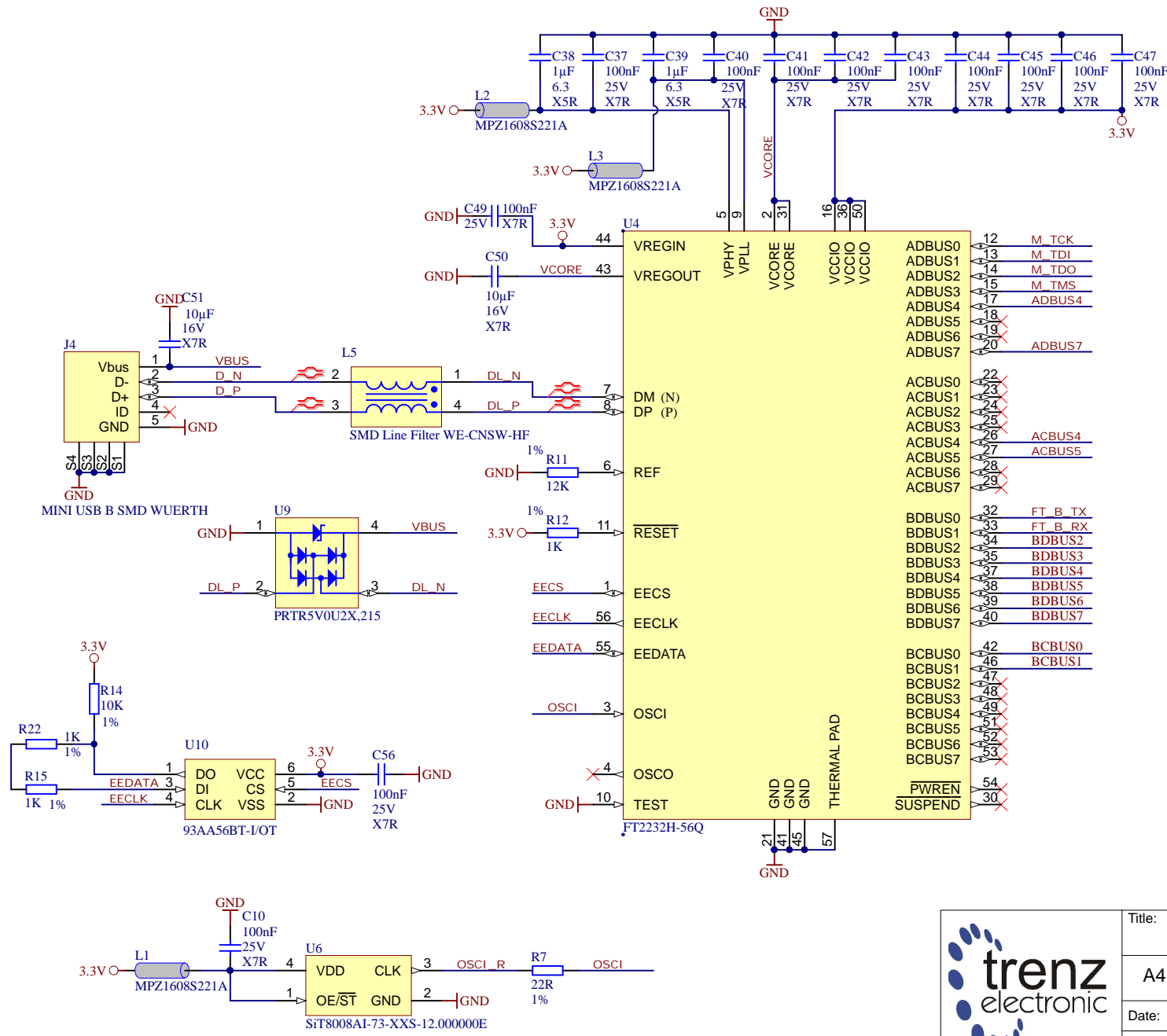
B

C

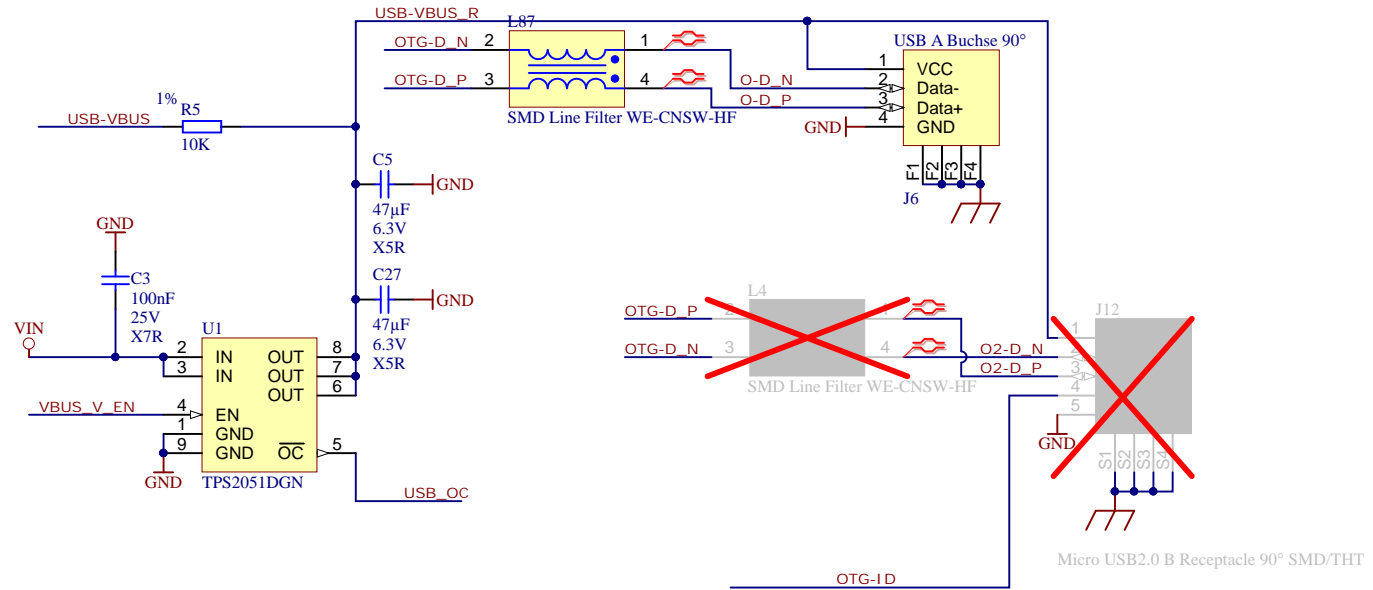
C


D

D



Title: USB-JTAG		
A4	Number: TE0703 TE0703	Rev. 05
Date: 2016-06-23	Copyright: Trenz Electronic GmbH	Page9 of 11
Filename: FTDI.SchDoc		



	Title: USB		
	A4	Number: TE0703 TE0703	Rev. 05
	Date: 2016-06-23	Copyright: Trenz Electronic GmbH	Page 10 of 11
	Filename: USB.SchDoc		

1

2

3

4

CHANGES REV04 to REV05

- 1) J5 changed to 3 pin jumper to select 3.3V or 1.8V, added 3pin jumpers for each bank
- 2) PWR connector type changed THT->SMD
- 3) changed FT2232 different IC package (56pins)
- 4) changed micro SD-card slot
- 5) changed micro-USB
- 6) added series resistors 10K to FLED0,FLED1 and connect to CPLD
- 7) added serial number (traceability pad)

A

A

B

B

C

C

D

D



Title: TE0703 - Changes list		
A4	Number: TE0703 TE0703	Rev. 05
Date: 2016-06-23	Copyright: Trenz Electronic GmbH	Page 11 of 11
Filename: Revision_Changes.SchDoc		

1

2

3

4