

1

2

3

4

A

A

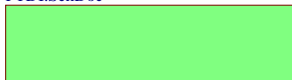
U\_B2B\_Connectors  
B2B\_Connectors.SchDoc



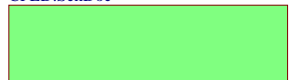
Ethernet  
Ethernet.SchDoc



U\_FTDI  
FTDI.SchDoc



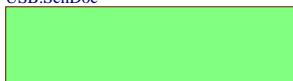
U\_CPLD  
CPLD.SchDoc



U\_VG\_CONN  
VG\_CONN.SchDoc



U\_USB  
USB.SchDoc



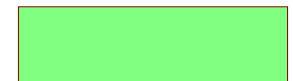
SDCard  
SDCard.SchDoc



U\_CPLD  
CPLD.SchDoc



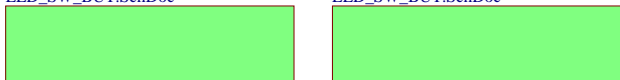
U\_POWER  
POWER.SchDoc



U\_POWER  
POWER.SchDoc



U\_LED\_SW\_BUT  
LED\_SW\_BUT.SchDoc



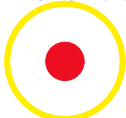
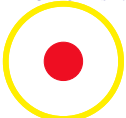
U\_LED\_SW\_BUT  
LED\_SW\_BUT.SchDoc



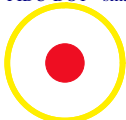
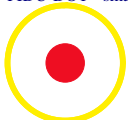
B

B

FIDU-DOT - small FIDU-DOT - small FIDU-DOT - small



PM1 FIDU-DOT - small PM2 FIDU-DOT - small PM3 FIDU-DOT - small



PM4 PM5 PM6

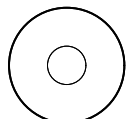
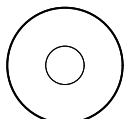
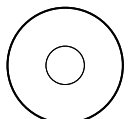
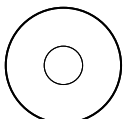


Serial  
Serial  
Serialnumber 6,3 x 6.3mm

C

C

Mount.Hole 3.2mm Mount.Hole 3.2mm Mount.Hole 3.2mm Mount.Hole 3.2mm



GND

GND

GND

GND

LOGO1



LOGO PRINT

D

D



Title: Overview		
A4	Number: TE0703 D	Rev. 06
Date: 2018-12-12	Copyright: Trenz Electronic GmbH	Page1 of 12
Filename: TE0703.SchDoc		

1

2

3

4

A

A

B

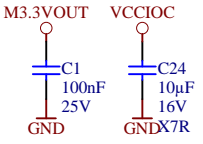
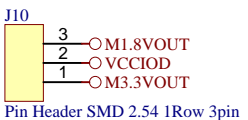
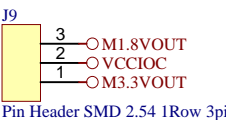
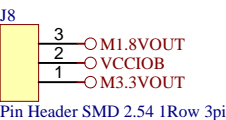
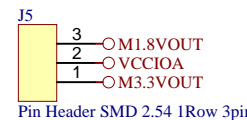
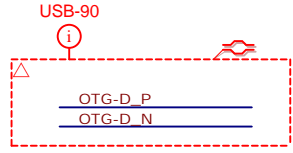
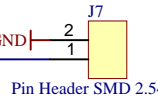
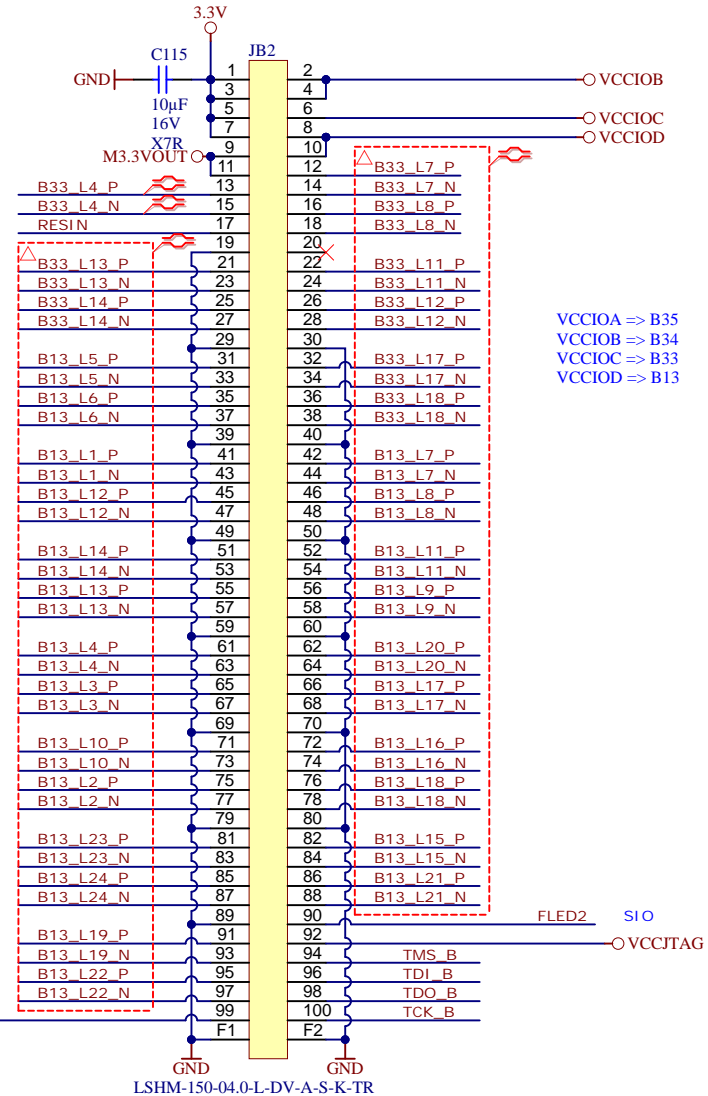
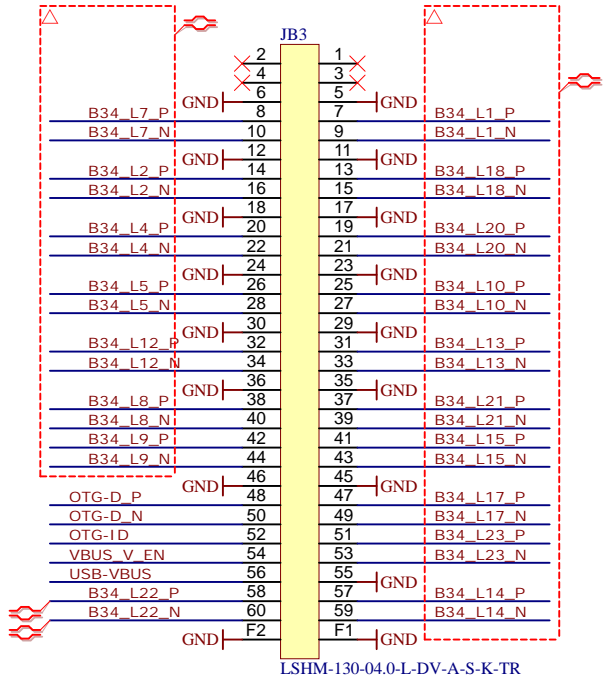
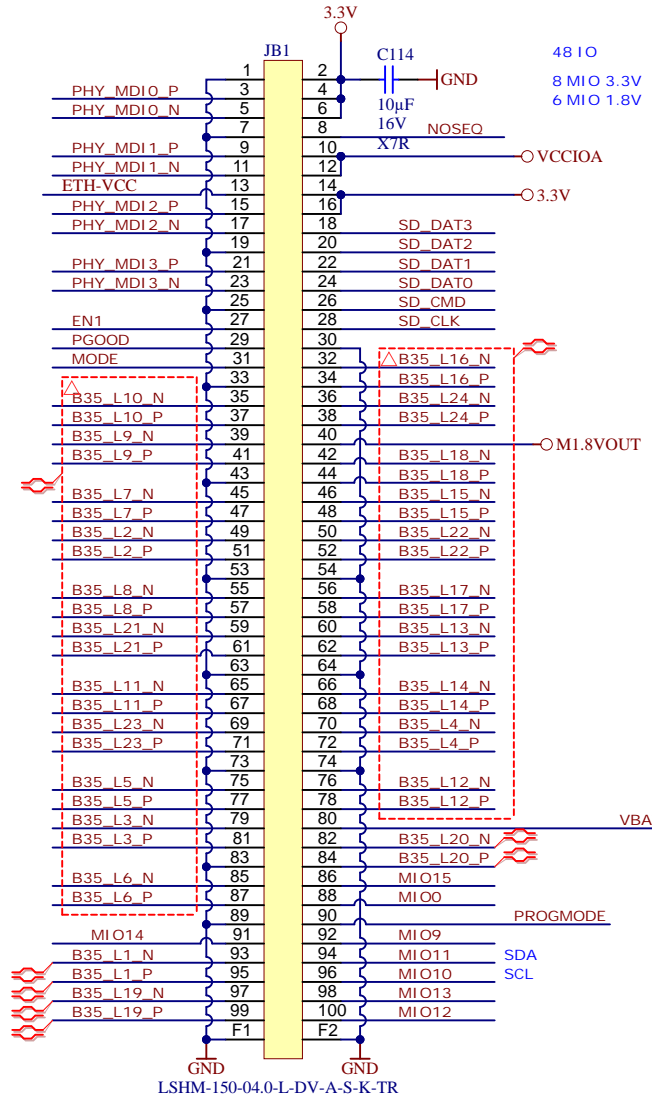
B

C

C

D

D



Title: B2B Connector		
A4	Number: TE0703 D	Rev. 06
Date: 2018-12-12	Copyright: Trenz Electronic GmbH	
Filename: B2B_Connectors.SchDoc		Page2 of 12

1

2

3

4

A

A

B

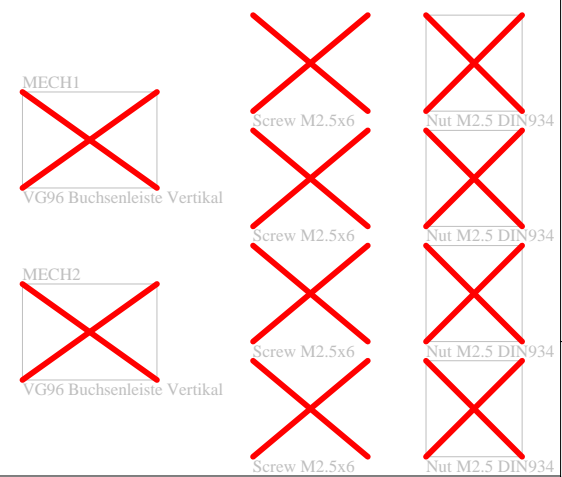
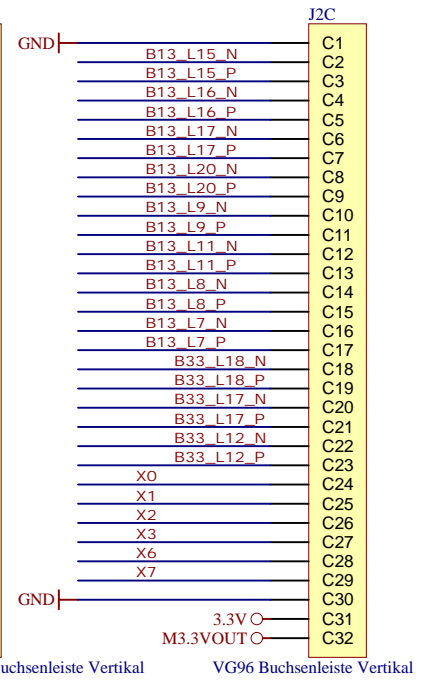
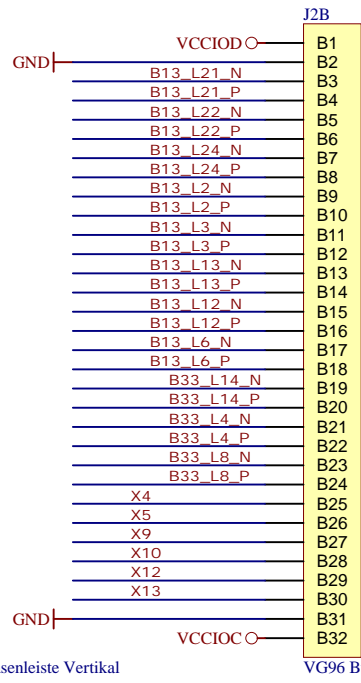
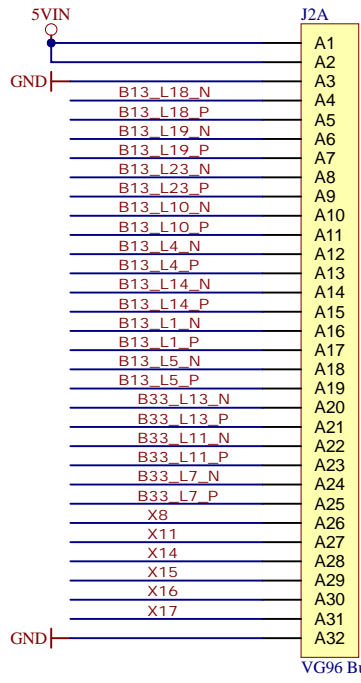
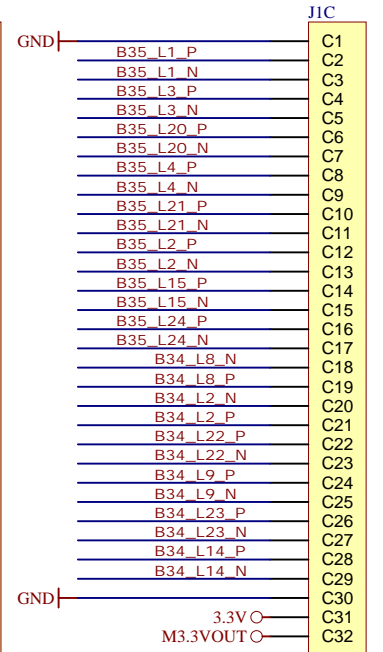
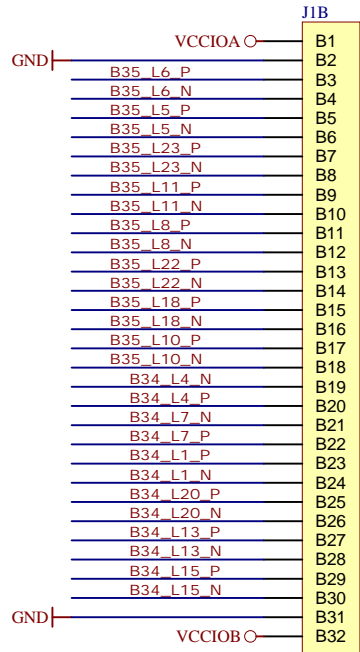
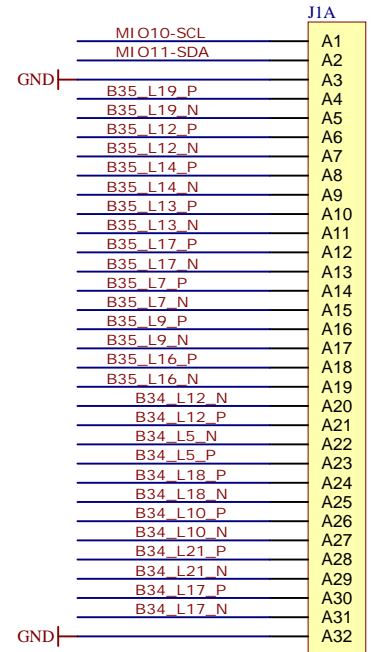
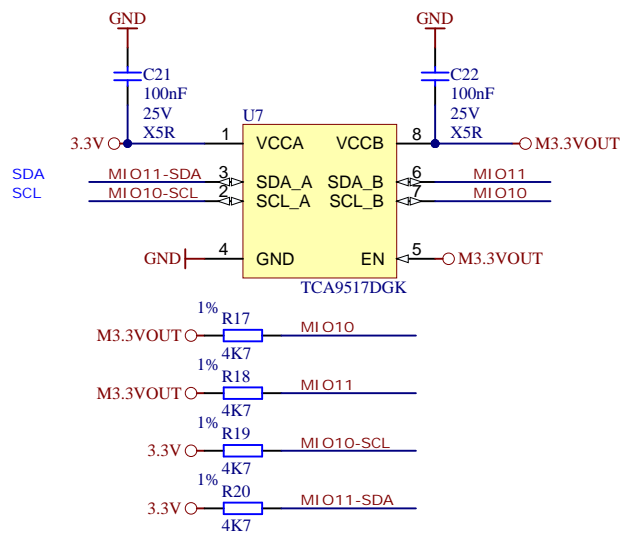
B

C

C

D

D



Title: External Connector		
A4	Number: TE0703 D	Rev. 06
Date: 2018-12-12	Copyright: Trenz Electronic GmbH	Page3 of 12
Filename: VG_CONN.SchDoc		

1

2

3

4

1

2

3

4

A

A

B

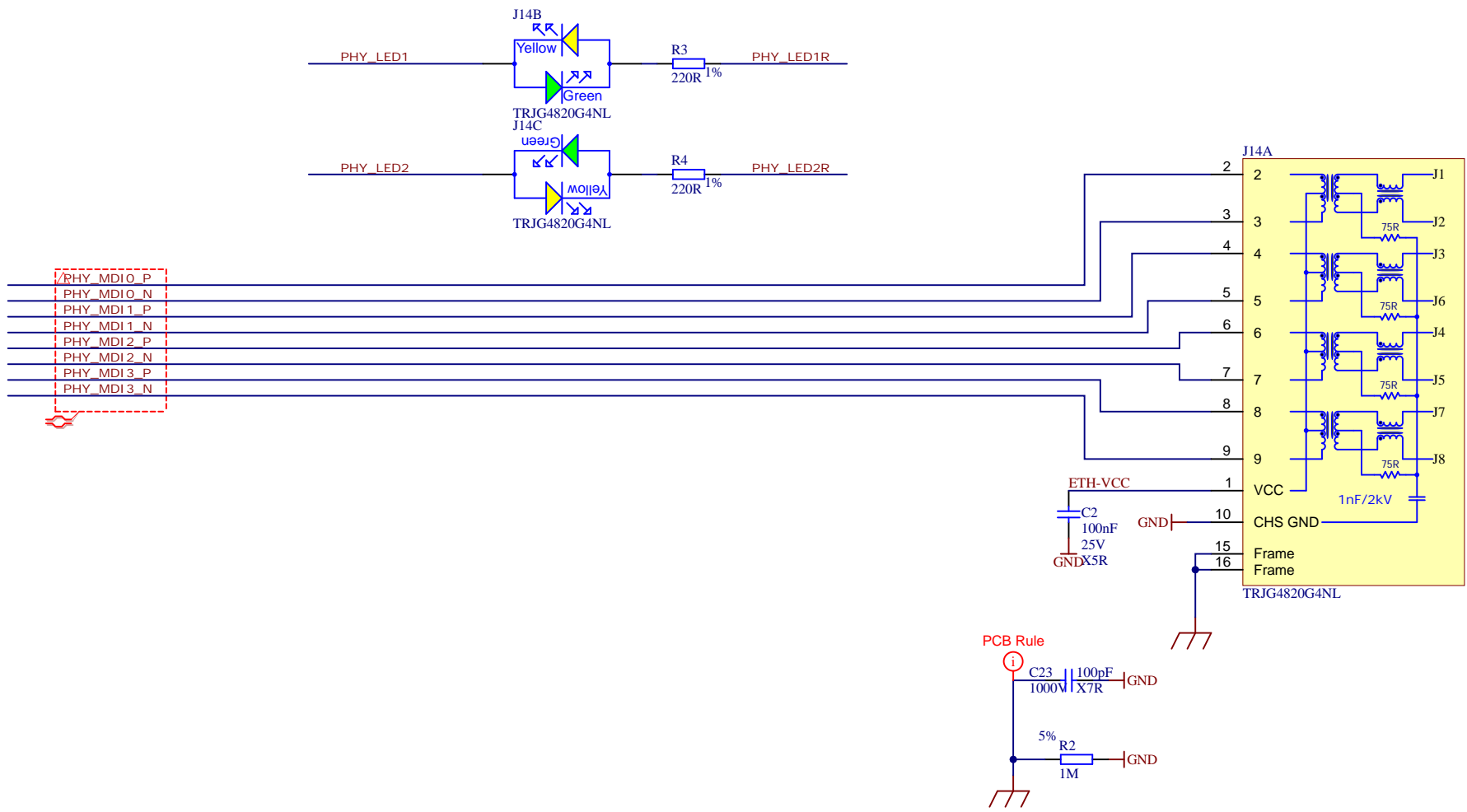
B

C

C

D

D



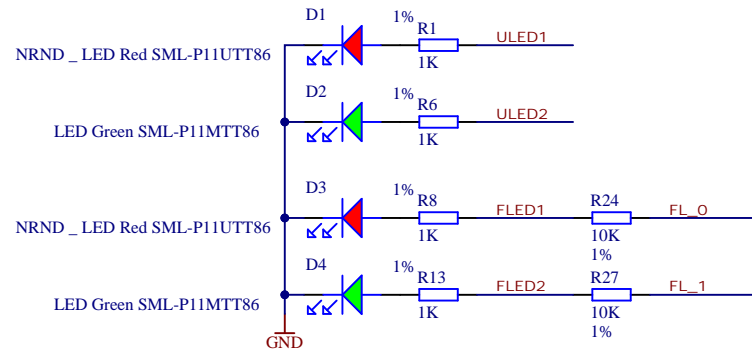
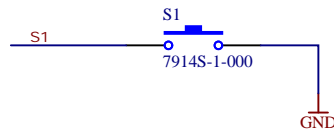
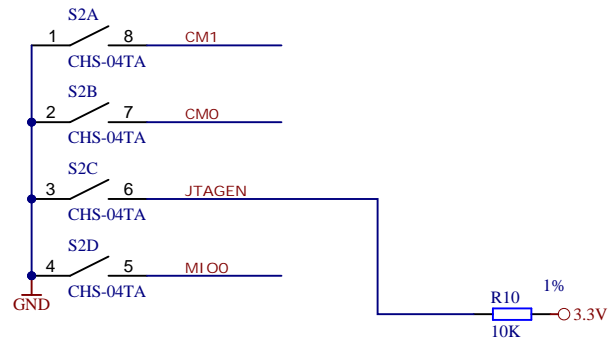
Title: Ethernet		
A4	Nummer: TE0703 D	Rev. 06
Datum: 2018-12-12	Zeichner: Trenz Electronic GmbH	Blatt 4 von 12
Filename: Ethernet.SchDoc		


1

2

3

4



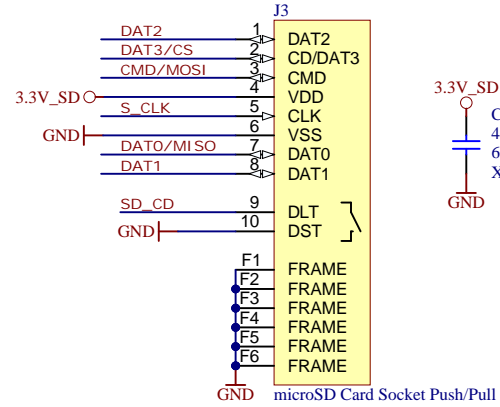
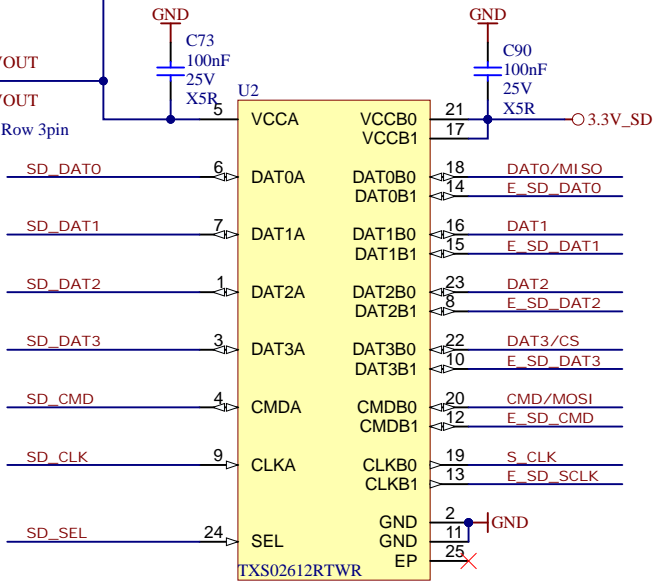
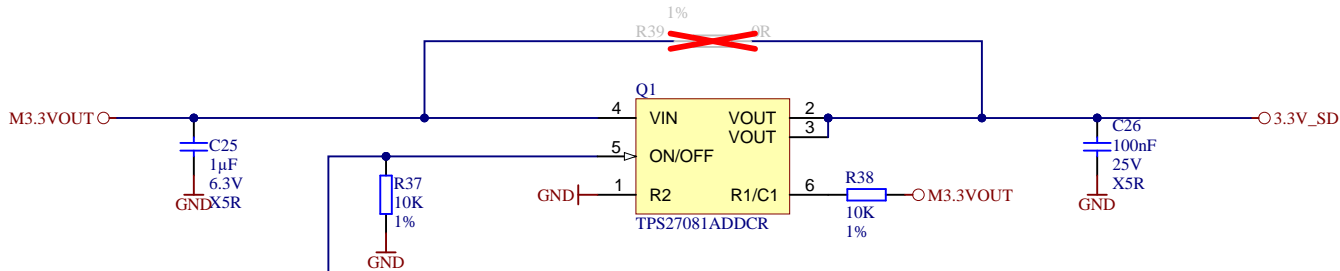
	Title: LED-Switch		
	A4	Number: TE0703 D	Rev. 06
	Date: 2018-12-12	Copyright: Trenz Electronic GmbH	Page 5 of 12
	Filename: LED_SW_BUT.SchDoc		



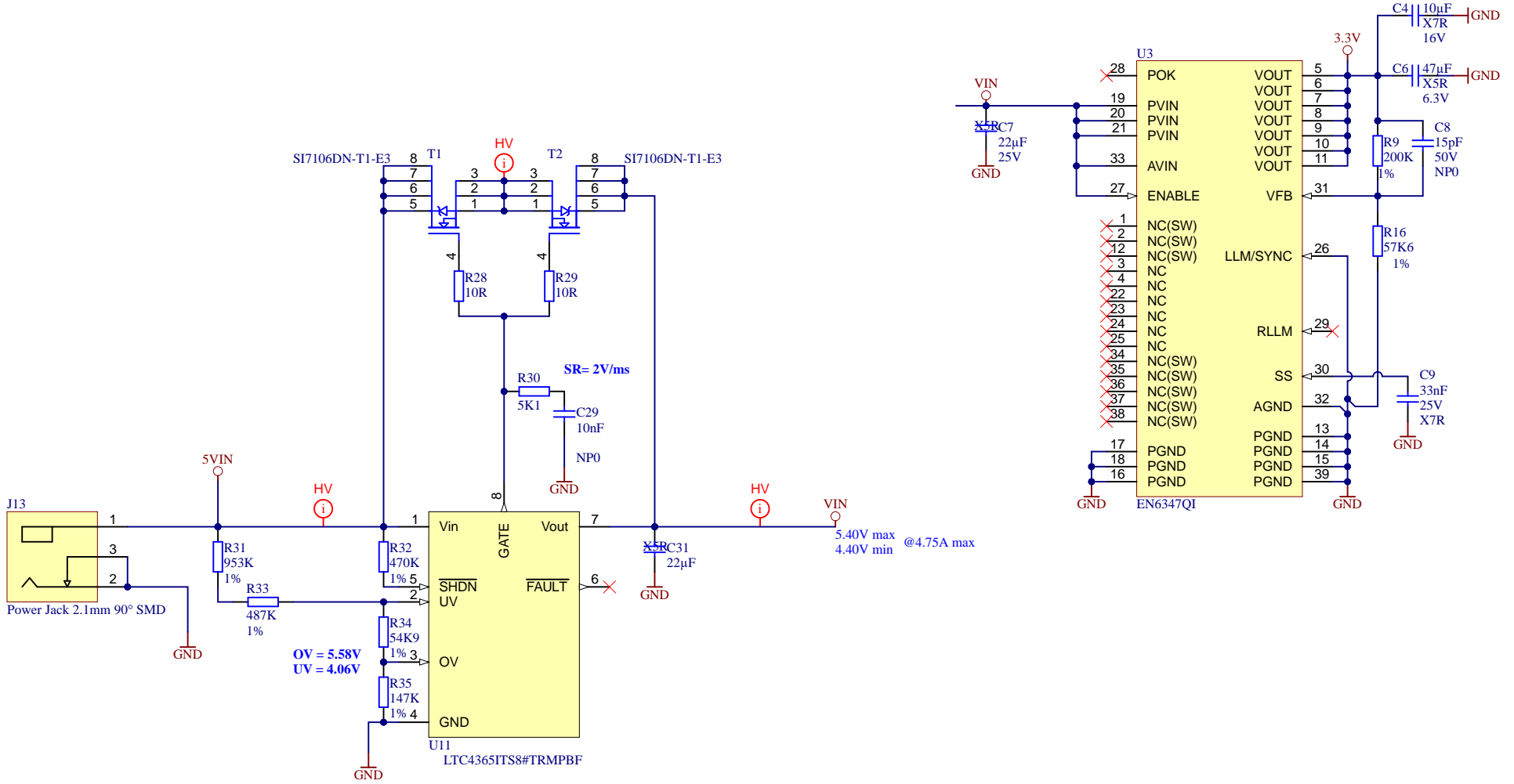
J15 JUMPER-2.54

J11

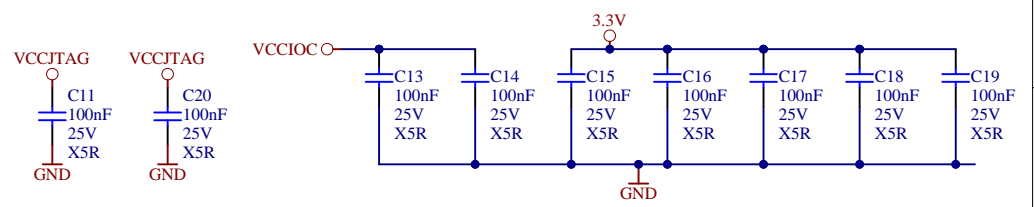
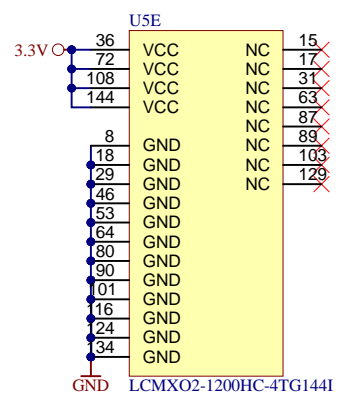
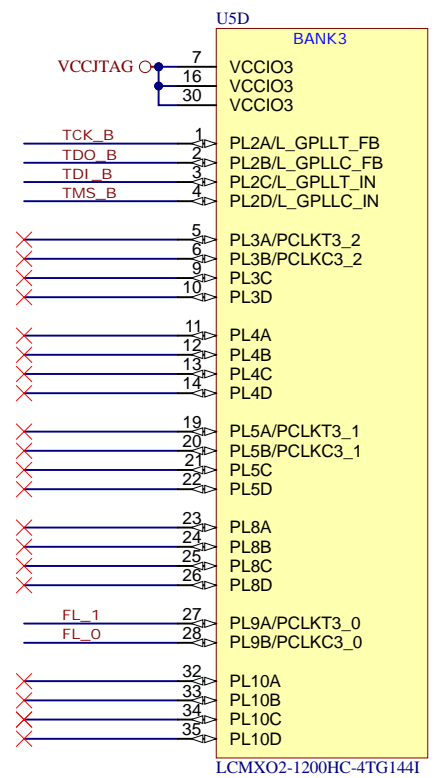
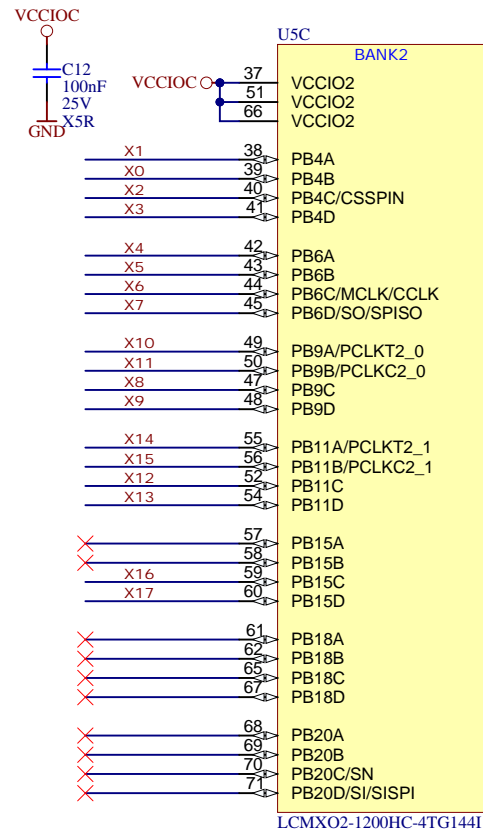
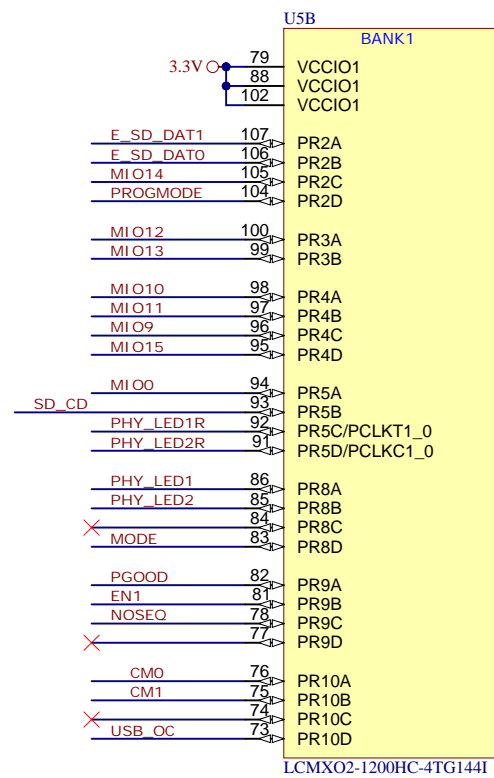
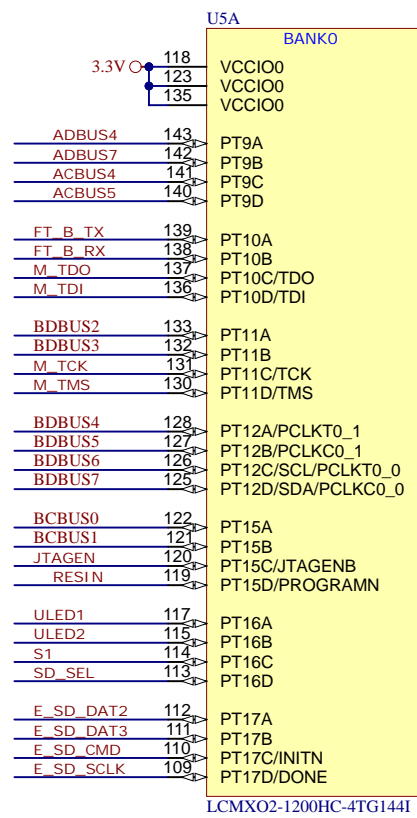
Pin Header SMD 2.54 1Row 3pin



Title: SD Card		
A4	Number: TE0703 D	Rev. 06
Date: 2018-12-12	Copyright: Trenz Electronic GmbH	Page6 of 12
Filename: SDCard.SchDoc		



Title: <b>Power</b>		
A4	Number: <b>TE0703 D</b>	Rev. <b>06</b>
Datum: 2018-12-12	Zeichner: Trenz Electronic GmbH	Blatt 7 von 12
Filename: <b>POWER.SchDoc</b>		



**trenz electronic**

Title: **System Monitor**

A4	Number: <b>TE0703 D</b>	Rev. <b>06</b>
Date: <b>2018-12-12</b>	Copyright: <b>Trenz Electronic GmbH</b>	Page <b>8</b> of <b>12</b>
Filename: <b>CPLD.SchDoc</b>		



A

A

B

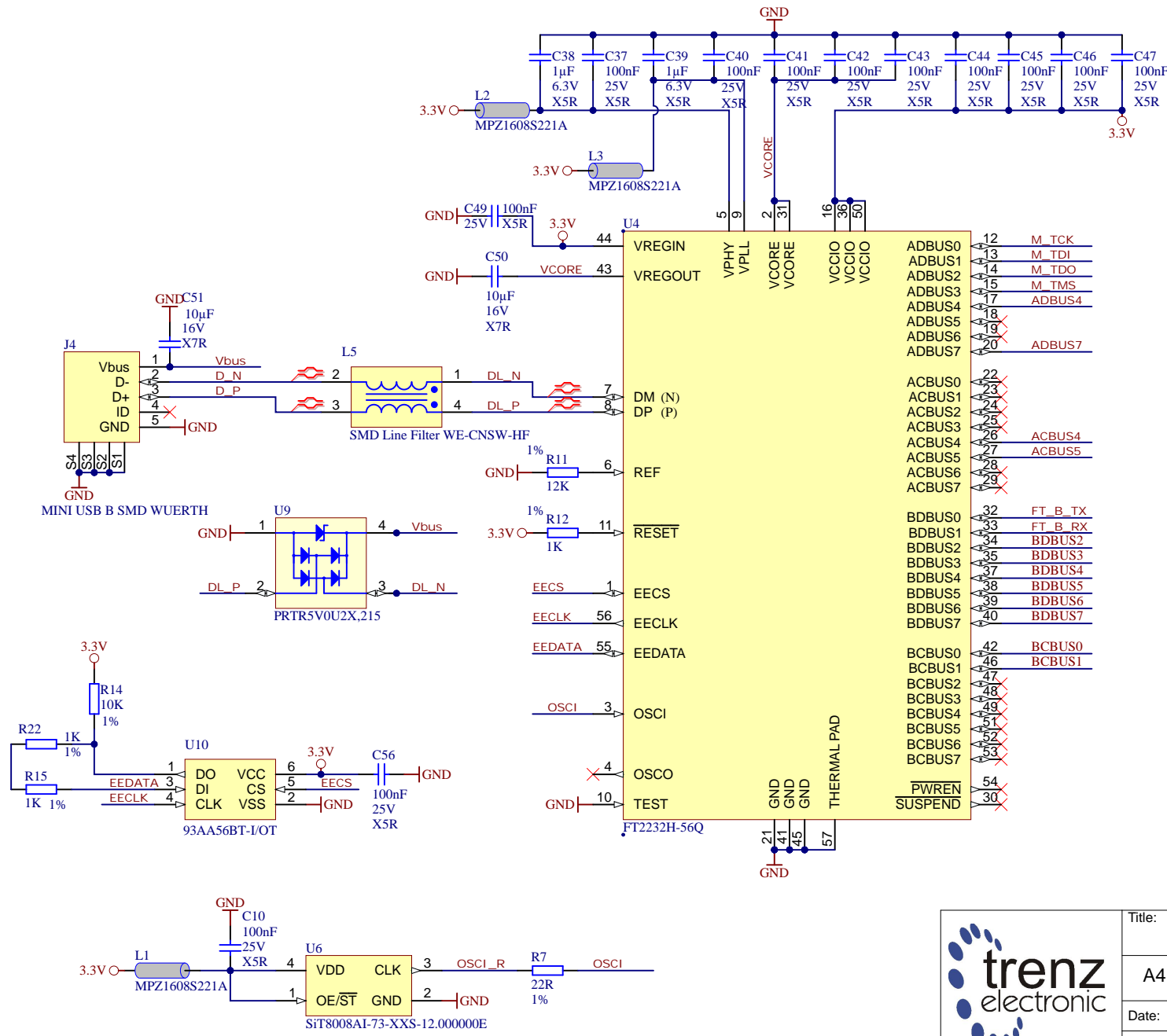
B

C

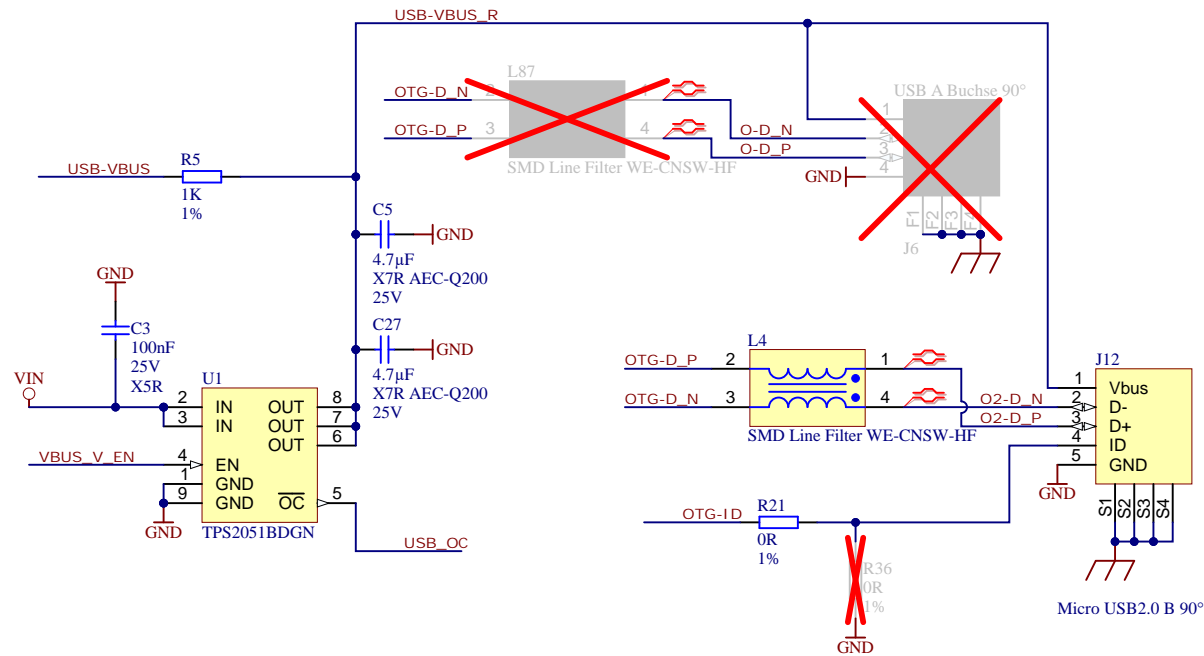
C


D

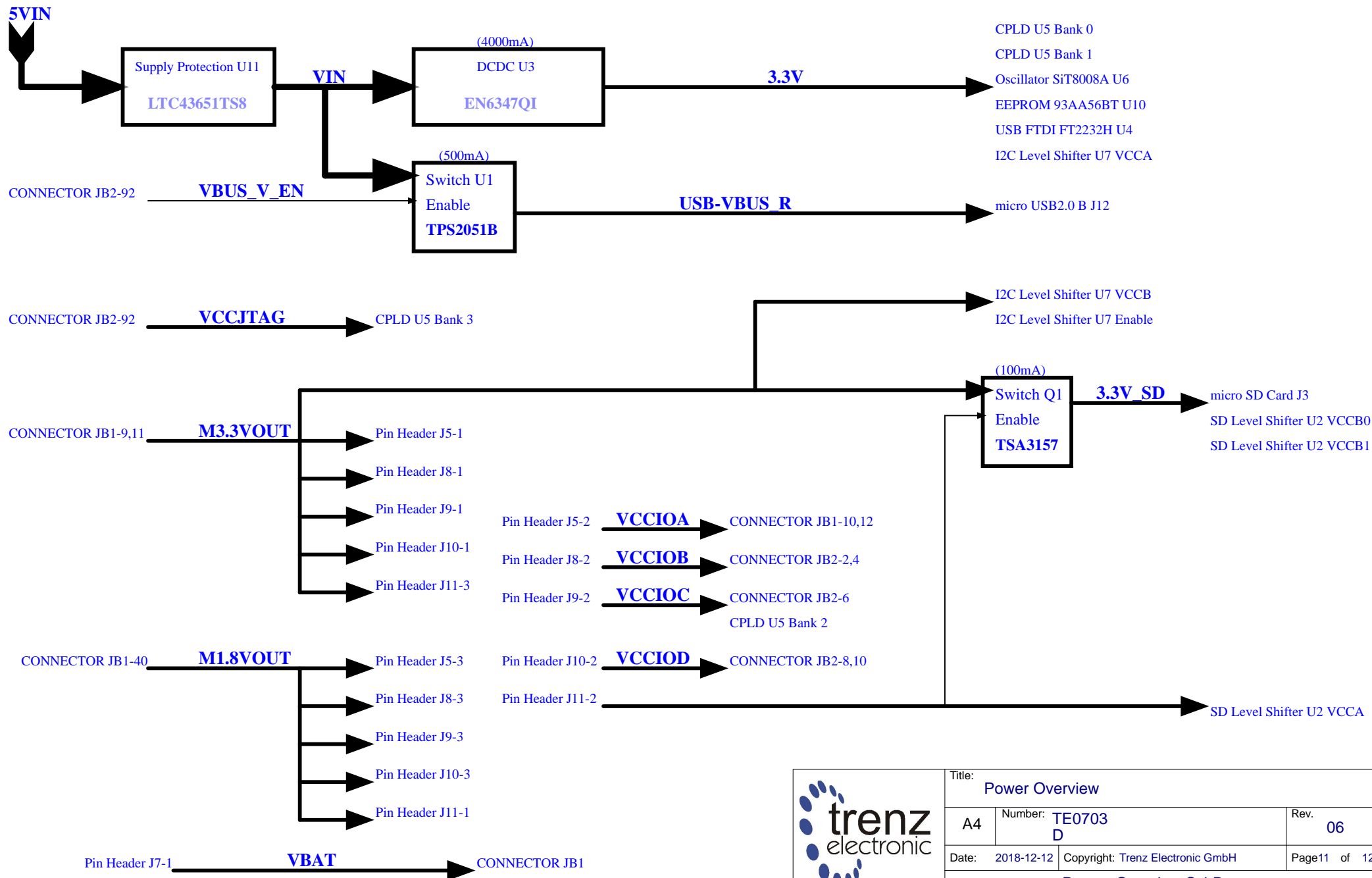
D



Title: <b>USB-JTAG</b>		
A4	Number: <b>TE0703</b> <b>D</b>	Rev. <b>06</b>
Date: <b>2018-12-12</b>	Copyright: <b>Trenz Electronic GmbH</b>	Page <b>9</b> of <b>12</b>
Filename: <b>FTDI.SchDoc</b>		



		Title: <b>USB</b>	
		A4	Number: <b>TE0703 D</b>
Date: <b>2018-12-12</b>		Copyright: <b>Trenz Electronic GmbH</b>	
Filename: <b>USB.SchDoc</b>		Page <b>10</b> of <b>12</b>	



Title: Power Overview		
A4	Number: TE0703 D	Rev. 06
Date: 2018-12-12	Copyright: Trenz Electronic GmbH	Page 11 of 12
Filename: Power_Overview.SchDoc		

CHANGES REV04 to REV05

- 1) J5 changed to 3 pin jumper to select 3.3V or 1.8V, added 3pin jumpers for each bank
- 2) PWR connector type changed THT->SMD
- 3) changed FT2232 different IC package (56pins)
- 4) changed micro SD-card slot
- 5) changed micro-USB
- 6) added series resistors 10K to FLED0,FLED1 and connect to CPLD
- 7) added serial number (traceability pad)

23.11.2017:

- 8) U8 MP5010ADQ-LF-Z replaced to MP5010BDQ-LF-Z

CHANGES REV05 to REV06


- 1) microSD card connector (J3) changed to industrial
- 2) changed PB (S1) to industrial
- 3) replaced input power protection
- 4) added jumper (J11) to select SD level shifter voltage on FPGA side
- 5) added power switch for SD level shifter supply voltages to ensure power sequencing of level shifter
- 6) replaced R5 and VBUS capacitors, add 00hm resistors to OTG-ID
- 7) replaced jumpers by SMD versions, moved VBAT to other position
- 8) routing length of diff pairs B34\_L17, B34\_L15, B34\_L21, B34\_L13, B34\_L10, B34\_L20 changed

2019-08-29

- 9) Replaced R31 by 953K and R35 by 147K

2022-05-04

- 10) Set S/N Track-it pad not fitted

	Title: <b>TE0703 - Changes list</b>		
	A4	Number: <b>TE0703 D</b>	Rev. <b>06</b>
	Date: <b>2018-12-12</b>	Copyright: <b>Trenz Electronic GmbH</b>	Page <b>12</b> of <b>12</b>
	Filename: <b>Revision_Changes.SchDoc</b>		