

1

2

3

4

A

A

U\_B2B\_Connectors  
B2B\_Connectors.SchDoc

Ethernet  
Ethernet.SchDoc

U\_FTDI  
FTDI.SchDoc

U\_CPLD  
CPLD.SchDoc

U\_VG\_CONN  
VG\_CONN.SchDoc

U\_USB  
USB.SchDoc

SDCard  
SDCard.SchDoc

U\_CPLD  
CPLD.SchDoc

U\_POWER  
POWER.SchDoc

U\_POWER  
POWER.SchDoc

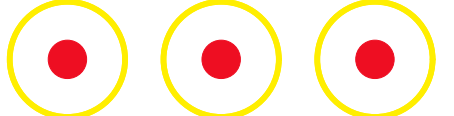
U\_LED\_SW\_BUT  
LED\_SW\_BUT.SchDoc

U\_LED\_SW\_BUT  
LED\_SW\_BUT.SchDoc

B

B

FIDU-DOT - small FIDU-DOT - small FIDU-DOT - small



PM1 FIDU-DOT - small PM2 FIDU-DOT - small PM3 FIDU-DOT - small



PM4 PM5 PM6

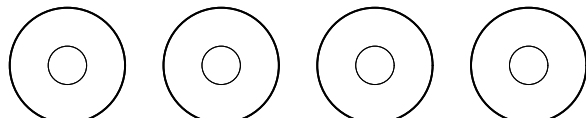


Serial  
Serial  
Serialnumber 6,3 x 6.3mm

C

C

Mount.Hole 3.2mm Mount.Hole 3.2mm Mount.Hole 3.2mm Mount.Hole 3.2mm



GND GND GND GND

LOGO1

TE Logo PRINT Layer

LOGO PRINT

D

D



Title: Overview		
A4	Number: TE0703 M	Rev. 06
Date: 2018-12-12	Copyright: Trenz Electronic GmbH	Page1 of 12
Filename: TE0703.SchDoc		

1

2

3

4

A

B

C

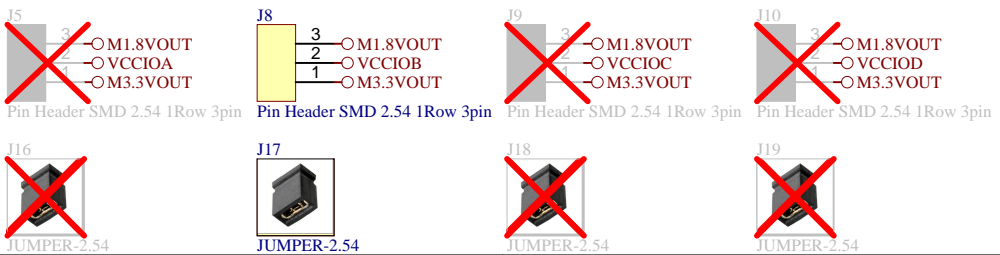
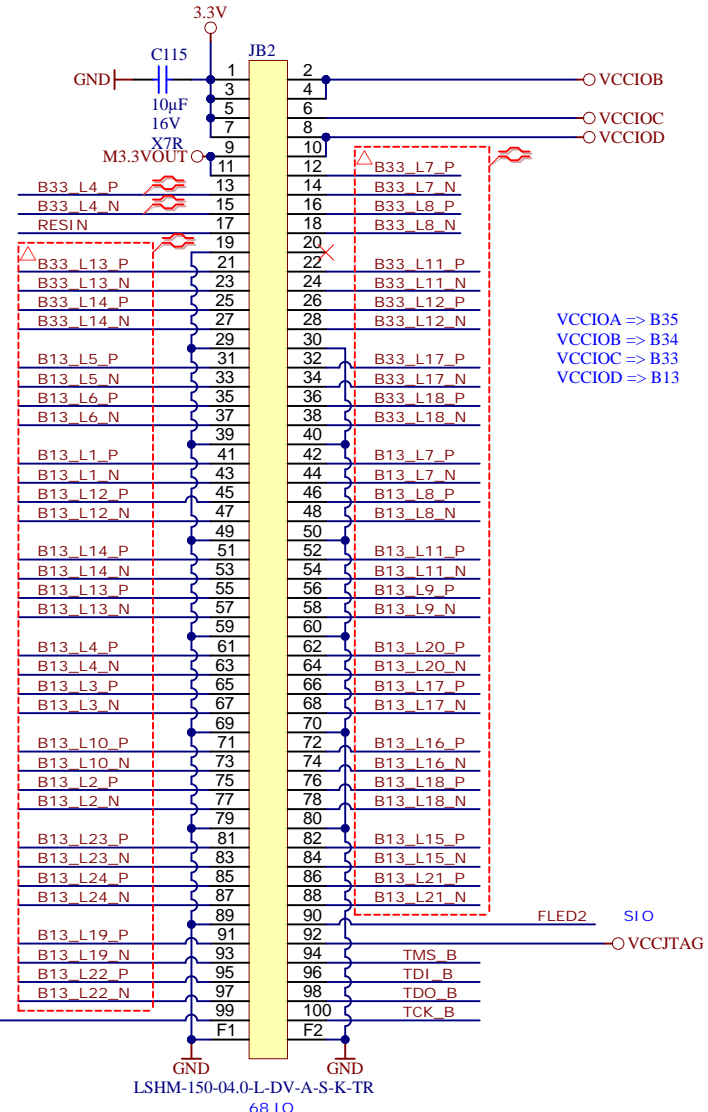
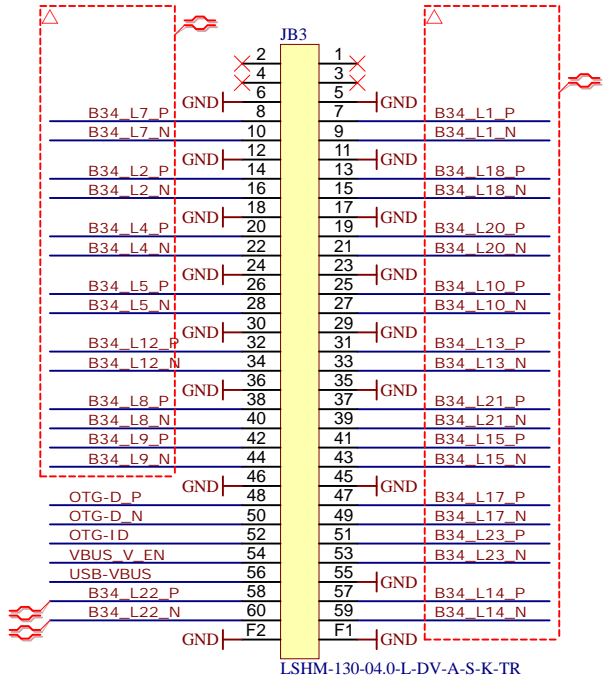
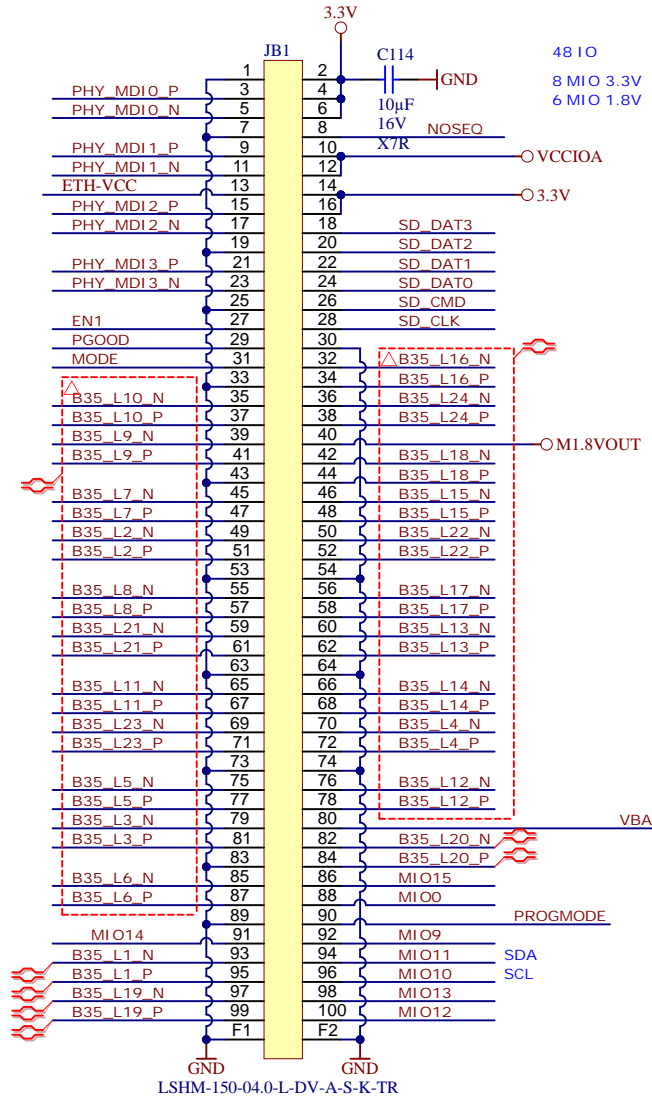
D

A

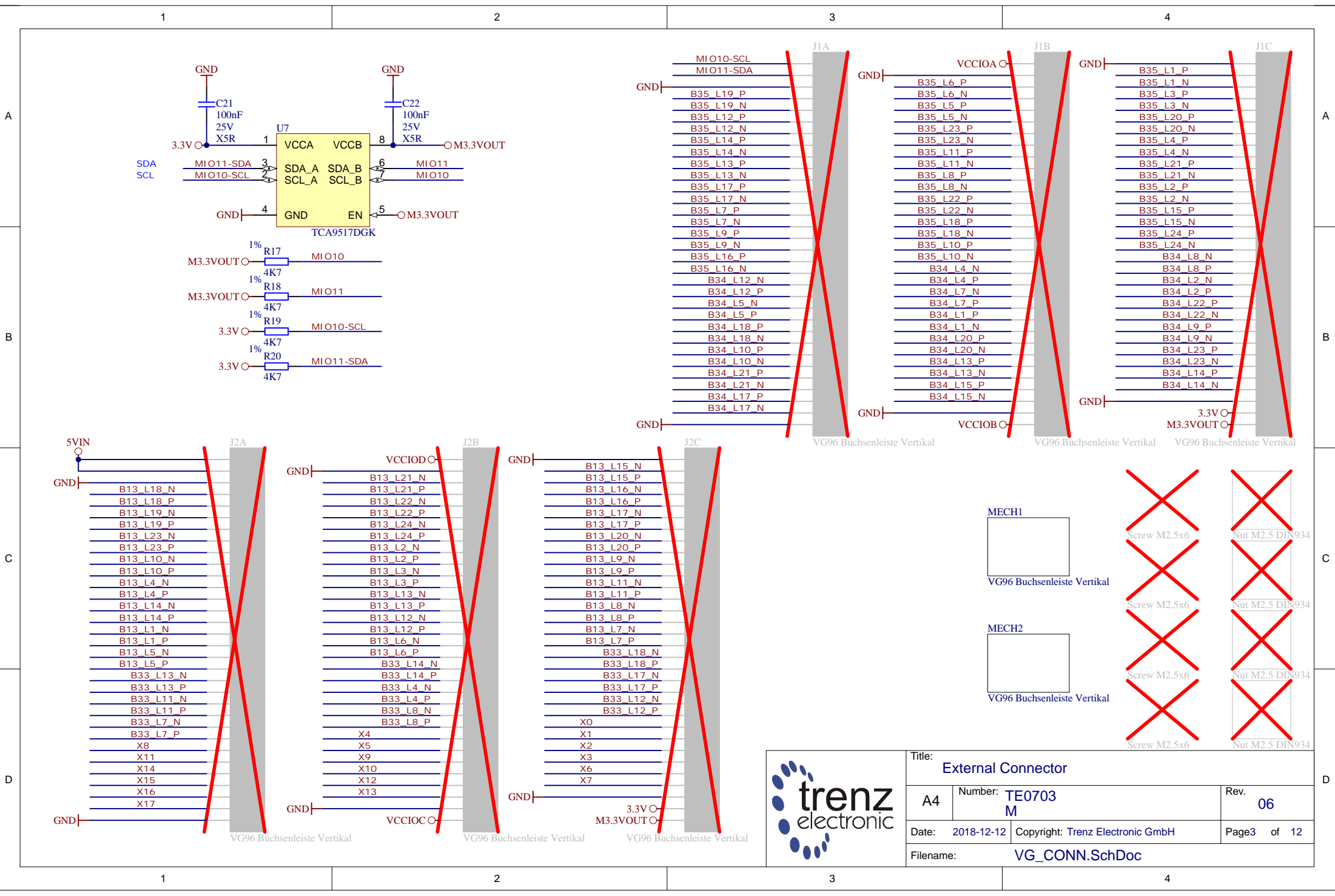
B

C

D



Title: <b>B2B Connector</b>		
A4	Number: <b>TE0703 M</b>	Rev. <b>06</b>
Date: 2018-12-12	Copyright: Trenz Electronic GmbH	
Page 2		of 12
Filename: <b>B2B_Connectors.SchDoc</b>		



Title: External Connector		
A4	Number: TE0703 M	Rev. 06
Date: 2018-12-12	Copyright: Trenz Electronic GmbH	Page 3 of 12
Filename: VG_CONN.SchDoc		

1

2

3

4

A

A

B

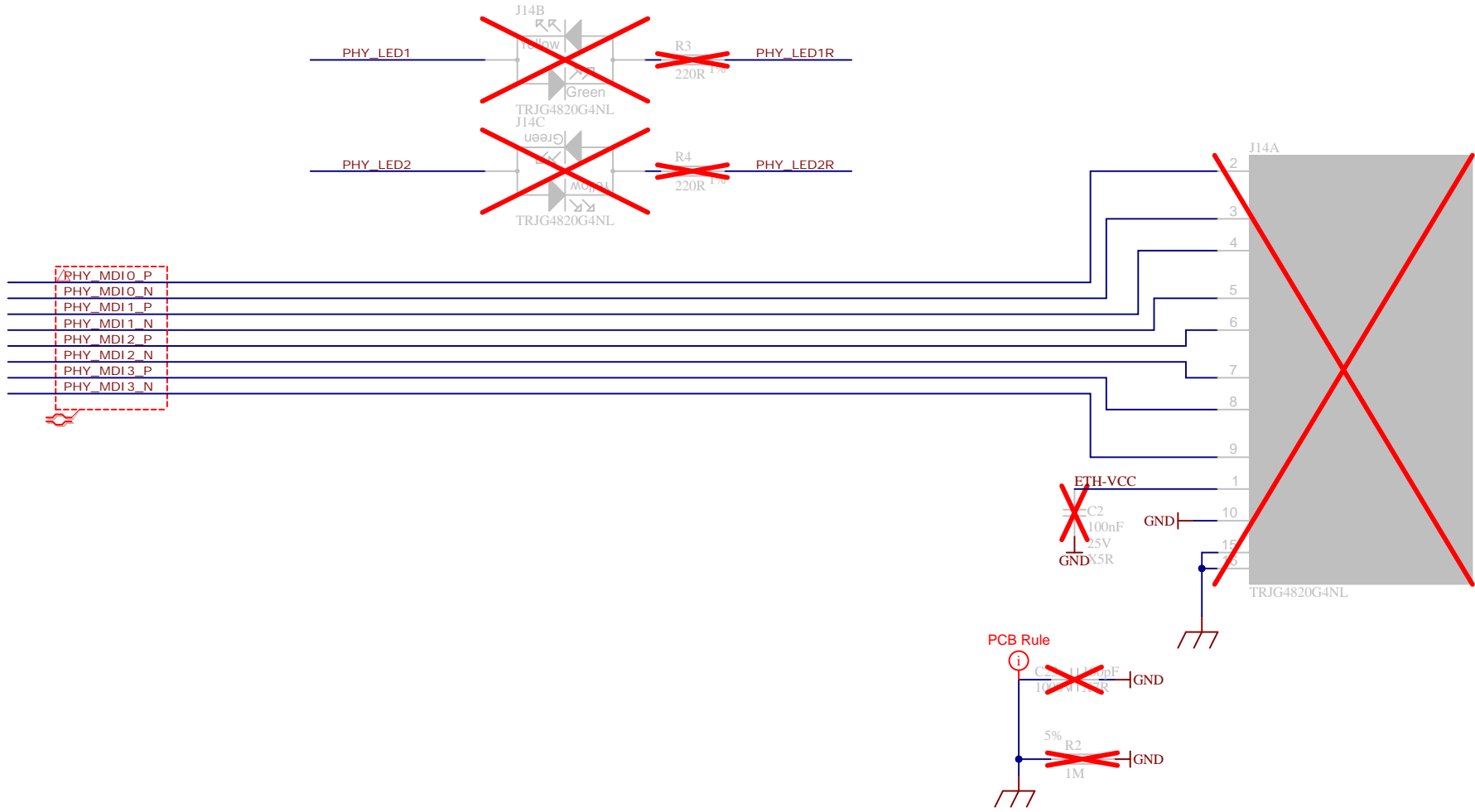
B

C

C

D

D



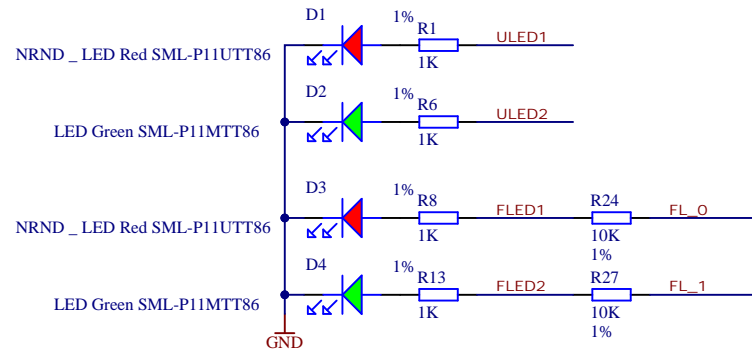
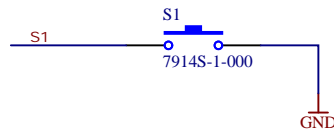
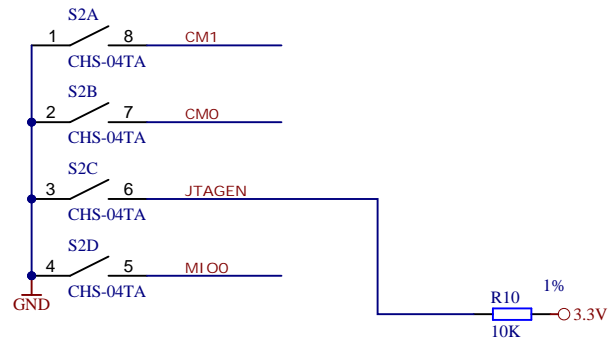
Title: Ethernet		
A4	Number: TE0703 M	Rev. 06
Datum: 2018-12-12	Zeichner: Trenz Electronic GmbH	Blatt 4 von 12
Filename: Ethernet.SchDoc		


1

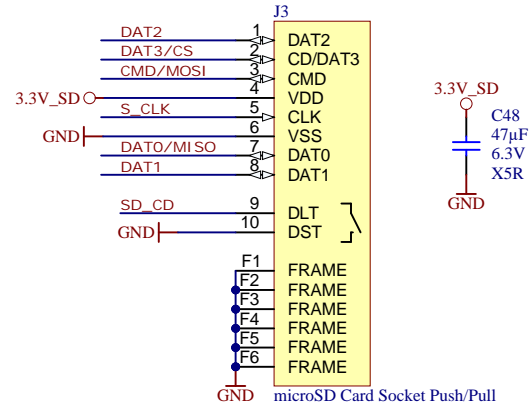
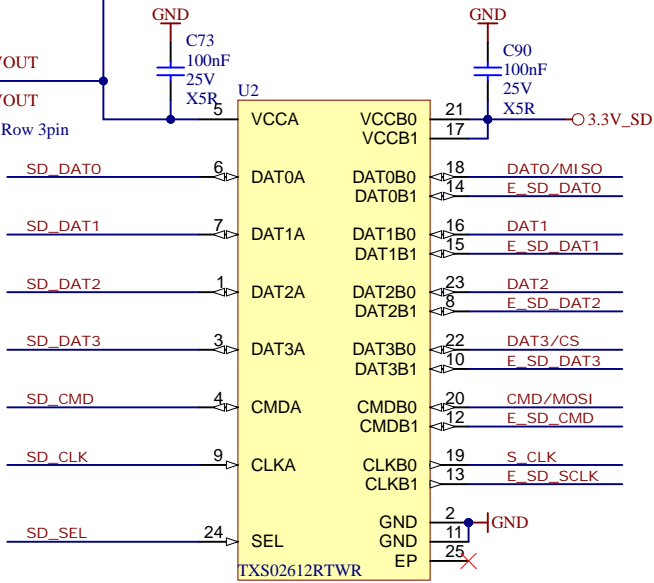
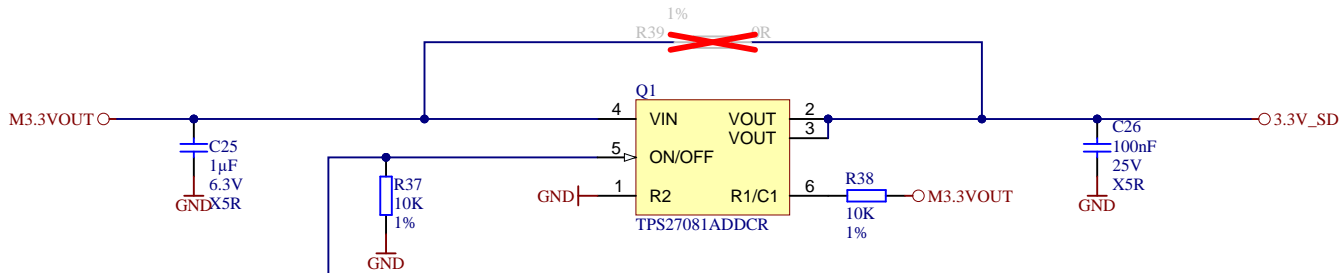
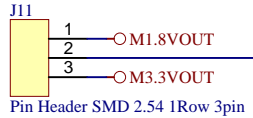
2

3

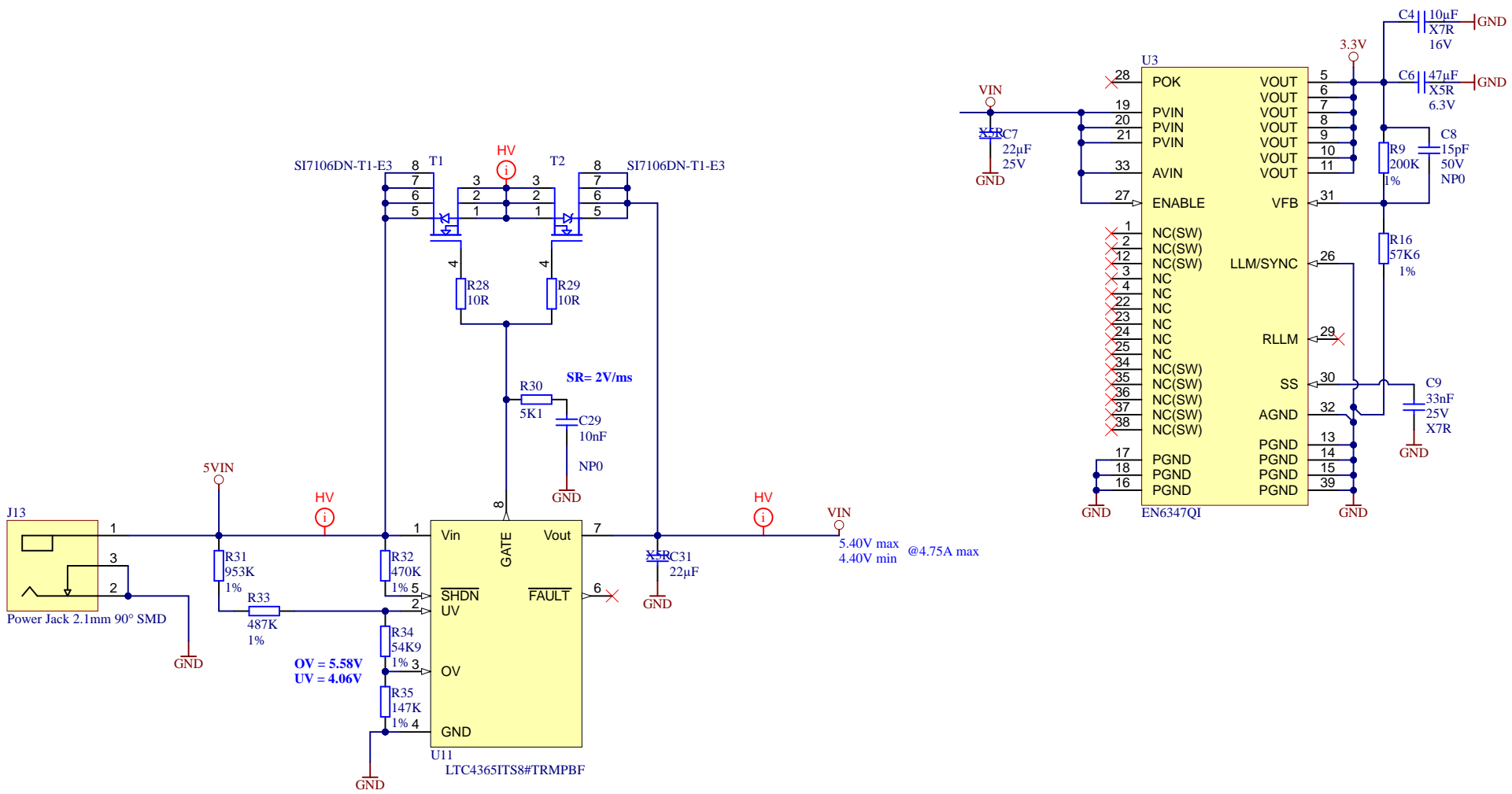
4



	Title: LED-Switch		
	A4	Number: TE0703 M	Rev. 06
	Date: 2018-12-12	Copyright: Trenz Electronic GmbH	Page 5 of 12
	Filename: LED_SW_BUT.SchDoc		



Title: SD Card		
A4	Number: TE0703 M	Rev. 06
Date: 2018-12-12	Copyright: Trenz Electronic GmbH	Page 6 of 12
Filename: SDCard.SchDoc		



	Title: <b>Power</b>	
	A4	Number: <b>TE0703 M</b>
	Datum: 2018-12-12	Zeichner: Trenz Electronic GmbH
	Rev. <b>06</b>	Blatt 7 von 12
Filename: <b>POWER.SchDoc</b>		

1

2

3

4

A

A

B

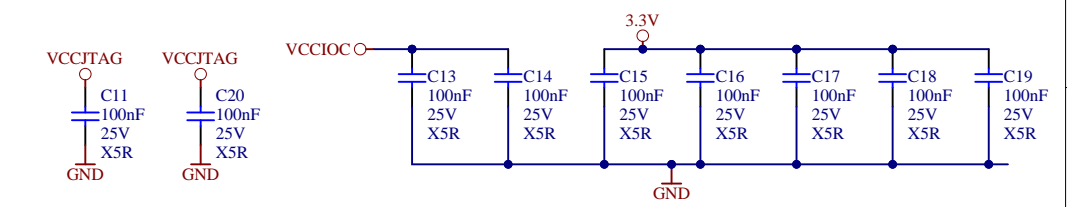
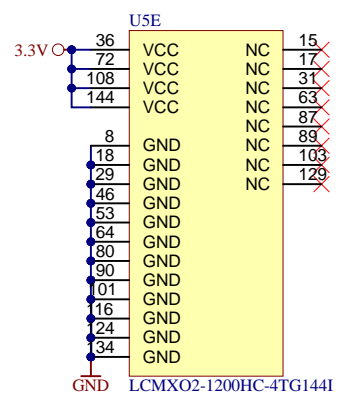
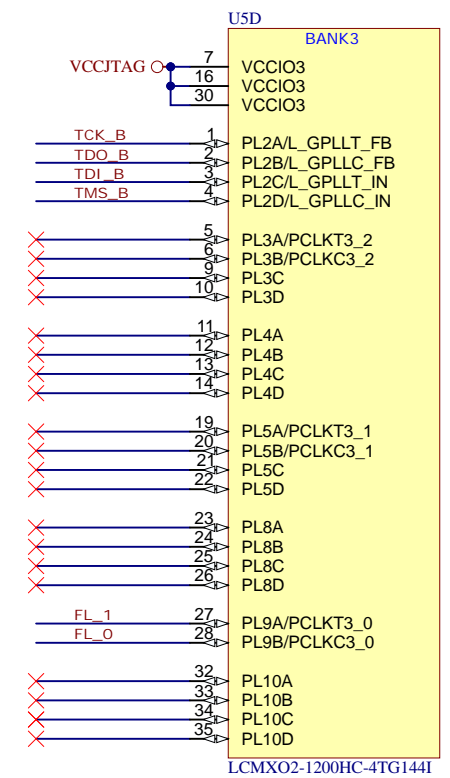
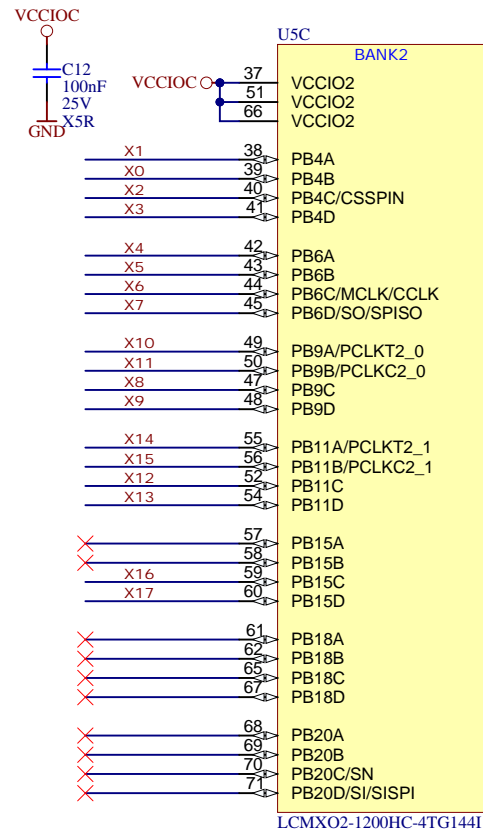
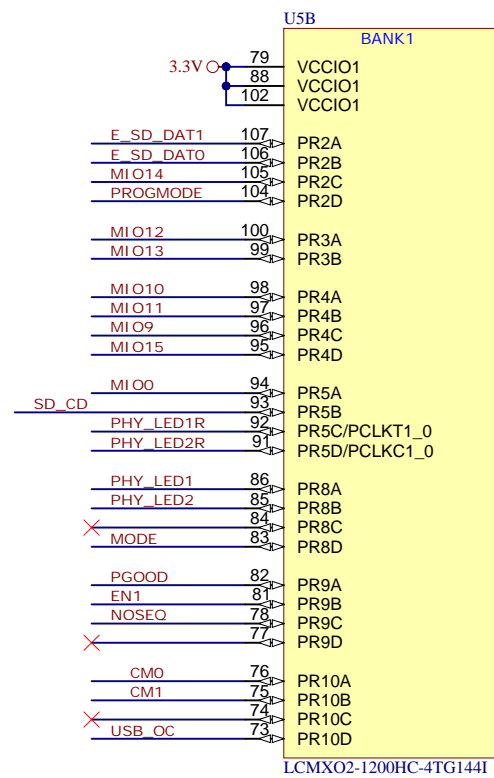
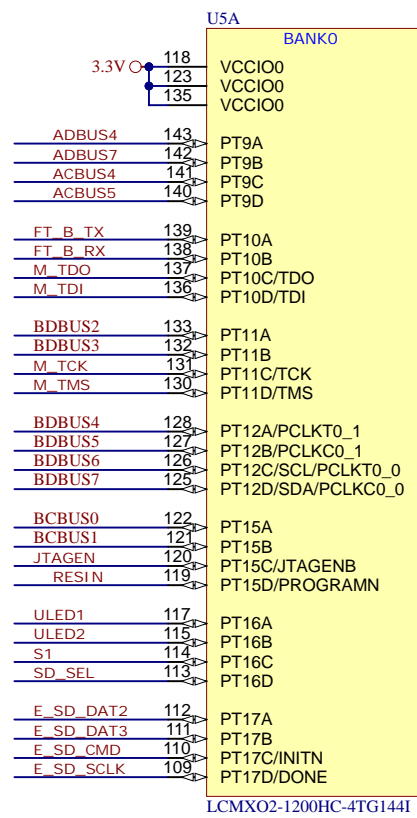
B

C

C

D

D



**System Monitor**

A4	Number: <b>TE0703</b> M	Rev. <b>06</b>
Date: 2018-12-12	Copyright: Trenz Electronic GmbH	Page 8 of 12
Filename: <b>CPLD.SchDoc</b>		

1

2

3

4



A

A

B

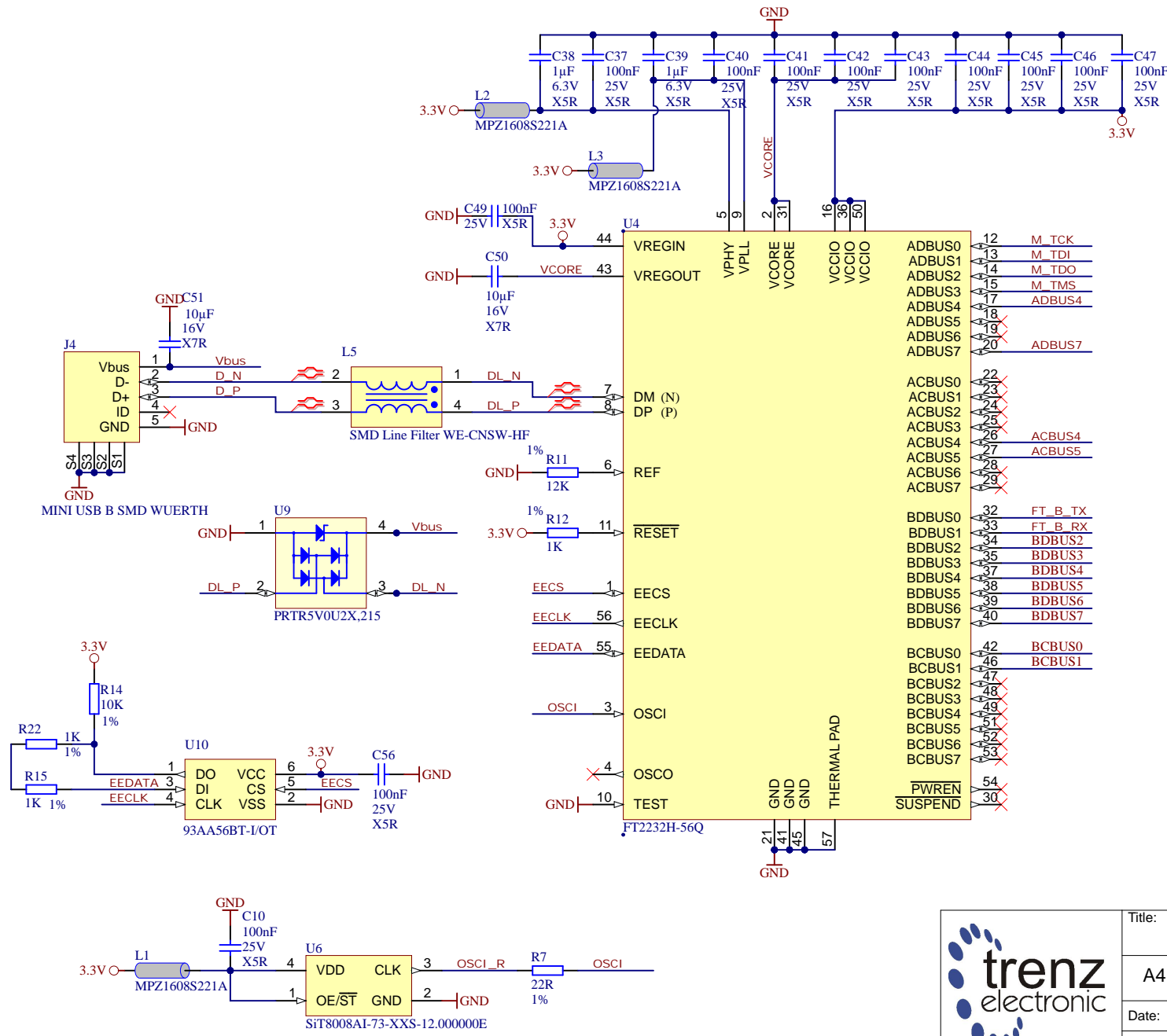
B

C

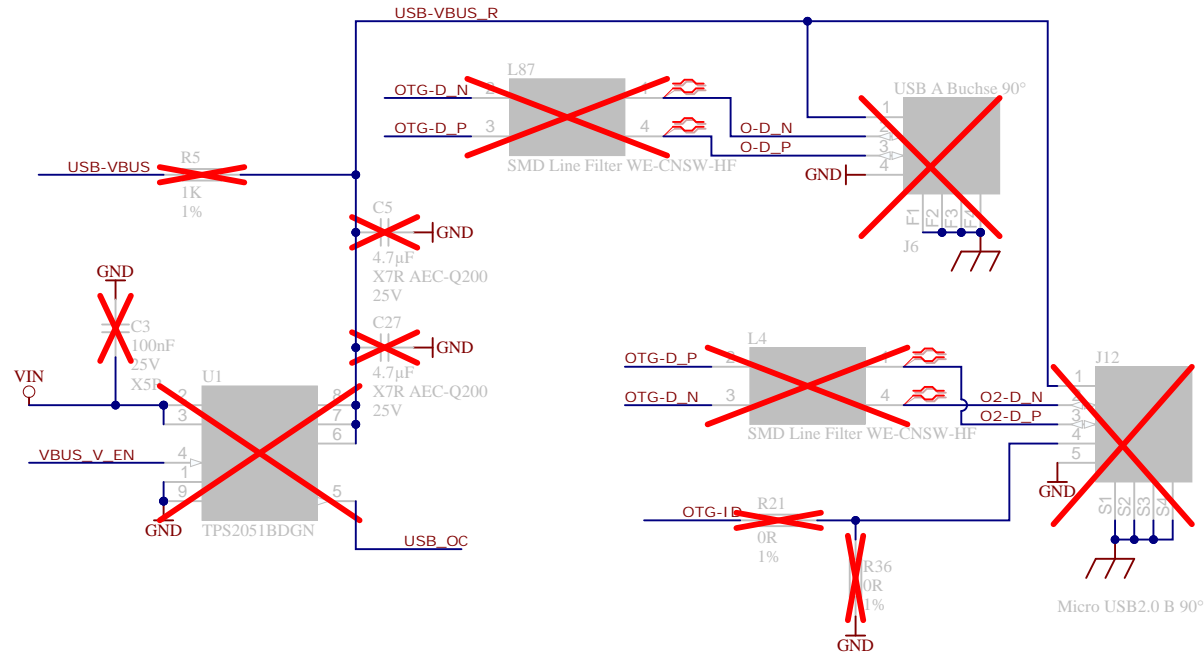
C


D

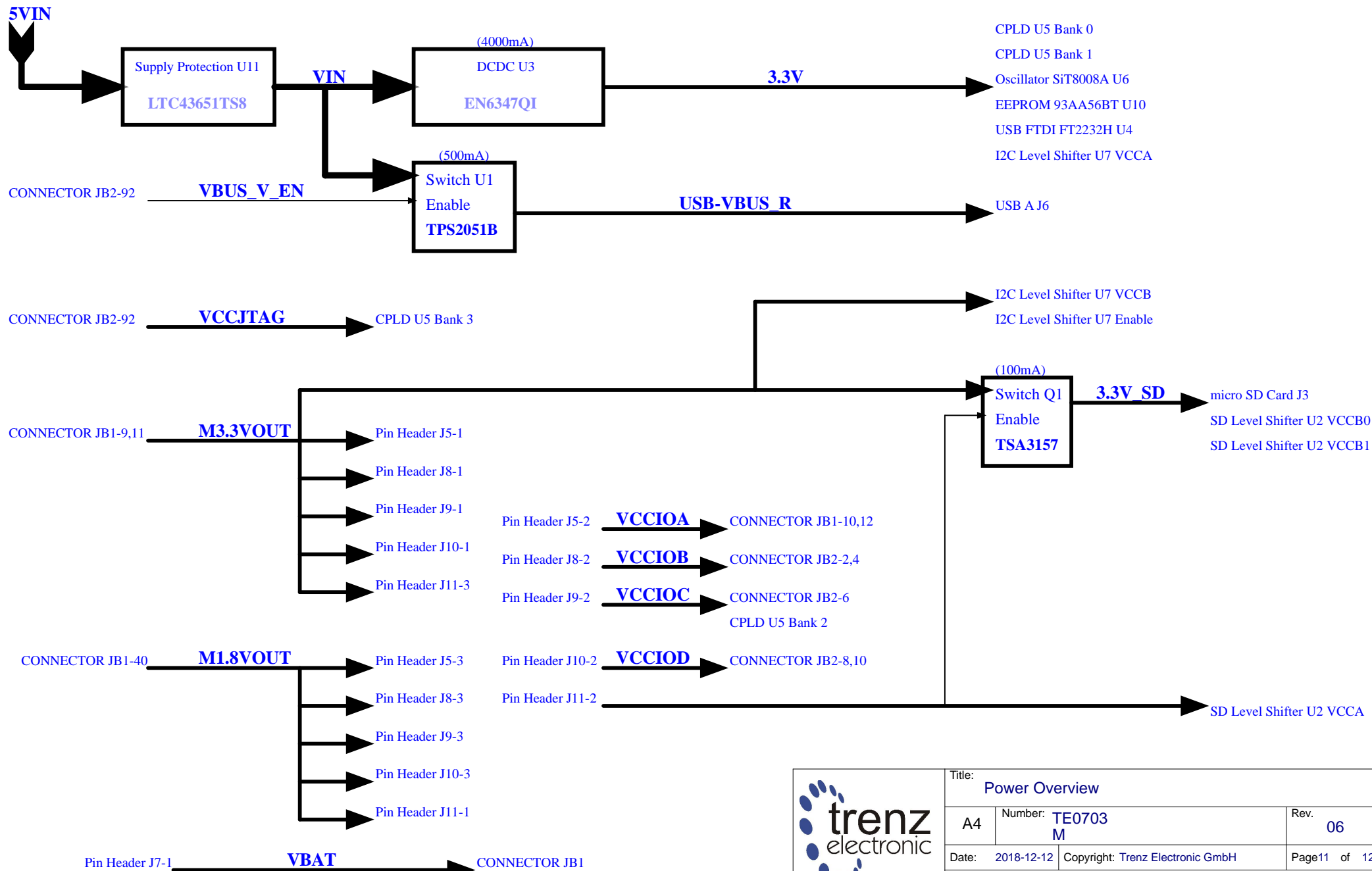
D



Title: <b>USB-JTAG</b>		
A4	Number: <b>TE0703 M</b>	Rev. <b>06</b>
Date: <b>2018-12-12</b>	Copyright: <b>Trenz Electronic GmbH</b>	Page <b>9</b> of <b>12</b>
Filename: <b>FTDI.SchDoc</b>		



	Title: <b>USB</b>		
	A4	Number: <b>TE0703 M</b>	Rev. <b>06</b>
	Date: <b>2018-12-12</b>	Copyright: <b>Trenz Electronic GmbH</b>	Page <b>10</b> of <b>12</b>
	Filename: <b>USB.SchDoc</b>		



Title: Power Overview		
A4	Number: TE0703 M	Rev. 06
Date: 2018-12-12	Copyright: Trenz Electronic GmbH	Page 11 of 12
Filename: Power_Overview.SchDoc		

CHANGES REV04 to REV05

- 1) J5 changed to 3 pin jumper to select 3.3V or 1.8V, added 3pin jumpers for each bank
- 2) PWR connector type changed THT->SMD
- 3) changed FT2232 different IC package (56pins)
- 4) changed micro SD-card slot
- 5) changed micro-USB
- 6) added series resistors 10K to FLED0,FLED1 and connect to CPLD
- 7) added serial number (traceability pad)


- 23.11.2017:
- 8) U8 MP5010ADQ-LF-Z replaced to MP5010BDQ-LF-Z

CHANGES REV05 to REV06

- 1) microSD card connector (J3) changed to industrial
- 2) changed PB (S1) to industrial
- 3) replaced input power protection
- 4) added jumper (J11) to select SD level shifter voltage on FPGA side
- 5) added power switch for SD level shifter supply voltages to ensure power sequencing of level shifter
- 6) replaced R5 and VBUS capacitors, add 00hm resistors to OTG-ID
- 7) replaced jumpers by SMD versions, moved VBAT to other position
- 8) routing length of diff pairs B34\_L17, B34\_L15, B34\_L21, B34\_L13, B34\_L10, B34\_L20 changed

- 2019-08-29
- 9) Replaced R31 by 953K and R35 by 147K

- 2022-05-04
- 10) Set S/N Track-it pad not fitted

	Title: <b>TE0703 - Changes list</b>		
	A4	Number: <b>TE0703 M</b>	Rev. <b>06</b>
	Date: <b>2018-12-12</b>	Copyright: <b>Trenz Electronic GmbH</b>	Page <b>12</b> of <b>12</b>
	Filename: <b>Revision_Changes.SchDoc</b>		