

1

2

3

4

A

A

U_B2B_Connectors
B2B_Connectors.SchDoc

Ethernet
Ethernet.SchDoc

U_FTDI
FTDI.SchDoc

U_CPLD
CPLD.SchDoc

U_VG_CONN
VG_CONN.SchDoc

U_USB
USB.SchDoc

SDCard
SDCard.SchDoc

U_CPLD
CPLD.SchDoc

U_POWER
POWER.SchDoc

U_POWER
POWER.SchDoc

U_LED_SW_BUT
LED_SW_BUT.SchDoc

U_LED_SW_BUT
LED_SW_BUT.SchDoc

FIDU-DOT - small

FIDU-DOT - small

FIDU-DOT - small

PM1
FIDU-DOT - small

PM2
FIDU-DOT - small

PM3
FIDU-DOT - small

PM4

PM5

PM6



Serial
Serial
Serialnumber 6,3 x 6.3mm

B

B

C

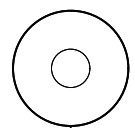
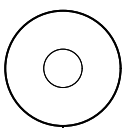
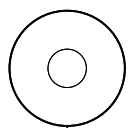
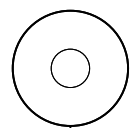
C

Mount.Hole 3.2mm

Mount.Hole 3.2mm

Mount.Hole 3.2mm

Mount.Hole 3.2mm



LOGO1

TE Logo PRINT Layer

LOGO PRINT

D

D



Title: Overview		
A4	Number: TE0703 Default	Rev. 06
Date: 2018-12-12	Copyright: Trenz Electronic GmbH	Page1 of 12
Filename: TE0703.SchDoc		

1

2

3

4

A

B

C

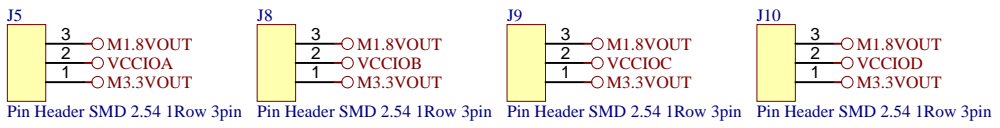
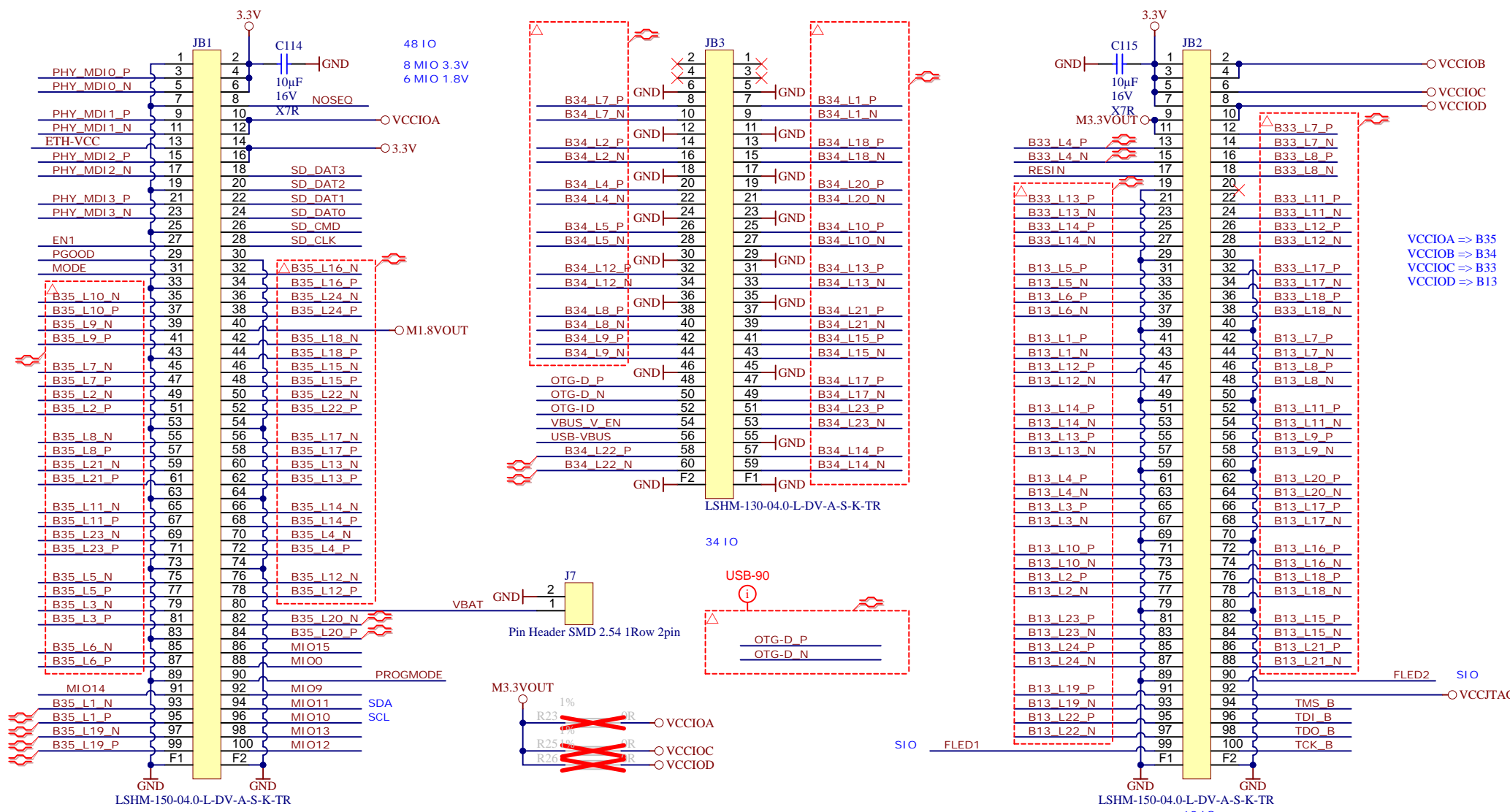
D

A

B

C

D



Title: B2B Connector		
A4	Number: TE0703 Default	Rev. 06
Date: 2018-12-12	Copyright: Trenz Electronic GmbH	
Page 2 of 12		
Filename: B2B_Connectors.SchDoc		

1

2

3

4

A

A

B

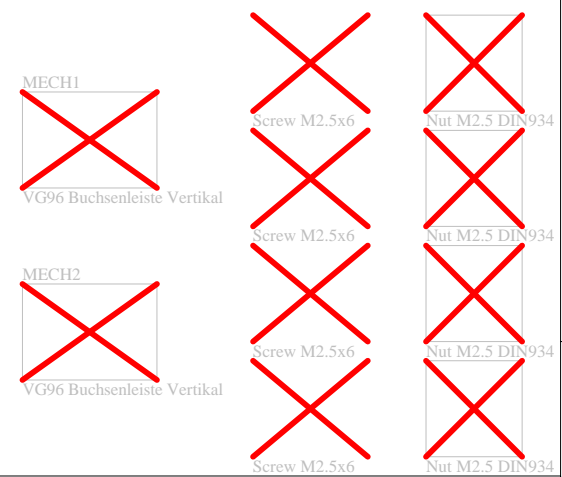
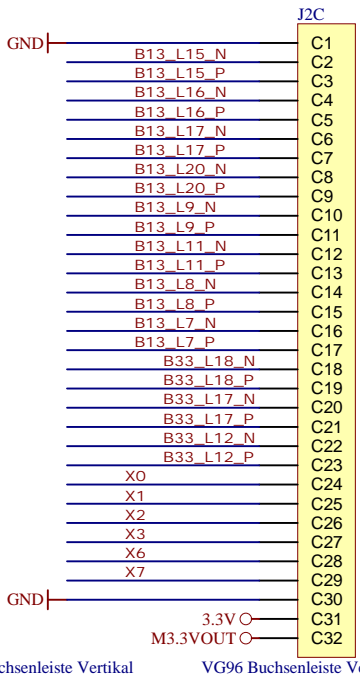
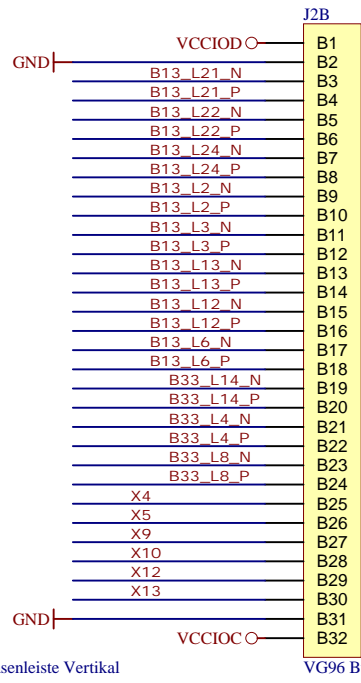
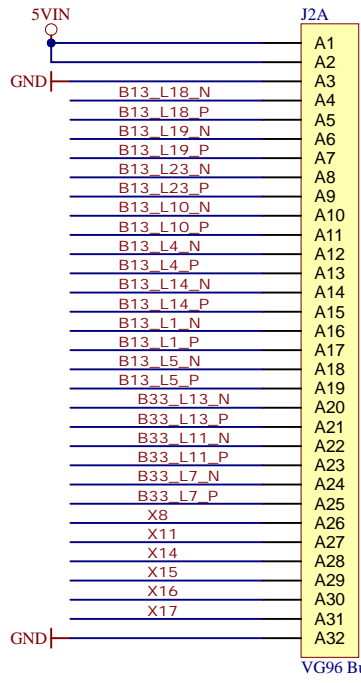
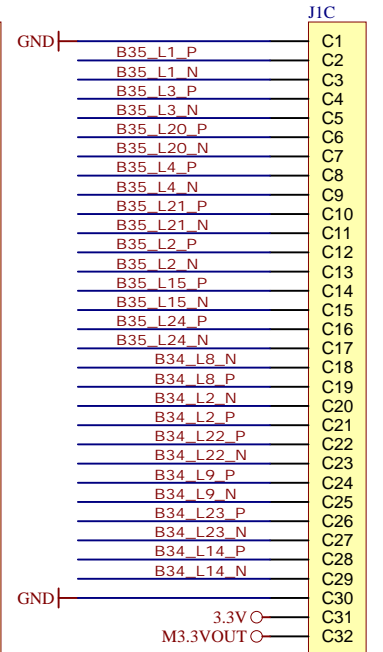
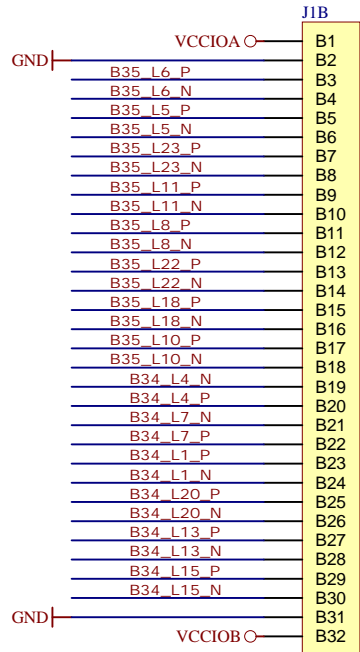
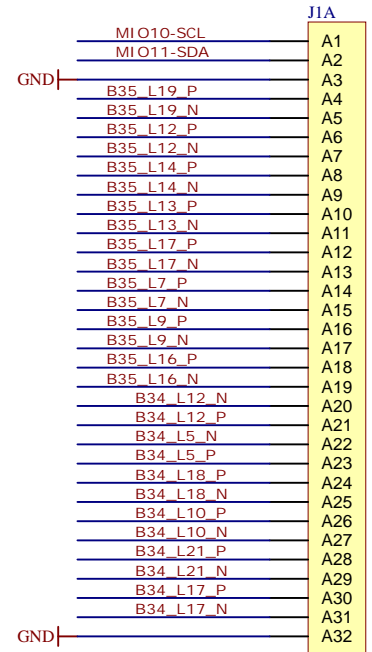
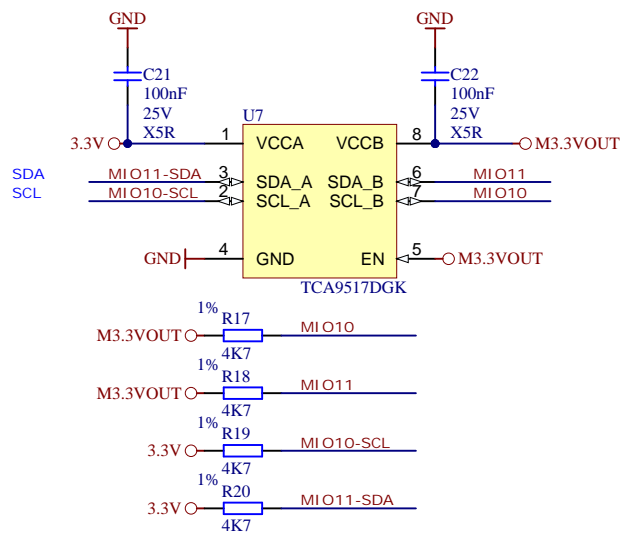
B

C

C

D

D



Title: External Connector			
A4	Number: TE0703 Default	Rev. 06	
Date: 2018-12-12	Copyright: Trenz Electronic GmbH	Page 3 of 12	
Filename: VG_CONN.SchDoc			

1

2

3

4

1

2

3

4

A

A

B

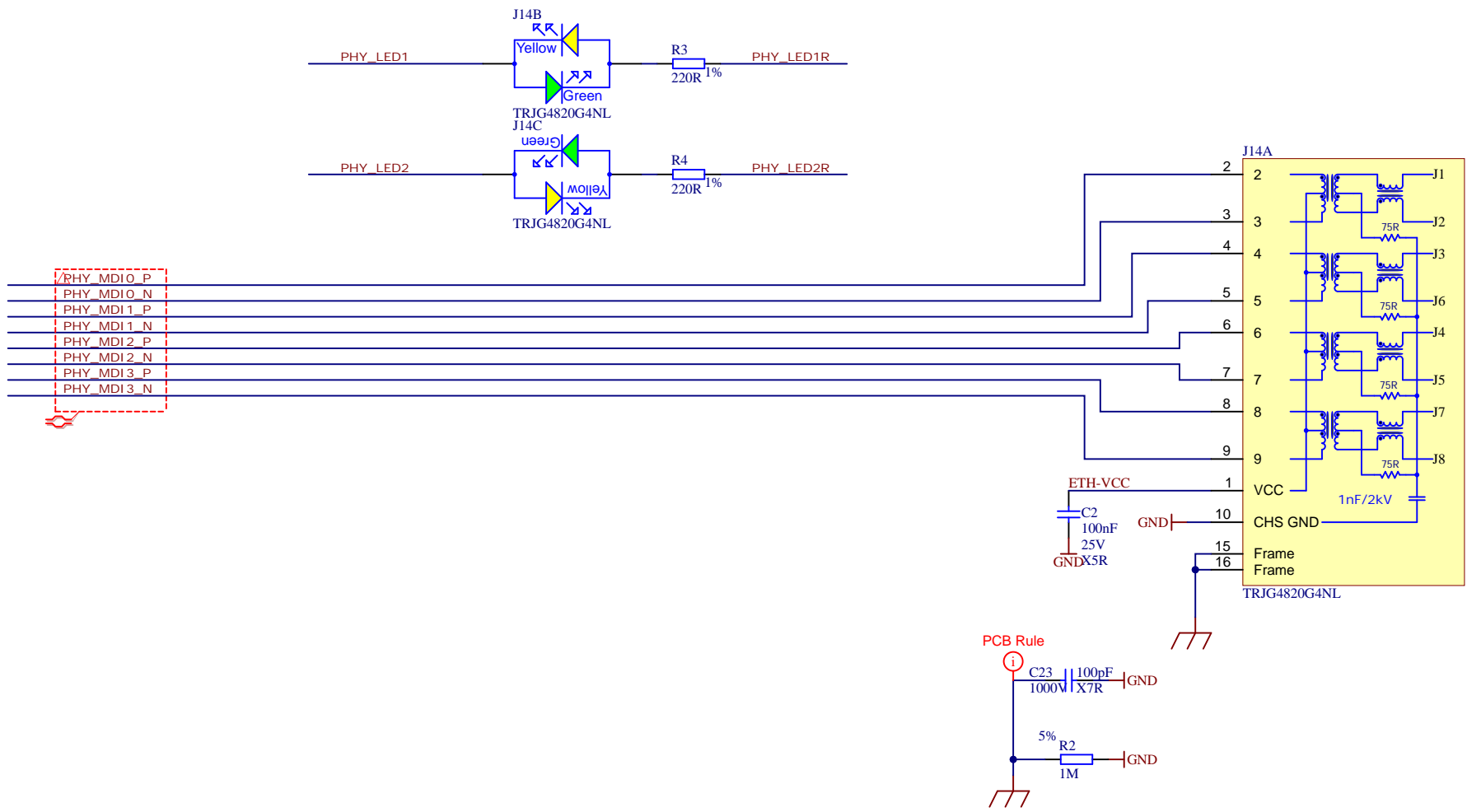
B

C

C

D

D



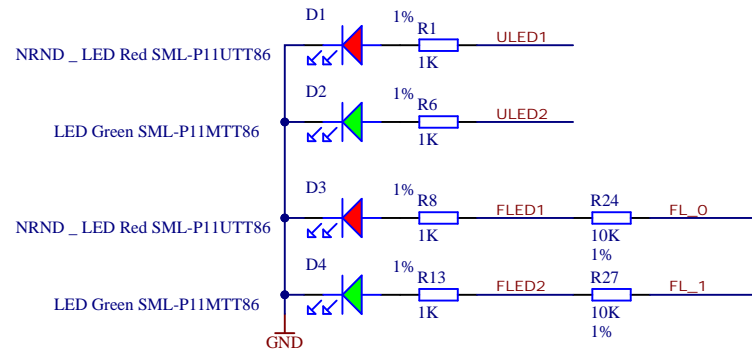
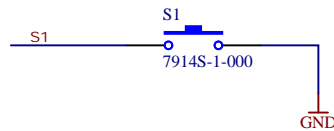
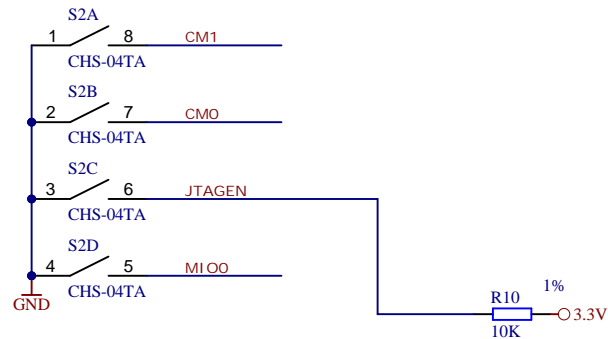
Title: Ethernet		
A4	Nummer: TE0703 Default	Rev. 06
Datum: 2018-12-12	Zeichner: Trenz Electronic GmbH	Blatt 4 von 12
Filename: Ethernet.SchDoc		


1

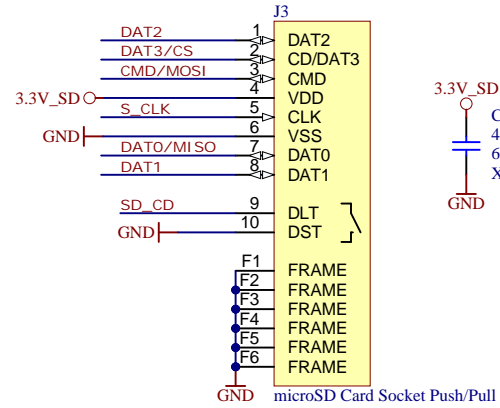
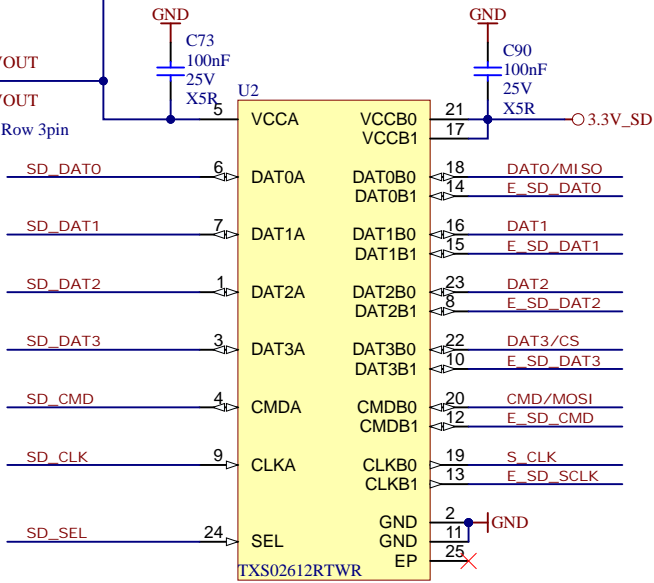
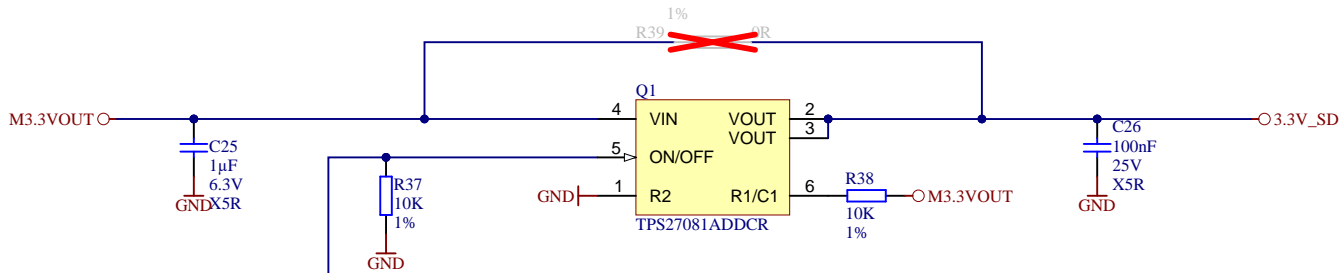
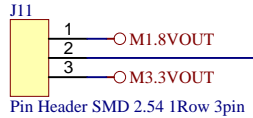
2

3

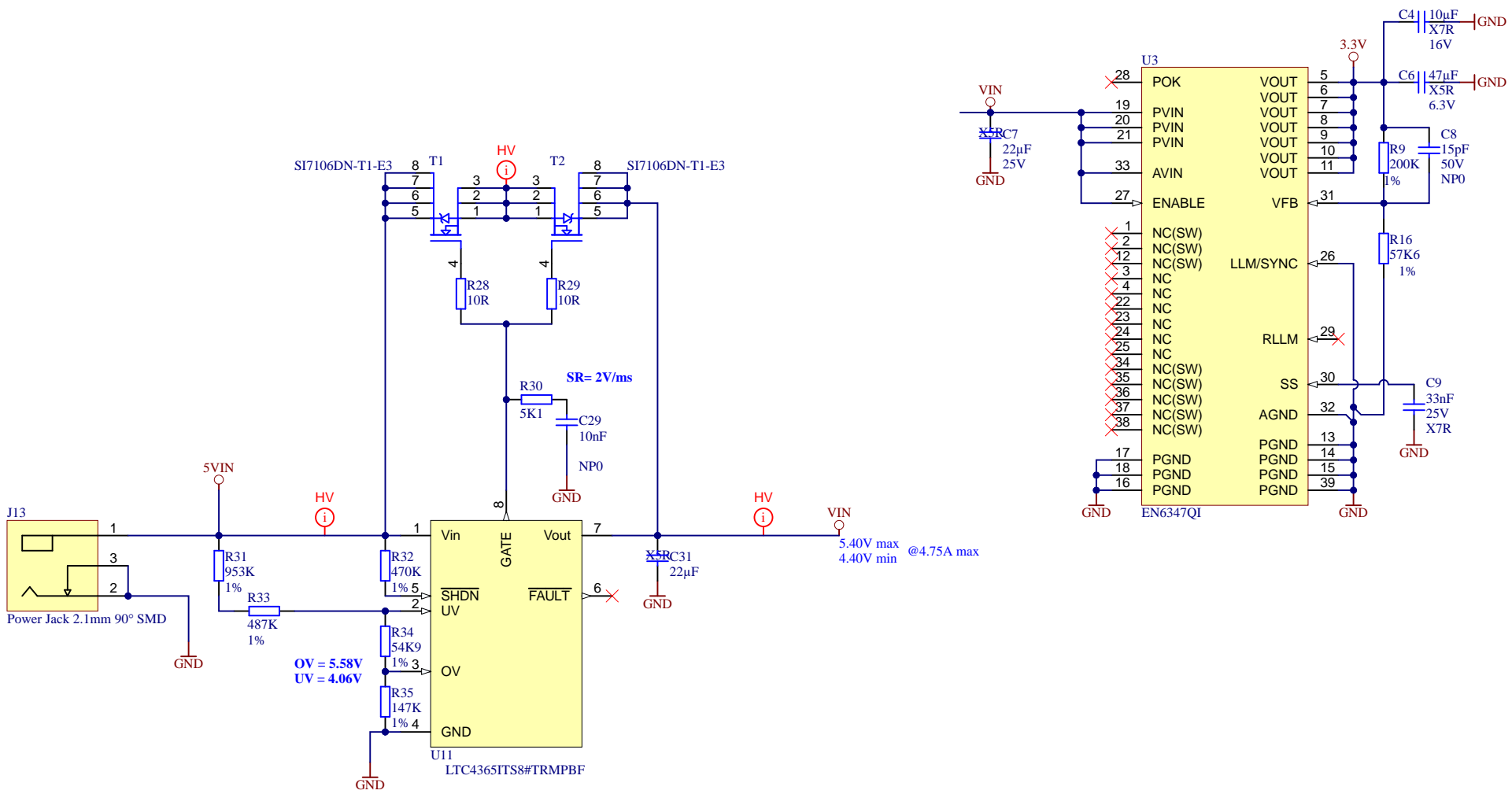
4




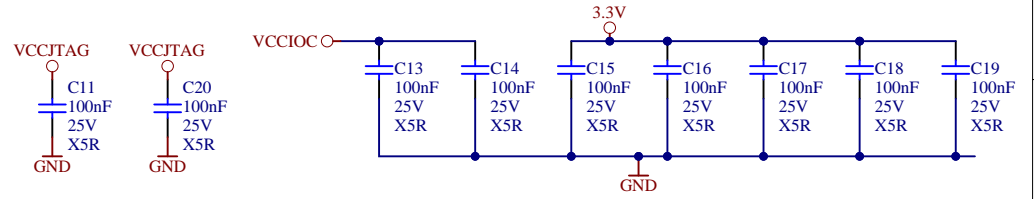
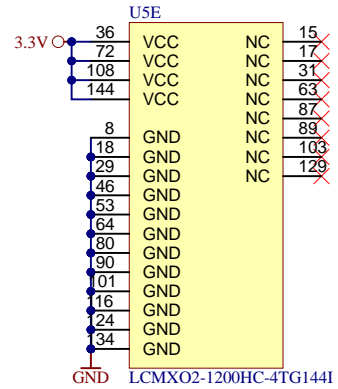
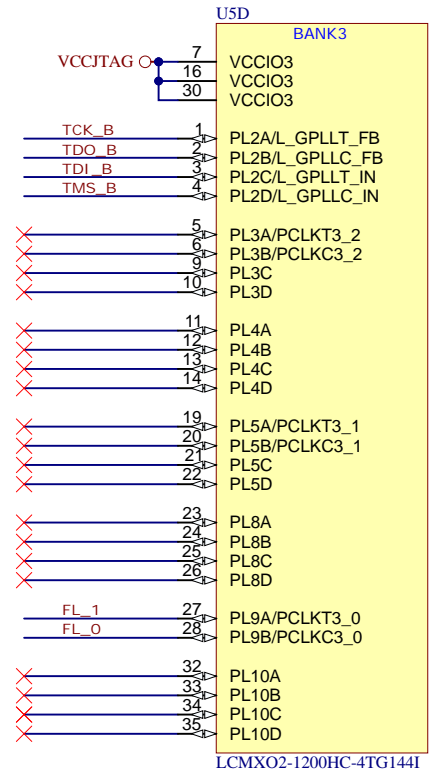
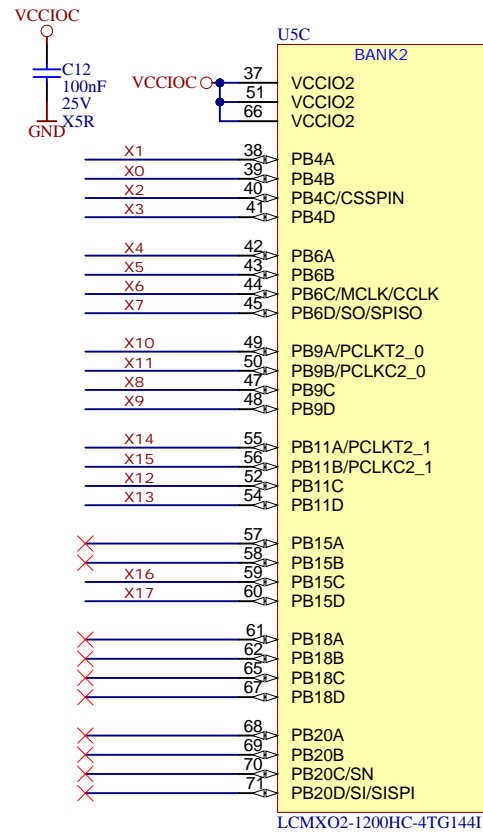
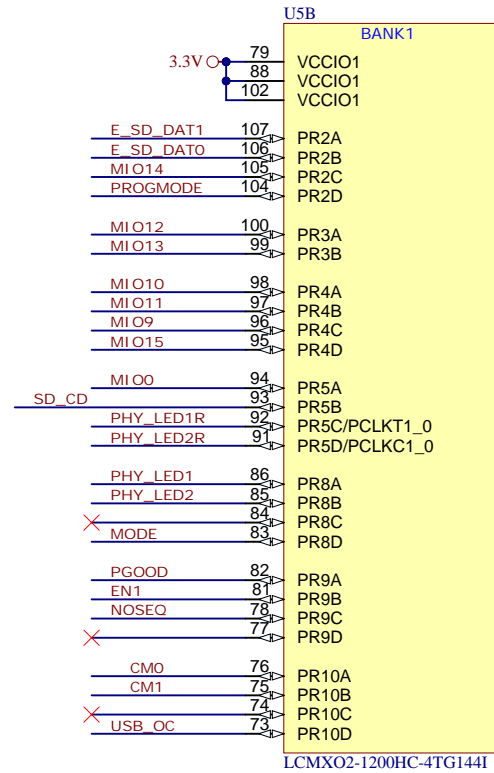
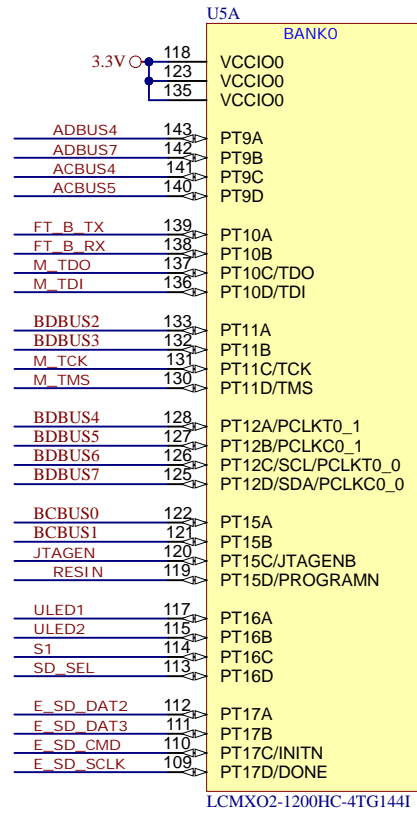
	Title: LED-Switch		
	A4	Number: TE0703 Default	Rev. 06
	Date: 2018-12-12	Copyright: Trenz Electronic GmbH	Page 5 of 12
	Filename: LED_SW_BUT.SchDoc		



			Title: SD Card	
			A4	Number: TE0703 Default
Date: 2018-12-12		Copyright: Trenz Electronic GmbH		Page6 of 12
Filename: SDCard.SchDoc				



		Title: Power	
		A4	Nummer: TE0703 Default Datum: 2018-12-12 Zeichner: Trenz Electronic GmbH Filename: POWER.SchDoc



trenz electronic

Title: **System Monitor**

A4	Number: TE0703 Default	Rev. 06
Date: 2018-12-12	Copyright: Trenz Electronic GmbH	Page 8 of 12
Filename: CPLD.SchDoc		

A

A

B

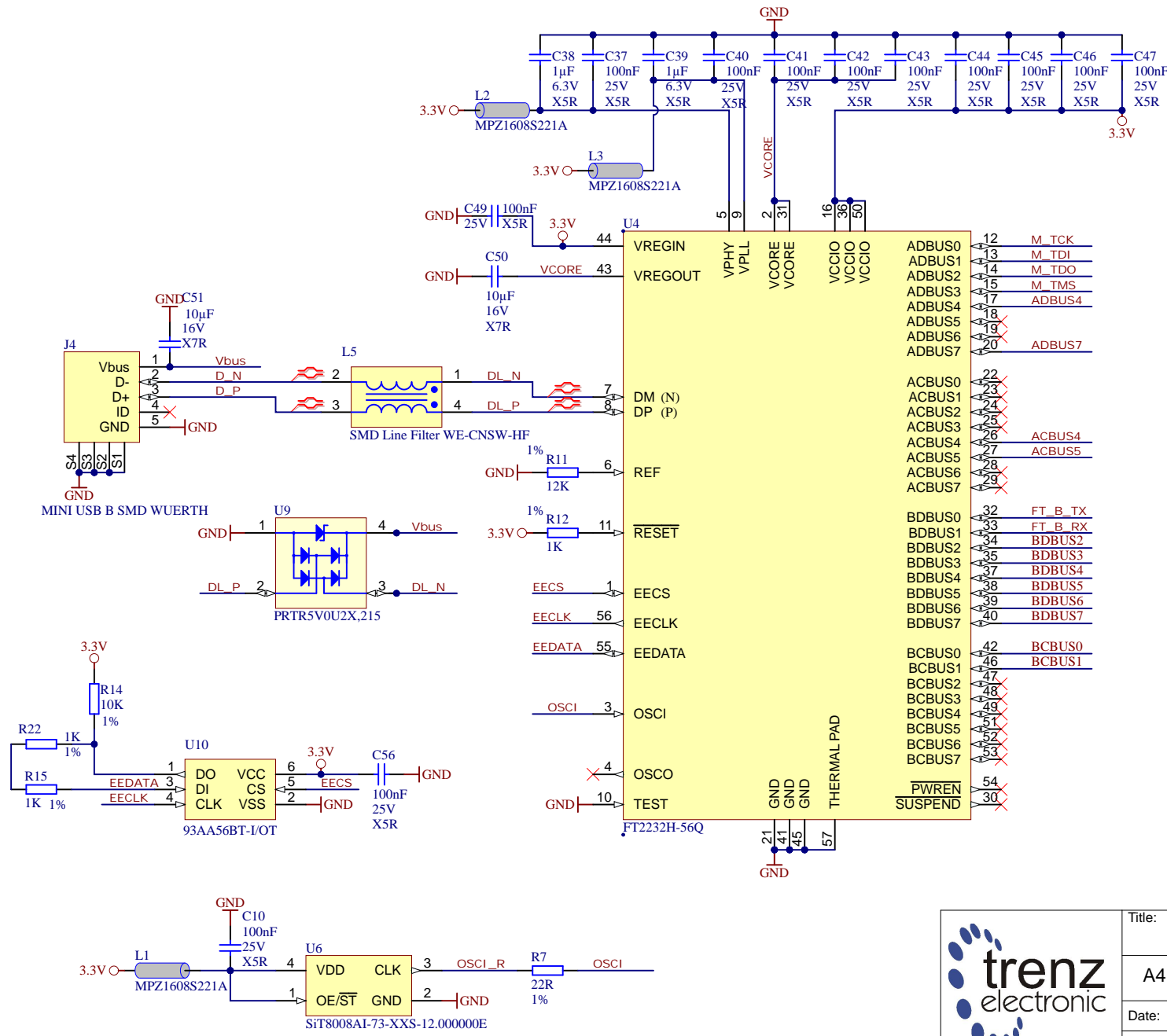
B

C

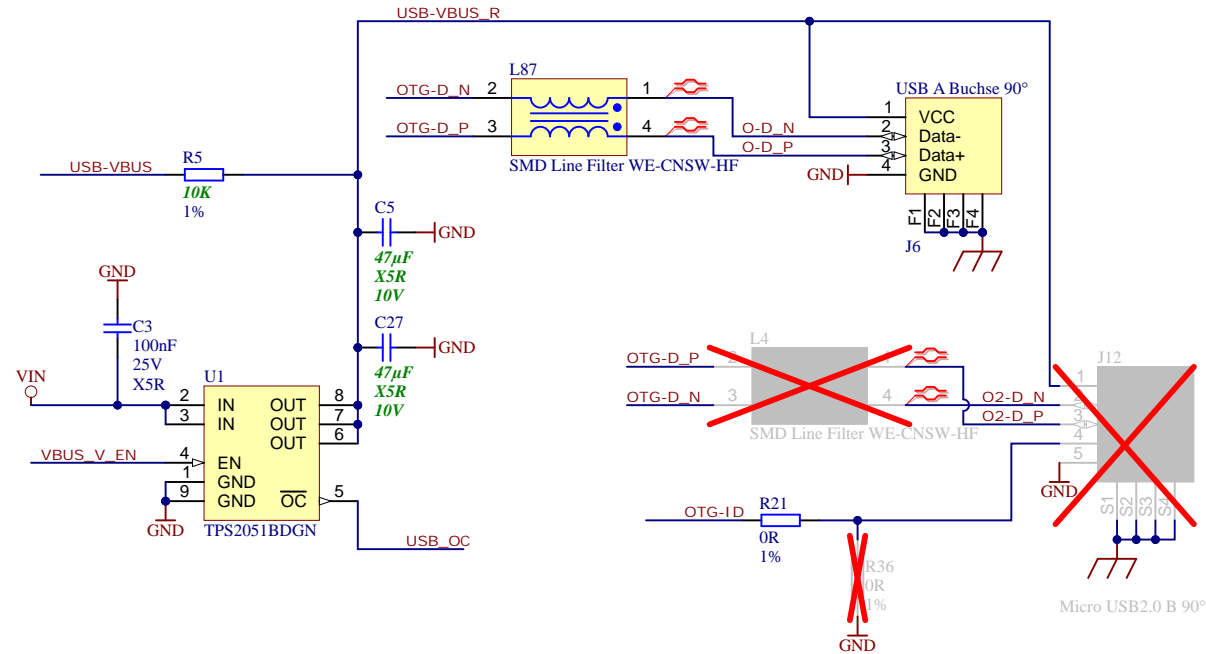
C


D

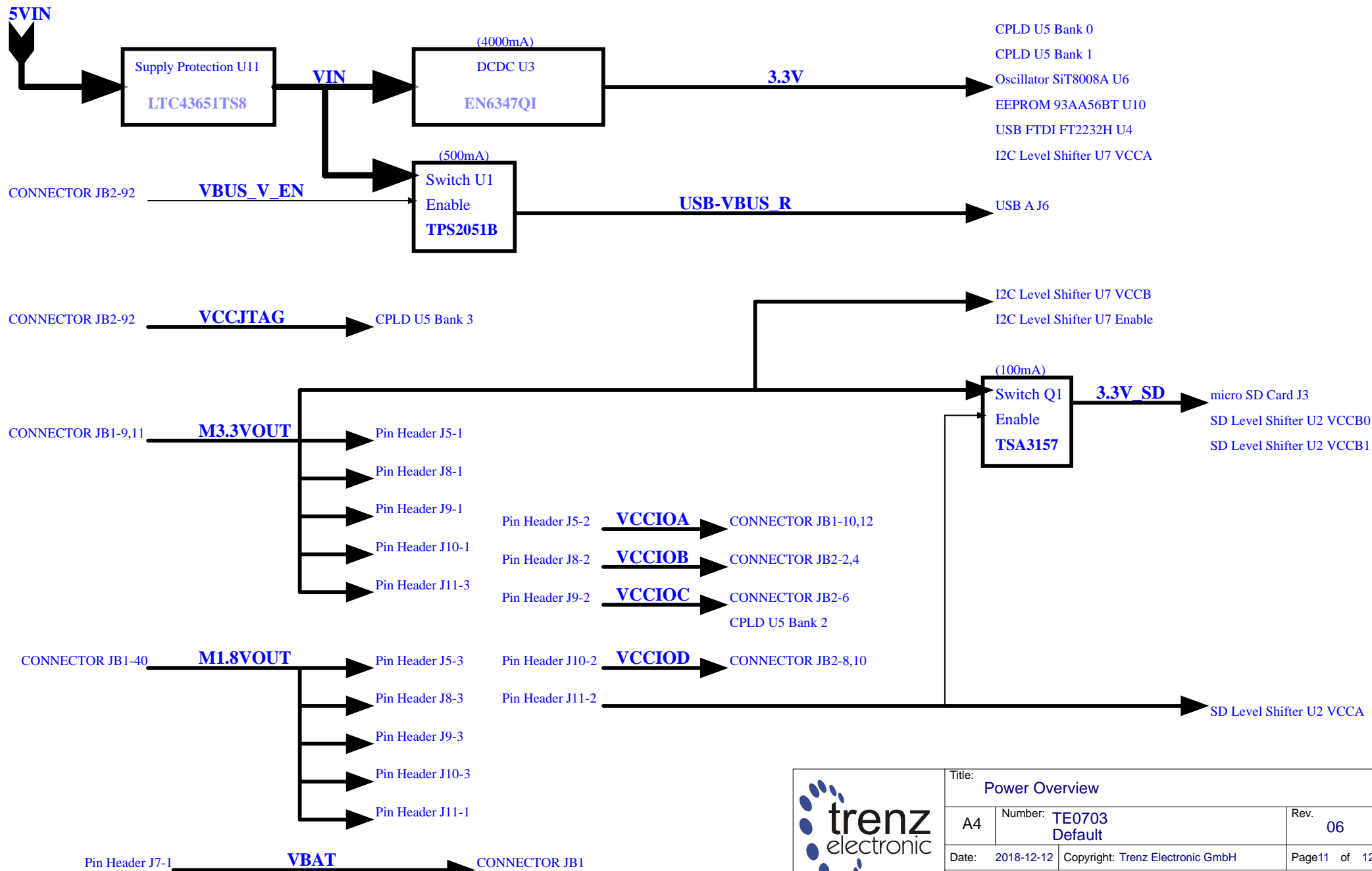
D



Title: USB-JTAG		
A4	Number: TE0703 Default	Rev. 06
Date: 2018-12-12	Copyright: Trenz Electronic GmbH	Page9 of 12
Filename: FTDI.SchDoc		



	Title: USB		
	A4	Number: TE0703 Default	Rev. 06
	Date: 2018-12-12	Copyright: Trenz Electronic GmbH	Page 10 of 12
	Filename: USB.SchDoc		



Title: Power Overview		
A4	Number: TE0703 Default	Rev. 06
Date: 2018-12-12	Copyright: Trenz Electronic GmbH	Page 11 of 12
Filename: Power_Overview.SchDoc		

CHANGES REV04 to REV05

- 1) J5 changed to 3 pin jumper to select 3.3V or 1.8V, added 3pin jumpers for each bank
- 2) PWR connector type changed THT->SMD
- 3) changed FT2232 different IC package (56pins)
- 4) changed micro SD-card slot
- 5) changed micro-USB
- 6) added series resistors 10K to FLED0,FLED1 and connect to CPLD
- 7) added serial number (traceability pad)


23.11.2017:
 8) U8 MP5010ADQ-LF-Z replaced to MP5010BDQ-LF-Z

CHANGES REV05 to REV06

- 1) microSD card connector (J3) changed to industrial
- 2) changed PB (S1) to industrial
- 3) replaced input power protection
- 4) added jumper (J11) to select SD level shifter voltage on FPGA side
- 5) added power switch for SD level shifter supply voltages to ensure power sequencing of level shifter
- 6) replaced R5 and VBUS capacitors, add 00hm resistors to OTG-ID
- 7) replaced jumpers by SMD versions, moved VBAT to other position
- 8) routing length of diff pairs B34_L17, B34_L15, B34_L21, B34_L13, B34_L10, B34_L20 changed

2019-08-29
 9) Replaced R31 by 953K and R35 by 147K

2022-05-04
 10) Set S/N Track-it pad not fitted

	Title: TE0703 - Changes list		
	A4	Number: TE0703 Default	Rev. 06
	Date: 2018-12-12	Copyright: Trenz Electronic GmbH	Page 12 of 12
	Filename: Revision_Changes.SchDoc		