

U\_FPGA\_B2B\_Connectors  
FPGA\_B2B\_Connectors.SchDoc

PMODs  
PMODs.SchDoc

U\_ARM\_JTAG  
ARM\_JTAG.SchDoc

U\_EXTCON  
EXTCON.SchDoc

Ethernet  
Ethernet.SchDoc

FTDI  
FTDI.SchDoc

U\_POWER\_5V0  
POWER\_5V0.SchDoc

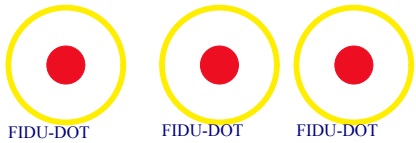
U\_POWER\_3V3  
POWER\_3V3.SchDoc

LED\_SW\_BUT  
LED\_SW\_BUT.SchDoc

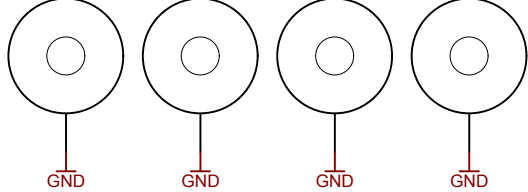
SDCard  
SDCard.SchDoc

U\_CPLD  
CPLD.SchDoc

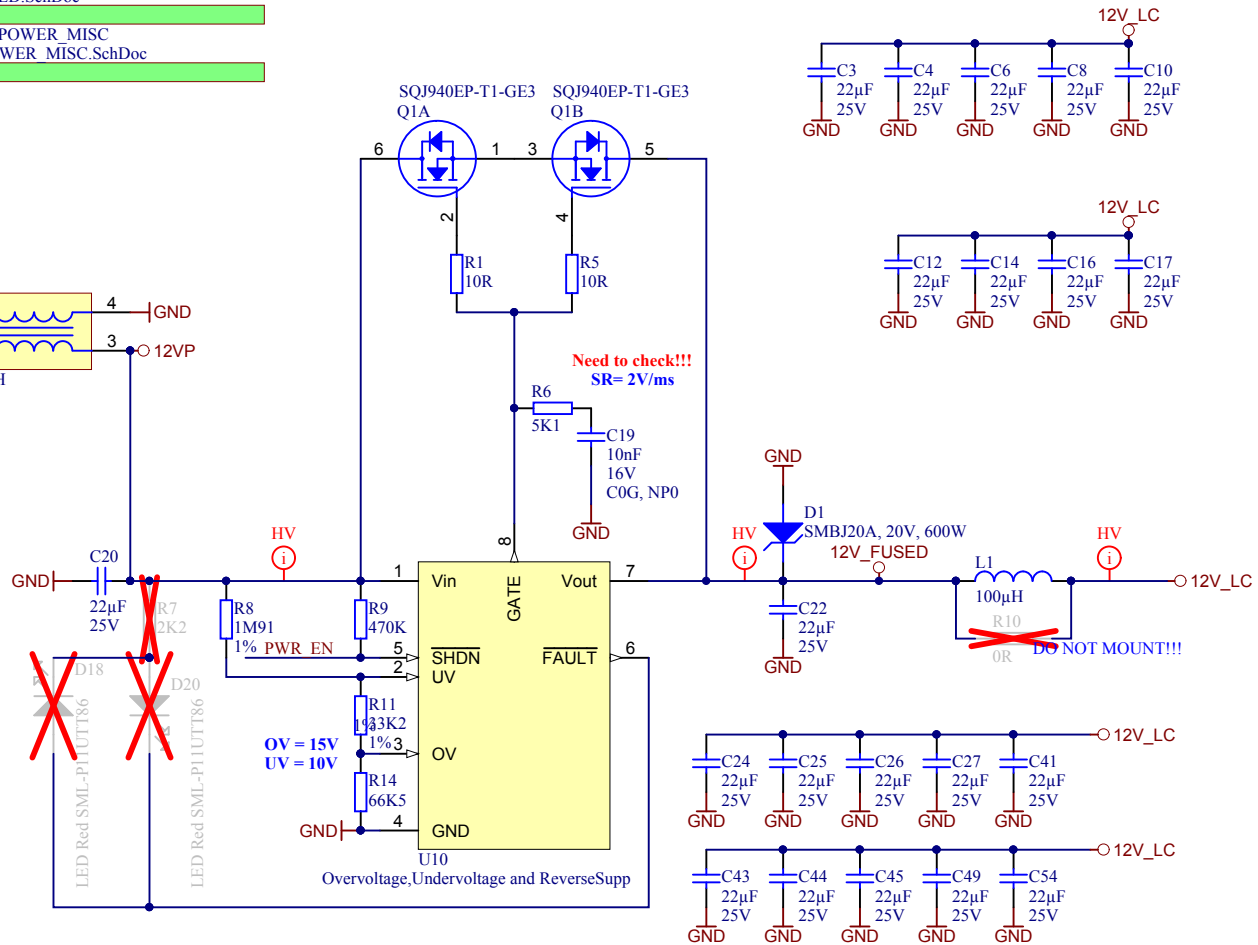
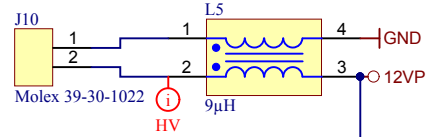
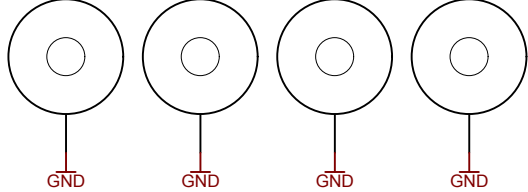
U\_POWER\_MISC  
POWER\_MISC.SchDoc



Mount.Hole 3.2mm Mount.Hole 3.2mm Mount.Hole 3.2mm Mount.Hole 3.2mm



Mount.Hole 3.2mm Mount.Hole 3.2mm Mount.Hole 3.2mm Mount.Hole 3.2mm



		Title: TE0705 - Main	
		A4	Number: TE0705 TE0705 Standard
Date: 2013-5-7	Copyright: Trenz Electronic GmbH	Rev. 03	
Filename: TE0705.SchDoc		Page 1 of 16	

1

2

3

4

A

A

B

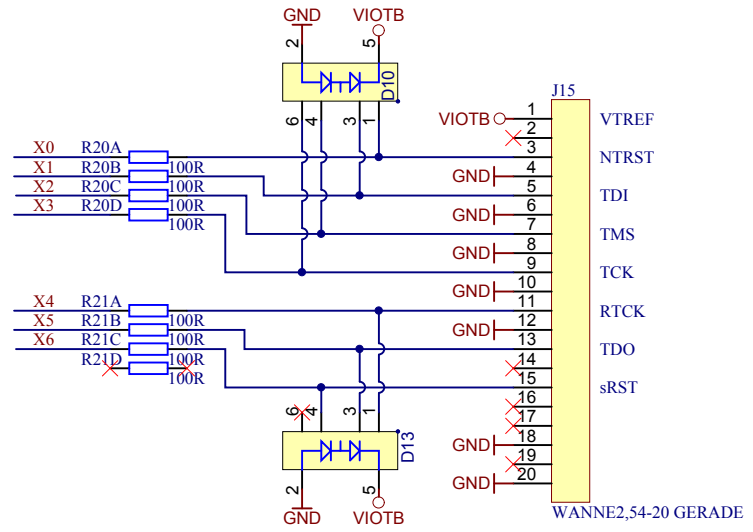
B


C

C

D

D



		Title: TE0705 - ARM JTAG	
		A4	Number: TE0705 TE0705 Standard
Date: 2013-5-7		Copyright: Trenz Electronic GmbH	
Filename: ARM_JTAG.SchDoc		Page2 of 16	

1

2

3

4

A

B

C

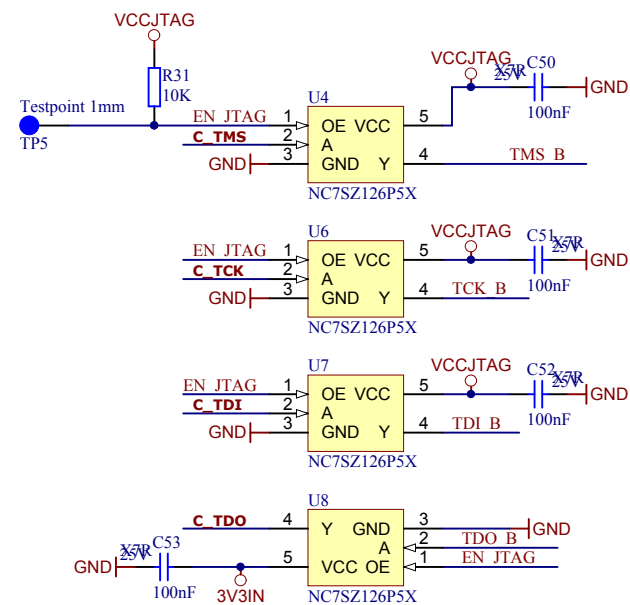
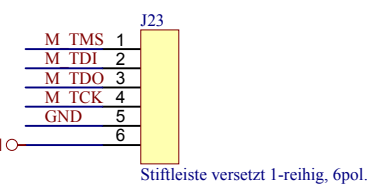
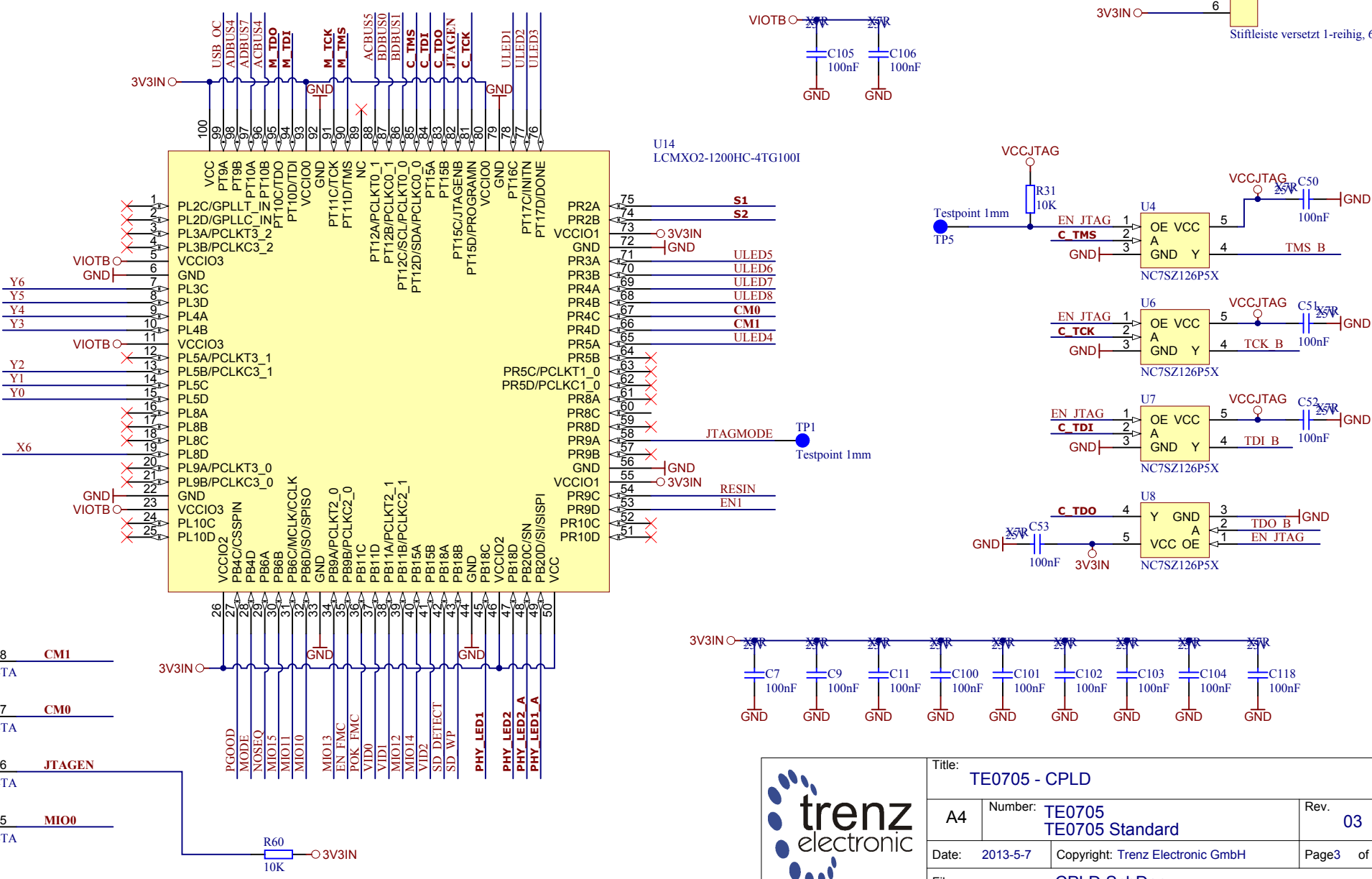
D

A

B

C

D



Title: <b>TE0705 - CPLD</b>		
A4	Number: <b>TE0705 TE0705 Standard</b>	Rev. <b>03</b>
Date: 2013-5-7	Copyright: Trenz Electronic GmbH	Page3 of 16
Filename: <b>CPLD.SchDoc</b>		

1

2

3

4

A

A

B

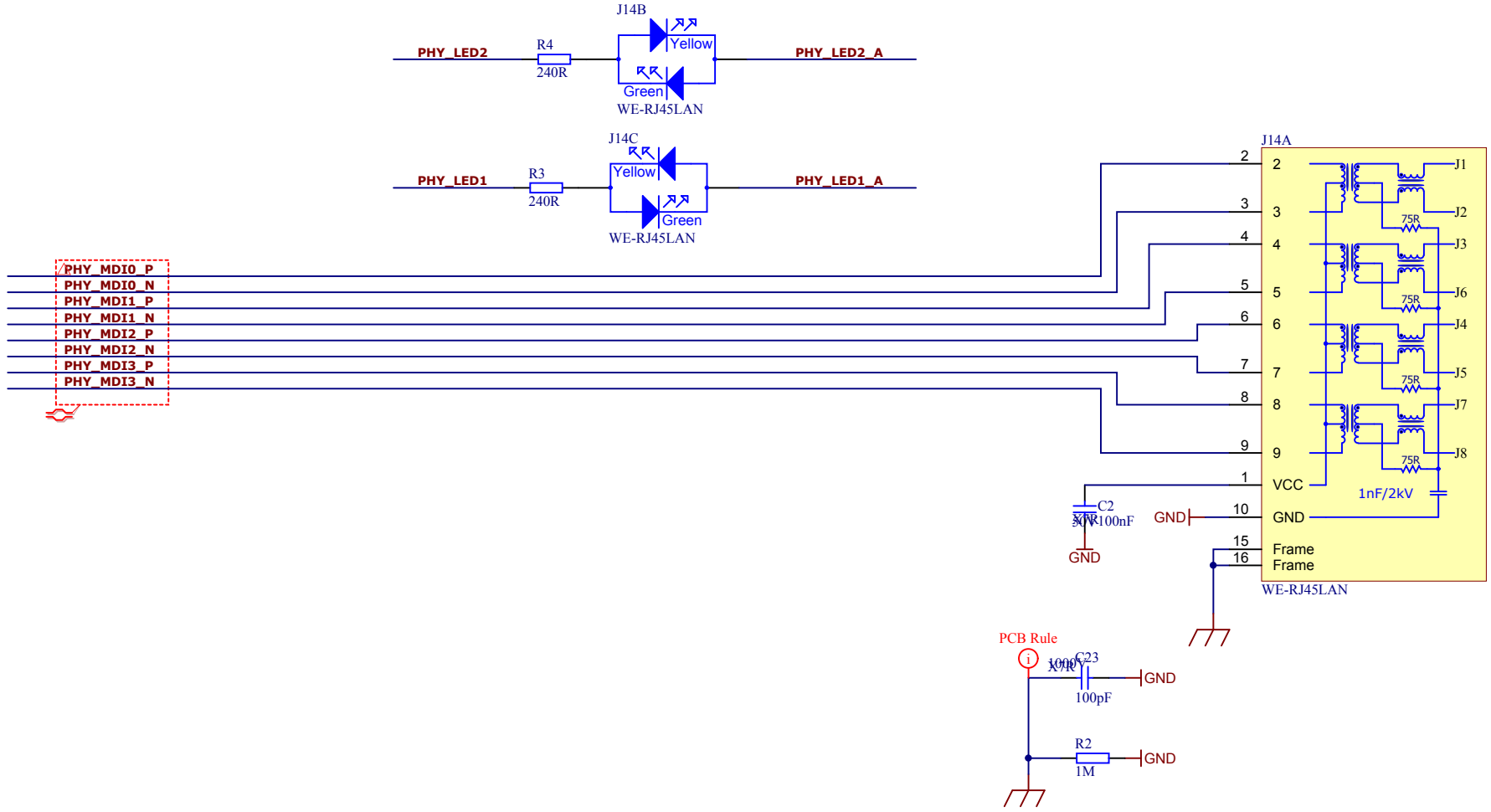
B

C

C

D

D



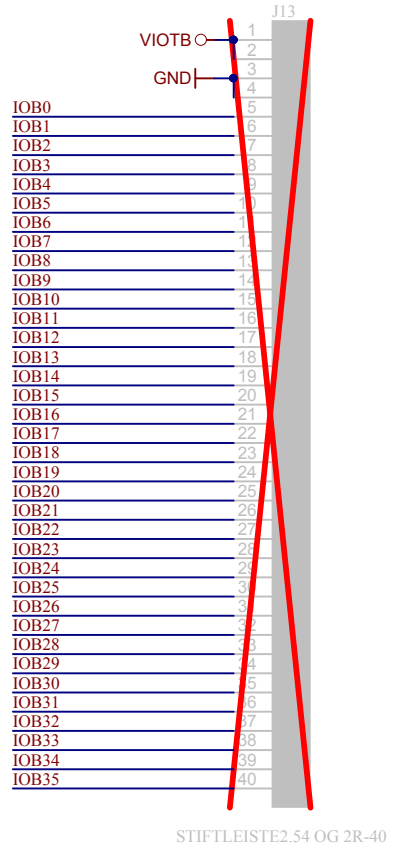
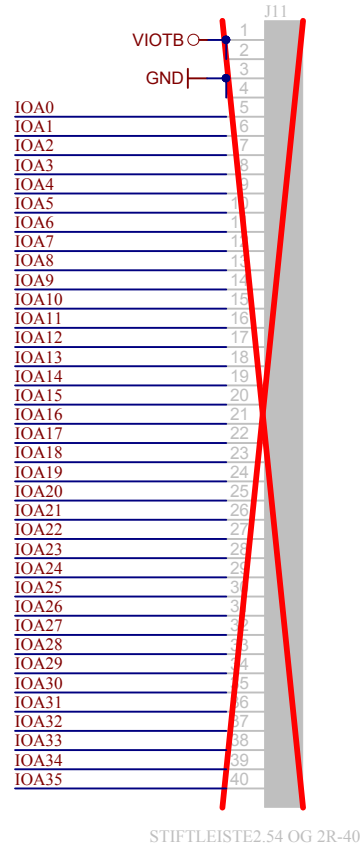
Title: TE0705 - Ethernet		
A4	Nummer: TE0705 TE0705 Standard	Rev. 03
Datum: 2013-5-7	Zeichner: Trenz Electronic GmbH	Blatt 4 von 16
Filename: Ethernet.SchDoc		


1

2

3

4



	Title: <b>TE0705 - EXTCONN</b>		
	A4	Number: <b>TE0705 TE0705 Standard</b>	Rev. <b>03</b>
	Date: <b>2013-5-7</b>	Copyright: <b>Trenz Electronic GmbH</b>	Page <b>5</b> of <b>16</b>
	Filename: <b>EXTCON.SchDoc</b>		

1

2

3

4

A

A

B

B

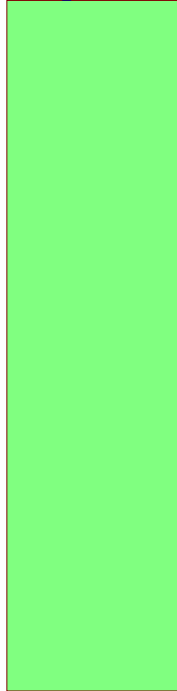
C

C

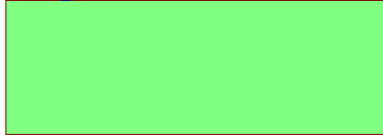
D

D

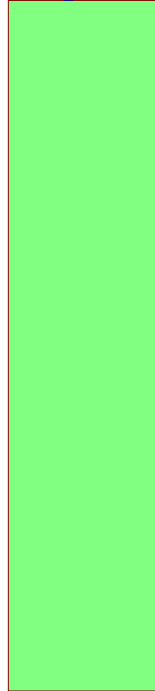
U\_TE0720\_JB1  
TE0720\_JB1.SchDoc



U\_TE0720\_JB3  
TE0720\_JB3.SchDoc



U\_TE0720\_JB2  
TE0720\_JB2.SchDoc



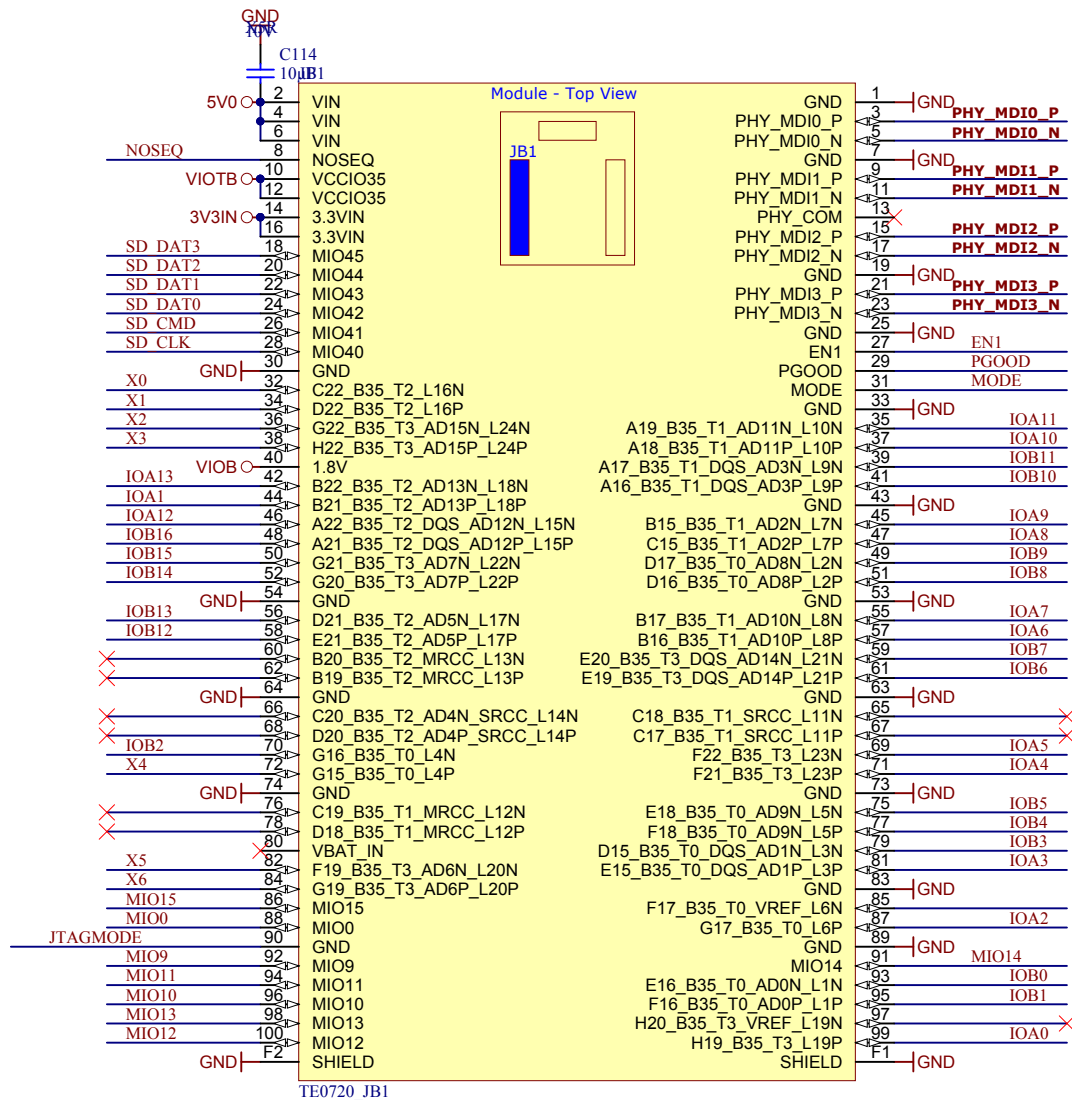
Title: <b>TE0705 - FPGA B2B Connectors</b>		
A4	Number: <b>TE0705 TE0705 Standard</b>	Rev. <b>03</b>
Date: <b>2013-5-7</b>	Copyright: <b>Trenz Electronic GmbH</b>	Page <b>6</b> of <b>16</b>
Filename: <b>FPGA_B2B_Connectors.SchDoc</b>		

1

2

3

4



Title: TE0705 - FPGA B2B Connectors		
A4	Number: TE0705 TE0705 Standard	Rev. 03
Date: 2013-5-7	Copyright: Trenz Electronic GmbH	Page7 of 16
Filename: TE0720_JB1.SchDoc		

A

A

B

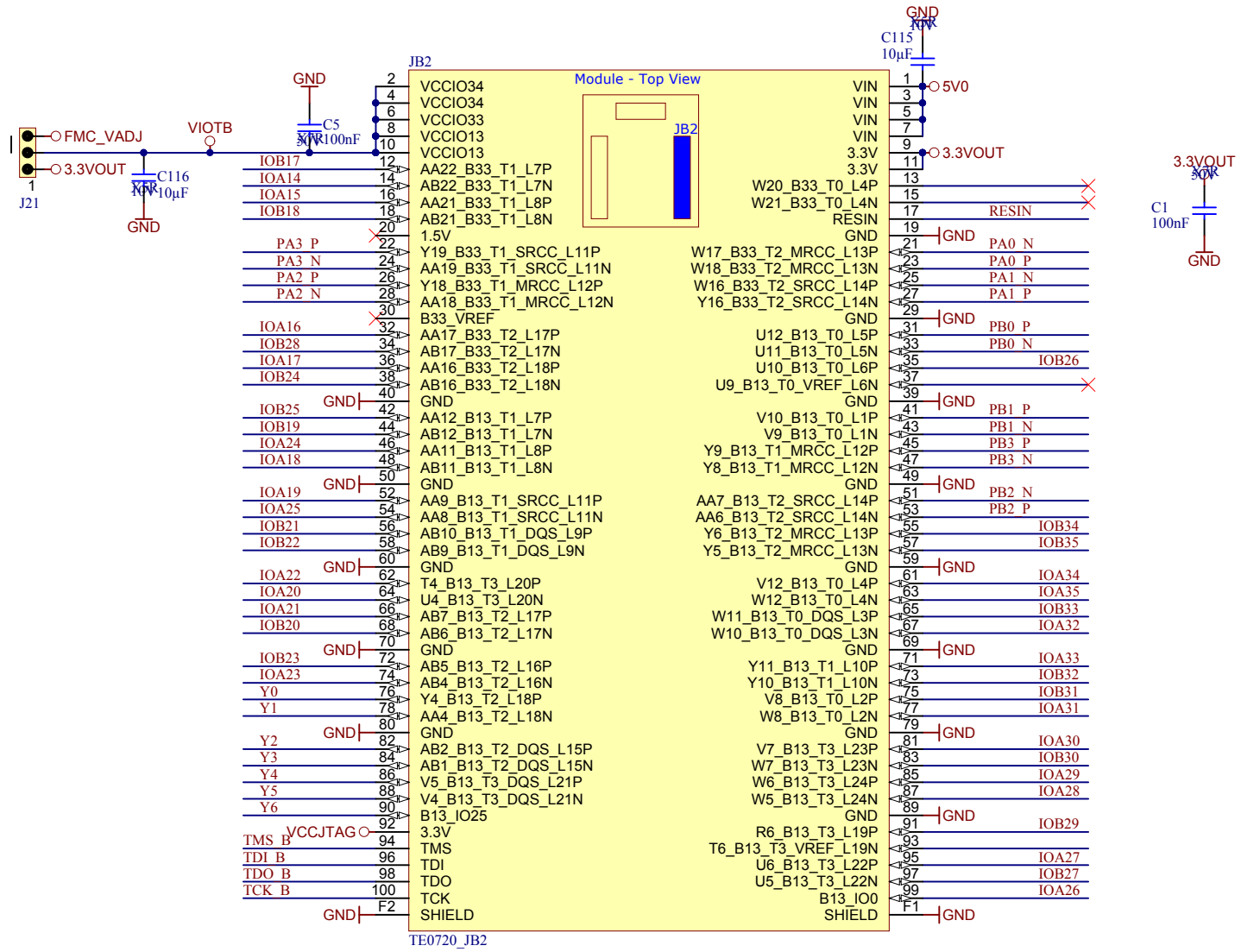
B

C

C

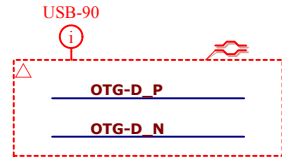
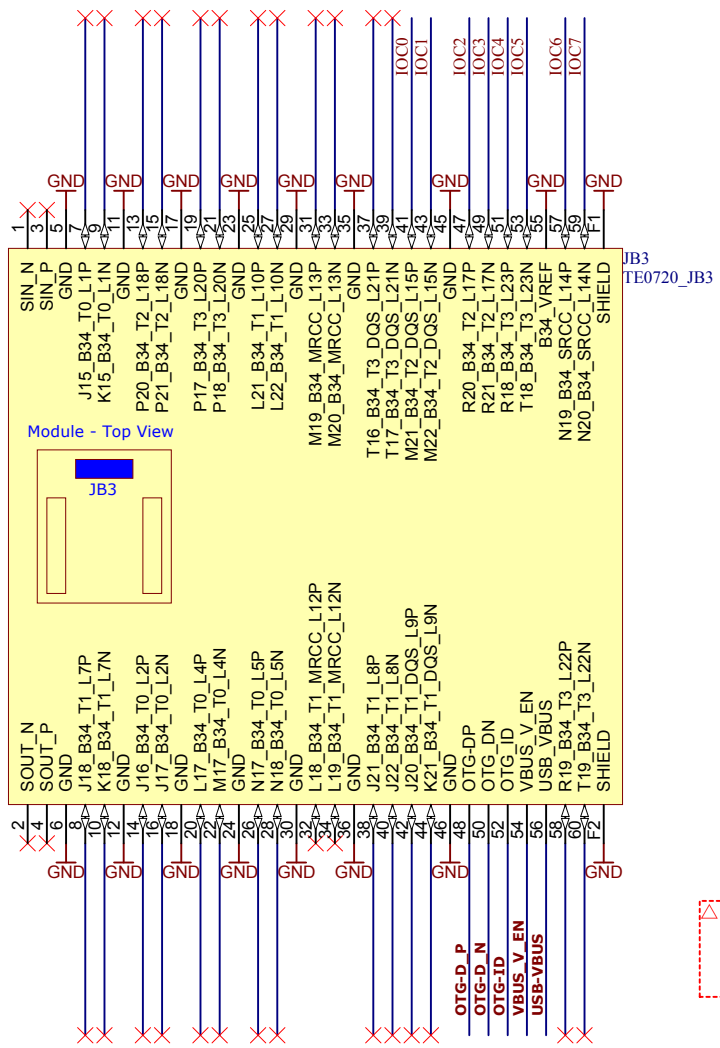
D

D



Title: TE0705 - FPGA B2B Connectors		
A4	Number: TE0705 TE0705 Standard	Rev. 03
Date: 2013-5-7	Copyright: Trenz Electronic GmbH	Page8 of 16
Filename: TE0720_JB2.SchDoc		





	Title: TE0705 - FPGA B2B Connectors		
	A4	Number: TE0705 TE0705 Standard	Rev. 03
	Date: 2013-5-7	Copyright: Trenz Electronic GmbH	Page9 of 16
	Filename: TE0720_JB3.SchDoc		

A

A

B

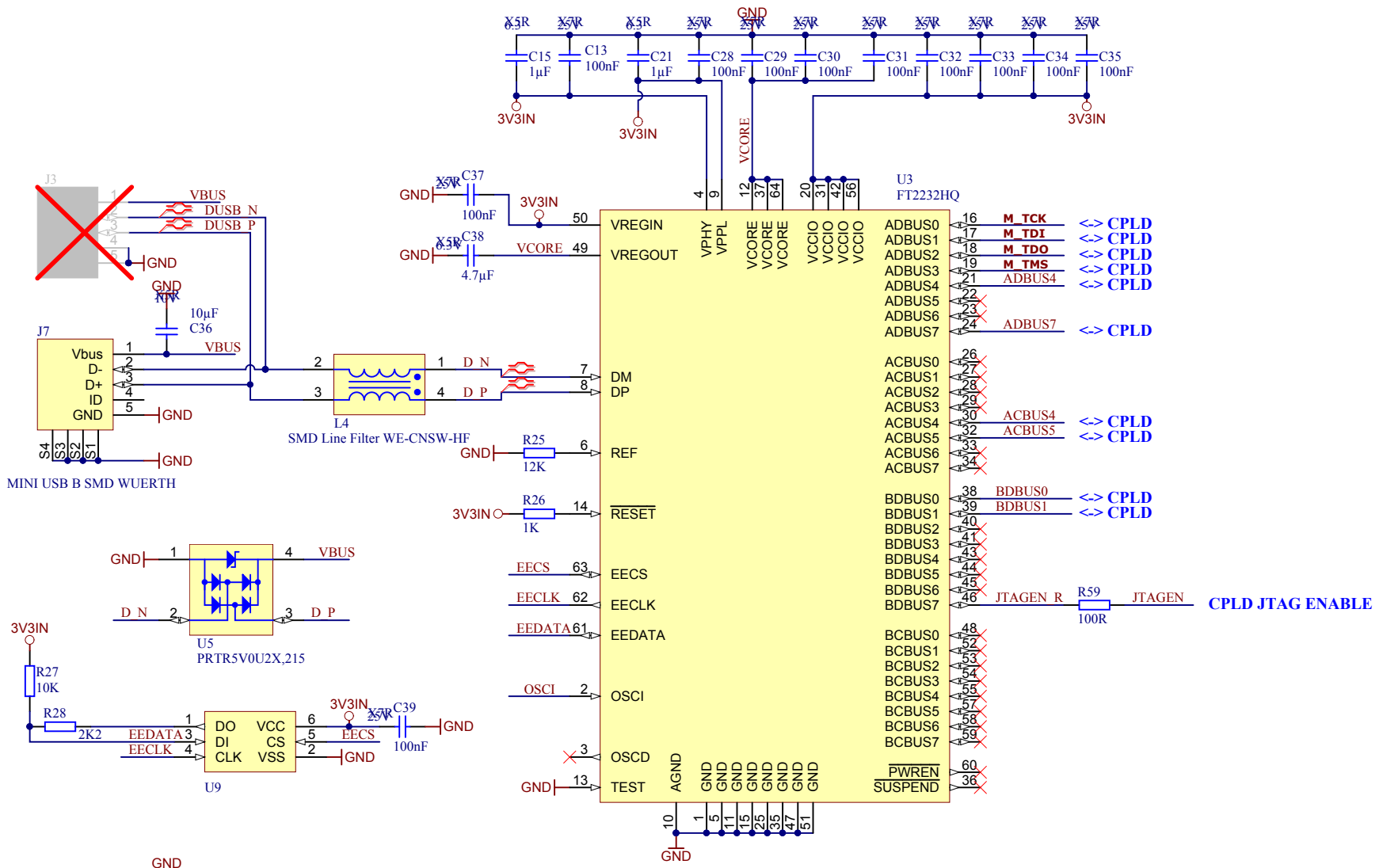
B


C

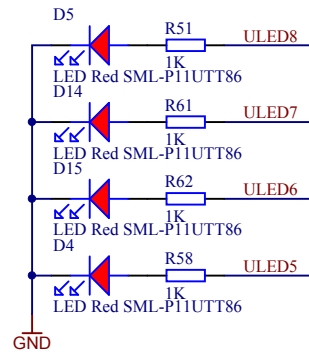
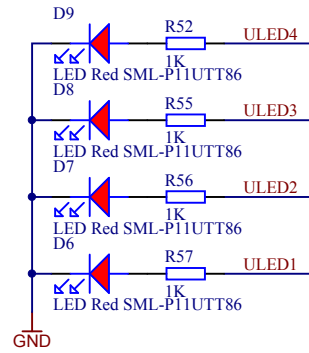
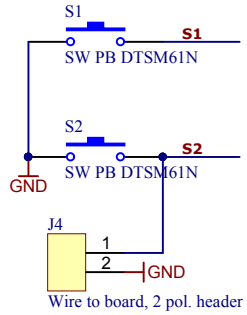
C

D

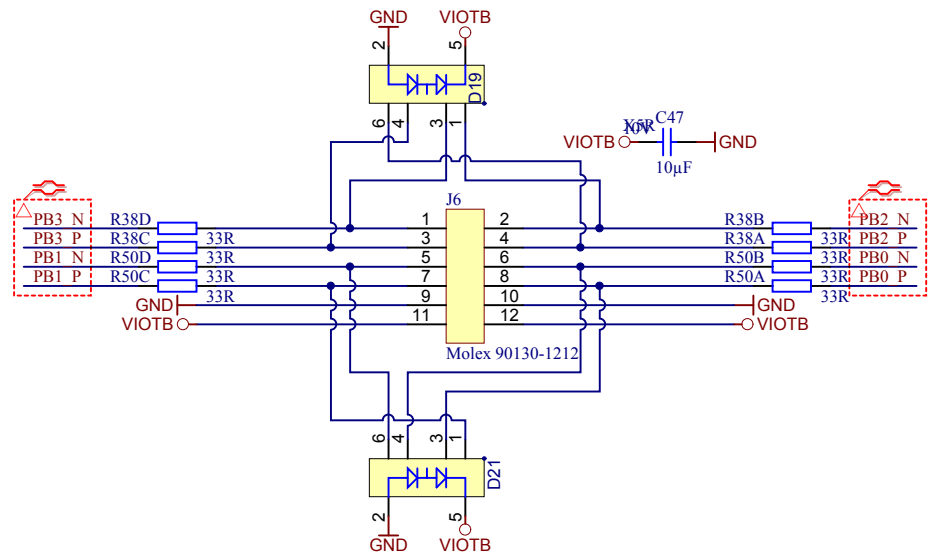
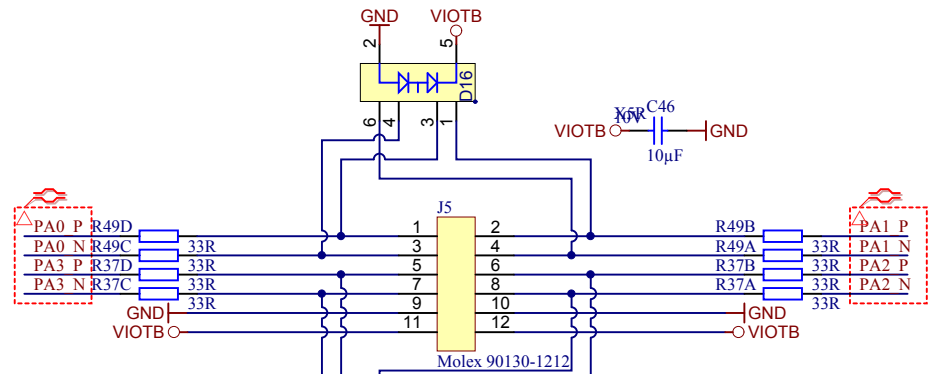
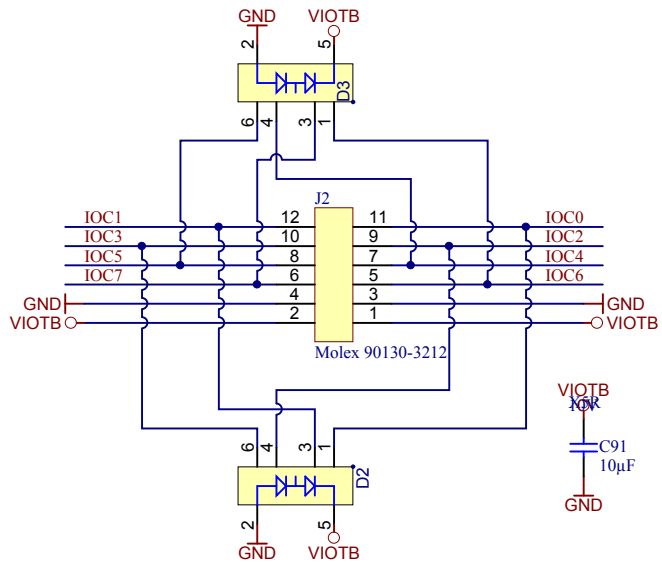
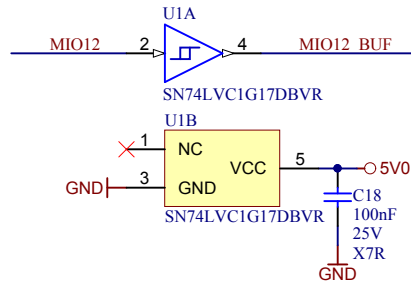
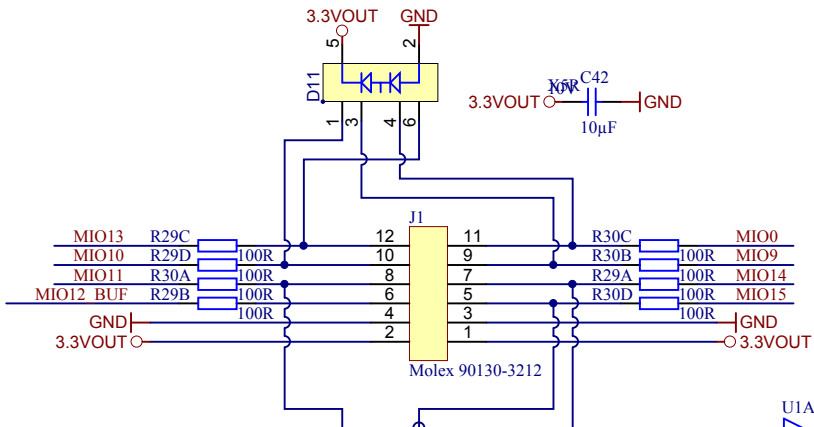
D



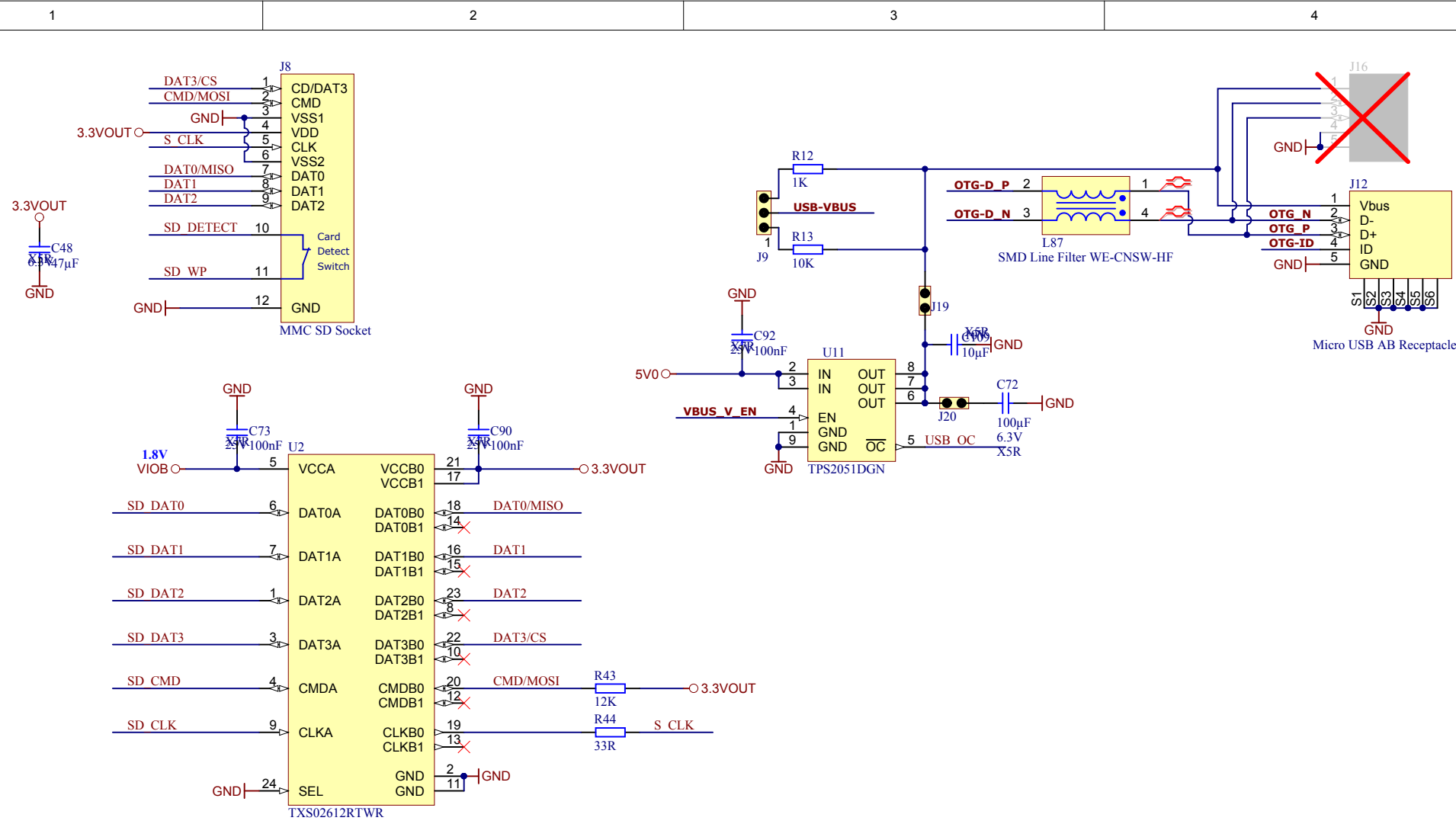
			Title: TE0705 - FTDI USB	
			A4	Number: TE0705 TE0705 Standard
Date: 2013-5-7		Copyright: Trenz Electronic GmbH		Page 10 of 16
Filename: FTDI.SchDoc				




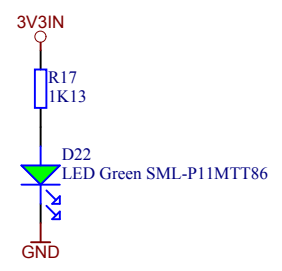
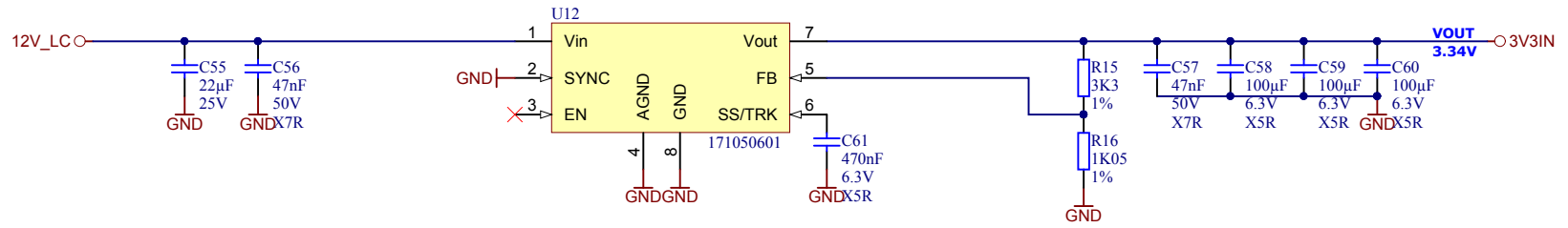
	Title: <b>TE0705 - LEDS &amp; SWS &amp; BUTTONS</b>		
	A4	Number: <b>TE0705 TE0705 Standard</b>	Rev. <b>03</b>
	Date: <b>2013-5-7</b>	Copyright: <b>Trenz Electronic GmbH</b>	Page <b>11</b> of <b>16</b>
	Filename: <b>LED_SW_BUT.SchDoc</b>		




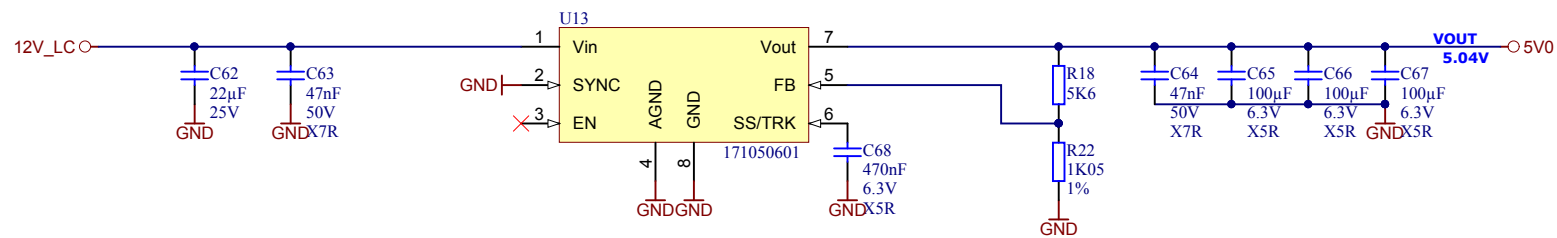
Title: TE0705 - PMODS		
A4	Number: TE0705 TE0705 Standard	Rev. 03
Date: 2013-5-7	Copyright: Trenz Electronic GmbH	Page 12 of 16
Filename: PMODs.SchDoc		




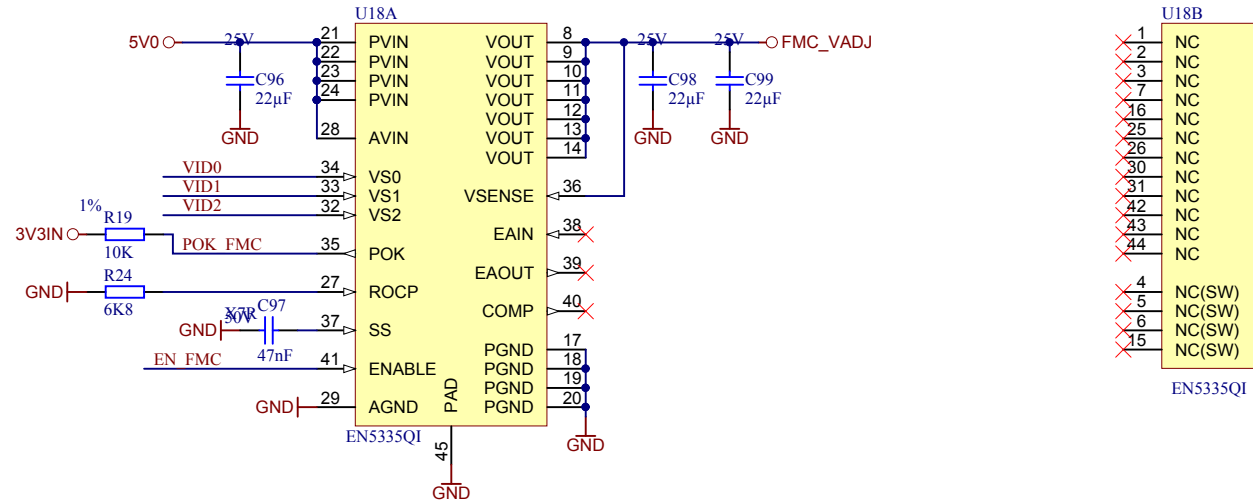
		Title: TE0705 - SD Card	
		A4	Number: TE0705 TE0705 Standard
Date: 2013-5-7		Copyright: Trenz Electronic GmbH	
Filename: SDCard.SchDoc		Page 13 of 16	




		Title: TE0705 - 3.3V POWER	
		A4	Number: TE0705 TE0705 Standard
Date: 2013-5-7		Copyright: Trenz Electronic GmbH	
Filename: POWER_3V3.SchDoc		Page 14 of 16	



	Title: TE0705 - 5V POWER		
	A4	Number: TE0705 TE0705 Standard	Rev. 03
	Date: 2013-5-7	Copyright: Trenz Electronic GmbH	Page 15 of 16
	Filename: POWER_5V0.SchDoc		



		Title: TE0705 - MISC POWER	
		A4	Number: TE0705 TE0705 Standard
Date: 2013-5-7		Copyright: Trenz Electronic GmbH	
Filename: POWER_MISC.SchDoc		Page 16 of 16	