

1

2

3

4

U\_B2B\_Connectors  
B2B\_Connectors.SchDoc



Ethernet  
Ethernet.SchDoc



U\_LED\_SW\_BUT  
LED\_SW\_BUT.SchDoc



U\_POWER  
POWER.SchDoc



U\_VG\_CONN  
VG\_CONN.SchDoc



U\_USB  
USB.SchDoc



SDCard  
SDCard.SchDoc



U\_ETH-PHY  
ETH-PHY.SchDoc



PM1



PM2



PM3



PM4

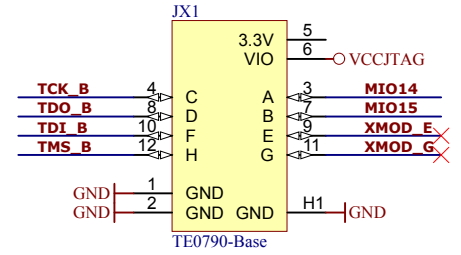


PM5

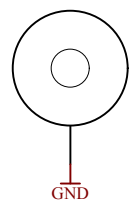


PM6

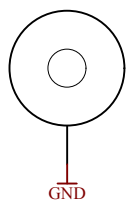
XMOD-FT2232H header: JTAG and UART



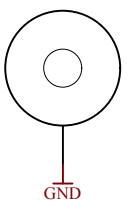
Mount.Hole 3.2mm Mount.Hole 3.2mm Mount.Hole 3.2mm Mount.Hole 3.2mm



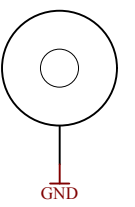
GND



GND



GND



GND

LOGO1

TE Logo PRINT Layer

LOGO PRINT



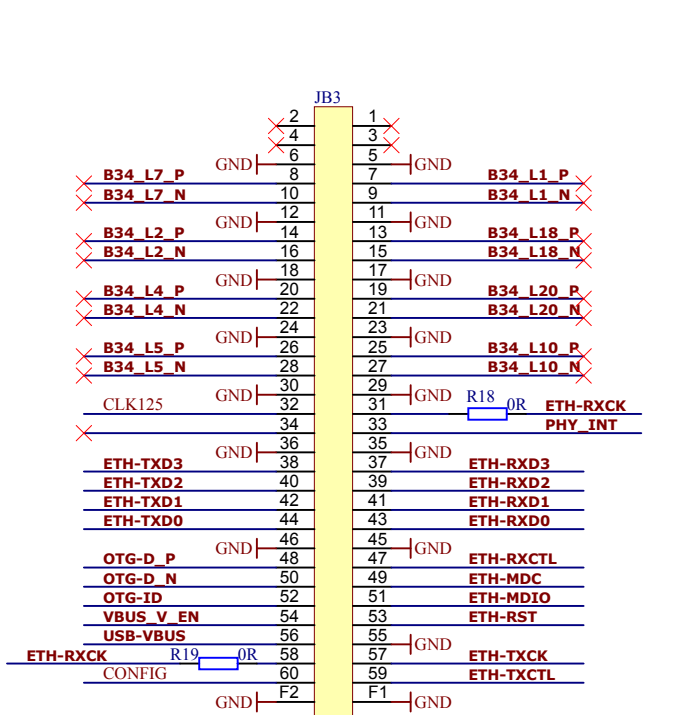
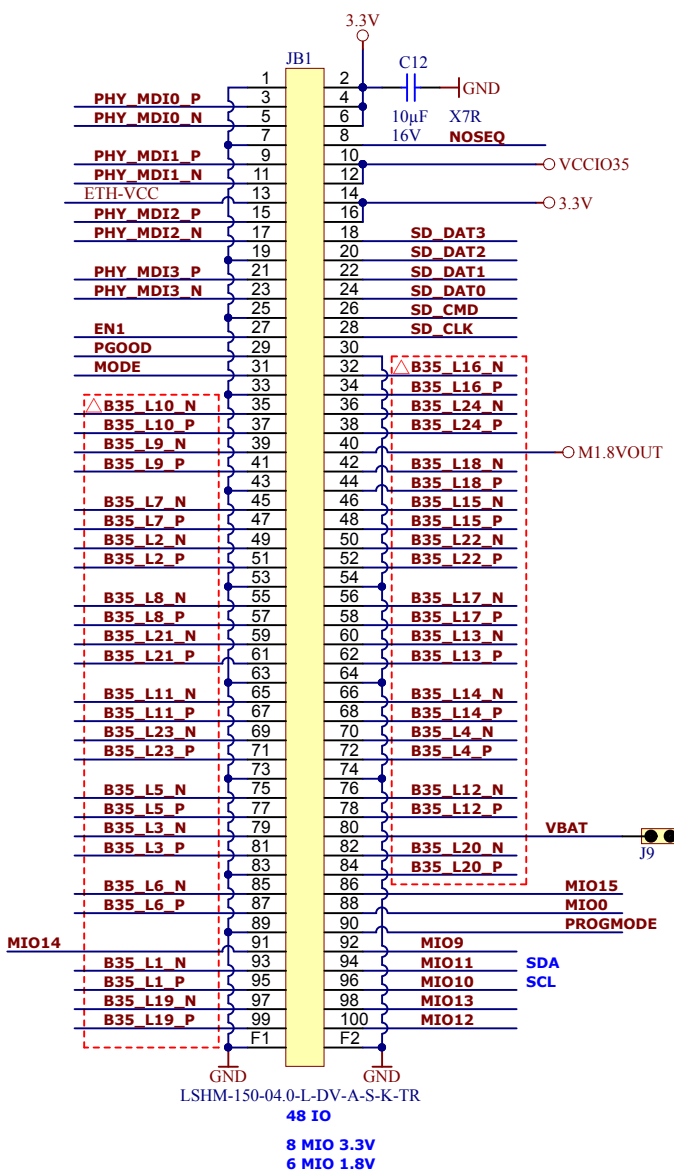
Title: Overview		
A4	Number: TE0706 TE0706	Rev. 01
Date: 7/6/2015	Copyright: Trenz Electronic GmbH	Page1 of 9
Filename: TE0706.SchDoc		

1

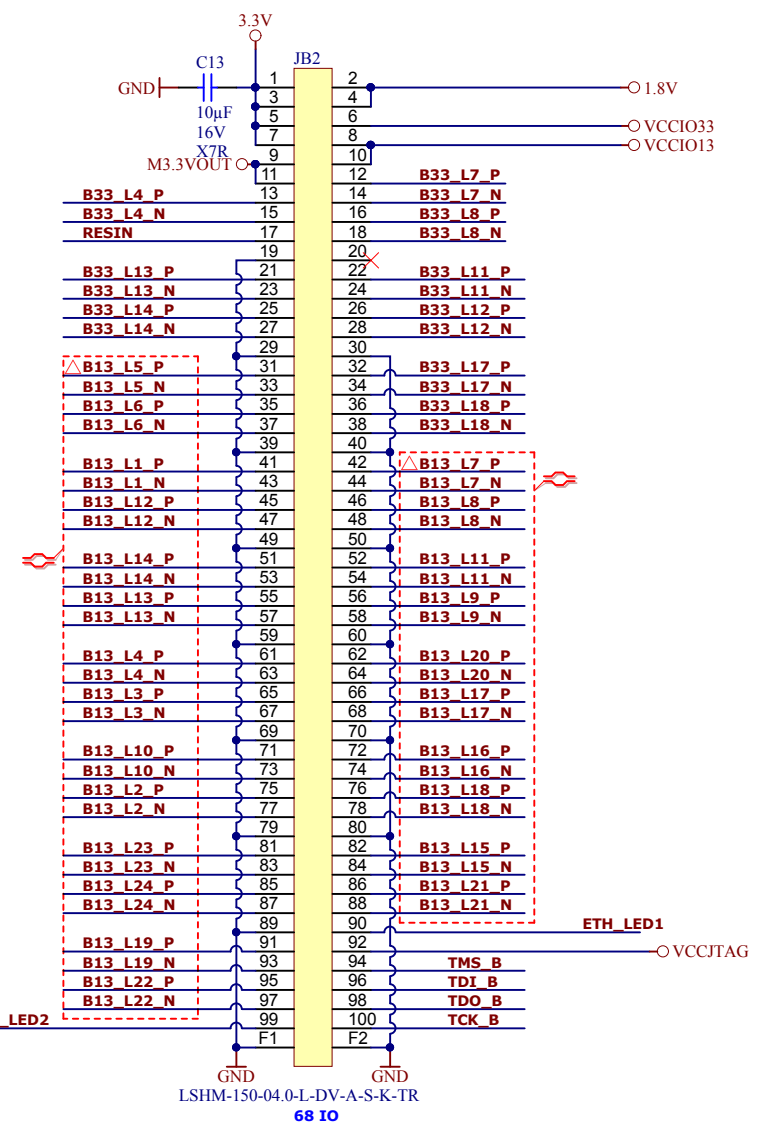
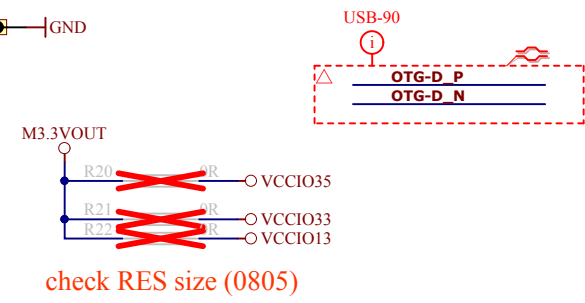
2

3

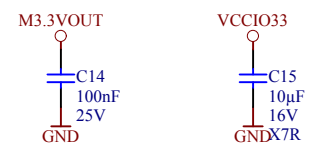
4



LSHM-130-04.0-L-DV-A-S-K-TR  
B34 -> 1.8V 34 IO

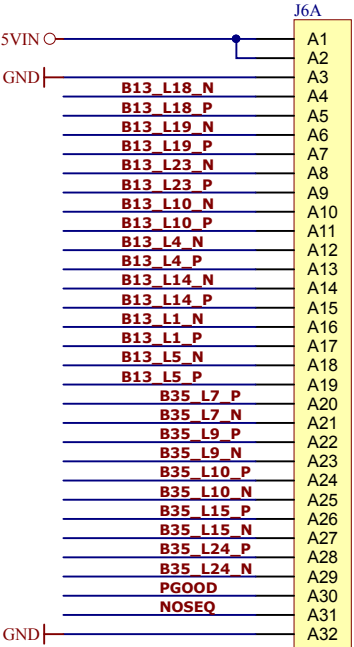
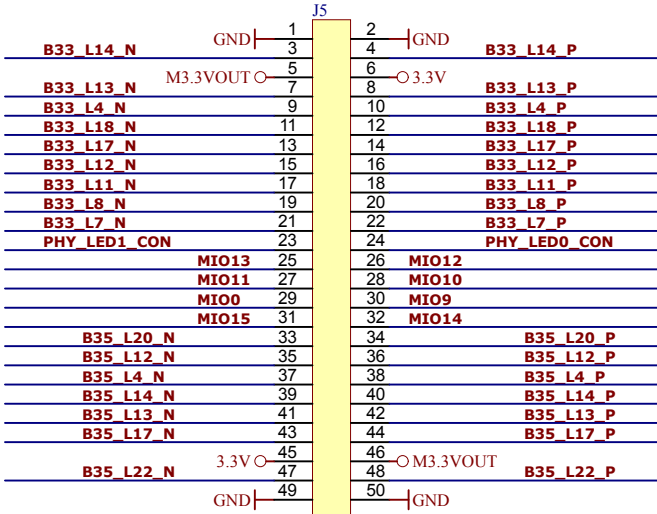


LSHM-150-04.0-L-DV-A-S-K-TR  
68 IO

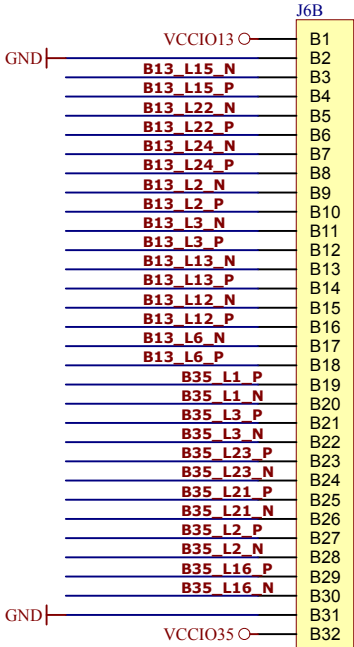


Title: B2B Connector		
A4	Number: TE0706 TE0706	Rev. 01
Date: 7/6/2015	Copyright: Trenz Electronic GmbH	Page2 of 9
Filename: B2B_Connectors.SchDoc		

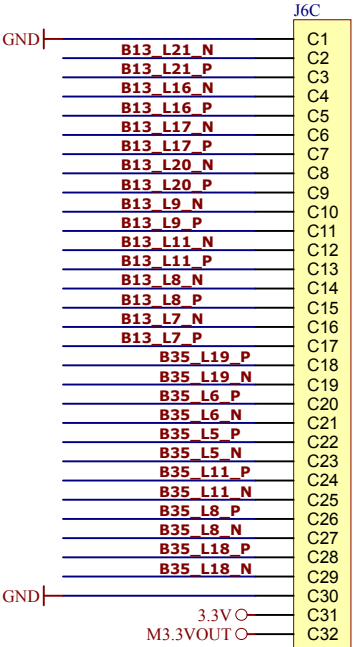
MAY CHANGE PINOUT, not final!



VG96 Buchsenleiste Vertikal



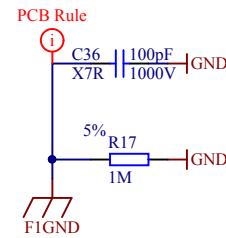
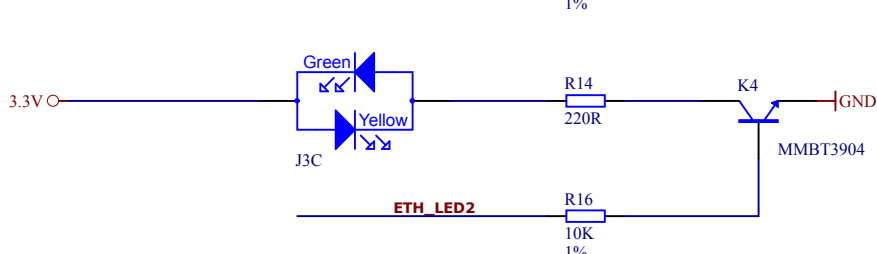
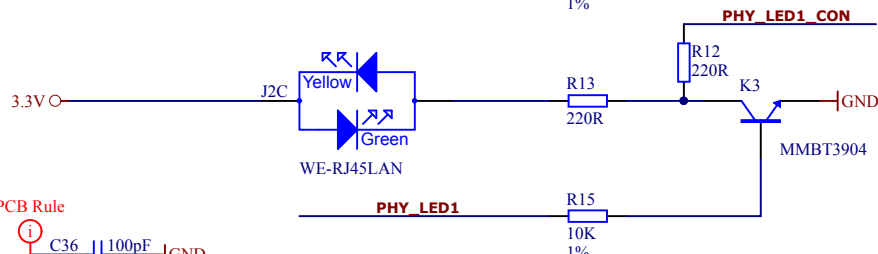
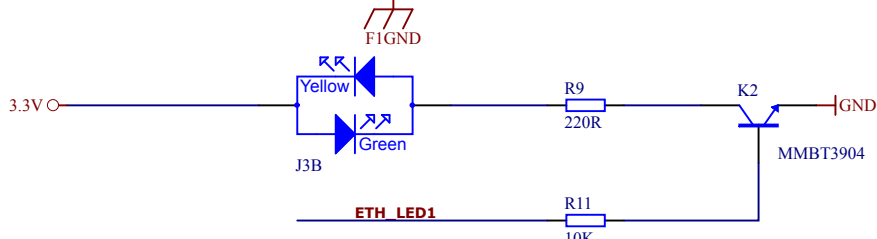
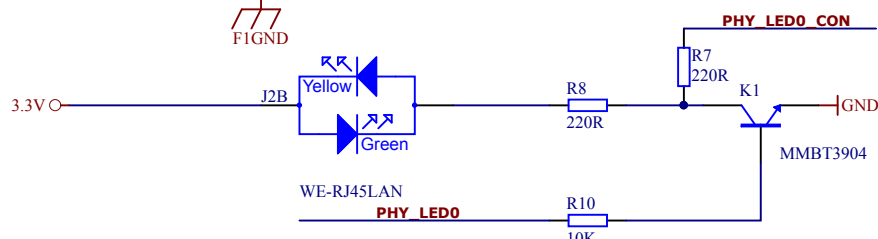
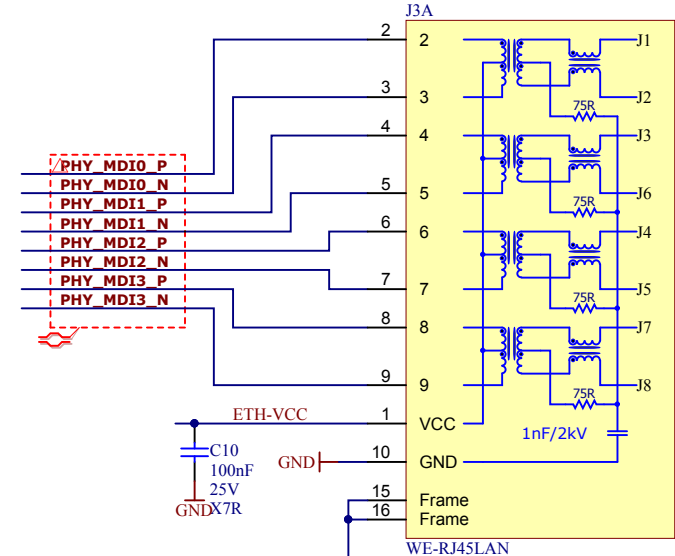
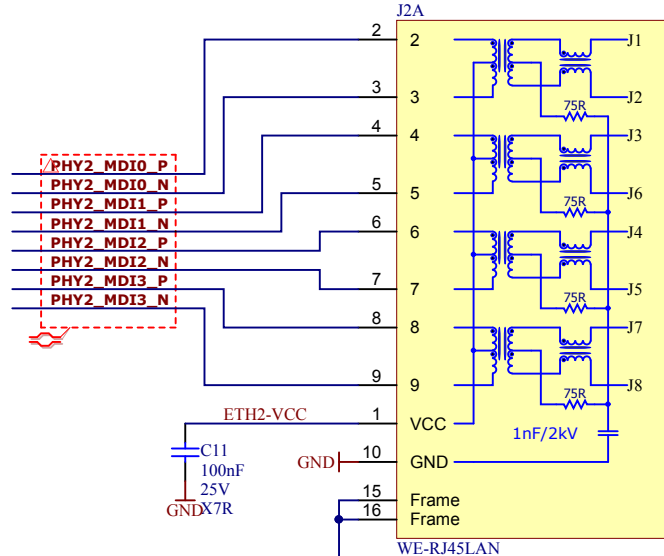
VG96 Buchsenleiste Vertikal



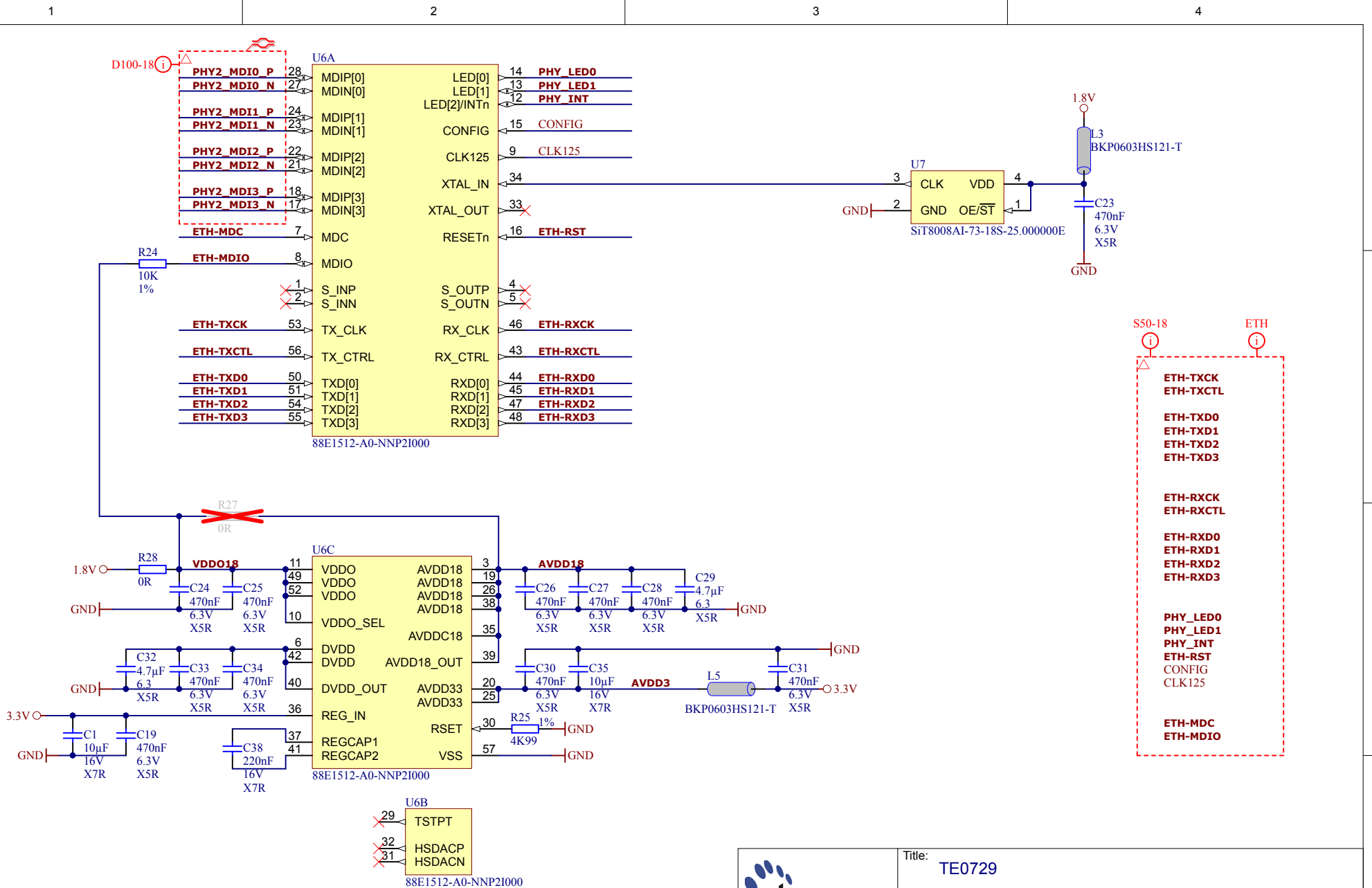
VG96 Buchsenleiste Vertikal



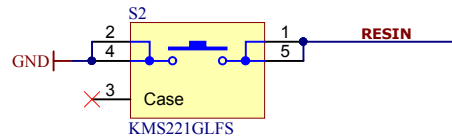
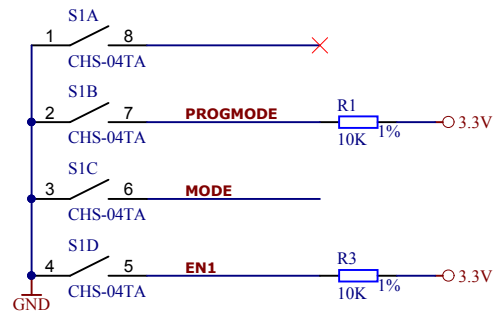
Title: External Connector		
A4	Number: TE0706 TE0706	Rev. 01
Date: 7/6/2015	Copyright: Trenz Electronic GmbH	Page3 of 9
Filename: VG_CONN.SchDoc		




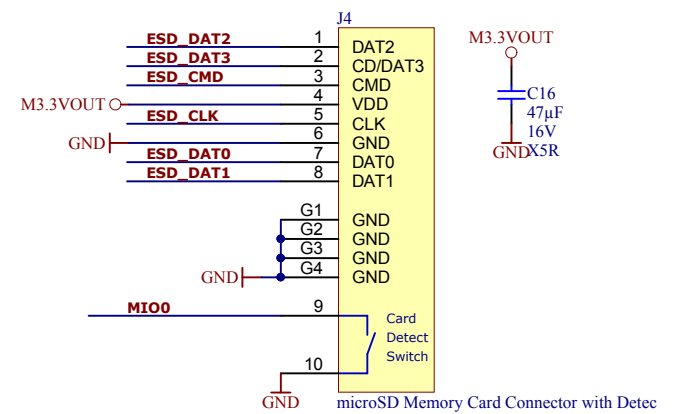
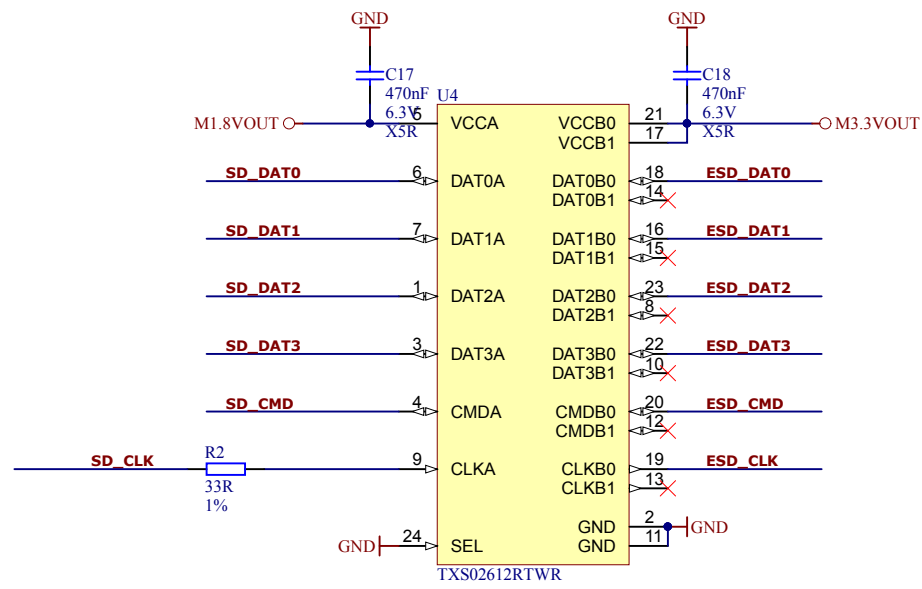
Title: Ethernet		
A4	Number: TE0706 TE0706	Rev. 01
Datum: 7/6/2015	Zeichner: Trenz Electronic GmbH	Blatt 4 von 9
Filename: Ethernet.SchDoc		




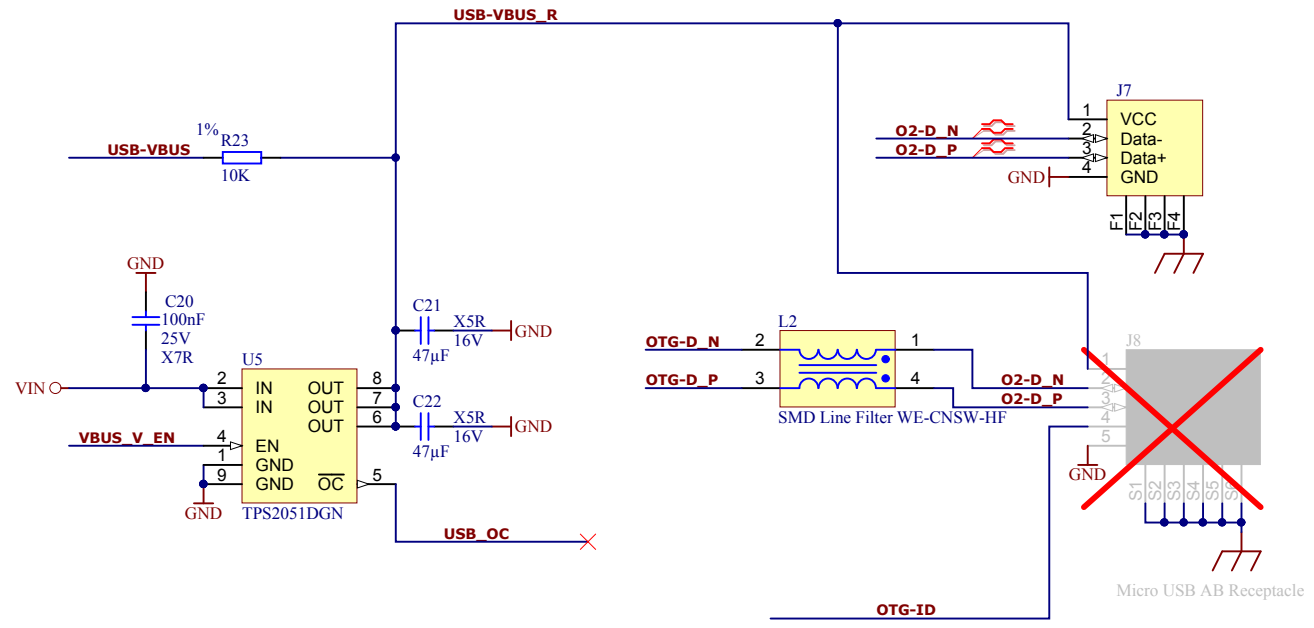
Title: TE0729		
A4	Number: TE0706 TE0706	Rev. 01
Date: 7/6/2015	Copyright: Trenz Electronic GmbH	Page5 of 9
Filename: ETH-PHY.SchDoc		



	Title: LED-Switch		
	A4	Number: TE0706 TE0706	Rev. 01
	Date: 7/6/2015	Copyright: Trenz Electronic GmbH	Page 6 of 9
	Filename: LED_SW_BUT.SchDoc		

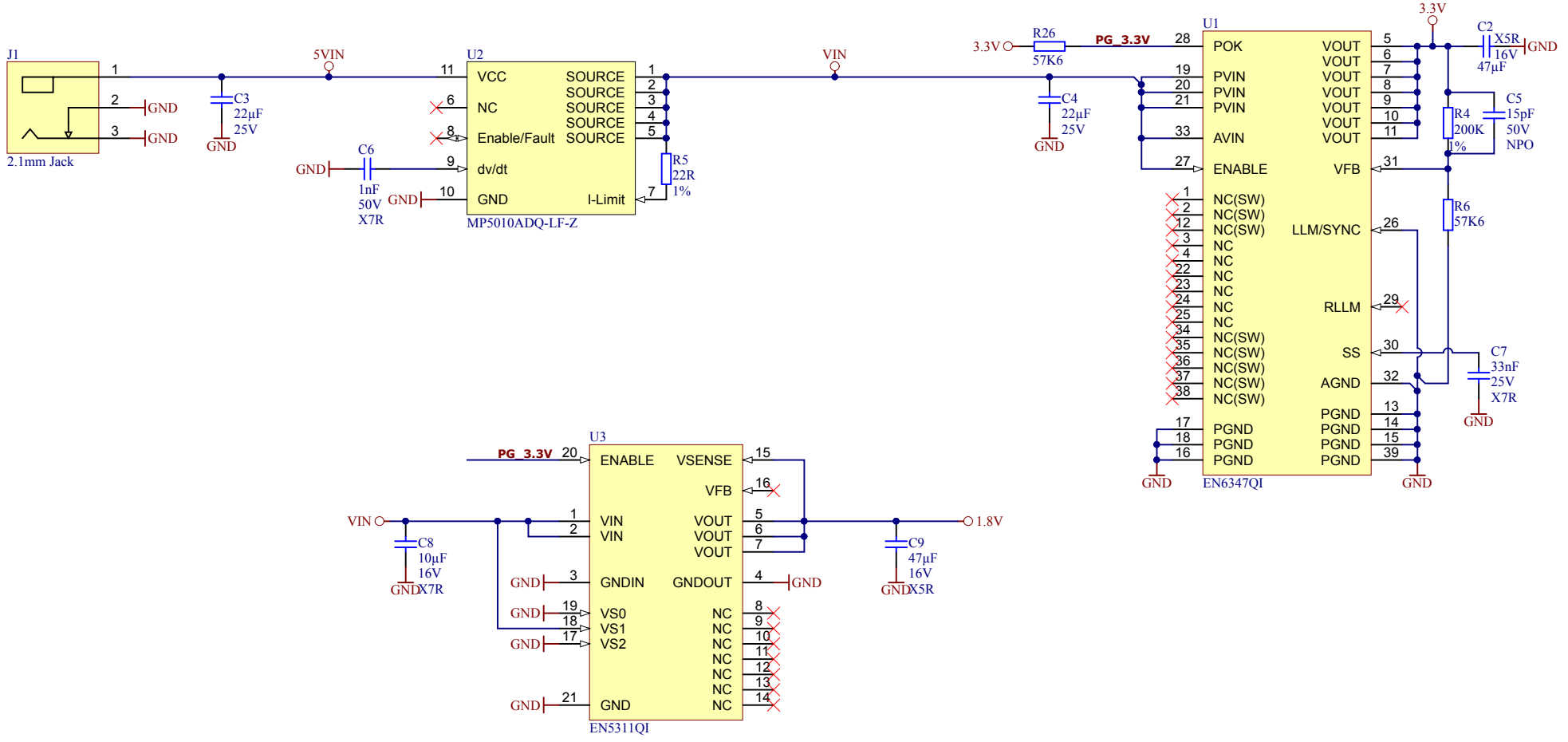


	Title: SD Card		
	A4	Number: TE0706 TE0706	Rev. 01
	Date: 7/6/2015	Copyright: Trenz Electronic GmbH	Page 7 of 9
	Filename: SDCard.SchDoc		



Title: <b>USB</b>		
A4	Number: <b>TE0706</b> <b>TE0706</b>	Rev. <b>01</b>
Date: <b>7/6/2015</b>	Copyright: <b>Trenz Electronic GmbH</b>	Page <b>8</b> of <b>9</b>
Filename: <b>USB.SchDoc</b>		





Title: <b>Power</b>		
A4	Nummer: <b>TE0706</b> <b>TE0706</b>	Rev. <b>01</b>
Datum: 7/6/2015	Zeichner: Trenz Electronic GmbH	Blatt 9 von 9
Filename: <b>POWER.SchDoc</b>		