

1

2

3

4

A

A

U_B2B_Connectors
B2B_Connectors.SchDoc



Ethernet
Ethernet.SchDoc



U_LED_SW_BUT
LED_SW_BUT.SchDoc



U_POWER
POWER.SchDoc



U_VG_CONN
VG_CONN.SchDoc



U_USB
USB.SchDoc



SDCard
SDCard.SchDoc



U_ETH-PHY
ETH-PHY.SchDoc

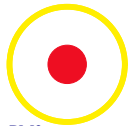


B

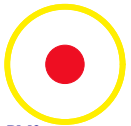
B



PM1



PM2



PM3



PM4



PM5

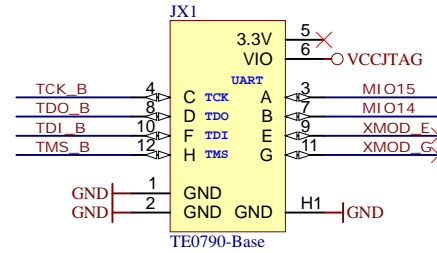


PM6

Serial
Serial
Serialnumber 6,3 x 6.3mm



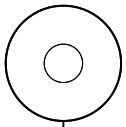
XMOD-FT2232H header: JTAG and UART



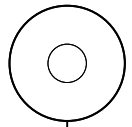
C

C

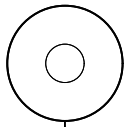
Mount.Hole 3.2mm Mount.Hole 3.2mm Mount.Hole 3.2mm Mount.Hole 3.2mm



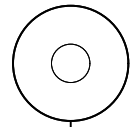
GND



GND



GND



GND

LOGO1

TE Logo PRINT Layer

LOGO PRINT

D

D



Title: Overview		
A4	Number: TE0706 Default	Rev. 03
Date: 2018-12-27	Copyright: Trenz Electronic GmbH	Page1 of 10
Filename: TE0706.SchDoc		

1

2

3

4

A

A

B

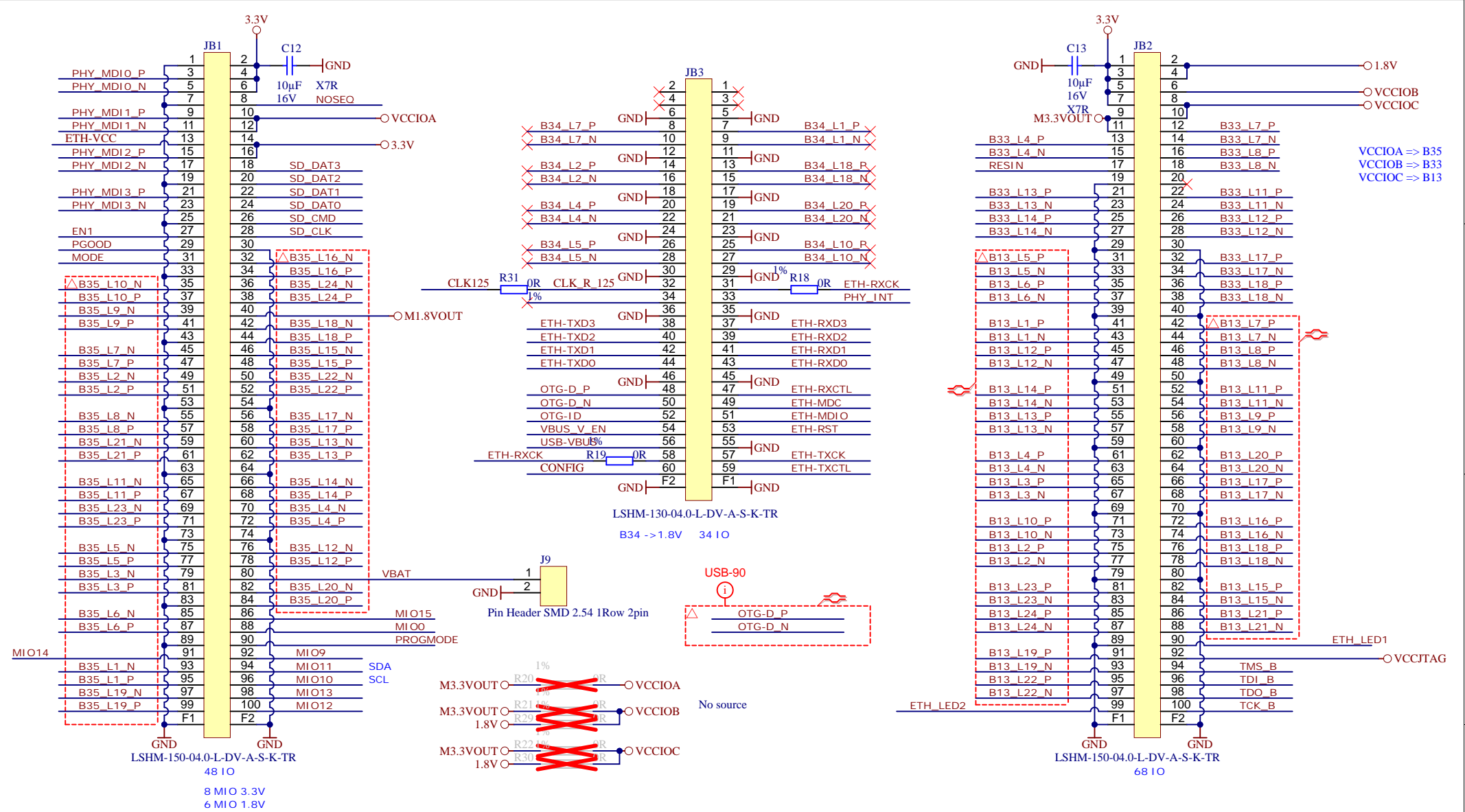
B

C

C

D

D



VCCIOA => B35
VCCIOB => B33
VCCIOC => B13

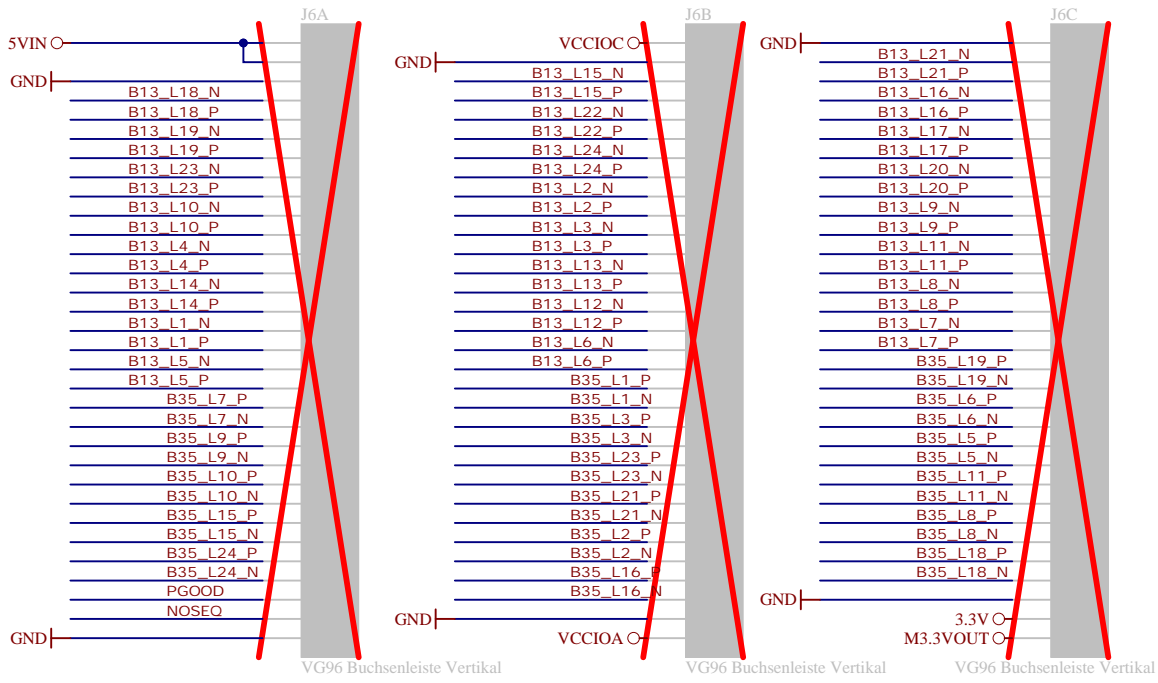
LSHM-130-04.0-L-DV-A-S-K-TR
B34 -> 1.8V 34 IO

LSHM-150-04.0-L-DV-A-S-K-TR
68 IO

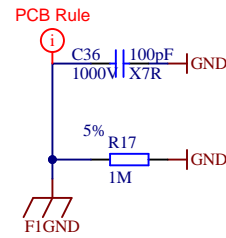
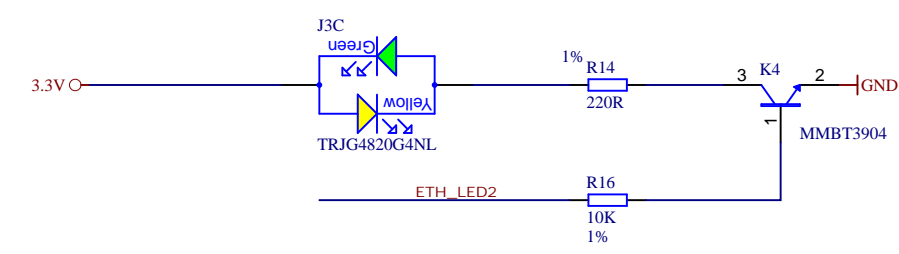
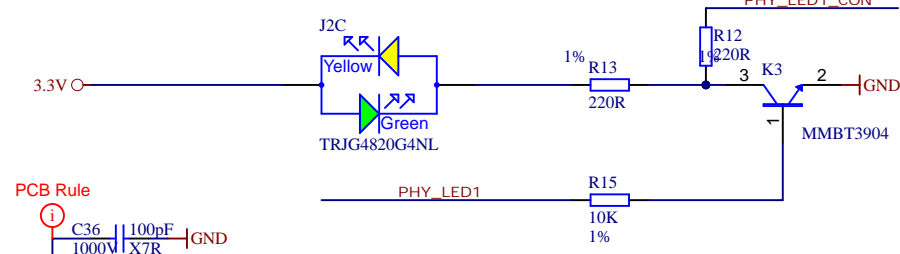
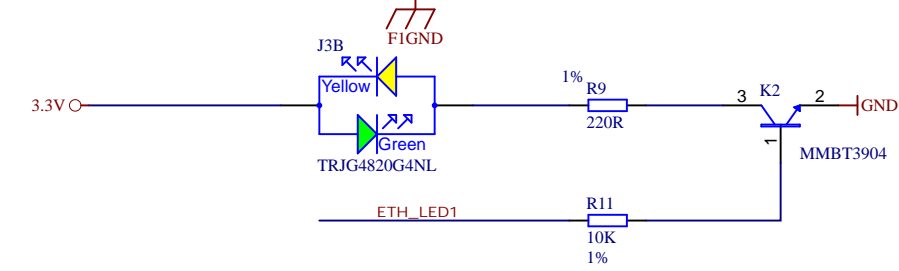
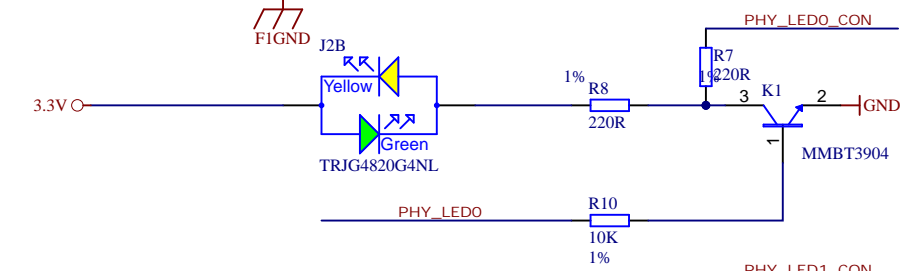
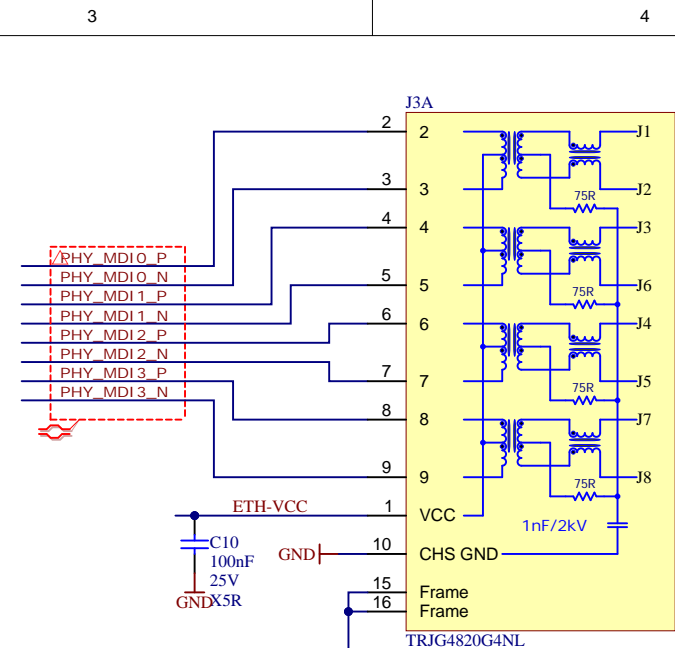
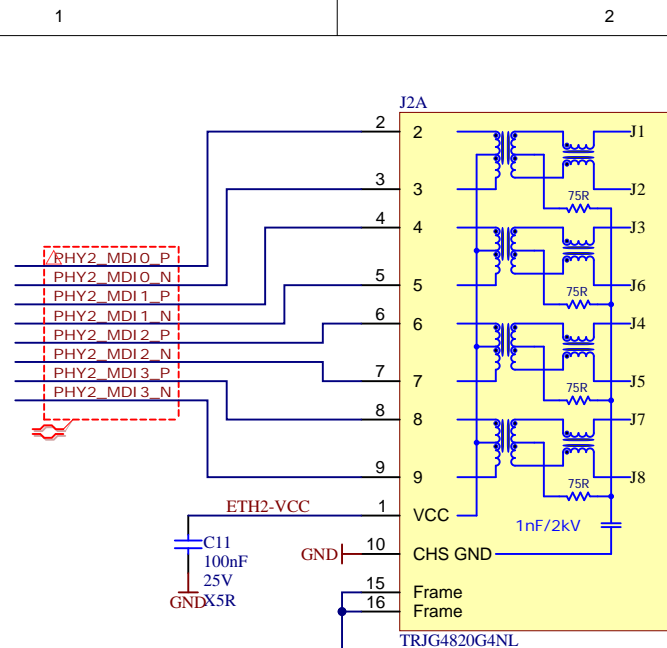


Title: B2B Connector		
A4	Number: TE0706 Default	Rev. 03
Date: 2018-12-27	Copyright: Trenz Electronic GmbH	Page 2 of 10
Filename: B2B_Connectors.SchDoc		

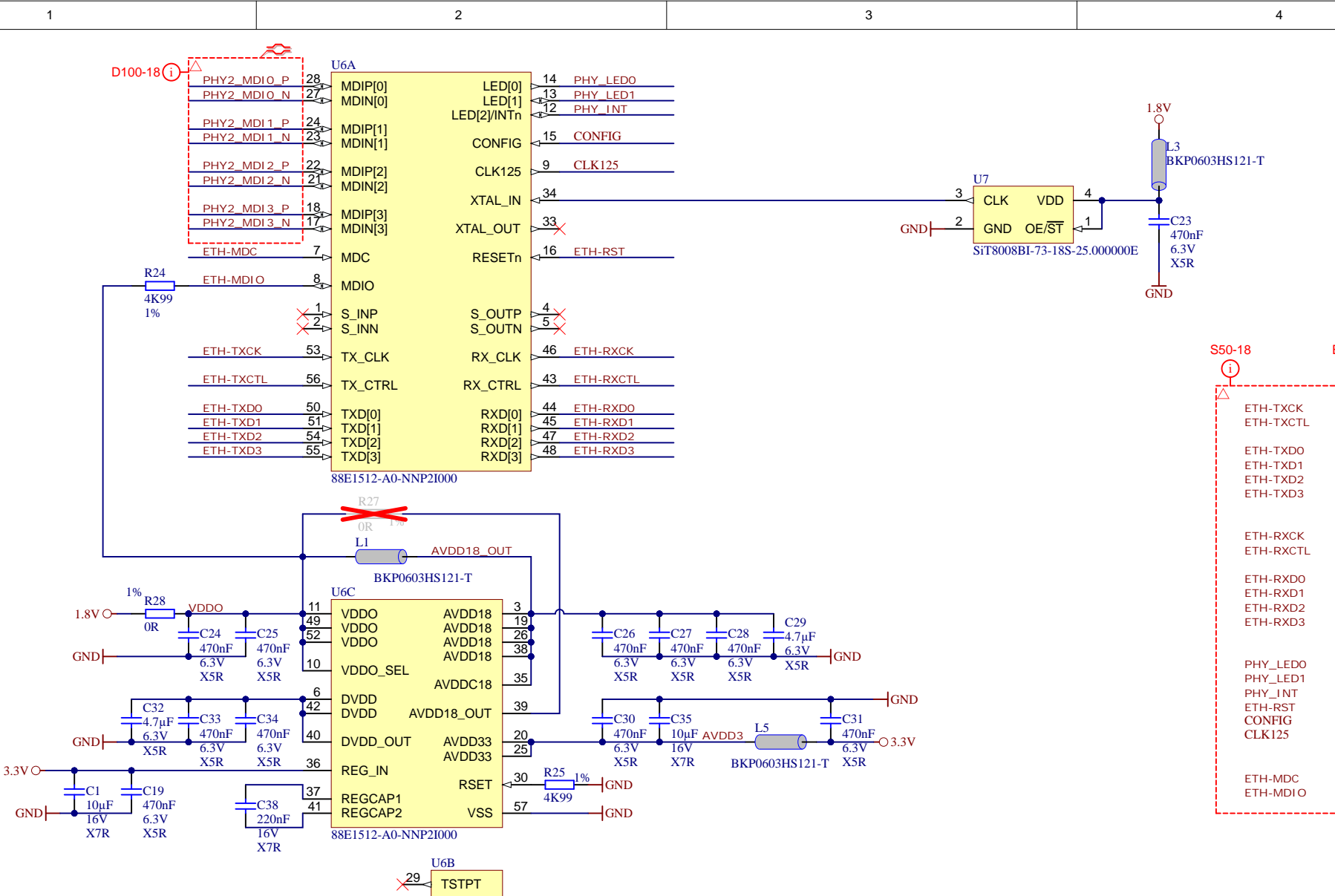
B33_L14_N	GND	1	2	GND	B33_L14_P
		3	4		
B33_L13_N	M3.3VOUT	5	6	3.3V	B33_L13_P
B33_L4_N		7	8		
B33_L18_N		9	10		B33_L4_P
B33_L17_N		11	12		B33_L18_P
B33_L12_N		13	14		B33_L17_P
B33_L11_N		15	16		B33_L12_P
B33_L8_N		17	18		B33_L11_P
B33_L7_N		19	20		B33_L8_P
PHY_LED1_CON		21	22		B33_L7_P
		23	24		PHY_LED0_CON
	MIO13	25	26	MIO12	
	MIO11	27	28	MIO10	
	MIO0	29	30	MIO9	
	MIO15	31	32	MIO14	
B35_L20_N		33	34		B35_L20_P
B35_L12_N		35	36		B35_L12_P
B35_L4_N		37	38		B35_L4_P
B35_L14_N		39	40		B35_L14_P
B35_L13_N		41	42		B35_L13_P
B35_L17_N		43	44		B35_L17_P
		45	46		
B35_L22_N	3.3V	47	48	M3.3VOUT	B35_L22_P
	GND	49	50	GND	



Title: External Connector		
A4	Number: TE0706 Default	Rev. 03
Date: 2018-12-27	Copyright: Trenz Electronic GmbH	Page 3 of 10
Filename: VG_CONN.SchDoc		



	Title: Ethernet		
	A4	Number: TE0706 Default	Rev. 03
	Datum: 2018-12-27	Zeichner: Trenz Electronic GmbH	Blatt 4 von 10
	Filename: Ethernet.SchDoc		



Title: TE0729		
A4	Number: TE0706 Default	Rev. 03
Date: 2018-12-27	Copyright: Trenz Electronic GmbH	Page5 of 10
Filename: ETH-PHY.SchDoc		

1

2

3

4

A

A

B

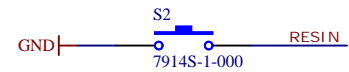
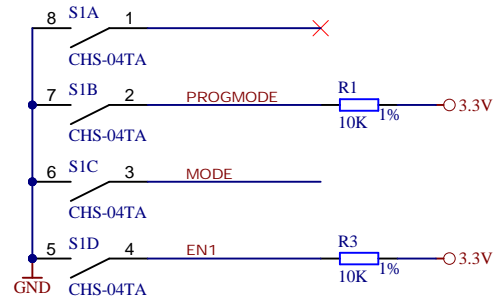
B


C

C

D

D



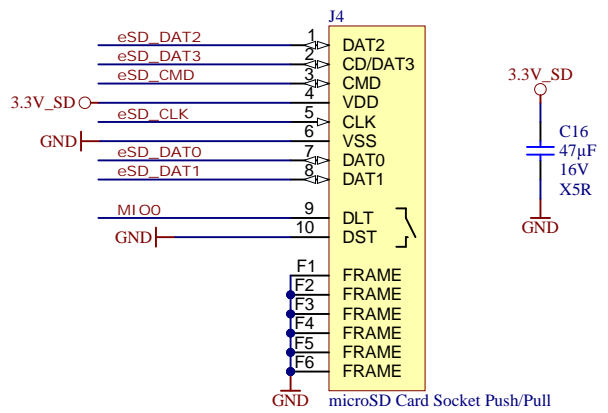
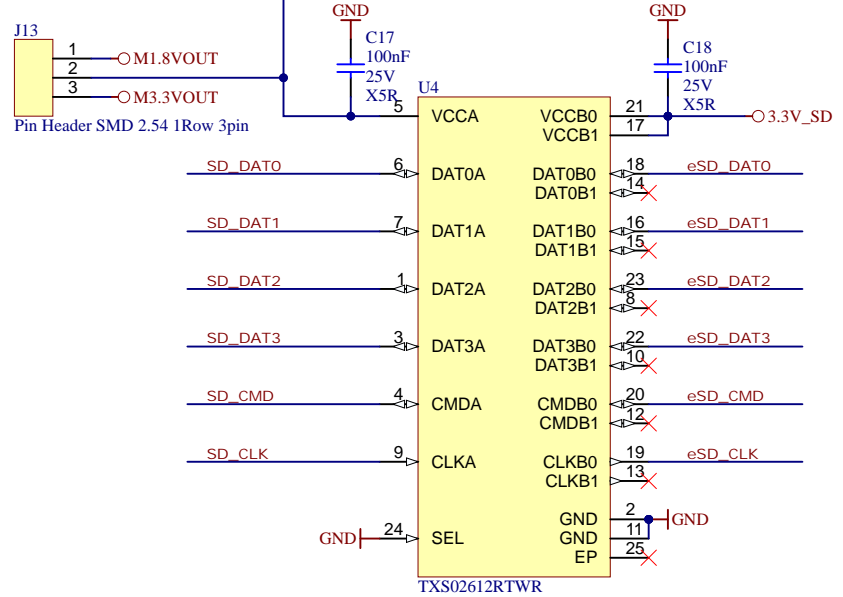
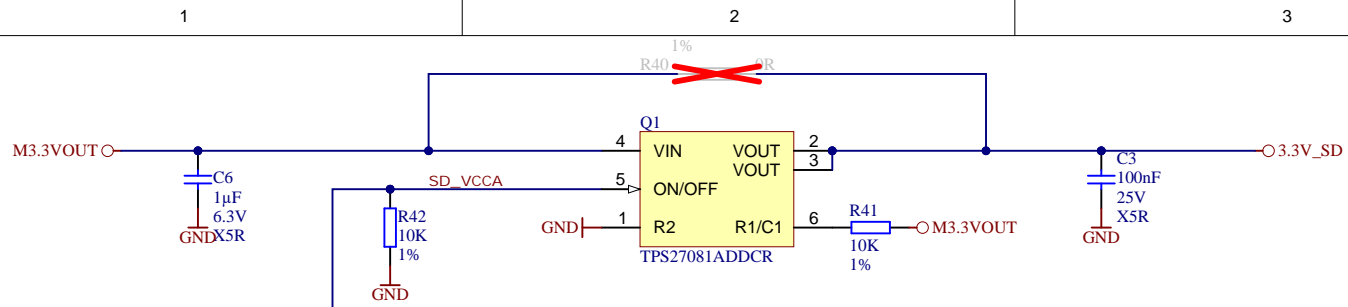
	Title: LED-Switch		
	A4	Number: TE0706 Default	Rev. 03
	Date: 2018-12-27	Copyright: Trenz Electronic GmbH	Page 6 of 10
	Filename: LED_SW_BUT.SchDoc		

1

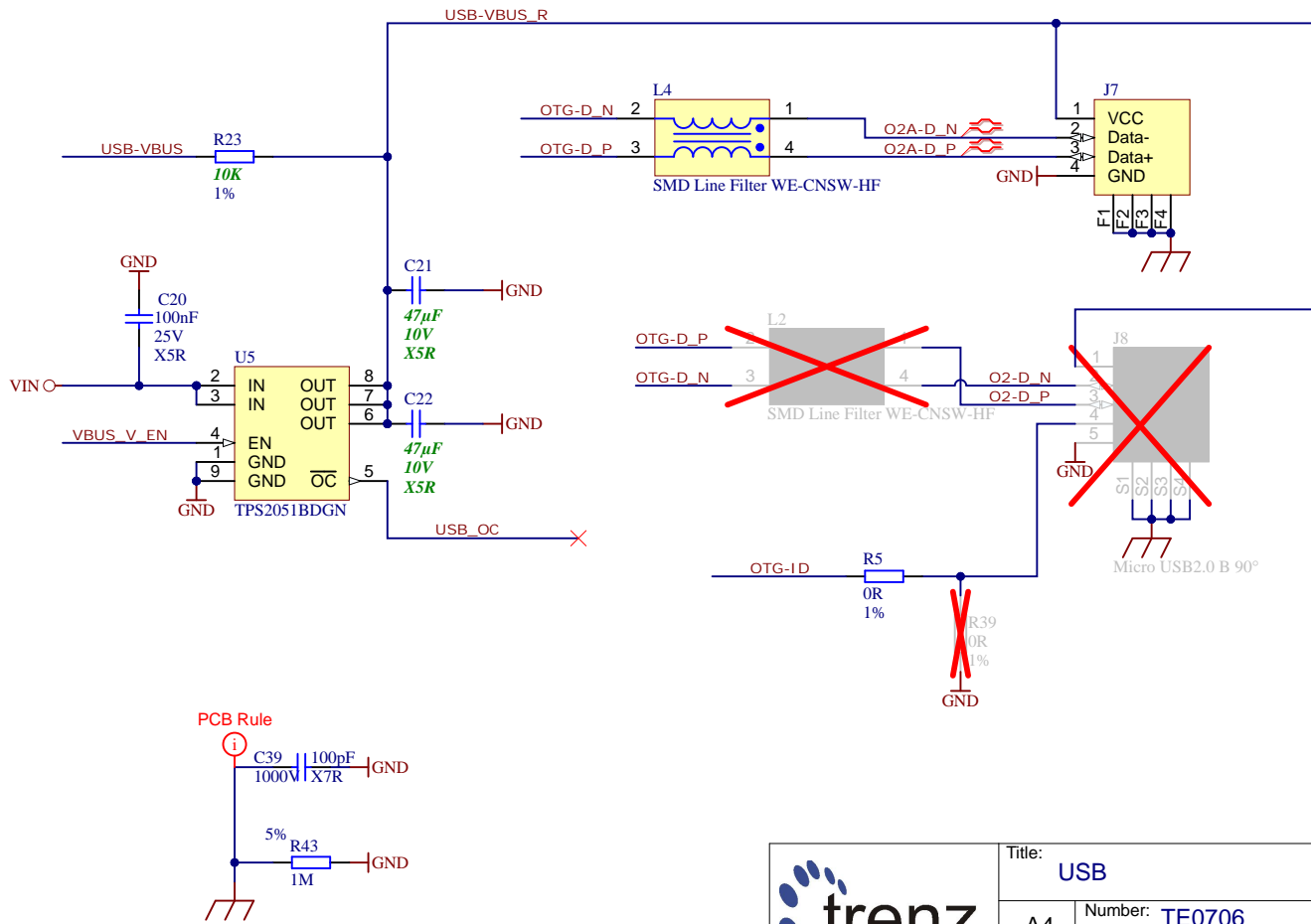
2

3

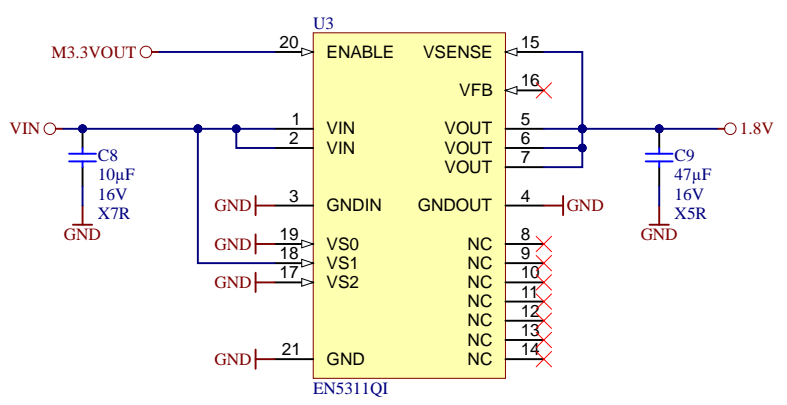
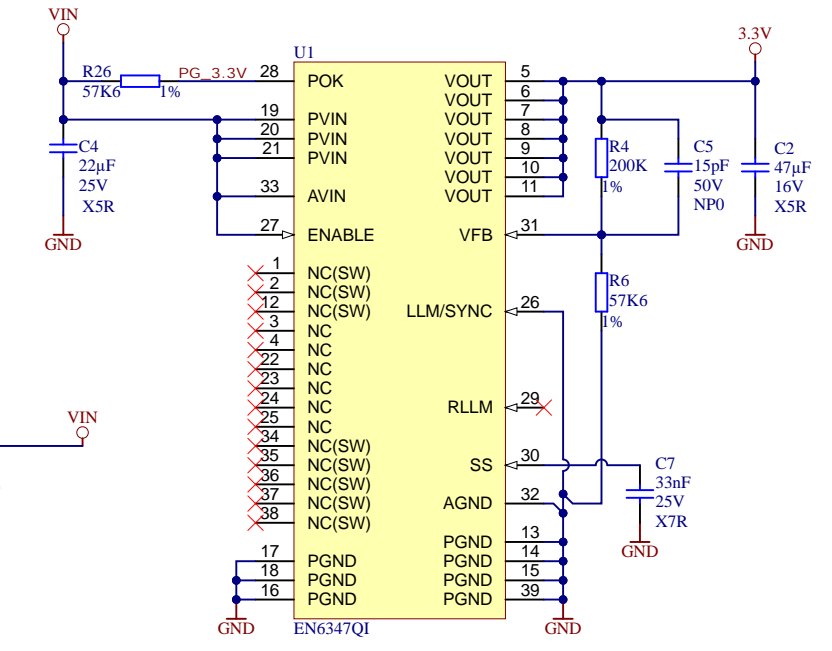
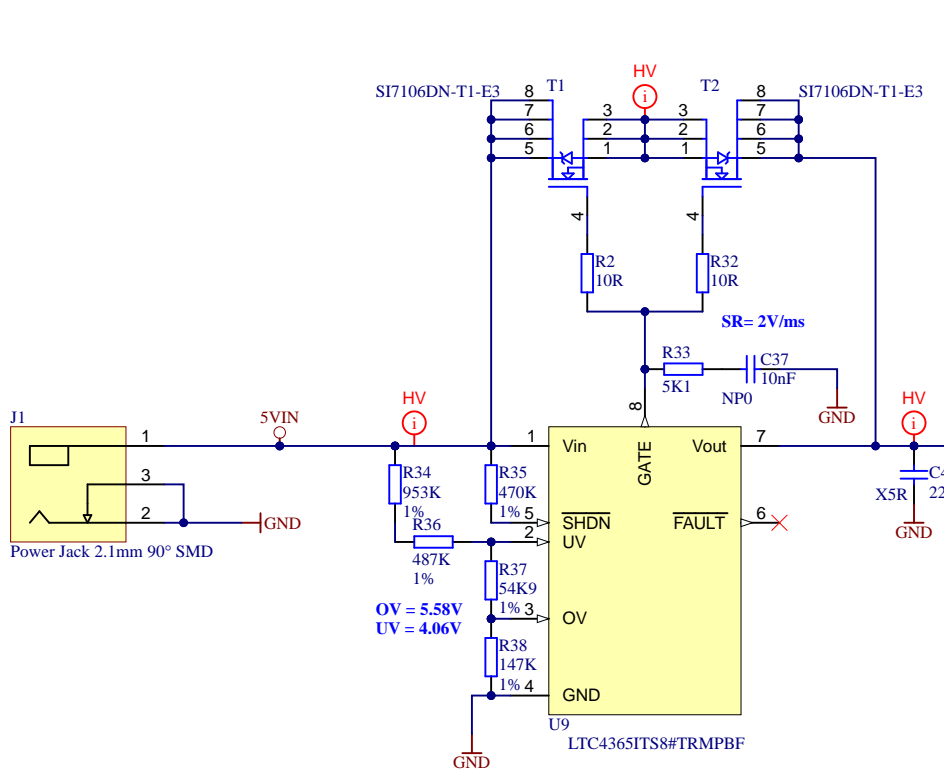
4




	Title: SD Card		
	A4	Number: TE0706 Default	Rev. 03
	Date: 2018-12-27	Copyright: Trenz Electronic GmbH	Page 7 of 10
	Filename: SDCard.SchDoc		



	Title: USB	
	A4	Number: TE0706 Default
	Date: 2018-12-27	Copyright: Trenz Electronic GmbH
	Rev. 03	Page 8 of 10
Filename: USB.SchDoc		



	Title: Power		
	A4	Nummer: TE0706 Default	Rev. 03
	Datum: 2018-12-27	Zeichner: Trenz Electronic GmbH	Blatt 9 von 10
	Filename: POWER.SchDoc		

CHANGES REV01 to REV02

- 1) added support for 1.8V IO TE0715-30 (added 3-pin headers for variable voltage banks)
- 2) PWR connector type changed THT->SMD
- 3) swapped xmod RX <->TX
- 4) added 0 ohm to disconnect CLK125 for GT module compatibility
- 5) changed micro-USB
- 6) add ferrite beads L1
- 7) update Razorbeam Connectors, full update lib
- 8) added serial number (traceability pad)
- 9) added thermal vias to mounting holes


23.11.2017:
 10) U8 MP5010ADQ-LF-Z replaced to MP5010BDQ-LF-Z

CHANGES REV02 to REV03

- 1) microSD card connector (J3) changed to industrial
- 2) changed PB (S2) to industrial
- 3) replaced input power protection
- 4) added jumper (J11) to select SD level shifter voltage on FPGA side
- 5) added power switch for SD level shifter supply voltages to ensure power sequencing of level shifter
- 6) replaced R5 and VBUS capacitors, add 00hm resistors to OTG-ID
- 7) replaced jumpers by SMD versions

2019-08-29
 8) replaced R34 by 953k and R38 by147k

2022-05-04
 9) Set S/N Track-it Pad to not fitted (EOL)

	Title: TE0706 - Changes list		
	A4	Number: TE0706 Default	Rev. 03
	Date: 2018-12-27	Copyright: Trenz Electronic GmbH	Page 10 of 10
	Filename: Revision_Changes.SchDoc		