

1

2

3

4

U_B2B_Connectors
B2B_Connectors.SchDoc



Ethernet
Ethernet.SchDoc



U_POWER
POWER.SchDoc



Connectors
Connectors.SchDoc



FTDI
FTDI.SchDoc



U_USB
USB.SchDoc



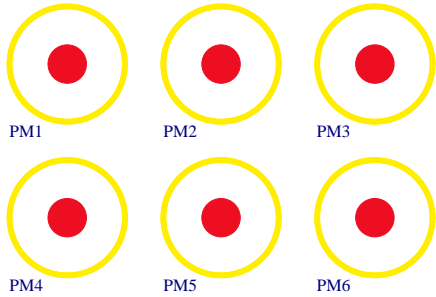
SDCard
SDCard.SchDoc



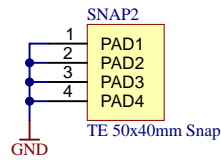
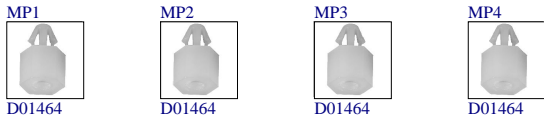
FPGA_Main
FPGA_Main.SchDoc



FPGA_MISC
FPGA_MISC.SchDoc

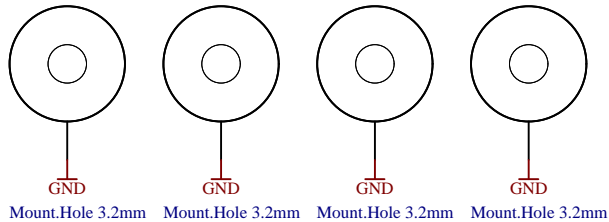


Serial1
Serial
Serialnumber 6,3 x 6.3mm



MECH7
TE Address Overlay
LOGO ADDRESS

LOGO1
TE Logo PRINT Layer
LOGO PRINT



Design drawn by: MR
Checked by: VY

Assembly variant: Default
Created by: MR
Modified by: MR
Modified at: 2020-06-19



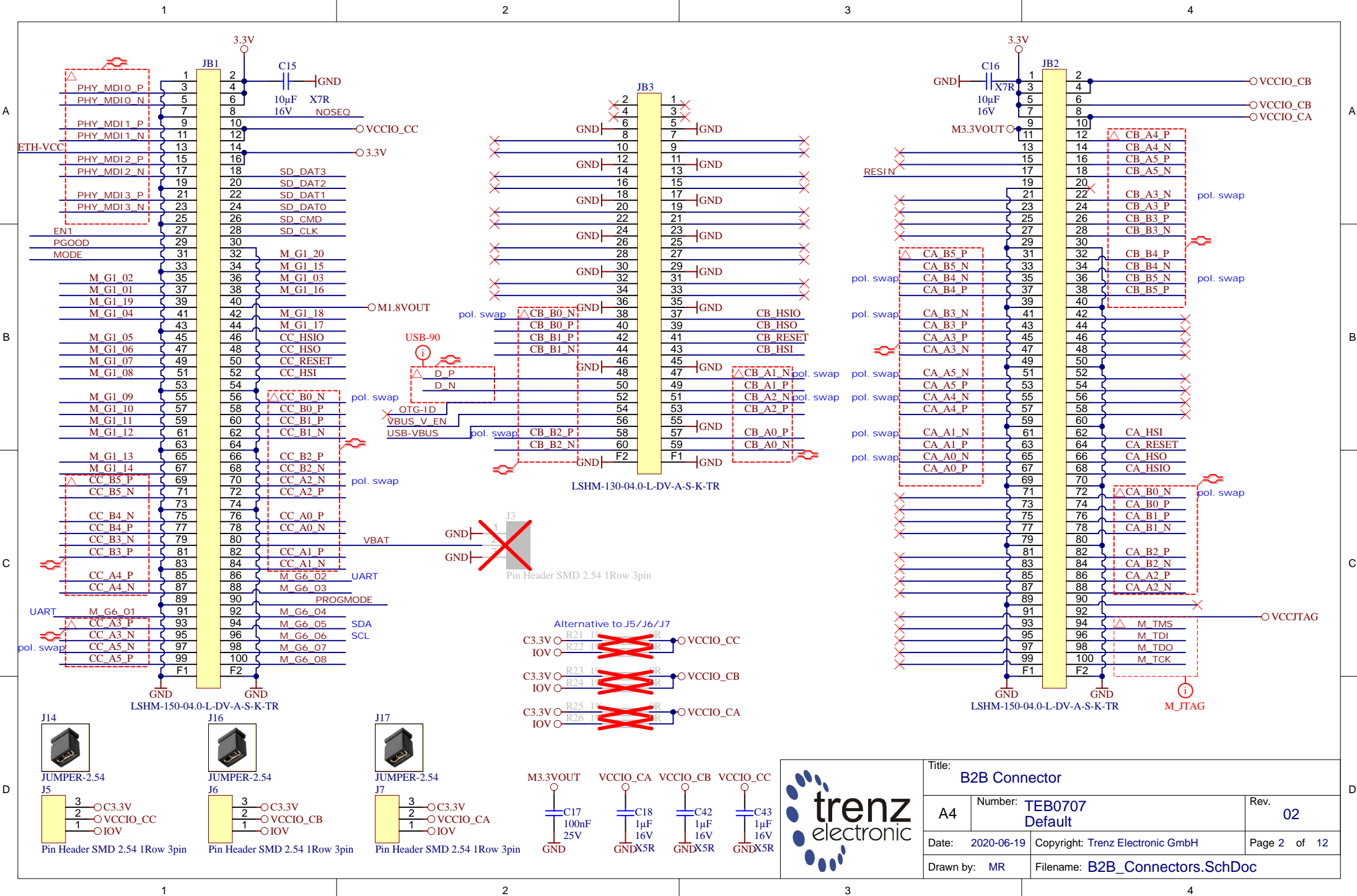
Title: Overview		
A4	Number: TEB0707 Default	Rev. 02
Date: 2020-06-19	Copyright: Trenz Electronic GmbH	Page 1 of 12
Drawn by: MR	Filename: TEB0707.SchDoc	

1

2

3

4



Title: B2B Connector		
A4	Number: TEB0707 Default	Rev. 02
Date: 2020-06-19	Copyright: Trenz Electronic GmbH	Page 2 of 12
Drawn by: MR	Filename: B2B_Connectors.SchDoc	



1

2

3

4

A

A

B

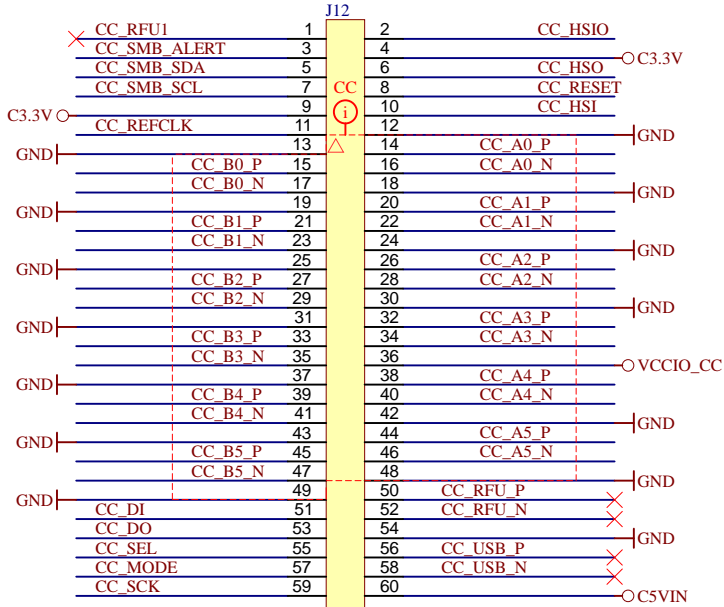
B

C

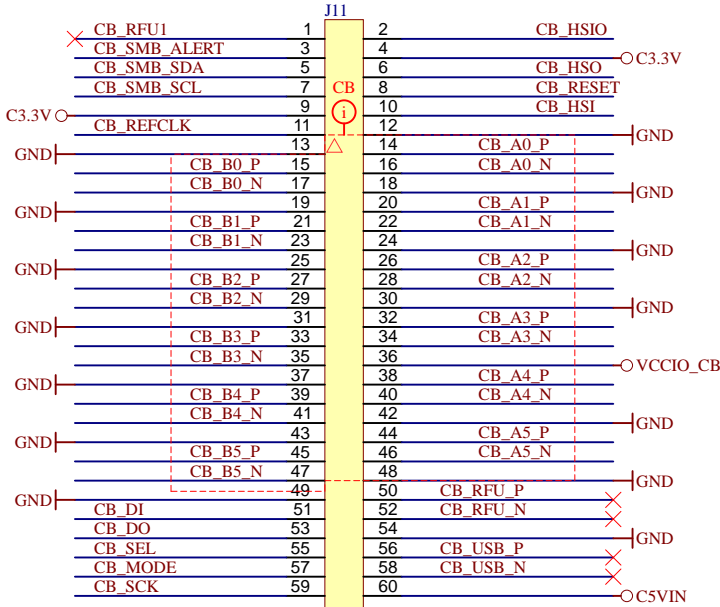
C

D

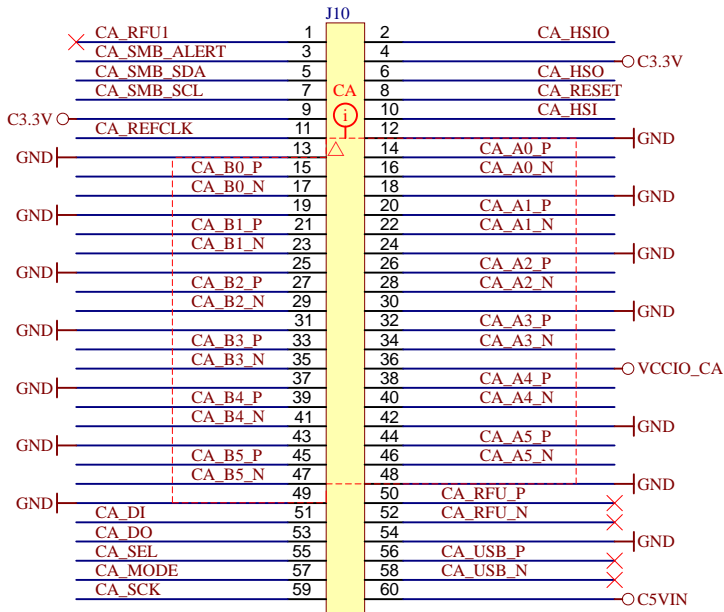
D



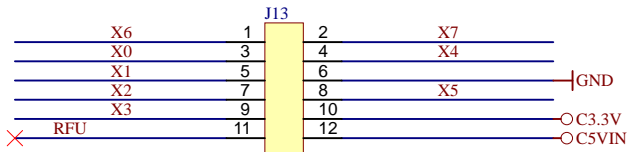
SS4-30-3.50-L-D-K-TR



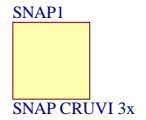
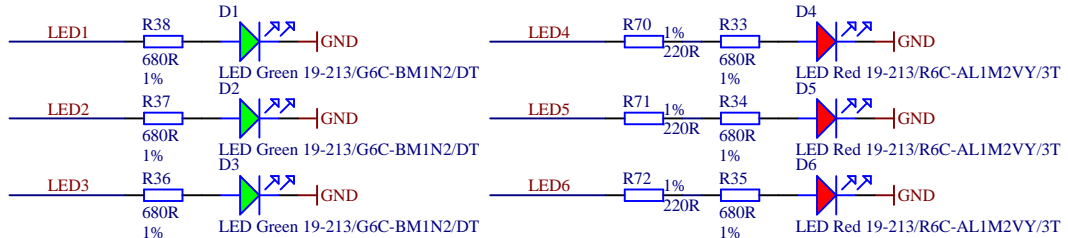
SS4-30-3.50-L-D-K-TR



SS4-30-3.50-L-D-K-TR



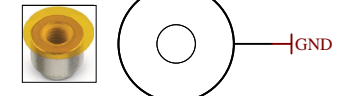
CLT-106-02-F-D-A-K



SNAP CRUV1 3x



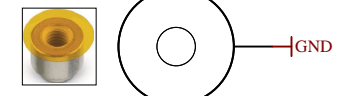
Screw M2x6



Steel Spacer M2 5mm SMD



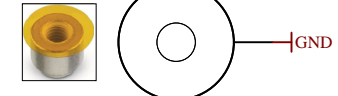
Screw M2x6



Steel Spacer M2 5mm SMD



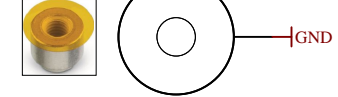
Screw M2x6



Steel Spacer M2 5mm SMD



Screw M2x6



Steel Spacer M2 5mm SMD



Screw M2x6



Steel Spacer M2 5mm SMD



Screw M2x6



Steel Spacer M2 5mm SMD

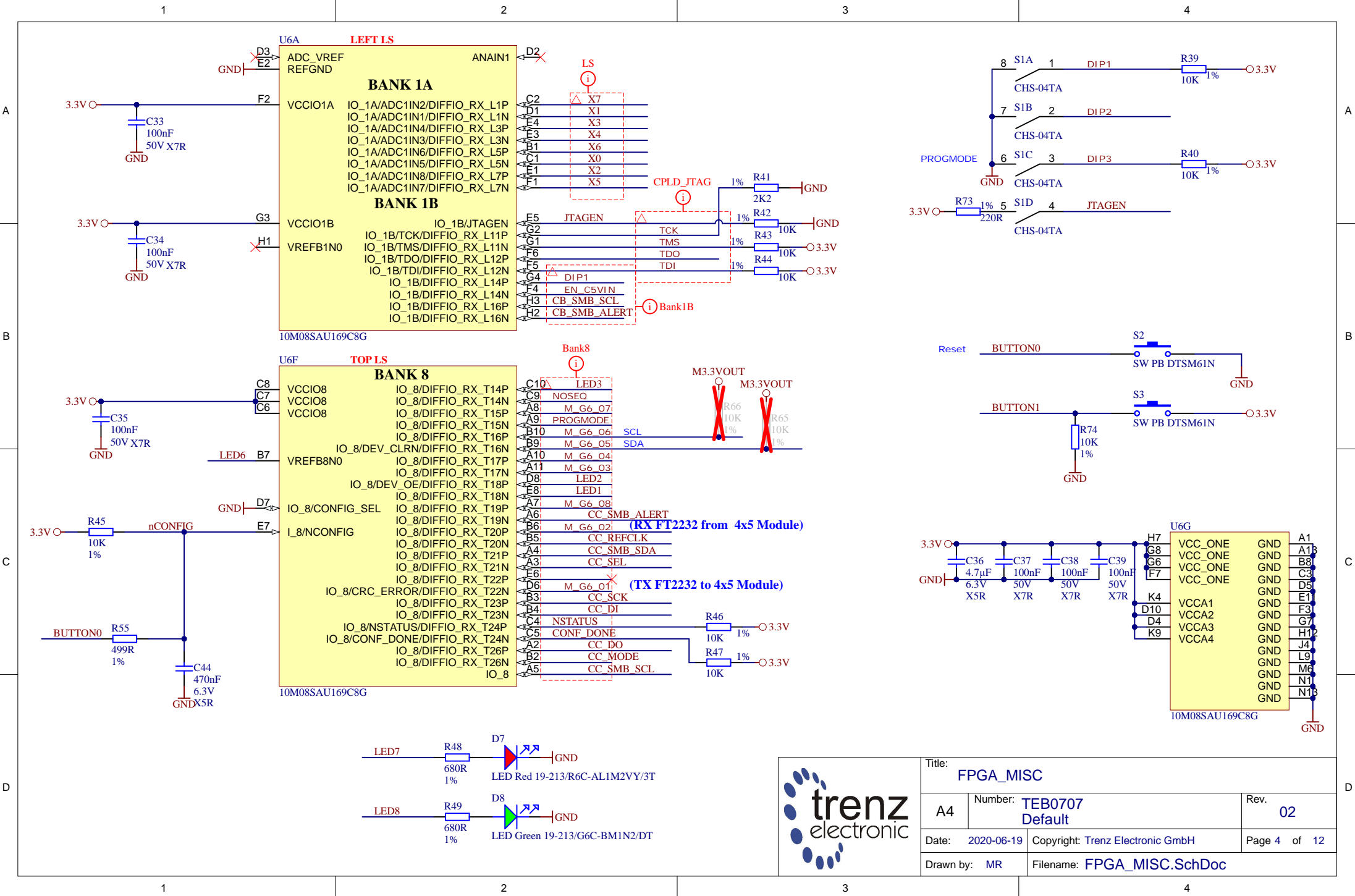
Title: CRUV1		
A4	Number: TEB0707 Default	Rev. 02
Date: 2020-06-19	Copyright: Trenz Electronic GmbH	Page 3 of 12
Drawn by: MR	Filename: Connectors.SchDoc	

1

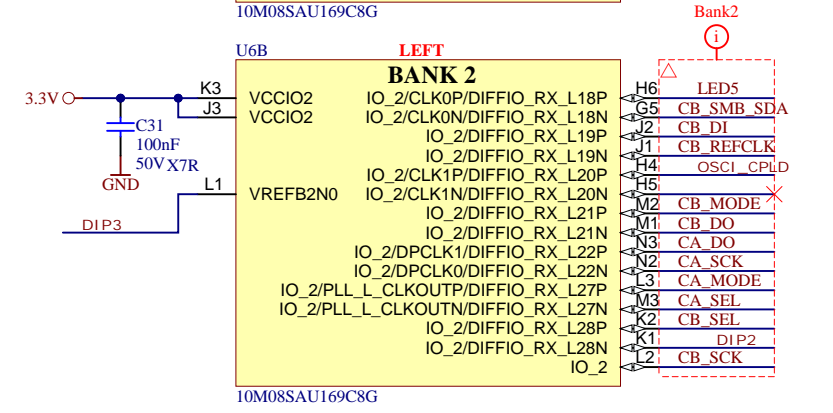
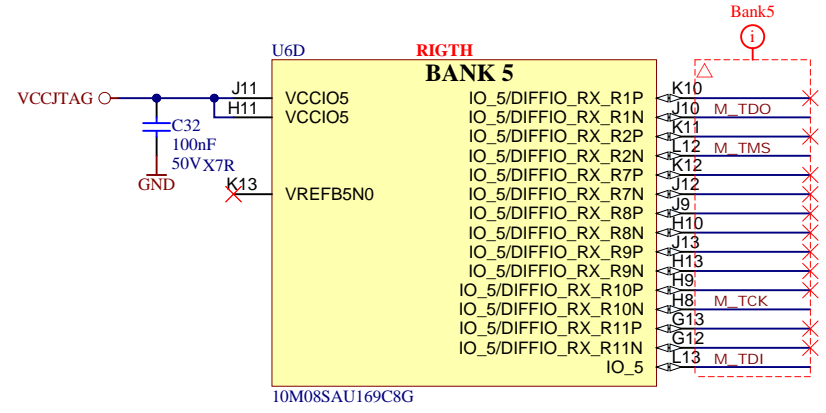
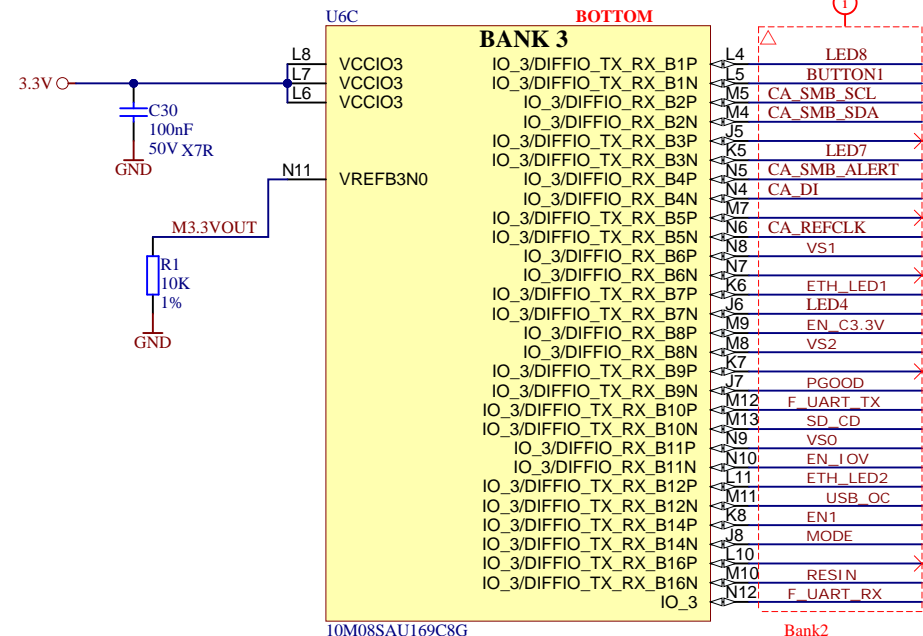
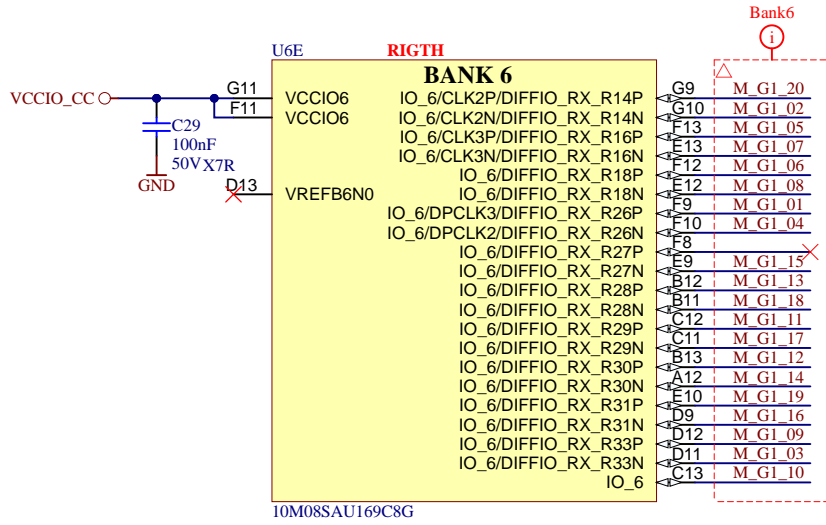
2

3

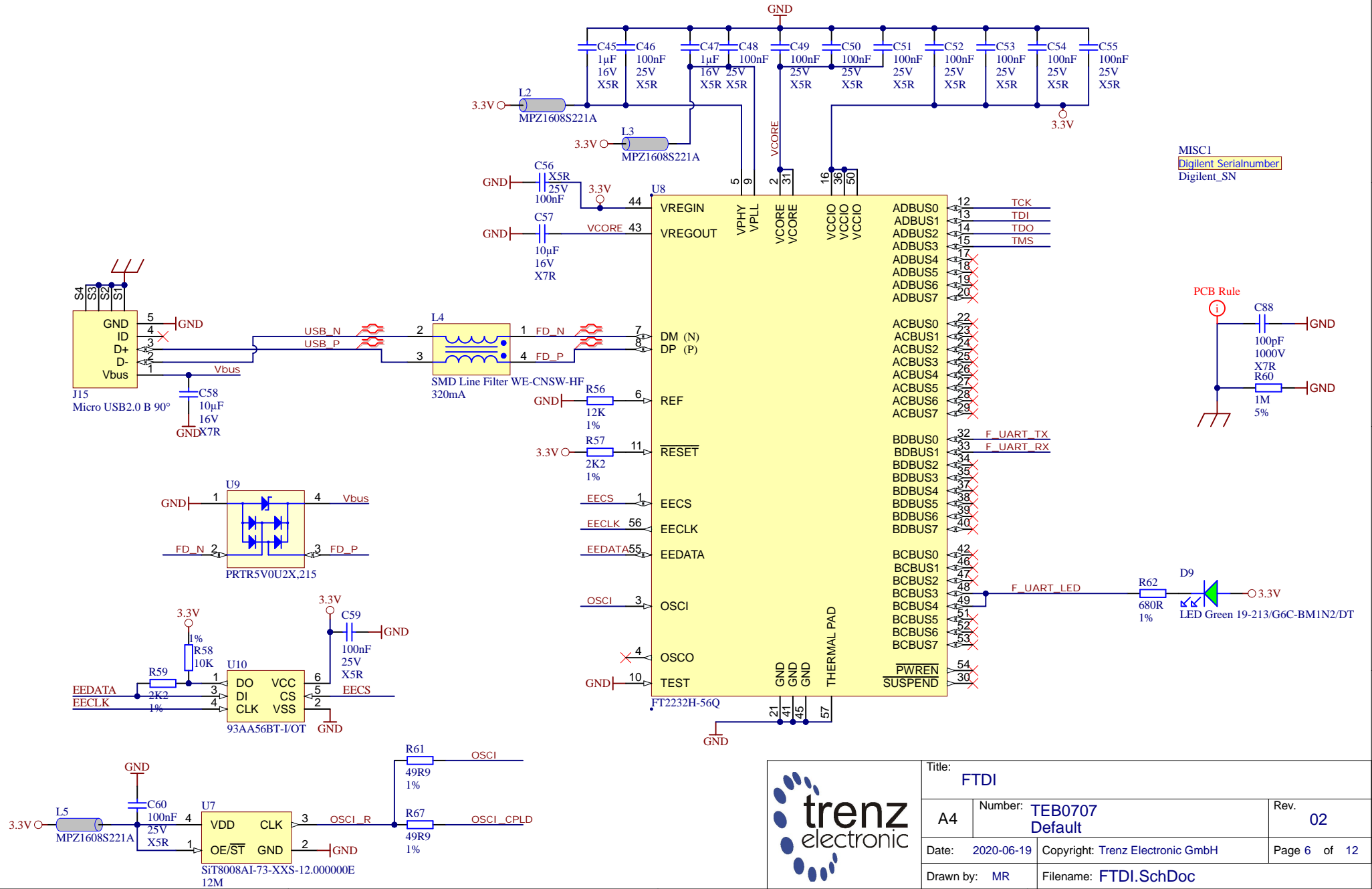
4



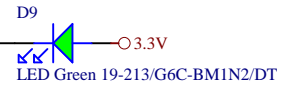
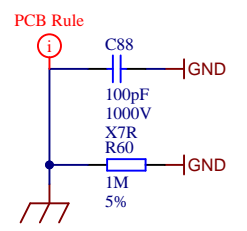
Title: FPGA_MISC		
A4	Number: TEB0707 Default	Rev. 02
Date: 2020-06-19	Copyright: Trenz Electronic GmbH	Page 4 of 12
Drawn by: MR	Filename: FPGA_MISC.SchDoc	



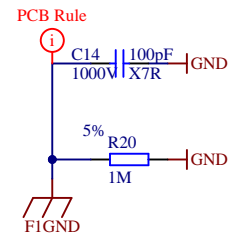
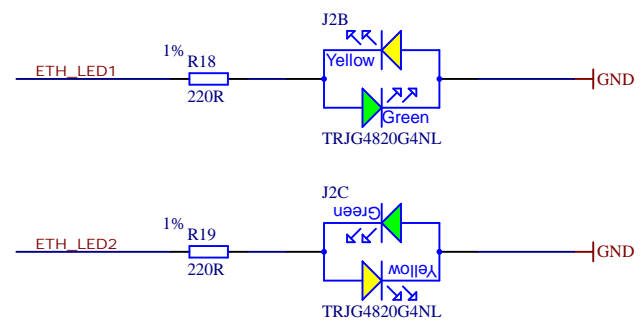
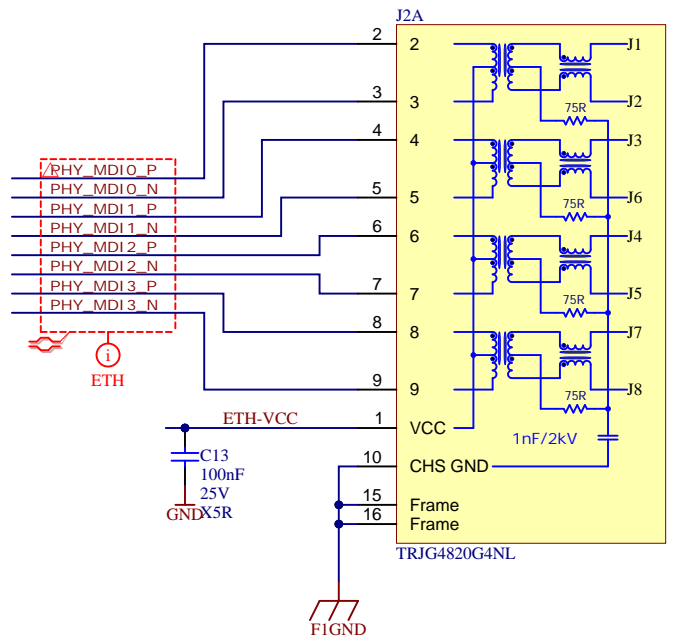
	Title: FPGA_Main	
	A4	Number: TEB0707 Default
	Date: 2020-06-19	Copyright: Trenz Electronic GmbH
	Rev. 02	Page 5 of 12
Drawn by: MR	Filename: FPGA_Main.SchDoc	



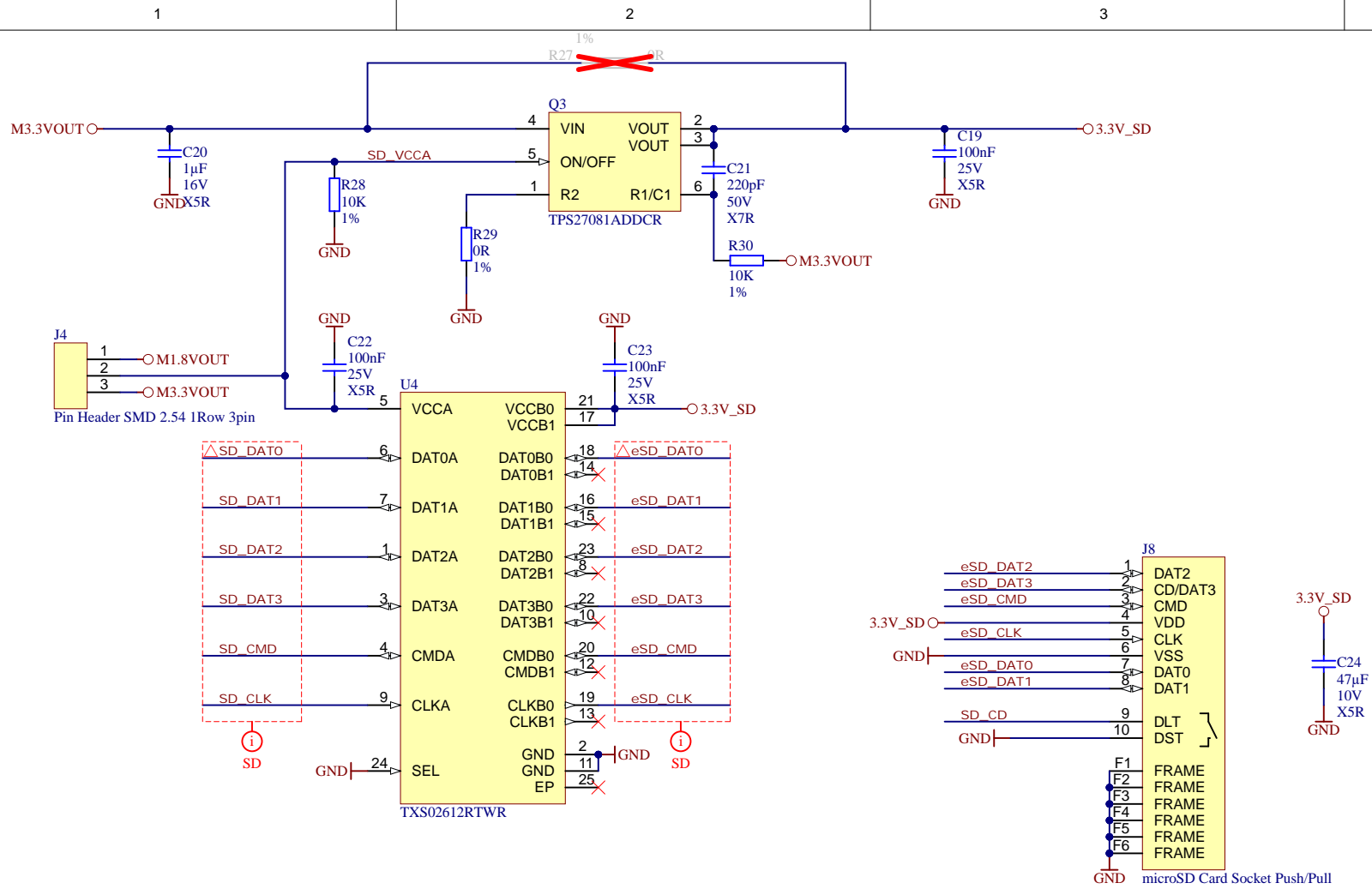
MISC1
 Digilent Serialnumber
 Digilent_SN



Title: FTDI		
A4	Number: TEB0707 Default	Rev. 02
Date: 2020-06-19	Copyright: Trenz Electronic GmbH	Page 6 of 12
Drawn by: MR	Filename: FTDI.SchDoc	

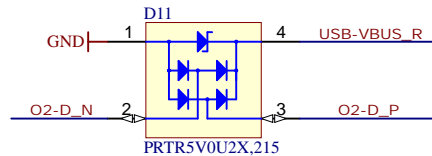
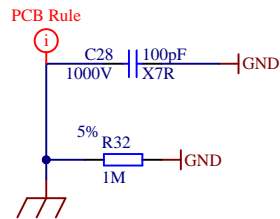
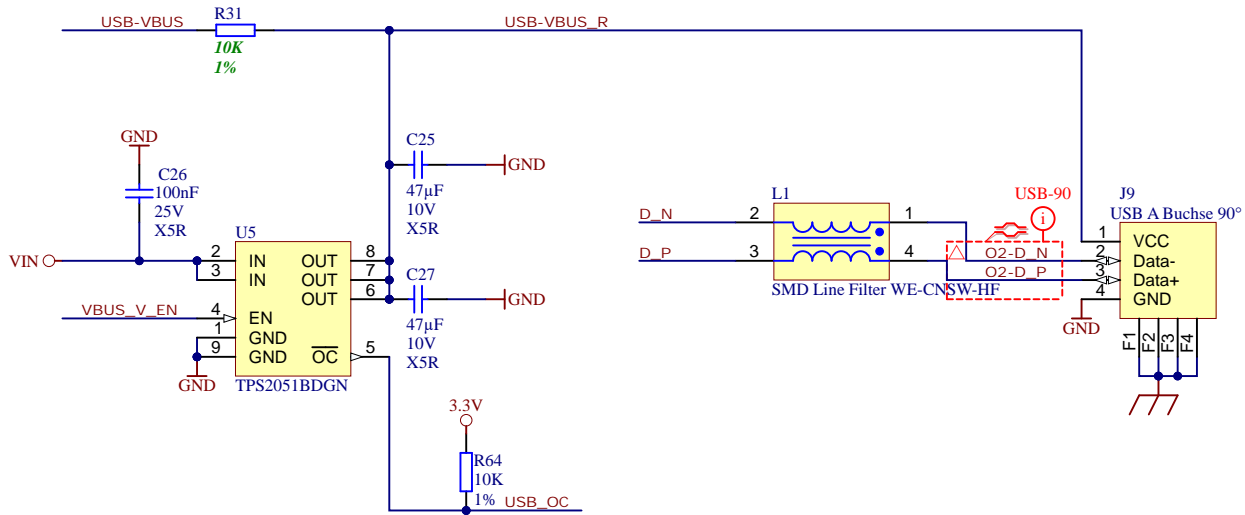


Title: Ethernet		
A4	Number: TEB0707 Default	Rev. 02
Date: 2020-06-19	Copyright: Trenz Electronic GmbH	Page 7 of 12
Drawn by: MR	Filename: Ethernet.SchDoc	

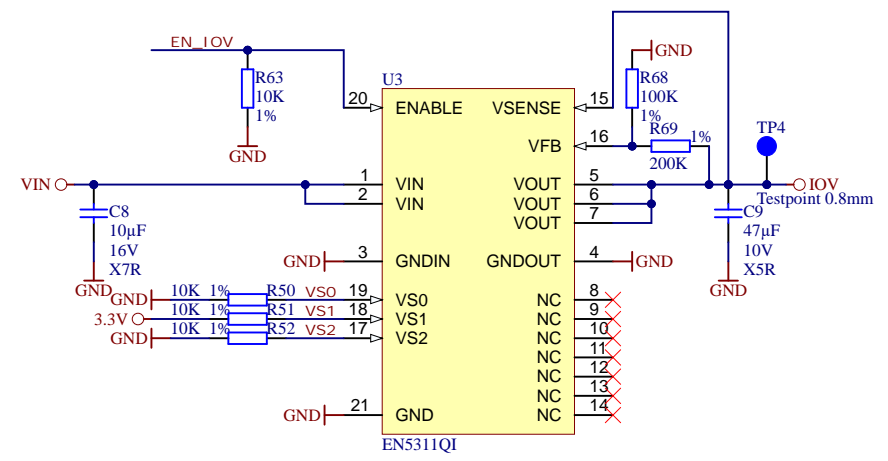
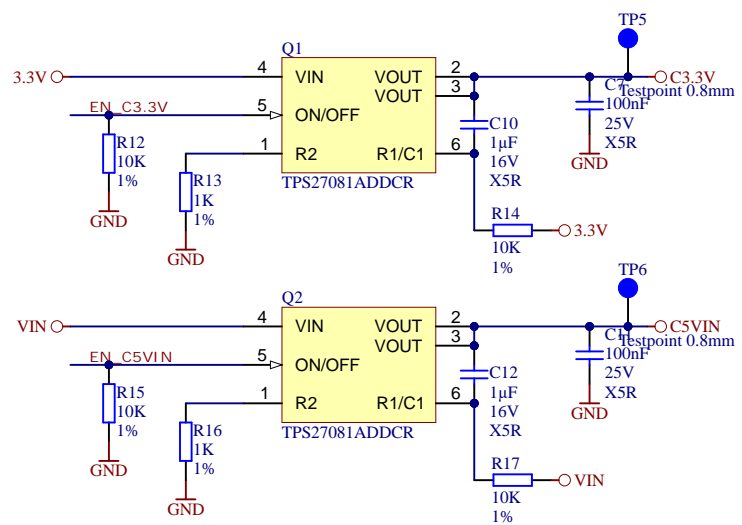
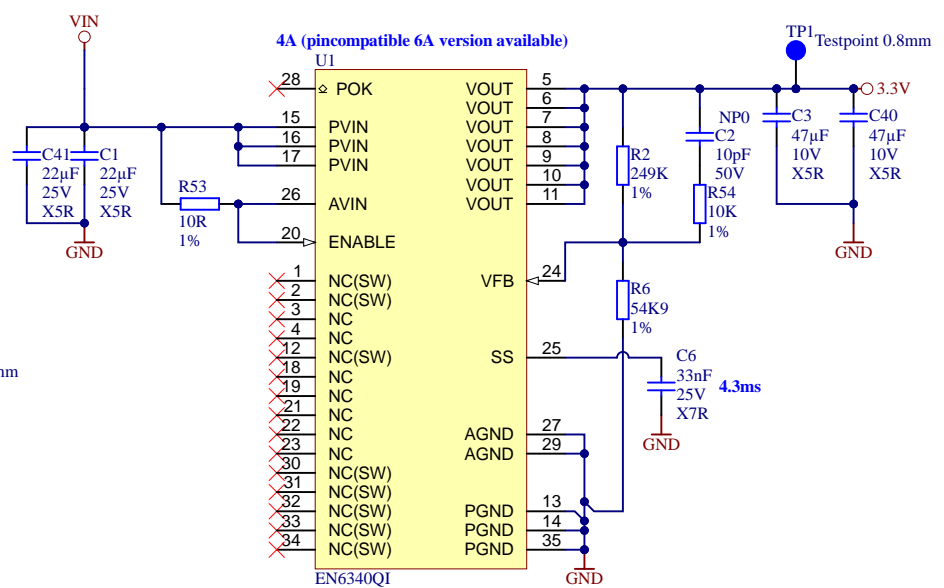
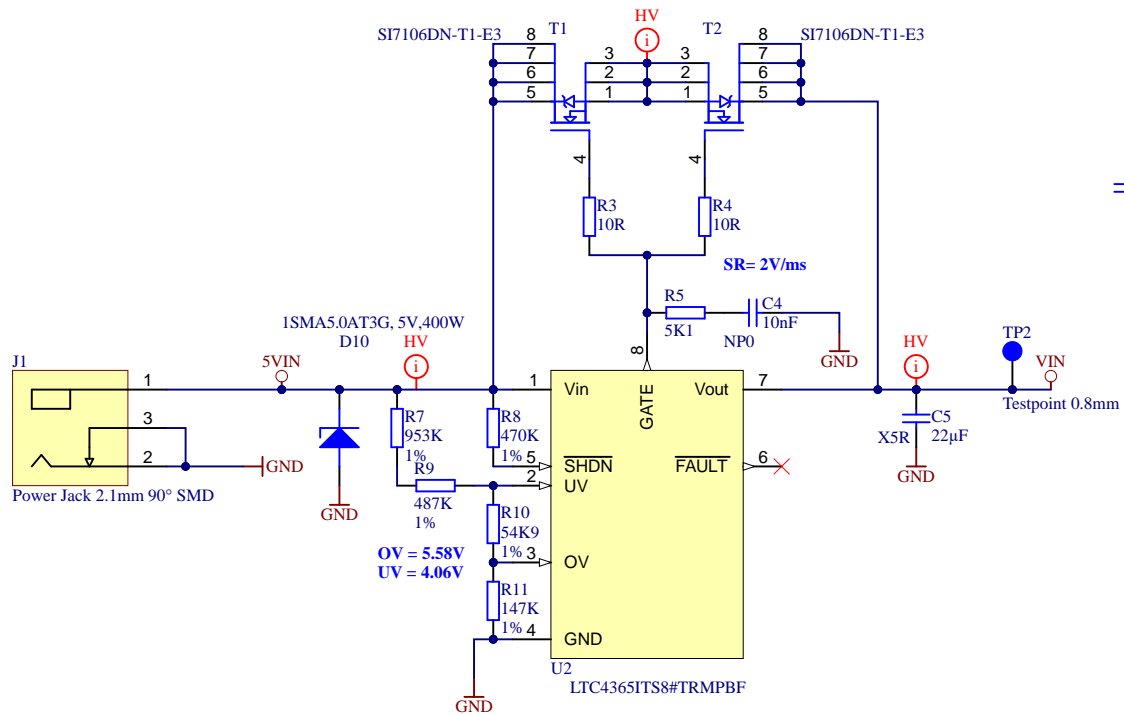


	Title: SD Card	
	A4	Number: TEB0707 Default
	Date: 2020-06-19	Copyright: Trenz Electronic GmbH
	Drawn by: MR	Filename: SDCard.SchDoc

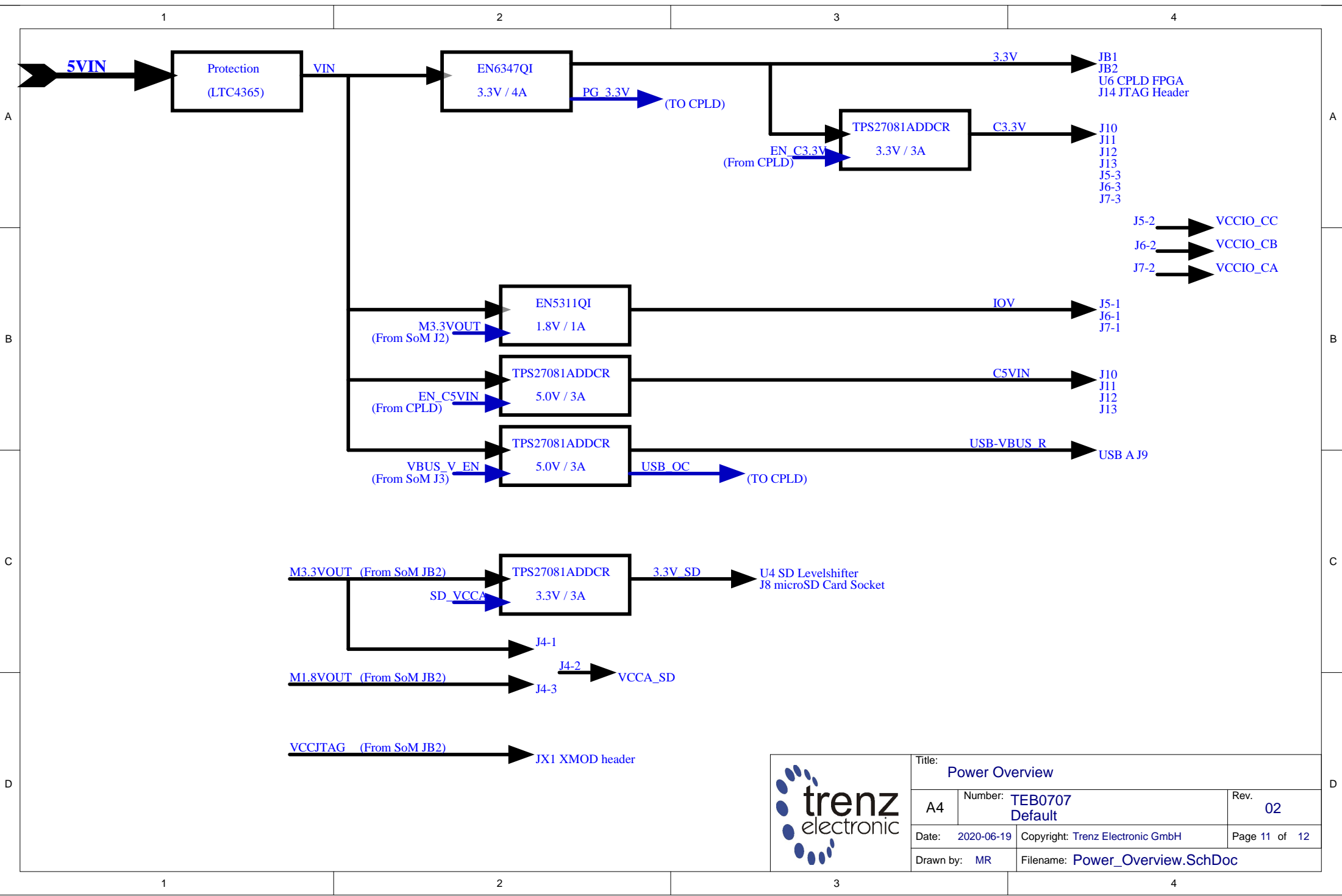
Rev. **02**
Page 8 of 12



	Title: USB		
	A4	Number: TEB0707 Default	Rev. 02
	Date: 2020-06-19	Copyright: Trenz Electronic GmbH	Page 9 of 12
	Drawn by: MR	Filename: USB.SchDoc	



Title: Power		
A4	Number: TEB0707 Default	Rev. 02
Date: 2020-06-19	Copyright: Trenz Electronic GmbH	Page 10 of 12
Drawn by: MR	Filename: POWER.SchDoc	



Title: Power Overview		
A4	Number: TEB0707 Default	Rev. 02
Date: 2020-06-19	Copyright: Trenz Electronic GmbH	Page 11 of 12
Drawn by: MR	Filename: Power_Overview.SchDoc	

1

2

3

4

REV01 --- prototyps

REV02 --- first production batch

- 1) added pulldown on BUTTON1
 - 2) moved mounting holes H7 und H8
 - 3) added resistors R68 and R69 to feedback pin of U3
 - 4) inverted JTAGEN Dip - off is 4x5 module JTAG
 - 5) added resistors R70, R71, R72 to red LEDs
 - 6) switched J3 to not assembled
- 2021-05-06 RM
- 7) changed C10 to 1µF
 - 8) changed voltage rating of all 1µF capacitors to 16V

A

A

B


B

C

C

D

D

	Title: Changes List		
	A4	Number: TEB0707 Default	Rev. 02
	Date: 2020-06-19	Copyright: Trenz Electronic GmbH	Page 12 of 12
	Drawn by: MR	Filename: Revision_Changes.SchDoc	

1

2

3

4