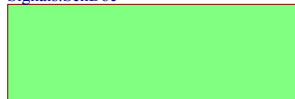


LOGO1
TE Logo PRINT Layer

LOGO PRINT

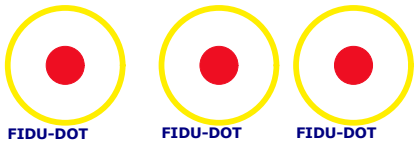
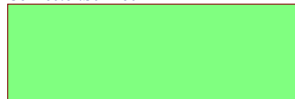
Signals
Signals.SchDoc



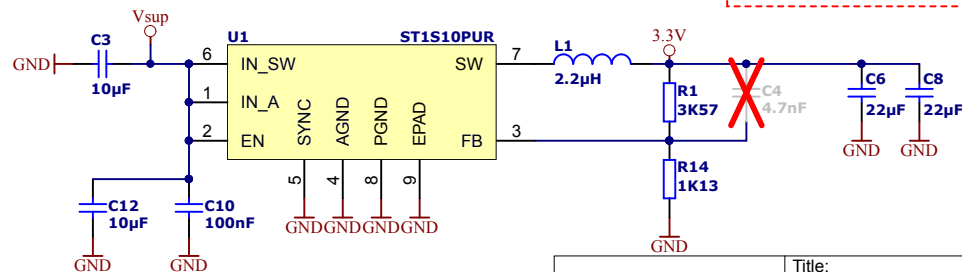
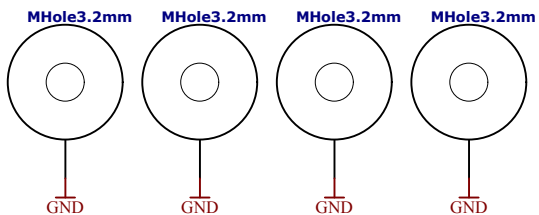
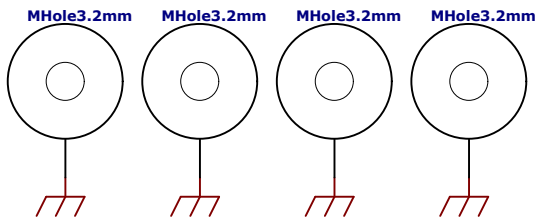
Signals
Ethernet.SchDoc



Connector
Connector.SchDoc



FIDU-DOT FIDU-DOT FIDU-DOT



D100-33

B2B_B2_L57_N
B2B_B2_L57_P

B2B_B2_L49_N
B2B_B2_L49_P

B2B_B2_L48_N
B2B_B2_L48_P
B2B_B2_L45_N
B2B_B2_L45_P
B2B_B2_L43_N
B2B_B2_L43_P
B2B_B2_L41_N
B2B_B2_L41_P

B2B_B2_L21_P

B2B_B2_L21_N
B2B_B2_L15_N
B2B_B2_L15_P

B2B_B0_L2_N
B2B_B0_L2_P
B2B_B0_L4_N
B2B_B0_L4_P
B2B_B0_L5_N
B2B_B0_L5_P
B2B_B0_L6_N
B2B_B0_L6_P

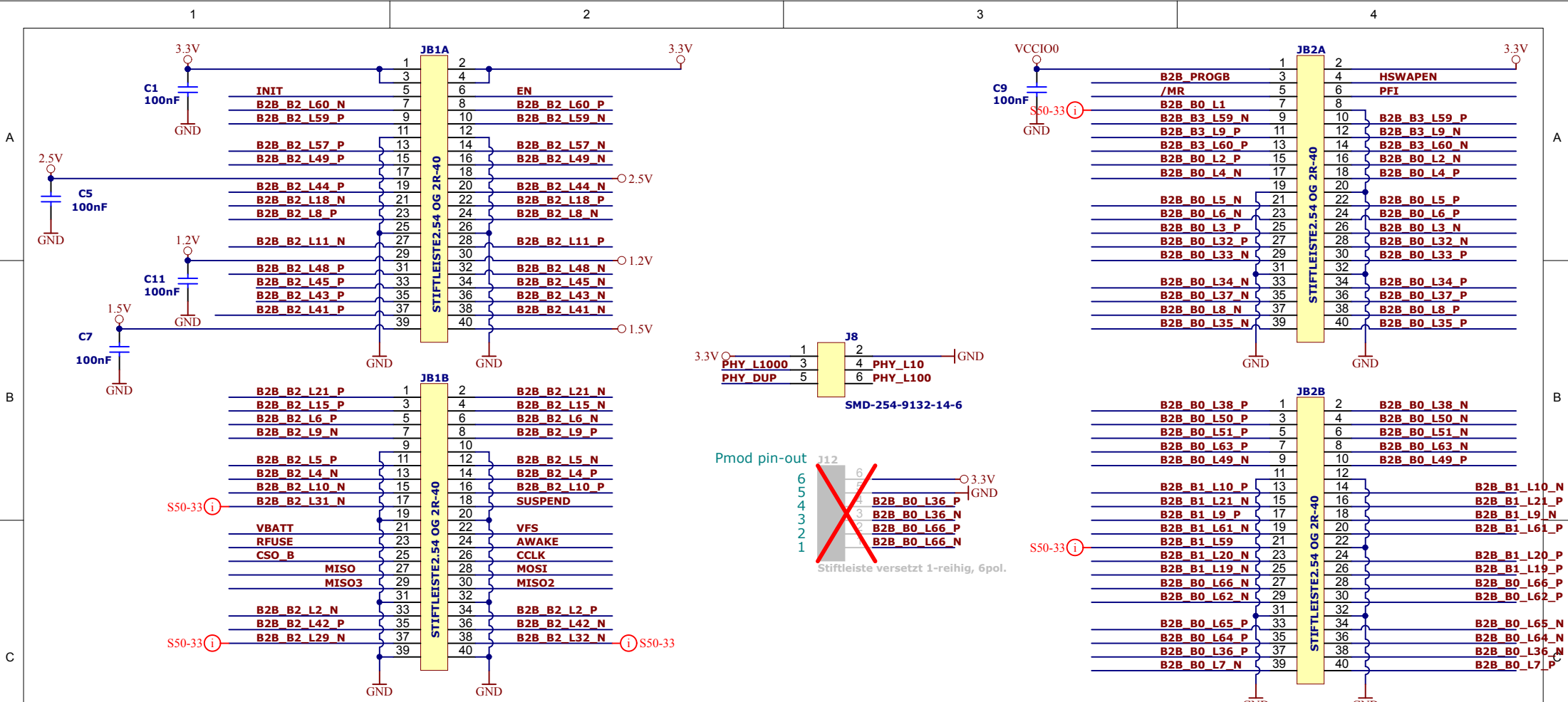
B2B_B0_L8_N
B2B_B0_L8_P
B2B_B0_L34_N
B2B_B0_L34_P
B2B_B0_L35_N
B2B_B0_L35_P
B2B_B0_L37_N
B2B_B0_L37_P
B2B_B0_L38_N
B2B_B0_L38_P

B2B_B0_L50_N
B2B_B0_L50_P
B2B_B0_L51_N
B2B_B0_L51_P
B2B_B0_L63_N
B2B_B0_L63_P
B2B_B0_L64_N
B2B_B0_L64_P
B2B_B0_L65_N
B2B_B0_L65_P

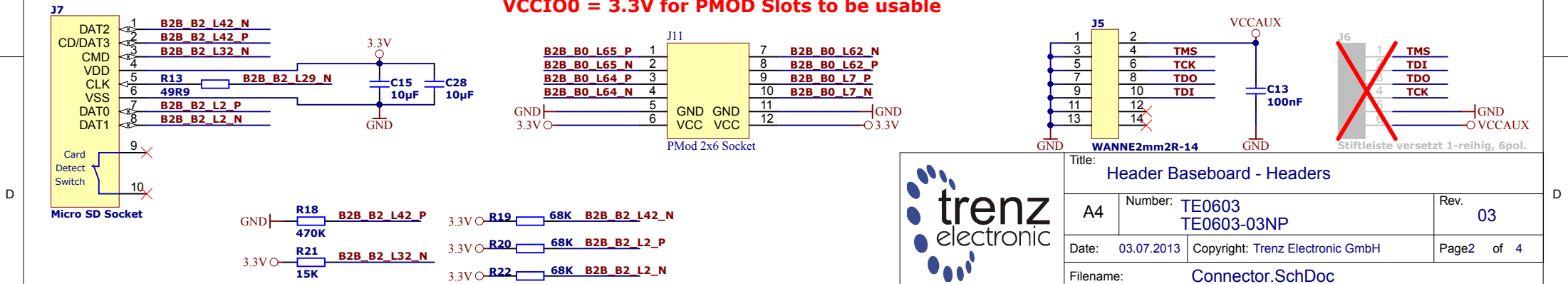
B2B_B1_L20_N
B2B_B1_L20_P
B2B_B1_L19_P
B2B_B1_L19_N



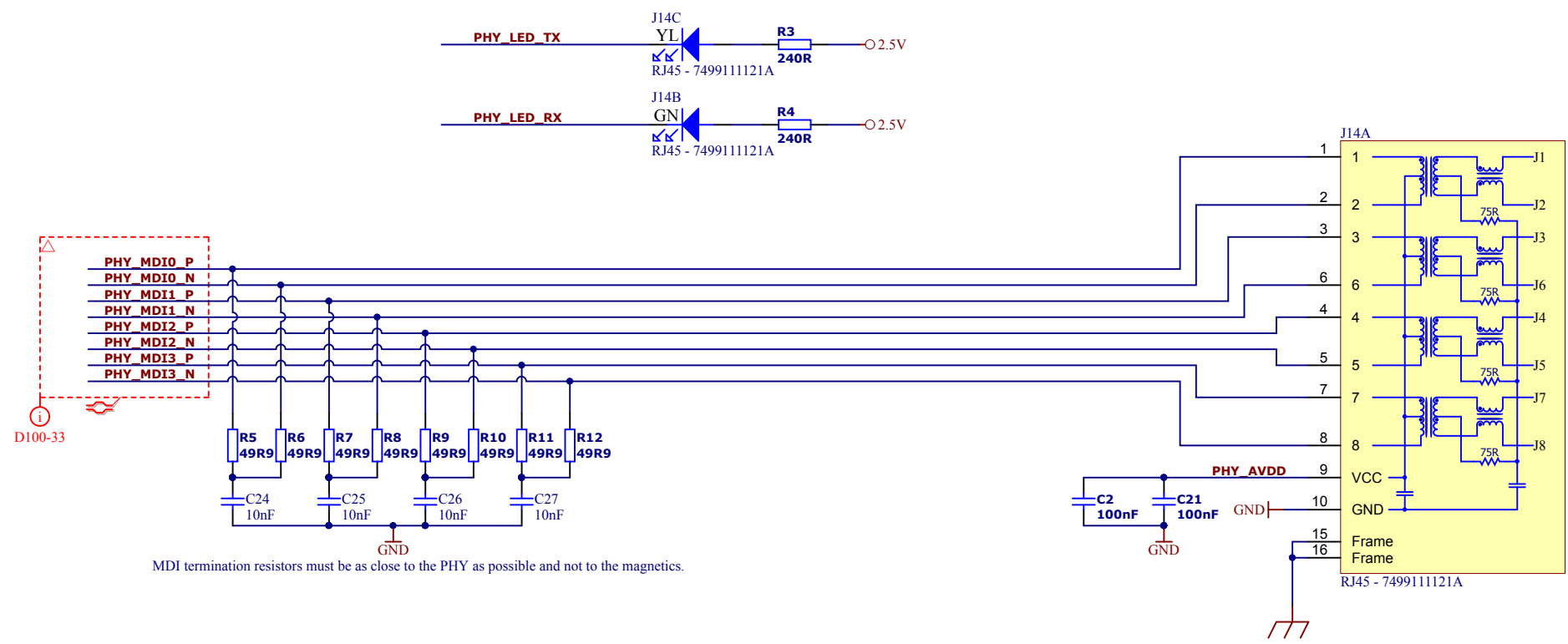
Title: TE0603 Header Baseboard for TE0600 Module		
A4	Number: TE0603 TE0603-03NP	Rev. 03
Date: 03.07.2013	Copyright: Trenz Electronic GmbH	Page1 of 4
Filename: Main.SchDoc		



VCCIO0 = 3.3V for PMOD Slots to be usable



Title: Header Baseboard - Headers			
A4	Number: TE0603 TE0603-03NP	Rev. 03	
Date: 03.07.2013	Copyright: Trenz Electronic GmbH	Page2 of 4	
Filename: Connector.SchDoc			



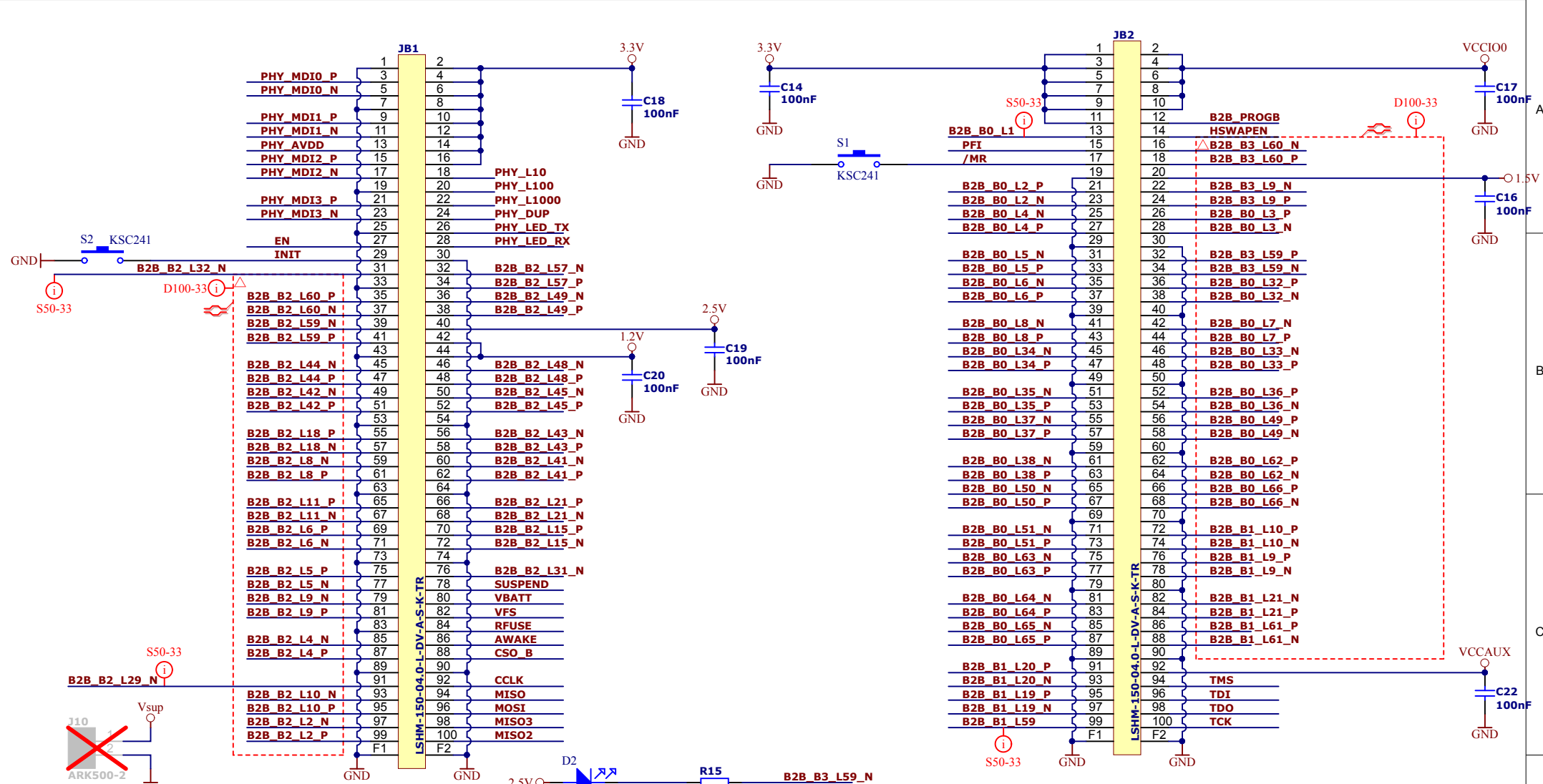
Title: Ethernet		
A4	Number: TE0603 TE0603-03NP	Rev. 03
Date: 03.07.2013	Copyright: Trenz Electronic GmbH	Page3 of 4
Filename: Ethernet.SchDoc		

A

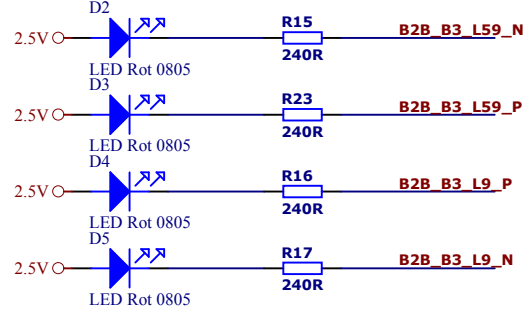
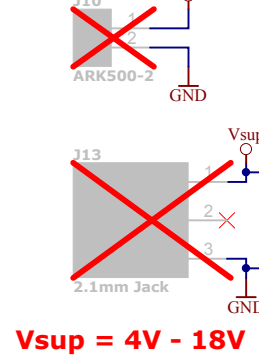
B

C

D



Att. when using these lines, B1 + B3 VCCIO = 1.5V



Title: Header Baseboard - B2B connectors		
A4	Number: TE0603 TE0603-03NP	Rev. 03
Date: 03.07.2013	Copyright: Trenz Electronic GmbH	Page4 of 4
Filename: Signals.SchDoc		