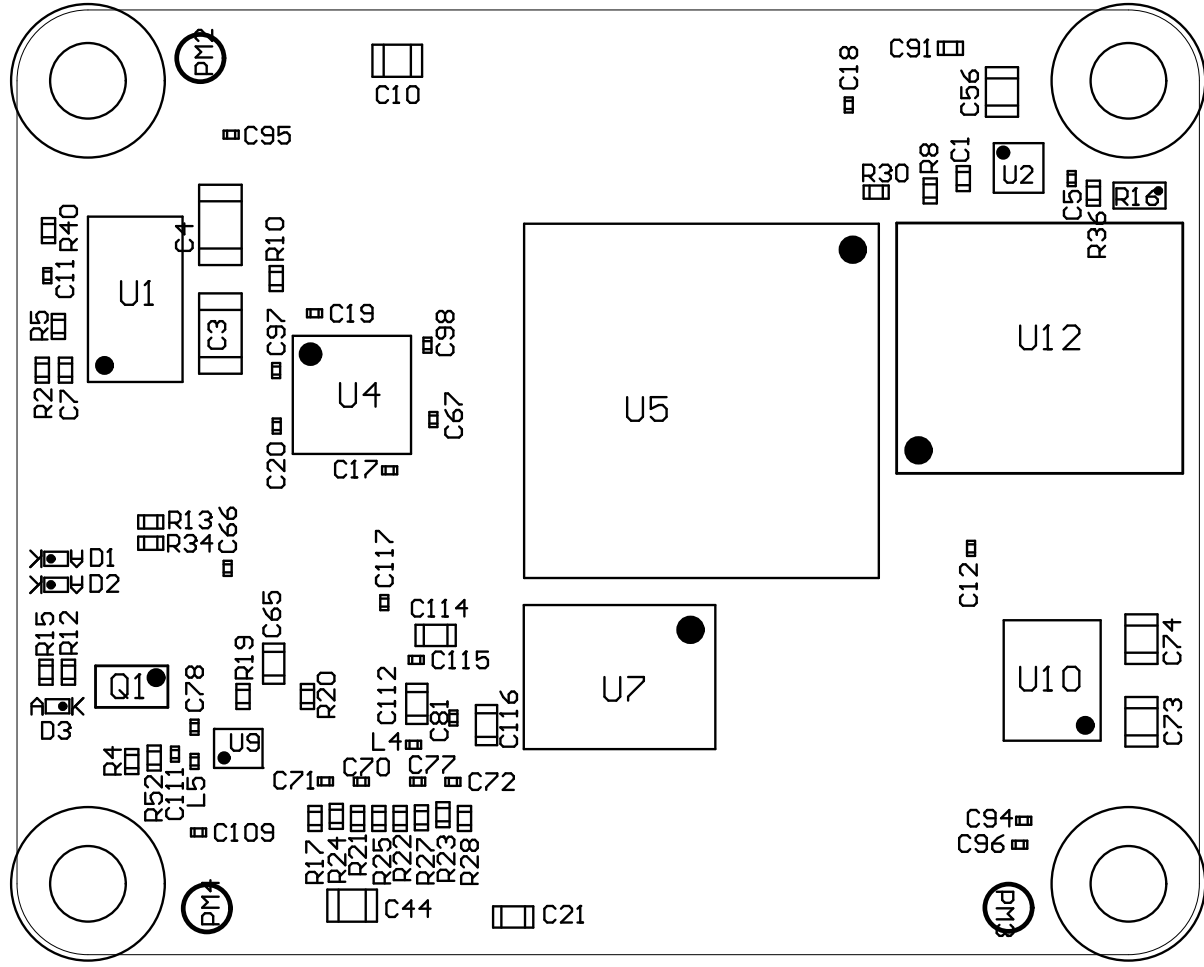
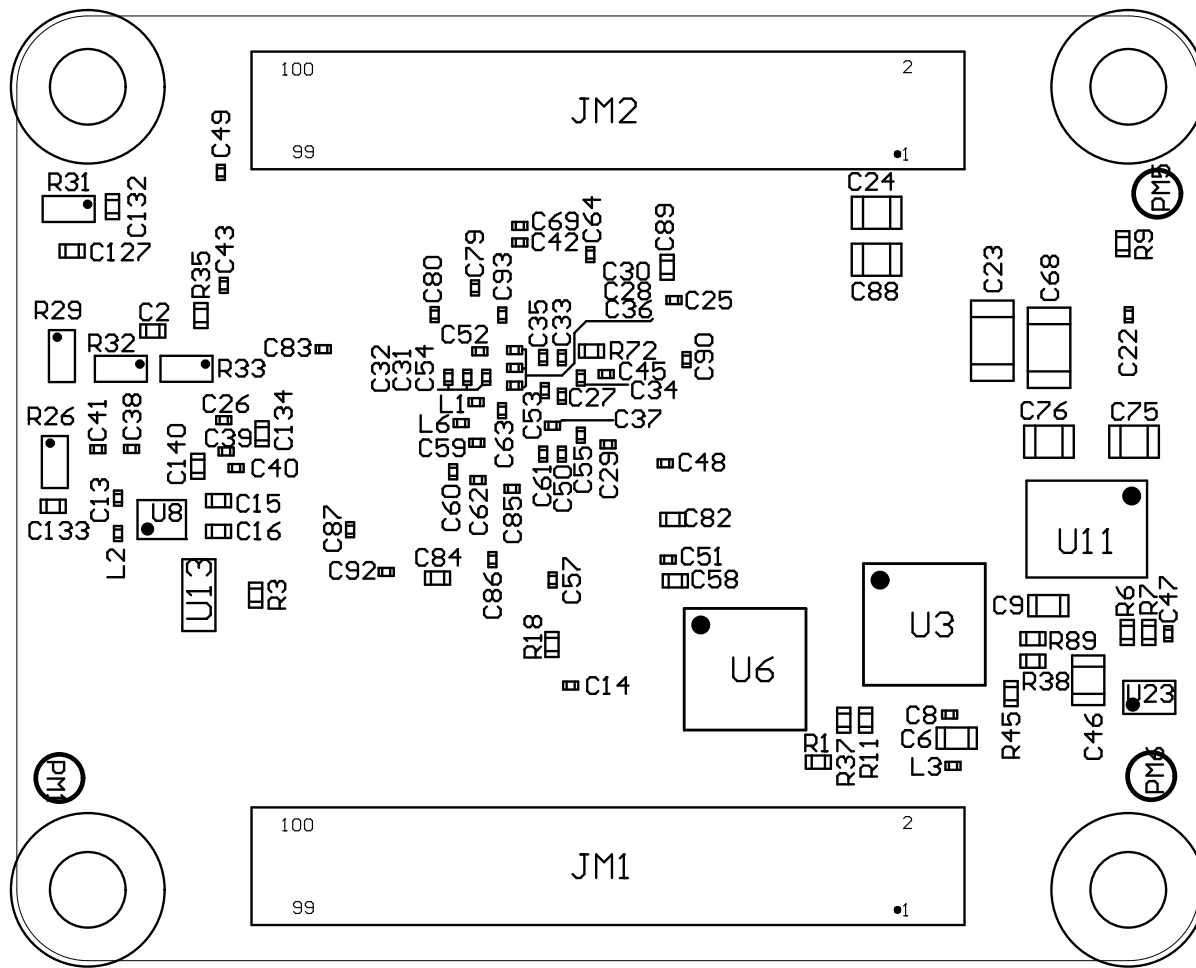
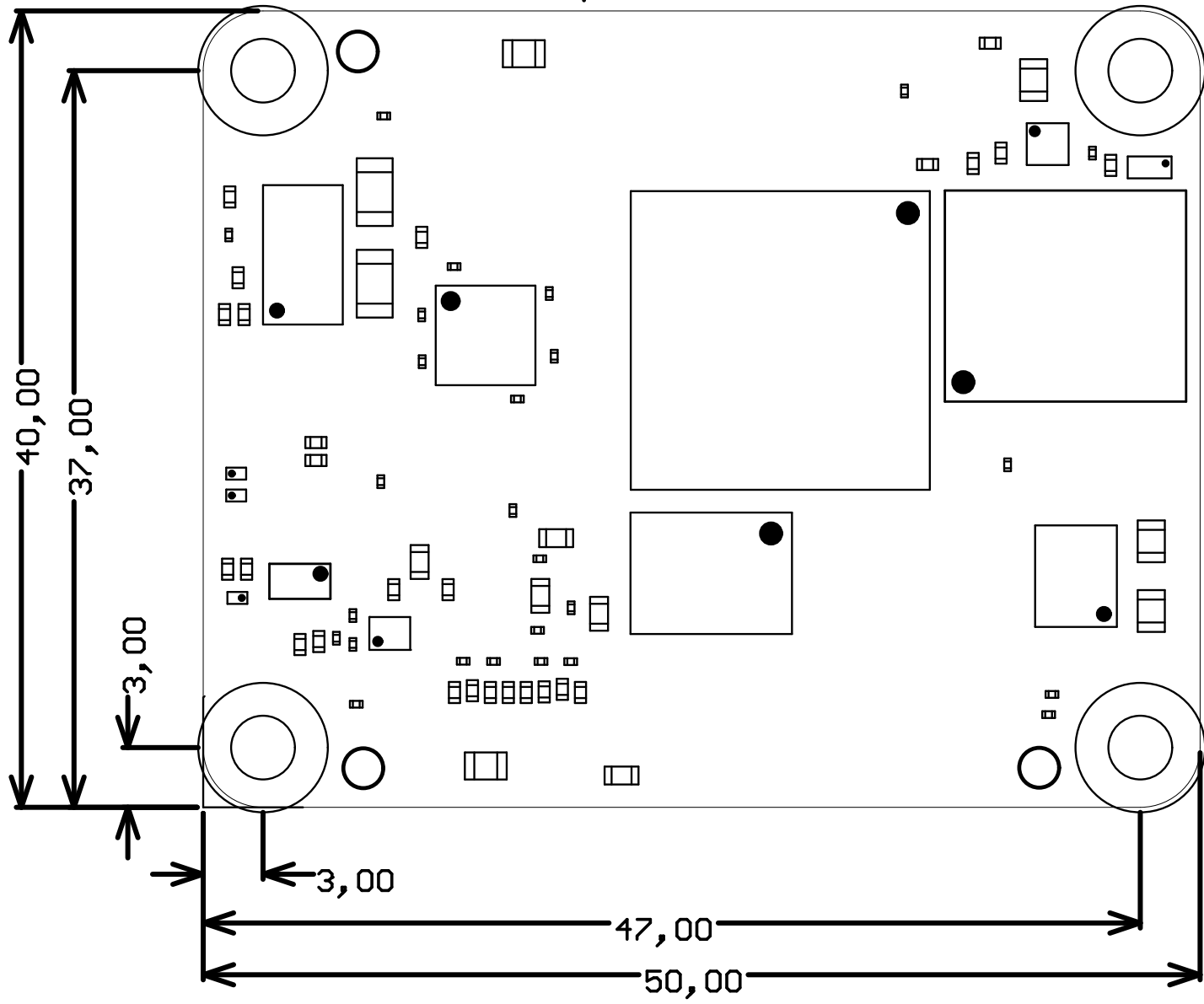


# Top View



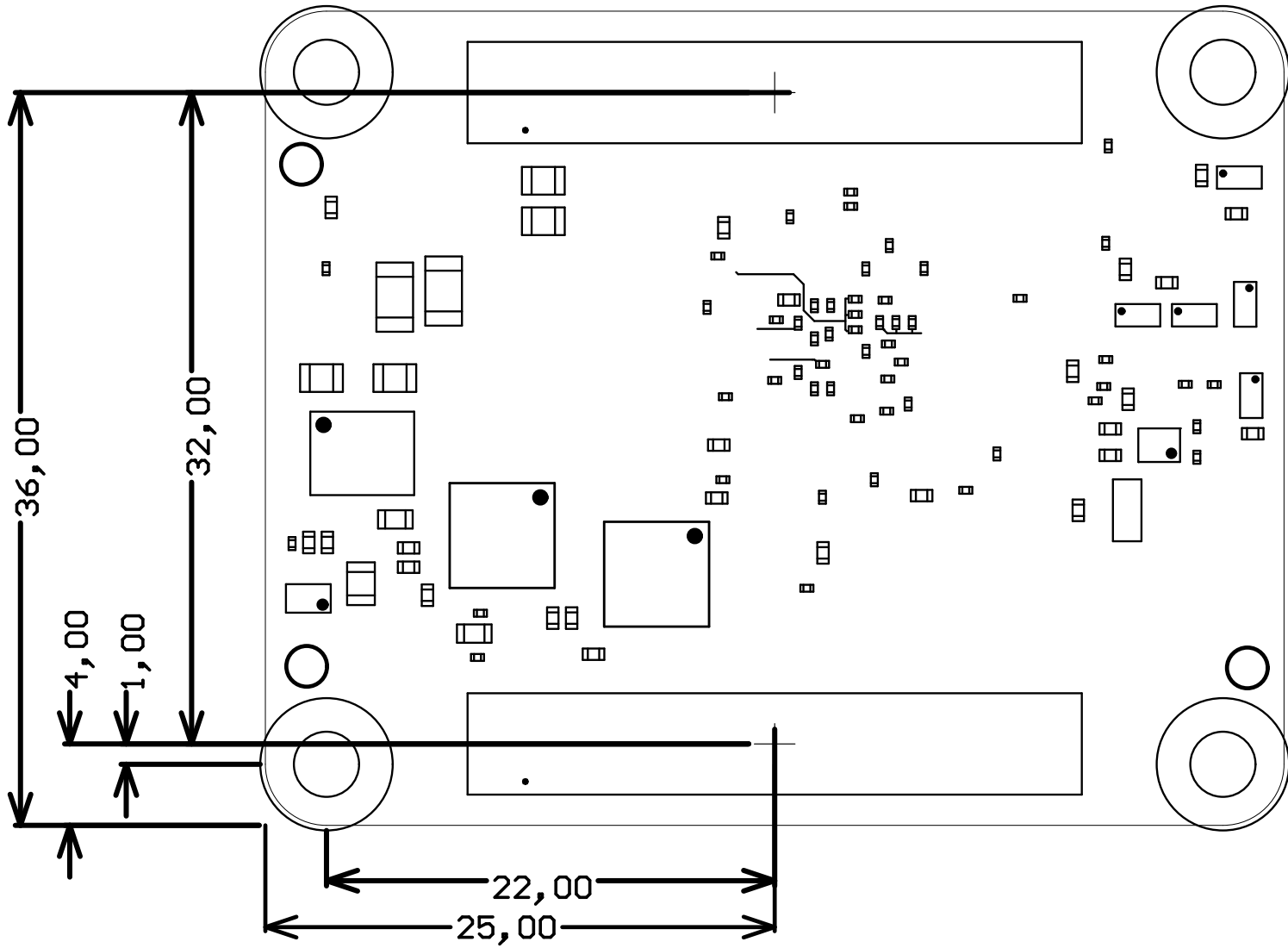


# Top View



Mounting Holes

# Bottom View



Samtec Connectors