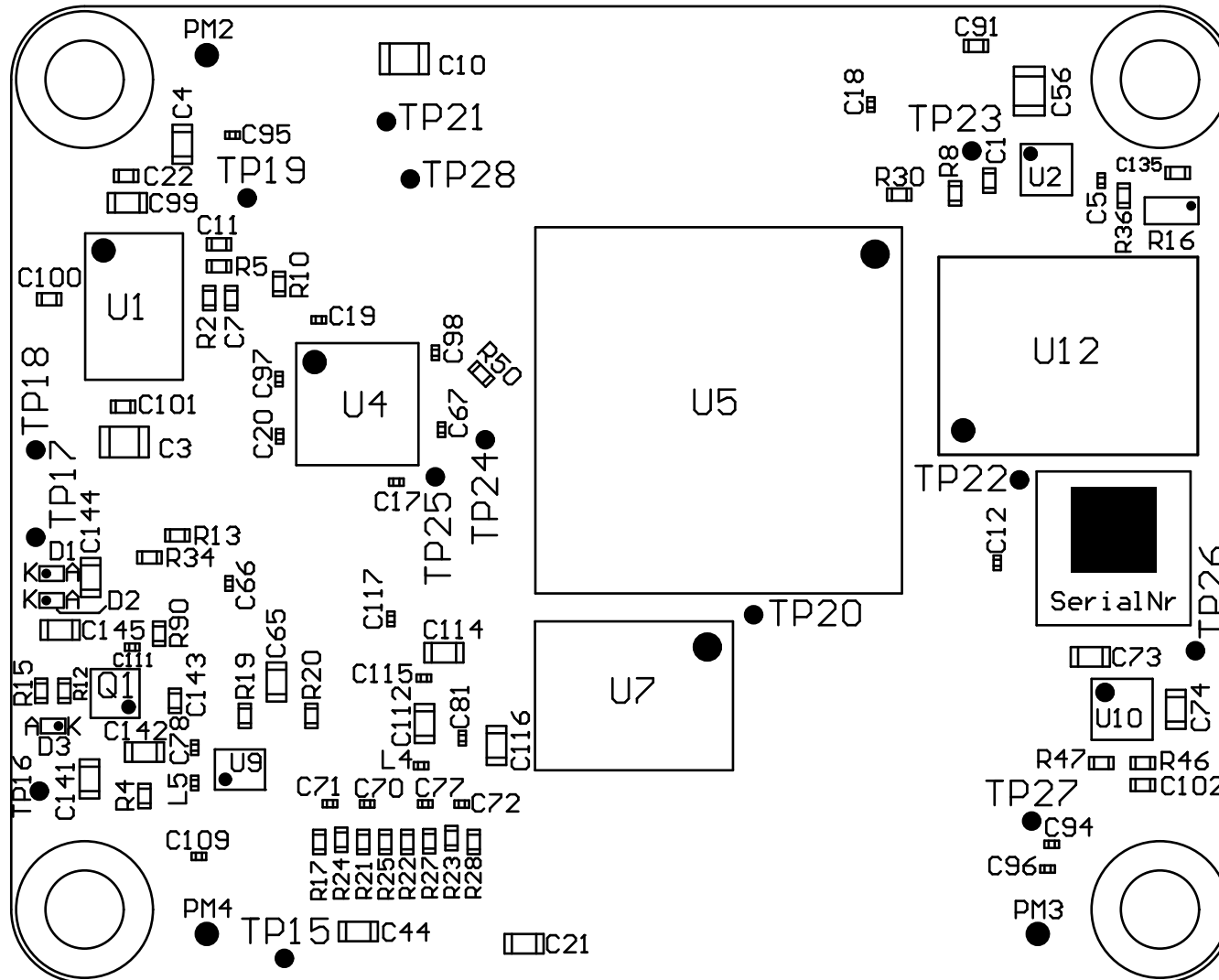


Variant name: TE0710-03-42121-A

Top View



Variant name: TE0710-03-42121-A

Bottom View

