

U_FPGA_PWR_MISC
FPGA_PWR_MISC.SchDoc

U_FPGA_CFG
FPGA_CFG.SchDoc

U_B14_B16
B14_B16.SchDoc

U_B15
B15.SchDoc

U_B34
B34.SchDoc

U_B35
B35.SchDoc

U_SystemController
SystemController.SchDoc

U_FTDI
FTDI.SchDoc

U_POWER
POWER.SchDoc

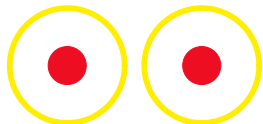
U_B2B_Connector
B2B_Connector.SchDoc

LOGO1

TE Logo PRINT Layer

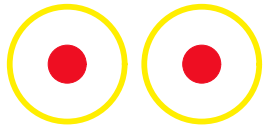
LOGO PRINT

Top of Board



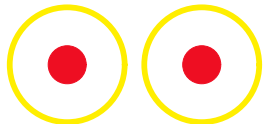
PM1

PM2



PM4

PM5



PM6

PM3



Screw M3x4

Distance Holder M3x8

Screw M3x6

Screw M3x4

Distance Holder M3x8

Screw M3x6

Screw M3x4

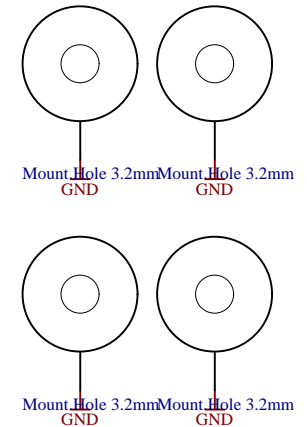
Distance Holder M3x8

Screw M3x6

Screw M3x4

Distance Holder M3x8

Screw M3x6

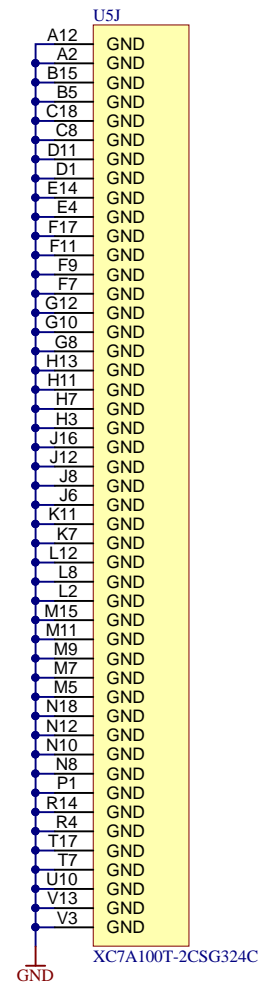
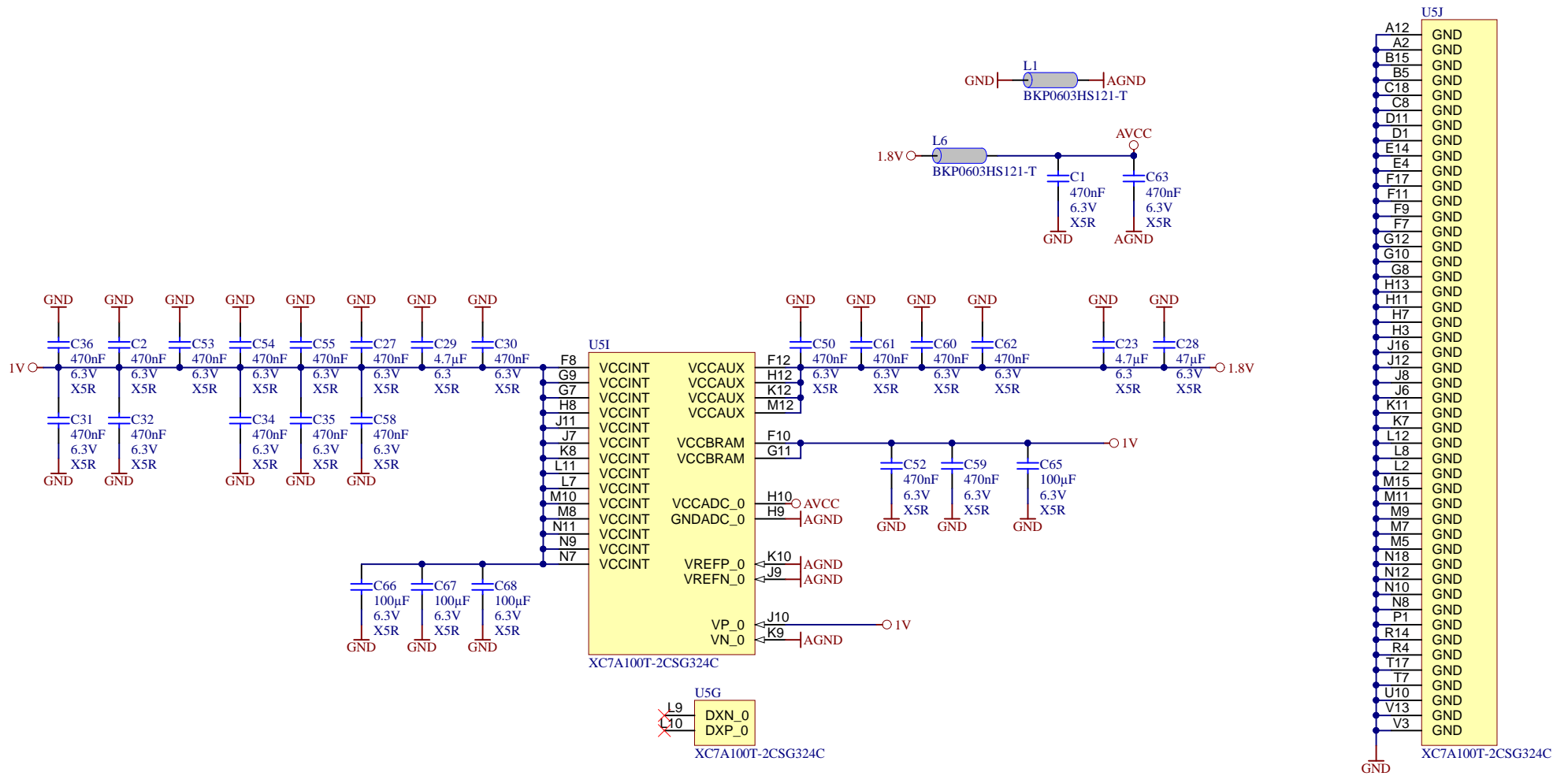



Mount_Hole 3.2mm GND Mount_Hole 3.2mm GND

Mount_Hole 3.2mm GND Mount_Hole 3.2mm GND



Title: TE0711		
A4	Number: TE0711 TE0711-100-2C	Rev. 01
Date: 2015-01-02	Copyright: Trenz Electronic GmbH / TT	Page 1 of 13
Filename: TE0711.SchDoc		



			Title: TE0711	
			A4	Number: TE0711 TE0711-100-2C
Date: 2015-01-02		Copyright: Trenz Electronic GmbH / TT		Page2 of 13
Filename: FPGA_PWR_MISC.SchDoc				

1

2

3

4

A

A

B

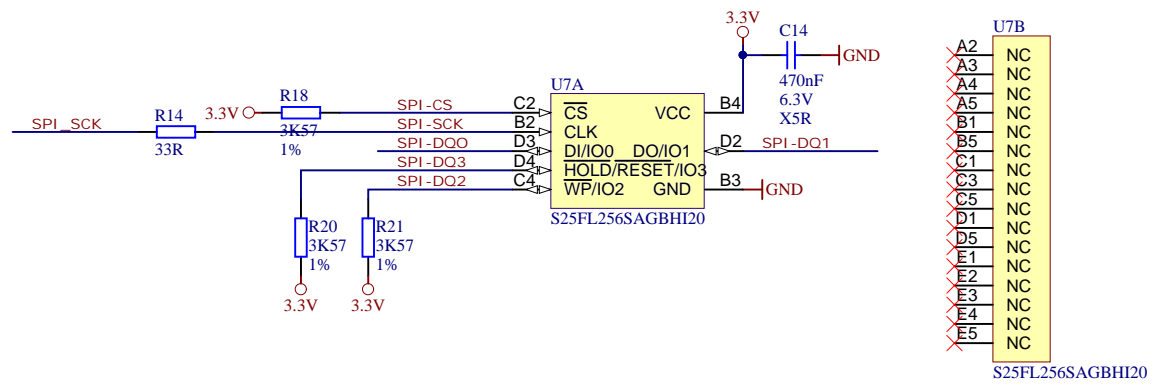
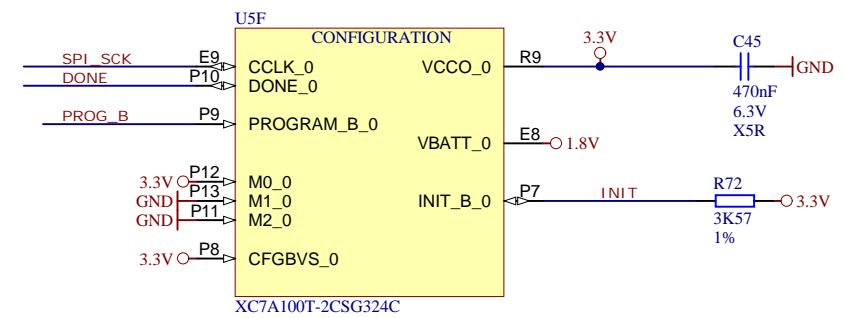
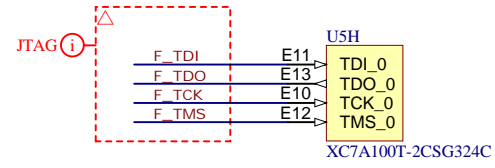
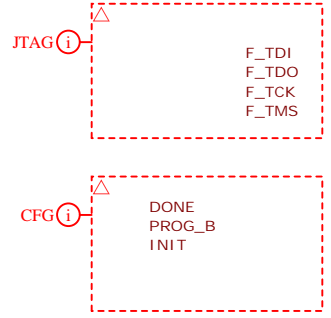
B


C

C

D

D



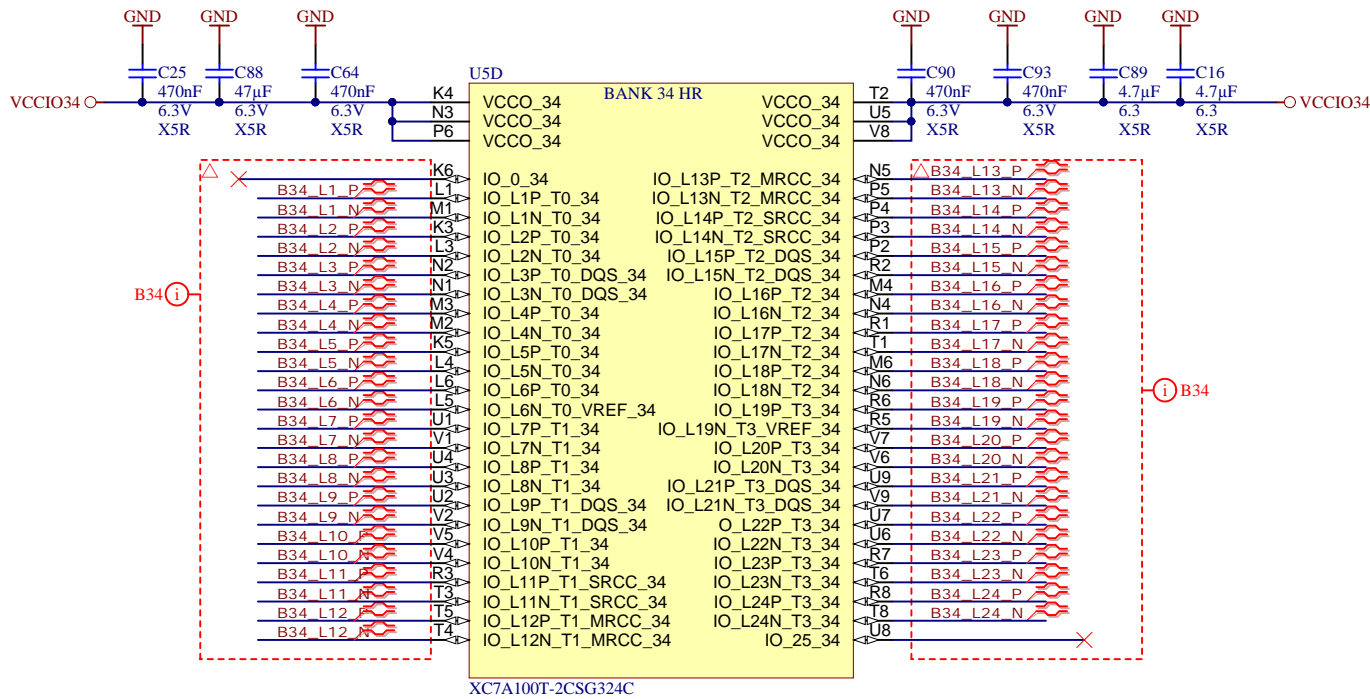
		Title: TE0711	
		A4	Number: TE0711 TE0711-100-2C
Date: 2015-01-02		Copyright: Trenz Electronic GmbH / TT	
Filename: FPGA_CFG.SchDoc		Page 3 of 13	

1

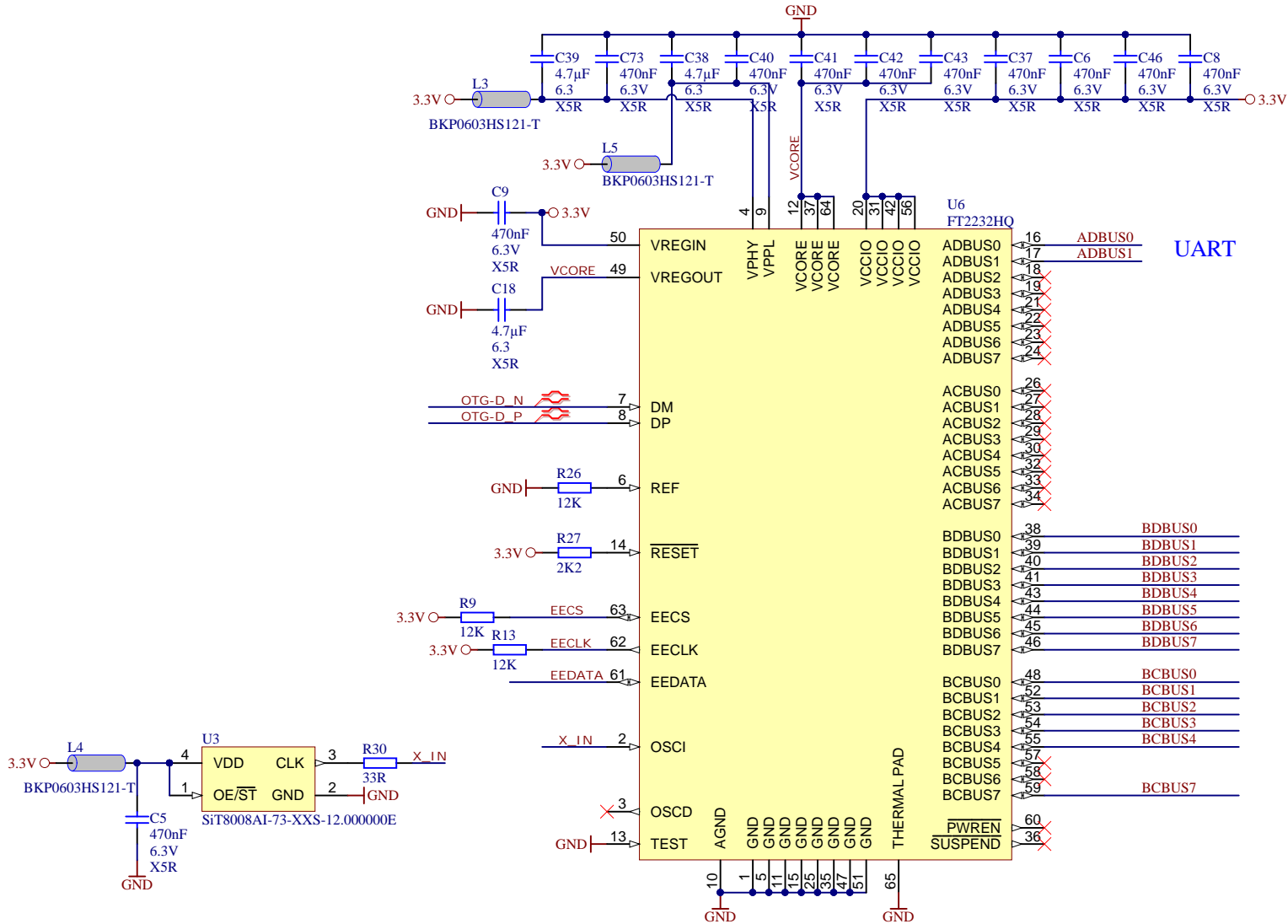
2

3

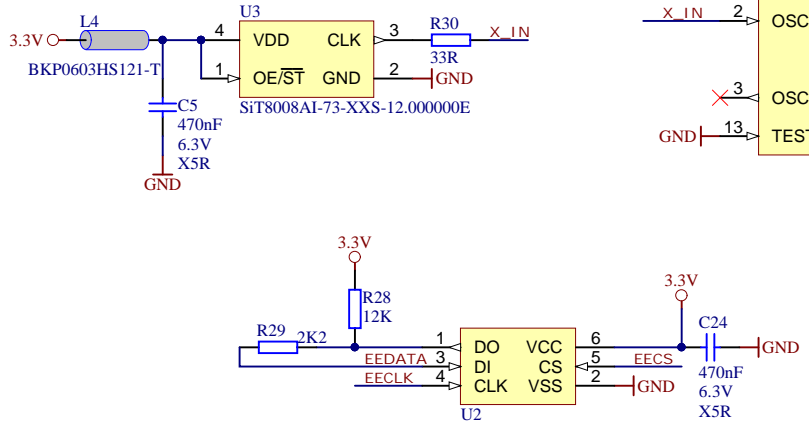
4



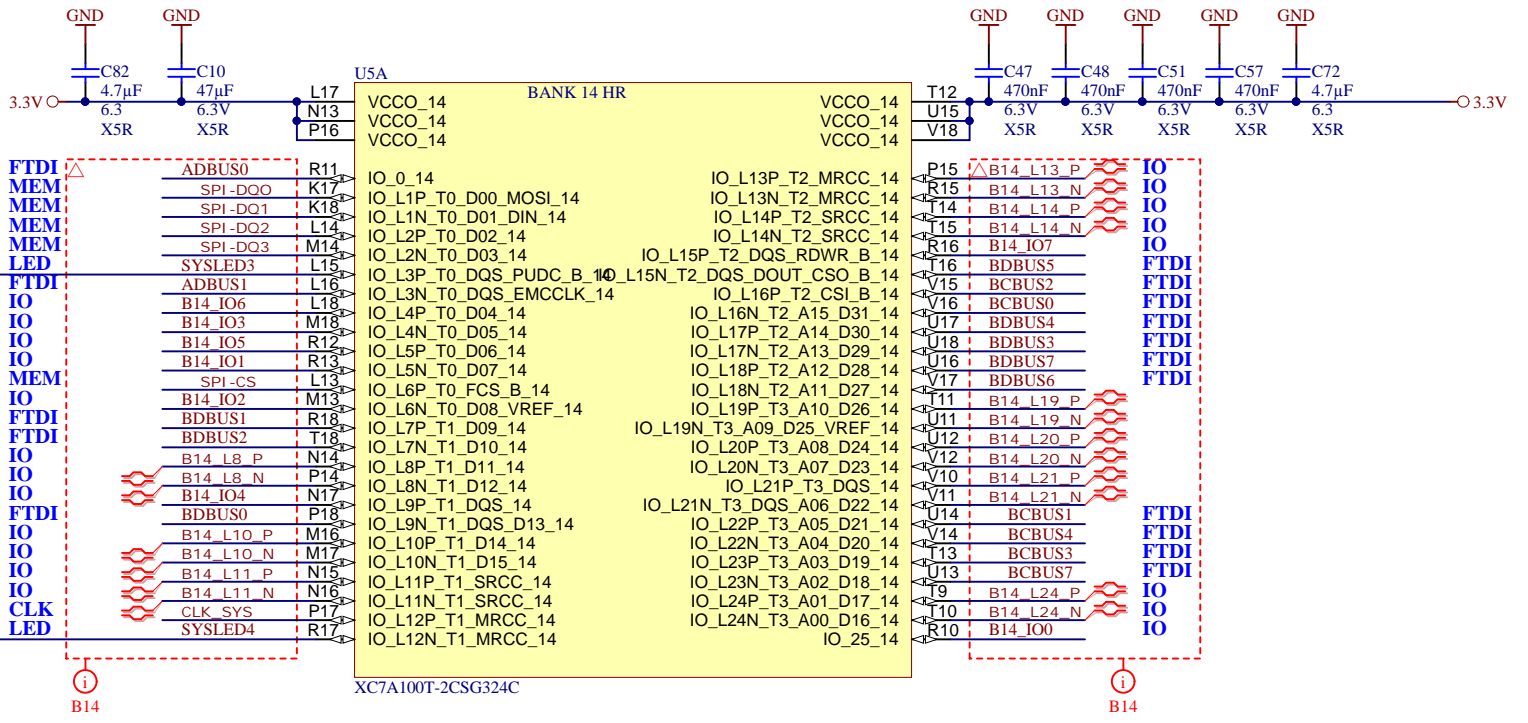
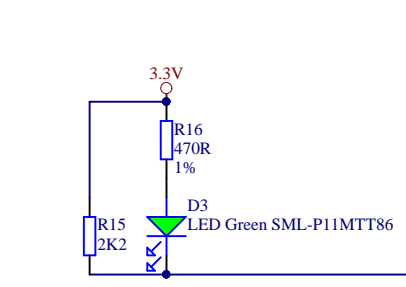
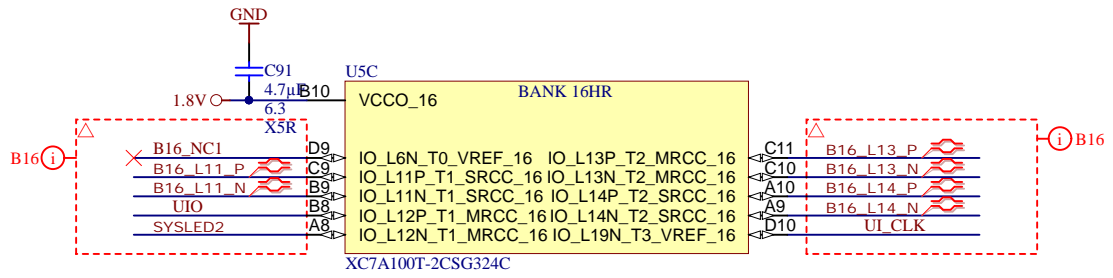
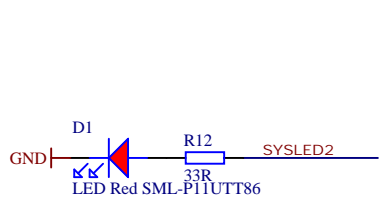
Title: TE0711		
A4	Number: TE0711 TE0711-100-2C	Rev. 01
Date: 2015-01-02	Copyright: Trenz Electronic GmbH / TT	Page 4 of 13
Filename: B34.SchDoc		



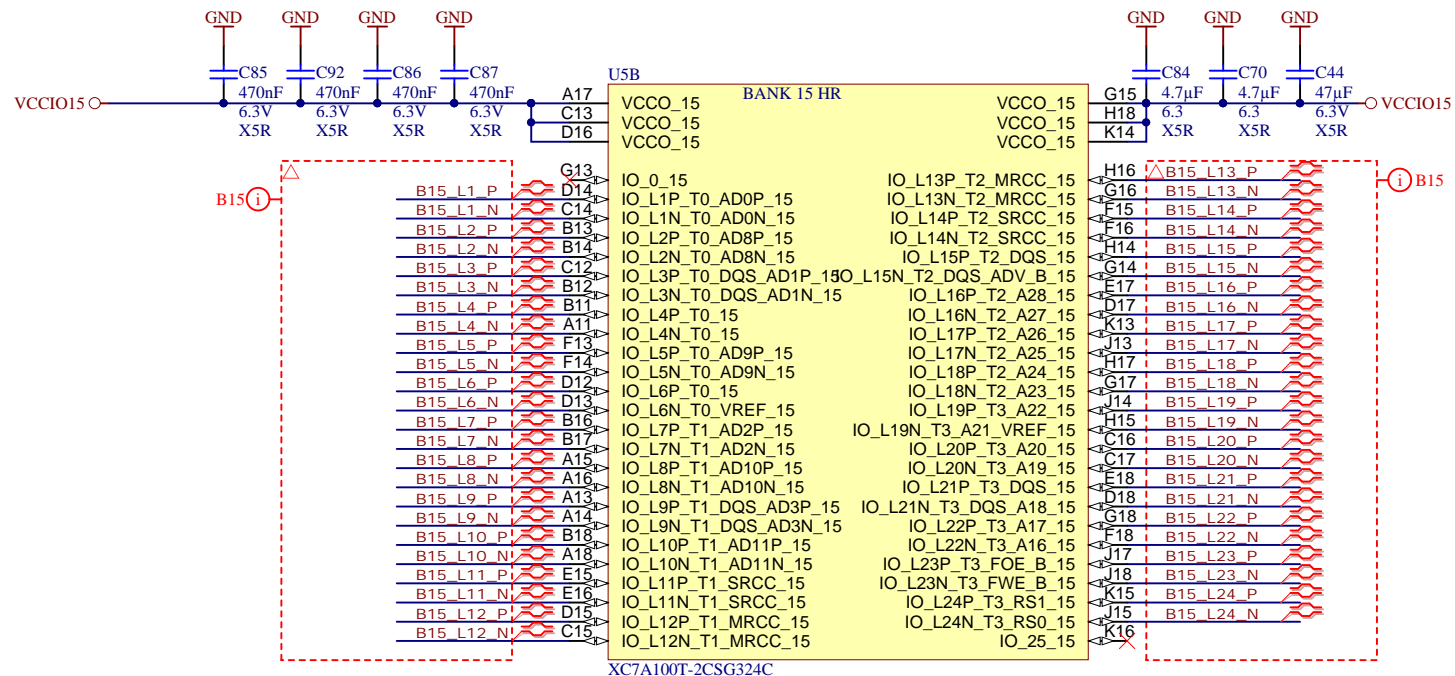
UART



Title: TE0711		
A4	Number: TE0711 TE0711-100-2C	Rev. 01
Date: 2015-01-02	Copyright: Trenz Electronic GmbH	Page 7 of 12
Filename: FTDI.SchDoc		



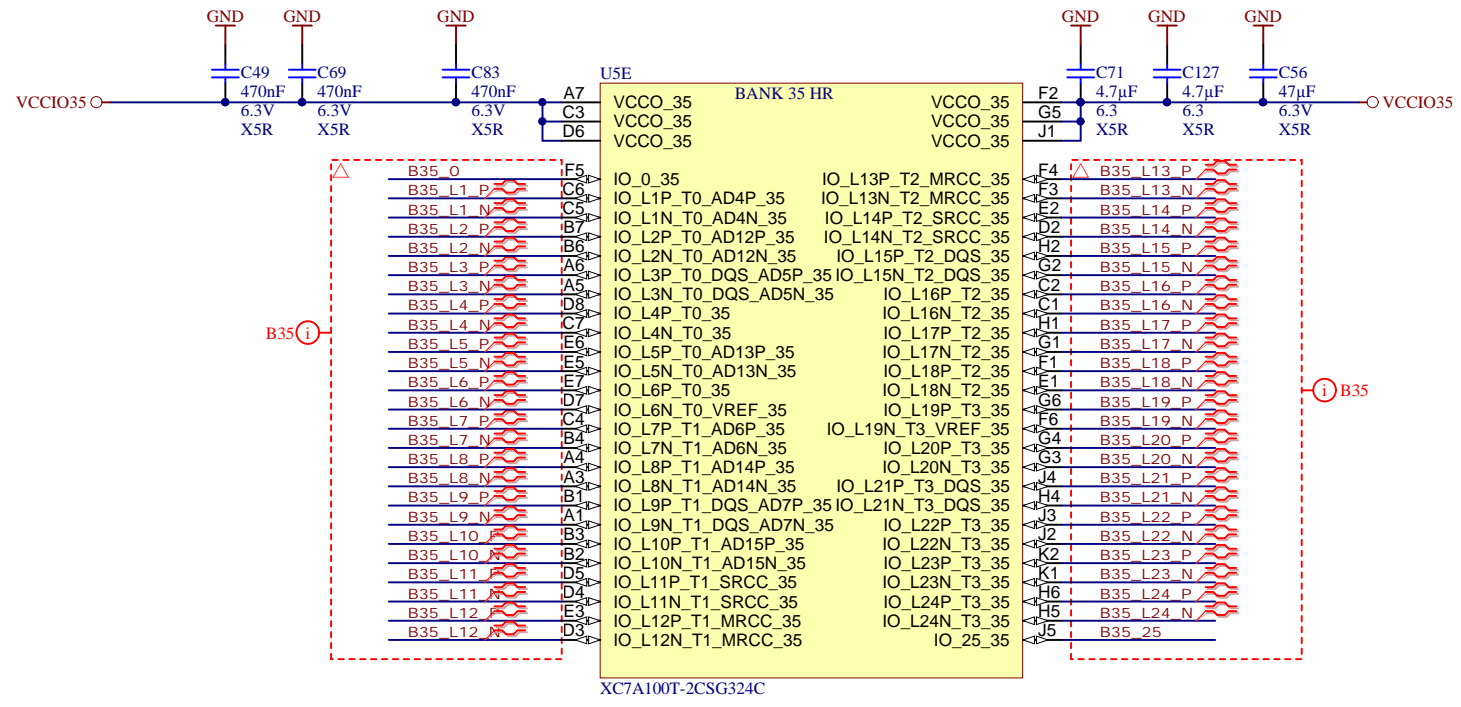

Title: TE0711		Rev. 01	
A4	Number: TE0711 TE0711-100-2C	Page 7 of 13	
Date: 2015-01-02	Copyright: Trenz Electronic GmbH / TT	Page 7 of 13	
Filename: B14_B16.SchDoc			



XC7A100T-2CSG324C



Title: TE0711		
A4	Number: TE0711 TE0711-100-2C	Rev. 01
Date: 2015-01-02	Copyright: Trenz Electronic GmbH / TT	Page8 of 13
Filename: B15.SchDoc		

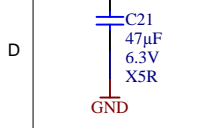
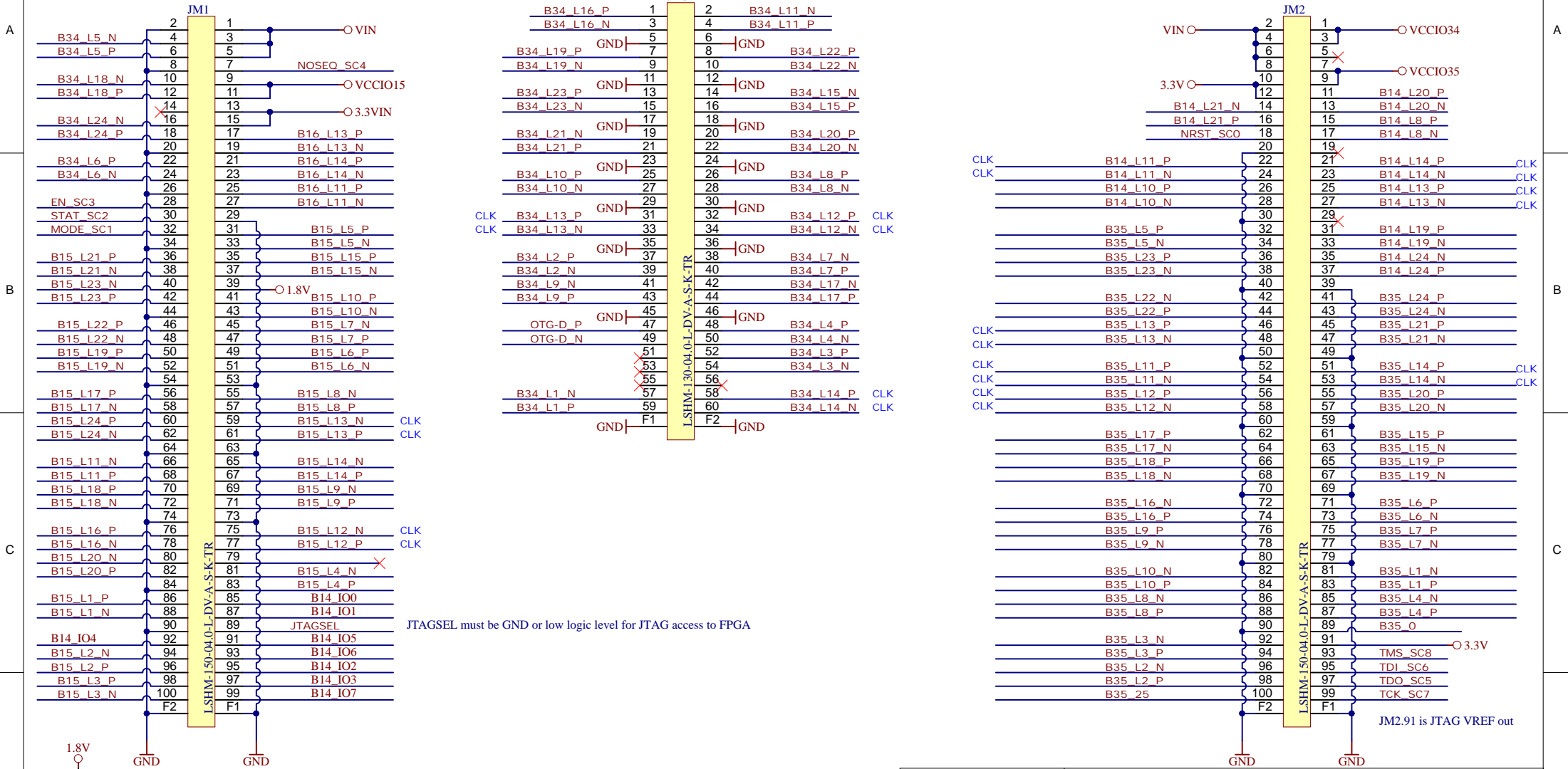




Title: TE0711		
A4	Number: TE0711 TE0711-100-2C	Rev. 01
Date: 2015-01-02	Copyright: Trenz Electronic GmbH / TT	Page9 of 13
Filename: B35.SchDoc		

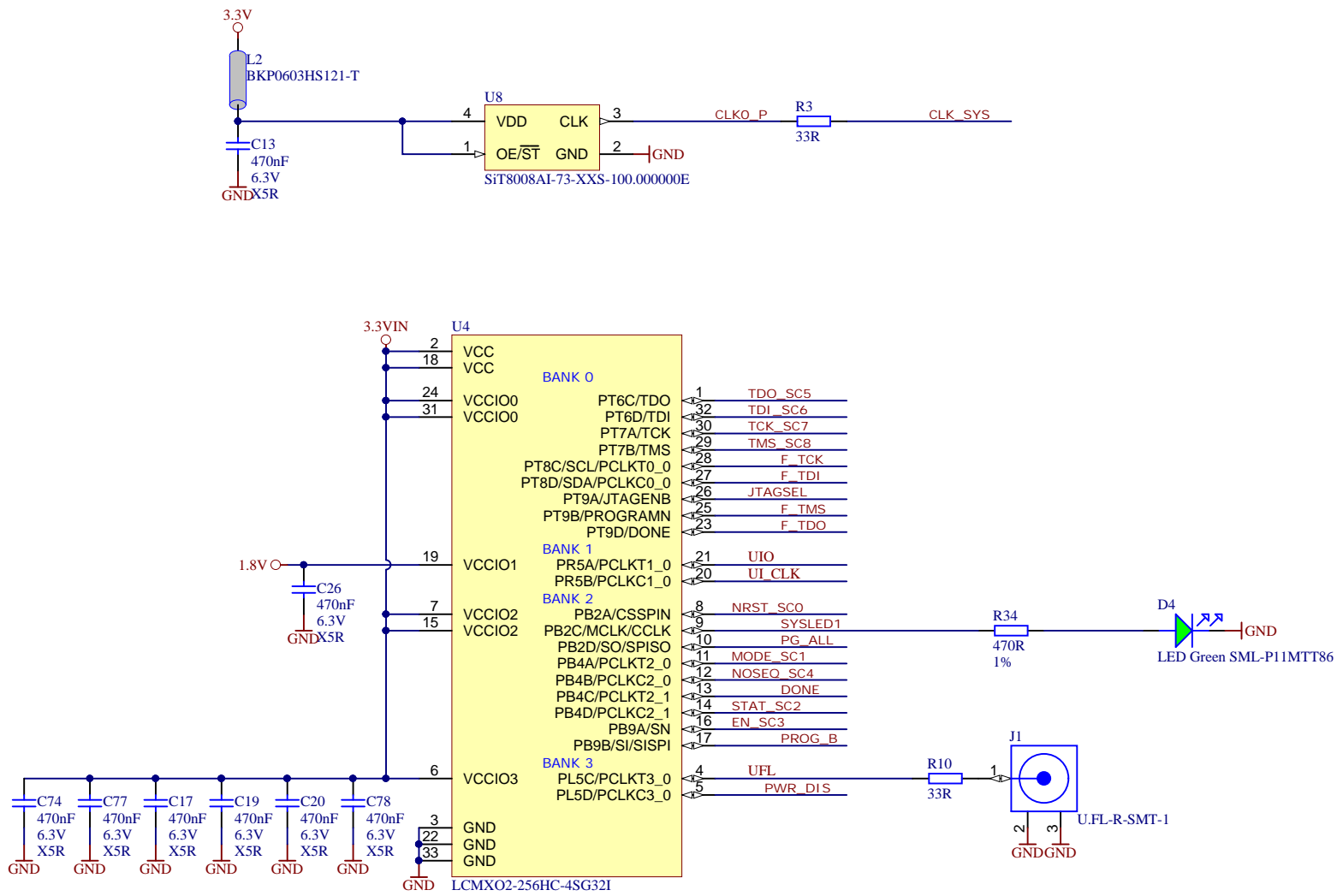
B16 6 Pins: 3 Differential ; 1.8V Fixed VCCIO
 B15: 48 Pins: 24 Differential; variable VCCIO
 B34: 8 Pins: 4 Differential; variable VCCIO
 B14: 8 Pins: 8 Single ended; 3.3V Fixed VCCIO

B34: 40 Pins: 20 Differential; variable VCCIO
 USB Device

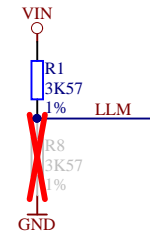
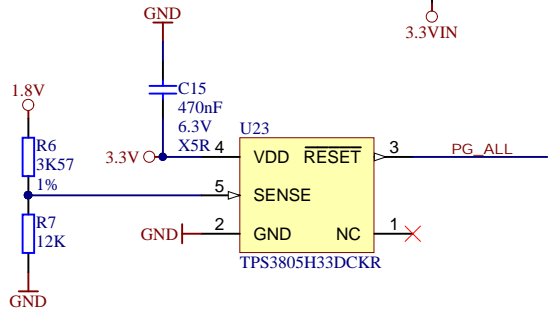
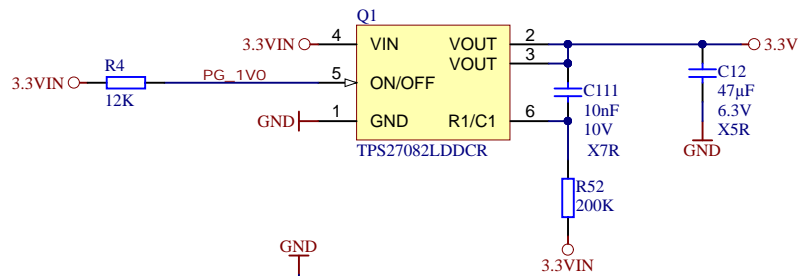
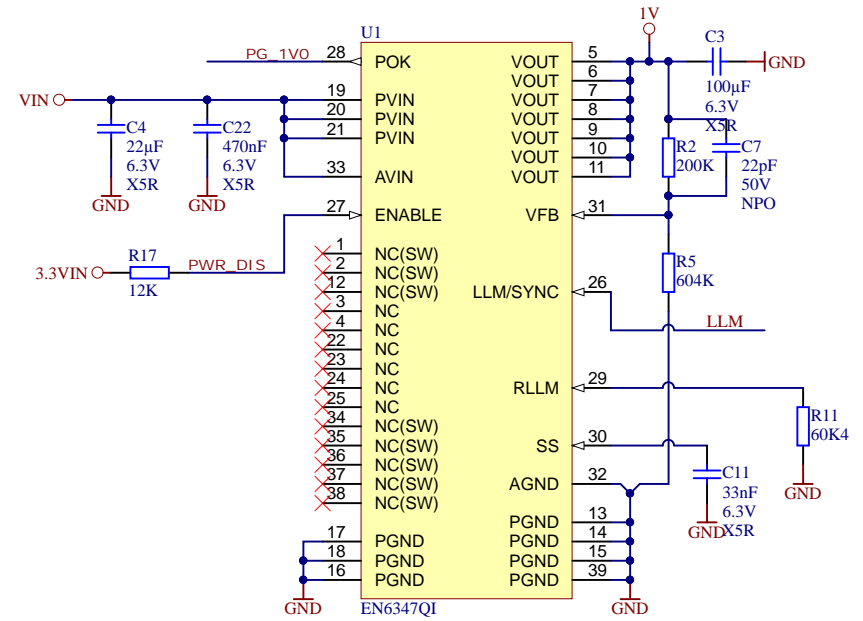
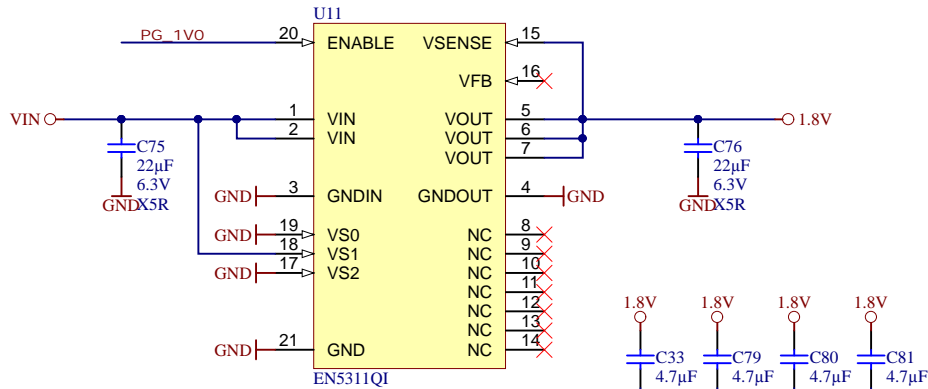
B35: 50 Pins: 24 Differential; variable VCCIO
 B14: 18 Pins: 9 Differential; 3.3V Fixed VCCIO
 JTAG: 3.3V Levels




			Title: TE0711	
			A4	Number: TE0711 TE0711-100-2C
Date: 2015-01-02		Copyright: Trenz Electronic GmbH / TT		Page 11 of 13
Filename: B2B_Connector.SchDoc				



Title: TE0711		
A4	Number: TE0711 TE0711-100-2C	Rev. 01
Date: 2015-01-02	Copyright: Trenz Electronic GmbH	Page 12 of 13
Filename: SystemController.SchDoc		



		Title: TE0711	
		A4	Number: TE0711 TE0711-100-2C
Date: 2015-01-02		Copyright: Trenz Electronic GmbH	
Filename: POWER.SchDoc		Page 13 of 13	