

U_FPGA_PWR_MISC
FPGA_PWR_MISC.SchDoc

U_FPGA_CFG
FPGA_CFG.SchDoc

U_B14_B16
B14_B16.SchDoc

U_B15
B15.SchDoc

U_B34
B34.SchDoc

U_B35
B35.SchDoc

U_SystemController
SystemController.SchDoc

U_FTDI
FTDI.SchDoc

U_POWER
POWER.SchDoc

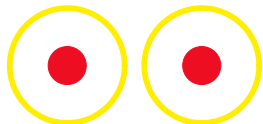
U_B2B_Connector
B2B_Connector.SchDoc

LOGO1

TE Logo PRINT Layer

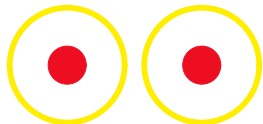
LOGO PRINT

Top of Board



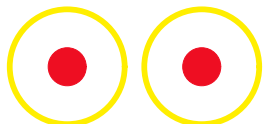
PM1

PM2



PM4

PM5



PM6

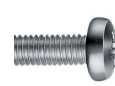
PM3



Screw M3x4



Distance Holder M3x8



Screw M3x6



Screw M3x4



Distance Holder M3x8



Screw M3x6



Screw M3x4



Distance Holder M3x8



Screw M3x6



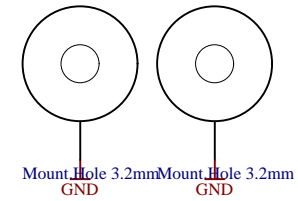
Screw M3x4



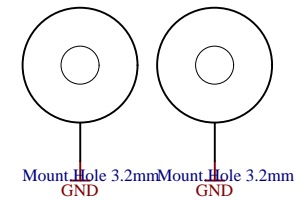
Distance Holder M3x8



Screw M3x6



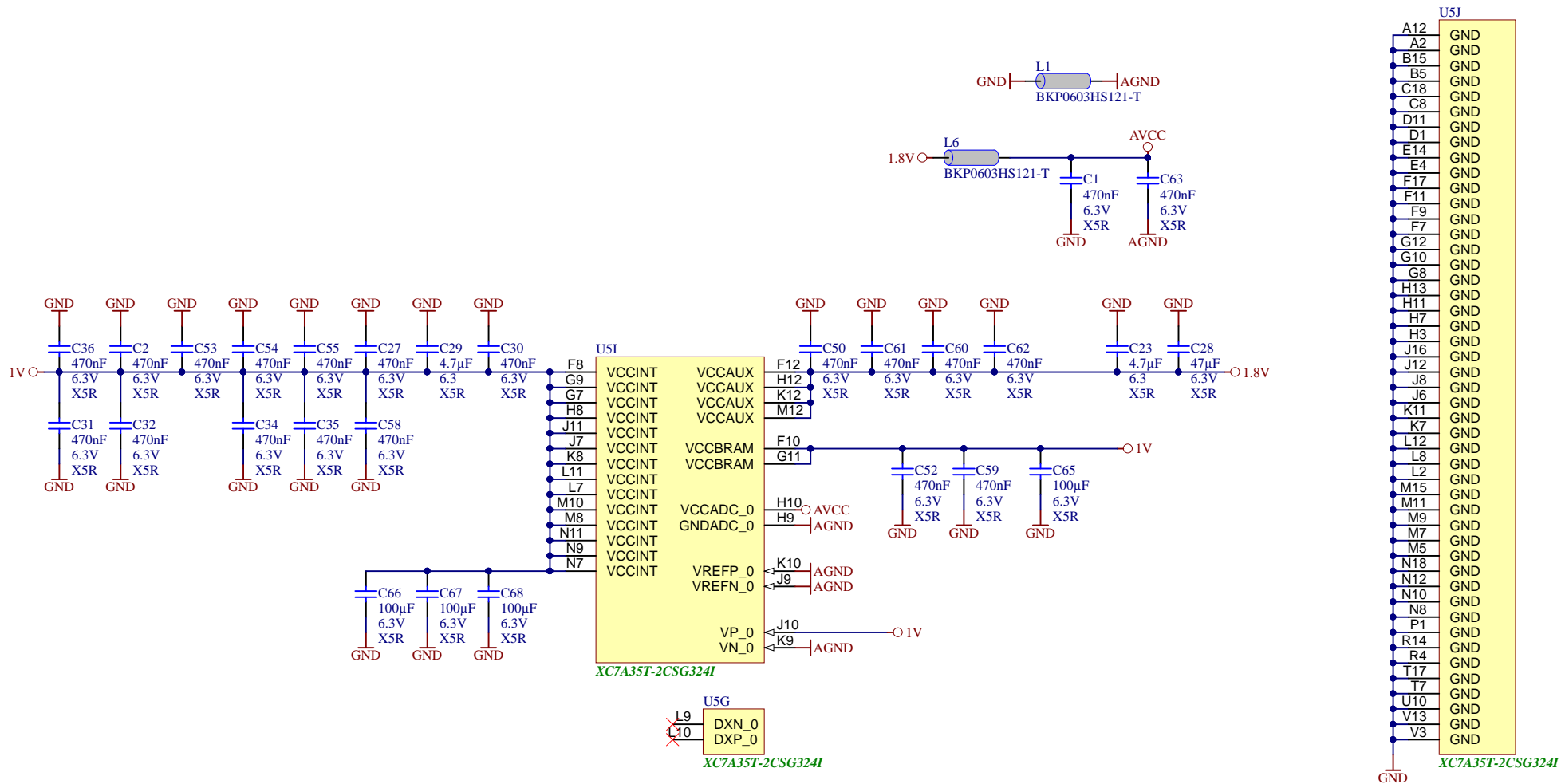
Mount_Hole 3.2mm GND



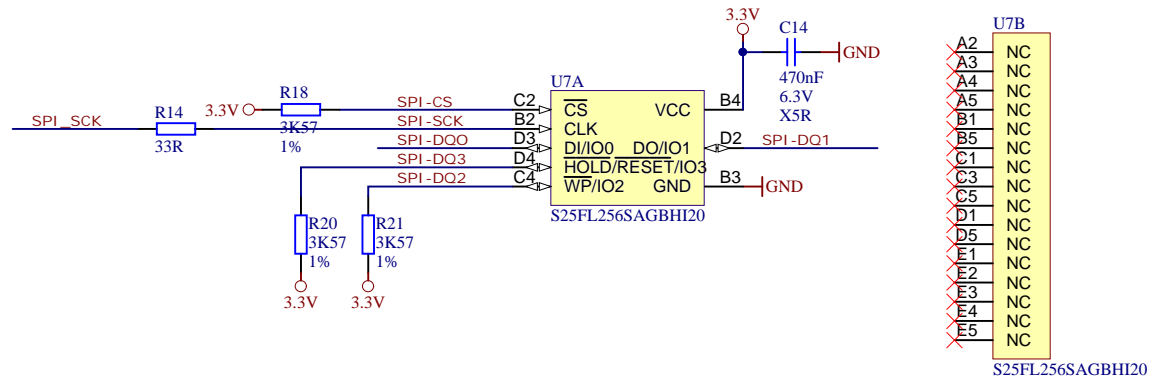
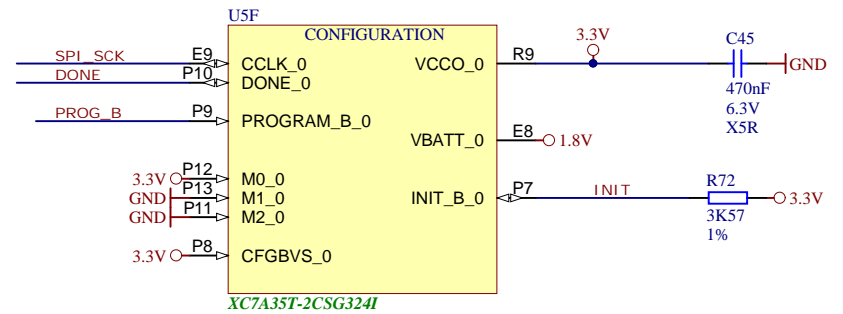
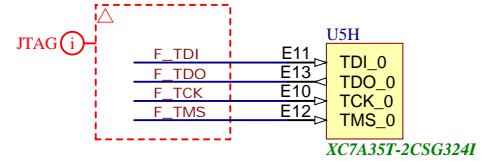
Mount_Hole 3.2mm GND



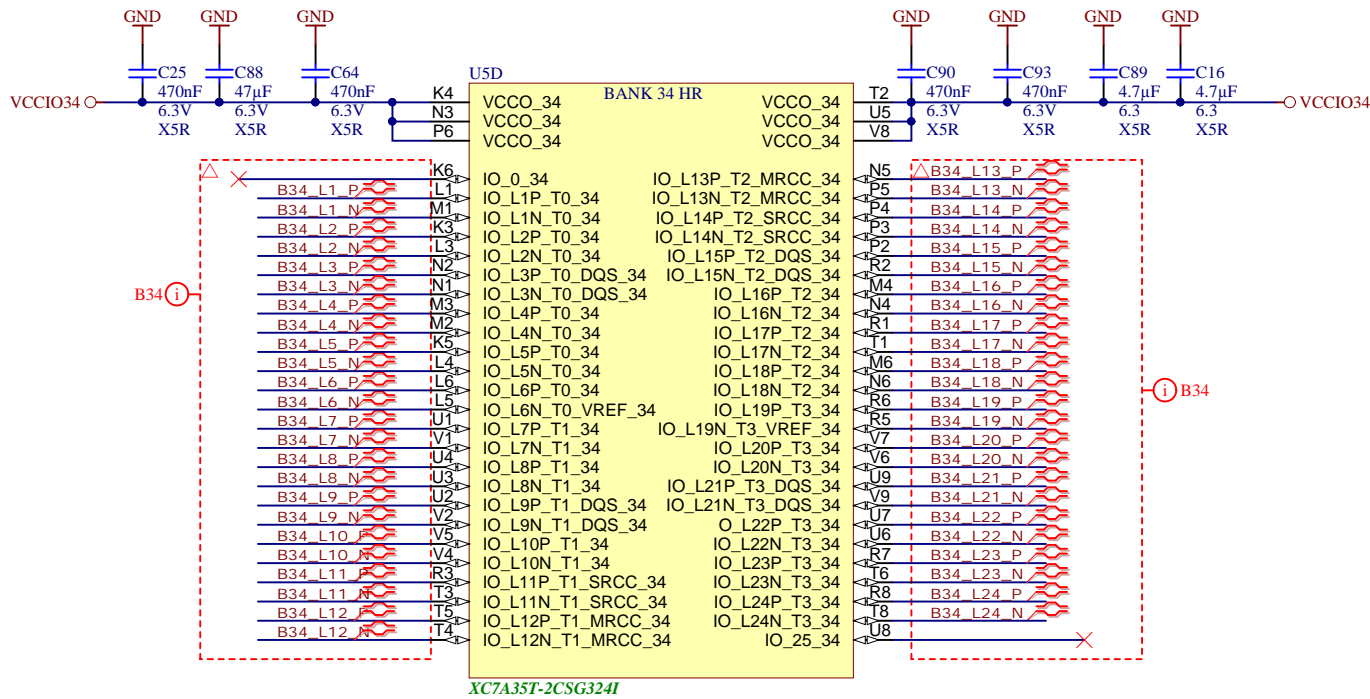
Title: TE0711		
A4	Number: TE0711 TE0711-35-2I	Rev. 01
Date: 2015-01-02	Copyright: Trenz Electronic GmbH / TT	Page 1 of 13
Filename: TE0711.SchDoc		



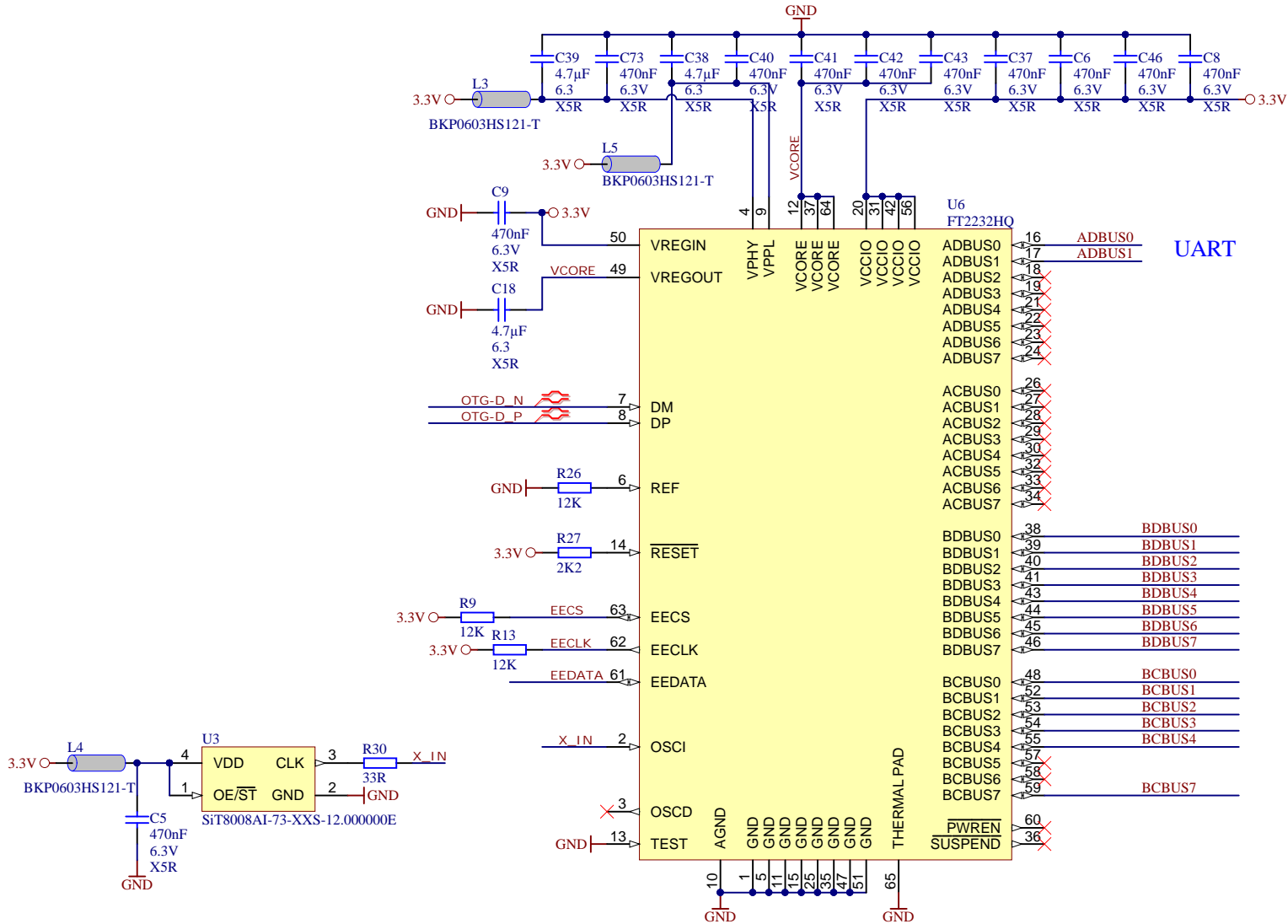
Title: TE0711		
A4	Number: TE0711 TE0711-35-2I	Rev. 01
Date: 2015-01-02	Copyright: Trenz Electronic GmbH / TT	Page2 of 13
Filename: FPGA_PWR_MISC.SchDoc		



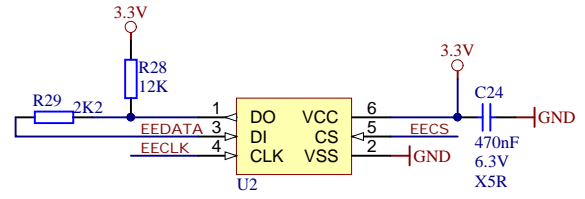
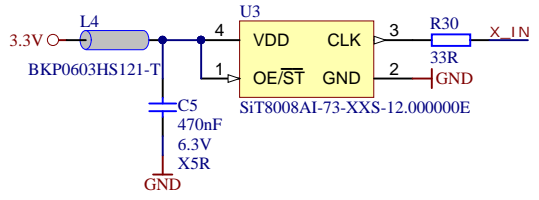
	Title: TE0711	
	A4	Number: TE0711 TE0711-35-2I
	Date: 2015-01-02	Copyright: Trenz Electronic GmbH / TT
	Page 3	of 13
Filename: FPGA_CFG.SchDoc		Rev. 01



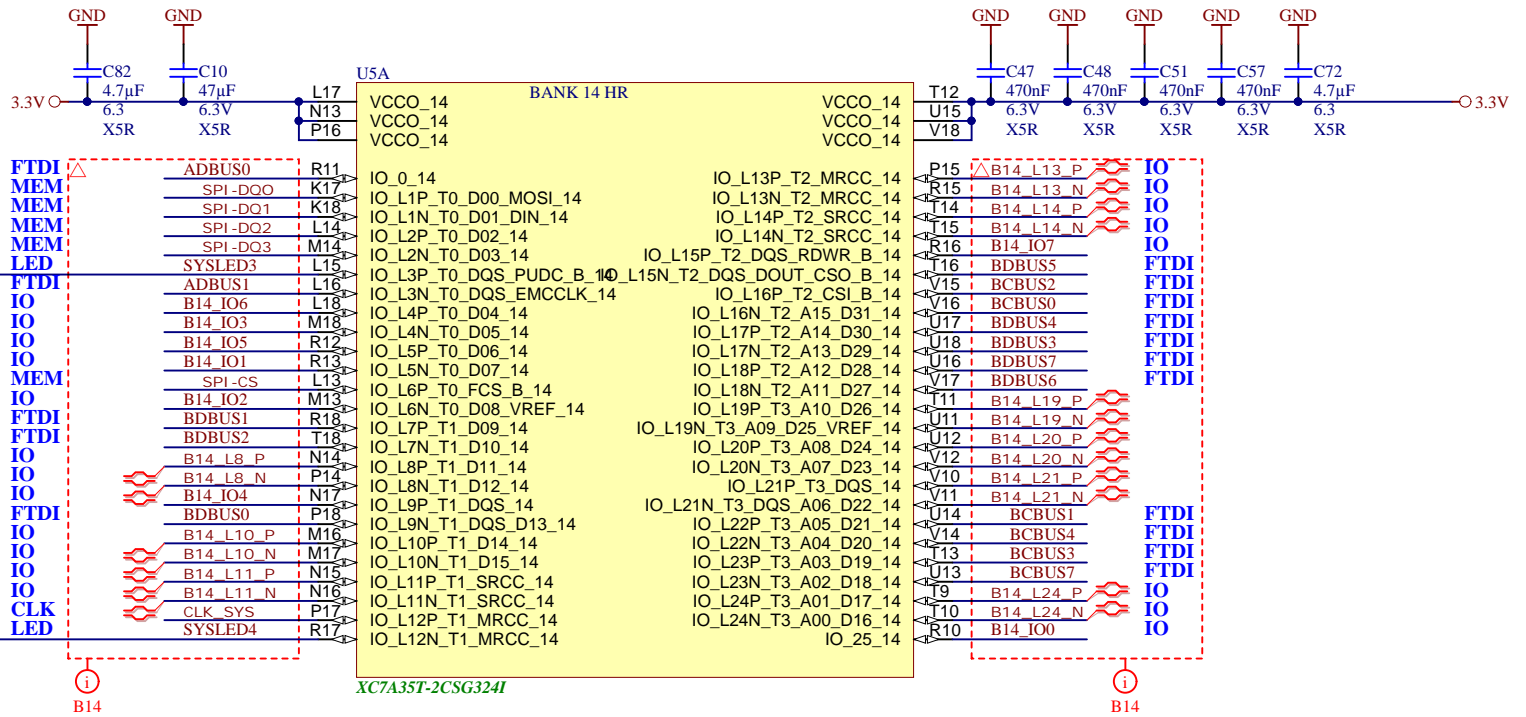
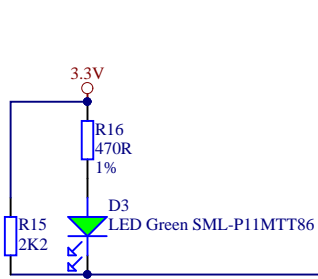
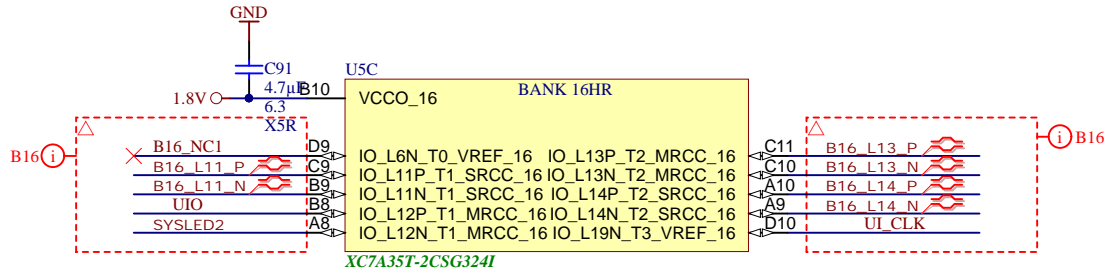
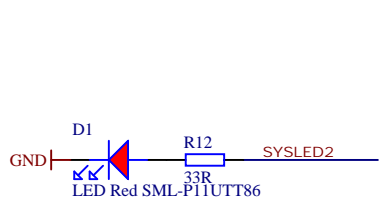
Title: TE0711		
A4	Number: TE0711 TE0711-35-2I	Rev. 01
Date: 2015-01-02	Copyright: Trenz Electronic GmbH / TT	Page 4 of 13
Filename: B34.SchDoc		



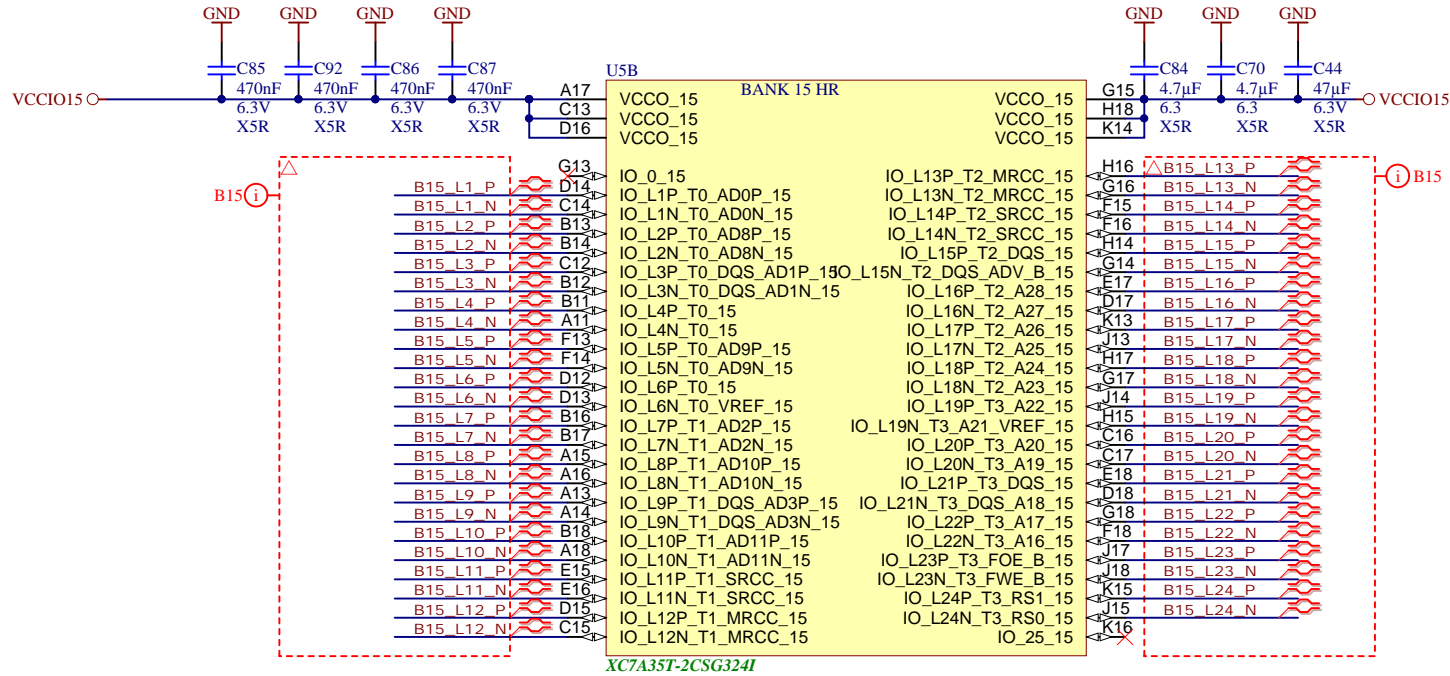
UART



Title: TE0711		
A4	Number: TE0711 TE0711-35-2I	Rev. 01
Date: 2015-01-02	Copyright: Trenz Electronic GmbH	Page 7 of 12
Filename: FTDI.SchDoc		

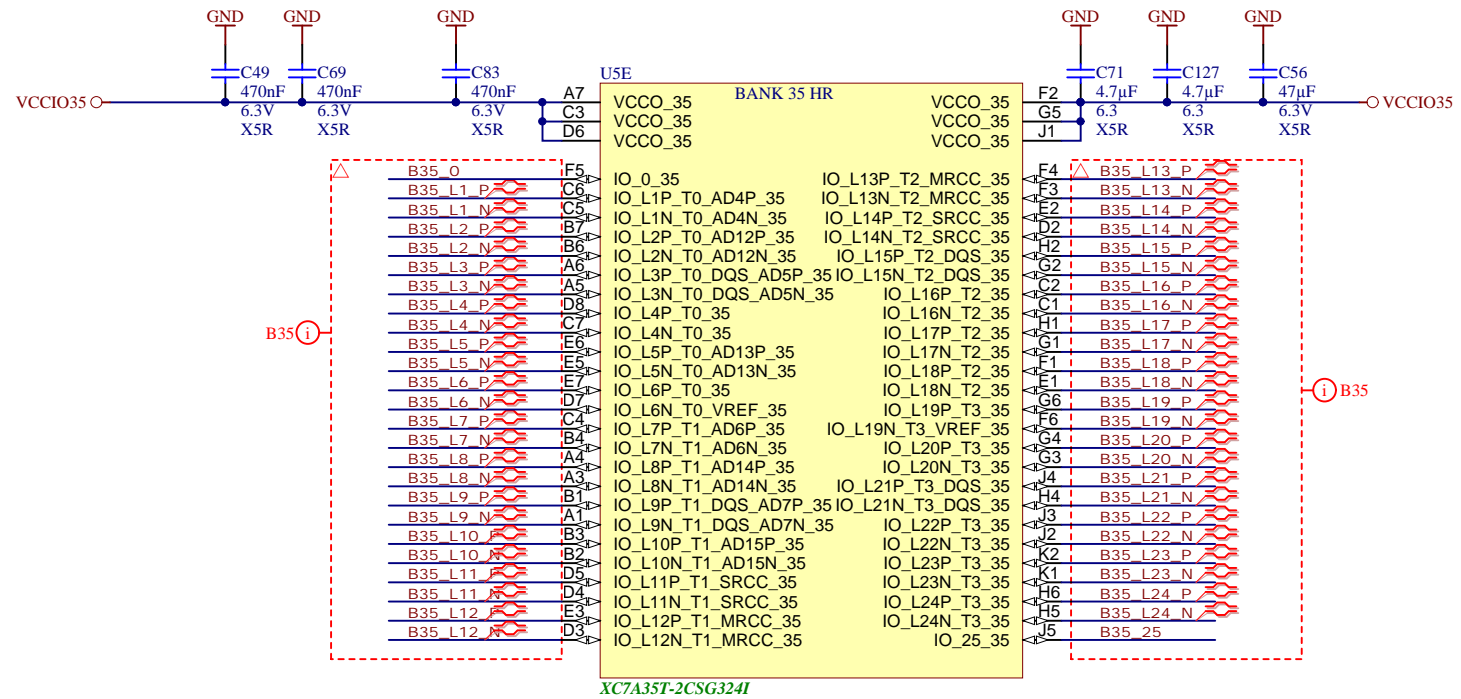



Title: TE0711		
A4	Number: TE0711 TE0711-35-2I	Rev. 01
Date: 2015-01-02	Copyright: Trenz Electronic GmbH / TT	Page 7 of 13
Filename: B14_B16.SchDoc		



XC7A35T-2CSG324I

	Title: TE0711		
	A4	Number: TE0711 TE0711-35-2I	Rev. 01
	Date: 2015-01-02	Copyright: Trenz Electronic GmbH / TT	Page 8 of 13
	Filename: B15.SchDoc		

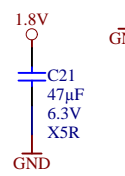
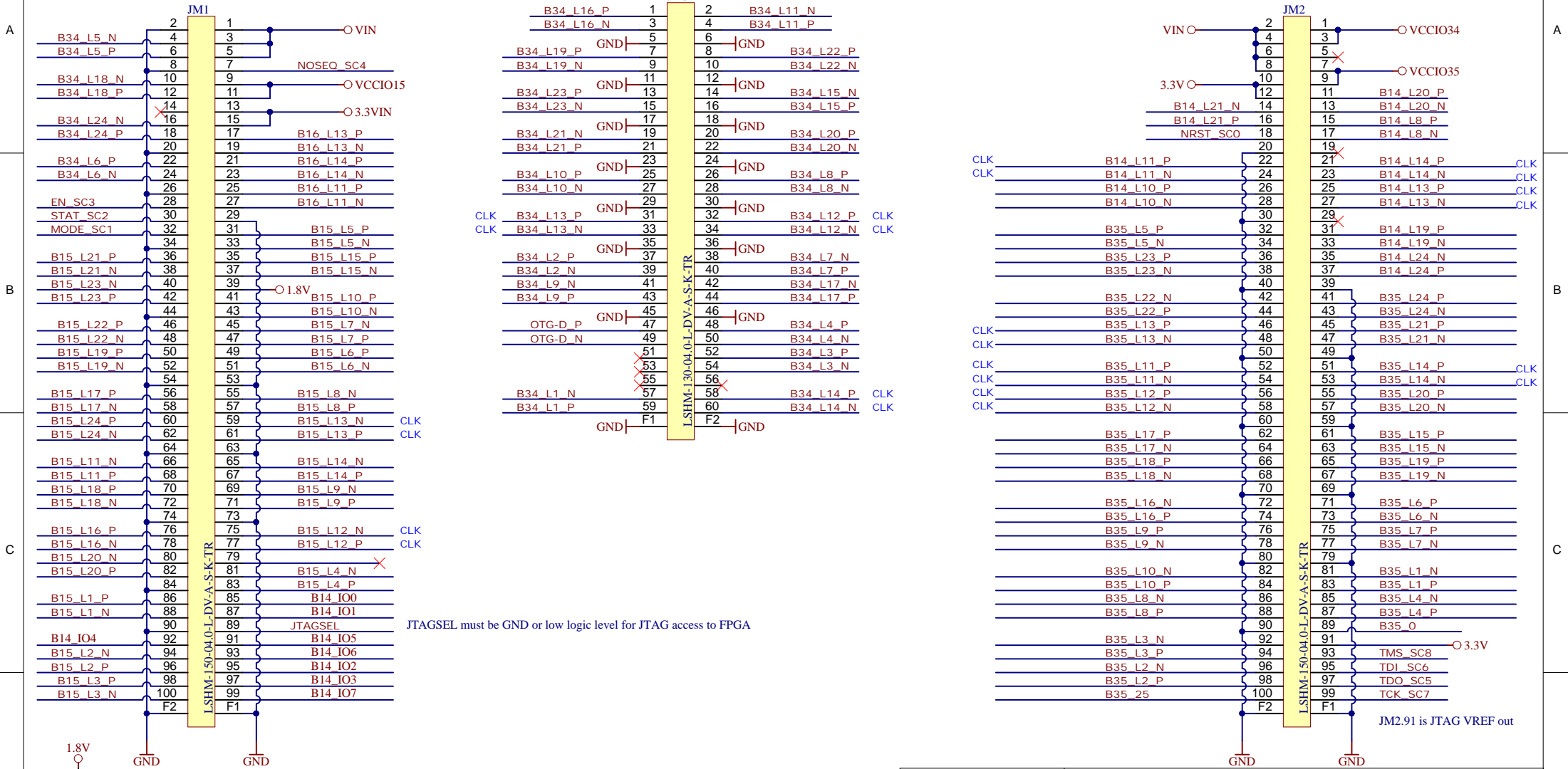




Title: TE0711		
A4	Number: TE0711 TE0711-35-2I	Rev. 01
Date: 2015-01-02	Copyright: Trenz Electronic GmbH / TT	Page9 of 13
Filename: B35.SchDoc		

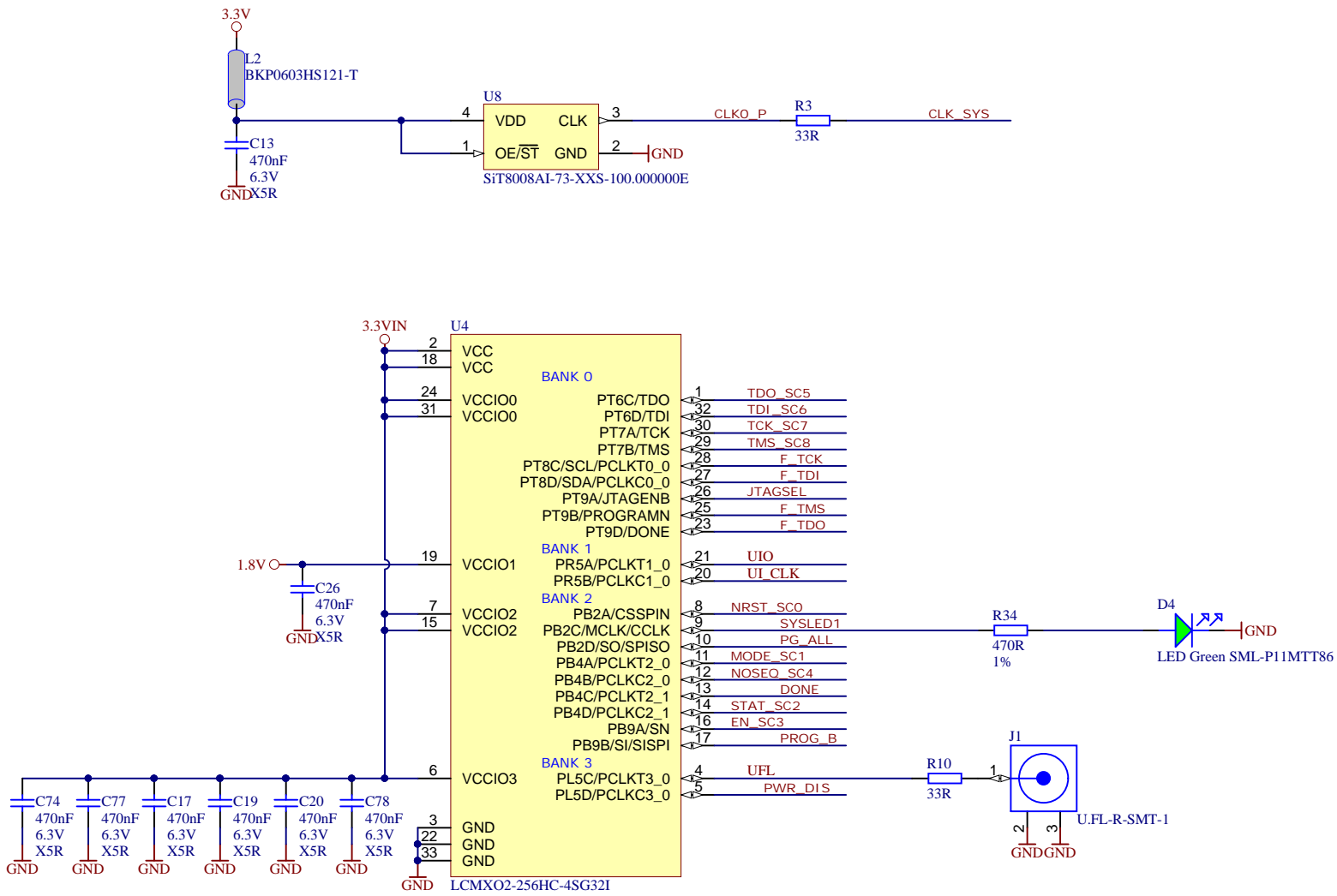
B16 6 Pins: 3 Differential ; 1.8V Fixed VCCIO
 B15: 48 Pins: 24 Differential; variable VCCIO
 B34: 8 Pins: 4 Differential; variable VCCIO
 B14: 8 Pins: 8 Single ended; 3.3V Fixed VCCIO

B34: 40 Pins: 20 Differential; variable VCCIO
 USB Device

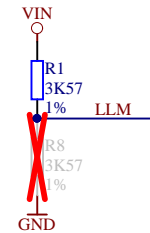
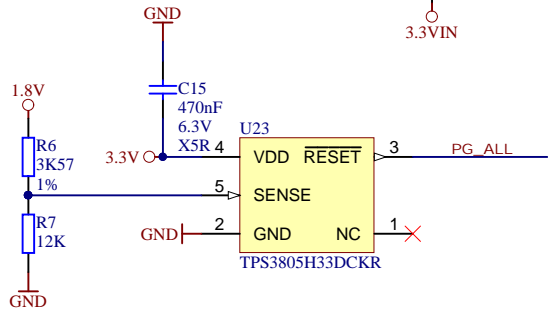
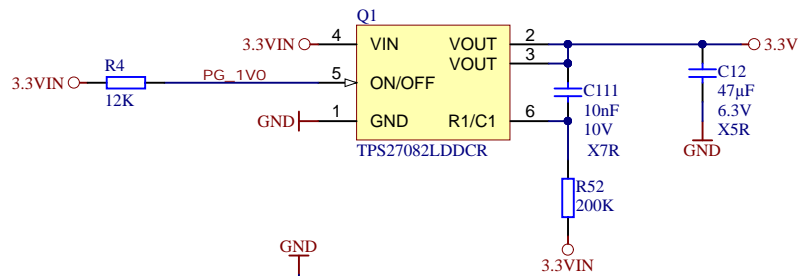
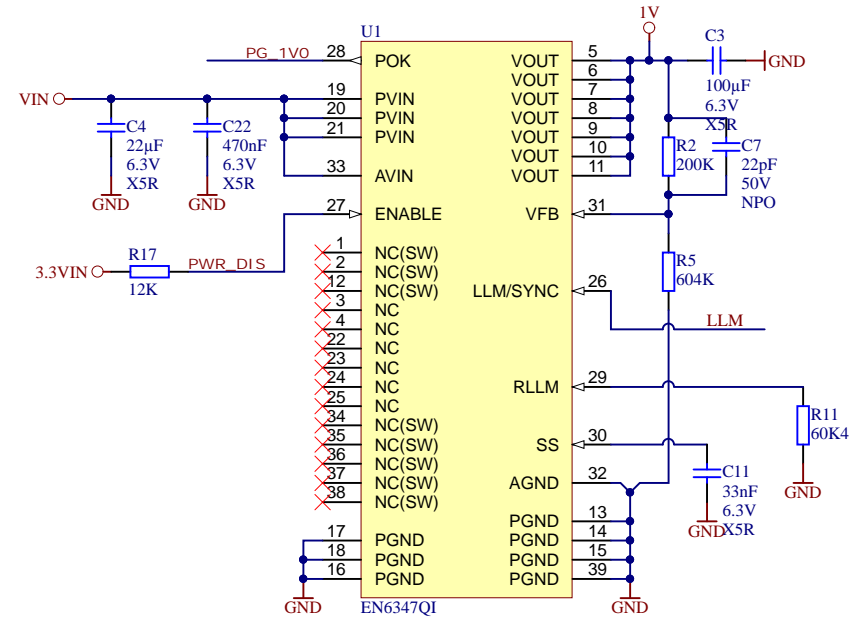
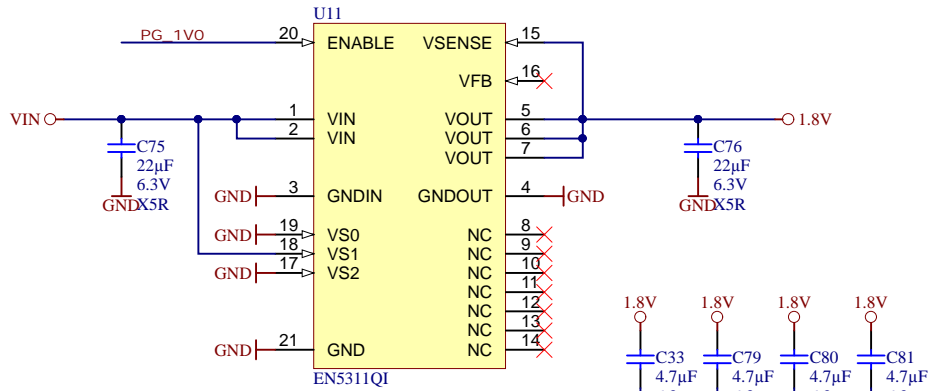
B35: 50 Pins: 24 Differential; variable VCCIO
 B14: 18 Pins: 9 Differential; 3.3V Fixed VCCIO
 JTAG: 3.3V Levels



			Title: TE0711	
			A4	Number: TE0711 TE0711-35-2I
Date: 2015-01-02		Copyright: Trenz Electronic GmbH / TT		Page 11 of 13
Filename: B2B_Connector.SchDoc				



Title: TE0711		
A4	Number: TE0711 TE0711-35-2I	Rev. 01
Date: 2015-01-02	Copyright: Trenz Electronic GmbH	Page 12 of 13
Filename: SystemController.SchDoc		



	Title: TE0711		
	A4	Number: TE0711 TE0711-35-2I	Rev. 01
	Date: 2015-01-02	Copyright: Trenz Electronic GmbH	Page 13 of 13
	Filename: POWER.SchDoc		