

1

2

3

4

A

A

B

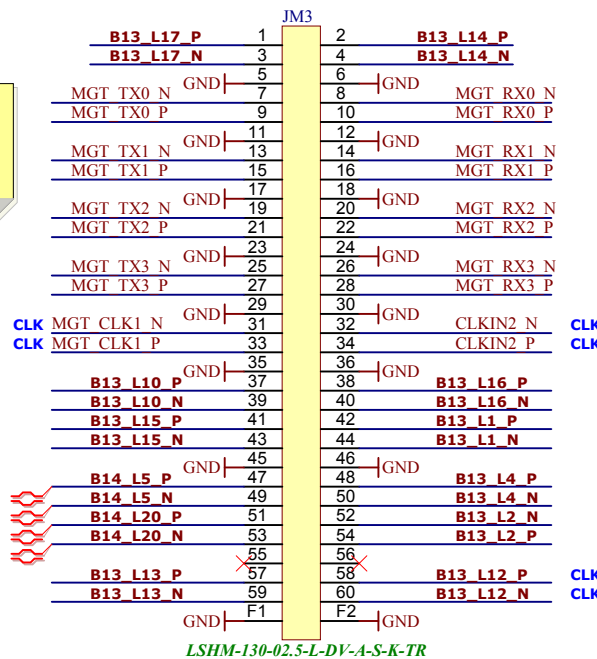
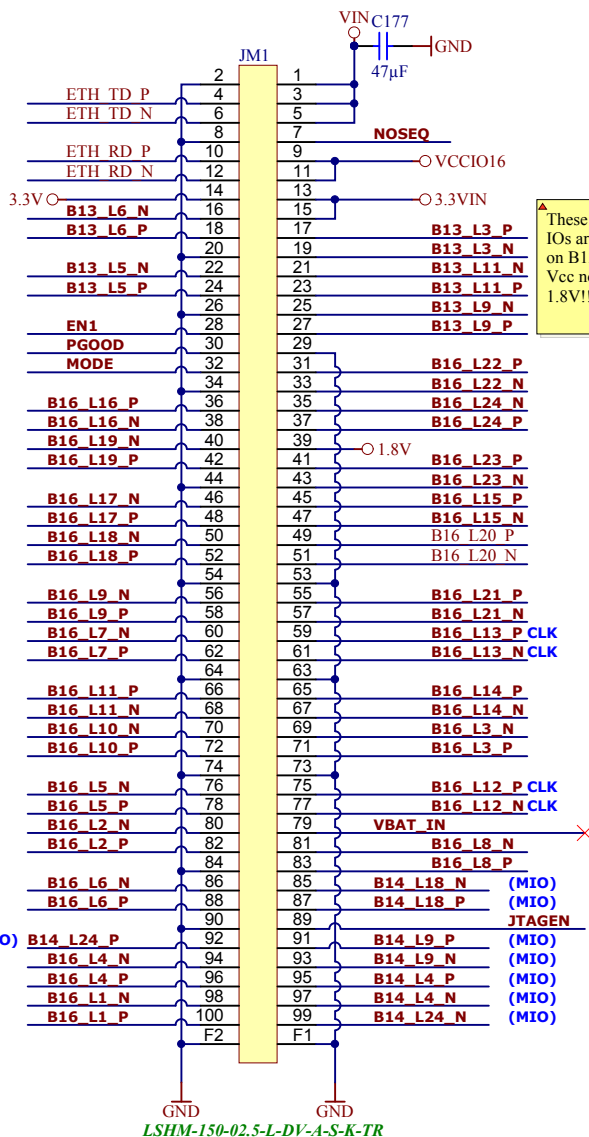
B

C

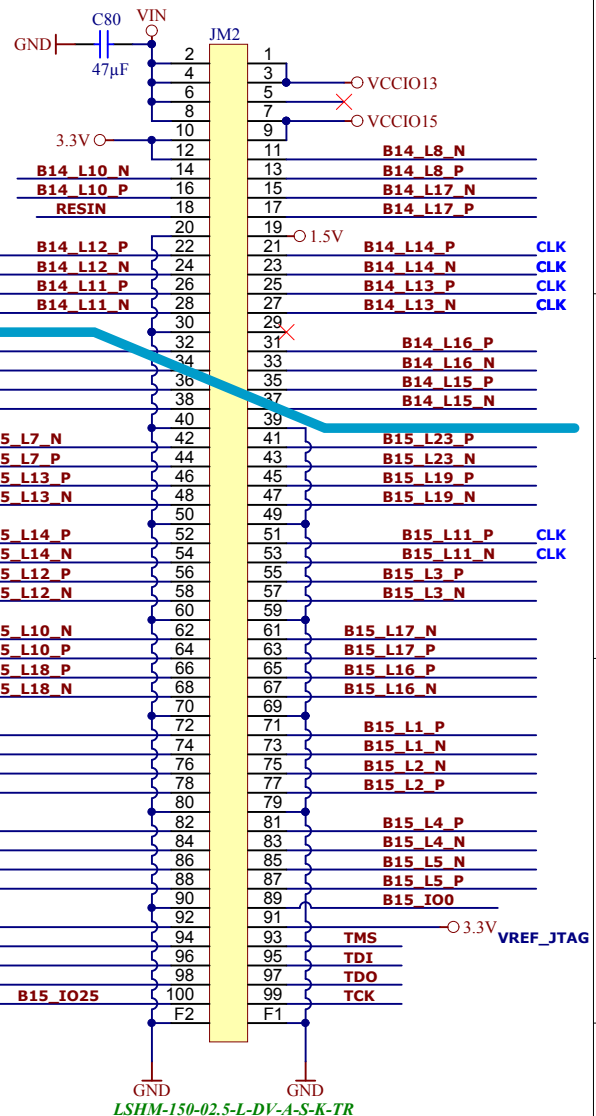
C

D

D



LSHM-130-02.5-L-DV-A-S-K-TR



LSHM-150-02.5-L-DV-A-S-K-TR



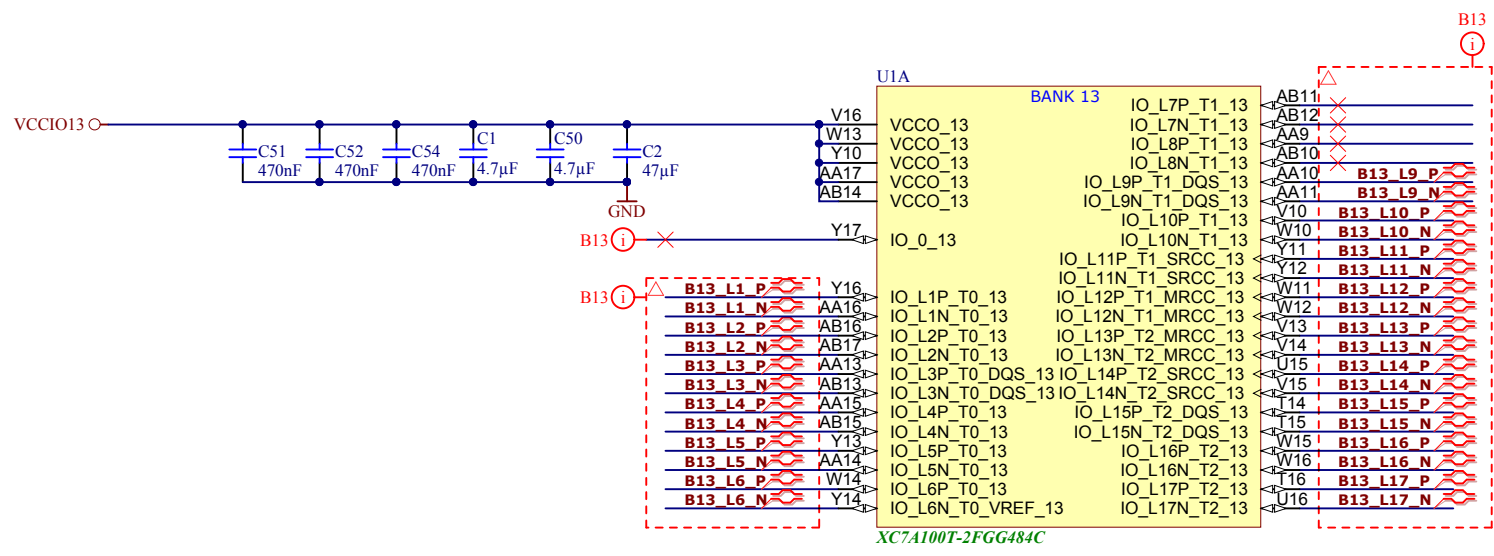
Title: B2B		
A4	Number: TE0712 100_2C3	Rev. 02
Date: 2015-12-09	Copyright: Trenz Electronic GmbH	Page1 of 16
Filename: B2B-Connectors.SchDoc		


1

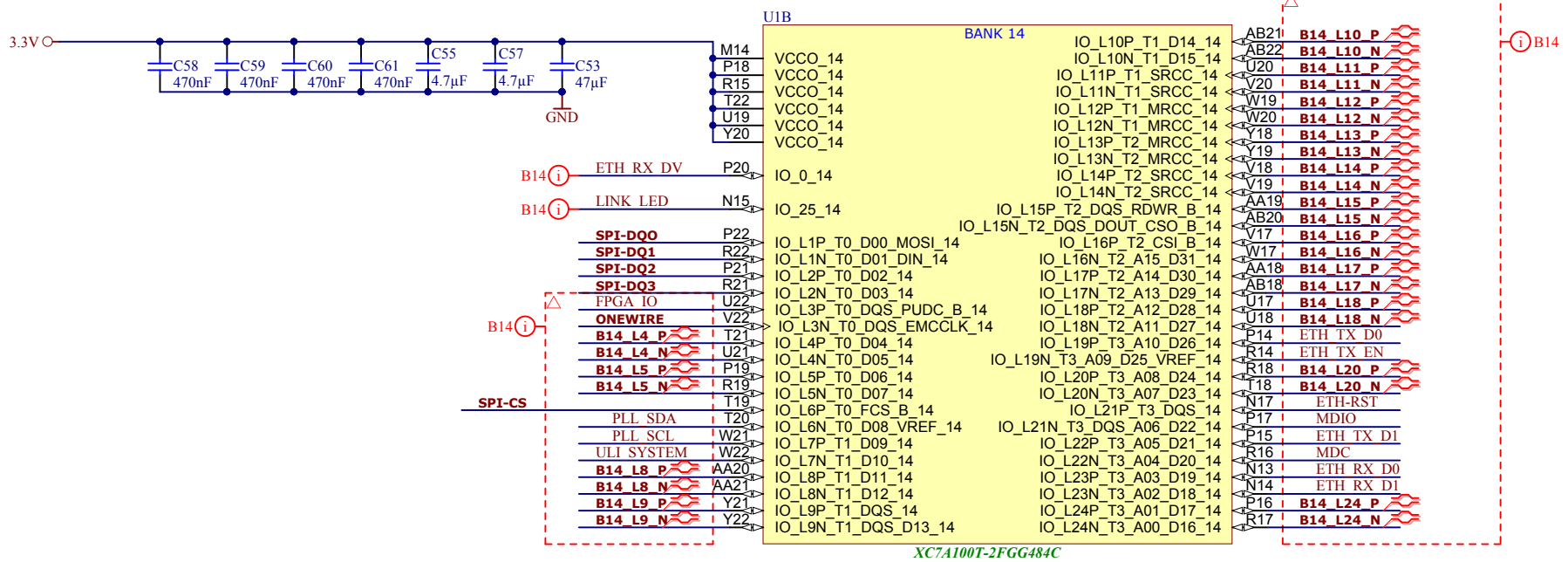
2

3

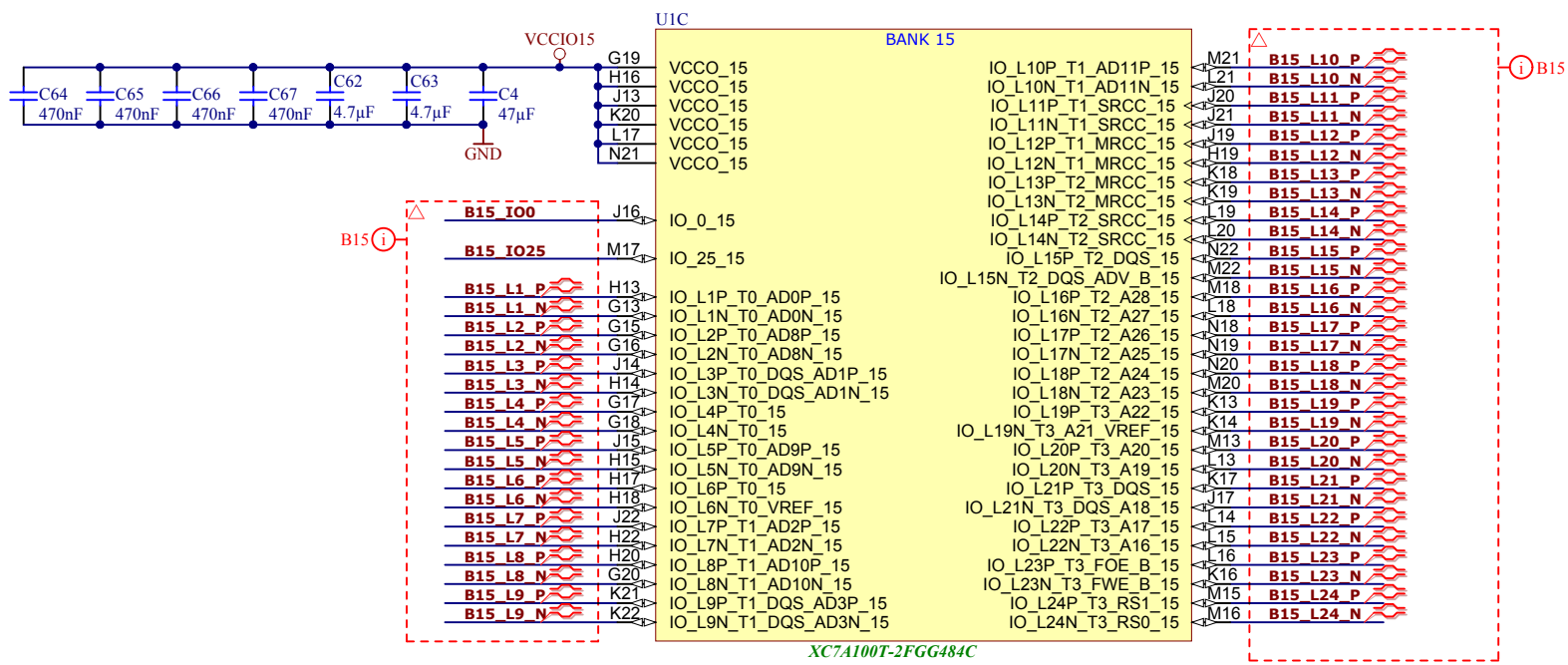
4



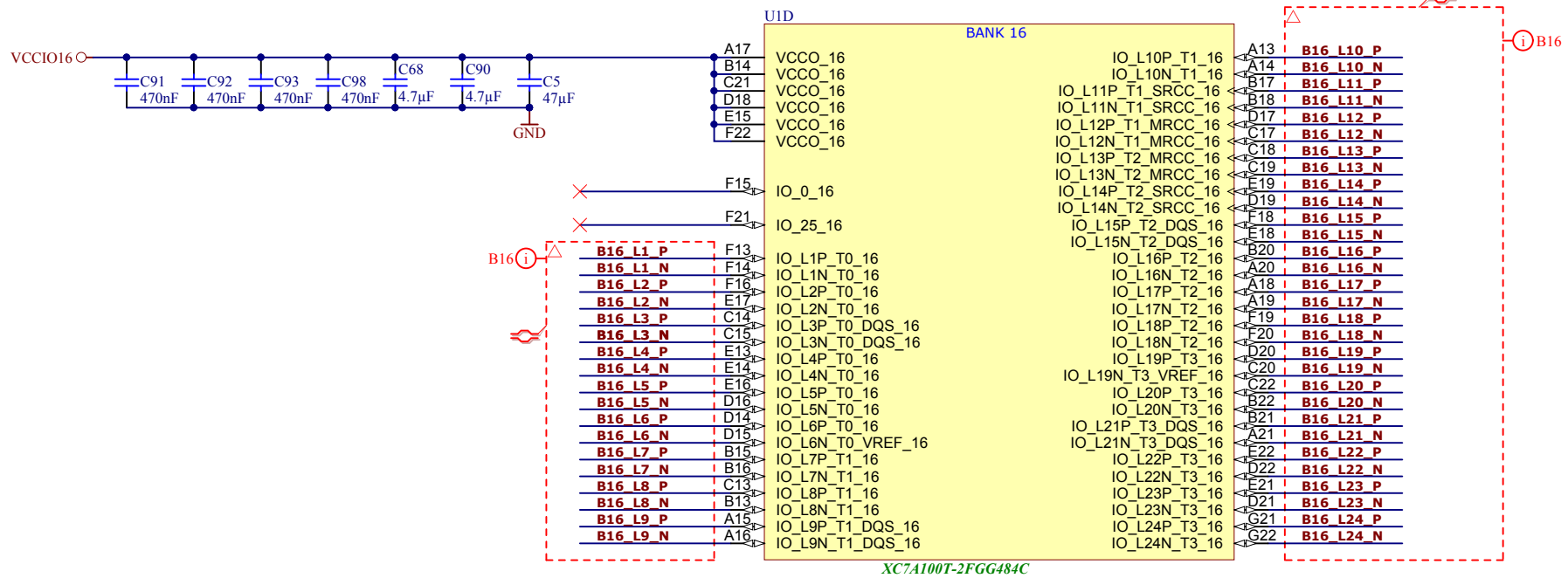
	Title: B13		
	A4	Number: TE0712 100_2C3	Rev. 02
	Date: 2015-12-09	Copyright: Trenz Electronic GmbH	Page 2 of 16
	Filename: B13.SchDoc		



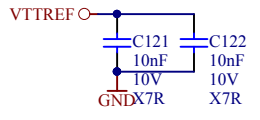
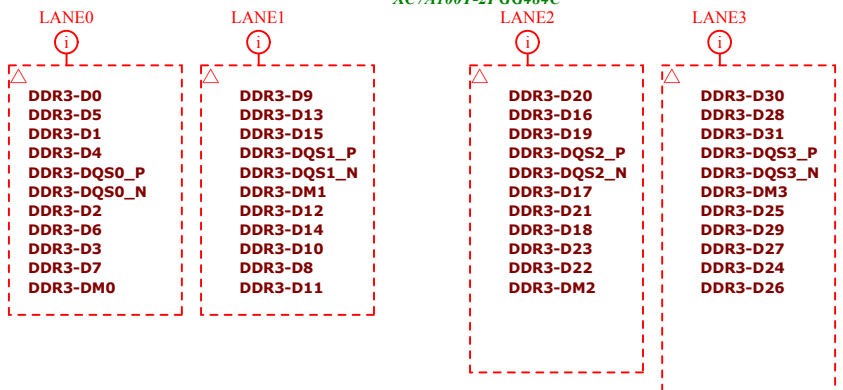
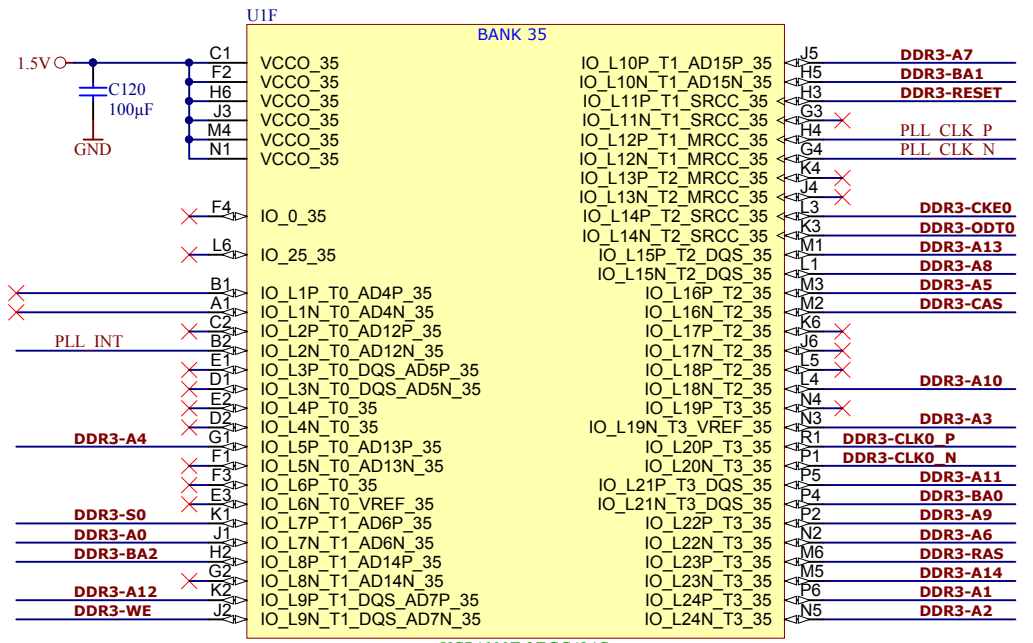
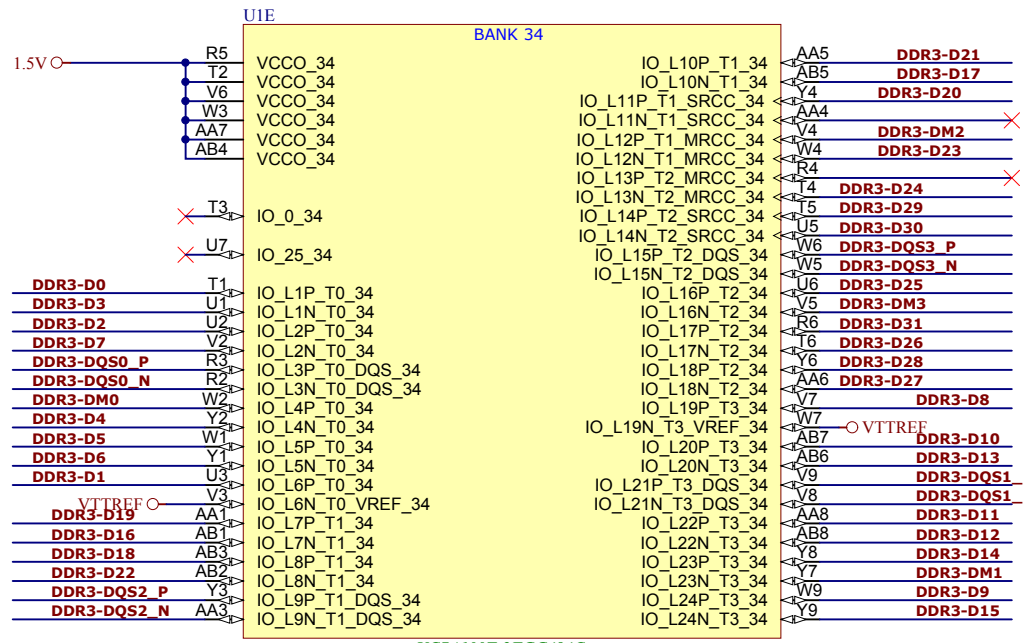
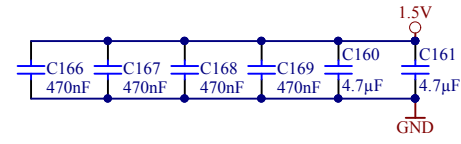
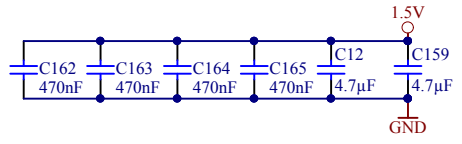
Title: B14		
A4	Number: TE0712 100_2C3	Rev. 02
Date: 2015-12-09	Copyright: Trenz Electronic GmbH	Page 3 of 16
Filename: B14.SchDoc		



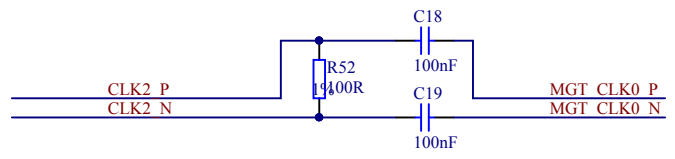
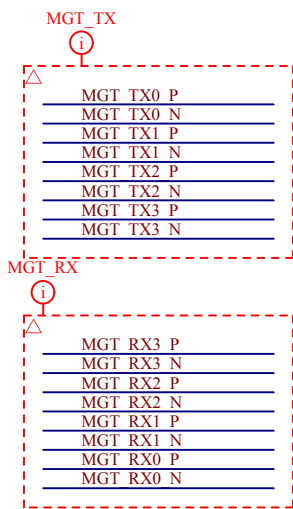
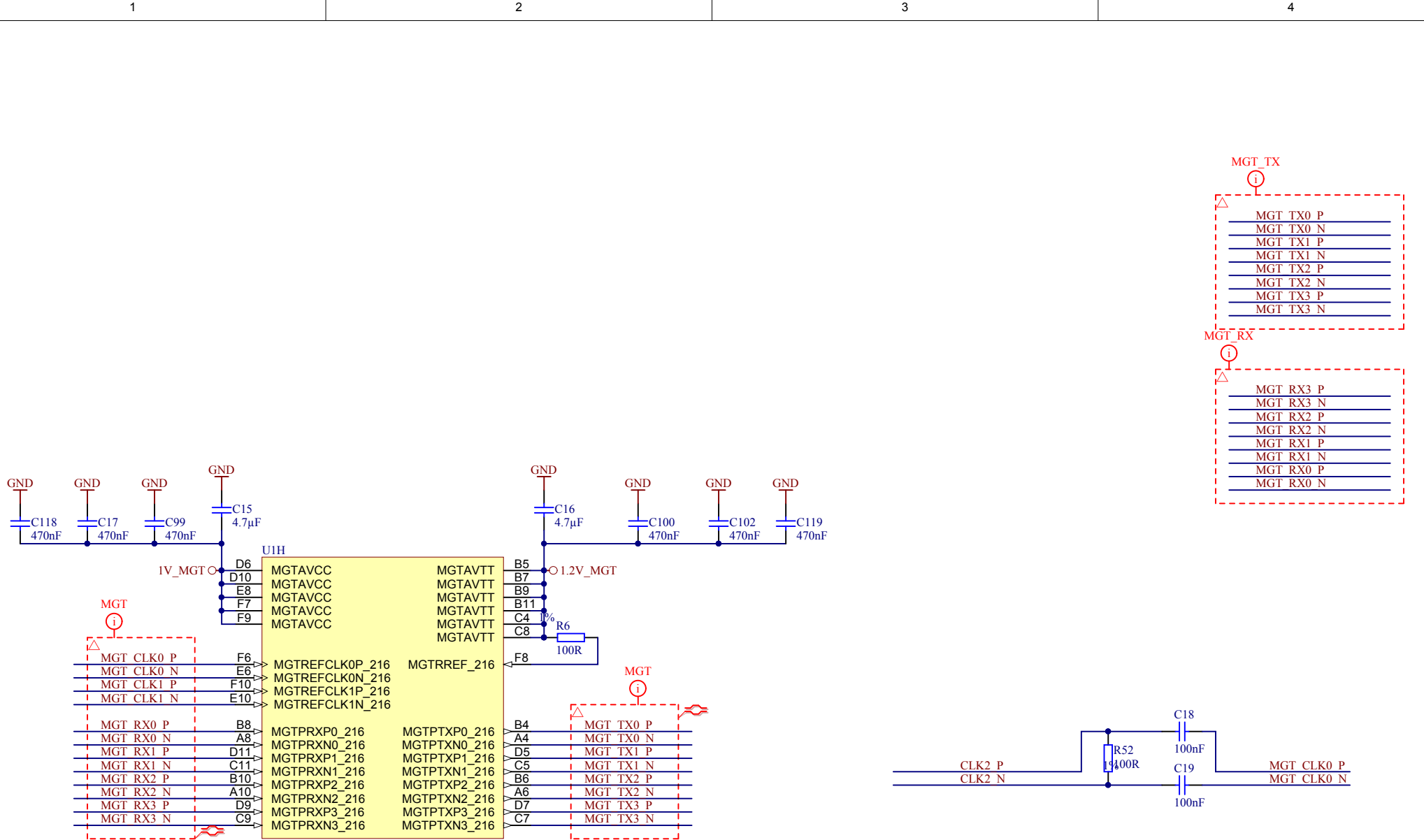
Title: B15		
A4	Number: TE0712 100_2C3	Rev. 02
Date: 2015-12-09	Copyright: Trenz Electronic GmbH	Page 4 of 16
Filename: B15.SchDoc		




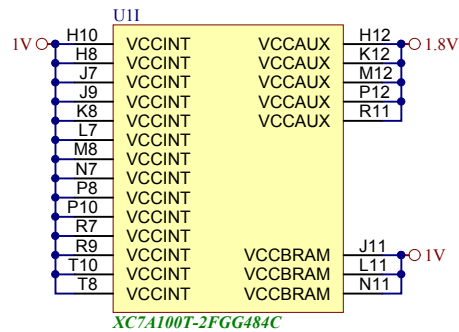
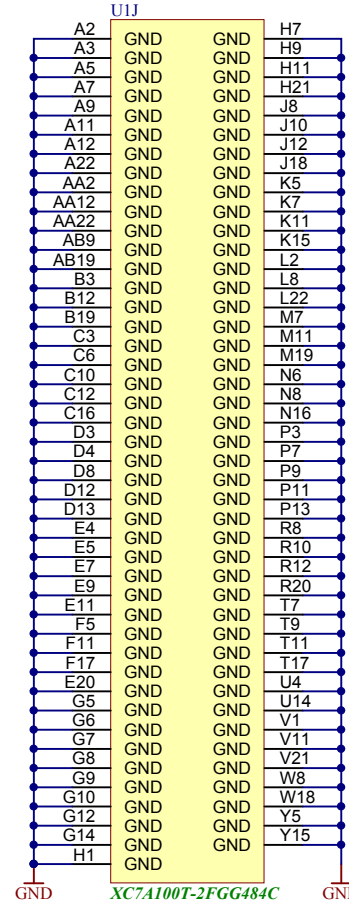
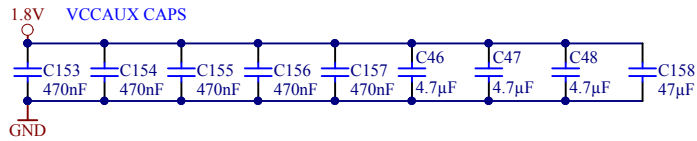
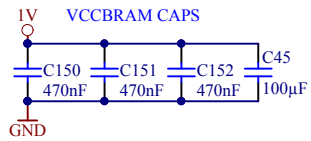
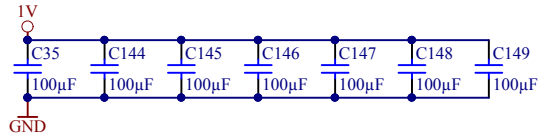
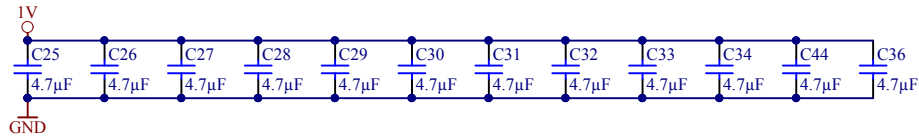
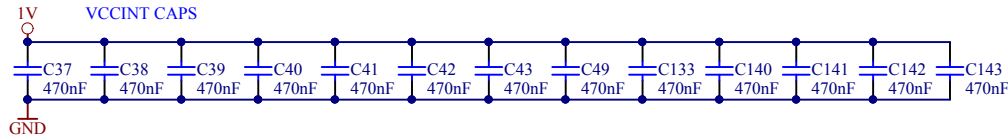
	Title: B16		
	A4	Number: TE0712 100_2C3	Rev. 02
	Date: 2015-12-09	Copyright: Trenz Electronic GmbH	Page 5 of 16
	Filename: B16.SchDoc		



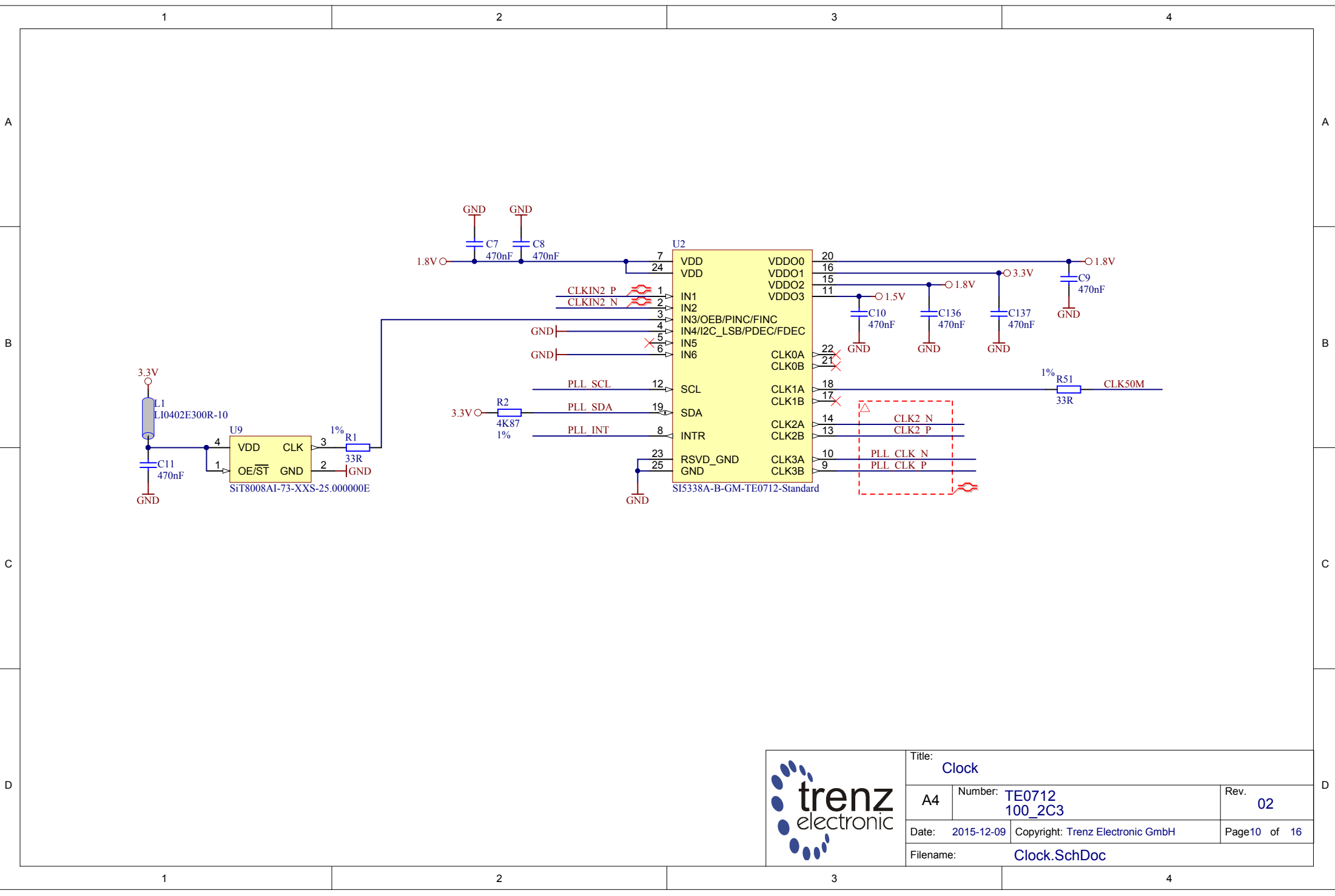
Title: B34			
A4	Number: TE0712 100_2C3	Rev. 02	
Date: 2015-12-09	Copyright: Trenz Electronic GmbH	Page 6 of 16	
Filename: B34.SchDoc			




		Title: MGT	
		A4	Number: TE0712 100_2C3
Date: 2015-12-09		Copyright: Trenz Electronic GmbH	
Page 7		of 16	
Filename: FPGA-MGT.SchDoc			



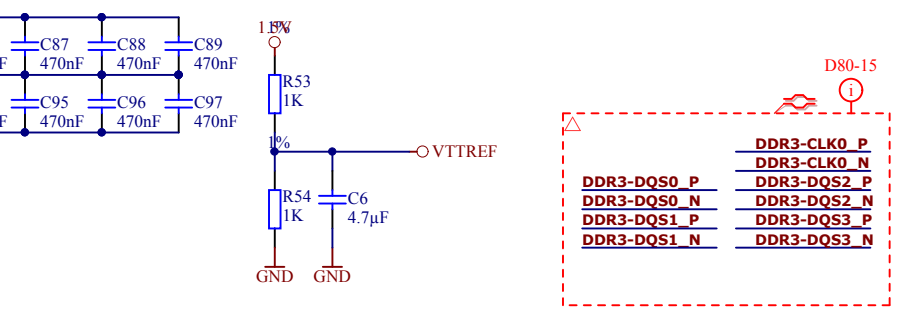
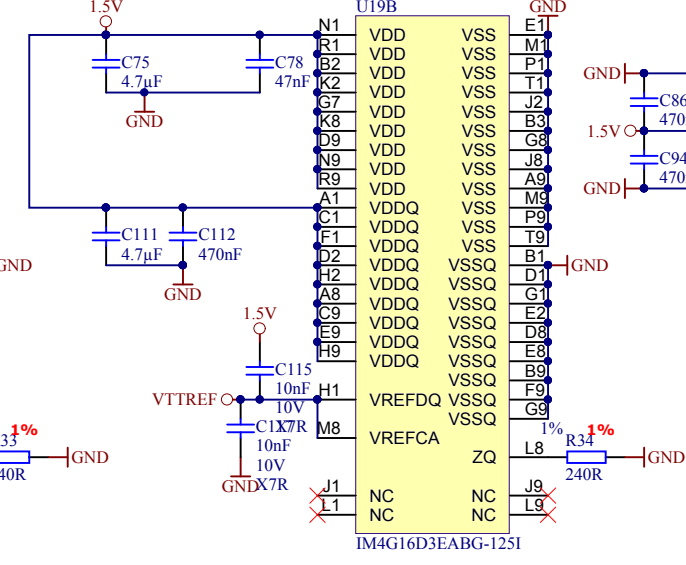
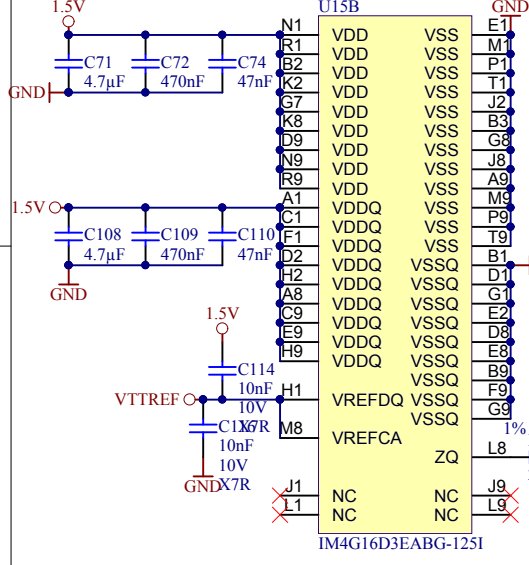
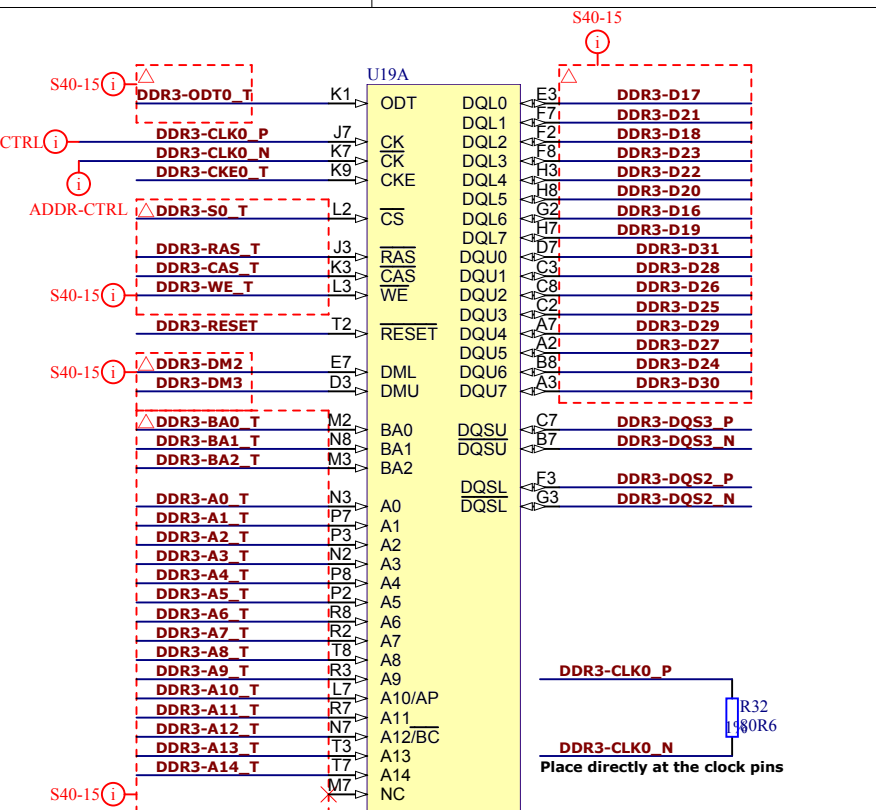
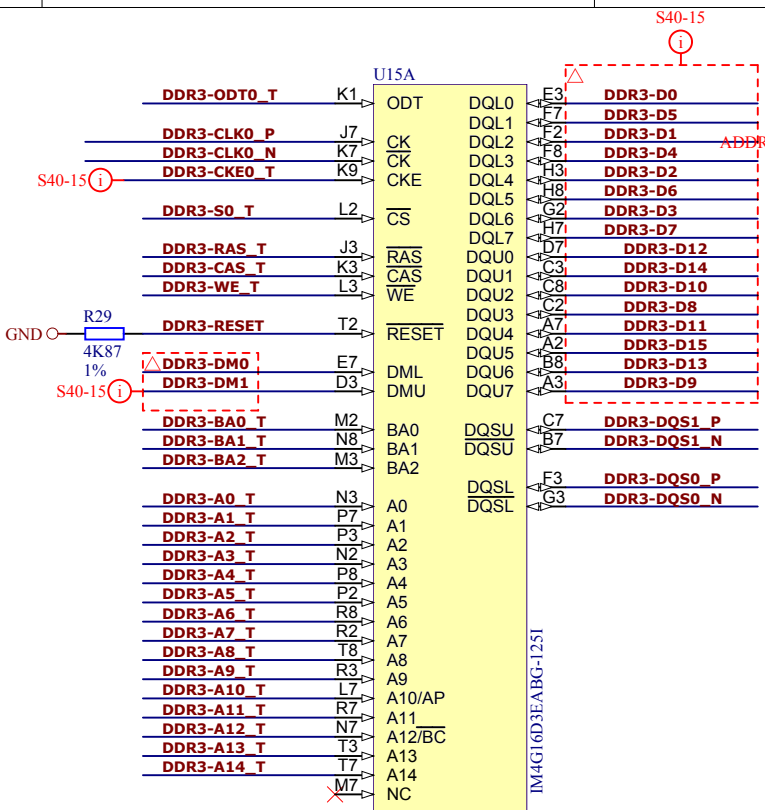
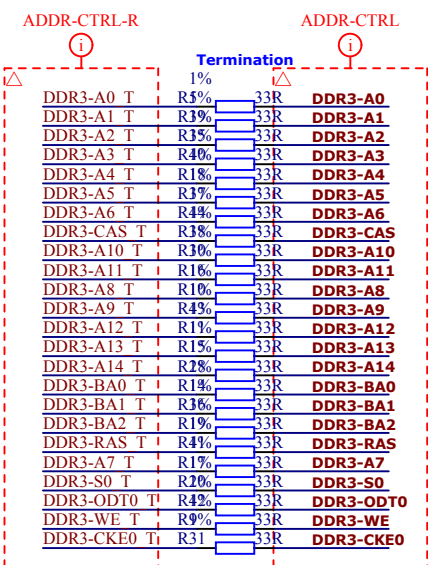
Title: PWR		
A4	Number: TE0712 100_2C3	Rev. 02
Date: 2015-12-09	Copyright: Trenz Electronic GmbH	Page9 of 16
Filename: FPGA-PWR.SchDoc		



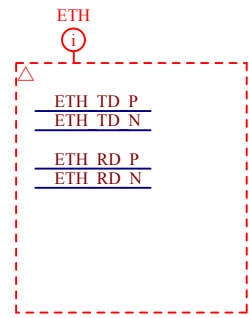
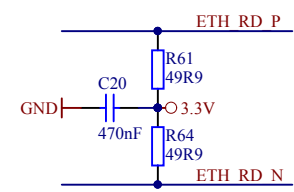
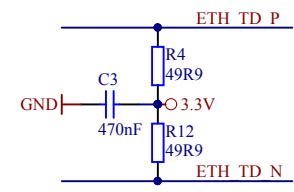
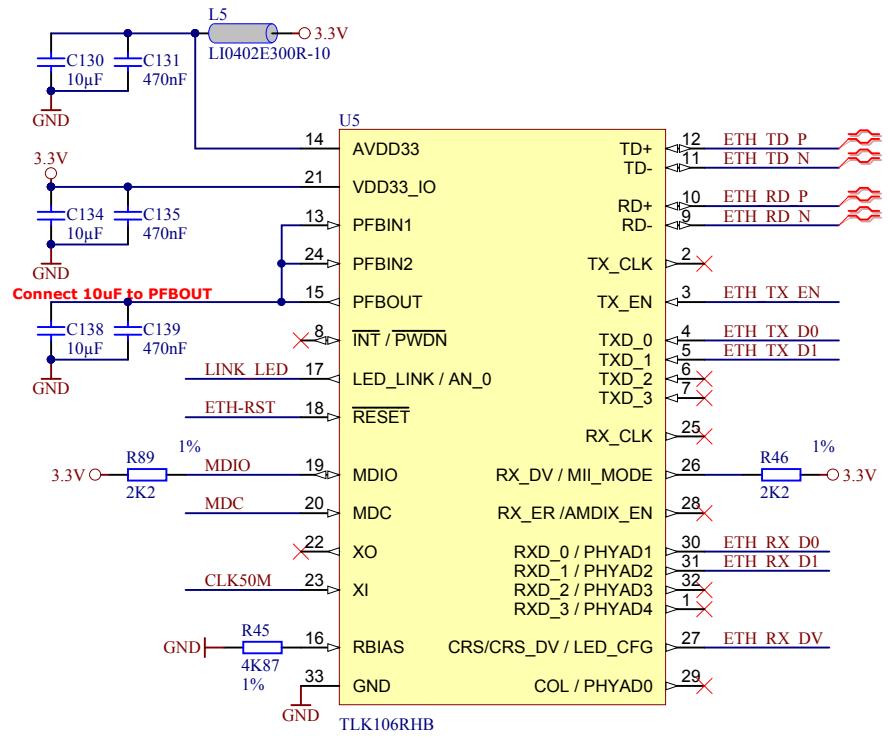

			Title: Clock	
			A4	Number: TE0712 100_2C3
Date: 2015-12-09		Copyright: Trenz Electronic GmbH		Page 10 of 16
Filename: Clock.SchDoc				

A
B
C
D

A
B
C
D



Title: DDR3			
A4	Number: TE0712_100_2C3	Rev. 02	
Date: 2015-12-09	Copyright: Trenz Electronic GmbH	Page 11 of 16	
Filename: DDR3-RAM.SchDoc			

Title: ETH		
A4	Number: TE0712 100_2C3	Rev. 02
Date: 2015-12-09	Copyright: Trenz Electronic GmbH	
Filename: ETHERNET.SchDoc		Page 12 of 16

1

2

3

4

A

A

B

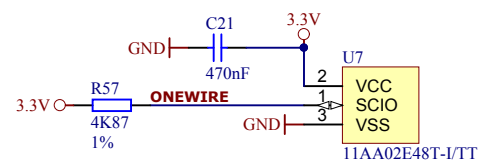
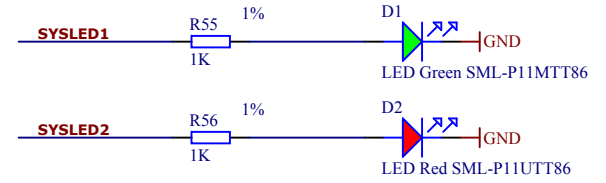
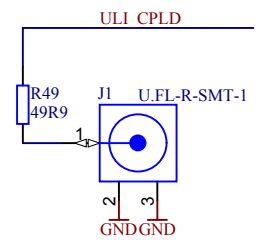
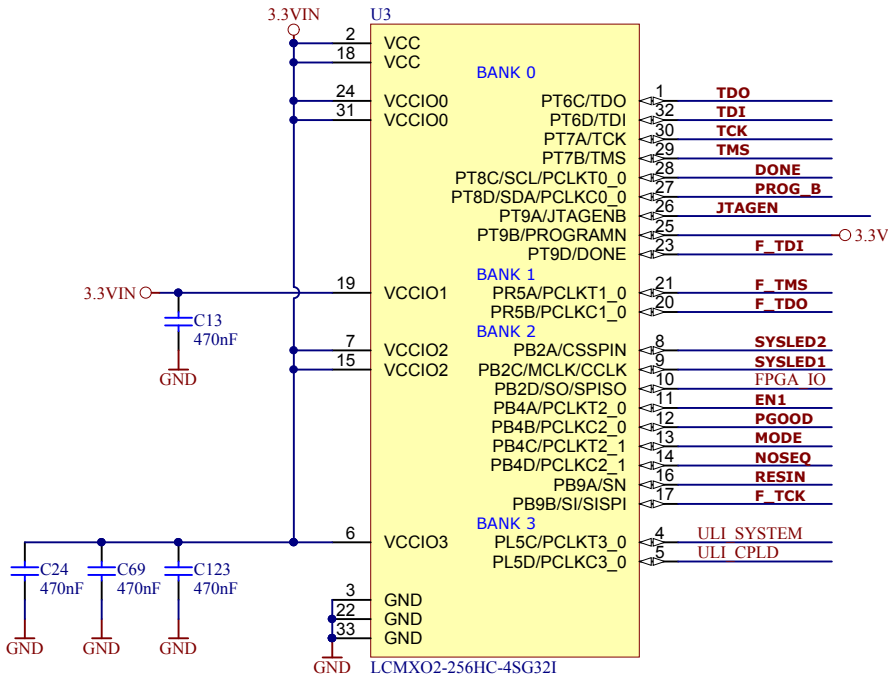
B

C

C

D

D



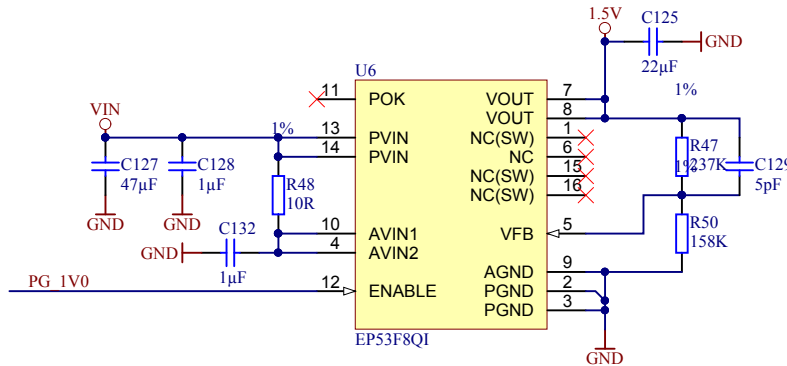
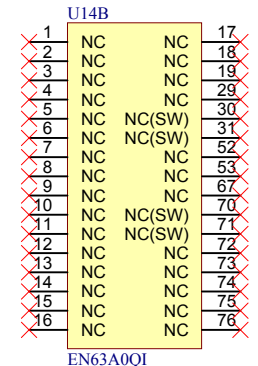
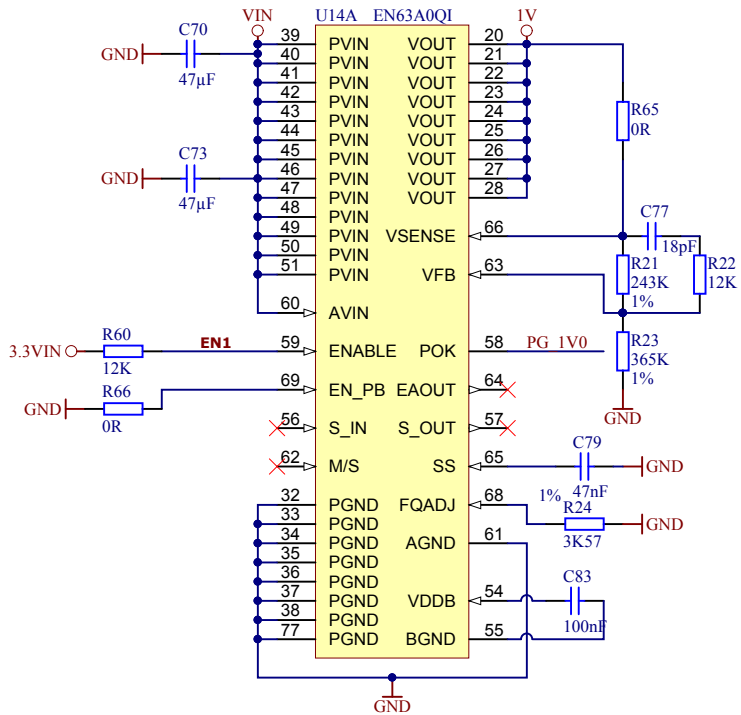
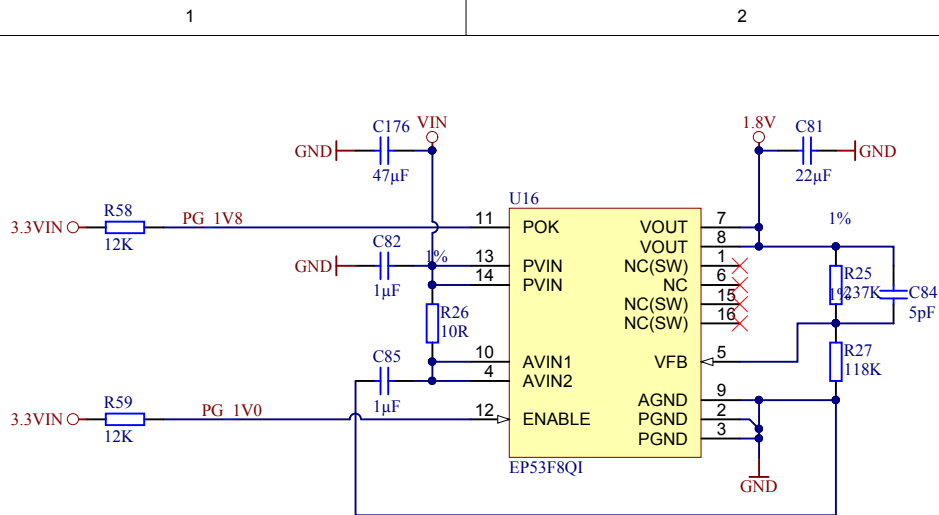
	Title: CPLD		
	A4	Number: TE0712 100_2C3	Rev. 02
	Date: 2015-12-09	Copyright: Trenz Electronic GmbH	Page 13 of 16
	Filename: CPLD.SchDoc		

1

2

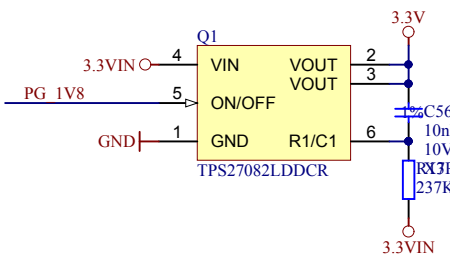
3

4



R65 R66 MODE EN63A0QI

 OK X | enable pre-bias start-up
 X OK | disable pre-bias start-up



- VIN ○ TP1 ● Testpoint 0.8mm
- 1V ○ TP2 ● Testpoint 0.8mm
- GND TP6 ● Testpoint 0.8mm
- 3.3V VIN ○ TP4 ● Testpoint 0.8mm
- 1.2V_MGT ○ TP5 ● Testpoint 0.8mm
- GND TP9 ● Testpoint 0.8mm
- 3.3V ○ TP7 ● Testpoint 0.8mm
- VCCIO13 ○ TP8 ● Testpoint 0.8mm
- GND TP12 ● Testpoint 0.8mm
- 1.8V ○ TP10 ● Testpoint 0.8mm
- VCCIO15 ○ TP11 ● Testpoint 0.8mm
- GND TP15 ● Testpoint 0.8mm
- 1.5V ○ TP13 ● Testpoint 0.8mm
- VCCIO16 ○ TP14 ● Testpoint 0.8mm
- GND TP16 ● Testpoint 0.8mm
- VTTREF ○ TP3 ● Testpoint 0.8mm

Title: PWR		
A4	Number: TE0712 100_2C3	Rev. 02
Date: 2015-12-09	Copyright: Trenz Electronic GmbH	Page 14 of 16
Filename: PWR1.SchDoc		

1

2

3

4

A

A

B

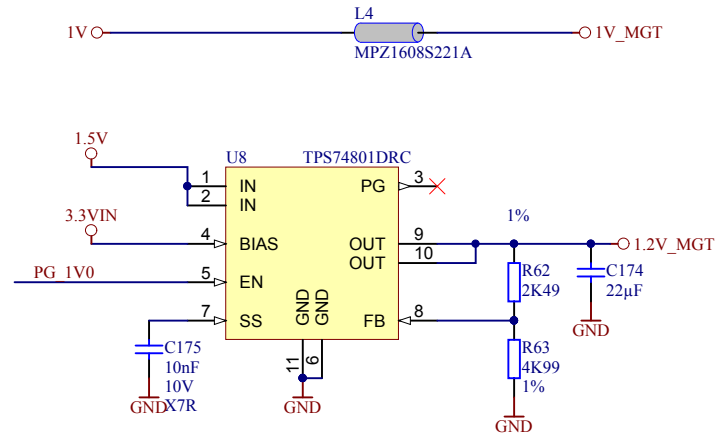
B


C

C

D

D



	Title: PWR		
	A4	Number: TE0712 100_2C3	Rev. 02
	Date: 2015-12-09	Copyright: Trenz Electronic GmbH	Page 15 of 16
	Filename: PWR2.SchDoc		

1

2

3

4

U_B2B-Connectors
B2B-Connectors.SchDoc

U_B13
B13.SchDoc

U_B14
B14.SchDoc

U_B15
B15.SchDoc

U_B16
B16.SchDoc

U_B34
B34.SchDoc

U_FPGA-MGT
FPGA-MGT.SchDoc

U_FPGA-CFG
FPGA-CFG.SchDoc

U_FPGA-PWR
FPGA-PWR.SchDoc

U_Clock
Clock.SchDoc

U_DDR3-RAM
DDR3-RAM.SchDoc

U_ETHERNET
ETHERNET.SchDoc

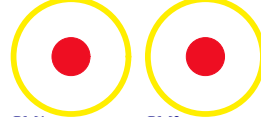
U_CPLD
CPLD.SchDoc

U_PWR1
PWR1.SchDoc

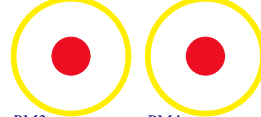
U_PWR2
PWR2.SchDoc

Serial
Serialnumber 6,3 x 6.3mm

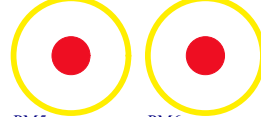
FIDU-DOT - small FIDU-DOT - small



PM1 PM2
FIDU-DOT - small FIDU-DOT - small

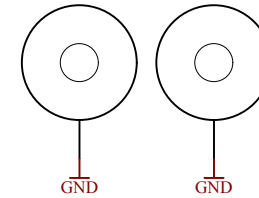


PM3 PM4
FIDU-DOT - small FIDU-DOT - small

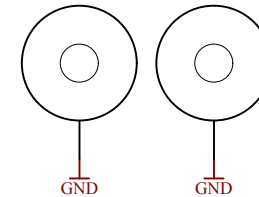


PM5 PM6

Mount.Hole 3.2mm Mount.Hole 3.2mm




Mount.Hole 3.2mm Mount.Hole 3.2mm



Top of Board



	Title: TE0712		
	A4	Number: TE0712 100_2C3	Rev. 02
	Date: 2015-12-09	Copyright: Trenz Electronic GmbH	Page 16 of 16
	Filename: TE0712.SchDoc		