

U_B2B-Connectors
B2B-Connectors.SchDoc

U_B13
B13.SchDoc

U_B14
B14.SchDoc

U_B15
B15.SchDoc

U_B16
B16.SchDoc

U_B34
B34.SchDoc

U_FPGA-MGT
FPGA-MGT.SchDoc

U_FPGA-CFG
FPGA-CFG.SchDoc

U_FPGA-PWR
FPGA-PWR.SchDoc

U_Clock
Clock.SchDoc

U_DDR3-RAM
DDR3-RAM.SchDoc

U_ETHERNET
ETHERNET.SchDoc

U_CPLD
CPLD.SchDoc

U_PWR1
PWR1.SchDoc

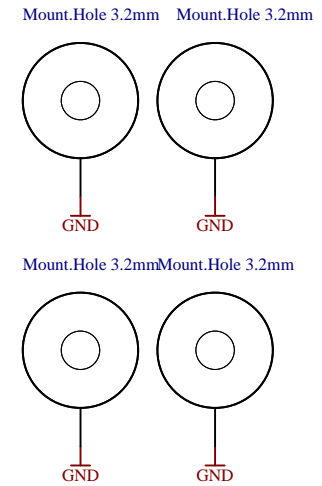
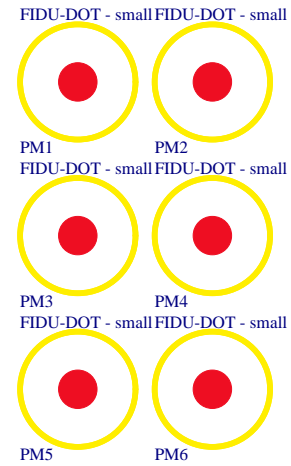
U_PWR2
PWR2.SchDoc

Serial
Serialnumber 6,3 x 6.3mm

Special notes:

-
-

Top of Board



Assembly variant 71101-M
Created by
Modified by
Modified at
SVN Revision 9127

	Title: TE0712	
	A4	Number: TE0712 71101-M
	Date: 2015-12-09	Copyright: Trenz Electronic GmbH
	Filename: TE0712.SchDoc	

Rev. 02
Page 1 of 16

A

B

C

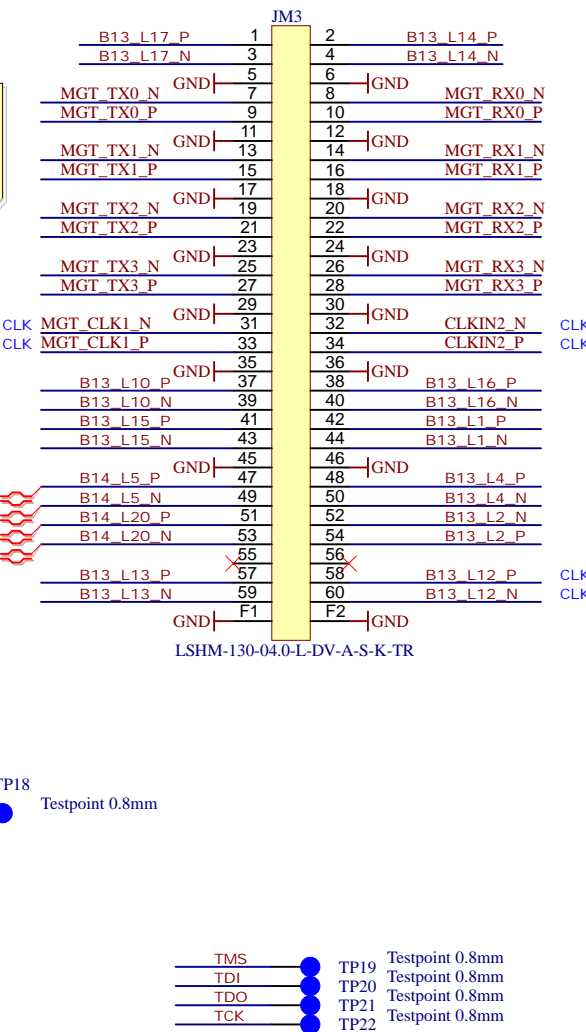
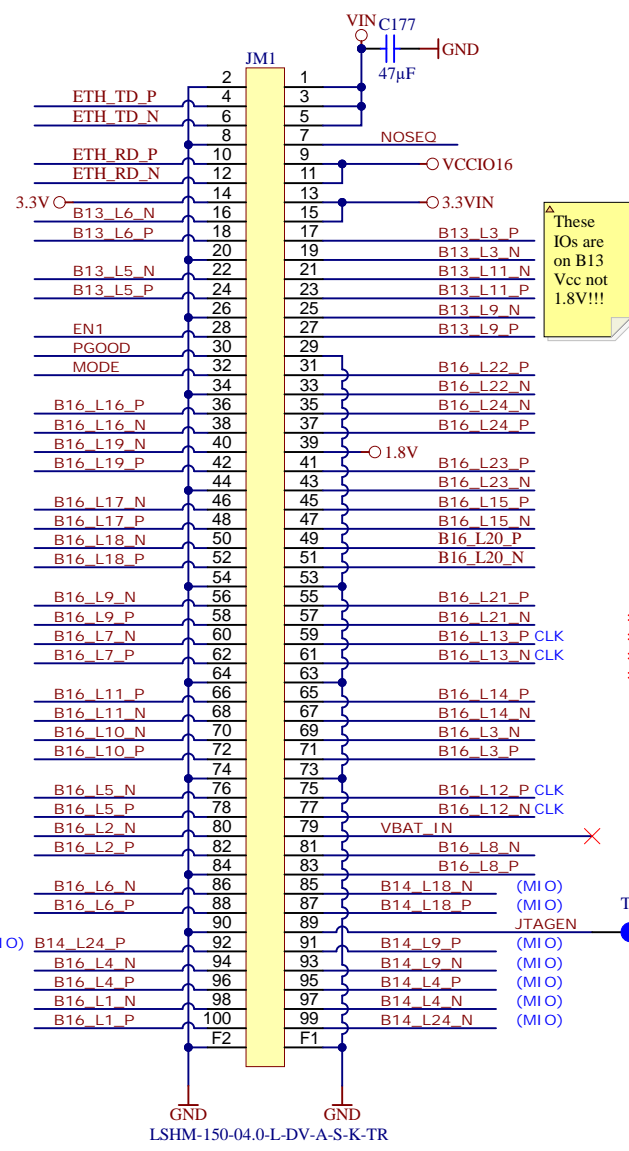
D

A

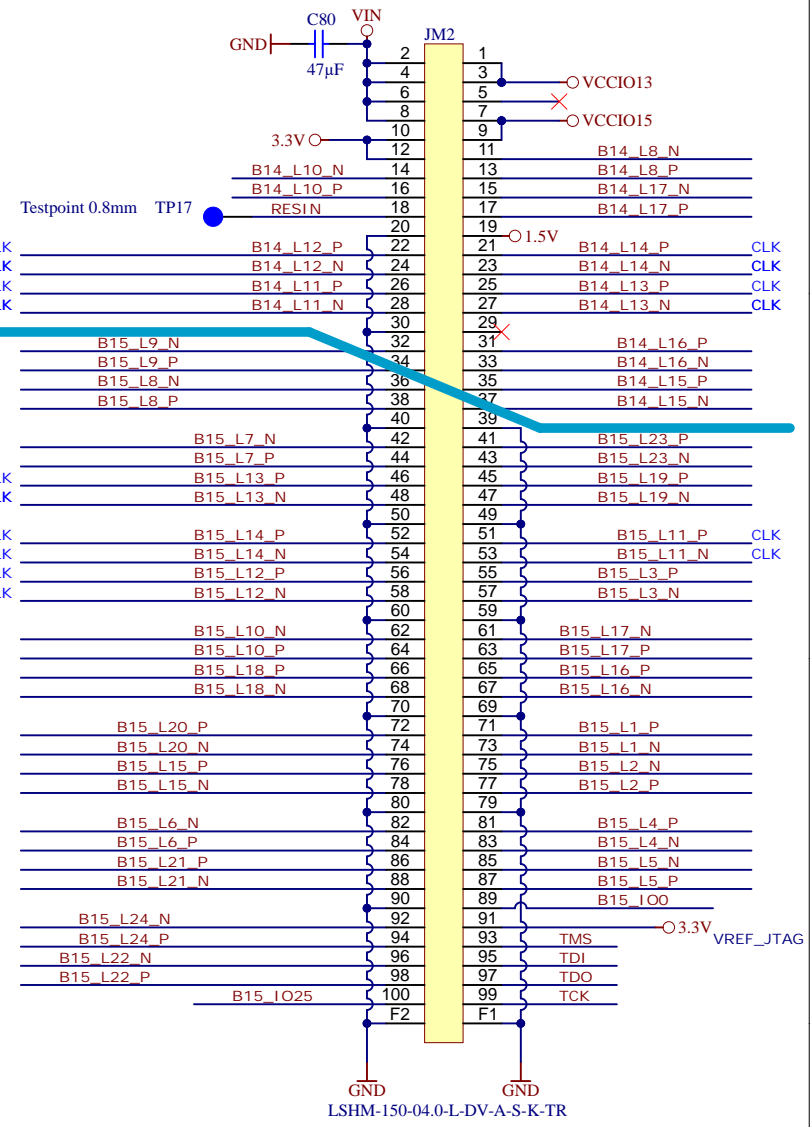
B

C

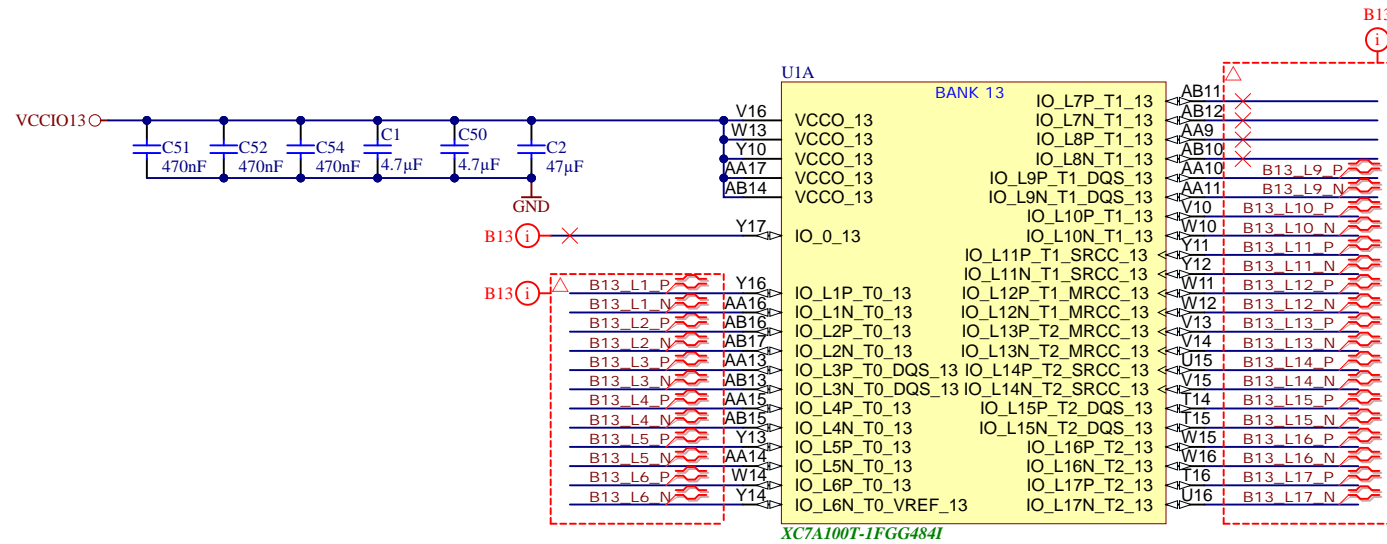
D



- TMS ● TP19 Testpoint 0.8mm
- TDI ● TP20 Testpoint 0.8mm
- TDO ● TP21 Testpoint 0.8mm
- TCK ● TP22 Testpoint 0.8mm



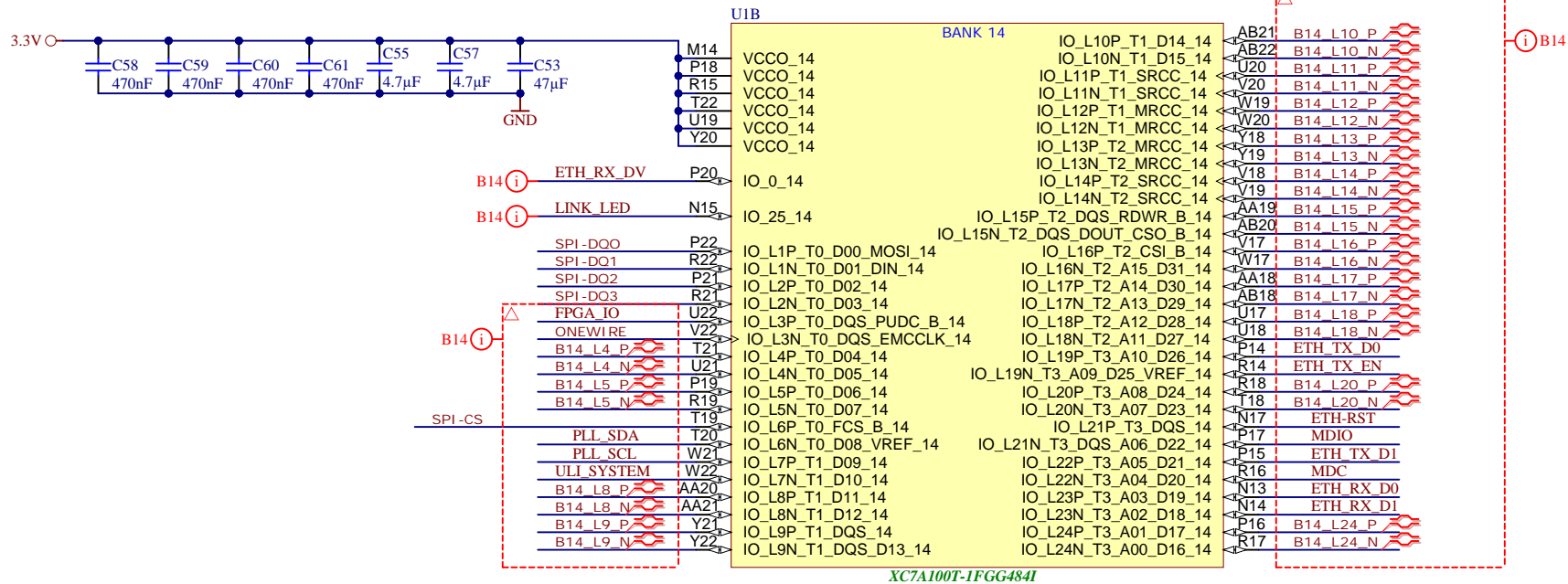
Title: B2B		
A4	Number: TE0712 71101-M	Rev. 02
Date: 2015-12-09	Copyright: Trenz Electronic GmbH	Page2 of 16
Filename: B2B-Connectors.SchDoc		



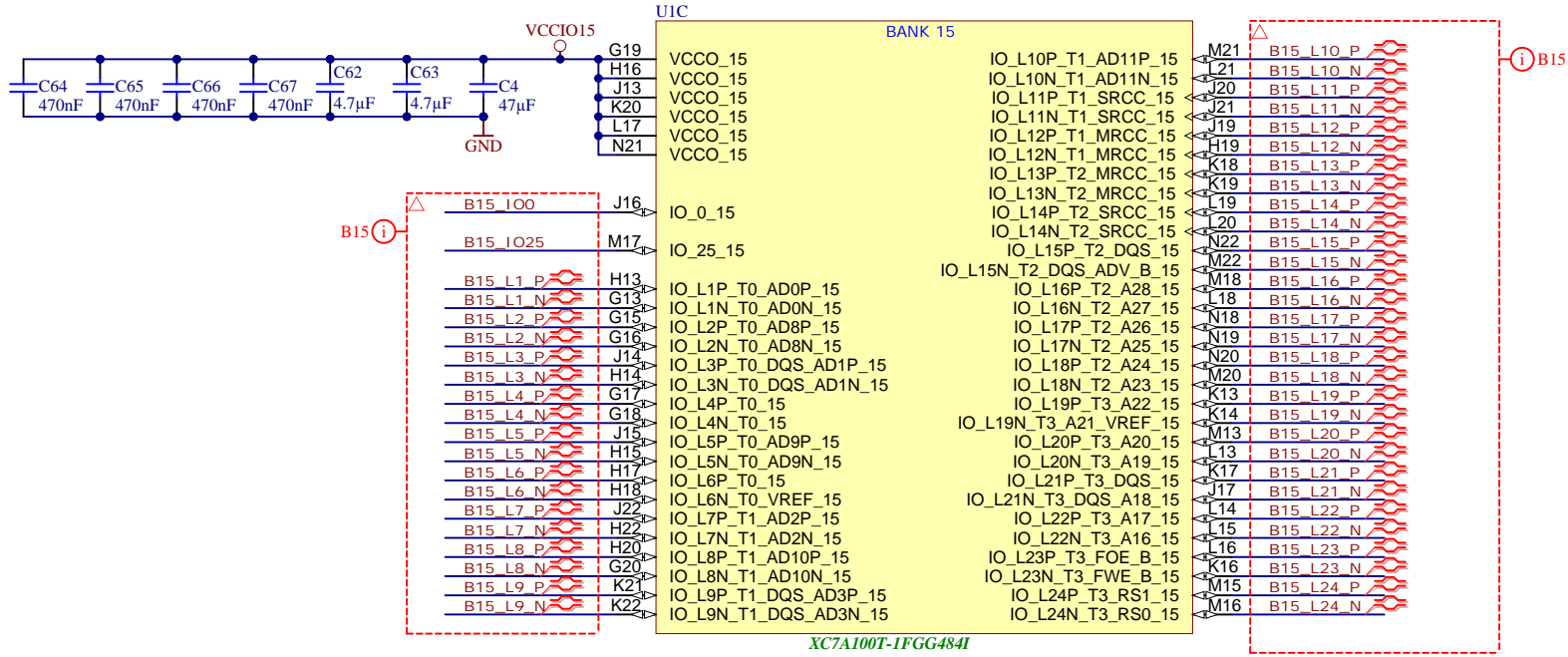
XC7A100T-IFGG484I



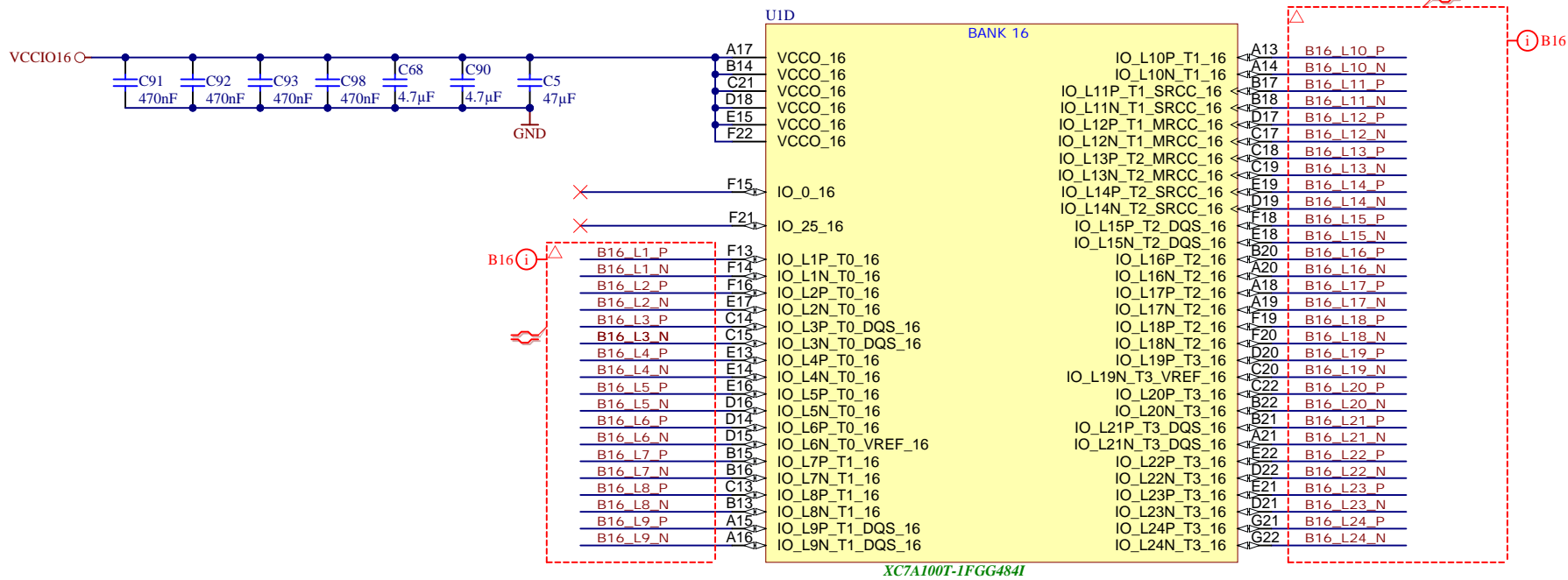
Title: B13		
A4	Number: TE0712 71101-M	Rev. 02
Date: 2015-12-09	Copyright: Trenz Electronic GmbH	Page 3 of 16
Filename: B13.SchDoc		



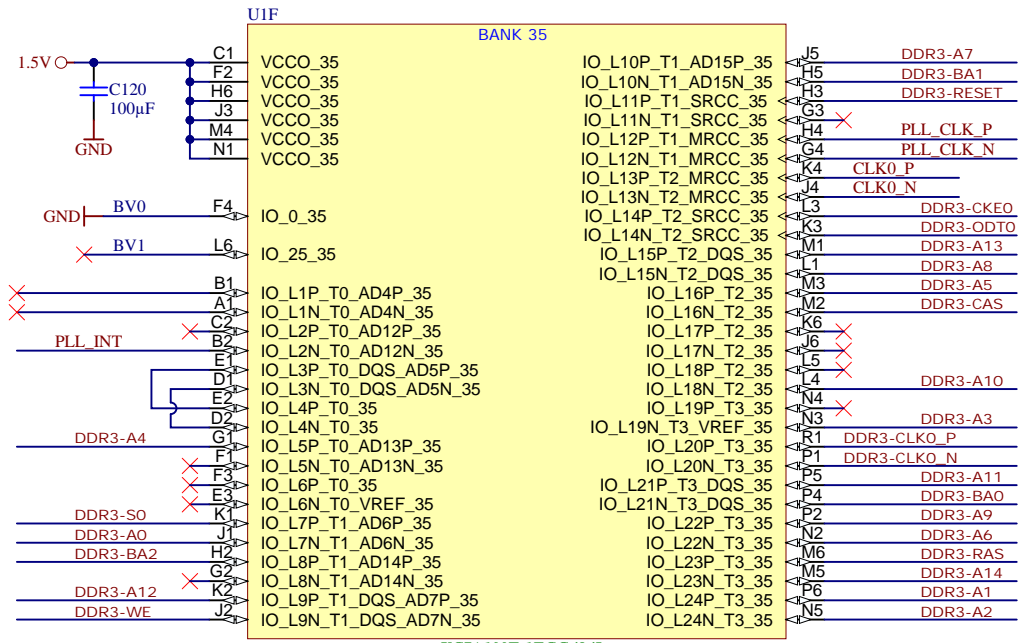
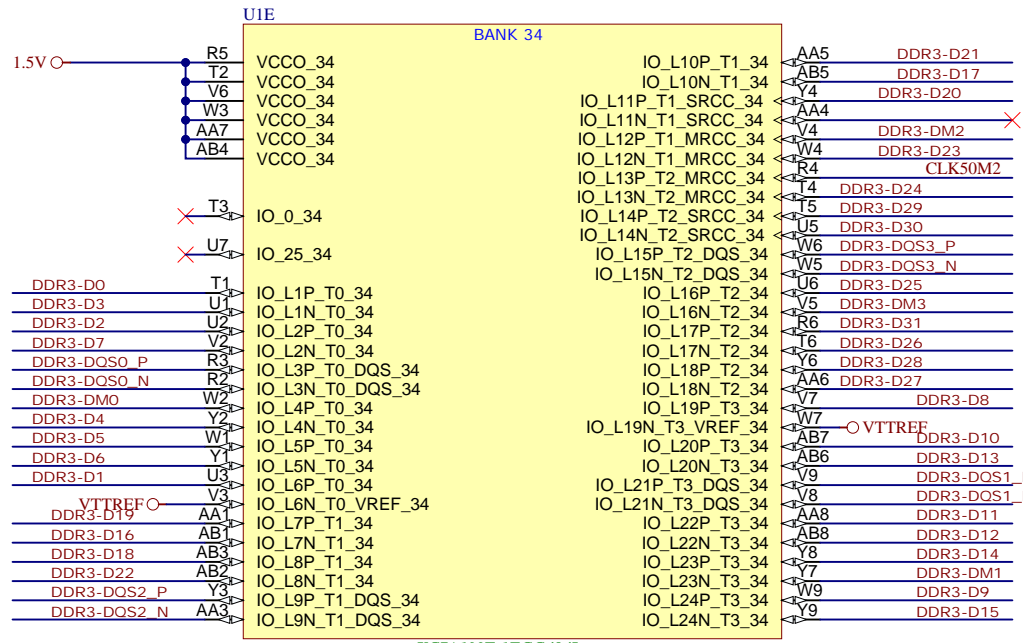
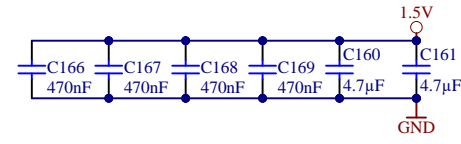
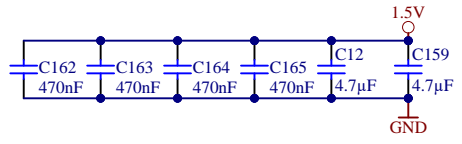
	Title: B14	
	A4	Number: TE0712 71101-M
	Date: 2015-12-09	Copyright: Trenz Electronic GmbH
	Filename: B14.SchDoc	
	Rev. 02	Page 4 of 16



	Title: B15		
	A4	Number: TE0712 71101-M	Rev. 02
	Date: 2015-12-09	Copyright: Trenz Electronic GmbH	
	Page 5 of 16		
Filename: B15.SchDoc			

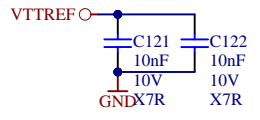
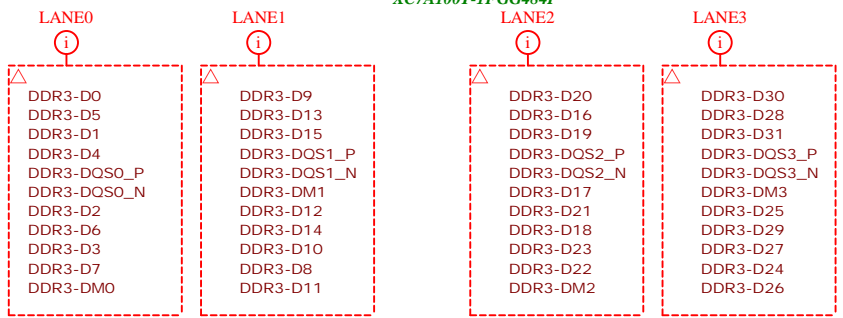


	Title: B16	
	A4	Number: TE0712 71I01-M
	Date: 2015-12-09	Copyright: Trenz Electronic GmbH
	Rev. 02	Page 6 of 16
Filename: B16.SchDoc		

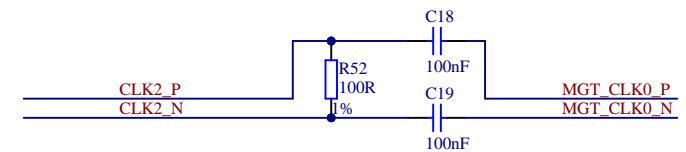
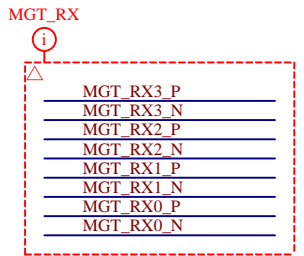
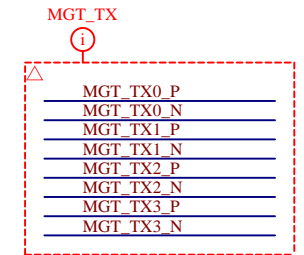
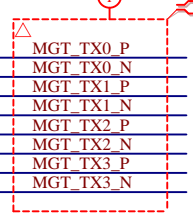
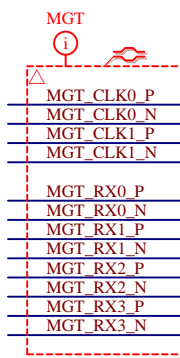
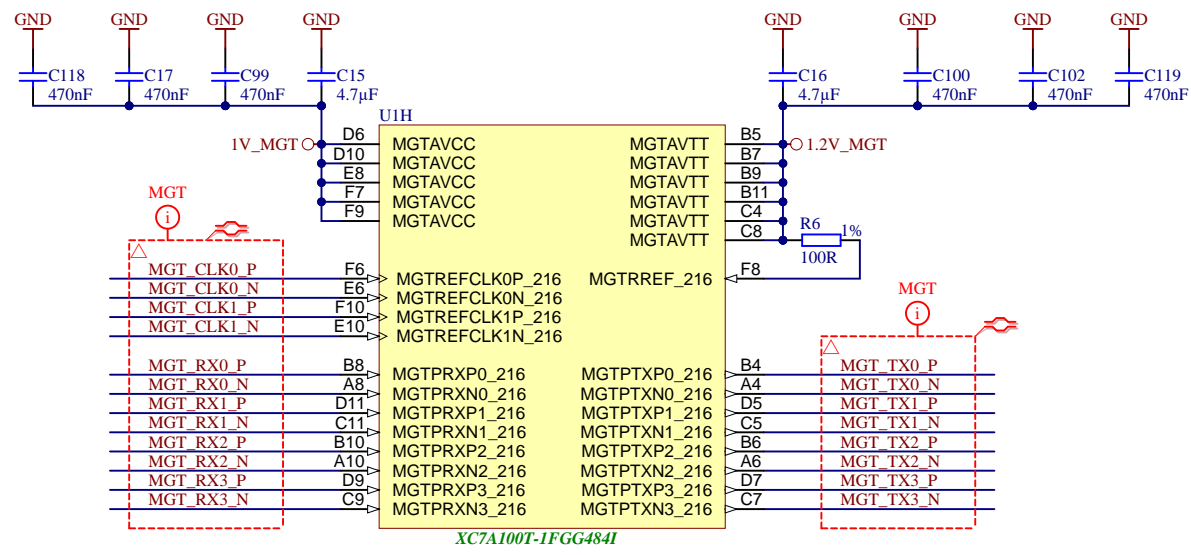


XC7A100T-1FGG4841

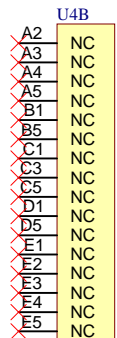
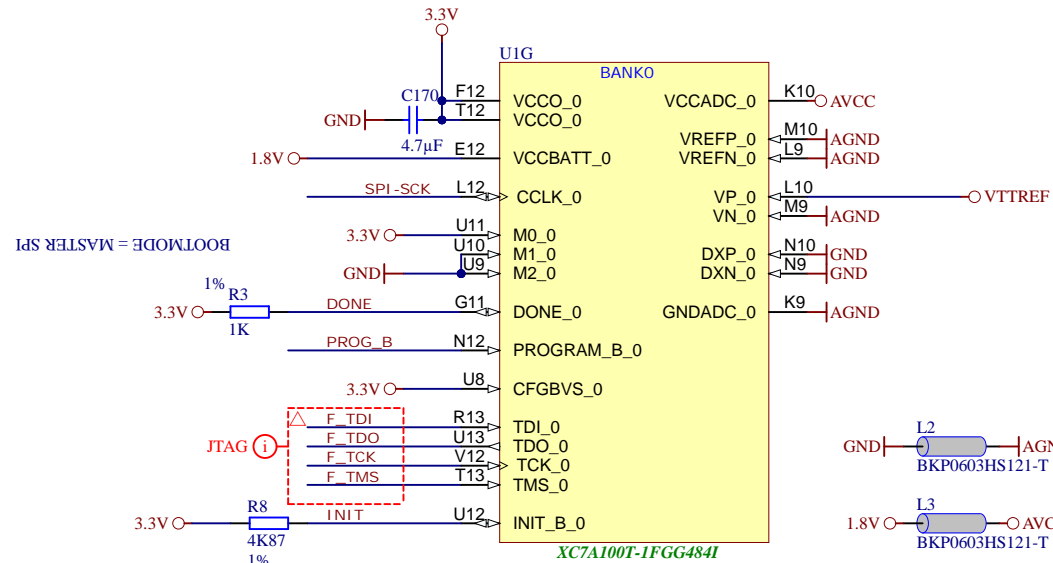
XC7A100T-1FGG4841



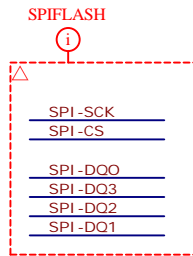
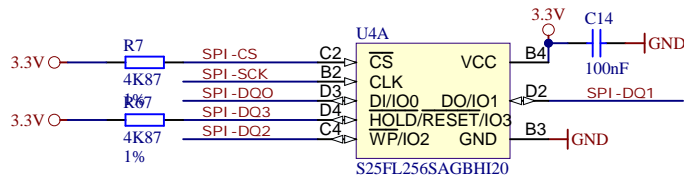
Title: B34		
A4	Number: TE0712 71101-M	Rev. 02
Date: 2015-12-09	Copyright: Trenz Electronic GmbH	Page 7 of 16
Filename: B34.SchDoc		



	Title: MGT		
	A4	Number: TE0712 71101-M	Rev. 02
	Date: 2015-12-09	Copyright: Trenz Electronic GmbH	Page 8 of 16
	Filename: FPGA-MGT.SchDoc		



S25FL256SAGBH120



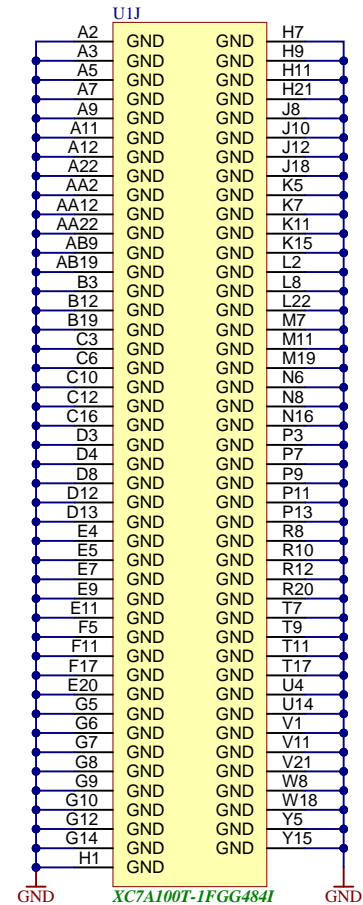
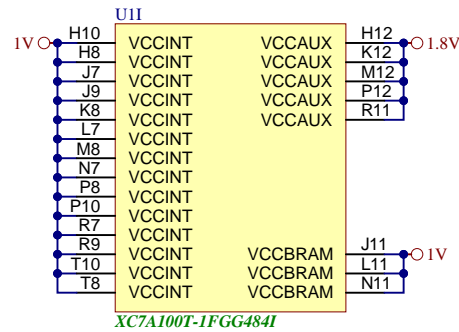
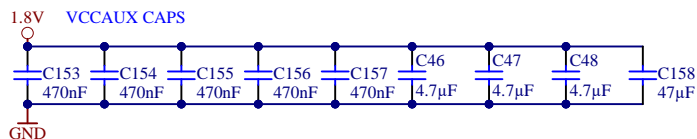
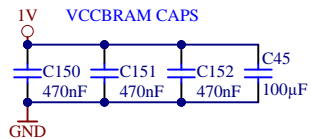
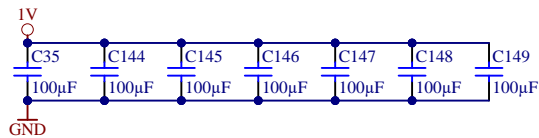
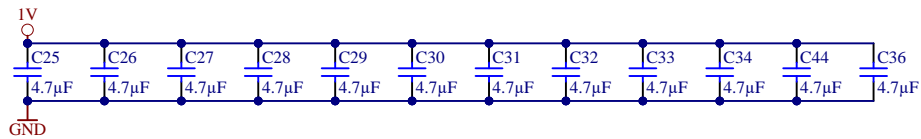
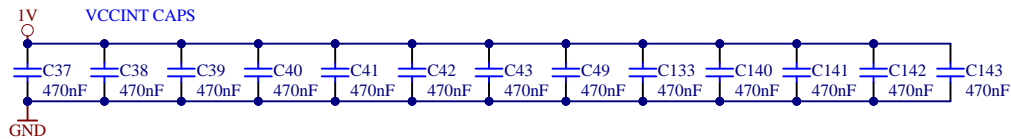
	Title: CFG		
	A4	Number: TE0712 71101-M	Rev. 02
	Date: 2015-12-09	Copyright: Trenz Electronic GmbH	Page 9 of 16
	Filename: FPGA-CFG.SchDoc		

1

2

3

4



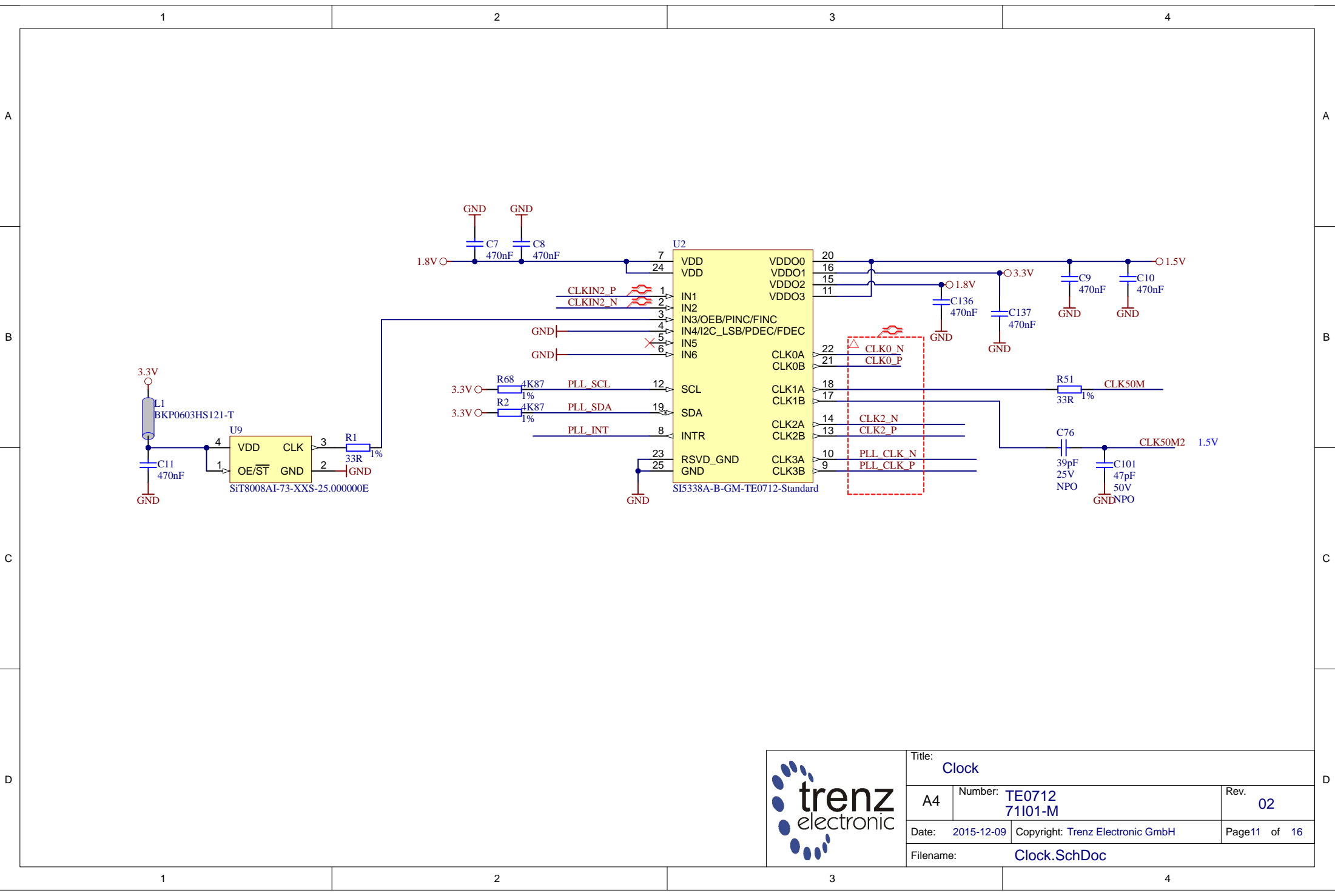
Title: PWR		
A4	Number: TE0712 71101-M	Rev. 02
Date: 2015-12-09	Copyright: Trenz Electronic GmbH	Page 10 of 16
Filename: FPGA-PWR.SchDoc		


1

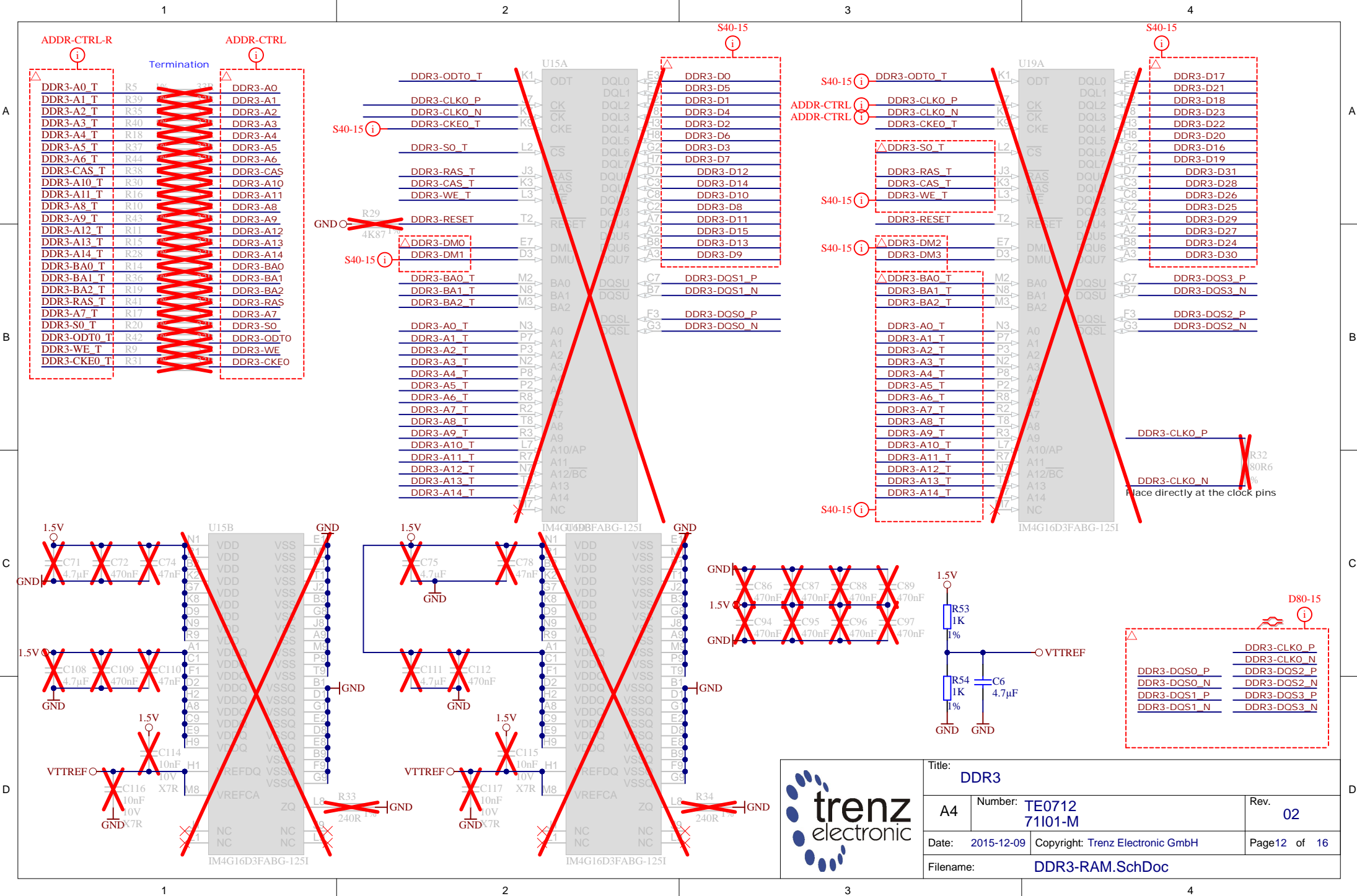
2

3

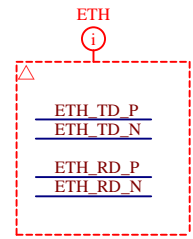
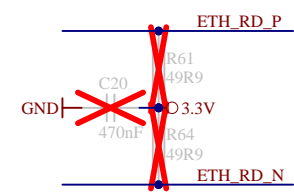
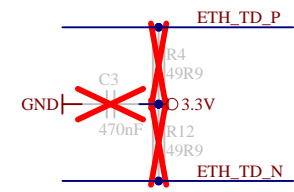
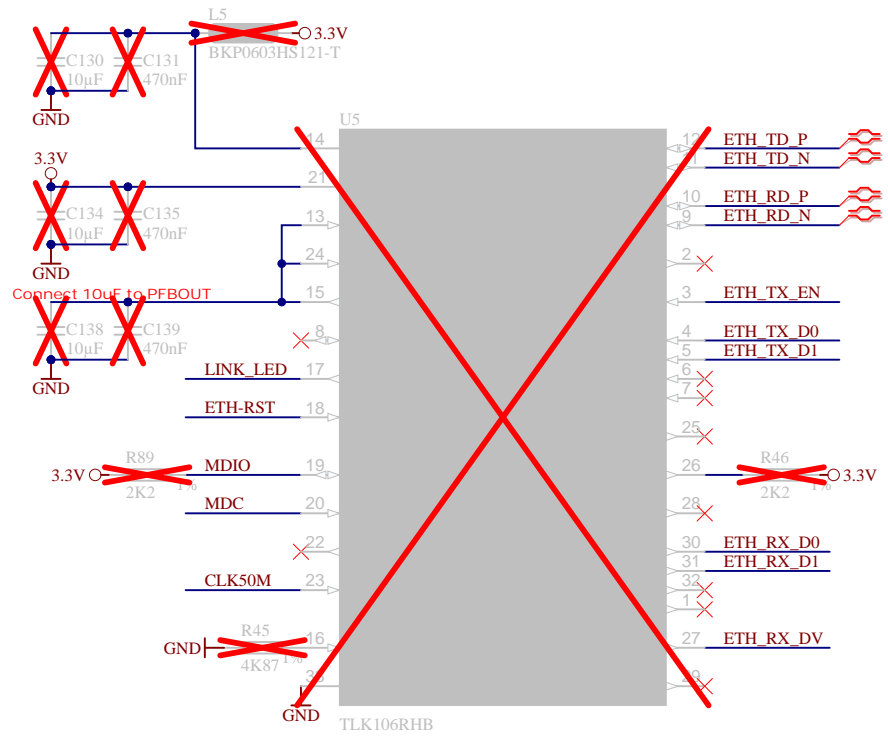
4



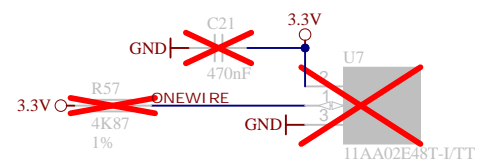
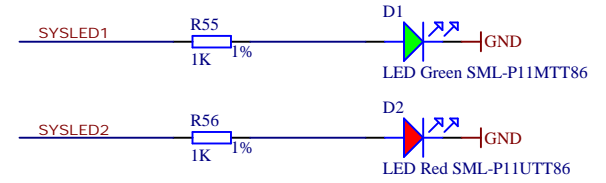
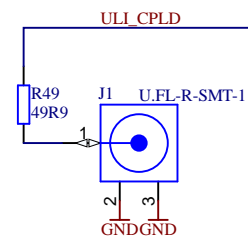
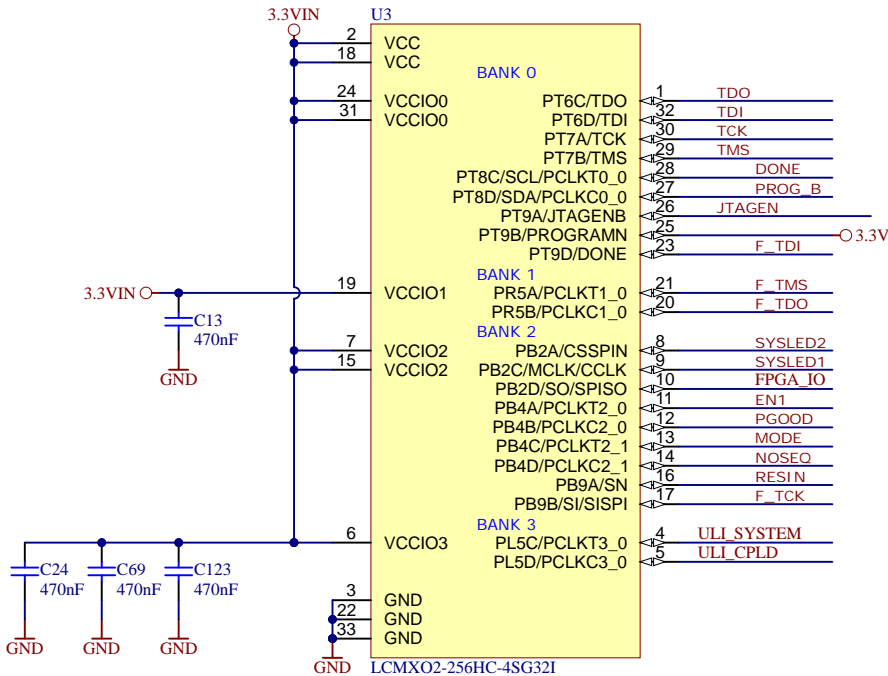
			Title: Clock	
			A4	Number: TE0712 71101-M
Date: 2015-12-09		Copyright: Trenz Electronic GmbH		Page 11 of 16
Filename: Clock.SchDoc				



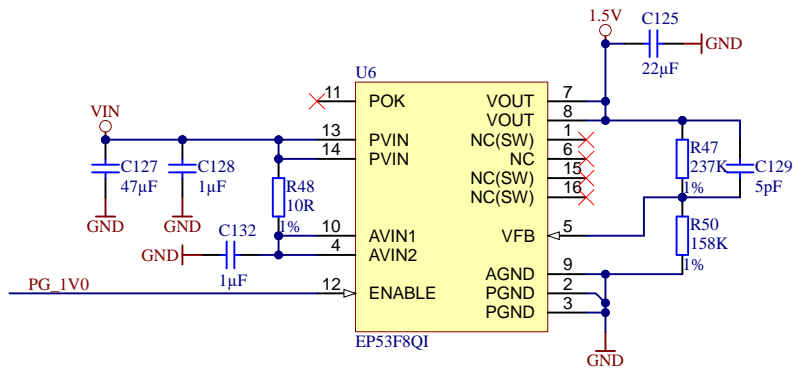
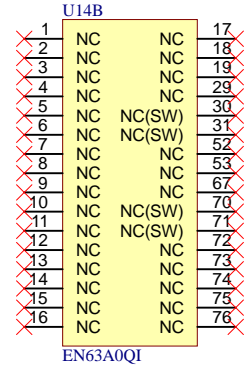
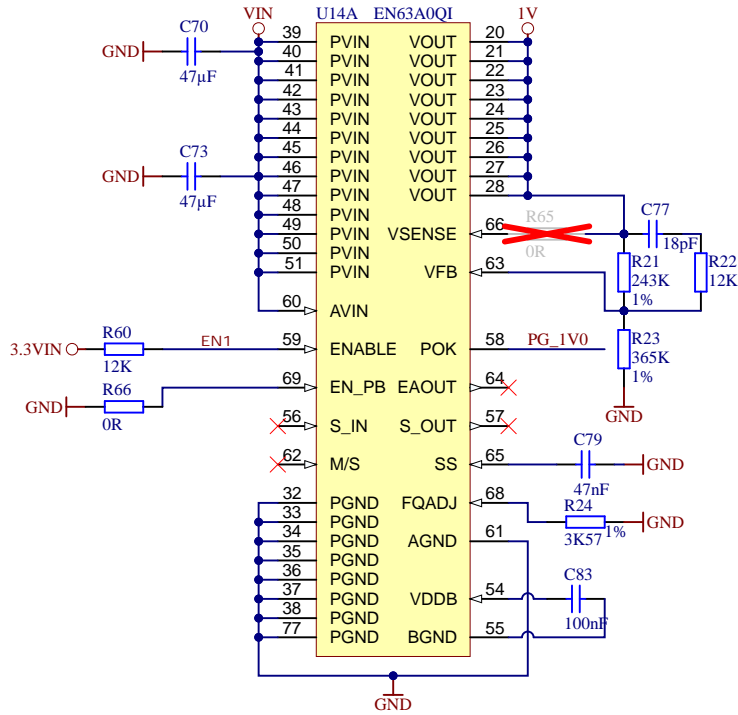
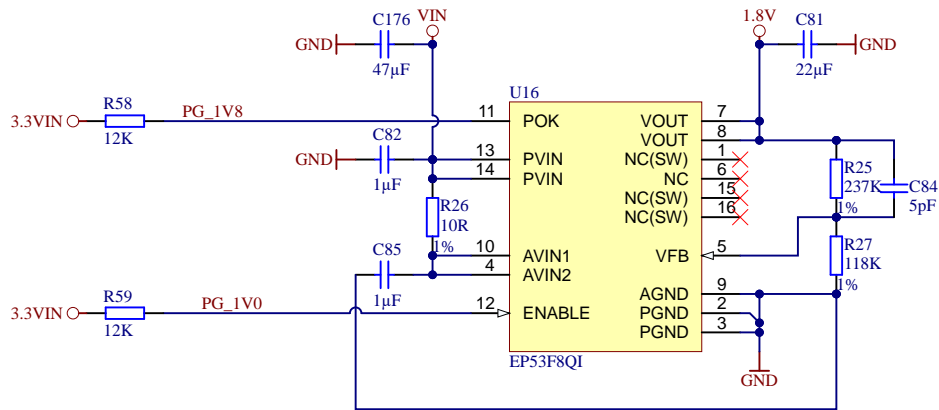
Title: DDR3		
A4	Number: TE0712 71101-M	Rev. 02
Date: 2015-12-09	Copyright: Trenz Electronic GmbH	
Filename: DDR3-RAM.SchDoc		Page 12 of 16



	Title: ETH	
	A4	Number: TE0712 71101-M
	Date: 2015-12-09	Copyright: Trenz Electronic GmbH
	Rev. 02	Page 13 of 16
Filename: ETHERNET.SchDoc		

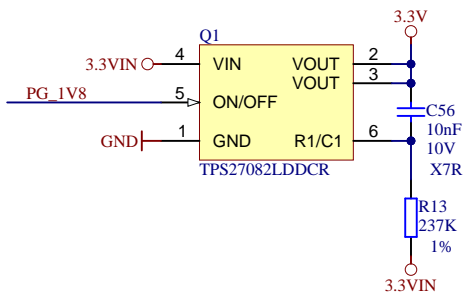


	Title: CPLD	
	A4	Number: TE0712 71101-M
	Date: 2015-12-09	Copyright: Trenz Electronic GmbH
	Rev. 02	Page 14 of 16
Filename: CPLD.SchDoc		



R65 R66 MODE EN63A0QI

 OK X | enable pre-bias start-up
 X OK | disable pre-bias start-up



- VIN ○ TP1 ● Testpoint 0.8mm
- 3.3VIN ○ TP4 ● Testpoint 0.8mm
- 3.3V ○ TP7 ● Testpoint 0.8mm
- 1.8V ○ TP10 ● Testpoint 0.8mm
- 1.5V ○ TP13 ● Testpoint 0.8mm
- VTTREF ○ TP3 ● Testpoint 0.8mm

- 1V ○ TP2 ● Testpoint 0.8mm
- 1.2V_MGT ○ TP5 ● Testpoint 0.8mm
- VCCIO13 ○ TP8 ● Testpoint 0.8mm
- VCCIO15 ○ TP11 ● Testpoint 0.8mm
- VCCIO16 ○ TP14 ● Testpoint 0.8mm

- GND ○ TP6 ● Testpoint 0.8mm
- GND ○ TP9 ● Testpoint 0.8mm
- GND ○ TP12 ● Testpoint 0.8mm
- GND ○ TP15 ● Testpoint 0.8mm
- GND ○ TP16 ● Testpoint 0.8mm



Title: PWR		
A4	Number: TE0712 71101-M	Rev. 02
Date: 2015-12-09	Copyright: Trenz Electronic GmbH	Page 15 of 16
Filename: PWR1.SchDoc		

1

2

3

4

A

A

B

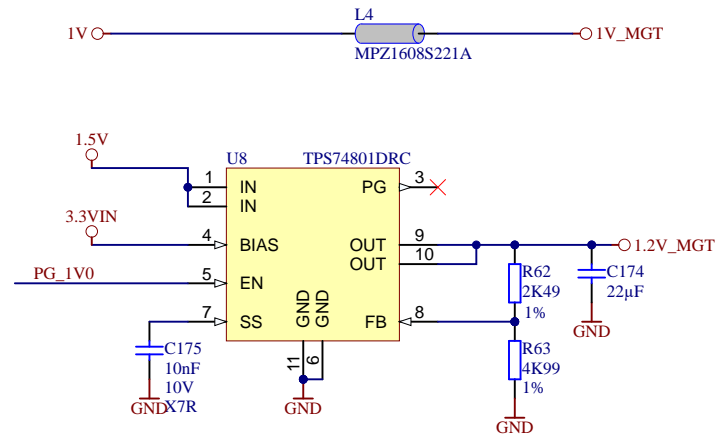
B


C

C

D

D



	Title: PWR		
	A4	Number: TE0712 71I01-M	Rev. 02
	Date: 2015-12-09	Copyright: Trenz Electronic GmbH	Page 16 of 16
	Filename: PWR2.SchDoc		

1

2

3

4