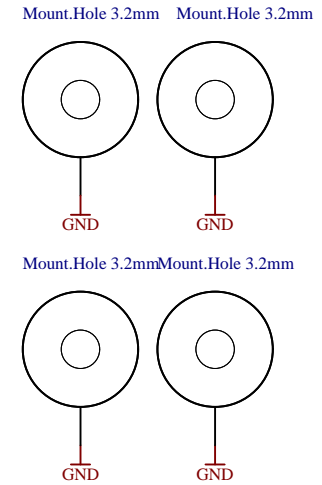
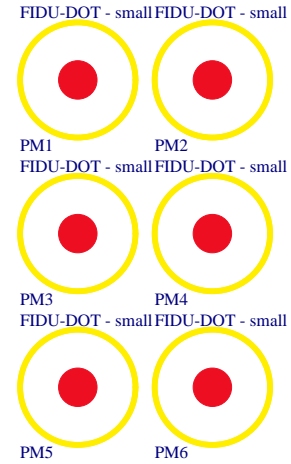


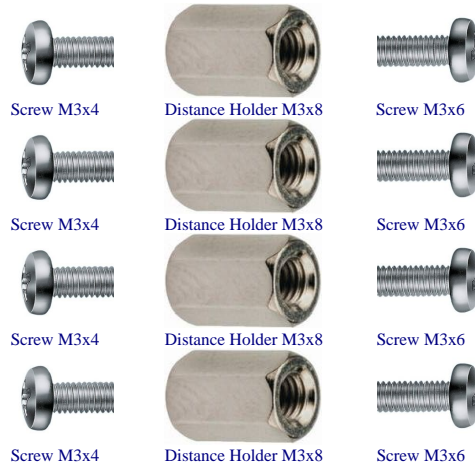
- U_B2B-Connectors
B2B-Connectors.SchDoc
- U_B13
B13.SchDoc
- U_B14
B14.SchDoc
- U_B15
B15.SchDoc
- U_B16
B16.SchDoc
- U_B34
B34.SchDoc
- U_FPGA-MGT
FPGA-MGT.SchDoc
- U_FPGA-CFG
FPGA-CFG.SchDoc
- U_FPGA-PWR
FPGA-PWR.SchDoc
- U_Clock
Clock.SchDoc
- U_DDR3-RAM
DDR3-RAM.SchDoc
- U_ETHERNET
ETHERNET.SchDoc
- U_CPLD
CPLD.SchDoc
- U_PWR1
PWR1.SchDoc
- U_PWR2
PWR2.SchDoc

Special notes:

DDR3 not populated
Ethernet PHY not populated



Top of Board



Serial
Serial
Serialnumber 6,3 x 6.3mm

Assembly variant 72C06-M
Created by MR
Modified by MR
Modified at 2021-02-16

SVN Revision

	Title: TE0712	
	A4	Number: TE0712 72C06-M
	Date: 2015-12-09	Copyright: Trenz Electronic GmbH
	Filename: TE0712.SchDoc	

Rev. 02

Page 1 of 16

A

B

C

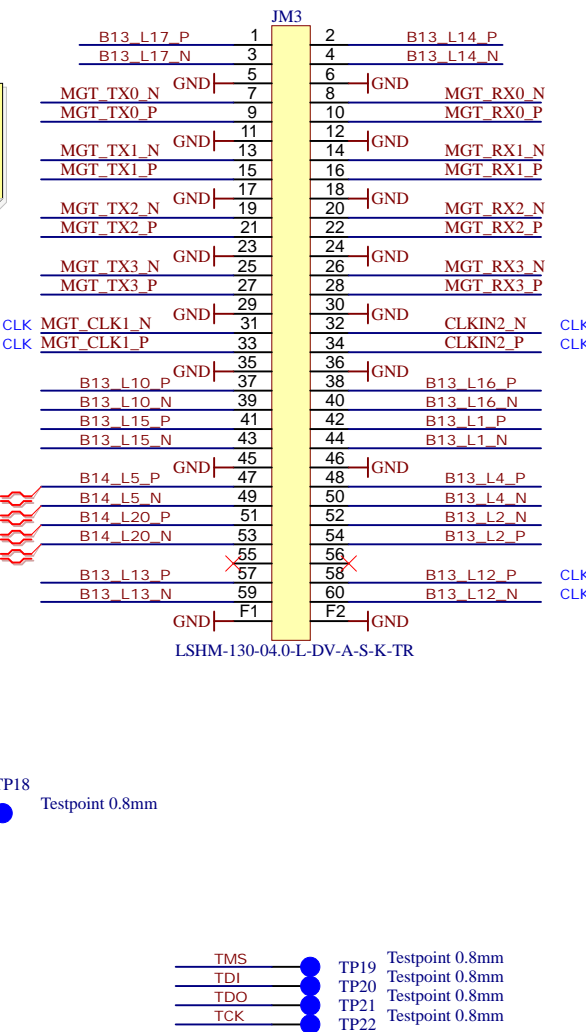
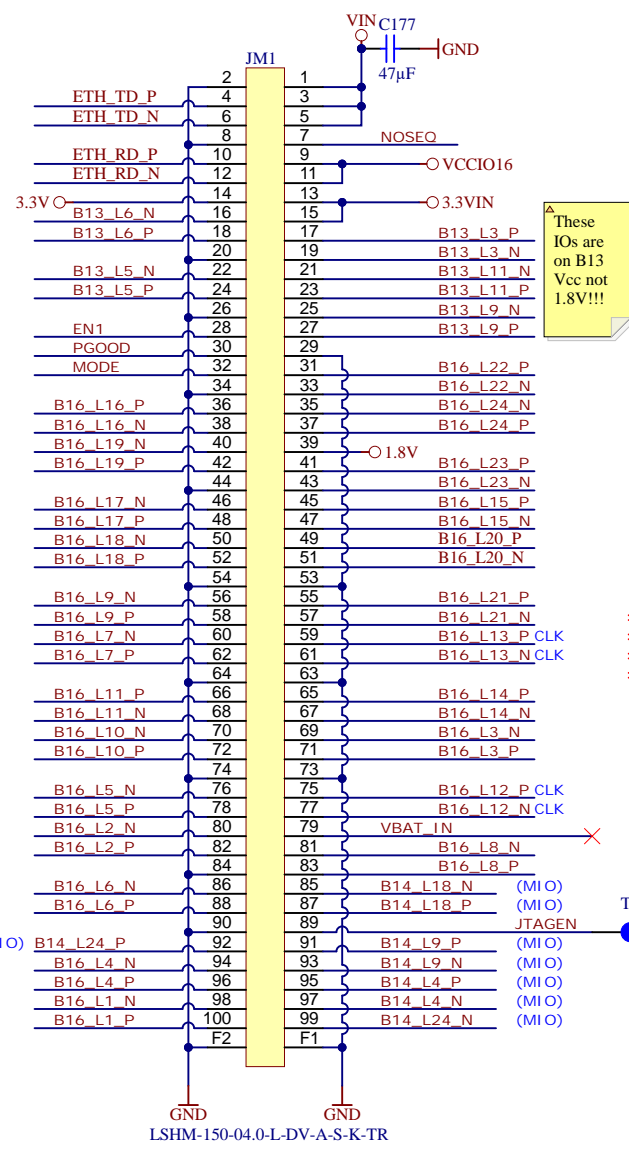
D

A

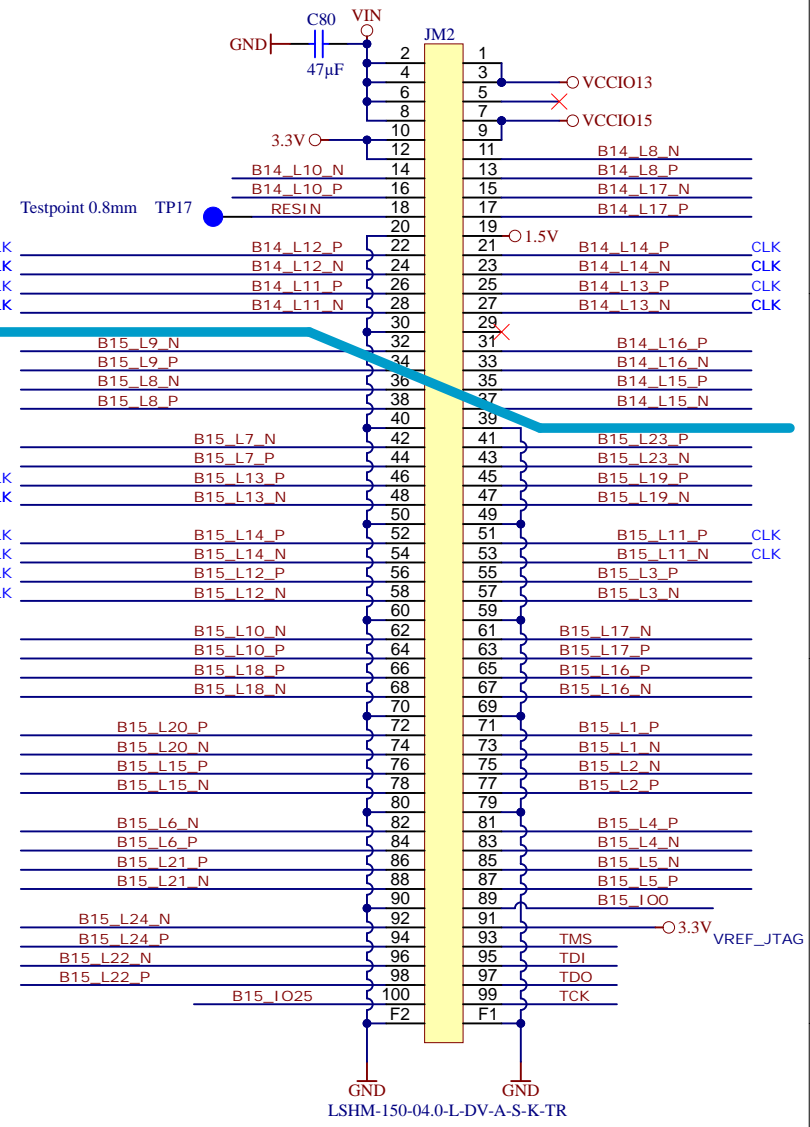
B

C

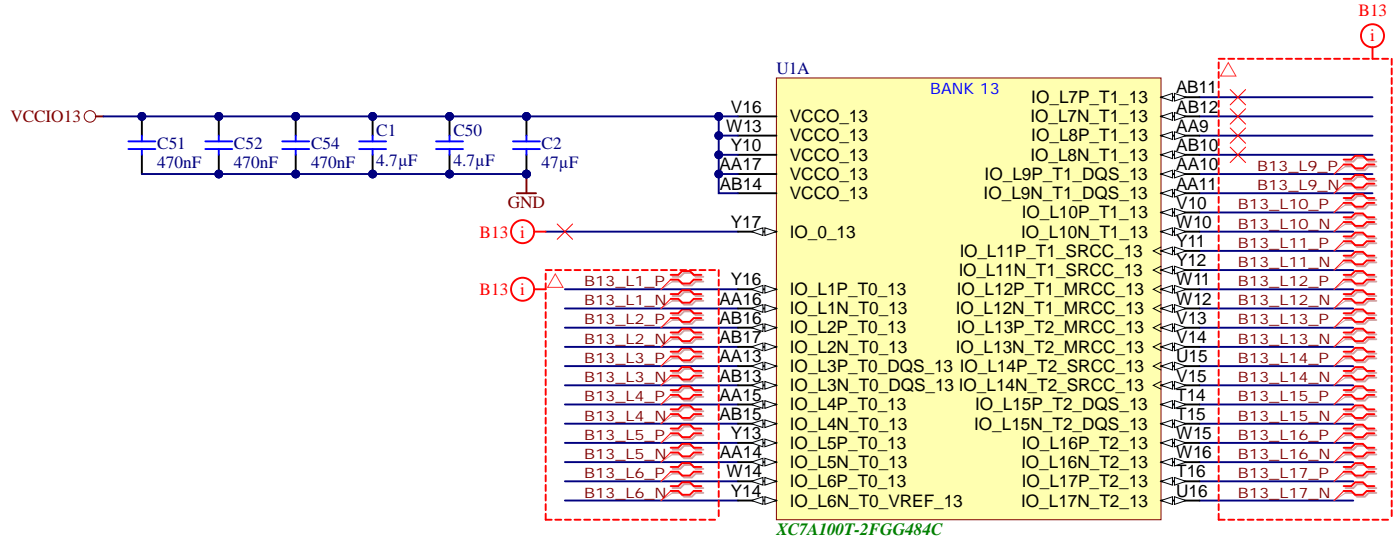
D



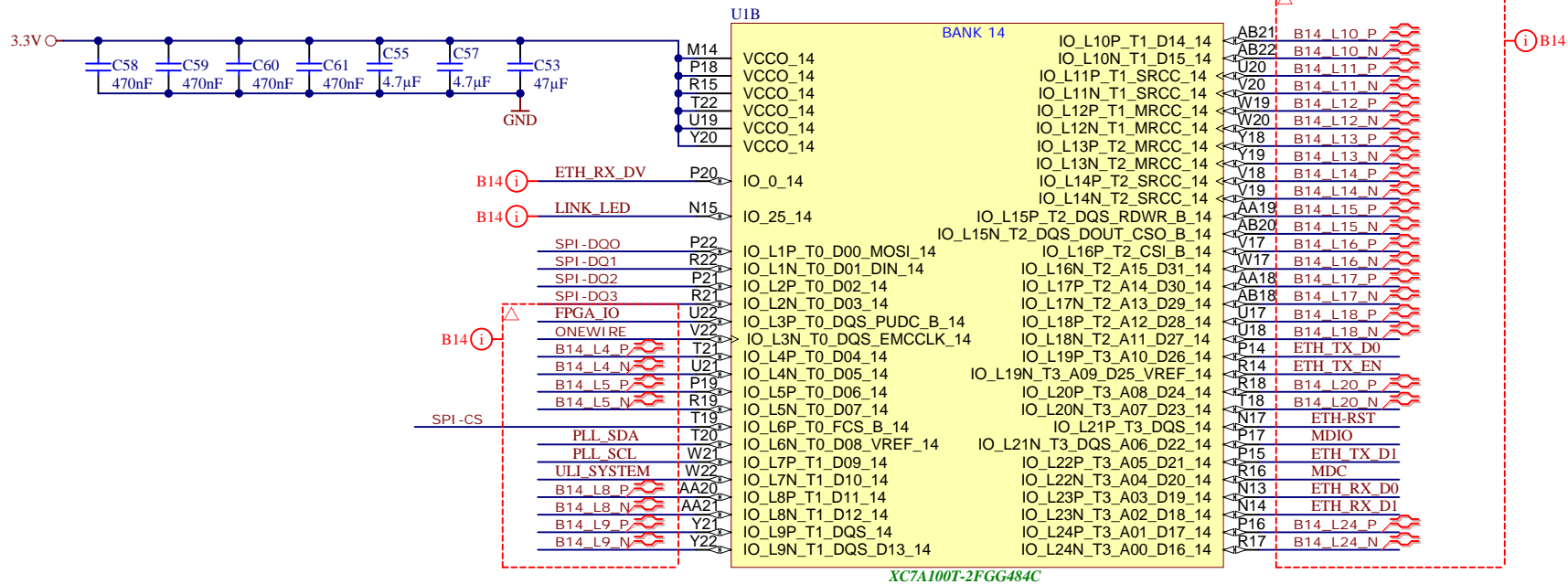
- TMS ● TP19 Testpoint 0.8mm
- TDI ● TP20 Testpoint 0.8mm
- TDO ● TP21 Testpoint 0.8mm
- TCK ● TP22 Testpoint 0.8mm



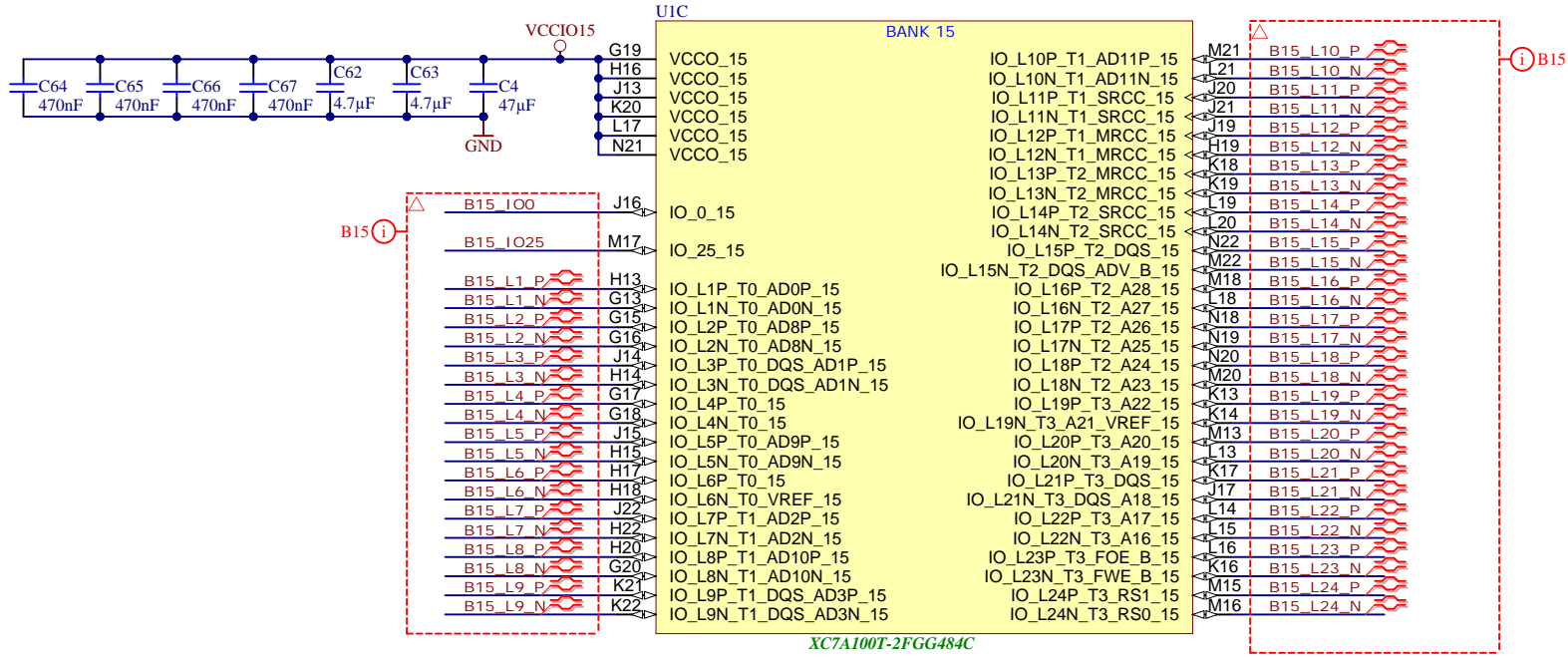
Title: B2B		
A4	Number: TE0712 72C06-M	Rev. 02
Date: 2015-12-09	Copyright: Trenz Electronic GmbH	Page2 of 16
Filename: B2B-Connectors.SchDoc		



	Title: B13	
	A4	Number: TE0712 72C06-M
	Date: 2015-12-09	Copyright: Trenz Electronic GmbH
	Filename: B13.SchDoc	



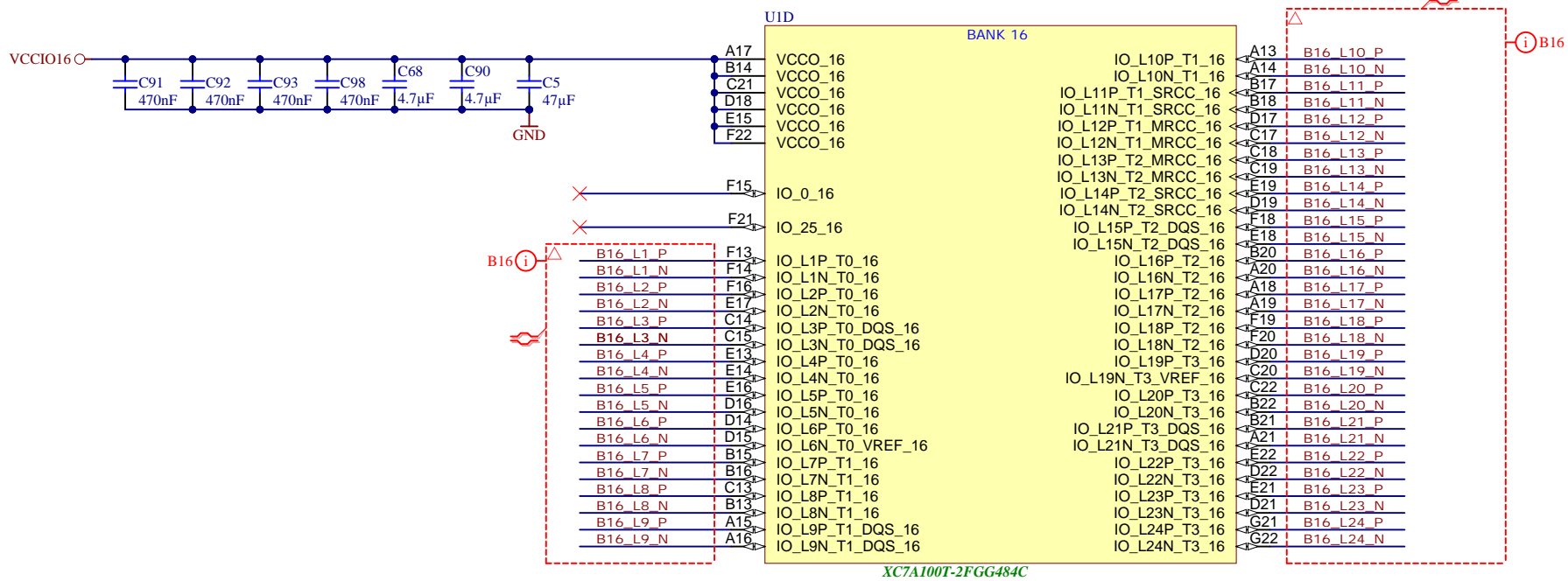
Title: B14		
A4	Number: TE0712 72C06-M	Rev. 02
Date: 2015-12-09	Copyright: Trenz Electronic GmbH	Page 4 of 16
Filename: B14.SchDoc		



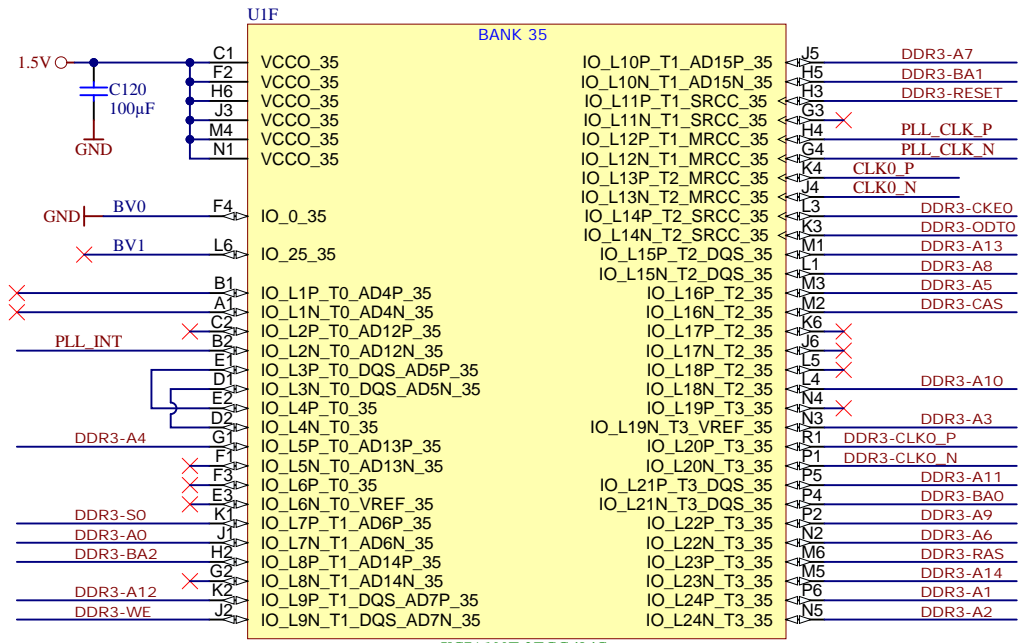
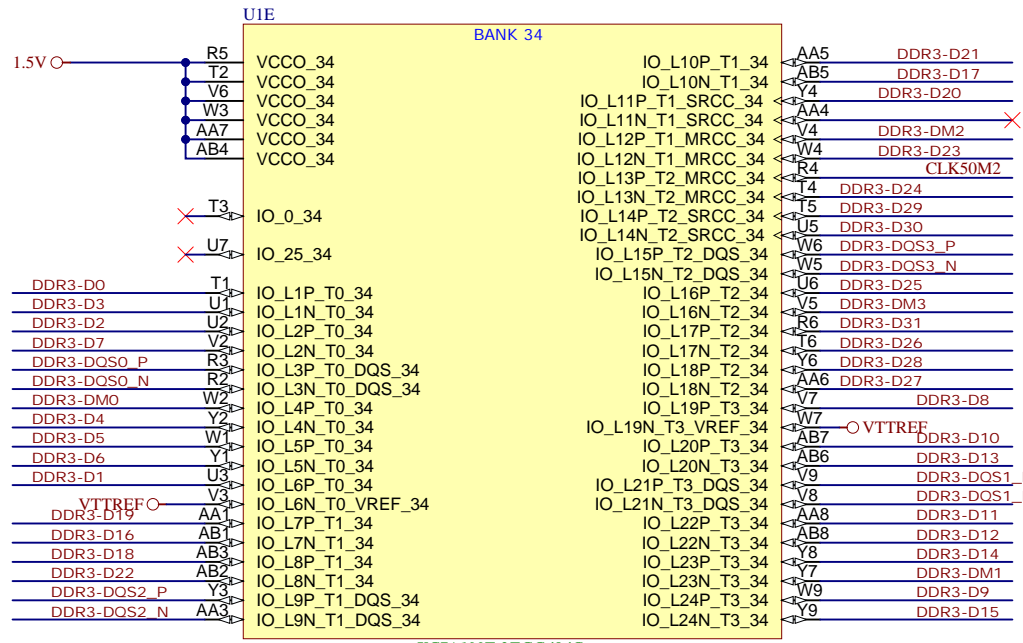
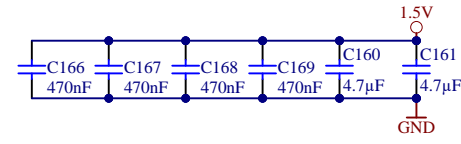
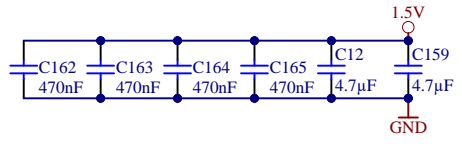
XC7A100T-2FGG484C



Title: B15		
A4	Number: TE0712 72C06-M	Rev. 02
Date: 2015-12-09	Copyright: Trenz Electronic GmbH	Page 5 of 16
Filename: B15.SchDoc		

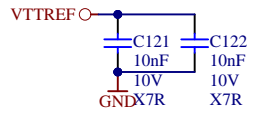
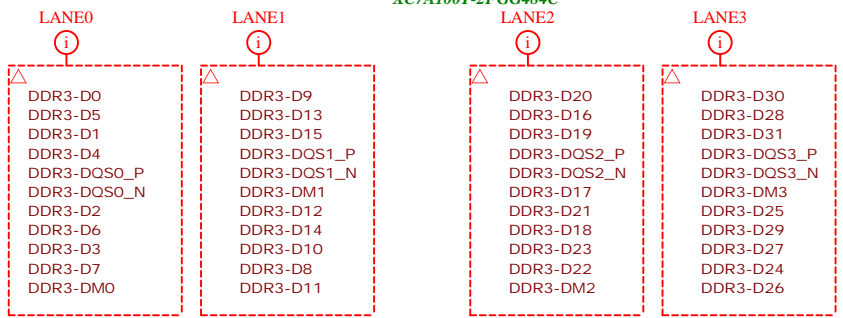


Title: B16		
A4	Number: TE0712 72C06-M	Rev. 02
Date: 2015-12-09	Copyright: Trenz Electronic GmbH	Page 6 of 16
Filename: B16.SchDoc		

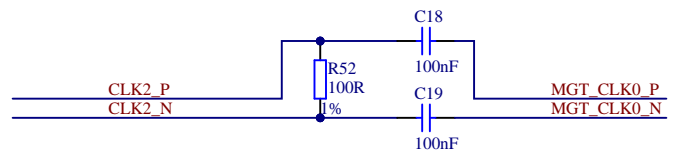
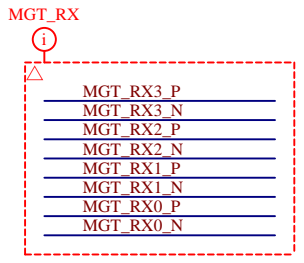
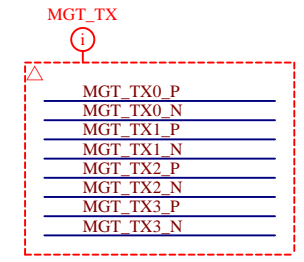
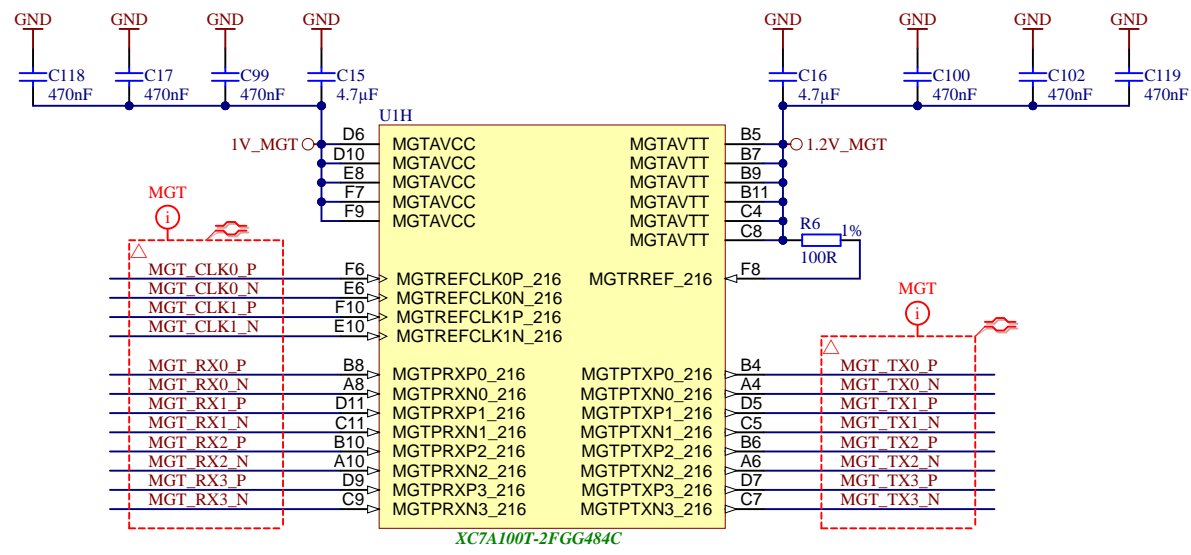


XC7A100T-2FGG484C

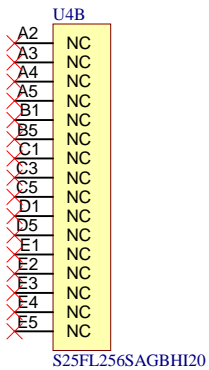
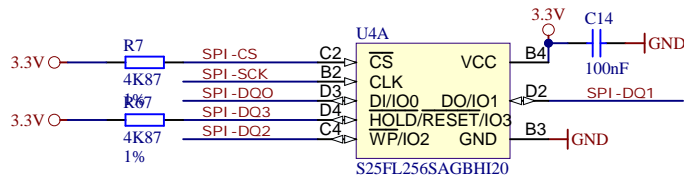
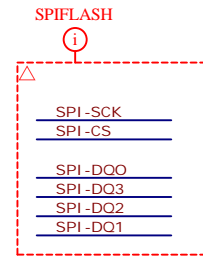
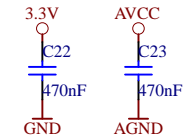
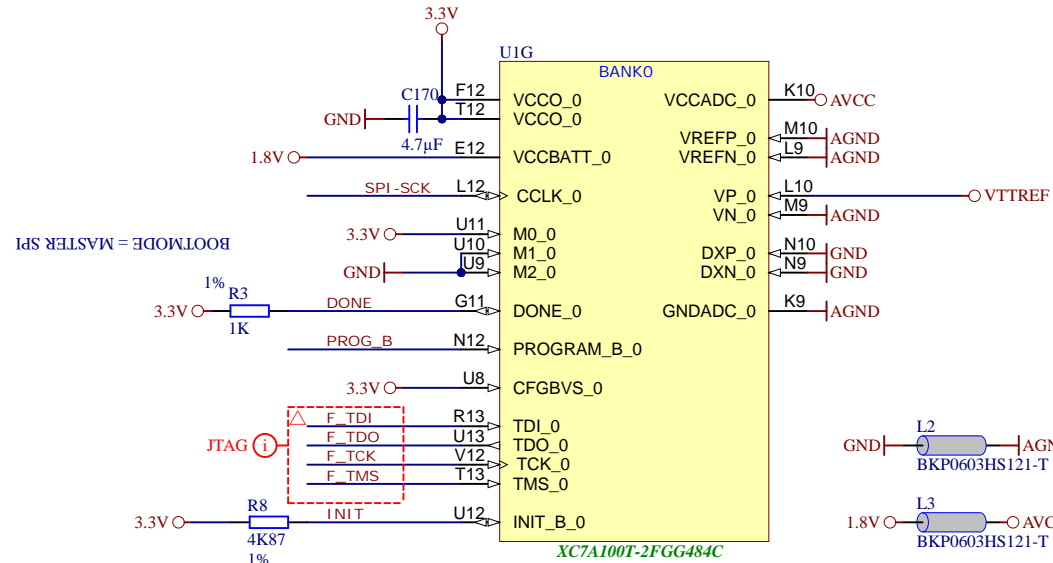
XC7A100T-2FGG484C



Title: B34		
A4	Number: TE0712 72C06-M	Rev. 02
Date: 2015-12-09	Copyright: Trenz Electronic GmbH	Page 7 of 16
Filename: B34.SchDoc		



	Title: MGT		
	A4	Number: TE0712 72C06-M	Rev. 02
	Date: 2015-12-09	Copyright: Trenz Electronic GmbH	Page 8 of 16
	Filename: FPGA-MGT.SchDoc		



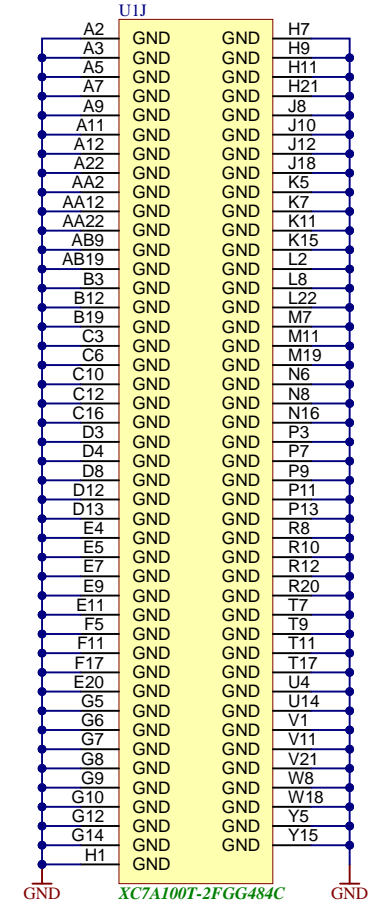
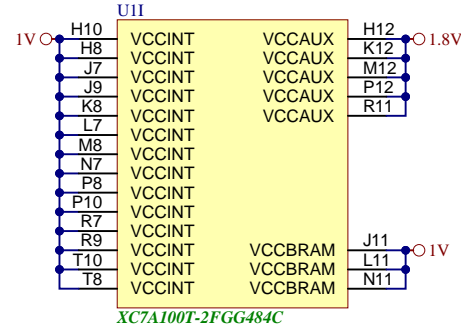
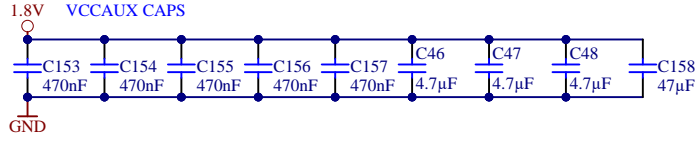
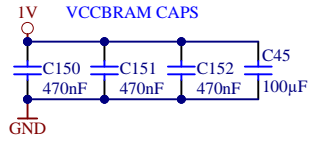
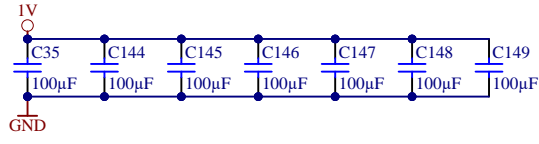
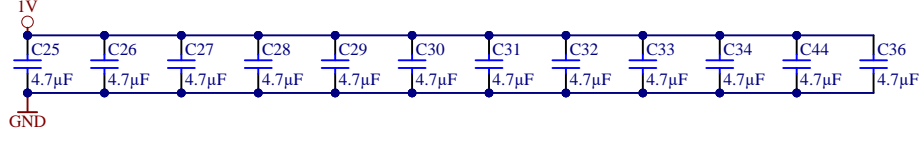
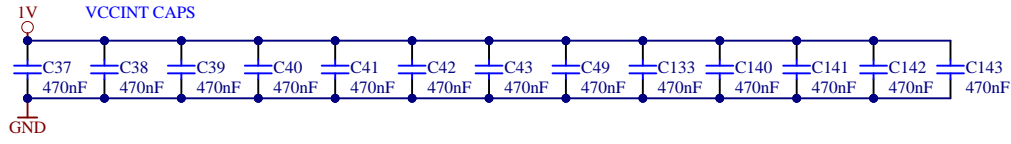
	Title: CFG		
	A4	Number: TE0712 72C06-M	Rev. 02
	Date: 2015-12-09	Copyright: Trenz Electronic GmbH	Page9 of 16
	Filename: FPGA-CFG.SchDoc		

1

2

3

4



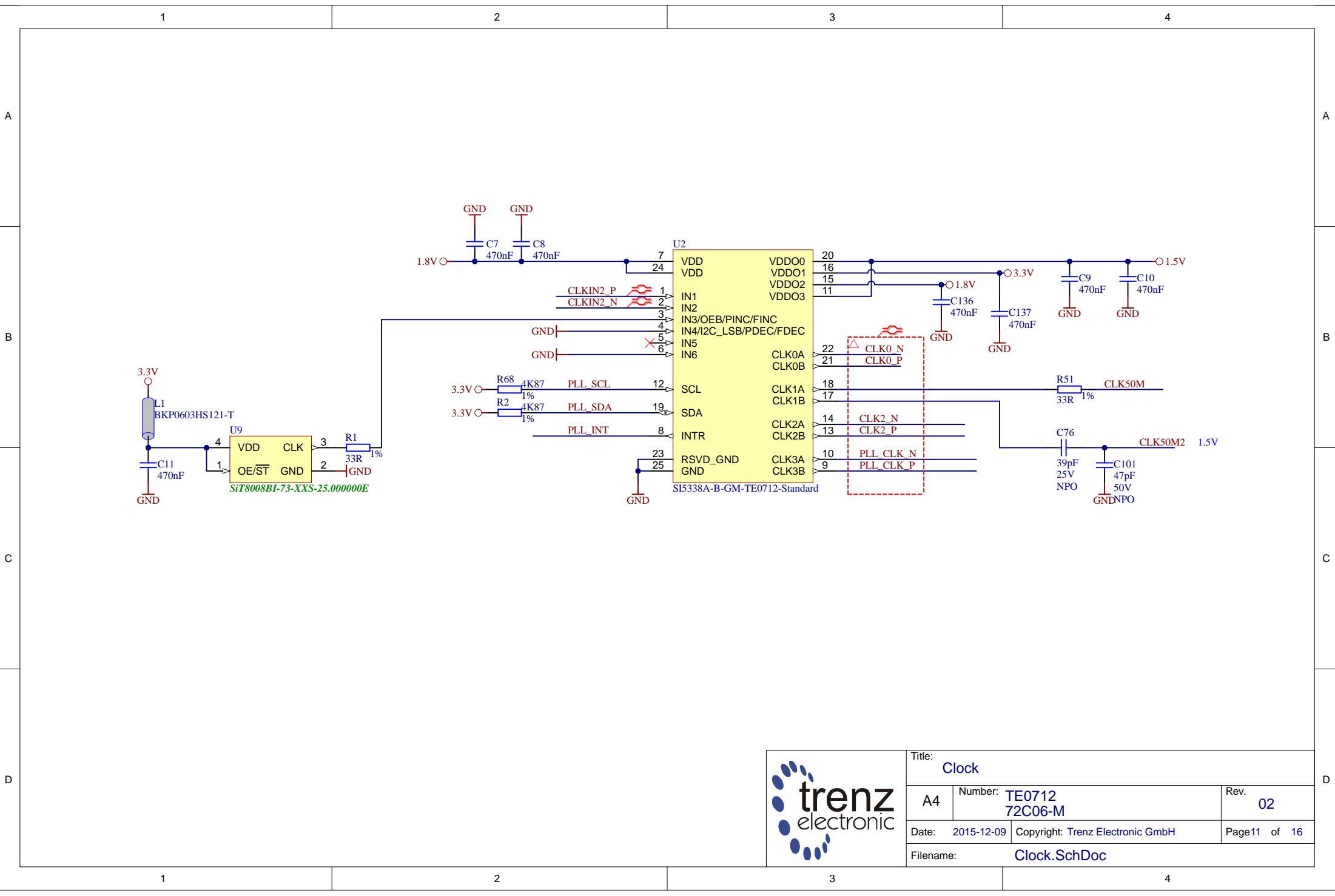
Title: PWR		
A4	Number: TE0712 72C06-M	Rev. 02
Date: 2015-12-09	Copyright: Trenz Electronic GmbH	Page 10 of 16
Filename: FPGA-PWR.SchDoc		


1

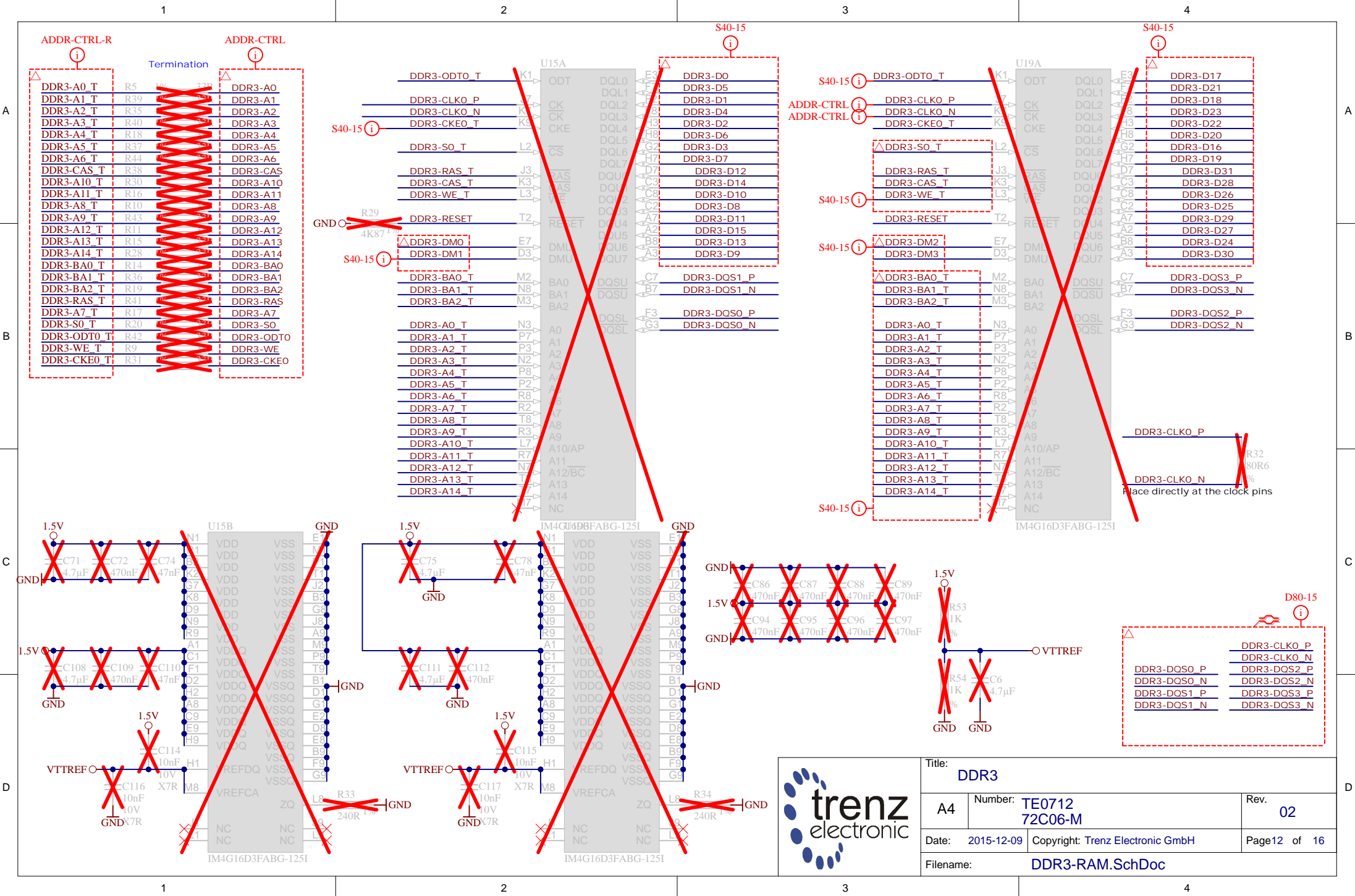
2

3

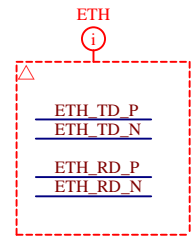
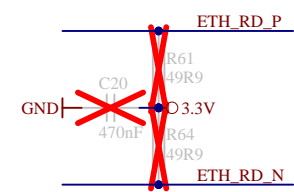
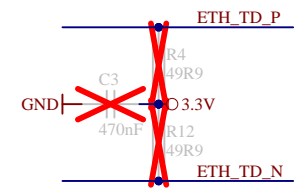
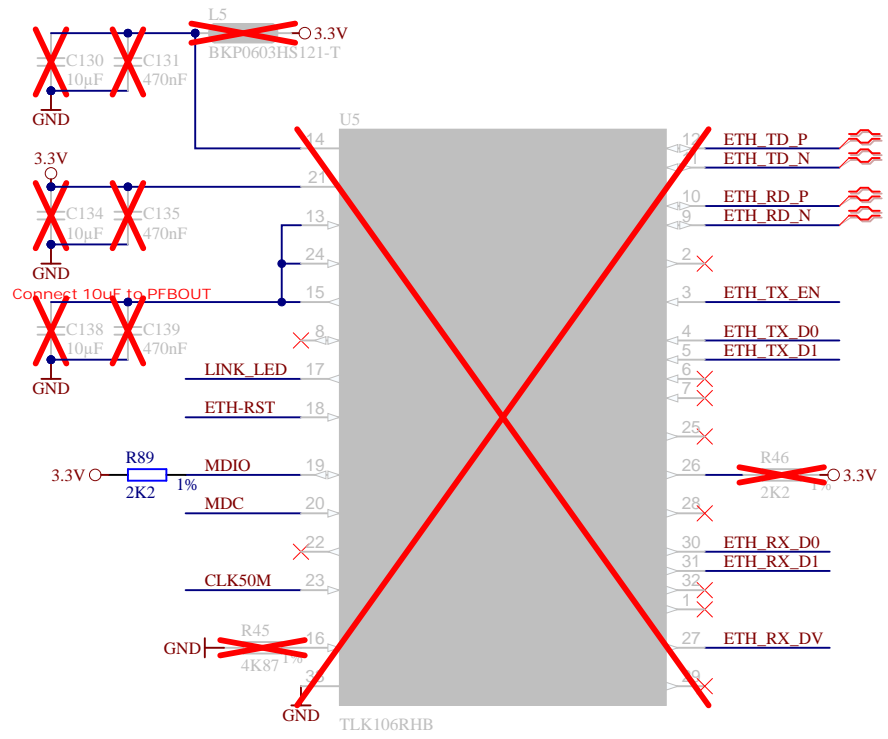
4




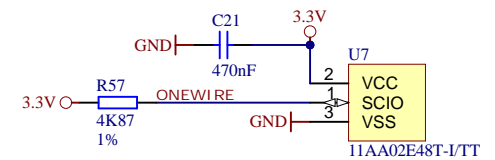
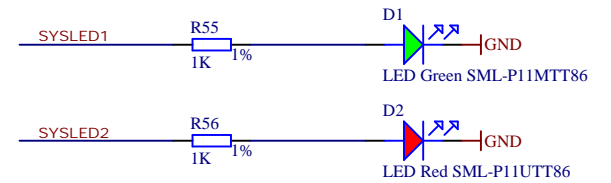
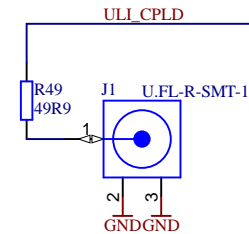
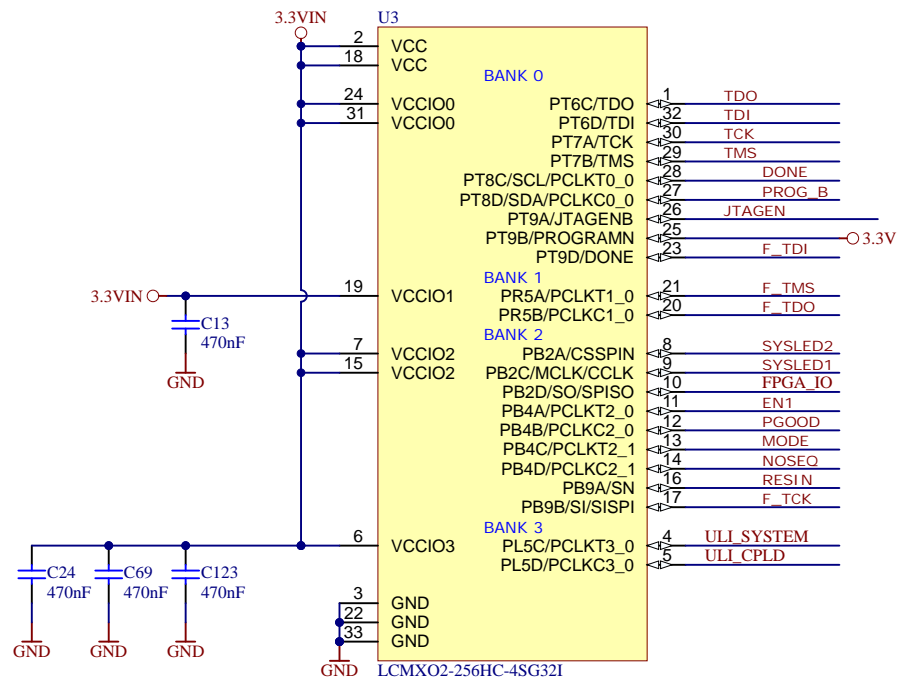
			Title: Clock	
			A4	Number: TE0712 72C06-M
Date: 2015-12-09		Copyright: Trenz Electronic GmbH		Page 11 of 16
Filename: Clock.SchDoc				




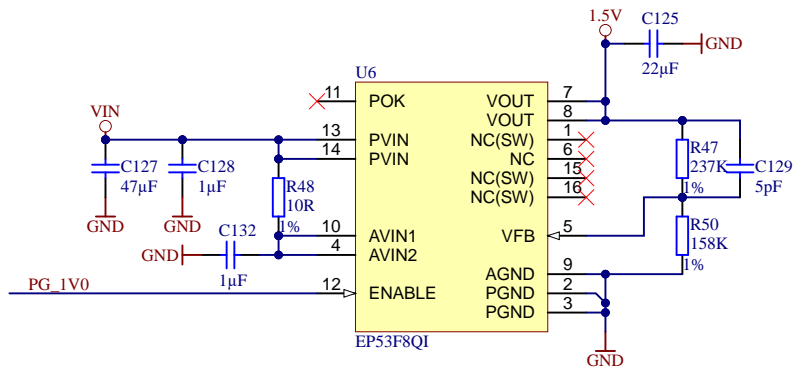
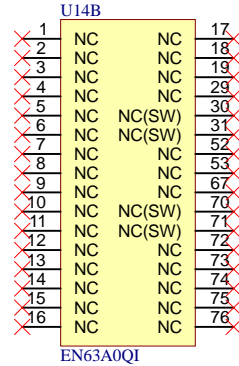
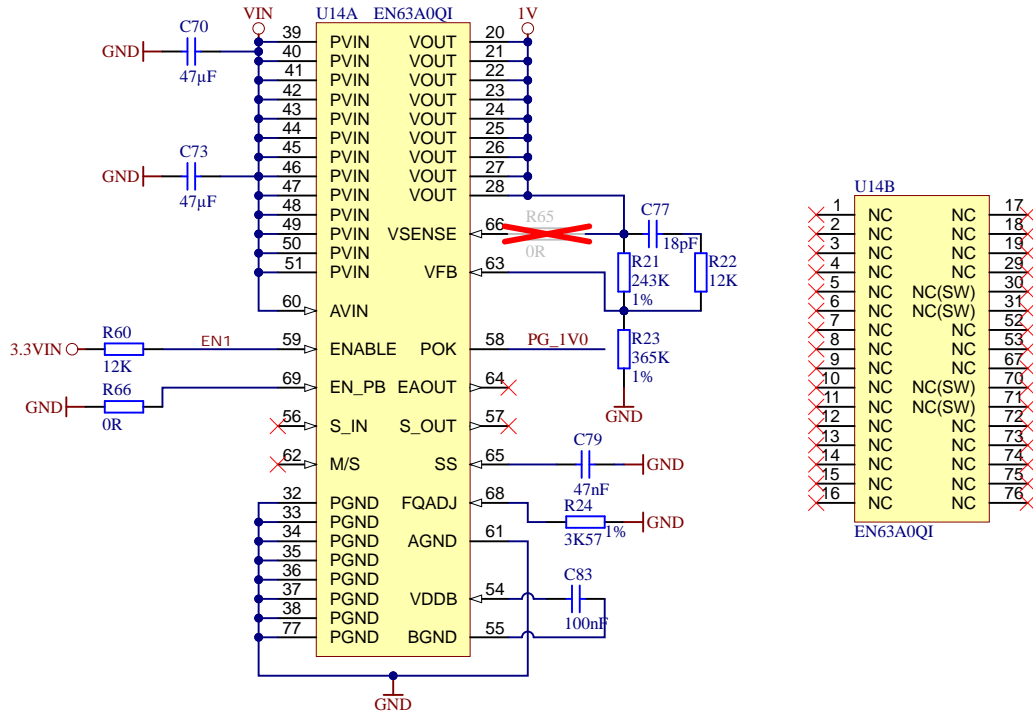
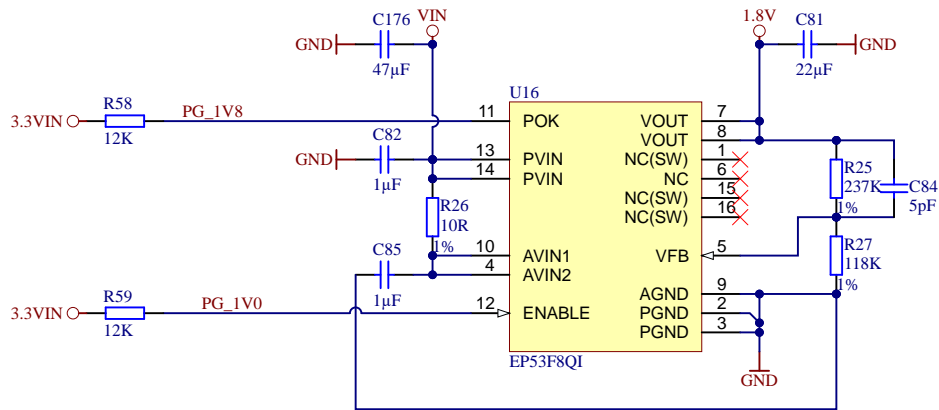
Title: DDR3		
A4	Number: TE0712 72C06-M	Rev. 02
Date: 2015-12-09	Copyright: Trenz Electronic GmbH	
Filename: DDR3-RAM.SchDoc		Page 12 of 16



	Title: ETH		
	A4	Number: TE0712 72C06-M	Rev. 02
	Date: 2015-12-09	Copyright: Trenz Electronic GmbH	Page 13 of 16
	Filename: ETHERNET.SchDoc		

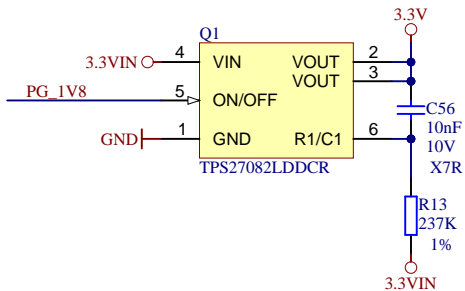


		Title: CPLD	
		A4	Number: TE0712 72C06-M
Date: 2015-12-09		Copyright: Trenz Electronic GmbH	
Page 14 of 16		Page 14 of 16	
Filename: CPLD.SchDoc			



R65 R66 MODE EN63A0QI

 OK X | enable pre-bias start-up
 X OK | disable pre-bias start-up



- VIN ○ TP1 ● Testpoint 0.8mm
- 3.3VIN ○ TP4 ● Testpoint 0.8mm
- 3.3V ○ TP7 ● Testpoint 0.8mm
- 1.8V ○ TP10 ● Testpoint 0.8mm
- 1.5V ○ TP13 ● Testpoint 0.8mm
- VTTREF ○ TP3 ● Testpoint 0.8mm

- 1V ○ TP2 ● Testpoint 0.8mm
- 1.2V_MGT ○ TP5 ● Testpoint 0.8mm
- VCCIO13 ○ TP8 ● Testpoint 0.8mm
- VCCIO15 ○ TP11 ● Testpoint 0.8mm
- VCCIO16 ○ TP14 ● Testpoint 0.8mm

- GND ○ TP6 ● Testpoint 0.8mm
- GND ○ TP9 ● Testpoint 0.8mm
- GND ○ TP12 ● Testpoint 0.8mm
- GND ○ TP15 ● Testpoint 0.8mm
- GND ○ TP16 ● Testpoint 0.8mm



Title: PWR		
A4	Number: TE0712 72C06-M	Rev. 02
Date: 2015-12-09	Copyright: Trenz Electronic GmbH	Page 15 of 16
Filename: PWR1.SchDoc		

1

2

3

4

A

A

B

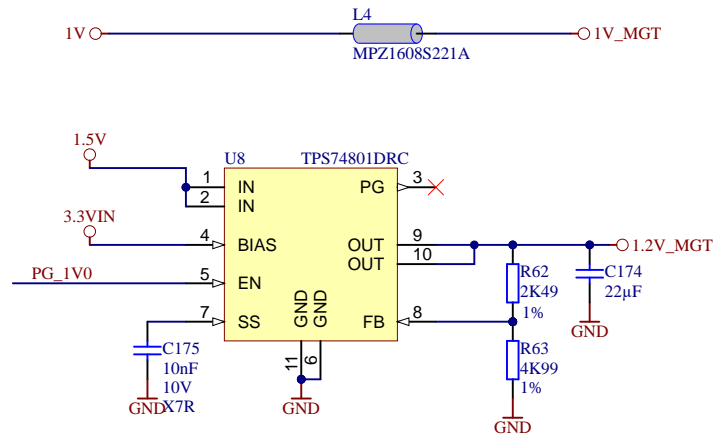
B


C

C

D

D



		Title: PWR	
		A4	Number: TE0712 72C06-M
Date: 2015-12-09		Copyright: Trenz Electronic GmbH	
Filename: PWR2.SchDoc		Page 16 of 16	

1

2

3

4