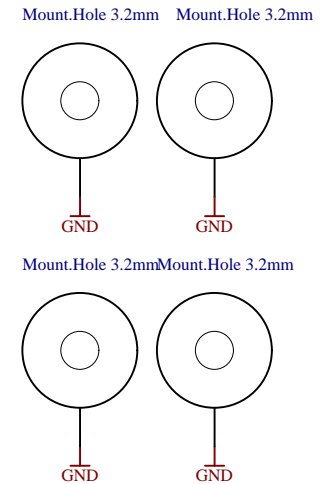
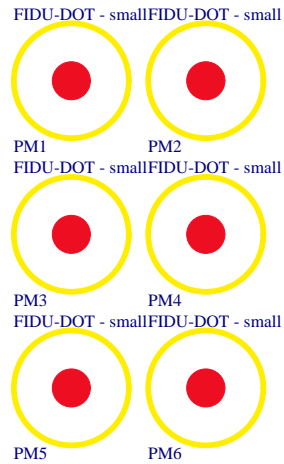
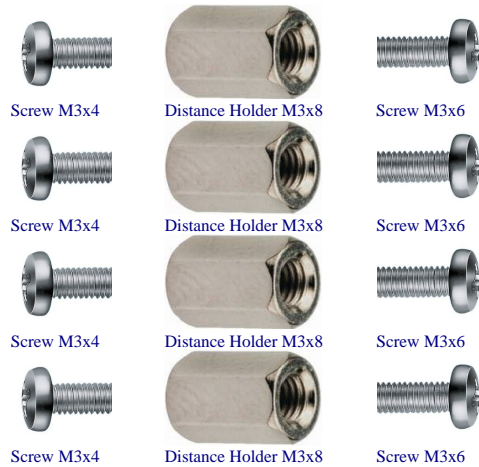


- U_B2B-Connectors
B2B-Connectors.SchDoc
- U_B13
B13.SchDoc
- U_B14
B14.SchDoc
- U_B15
B15.SchDoc
- U_B16
B16.SchDoc
- U_B34
B34.SchDoc
- U_FPGA-MGT
FPGA-MGT.SchDoc
- U_FPGA-CFG
FPGA-CFG.SchDoc
- U_FPGA-PWR
FPGA-PWR.SchDoc
- U_Clock
Clock.SchDoc
- U_DDR3-RAM
DDR3-RAM.SchDoc
- U_ETHERNET
ETHERNET.SchDoc
- U_CPLD
CPLD.SchDoc
- U_PWR1
PWR1.SchDoc
- U_PWR2
PWR2.SchDoc



Top of Board



Serial
Serial
Serialnumber 6,3 x 6.3mm

| | |
|------------------|-------------------------|
| Assembly variant | 82C11-P |
| Created by | VY |
| Modified by | VY |
| Modified at | 2020-02-03 |
| SVN Revision | 7037 [Locally Modified] |



| | | |
|-------------------------|----------------------------------|-------------|
| Title: TE0712 | | |
| A4 | Number: TE0712 82C11-P | Rev. 02 |
| Date: 2015-12-09 | Copyright: Trenz Electronic GmbH | Page1 of 16 |
| Filename: TE0712.SchDoc | | |

A

A

B

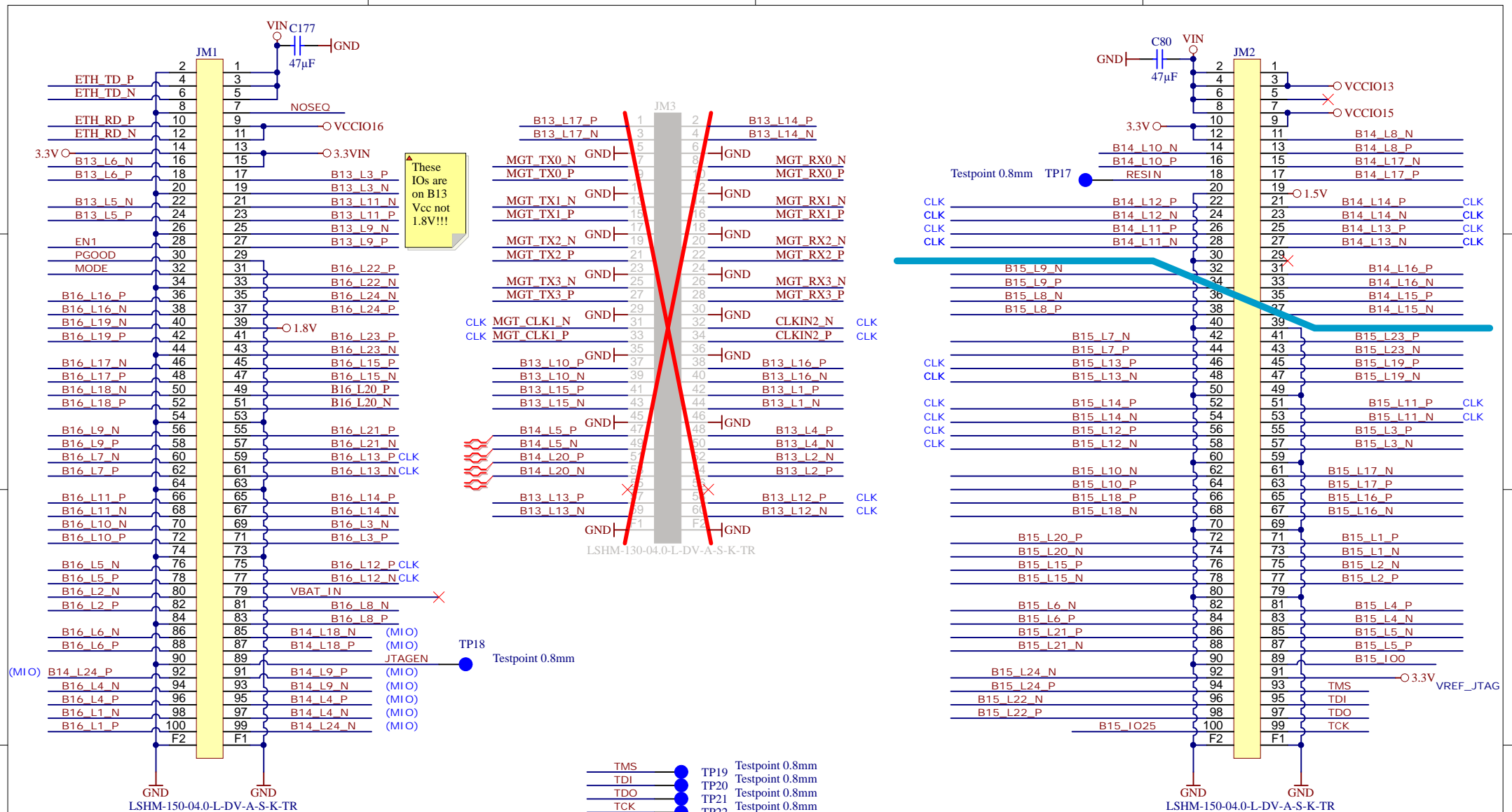
B

C

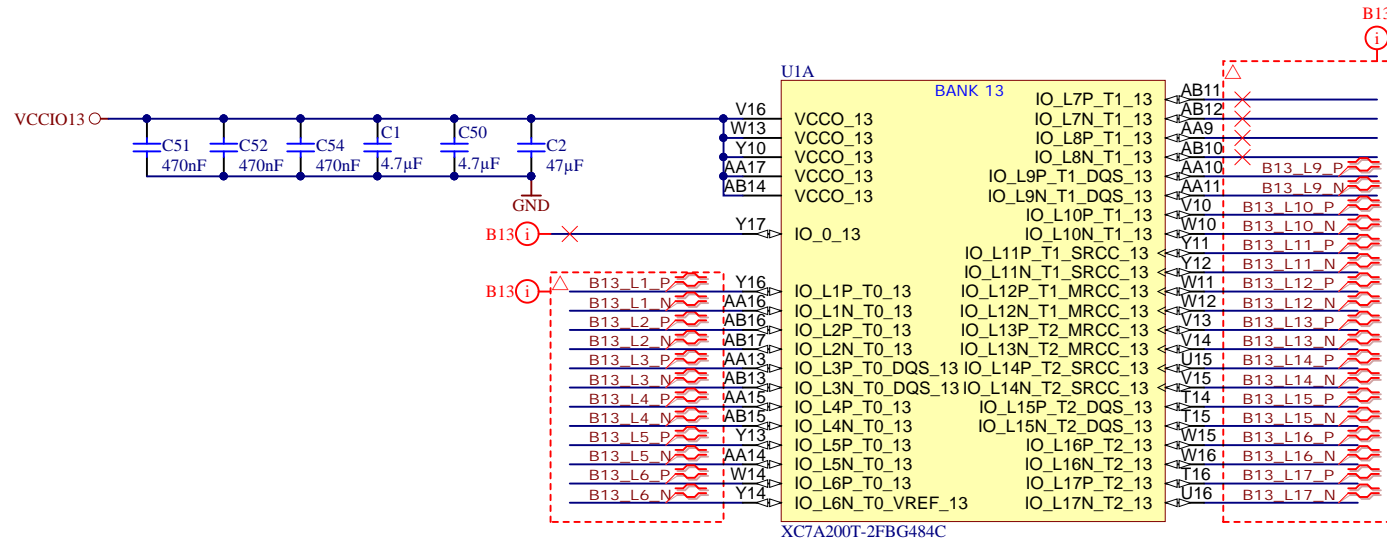
C

D

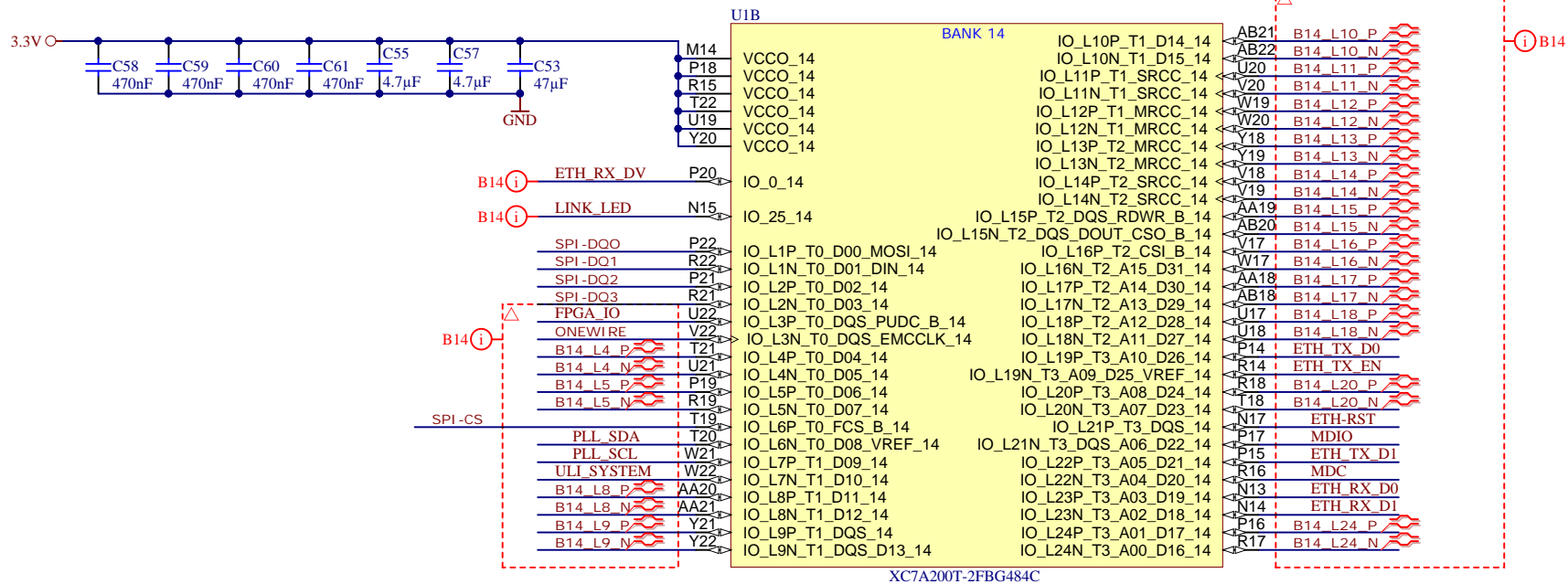
D



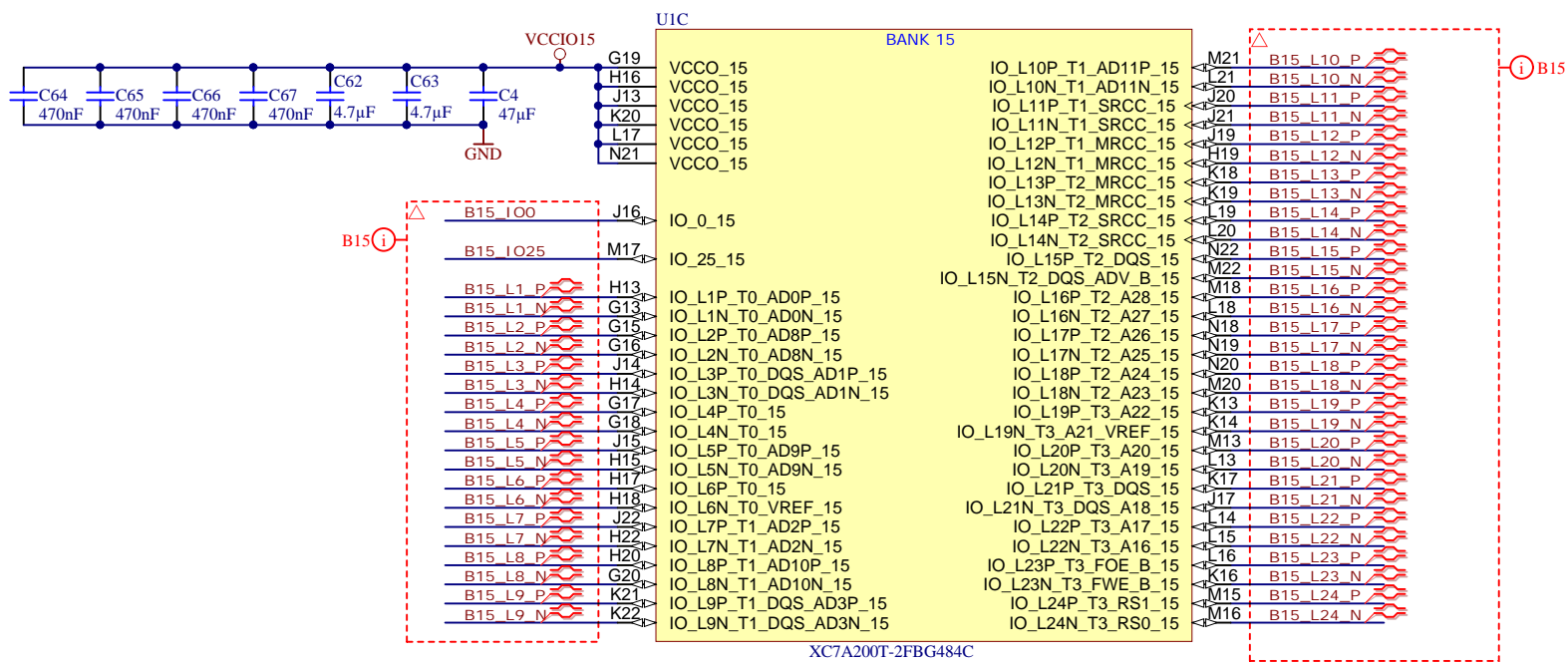
| | | |
|---------------------------------|----------------------------------|-------------|
| Title: B2B | | |
| A4 | Number: TE0712 82C11-P | Rev. 02 |
| Date: 2015-12-09 | Copyright: Trenz Electronic GmbH | Page2 of 16 |
| Filename: B2B-Connectors.SchDoc | | |



| | | |
|-----------------------------|---|----------------------------|
| Title: B13 | | |
| A4 | Number: TE0712 82C11-P | Rev. 02 |
| Date: 2015-12-09 | Copyright: Trenz Electronic GmbH | Page 3 of 16 |
| Filename: B13.SchDoc | | |



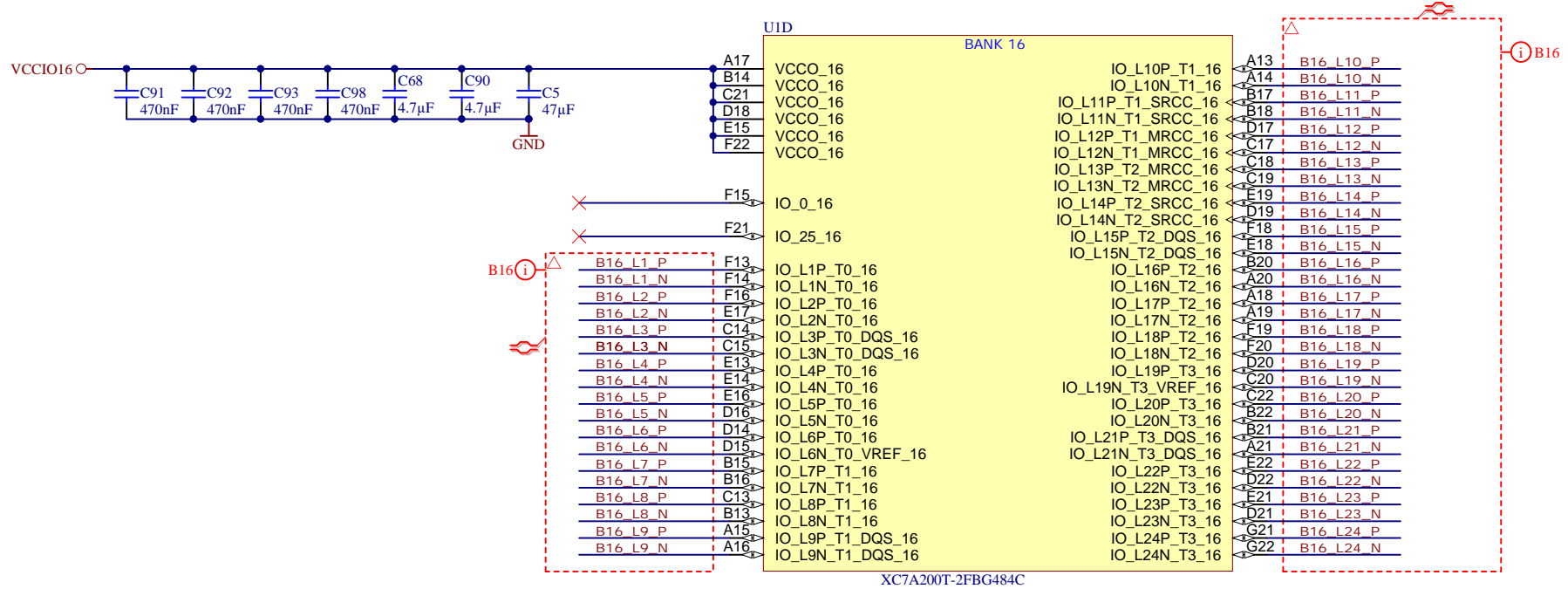
| | | |
|-----------------------------|---|----------------------------|
| Title: B14 | | |
| A4 | Number: TE0712 82C11-P | Rev. 02 |
| Date: 2015-12-09 | Copyright: Trenz Electronic GmbH | Page 4 of 16 |
| Filename: B14.SchDoc | | |



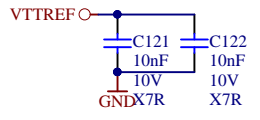
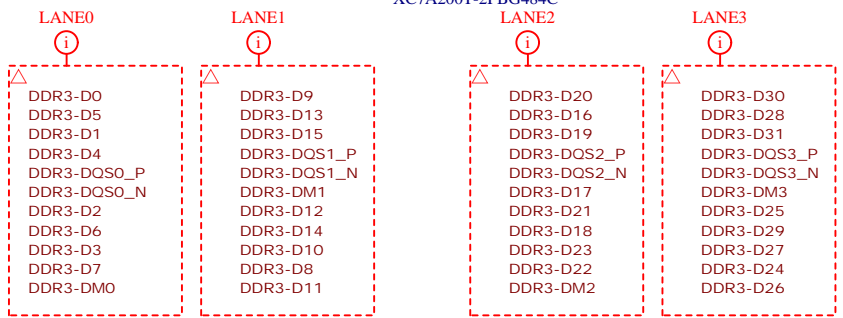
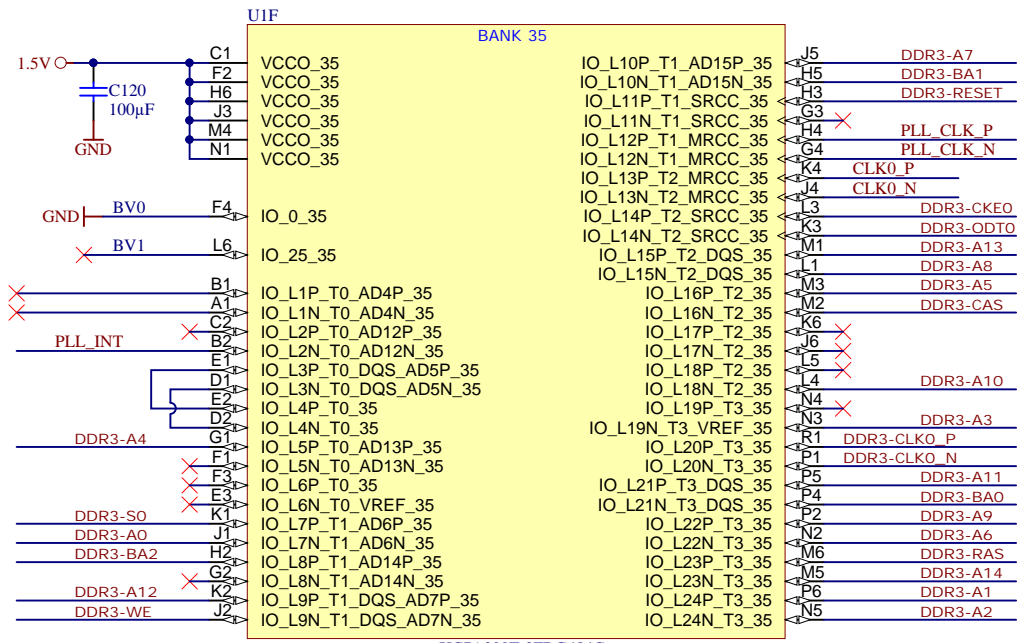
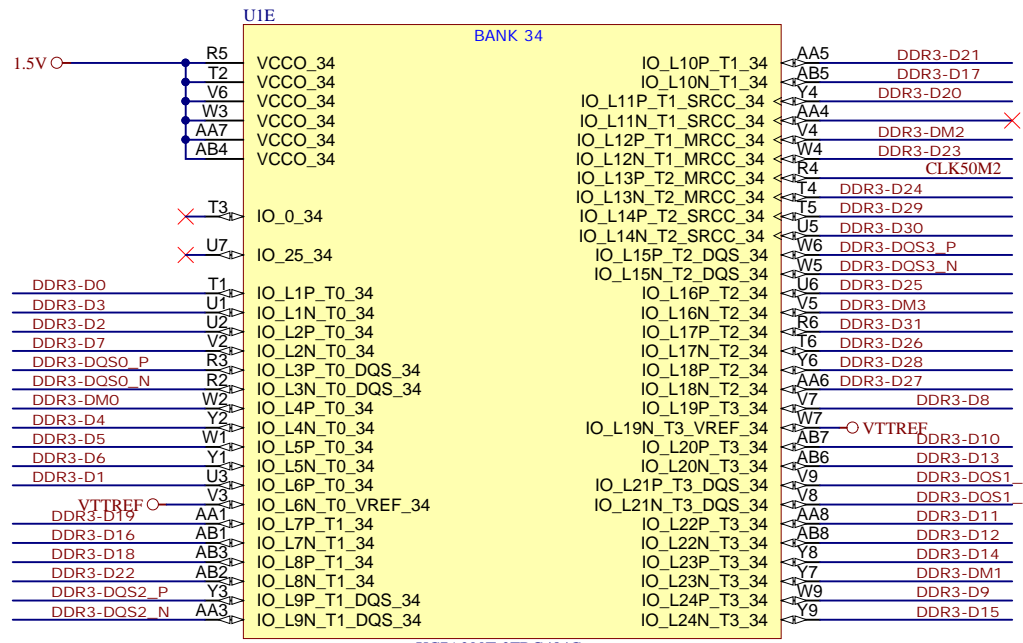
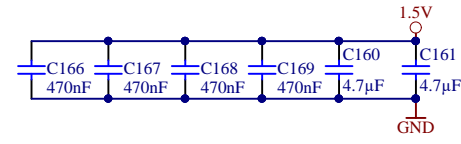
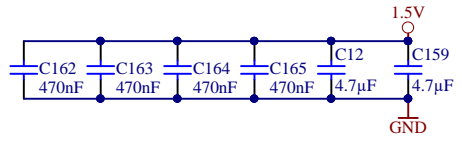
XC7A200T-2FBG484C



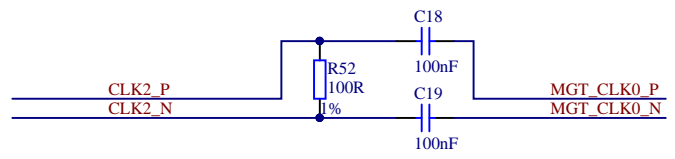
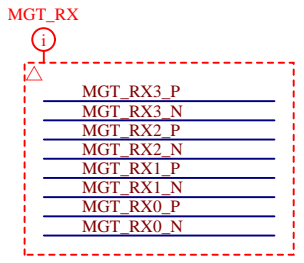
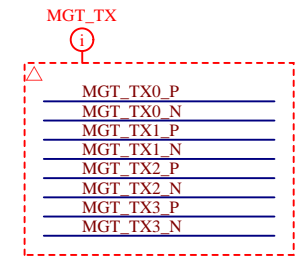
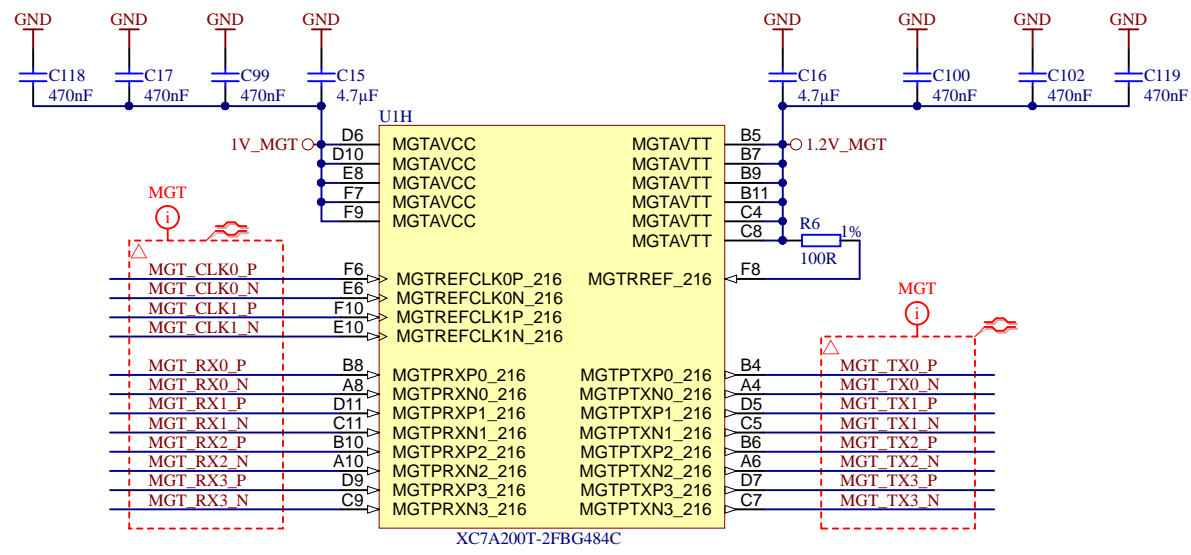
| | | |
|-----------------------------|---|----------------------------|
| Title: B15 | | |
| A4 | Number: TE0712 82C11-P | Rev. 02 |
| Date: 2015-12-09 | Copyright: Trenz Electronic GmbH | Page 5 of 16 |
| Filename: B15.SchDoc | | |




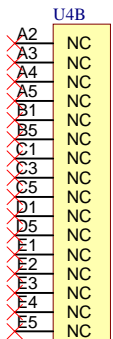
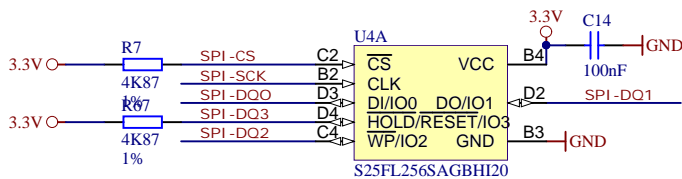
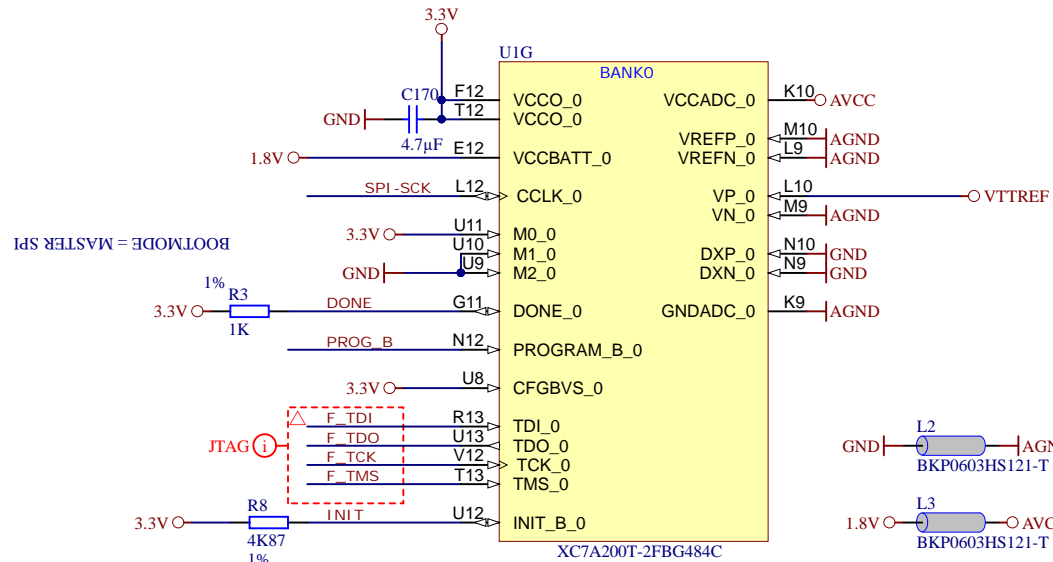
| | | |
|-----------------------------|---|----------------------------|
| Title: B16 | | |
| A4 | Number: TE0712 82C11-P | Rev. 02 |
| Date: 2015-12-09 | Copyright: Trenz Electronic GmbH | Page 6 of 16 |
| Filename: B16.SchDoc | | |



| | | |
|-----------------------------|---|----------------------------|
| Title: B34 | | |
| A4 | Number: TE0712 82C11-P | Rev. 02 |
| Date: 2015-12-09 | Copyright: Trenz Electronic GmbH | Page 7 of 16 |
| Filename: B34.SchDoc | | |

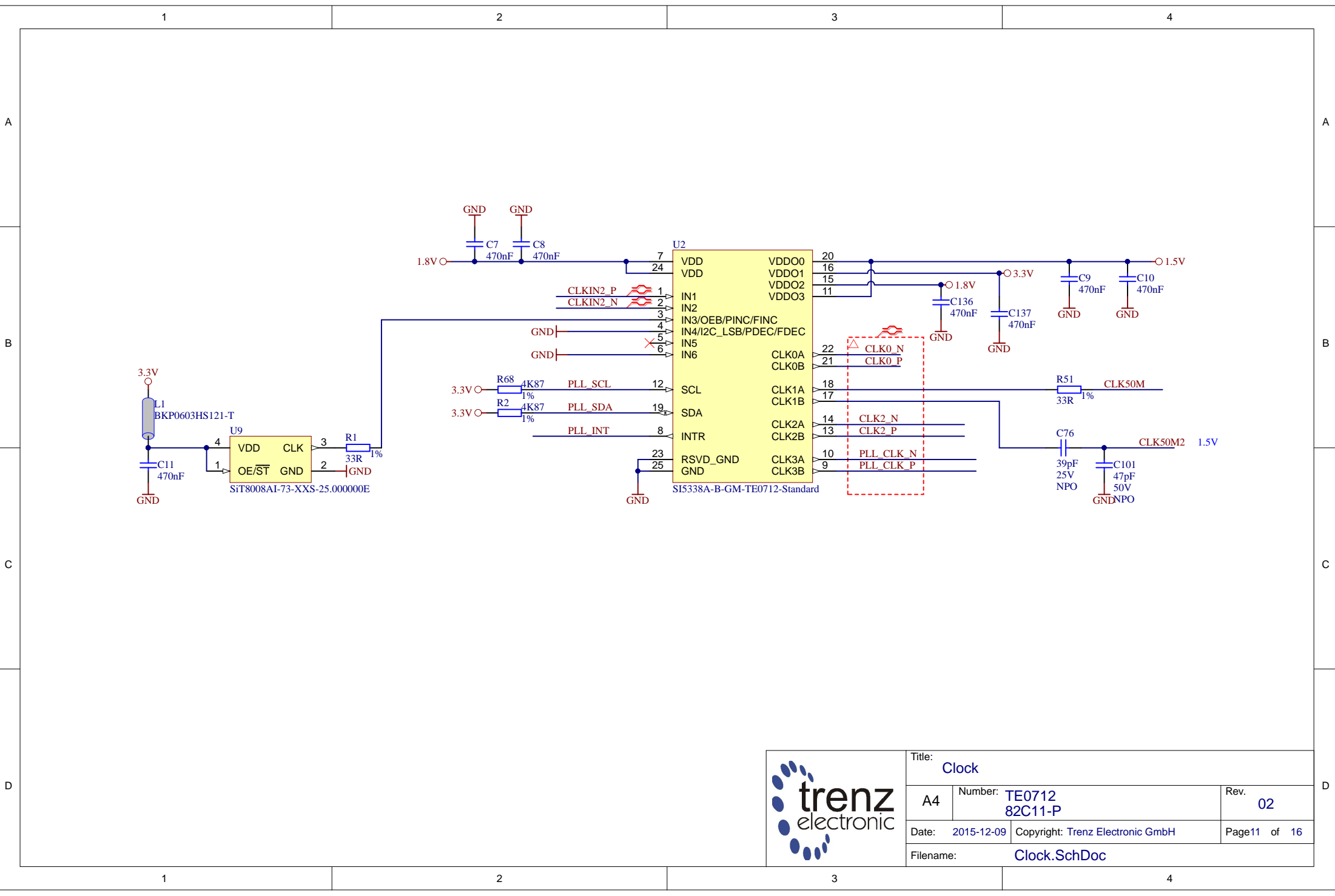



| | | |
|---|----------------------------------|---|
|  | Title: MGT | |
| | A4 | Number: TE0712 82C11-P |
| | Date: 2015-12-09 | Copyright: Trenz Electronic GmbH |
| | Filename: FPGA-MGT.SchDoc | Page 8 of 16 |

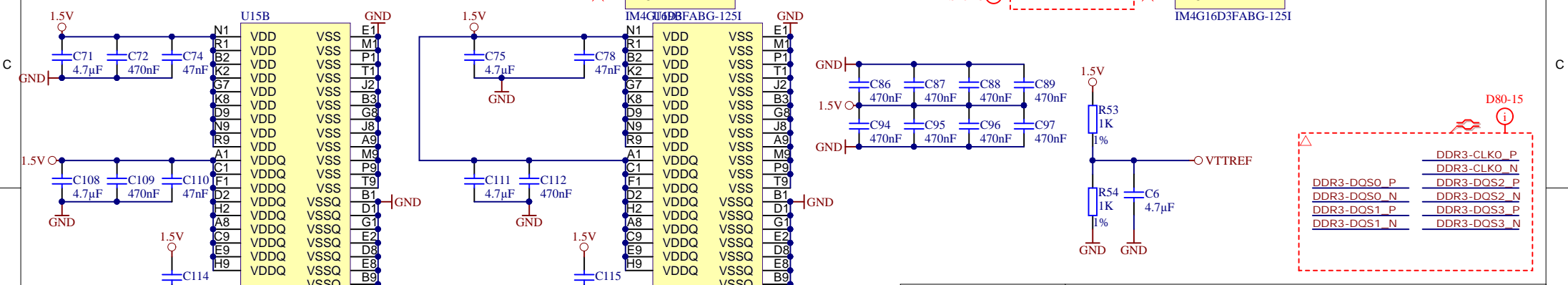
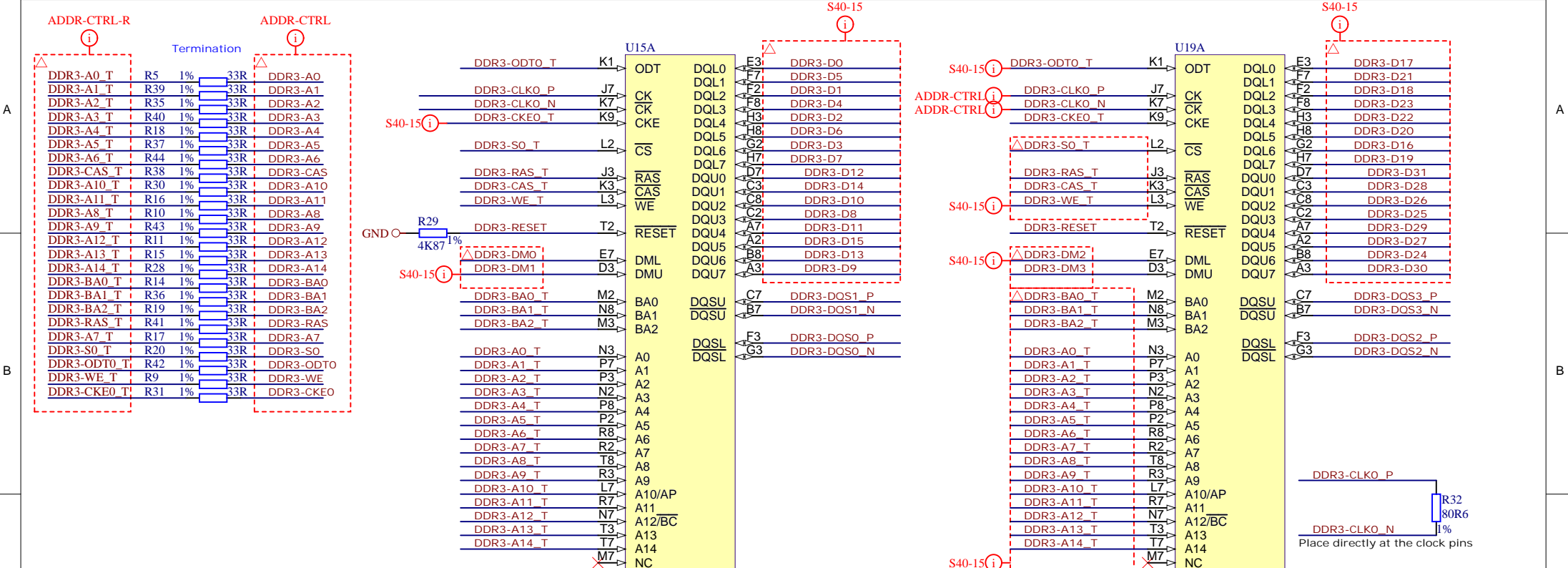


S25FL256SAGBH120

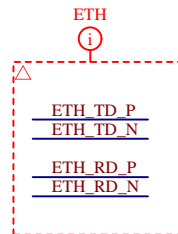
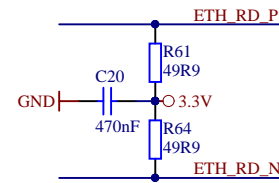
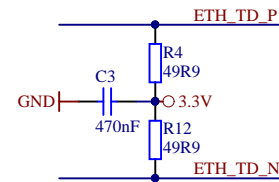
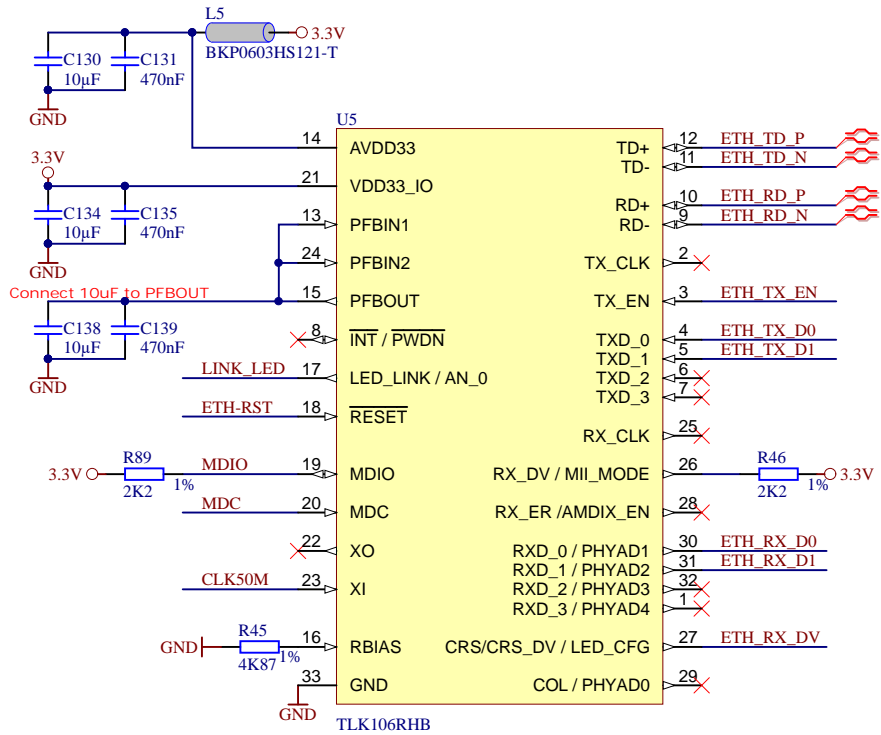
| | | | |
|--|----------------------------------|---|----------------------------|
| | Title: CFG | | |
| | A4 | Number: TE0712 82C11-P | Rev. 02 |
| | Date: 2015-12-09 | Copyright: Trenz Electronic GmbH | Page 9 of 16 |
| | Filename: FPGA-CFG.SchDoc | | |




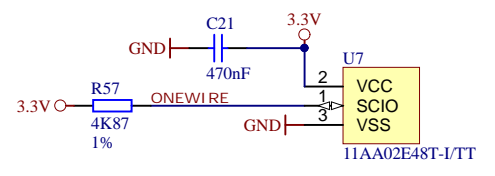
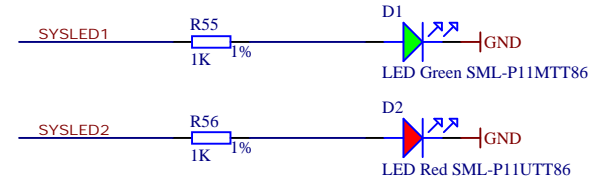
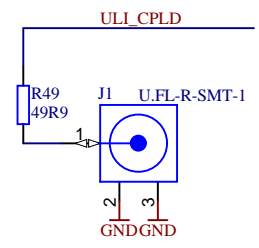
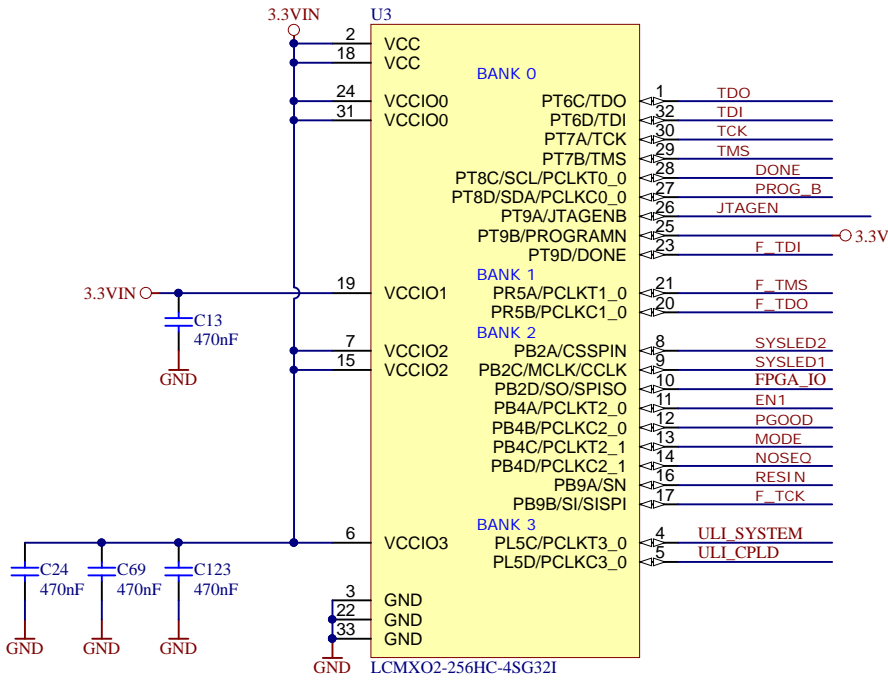
| | | | |
|---|--|----------------------------------|---|
|  | | Title: Clock | |
| | | A4 | Number: TE0712 82C11-P |
| Date: 2015-12-09 | | Copyright: Trenz Electronic GmbH | |
| Date: 2015-12-09 | | Page 11 of 16 | |
| Filename: Clock.SchDoc | | | |



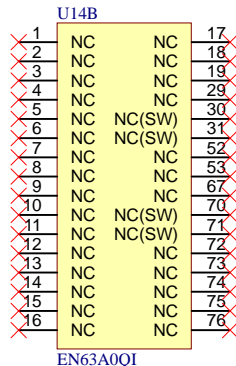
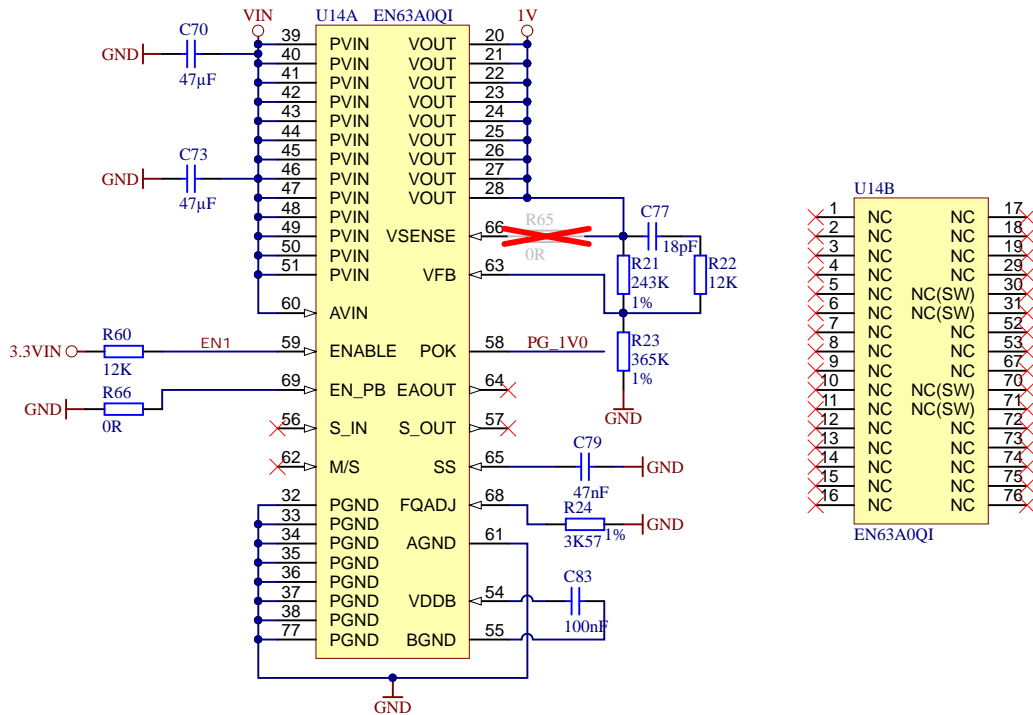
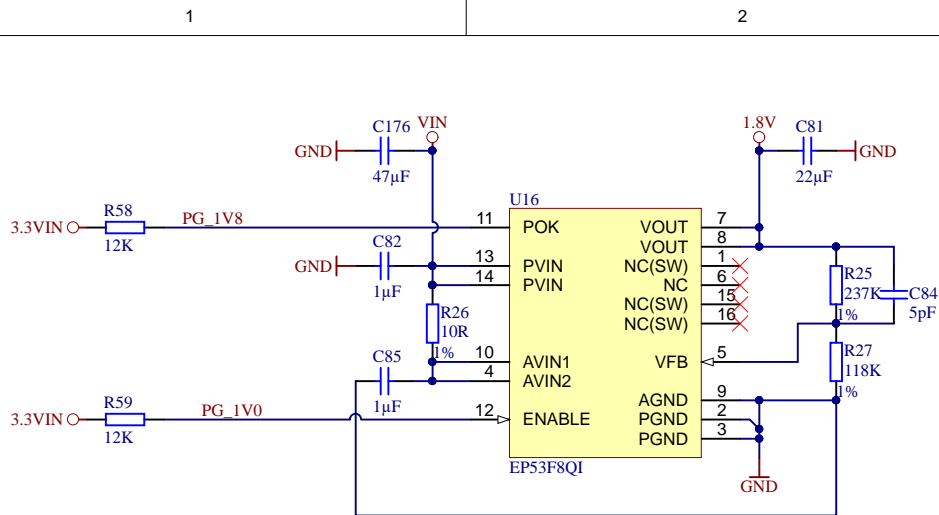
| | | |
|----------------------------------|---|-----------------------------|
| Title: DDR3 | | |
| A4 | Number: TE0712 82C11-P | Rev. 02 |
| Date: 2015-12-09 | Copyright: Trenz Electronic GmbH | Page 12 of 16 |
| Filename: DDR3-RAM.SchDoc | | |



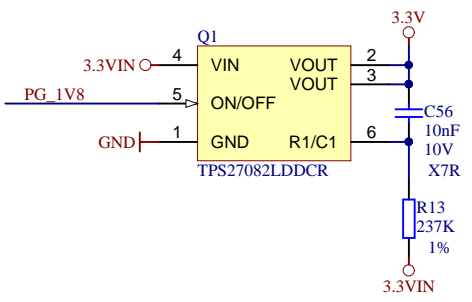
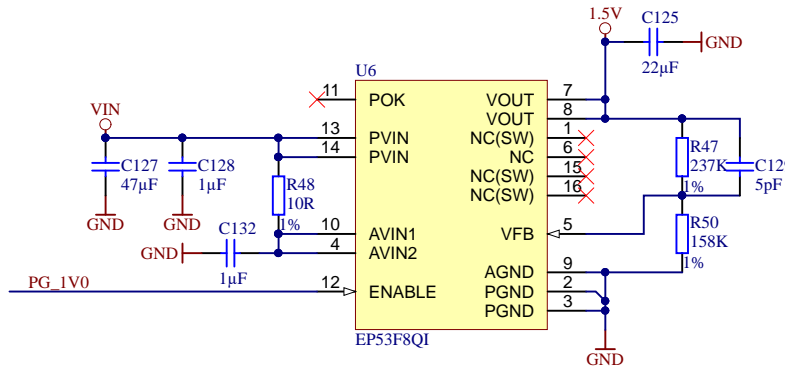
| | | | |
|---|--|----------------------------------|-----------------------------------|
|  | | Title: ETH | |
| | | A4 | Number: TE0712 82C11-P |
| Date: 2015-12-09 | | Copyright: Trenz Electronic GmbH | |
| Date: 2015-12-09 | | Page 13 of 16 | |
| Filename: ETHERNET.SchDoc | | | |



| | | |
|-----------------------|----------------------------------|---------------|
| Title: CPLD | | |
| A4 | Number: TE0712 82C11-P | Rev. 02 |
| Date: 2015-12-09 | Copyright: Trenz Electronic GmbH | Page 14 of 16 |
| Filename: CPLD.SchDoc | | |



| R65 | R66 | MODE | EN63A0QI |
|-----|-----|-------|---------------------------|
| OK | X | ----- | enable pre-bias start-up |
| X | OK | ----- | disable pre-bias start-up |



- VIN - TP1 - Testpoint 0.8mm
- 3.3VIN - TP4 - Testpoint 0.8mm
- 3.3V - TP7 - Testpoint 0.8mm
- 1.8V - TP10 - Testpoint 0.8mm
- 1.5V - TP13 - Testpoint 0.8mm
- VTTREF - TP3 - Testpoint 0.8mm
- 1V - TP2 - Testpoint 0.8mm
- 1.2V_MGT - TP5 - Testpoint 0.8mm
- VCCIO13 - TP8 - Testpoint 0.8mm
- VCCIO15 - TP11 - Testpoint 0.8mm
- VCCIO16 - TP14 - Testpoint 0.8mm
- GND - TP6 - Testpoint 0.8mm
- GND - TP9 - Testpoint 0.8mm
- GND - TP12 - Testpoint 0.8mm
- GND - TP15 - Testpoint 0.8mm
- GND - TP16 - Testpoint 0.8mm



| | | |
|-----------------------|----------------------------------|---------------|
| Title: PWR | | |
| A4 | Number: TE0712 82C11-P | Rev. 02 |
| Date: 2015-12-09 | Copyright: Trenz Electronic GmbH | Page 15 of 16 |
| Filename: PWR1.SchDoc | | |

1

2

3

4

A

A

B

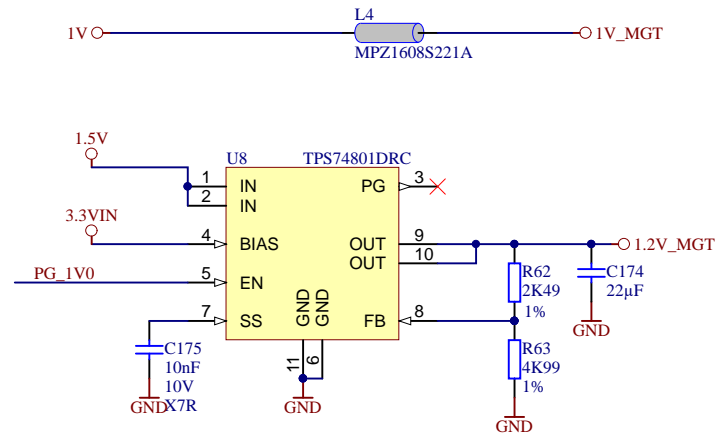
B


C

C

D

D



| | | | |
|---|--|----------------------------------|---------------------------|
|  | | Title: PWR | |
| | | A4 | Number: TE0712 82C11-P |
| Date: 2015-12-09 | | Copyright: Trenz Electronic GmbH | |
| Filename: PWR2.SchDoc | | Page 16 of 16 | |

1

2

3

4