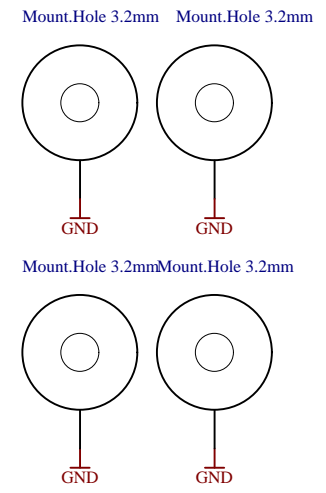
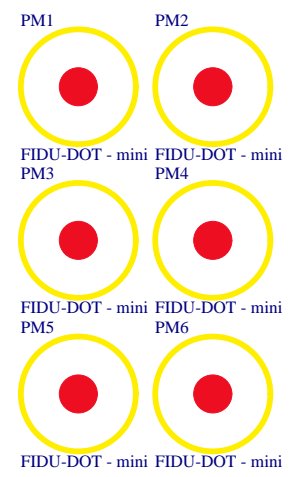
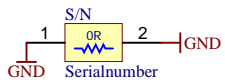


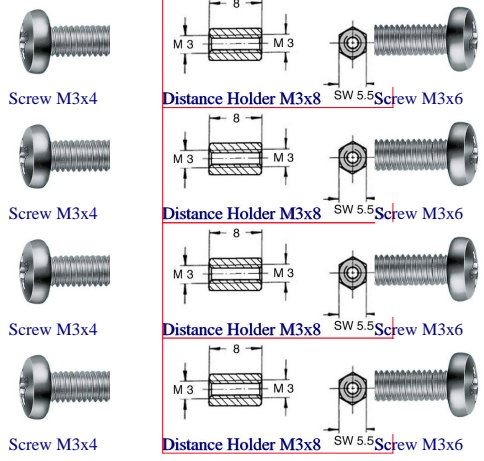
- U_B2B-Connectors
B2B-Connectors.SchDoc
- U_B13
B13.SchDoc
- U_B14
B14.SchDoc
- U_B15
B15.SchDoc
- U_B16
B16.SchDoc
- U_B34
B34.SchDoc
- U_FPGA-MGT
FPGA-MGT.SchDoc
- U_FPGA-CFG
FPGA-CFG.SchDoc
- U_FPGA-PWR
FPGA-PWR.SchDoc
- U_Clock
Clock.SchDoc
- U_DDR3-RAM
DDR3-RAM.SchDoc
- U_USB
USB.SchDoc
- U_CPLD
CPLD.SchDoc
- U_PWR1
PWR1.SchDoc
- U_PWR2
PWR2.SchDoc

Serial
Serialnumber 6,3 x 6.3mm



LOGO1
TE Logo PRINT Layer
LOGO PRINT

Top of Board



Title: TE0713		
A4	Number: TE0713 TE0713-100-2C	Rev. 02
Date: 2018-09-25	Copyright: Trenz Electronic GmbH	Page 1 of 17
Filename: TE0713.SchDoc		

A

B

C

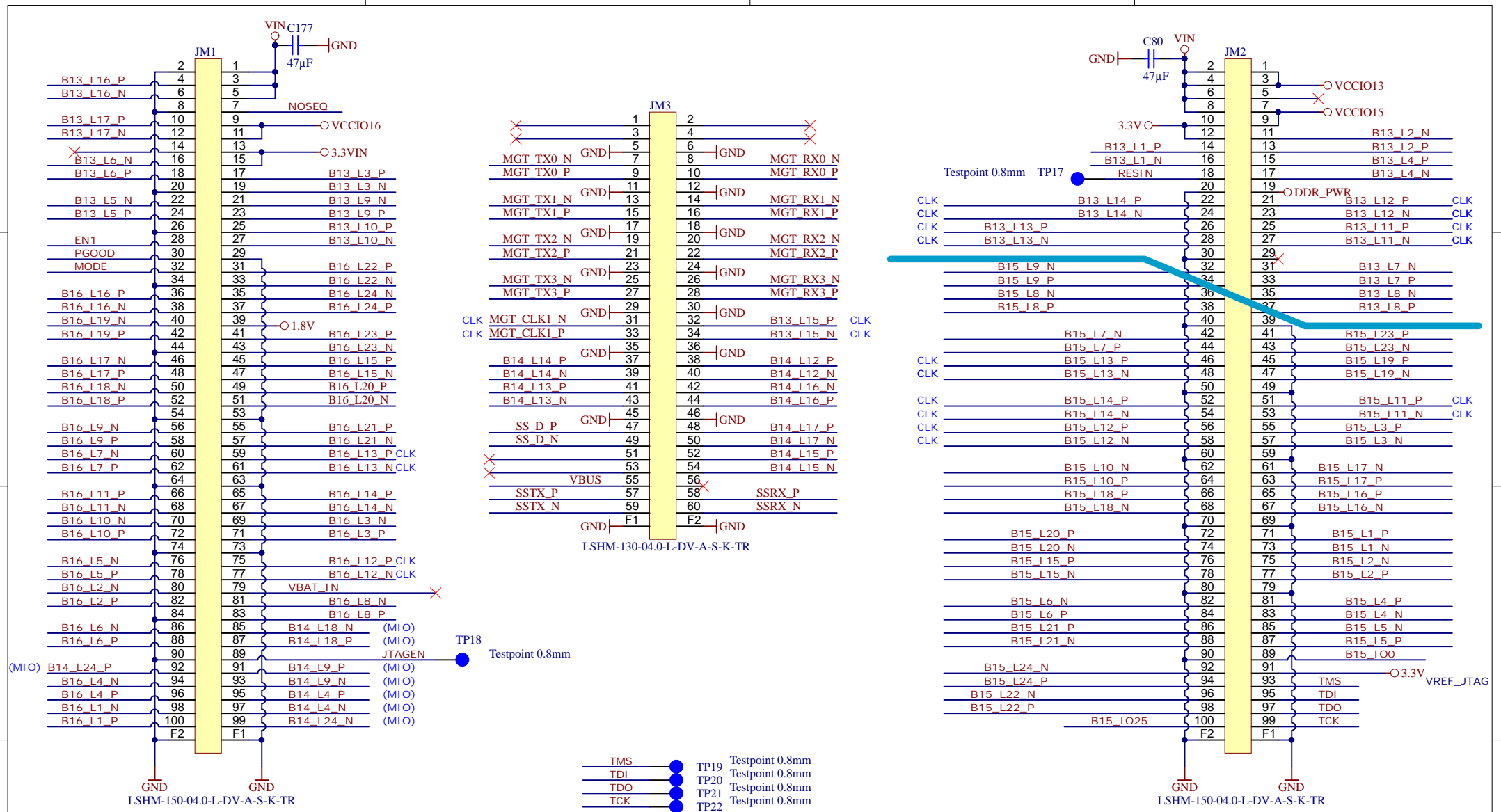
D


A

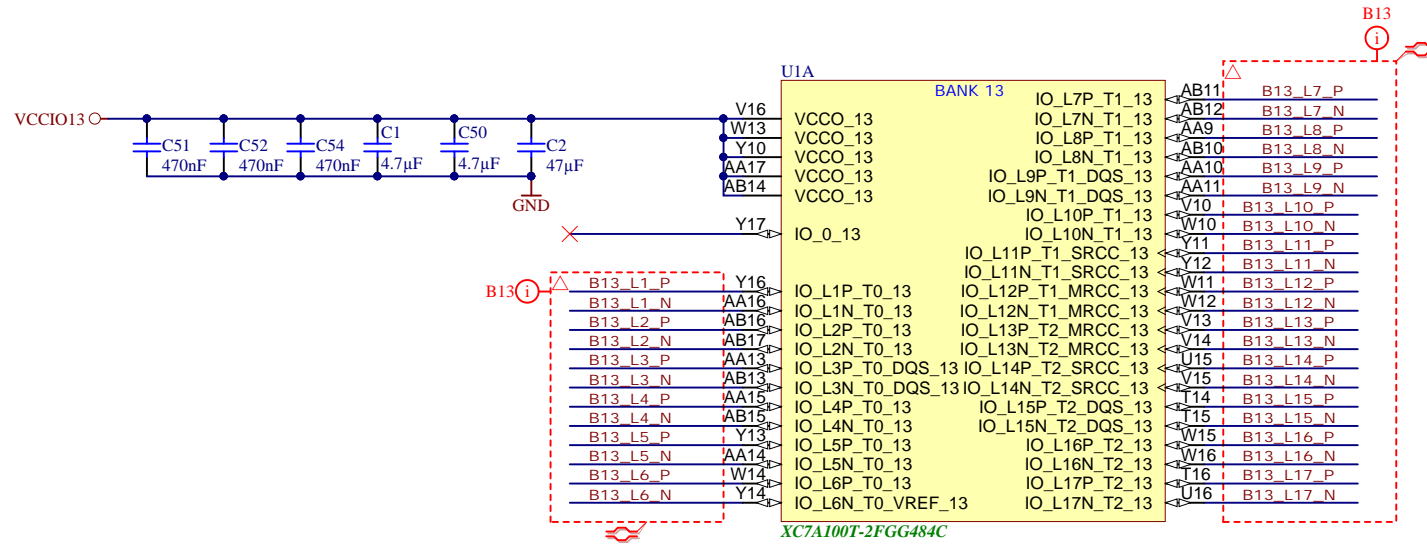
B

C

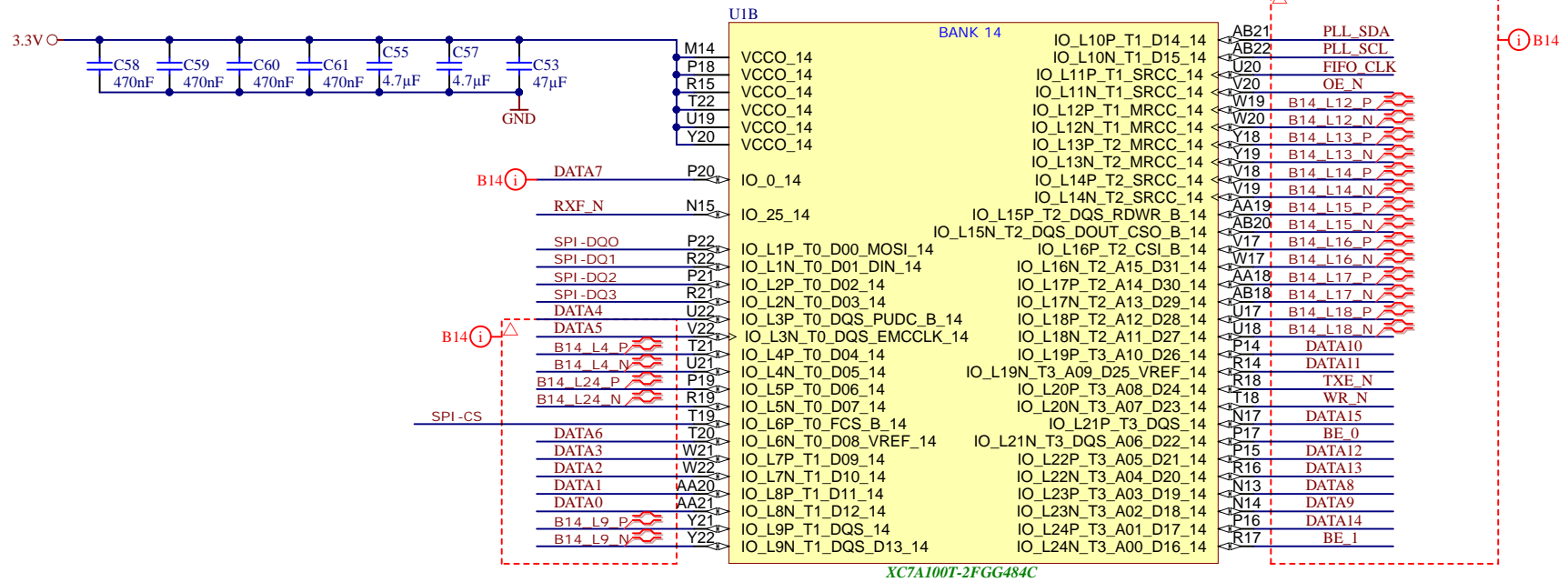
D



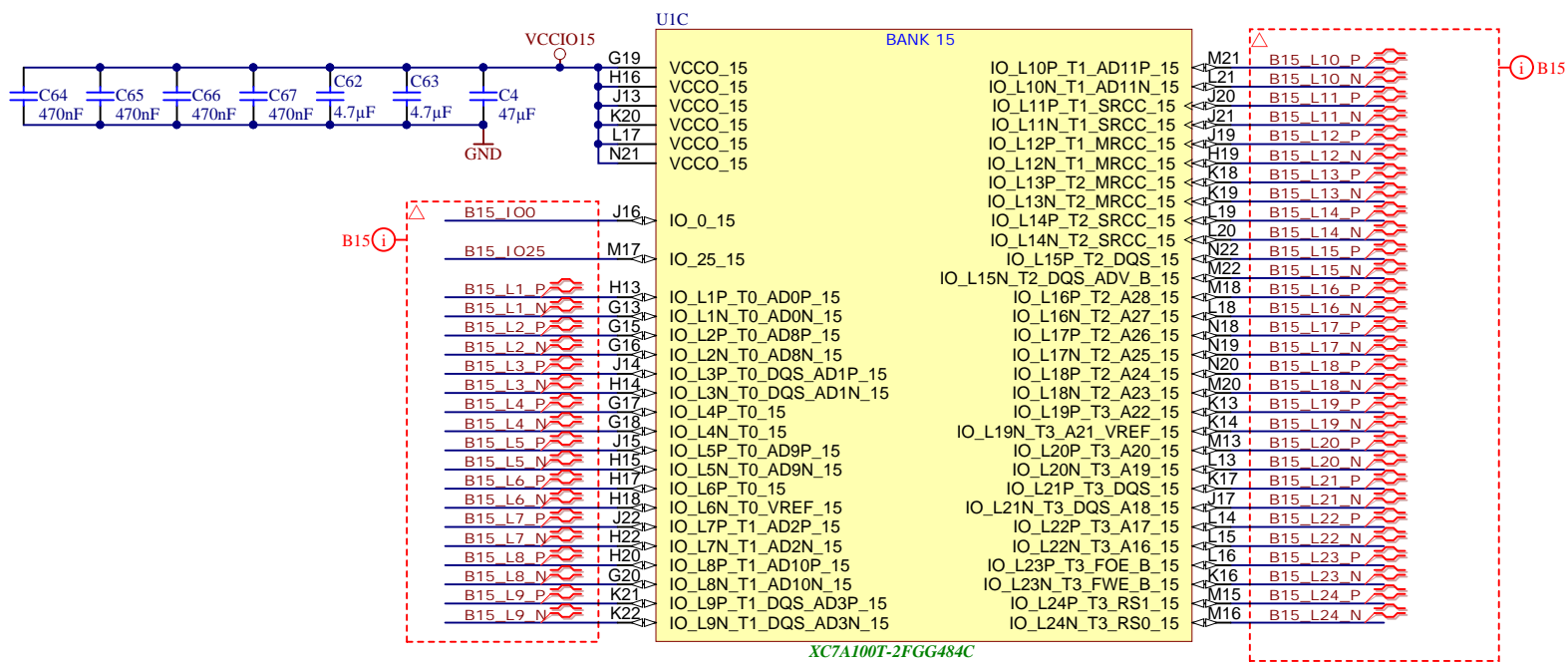
			Title: B2B	
			A4	Number: TE0713 TE0713-100-2C
Date: 2018-09-25		Copyright: Trenz Electronic GmbH		Page2 of 17
Filename: B2B-Connectors.SchDoc				



Title: B13		
A4	Number: TE0713 TE0713-100-2C	Rev. 02
Date: 2018-09-25	Copyright: Trenz Electronic GmbH	Page 3 of 17
Filename: B13.SchDoc		



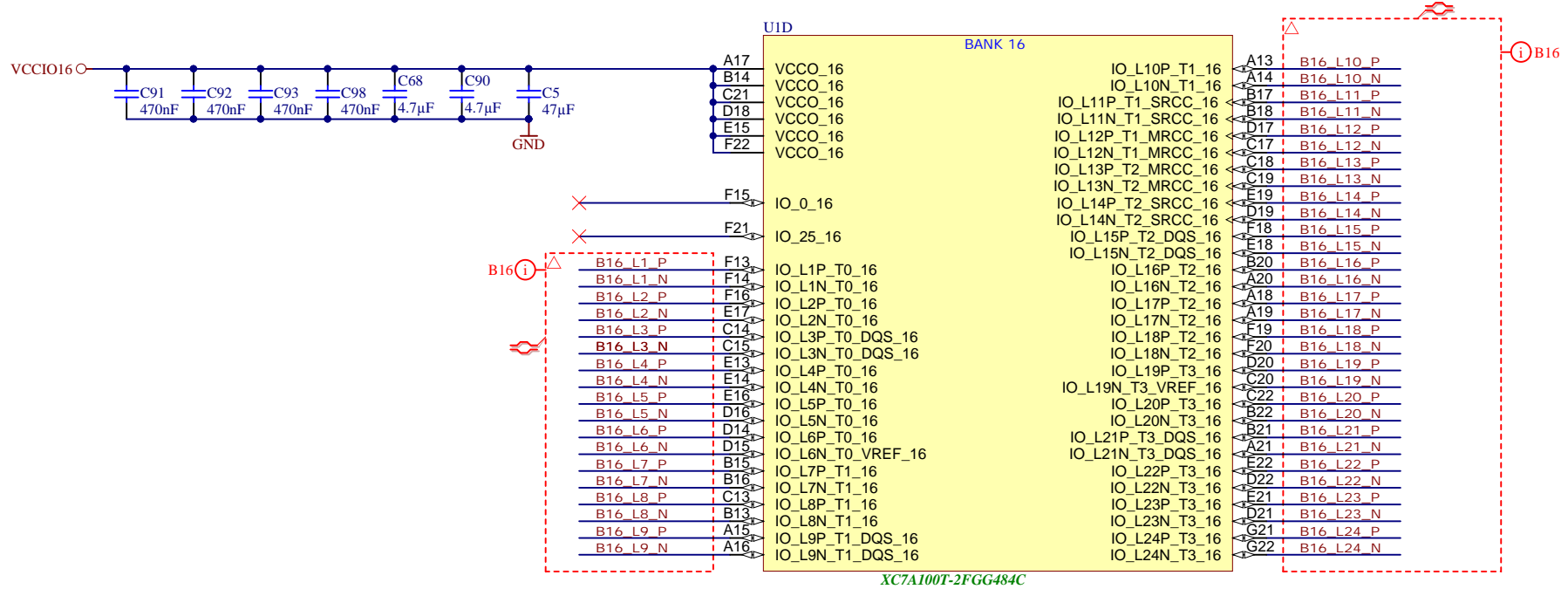
Title: B14		
A4	Number: TE0713 TE0713-100-2C	Rev. 02
Date: 2018-09-25	Copyright: Trenz Electronic GmbH	Page 4 of 17
Filename: B14.SchDoc		



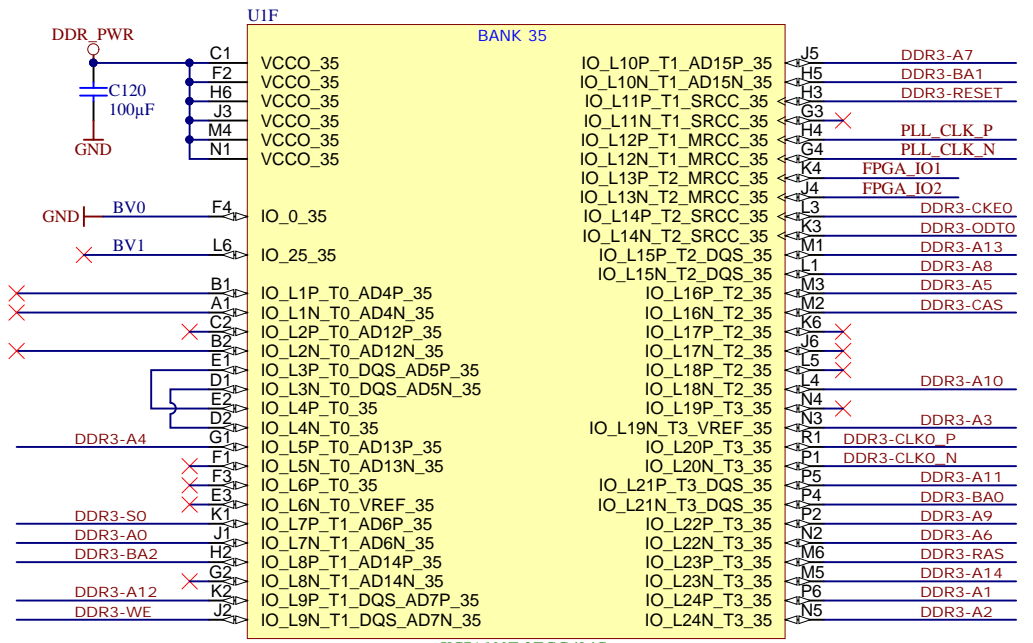
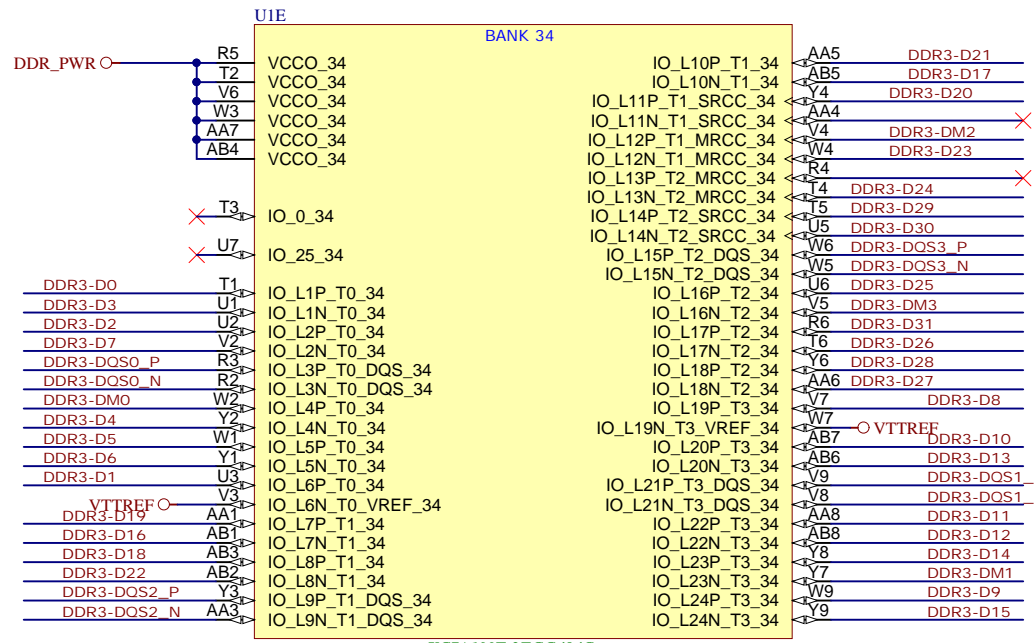
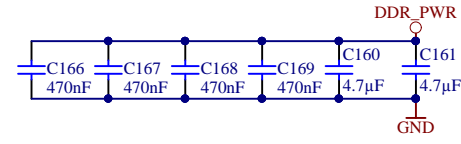
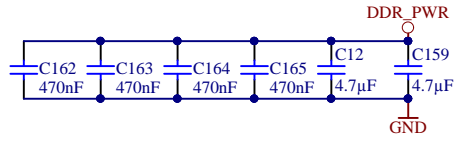
XC7A100T-2FG484C



Title: B15		
A4	Number: TE0713 TE0713-100-2C	Rev. 02
Date: 2018-09-25	Copyright: Trenz Electronic GmbH	Page 5 of 17
Filename: B15.SchDoc		

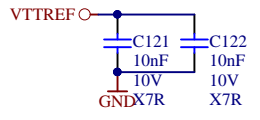
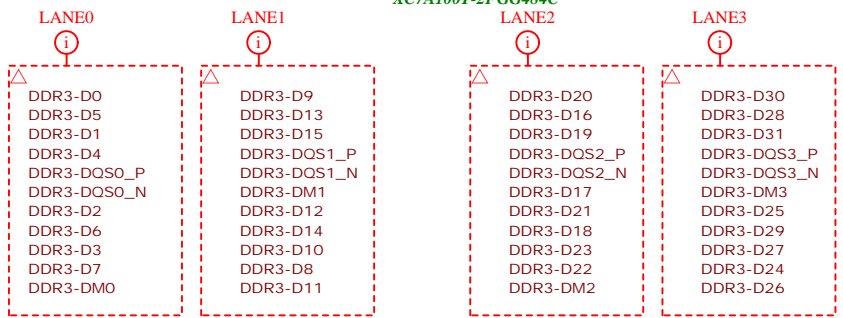


Title: B16		
A4	Number: TE0713 TE0713-100-2C	Rev. 02
Date: 2018-09-25	Copyright: Trenz Electronic GmbH	Page 6 of 17
Filename: B16.SchDoc		

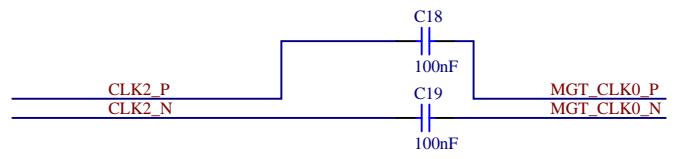
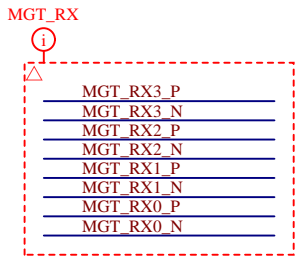
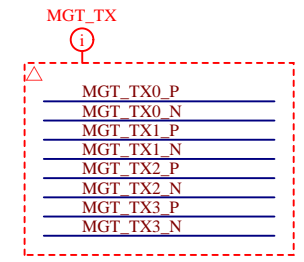
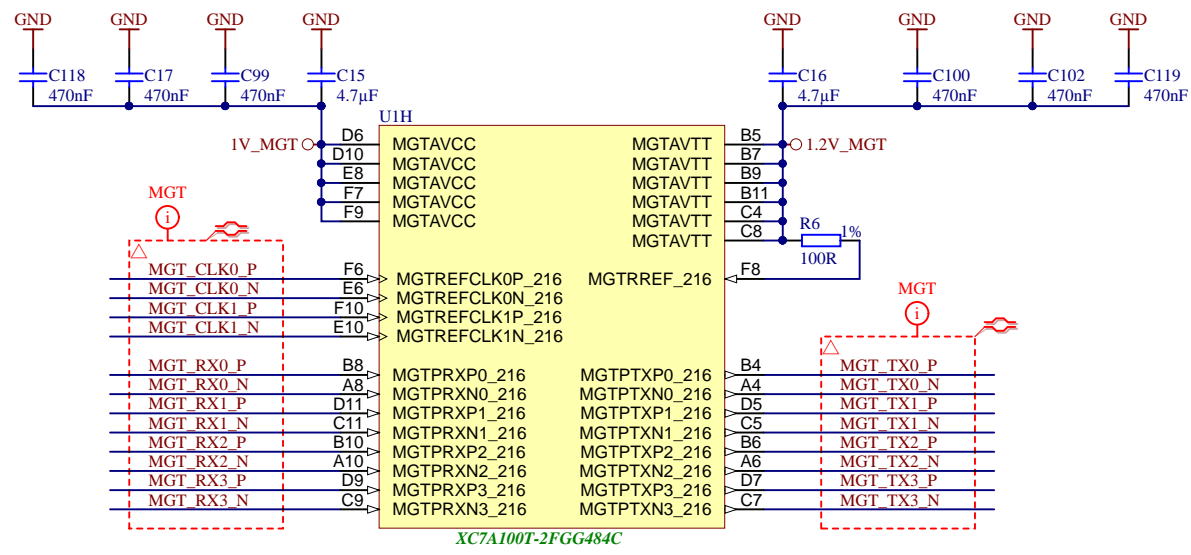


XC7A100T-2FGG484C

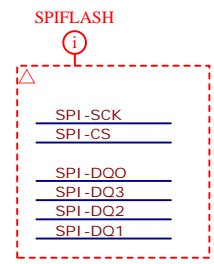
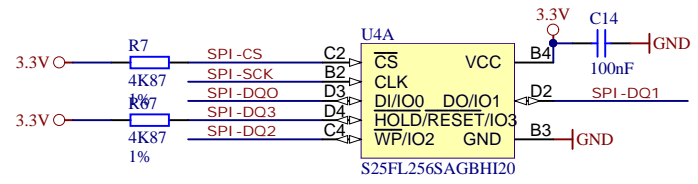
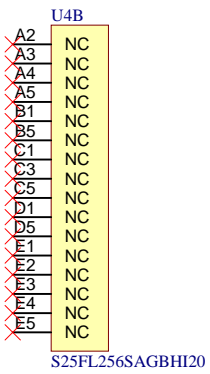
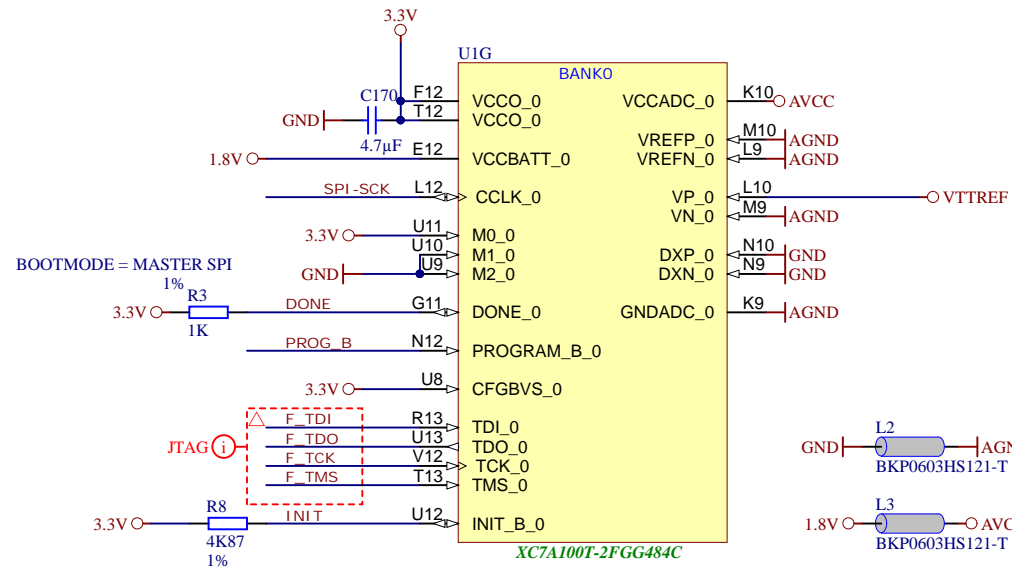
XC7A100T-2FGG484C



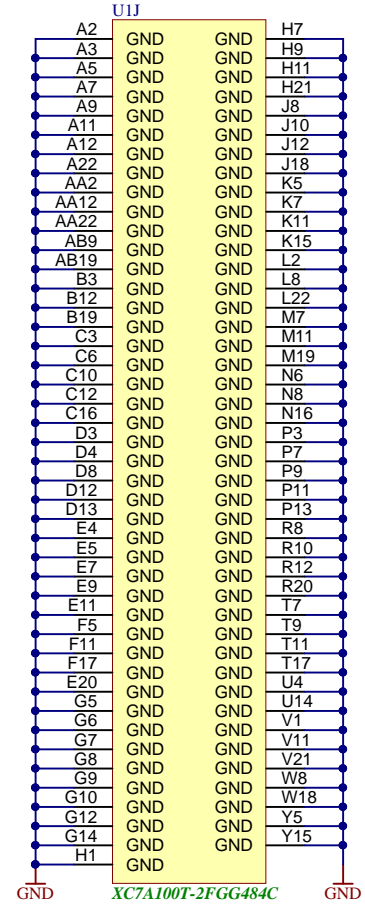
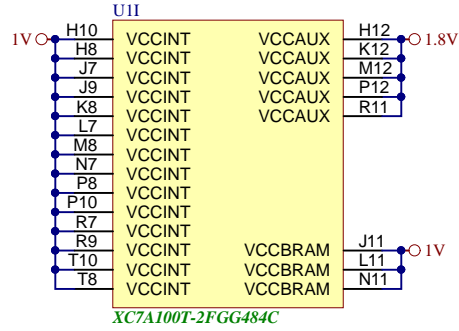
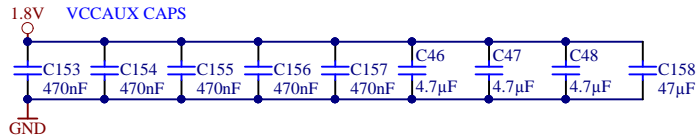
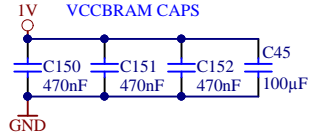
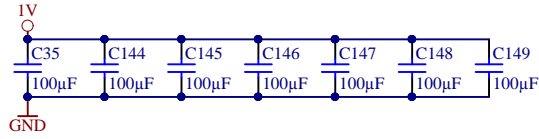
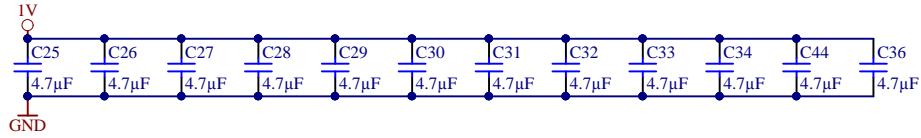
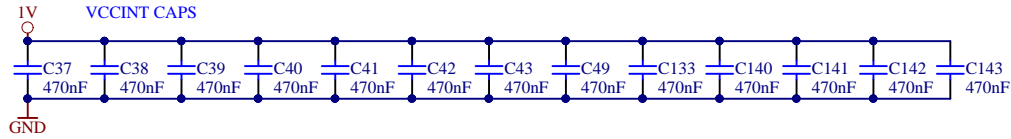
Title: B34		
A4	Number: TE0713 TE0713-100-2C	Rev. 02
Date: 2018-09-25	Copyright: Trenz Electronic GmbH	Page 7 of 17
Filename: B34.SchDoc		



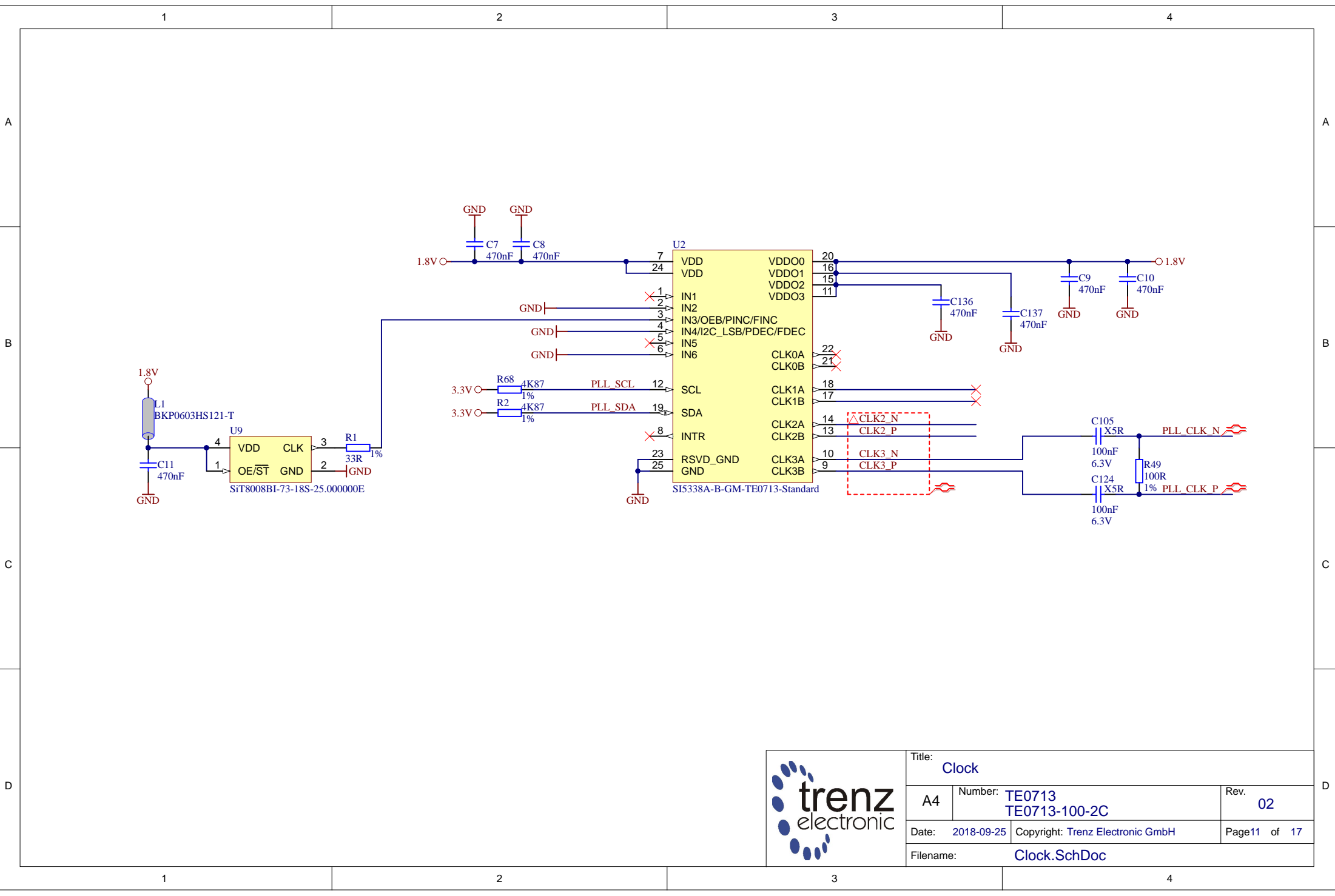
	Title: MGT	
	A4	Number: TE0713 TE0713-100-2C
	Date: 2018-09-25	Copyright: Trenz Electronic GmbH
	Filename: FPGA-MGT.SchDoc	Page 8 of 17




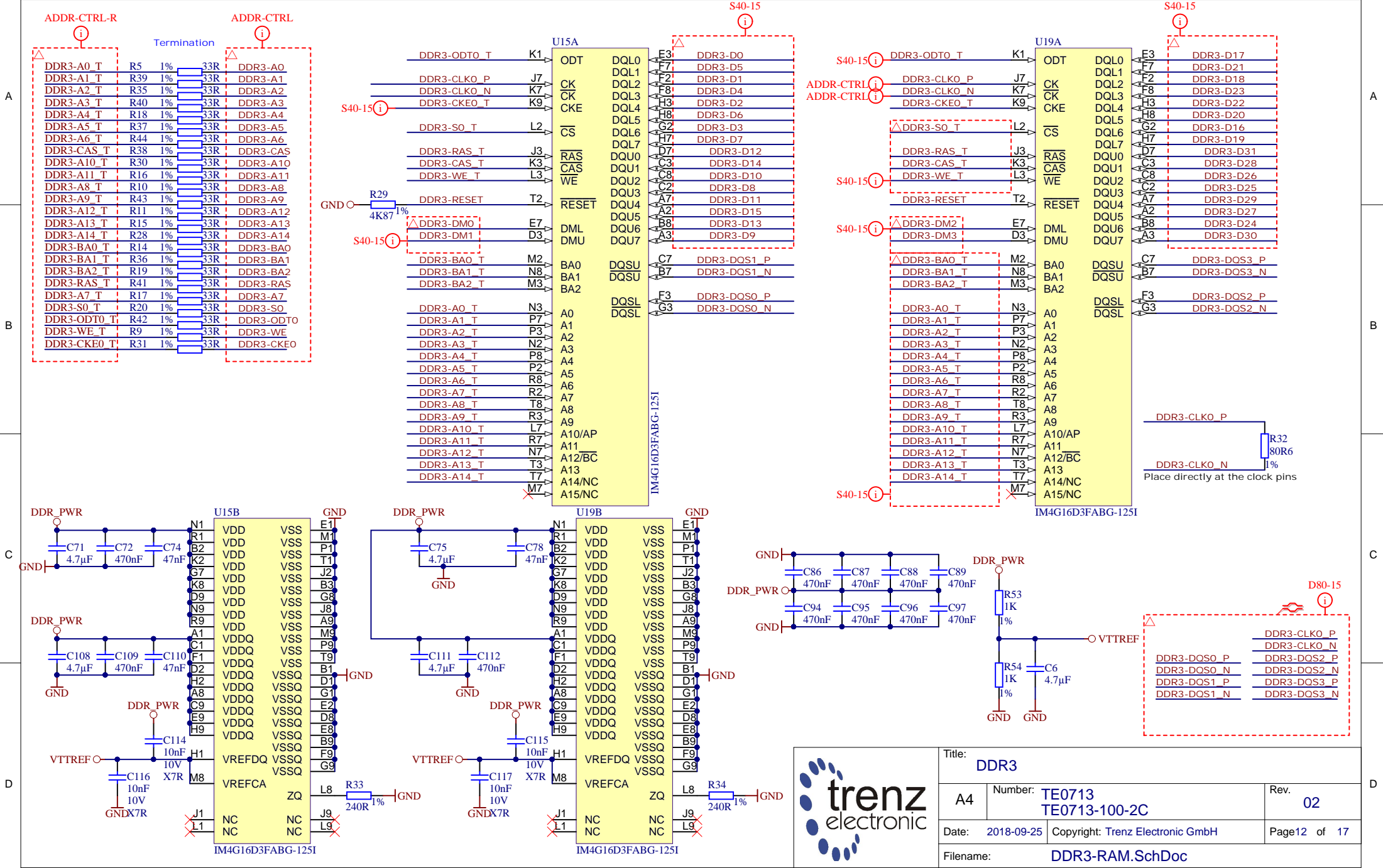
Title: CFG		
A4	Number: TE0713 TE0713-100-2C	Rev. 02
Date: 2018-09-25	Copyright: Trenz Electronic GmbH	Page9 of 17
Filename: FPGA-CFG.SchDoc		



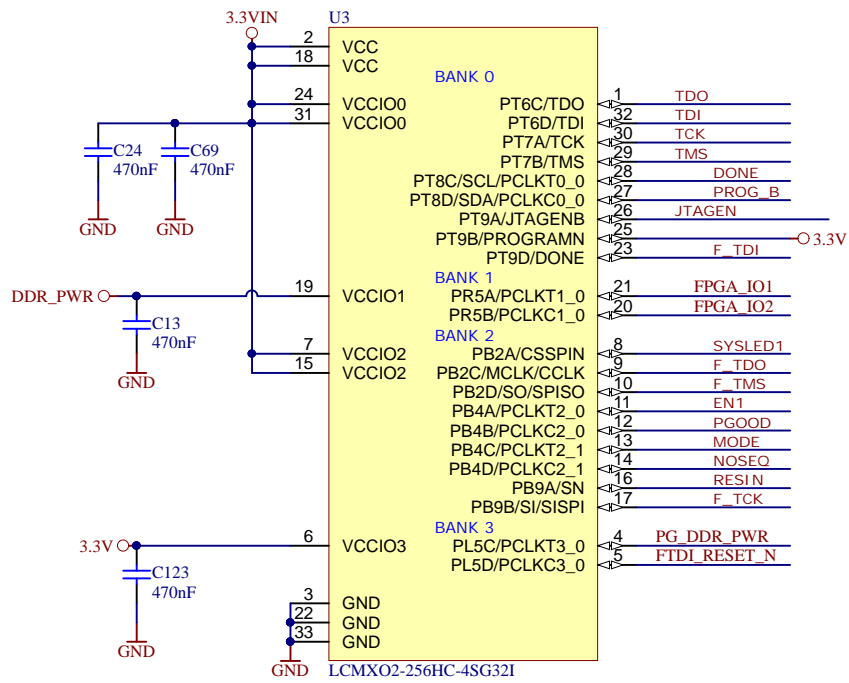
Title: PWR		
A4	Number: TE0713 TE0713-100-2C	Rev. 02
Date: 2018-09-25	Copyright: Trenz Electronic GmbH	Page 10 of 17
Filename: FPGA-PWR.SchDoc		



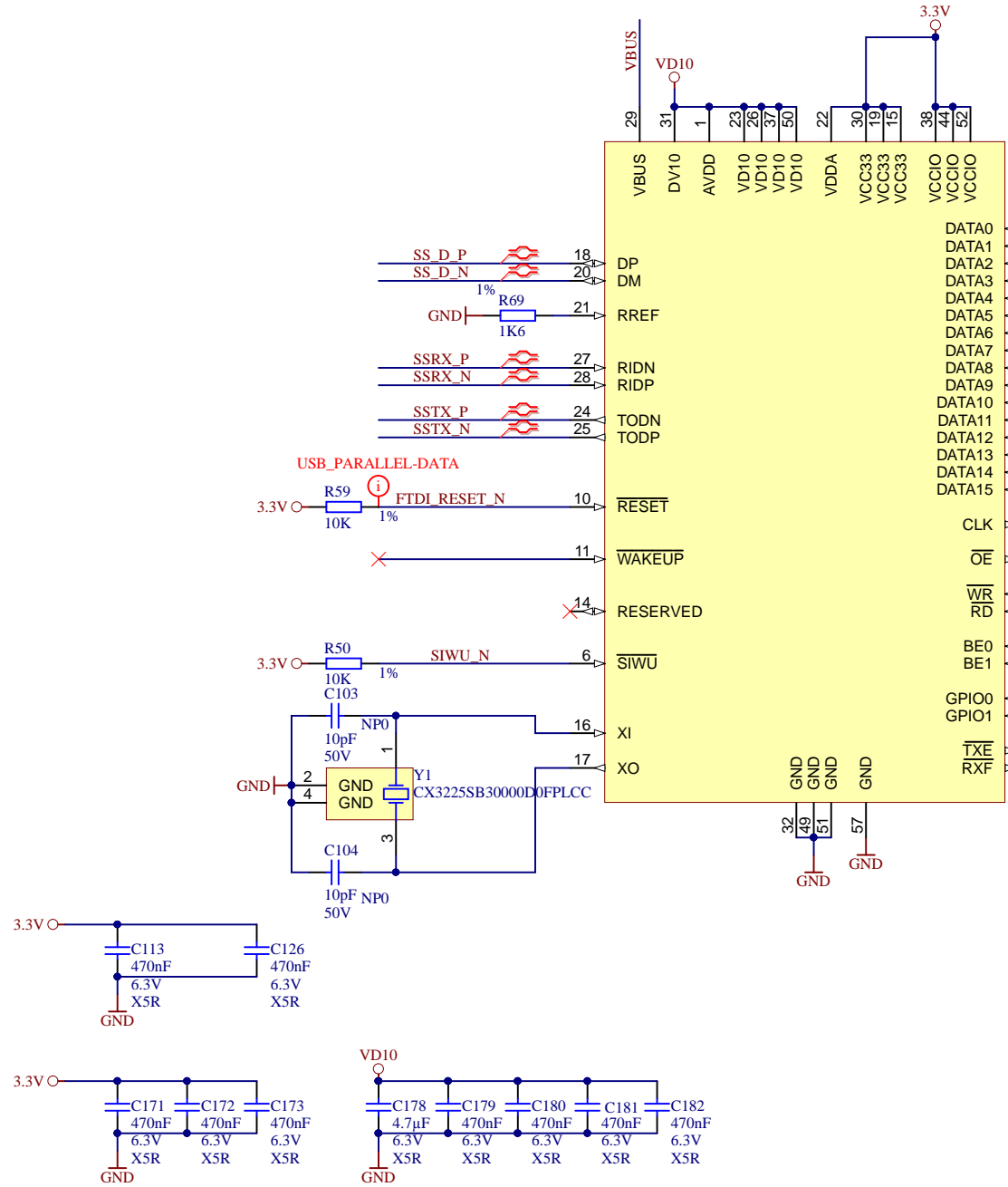
			Title: Clock	
			A4	Number: TE0713 TE0713-100-2C
Date: 2018-09-25		Copyright: Trenz Electronic GmbH		Page 11 of 17
Filename: Clock.SchDoc				



Title: DDR3		
A4	Number: TE0713 TE0713-100-2C	Rev. 02
Date: 2018-09-25	Copyright: Trenz Electronic GmbH	Page 12 of 17
Filename: DDR3-RAM.SchDoc		

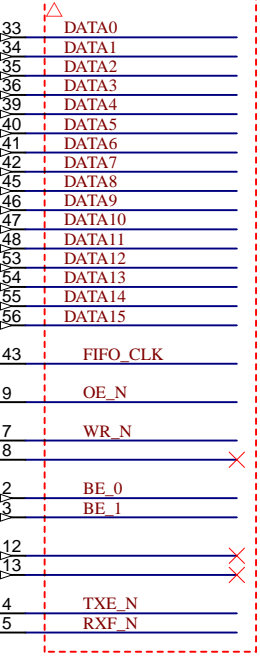


Title: CPLD		
A4	Number: TE0713 TE0713-100-2C	Rev. 02
Date: 2018-09-25	Copyright: Trenz Electronic GmbH	Page 13 of 17
Filename: CPLD.SchDoc		

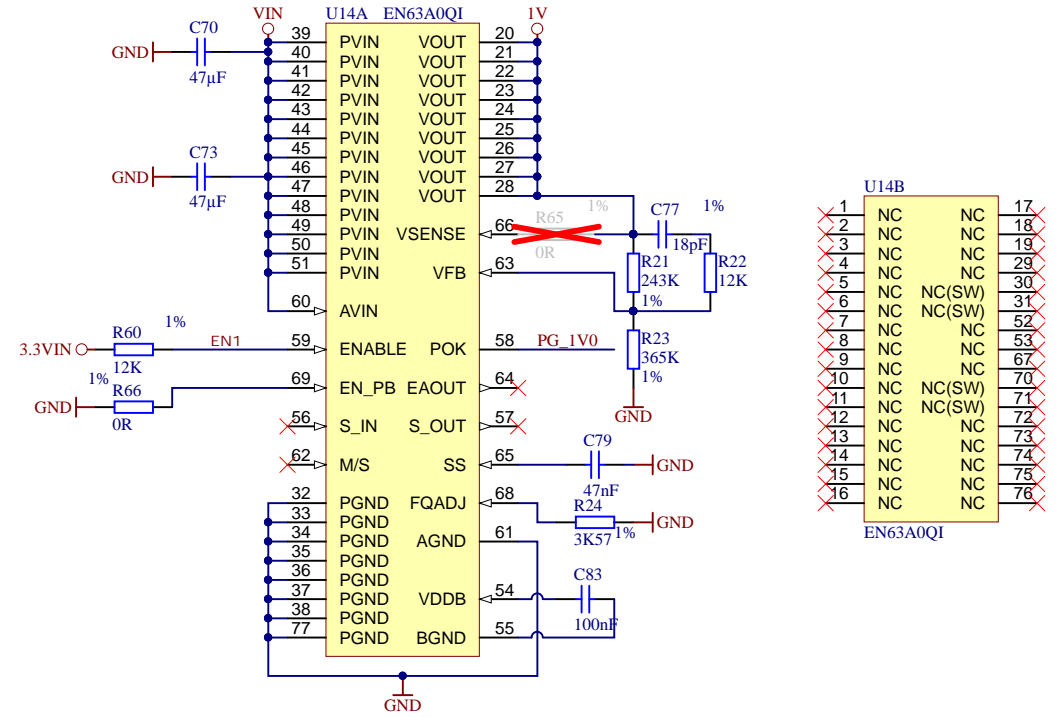
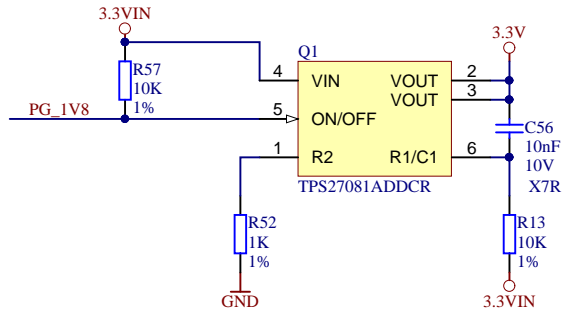


U11
FT600Q

USB_PARALLEL-DATA



Title: TE0713 - FTDI USB		
A4	Number: TE0713 TE0713-100-2C	Rev. 02
Date: 2018-09-25	Copyright: Trenz Electronic GmbH	Page 14 of 17
Filename: USB.SchDoc		



U14B			
1	NC	NC	17
2	NC	NC	18
3	NC	NC	19
4	NC	NC	29
5	NC	NC(SW)	30
6	NC	NC(SW)	31
7	NC	NC(SW)	52
8	NC	NC	53
9	NC	NC	67
10	NC	NC	70
11	NC	NC(SW)	71
12	NC	NC(SW)	72
13	NC	NC	73
14	NC	NC	74
15	NC	NC	75
16	NC	NC	76

R65	R66	MODE	EN63A0QI
OK	X		enable pre-bias start-up
X	OK		disable pre-bias start-up

- VIN ○ TP1 ● Testpoint 0.8mm
- 1V ○ TP2 ● Testpoint 0.8mm
- GND TP6 ● Testpoint 0.8mm
- 3.3VIN ○ TP4 ● Testpoint 0.8mm
- 1.2V_MGT ○ TP5 ● Testpoint 0.8mm
- GND TP9 ● Testpoint 0.8mm
- 3.3V ○ TP7 ● Testpoint 0.8mm
- VCCIO13 ○ TP8 ● Testpoint 0.8mm
- GND TP12 ● Testpoint 0.8mm
- 1.8V ○ TP10 ● Testpoint 0.8mm
- VCCIO15 ○ TP11 ● Testpoint 0.8mm
- GND TP15 ● Testpoint 0.8mm
- DDR_PWR ○ TP13 ● Testpoint 0.8mm
- VCCIO16 ○ TP14 ● Testpoint 0.8mm
- GND TP16 ● Testpoint 0.8mm
- VTTREF ○ TP3 ● Testpoint 0.8mm

Title: PWR		
A4	Number: TE0713 TE0713-100-2C	Rev. 02
Date: 2018-09-25	Copyright: Trenz Electronic GmbH	Page15 of 17
Filename: PWR1.SchDoc		

1

2

3

4

A

A

B

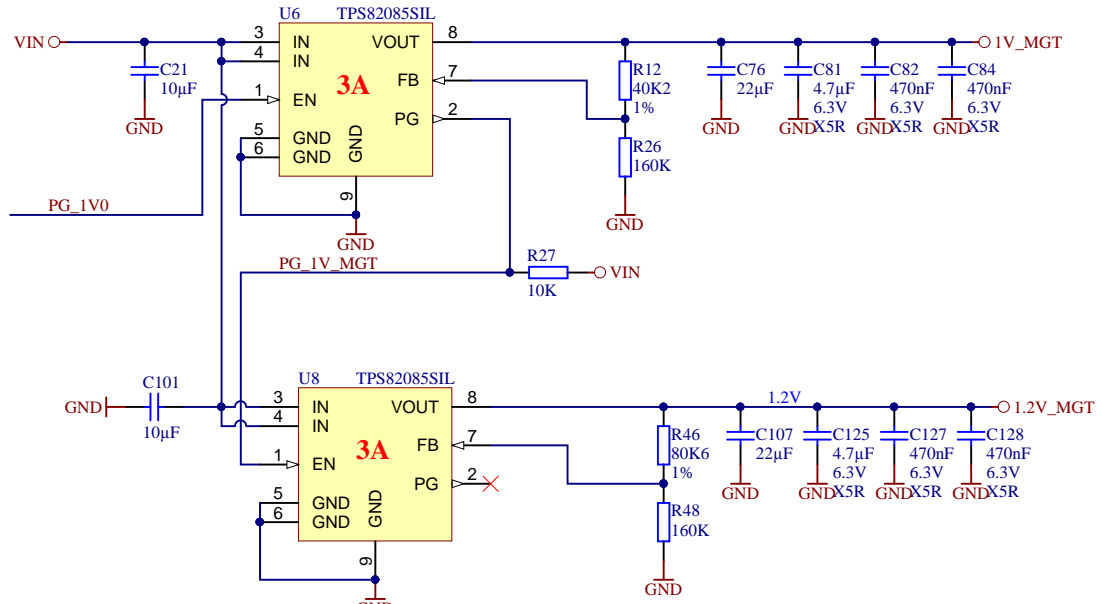
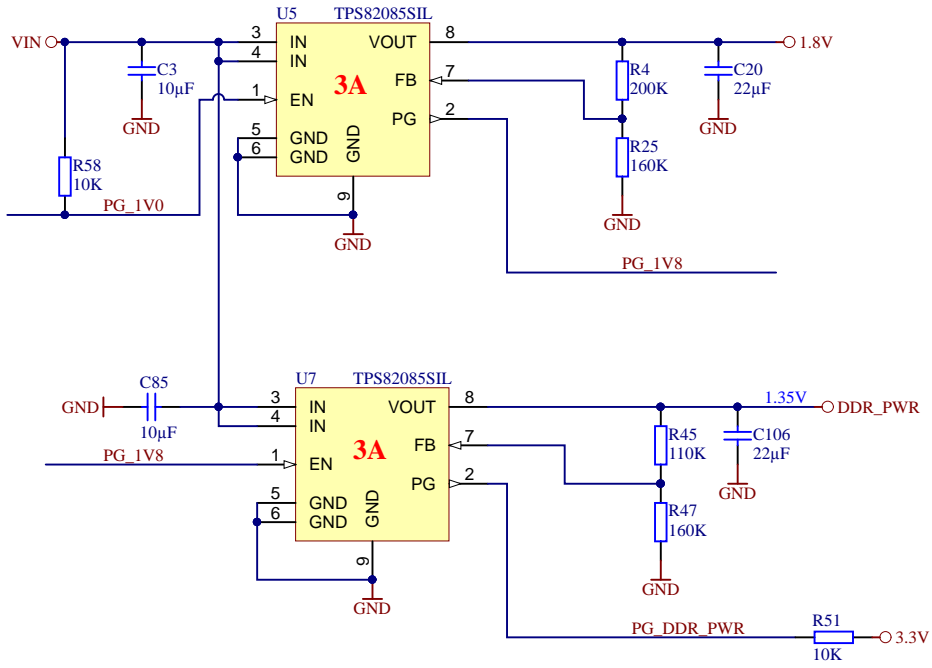
B

C

C

D

D



Title: PWR		
A4	Number: TE0713 TE0713-100-2C	Rev. 02
Date: 2018-09-25	Copyright: Trenz Electronic GmbH	Page 16 of 17
Filename: PWR2.SchDoc		

1

2

3

4

1

2

3

4

Changes REV 02:

- 1. Added pull-up resistor R57 (10k) to PG_1V8
- 2. Added pull-up resistor R58 (10k) to PG_1V0
- 3. Added pull-up resistor R59 (10k) to FTDI_RESET_N
- 4. Changed NRND component Q1 TPS27082LDDCR -> TPS27081ADDCR
- 5. Removed 100R resistors (R52,R56)
- 6. Full upd LIB

A

A

B


B

C

C

D

D

		Title: TE0714		
		A4	Number: TE0713 TE0713-100-2C	Rev. 02
		Date: 2018-09-25	Copyright: Trenz Electronic GmbH / TT	Page 17 of 17
		Filename: Revision Changes.SchDoc		

1

2

3

4