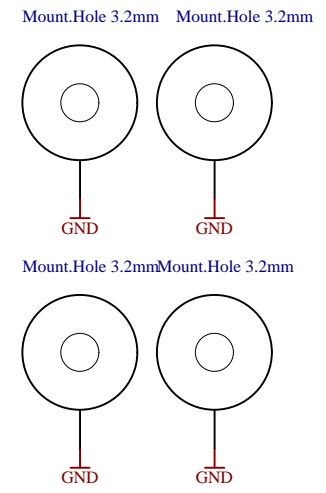
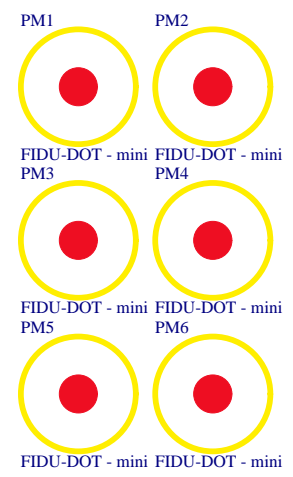
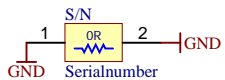
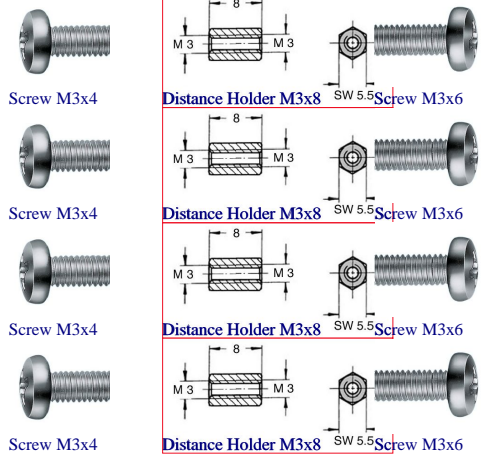


- U_B2B-Connectors
B2B-Connectors.SchDoc
- U_B13
B13.SchDoc
- U_B14
B14.SchDoc
- U_B15
B15.SchDoc
- U_B16
B16.SchDoc
- U_B34
B34.SchDoc
- U_FPGA-MGT
FPGA-MGT.SchDoc
- U_FPGA-CFG
FPGA-CFG.SchDoc
- U_FPGA-PWR
FPGA-PWR.SchDoc
- U_Clock
Clock.SchDoc
- U_DDR3-RAM
DDR3-RAM.SchDoc
- U_USB
USB.SchDoc
- U_CPLD
CPLD.SchDoc
- U_PWR1
PWR1.SchDoc
- U_PWR2
PWR2.SchDoc

Serial
Serialnumber 6,3 x 6.3mm



Top of Board



LOGO1
TE Logo PRINT Layer
LOGO PRINT

	Title: TE0713		
	A4	Number: TE0713 TE0713-200-2C	Rev. 02
	Date: 2018-09-25	Copyright: Trenz Electronic GmbH	Page 1 of 17
	Filename: TE0713.SchDoc		

1

2

3

4

A

A

B

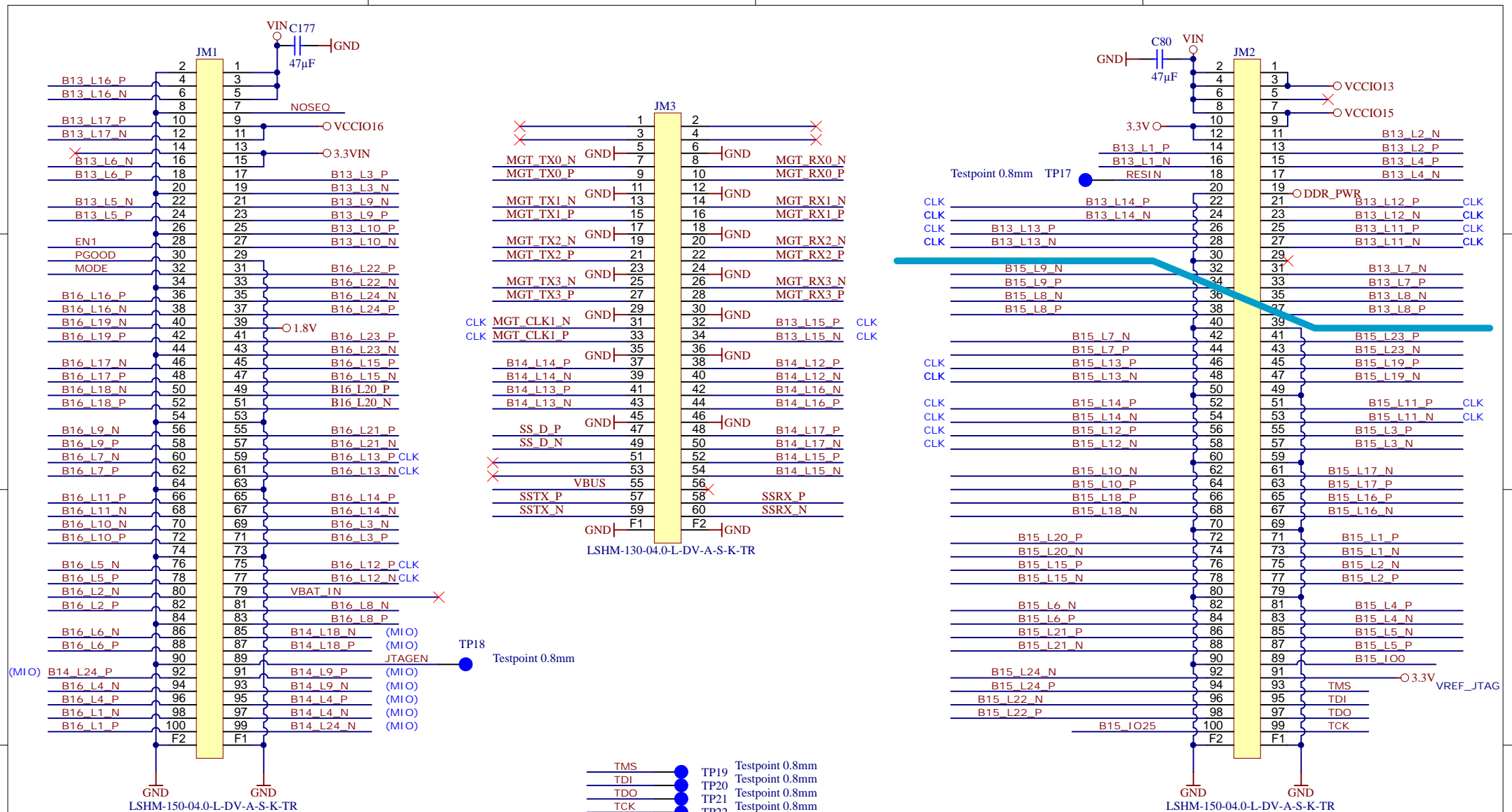
B

C

C

D

D



- TMS ● TP19 Testpoint 0.8mm
- TDI ● TP20 Testpoint 0.8mm
- TDO ● TP21 Testpoint 0.8mm
- TCK ● TP22 Testpoint 0.8mm



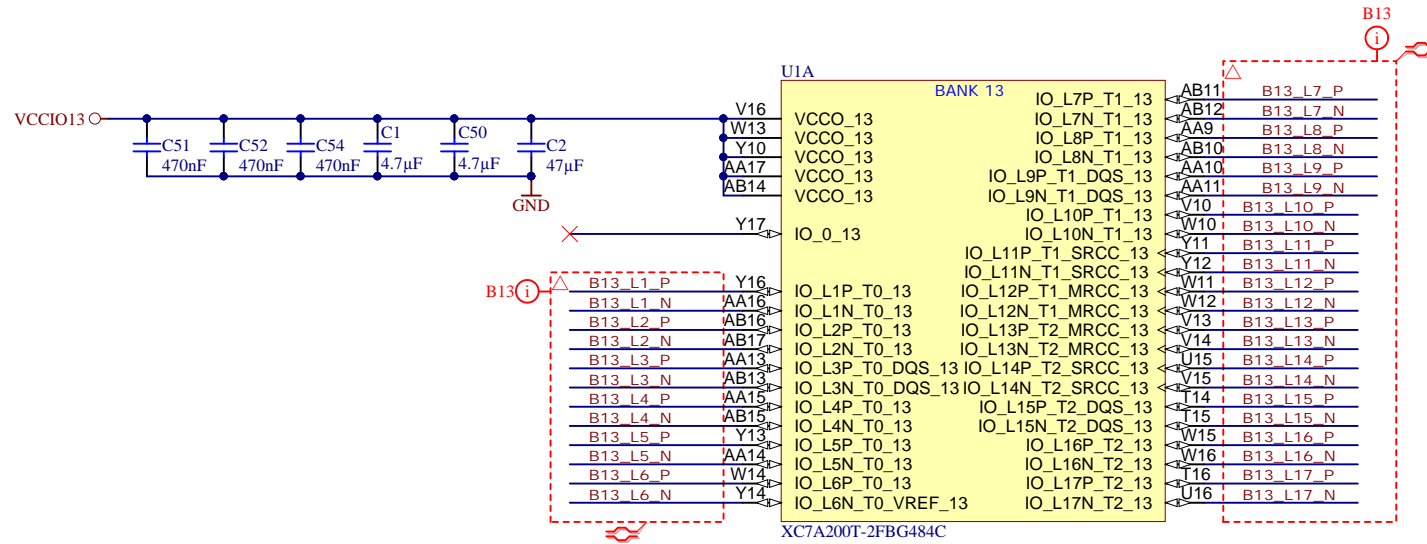
Title: B2B		
A4	Number: TE0713 TE0713-200-2C	Rev. 02
Date: 2018-09-25	Copyright: Trenz Electronic GmbH	Page2 of 17
Filename: B2B-Connectors.SchDoc		

1

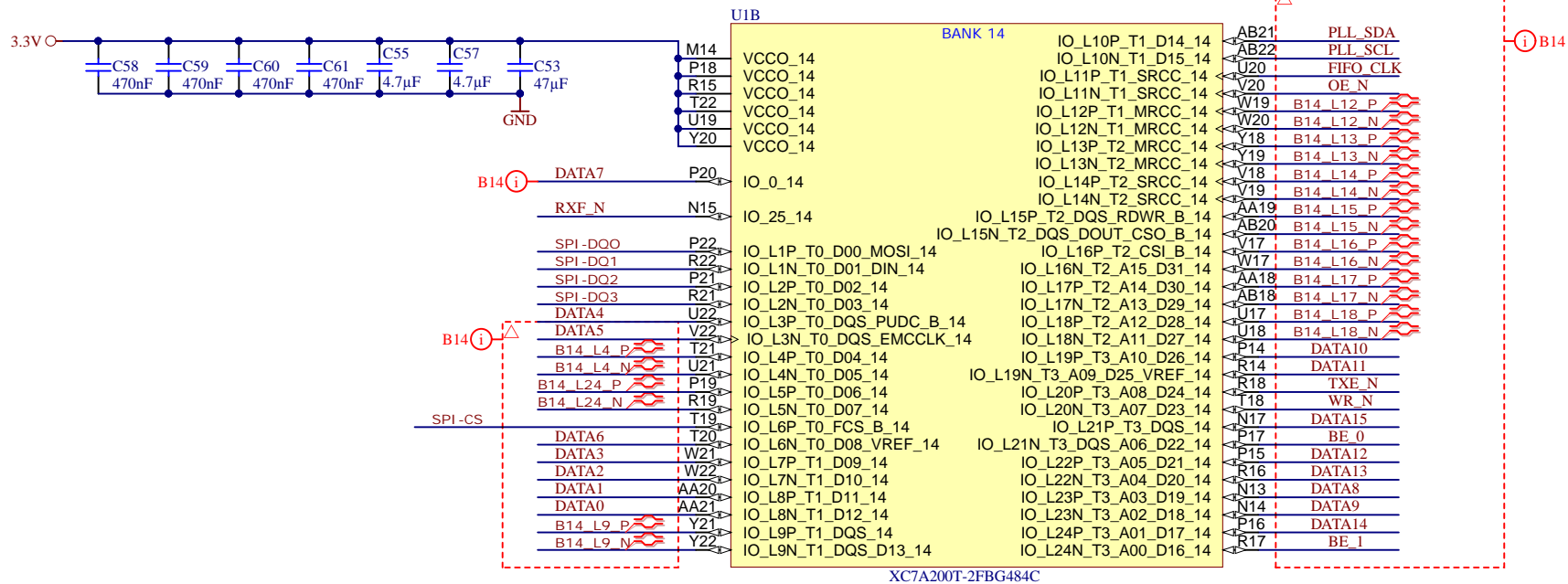
2

3

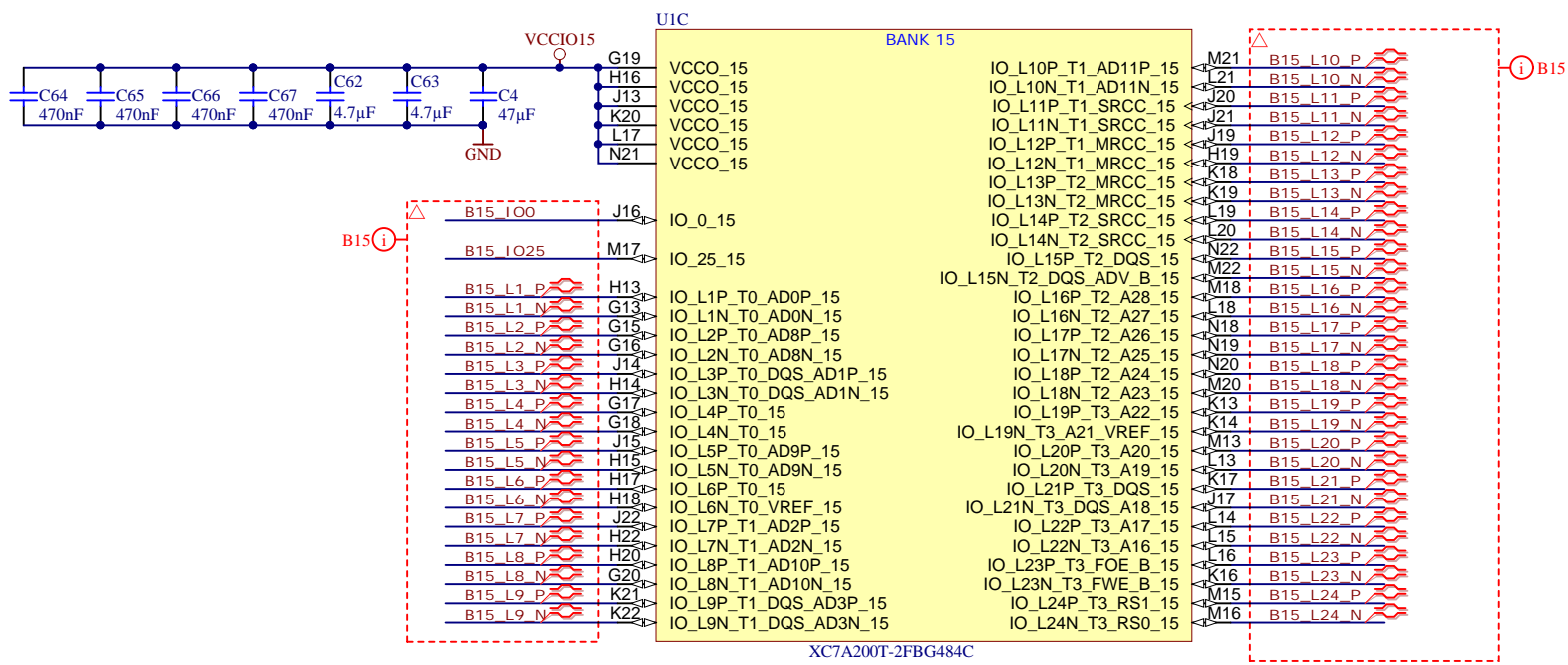
4



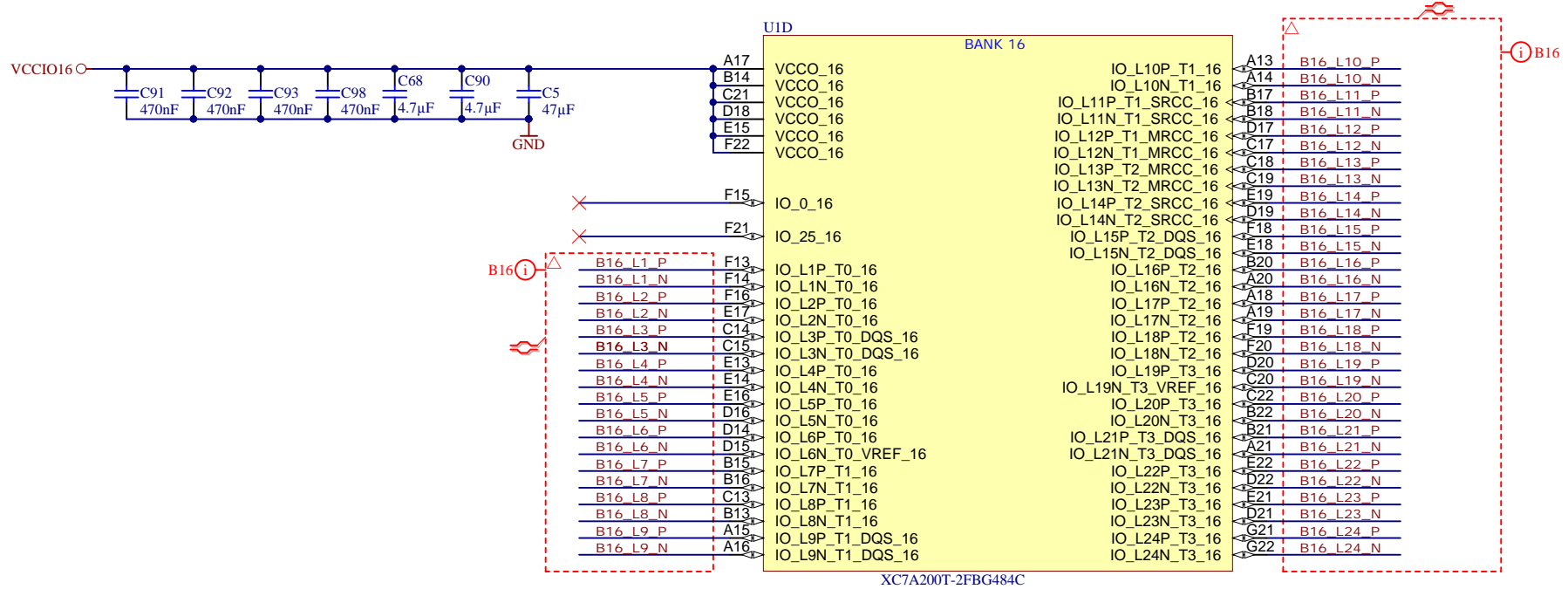
Title: B13		
A4	Number: TE0713 TE0713-200-2C	Rev. 02
Date: 2018-09-25	Copyright: Trenz Electronic GmbH	Page 3 of 17
Filename: B13.SchDoc		



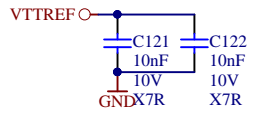
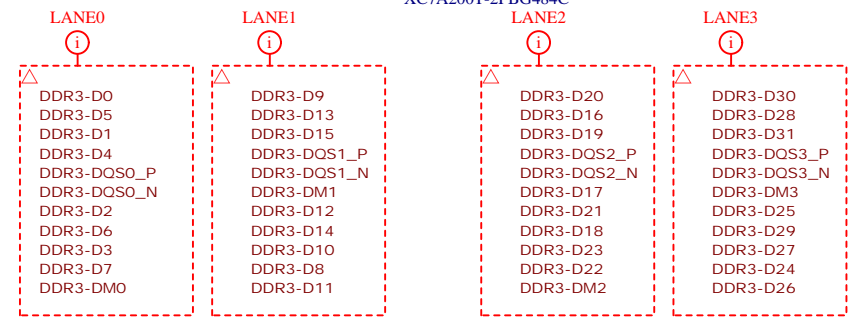
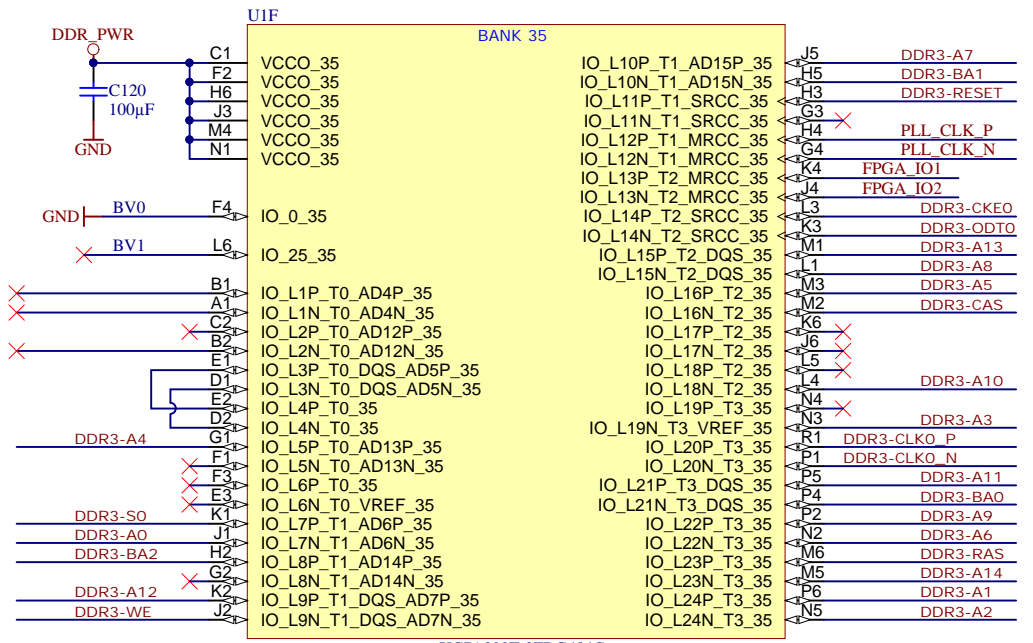
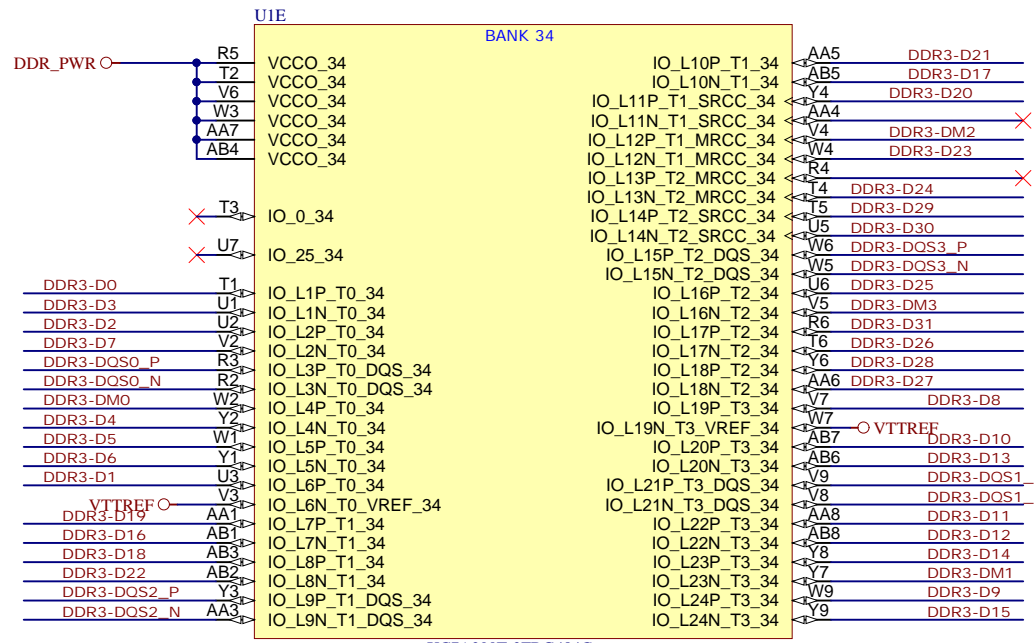
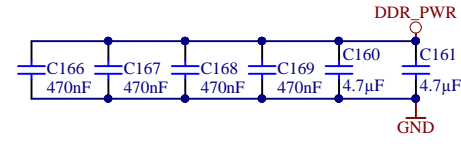
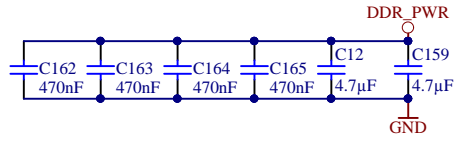
	Title: B14		
	A4	Number: TE0713 TE0713-200-2C	Rev. 02
	Date: 2018-09-25	Copyright: Trenz Electronic GmbH	Page 4 of 17
	Filename: B14.SchDoc		



Title: B15		
A4	Number: TE0713 TE0713-200-2C	Rev. 02
Date: 2018-09-25	Copyright: Trenz Electronic GmbH	Page 5 of 17
Filename: B15.SchDoc		



	Title: B16		
	A4	Number: TE0713 TE0713-200-2C	Rev. 02
	Date: 2018-09-25	Copyright: Trenz Electronic GmbH	Page 6 of 17
	Filename: B16.SchDoc		



Title: B34		
A4	Number: TE0713 TE0713-200-2C	Rev. 02
Date: 2018-09-25	Copyright: Trenz Electronic GmbH	Page 7 of 17
Filename: B34.SchDoc		

1

2

3

4

A

A

B

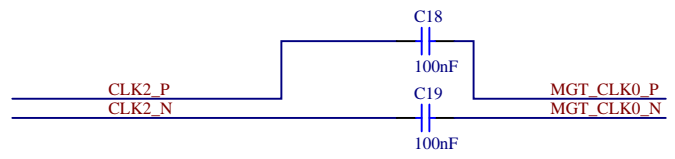
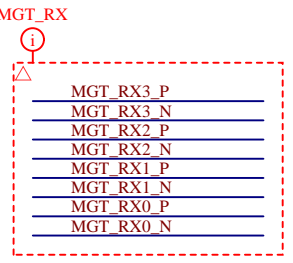
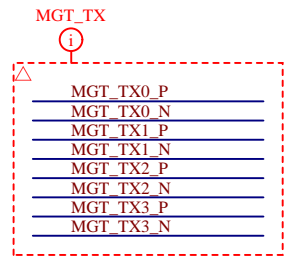
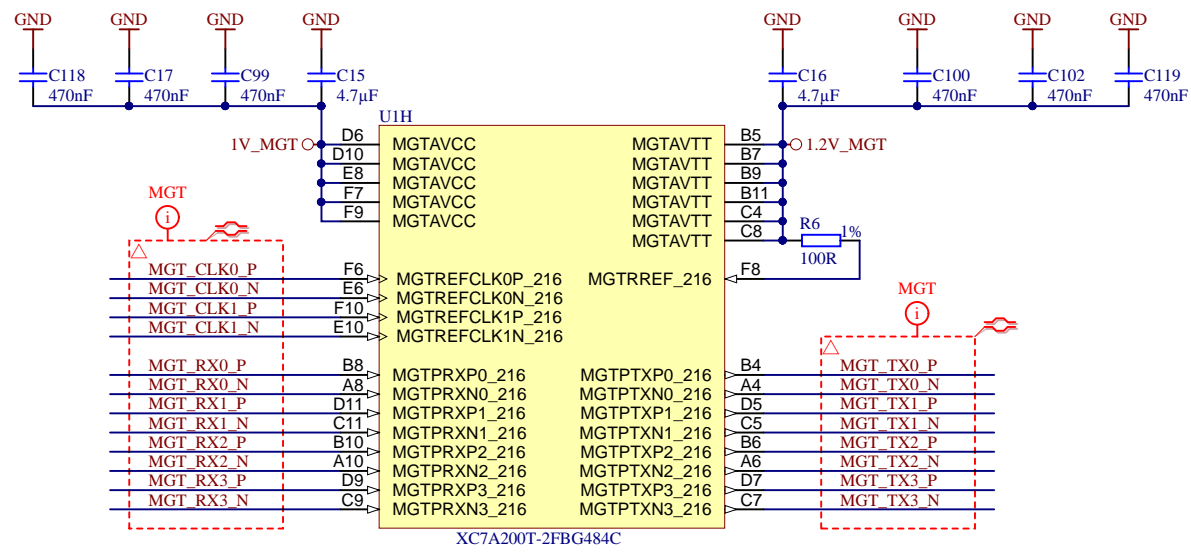
B

C

C

D

D



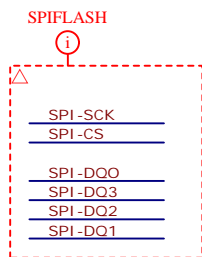
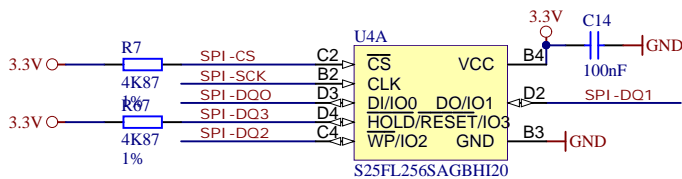
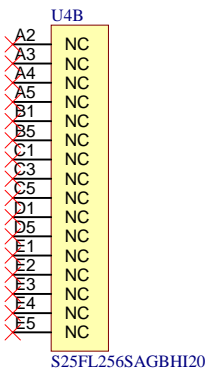
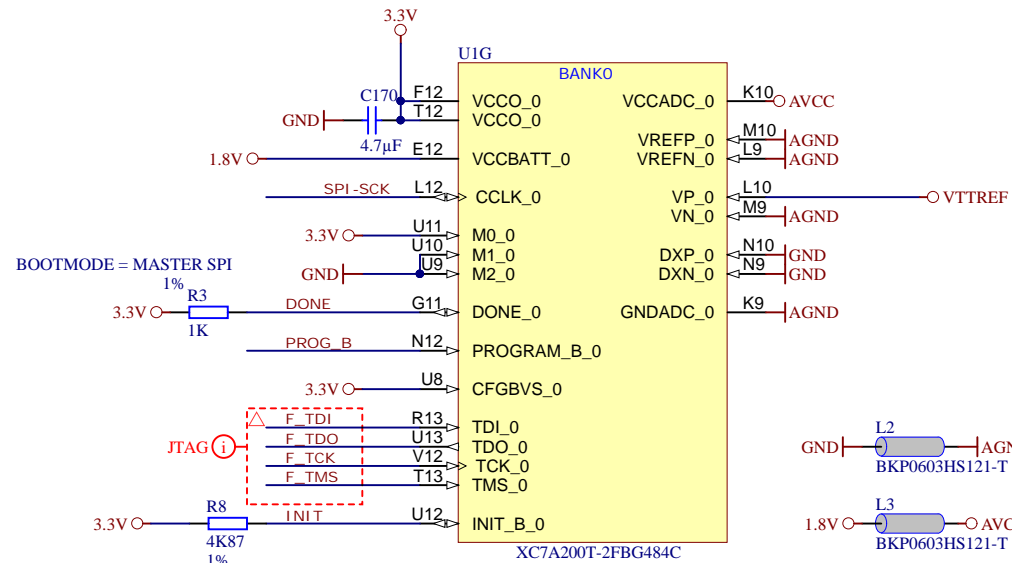
Title: MGT		
A4	Number: TE0713 TE0713-200-2C	Rev. 02
Date: 2018-09-25	Copyright: Trenz Electronic GmbH	Page 8 of 17
Filename: FPGA-MGT.SchDoc		

1

2

3

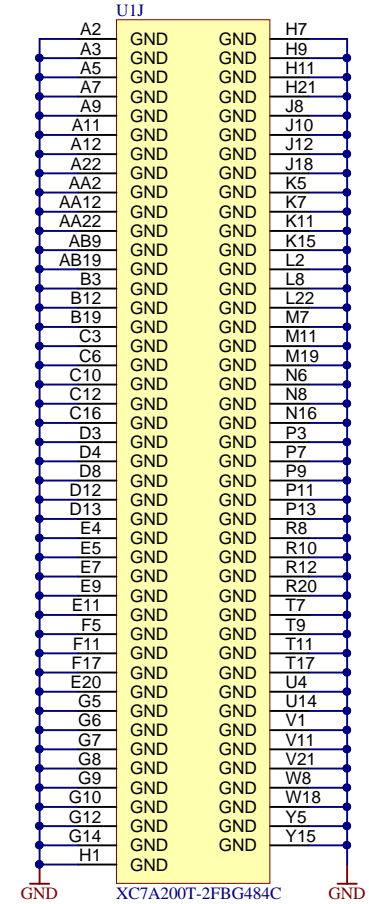
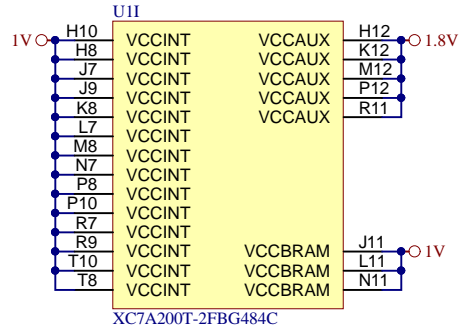
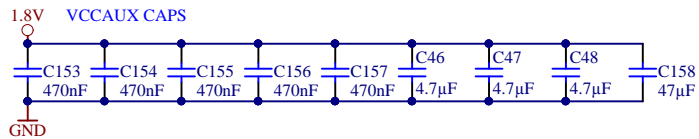
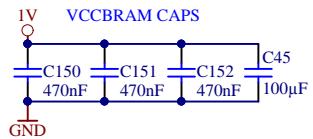
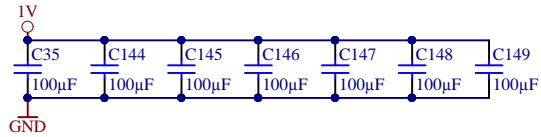
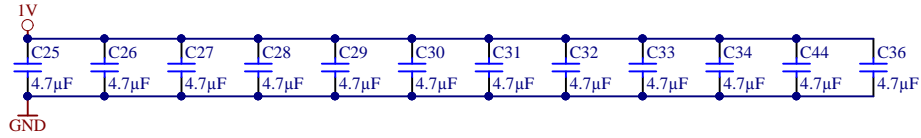
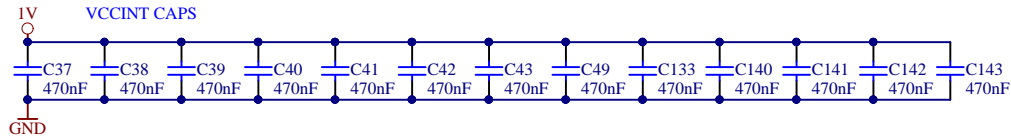
4



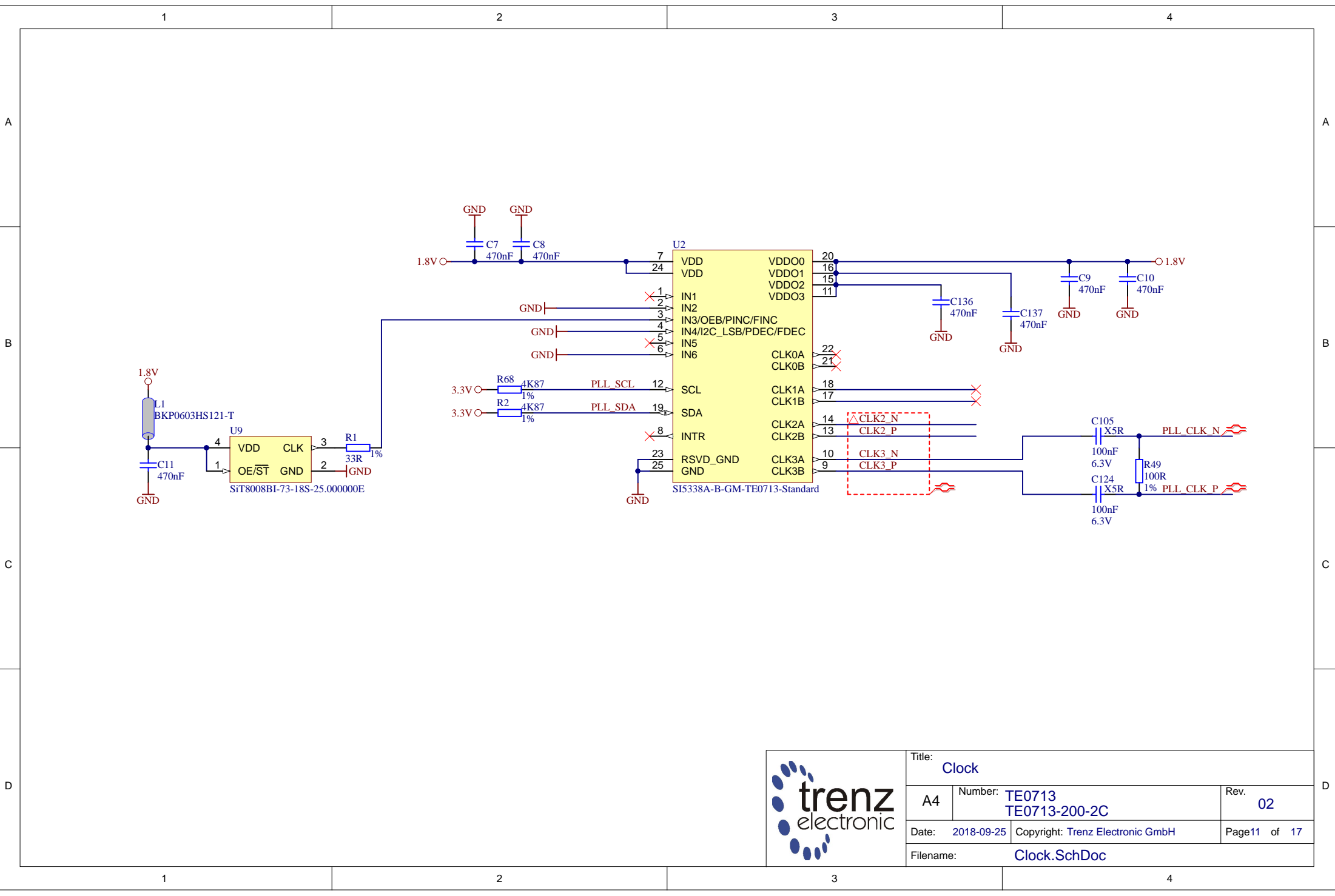
trenz electronic


Title: CFG

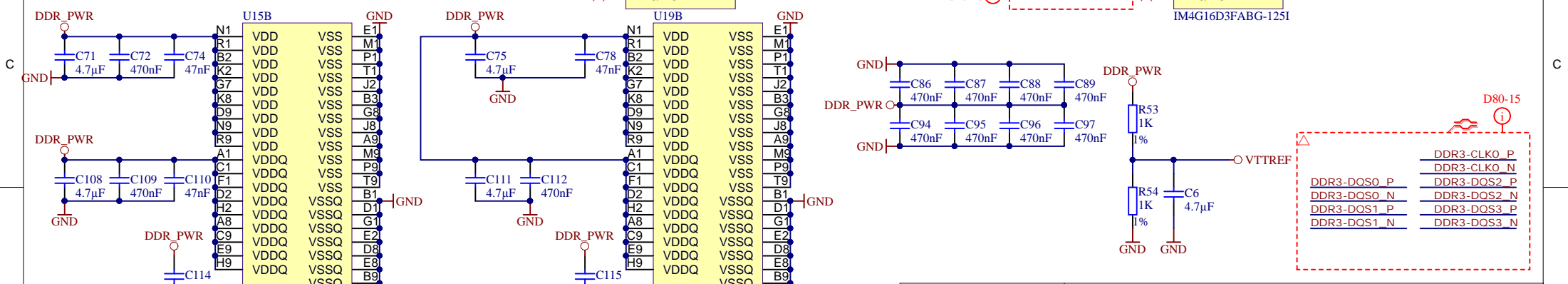
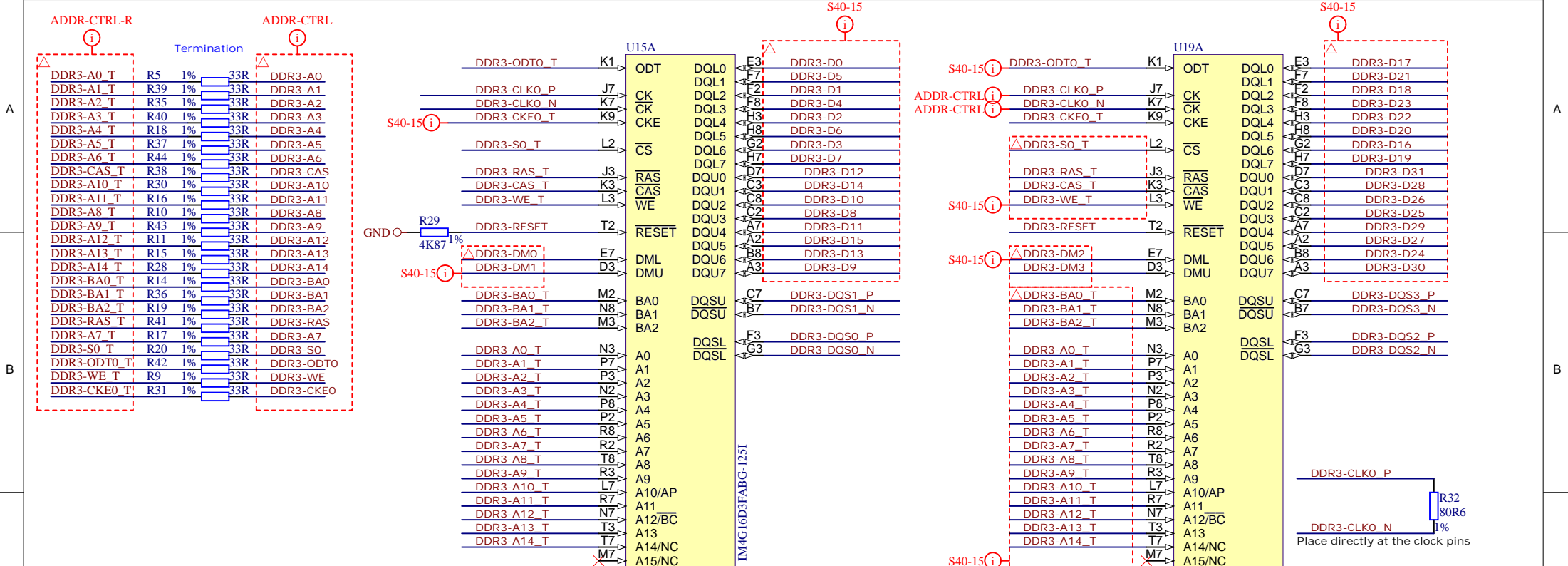
A4	Number: TE0713 TE0713-200-2C	Rev. 02
Date: 2018-09-25	Copyright: Trenz Electronic GmbH	Page9 of 17
Filename: FPGA-CFG.SchDoc		



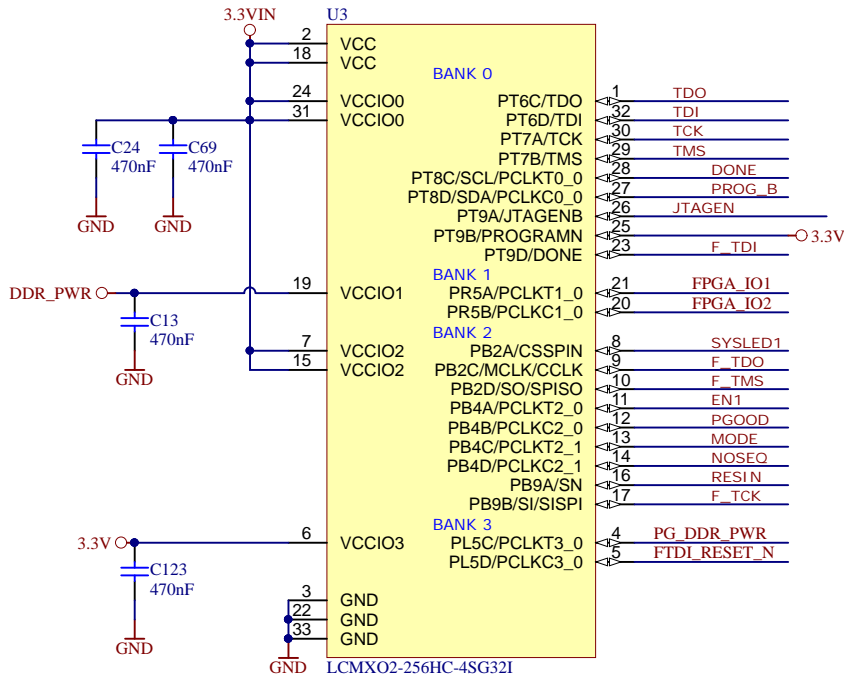
Title: PWR		
A4	Number: TE0713 TE0713-200-2C	Rev. 02
Date: 2018-09-25	Copyright: Trenz Electronic GmbH	Page 10 of 17
Filename: FPGA-PWR.SchDoc		



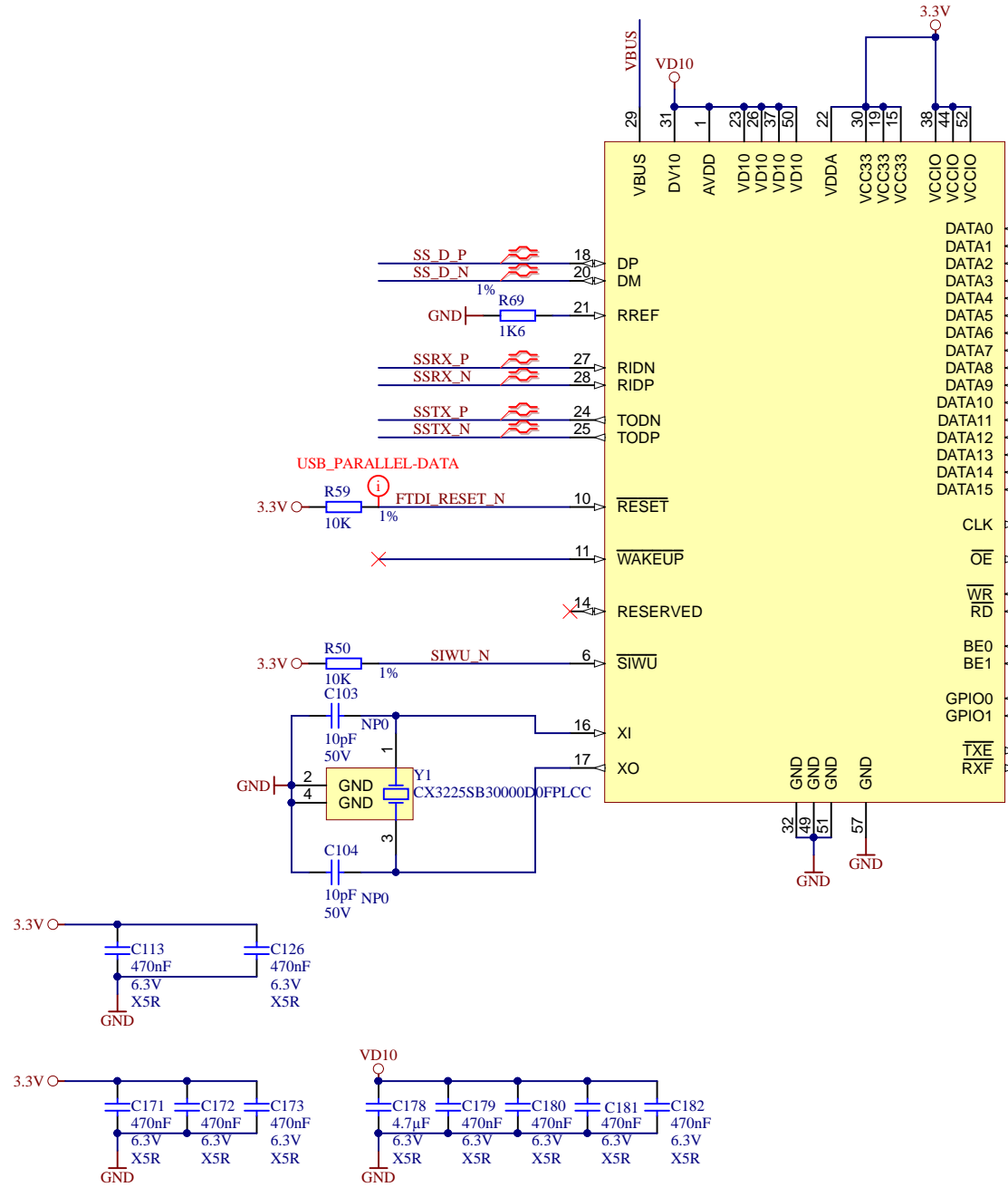
		Title: Clock	
		A4	Number: TE0713 TE0713-200-2C
Date: 2018-09-25		Copyright: Trenz Electronic GmbH	
Page 11 of 17		Filename: Clock.SchDoc	



Title: DDR3		
A4	Number: TE0713 TE0713-200-2C	Rev. 02
Date: 2018-09-25	Copyright: Trenz Electronic GmbH	Page 12 of 17
Filename: DDR3-RAM.SchDoc		

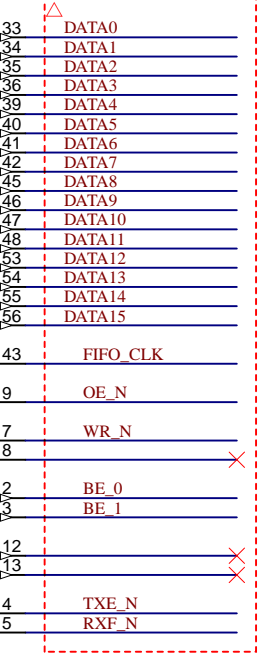


Title: CPLD		
A4	Number: TE0713 TE0713-200-2C	Rev. 02
Date: 2018-09-25	Copyright: Trenz Electronic GmbH	Page 13 of 17
Filename: CPLD.SchDoc		

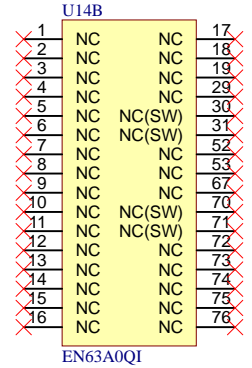
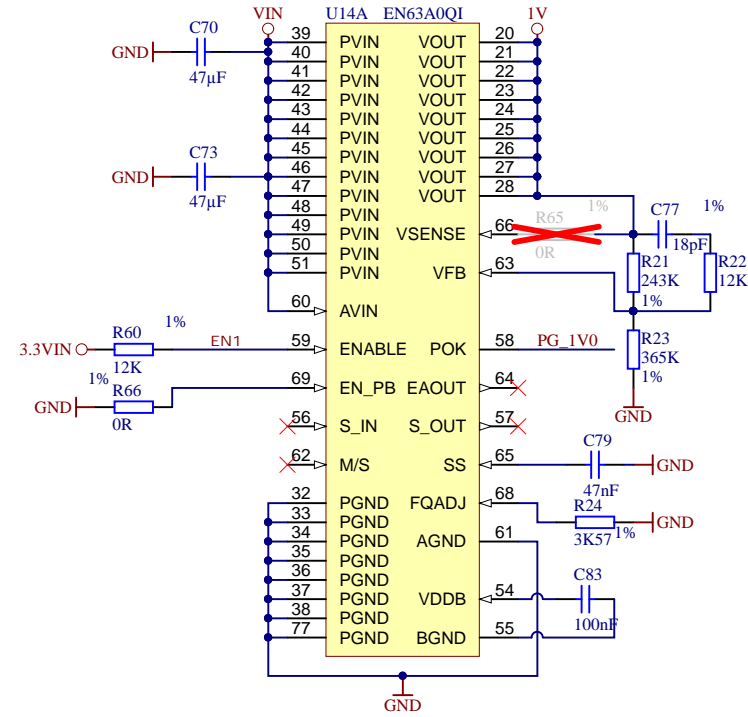
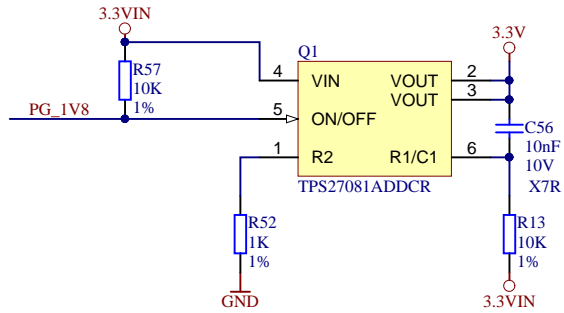


U11
FT600Q

USB_PARALLEL-DATA



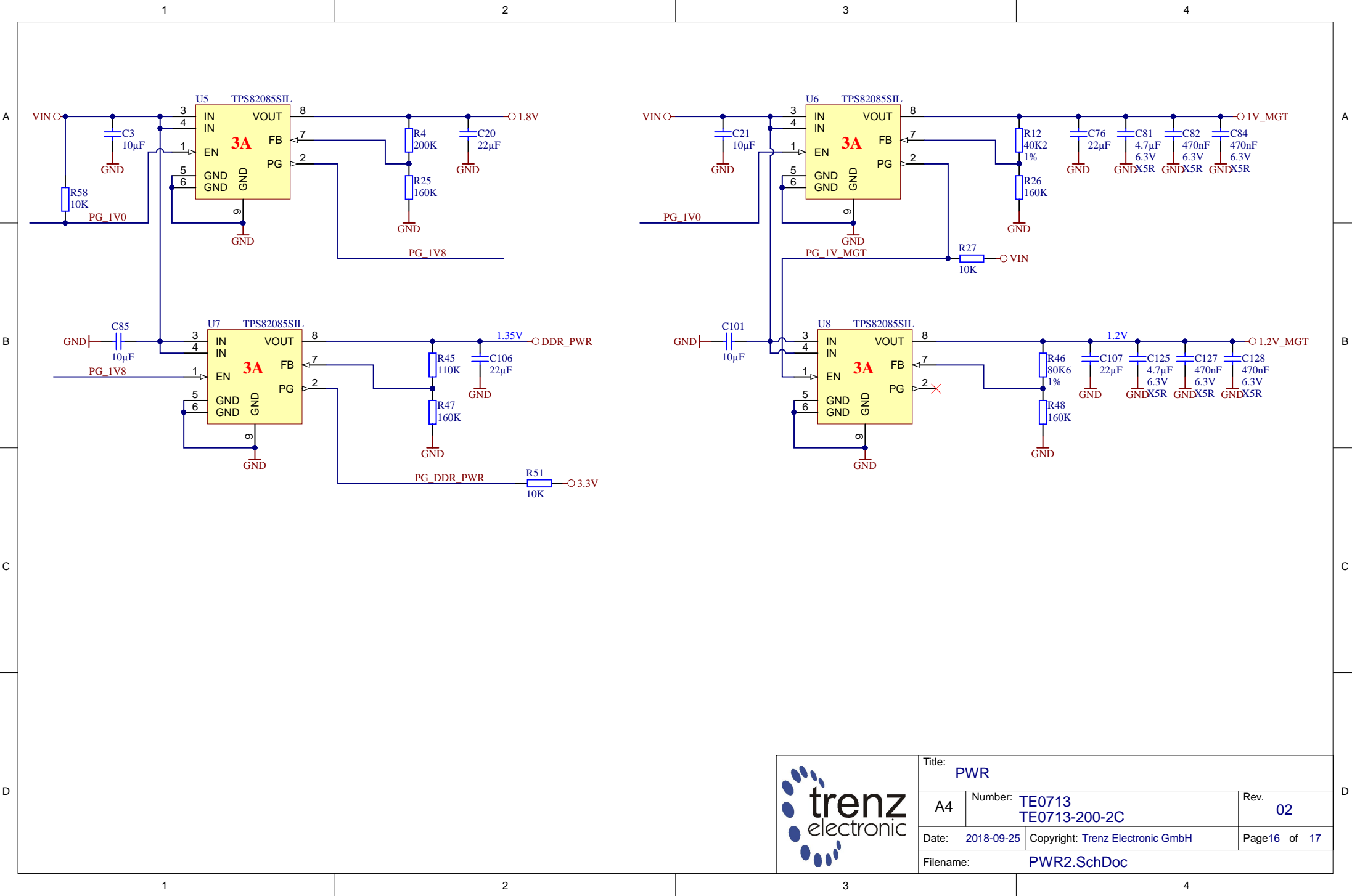
Title: TE0713 - FTDI USB		
A4	Number: TE0713 TE0713-200-2C	Rev. 02
Date: 2018-09-25	Copyright: Trenz Electronic GmbH	Page 14 of 17
Filename: USB.SchDoc		




R65	R66	MODE	EN63A0QI
OK	X		enable pre-bias start-up
X	OK		disable pre-bias start-up

- VIN ○ TP1 ● Testpoint 0.8mm
- 1V ○ TP2 ● Testpoint 0.8mm
- GND TP6 ● Testpoint 0.8mm
- 3.3VIN ○ TP4 ● Testpoint 0.8mm
- 1.2V_MGT ○ TP5 ● Testpoint 0.8mm
- GND TP9 ● Testpoint 0.8mm
- 3.3V ○ TP7 ● Testpoint 0.8mm
- VCCIO13 ○ TP8 ● Testpoint 0.8mm
- GND TP12 ● Testpoint 0.8mm
- 1.8V ○ TP10 ● Testpoint 0.8mm
- VCCIO15 ○ TP11 ● Testpoint 0.8mm
- GND TP15 ● Testpoint 0.8mm
- DDR_PWR ○ TP13 ● Testpoint 0.8mm
- VCCIO16 ○ TP14 ● Testpoint 0.8mm
- GND TP16 ● Testpoint 0.8mm
- VTTREF ○ TP3 ● Testpoint 0.8mm

Title: PWR		
A4	Number: TE0713 TE0713-200-2C	Rev. 02
Date: 2018-09-25	Copyright: Trenz Electronic GmbH	Page15 of 17
Filename: PWR1.SchDoc		



		Title: PWR	
		A4	Number: TE0713 TE0713-200-2C
Date: 2018-09-25		Copyright: Trenz Electronic GmbH	
Filename: PWR2.SchDoc		Page 16 of 17	

1

2

3

4

Changes REV 02:

- 1. Added pull-up resistor R57 (10k) to PG_1V8
- 2. Added pull-up resistor R58 (10k) to PG_1V0
- 3. Added pull-up resistor R59 (10k) to FTDI_RESET_N
- 4. Changed NRND component Q1 TPS27082LDDCR -> TPS27081ADDCR
- 5. Removed 100R resistors (R52,R56)
- 6. Full upd LIB

A

A

B


B

C

C

D

D

		Title: TE0714	
		A4	Number: TE0713 TE0713-200-2C
Date: 2018-09-25		Copyright: Trenz Electronic GmbH / TT	
Filename: Revision Changes.SchDoc		Page 17 of 17	

1

2

3

4