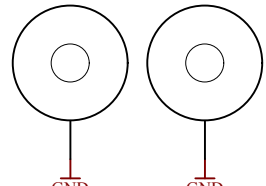
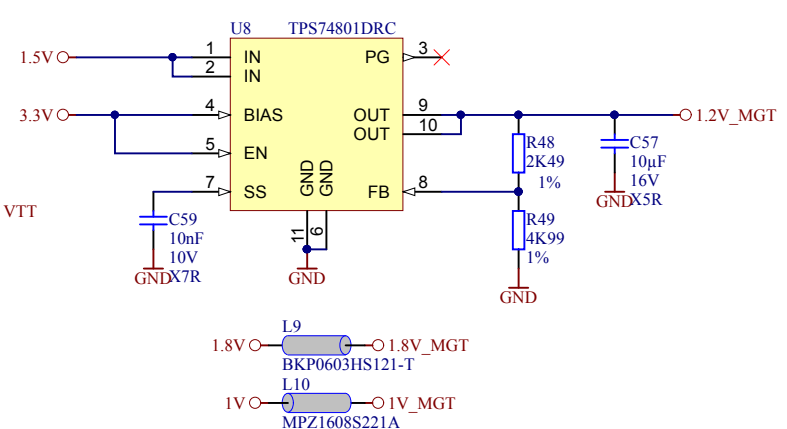
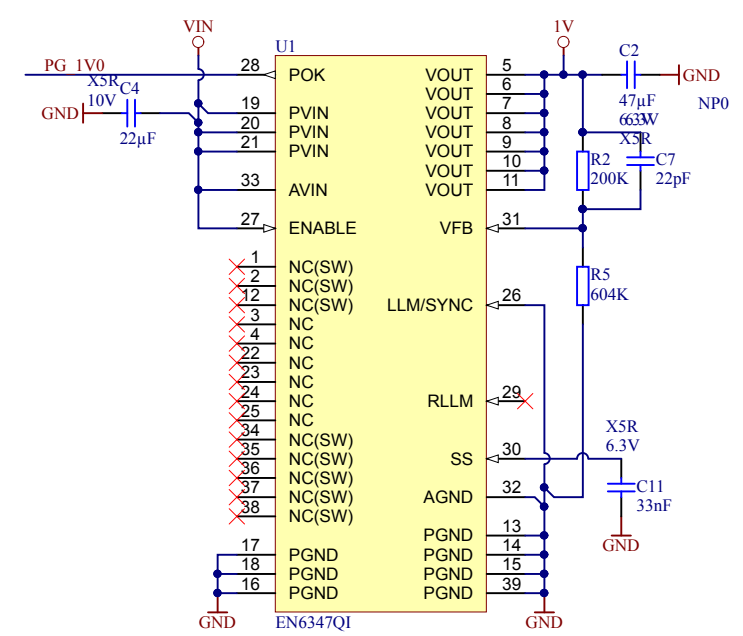
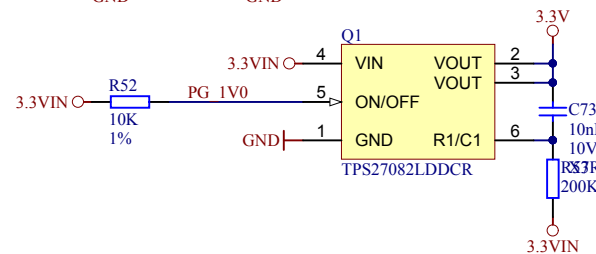
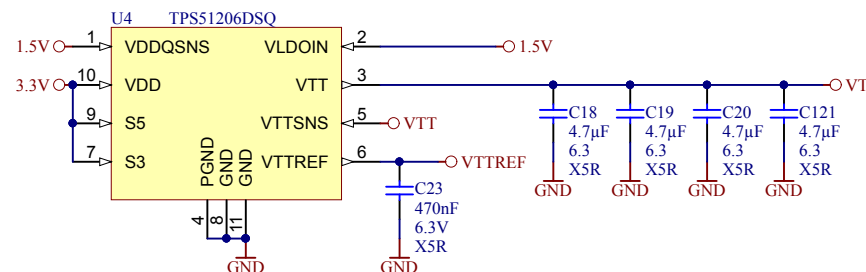
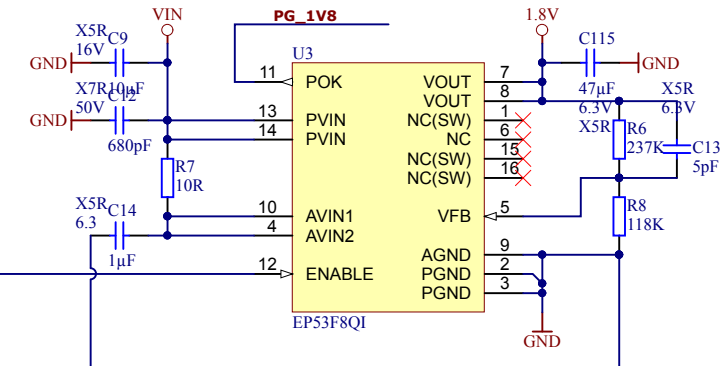
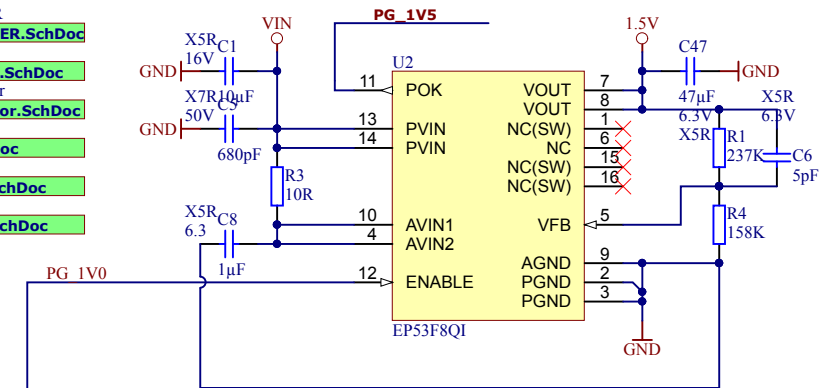
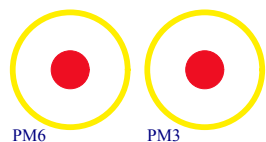
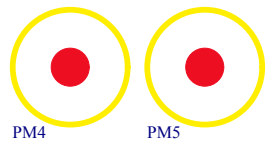
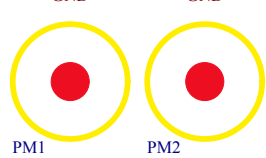
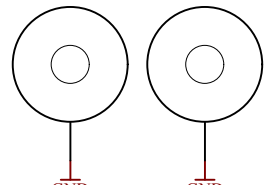


FPGA-MISC	FPGA-POWER
FPGA-MISC.SchDoc	FPGA-POWER.SchDoc
B13	DDR3-RAM
B13.SchDoc	DDR3-RAM.SchDoc
B34	B2B Connector
B34.SchDoc	B2B_Connector.SchDoc
B35	Clock
B35.SchDoc	Clock.SchDoc
MIO-BANKS	ETH-PHY
MIO-BANKS.SchDoc	ETH-PHY.SchDoc
MGT	USB-PHY
MGT.SchDoc	USB-PHY.SchDoc
DDR-BANK	
DDR-BANK.SchDoc	

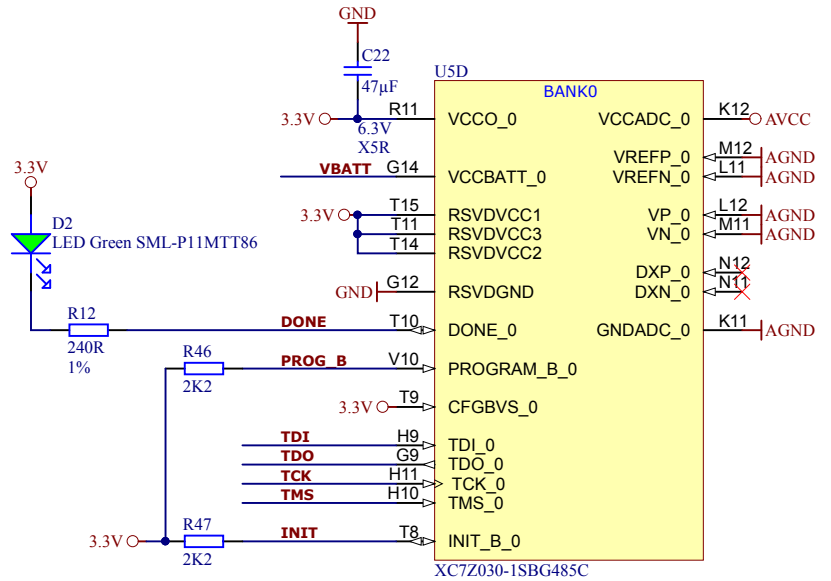
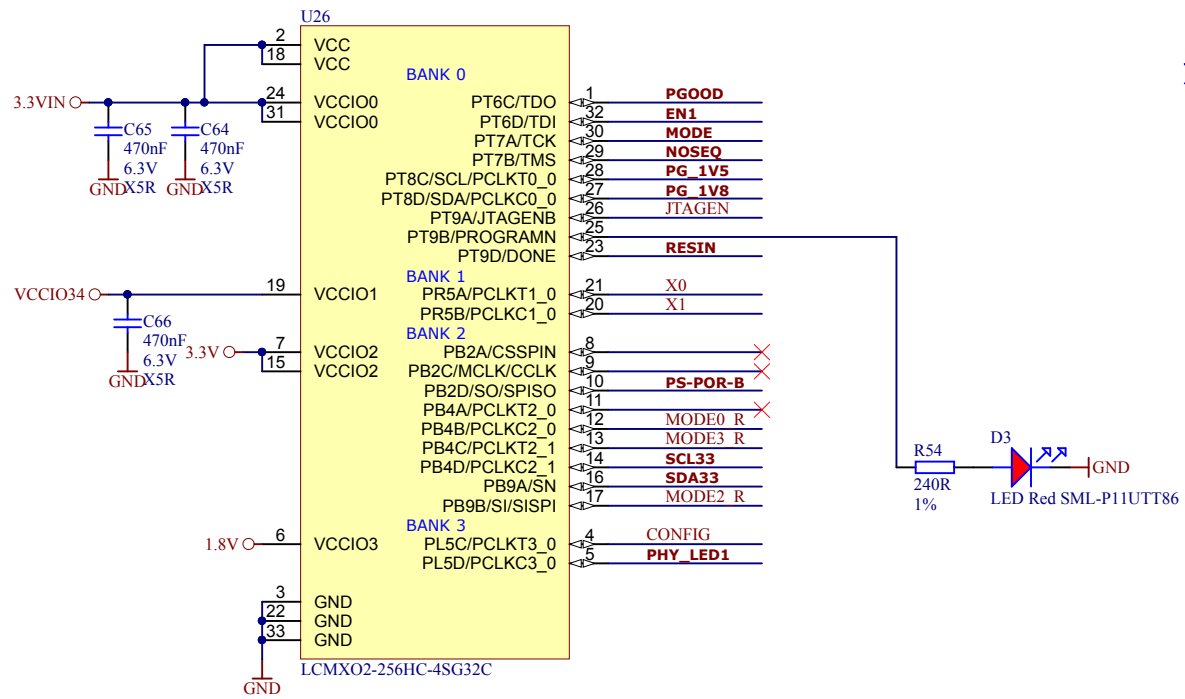
Mount.Hole 3.2mmMount.Hole 3.2mm



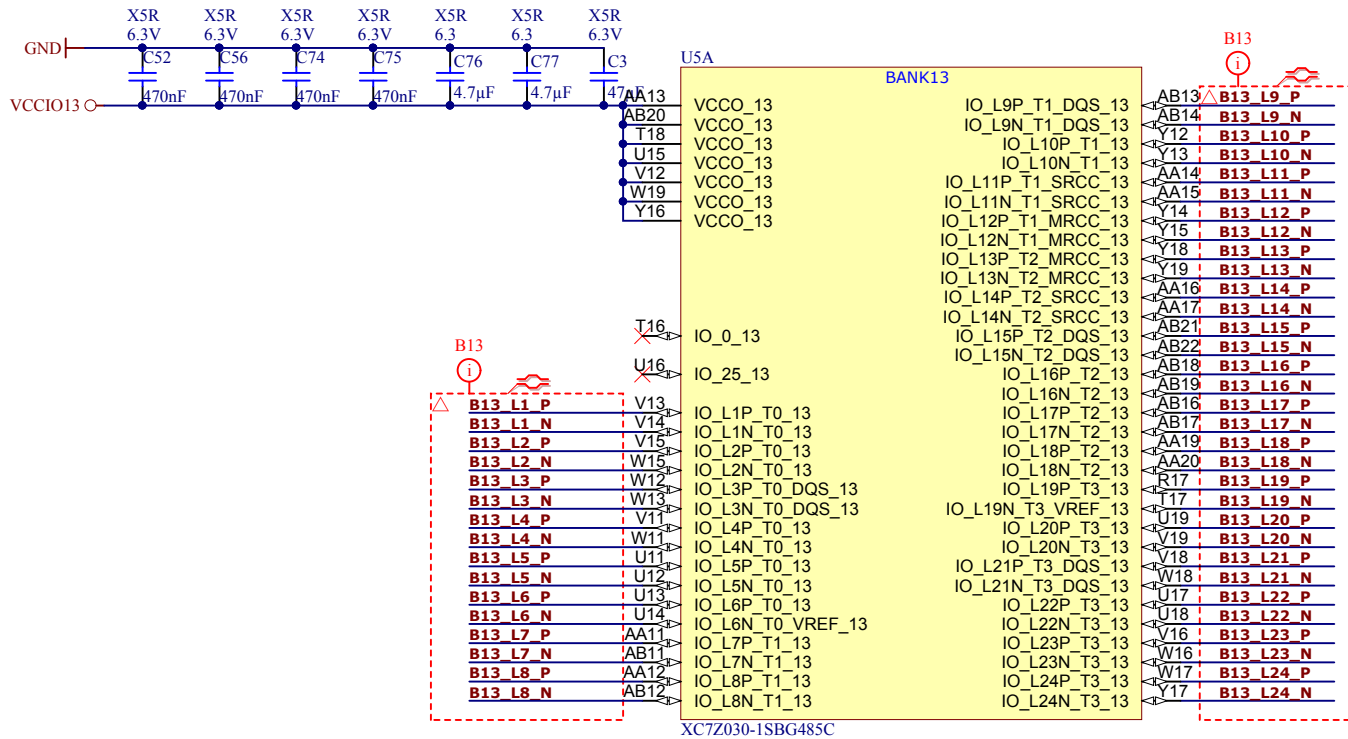
Mount.Hole 3.2mmMount.Hole 3.2mm



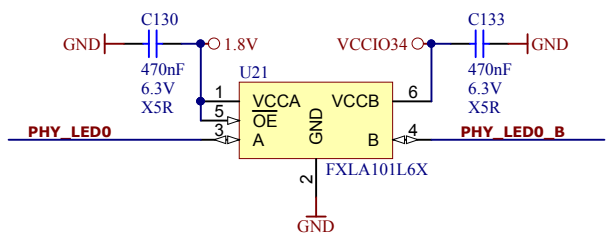
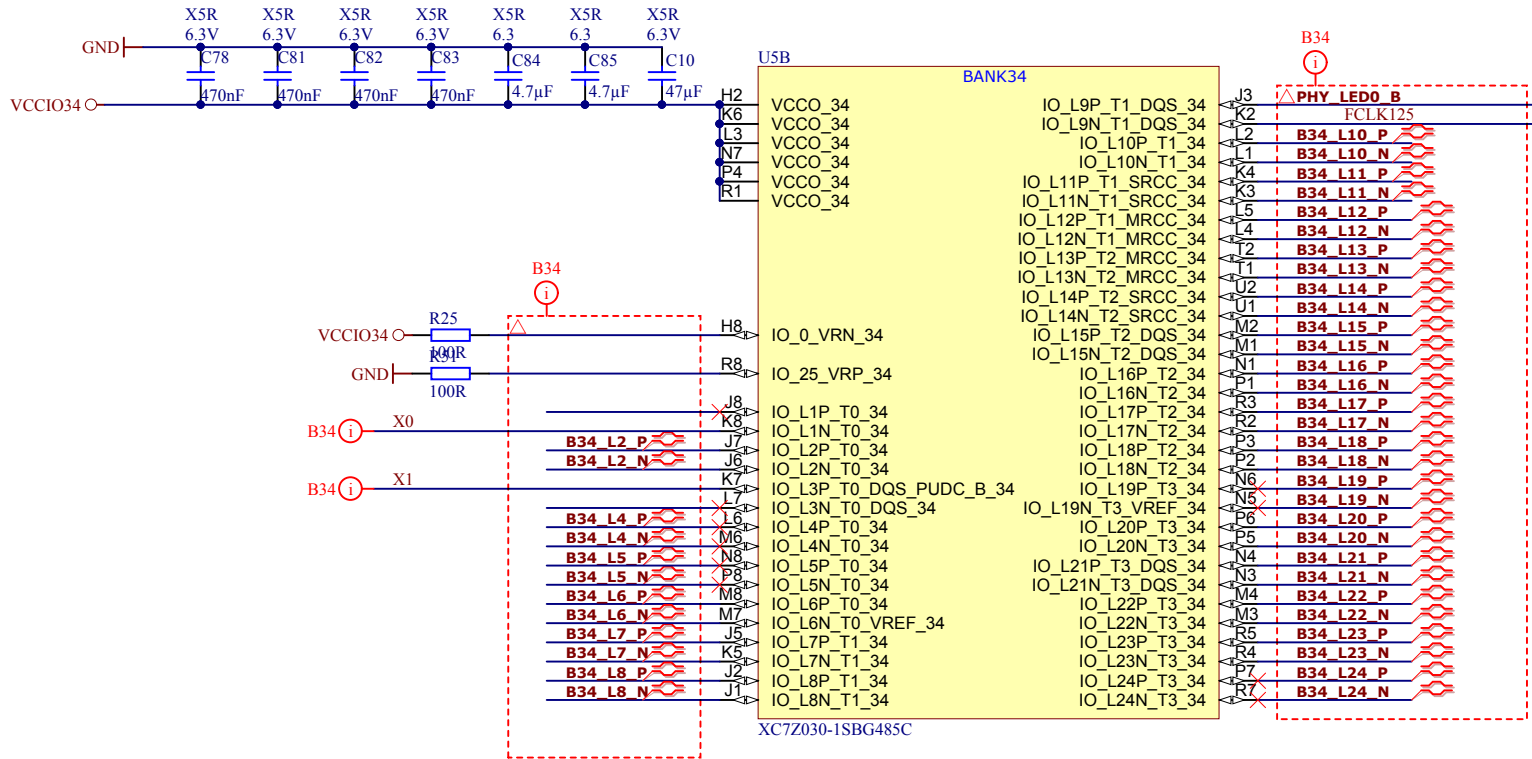
Title: Overview		
A4	Number: TE0715 TE0715-30-1C	Rev. 02
Date: 2015-01-23	Copyright: Trenz Electronic GmbH / TT	Page1 of 14
Filename: TE0715.SchDoc		



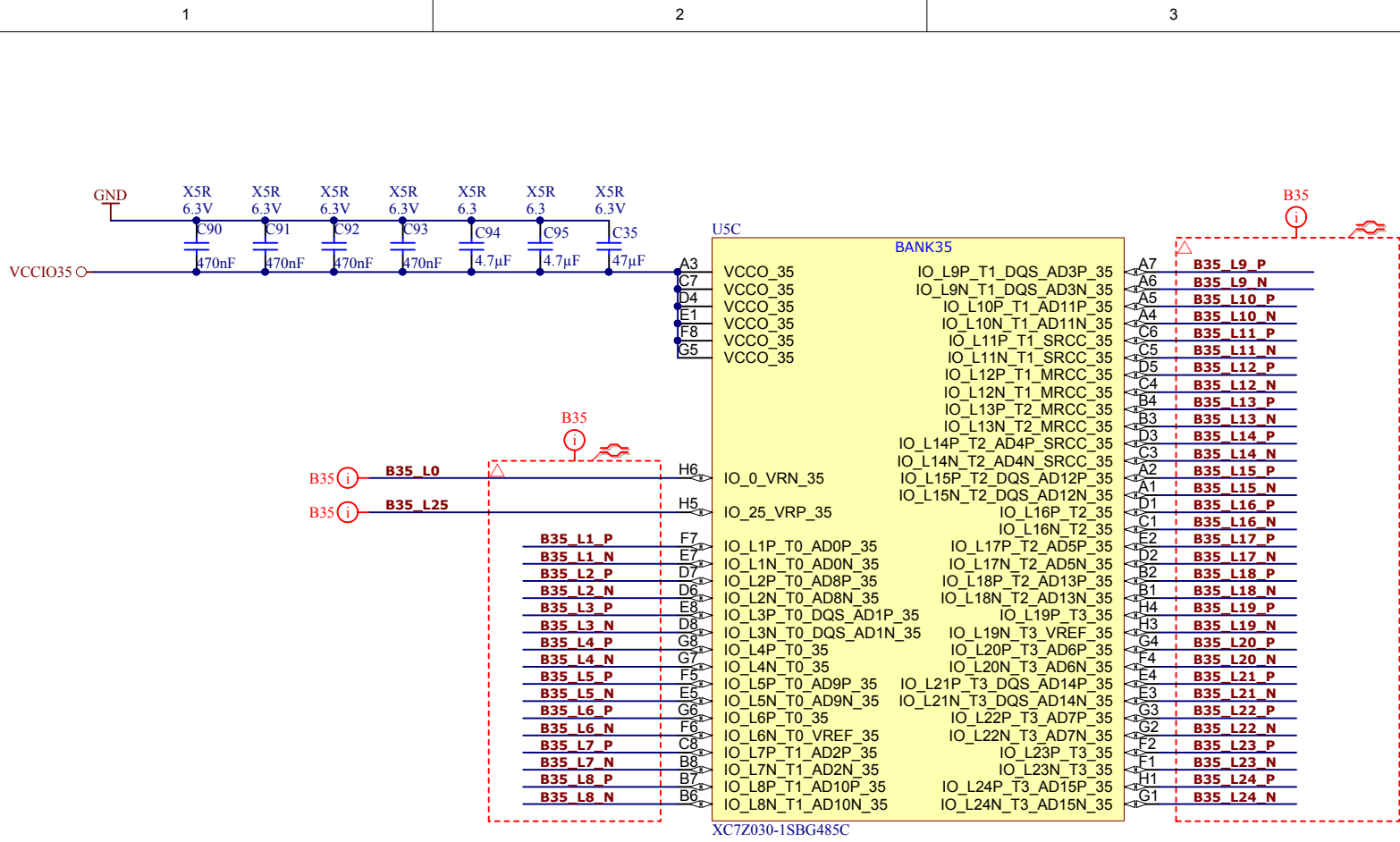
Title: Config-MISC		
A4	Number: TE0715 TE0715-30-1C	Rev. 02
Date: 2015-01-23	Copyright: Trenz Electronic GmbH / TT	Page2 of 14
Filename: FPGA-MISC.SchDoc		



Title: B12		
A4	Number: TE0715 TE0715-30-1C	Rev. 02
Date: 2015-01-23	Copyright: Trenz Electronic GmbH / TT	Page 3 of 14
Filename: B13.SchDoc		



Title: B34		
A4	Number: TE0715 TE0715-30-1C	Rev. 02
Date: 2015-01-23	Copyright: Trenz Electronic GmbH / TT	Page 4 of 14
Filename: B34.SchDoc		



Title: B35		
A4	Number: TE0715 TE0715-30-1C	Rev. 02
Date: 2015-01-23	Copyright: Trenz Electronic GmbH / TT	Page5 of 14
Filename: B35.SchDoc		

1

2

3

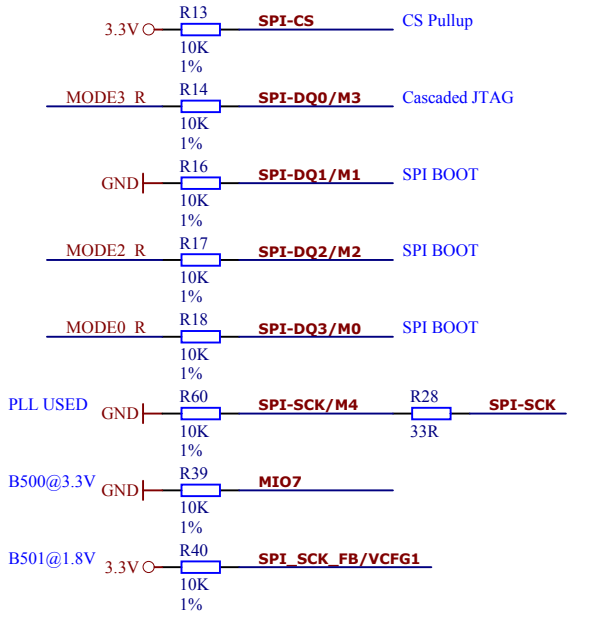
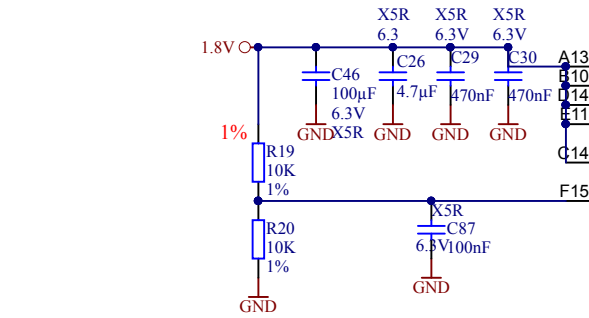
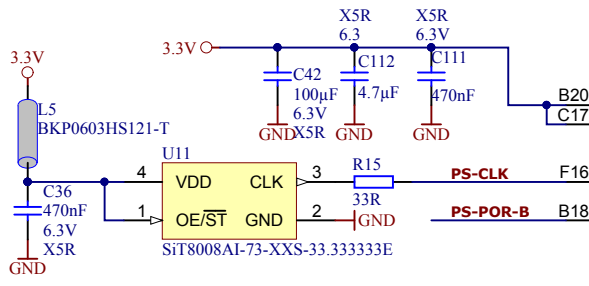
4

1

2

3

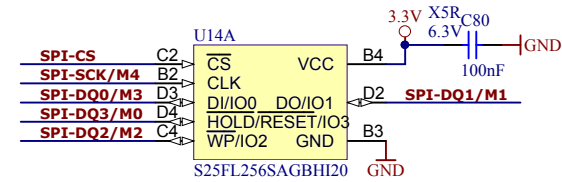
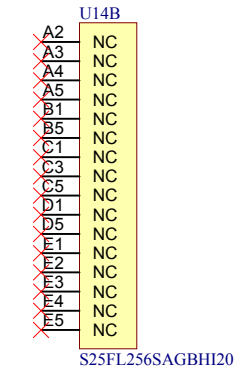
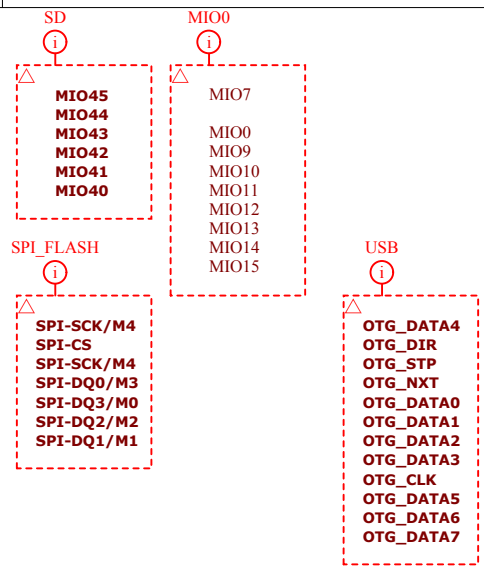
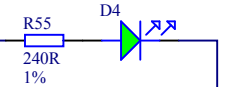
4



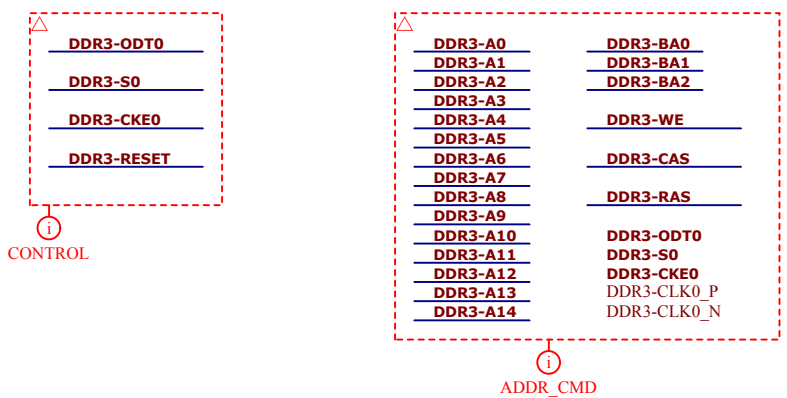
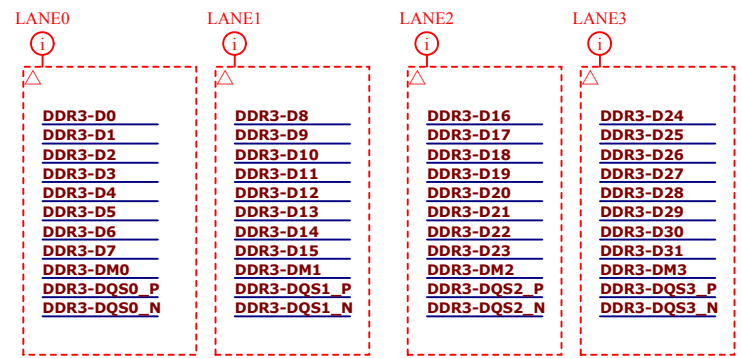
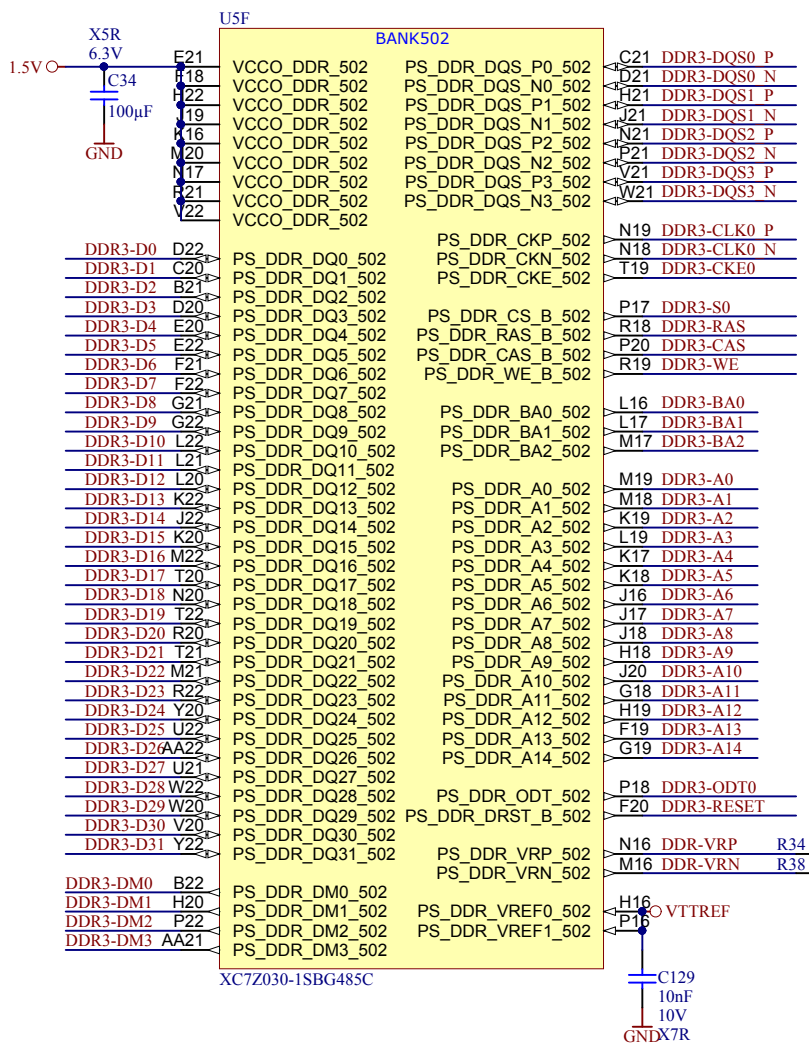
XC7Z030-1SBG485C

BANK500 & 501		Strapping for MIO supply	
VCCO_MIO0_500	PS_MIO0_500	G17	MIO0
VCCO_MIO0_500	PS_MIO1_500	A22	SPI-CS
PS_MIO2_500	PS_MIO2_500	A21	SPI-DQ0/M3
PS_MIO3_500	PS_MIO3_500	F17	SPI-DQ1/M1
PS_MIO4_500	PS_MIO4_500	E19	SPI-DQ2/M2
PS_MIO5_500	PS_MIO5_500	A20	SPI-DQ3/M0
PS_MIO6_500	PS_MIO6_500	A19	SPI-SCK
PS_MIO7_500	PS_MIO7_500	D18	MIO7
PS_MIO8_500	PS_MIO8_500	E18	SPI_SCK_FB/VCFG1
PS_MIO9_500	PS_MIO9_500	C19	MIO9
PS_MIO10_500	PS_MIO10_500	G16	MIO10
PS_MIO11_500	PS_MIO11_500	B19	MIO11
PS_MIO12_500	PS_MIO12_500	C18	MIO12
PS_MIO13_500	PS_MIO13_500	A17	MIO13
PS_MIO14_500	PS_MIO14_500	B17	MIO14
PS_MIO15_500	PS_MIO15_500	E17	MIO15
VCCO_MIO1_501	PS_MIO16_501	D17	ETH_TXCK
VCCO_MIO1_501	PS_MIO17_501	E14	ETH_TXD0
VCCO_MIO1_501	PS_MIO18_501	A16	ETH_TXD1
VCCO_MIO1_501	PS_MIO19_501	E13	ETH_TXD2
PS_MIO20_501	PS_MIO20_501	A15	ETH_TXD3
PS_MIO21_501	PS_MIO21_501	F12	ETH_TXCTL
PS_MIO22_501	PS_MIO22_501	A9	ETH_RXCK
PS_MIO23_501	PS_MIO23_501	E12	ETH_RXD0
PS_MIO24_501	PS_MIO24_501	B16	ETH_RXD1
PS_MIO25_501	PS_MIO25_501	F11	ETH_RXD2
PS_MIO26_501	PS_MIO26_501	A10	ETH_RXD3
PS_MIO27_501	PS_MIO27_501	D16	ETH_RXCTL
PS_MIO28_501	PS_MIO28_501	A11	OTG_DATA4
PS_MIO29_501	PS_MIO29_501	E15	OTG_DIR
PS_MIO30_501	PS_MIO30_501	A12	OTG_STP
PS_MIO31_501	PS_MIO31_501	F14	OTG_NXT
PS_MIO32_501	PS_MIO32_501	C16	OTG_DATA0
PS_MIO33_501	PS_MIO33_501	G11	OTG_DATA1
PS_MIO34_501	PS_MIO34_501	B11	OTG_DATA2
PS_MIO35_501	PS_MIO35_501	F9	OTG_DATA3
PS_MIO36_501	PS_MIO36_501	A14	OTG_CLK
PS_MIO37_501	PS_MIO37_501	B9	OTG_DATA5
PS_MIO38_501	PS_MIO38_501	F10	OTG_DATA6
PS_MIO39_501	PS_MIO39_501	C10	OTG_DATA7
PS_MIO40_501	PS_MIO40_501	E9	MIO40
PS_MIO41_501	PS_MIO41_501	C15	MIO41
PS_MIO42_501	PS_MIO42_501	D15	MIO42
PS_MIO43_501	PS_MIO43_501	B12	MIO43
PS_MIO44_501	PS_MIO44_501	E10	MIO44
PS_MIO45_501	PS_MIO45_501	B14	MIO45
PS_MIO46_501	PS_MIO46_501	D11	PHY_LED2
PS_MIO47_501	PS_MIO47_501	B13	RTC_INT
PS_MIO48_501	PS_MIO48_501	D12	SCL
PS_MIO49_501	PS_MIO49_501	C9	SDA
PS_MIO50_501	PS_MIO50_501	D10	ETH_RST
PS_MIO51_501	PS_MIO51_501	C13	OTG_RST
PS_MIO52_501	PS_MIO52_501	D13	ETH_MDC
PS_MIO53_501	PS_MIO53_501	C11	ETH_MDIO

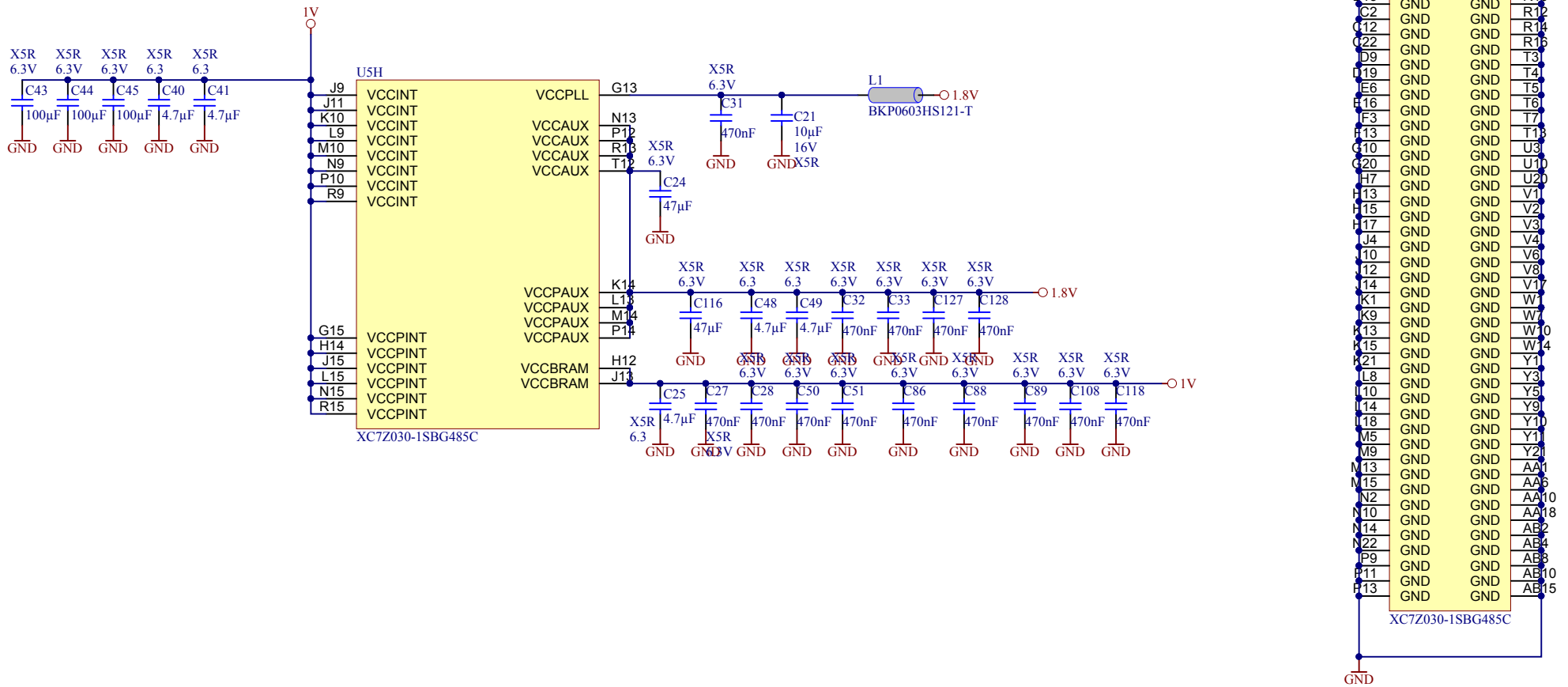
LED Green SML-P11MTT86




Title: MIO		
A4	Number: TE0715 TE0715-30-1C	Rev. 02
Date: 2015-01-23	Copyright: Trenz Electronic GmbH / TT	Page6 of 14
Filename: MIO-BANKS.SchDoc		



Title: DDR		
A4	Number: TE0715 TE0715-30-1C	Rev. 02
Date: 2015-01-23	Copyright: Trenz Electronic GmbH / TT	Page 7 of 14
Filename: DDR-BANK.SchDoc		



		Title: FPGA-Power	
		A4	Number: TE0715 TE0715-30-1C
Date: 2015-01-23		Copyright: Trenz Electronic GmbH / TT	
Filename: FGPA-POWER.SchDoc		Page 8 of 14	

1

2

3

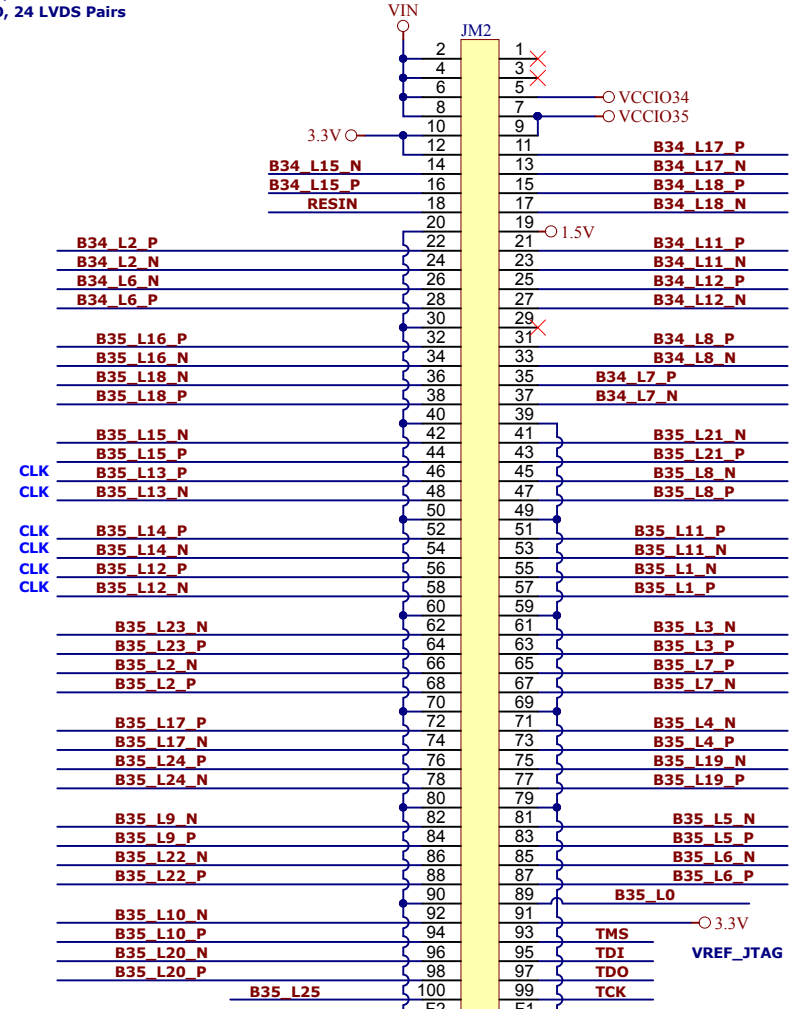
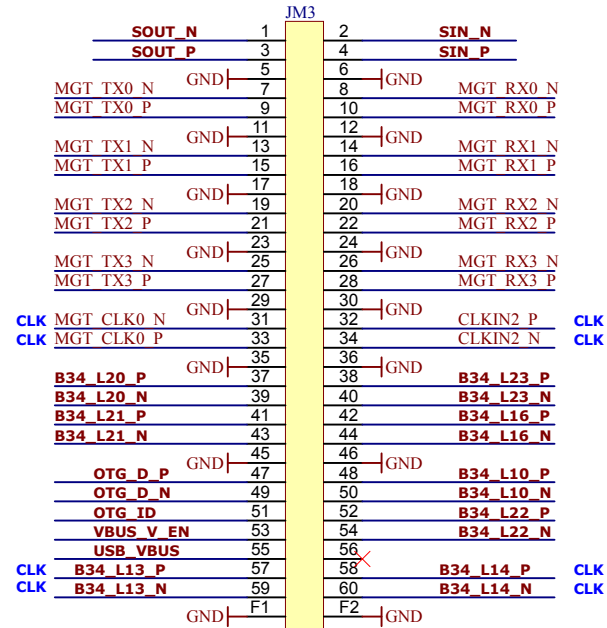
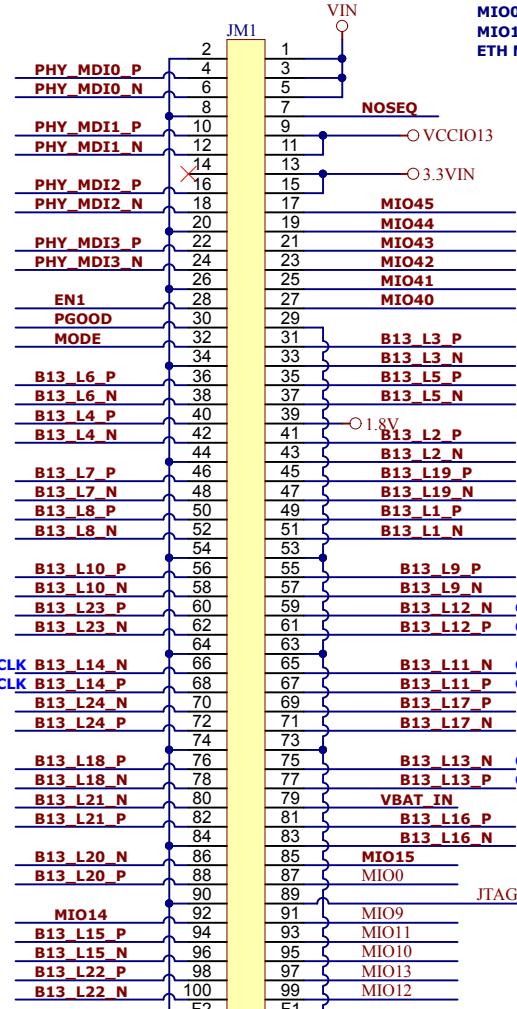
4

NOTE: B34 and B35 are HP Bnks in 7030 Assembly with max 1.8V I/O Voltage

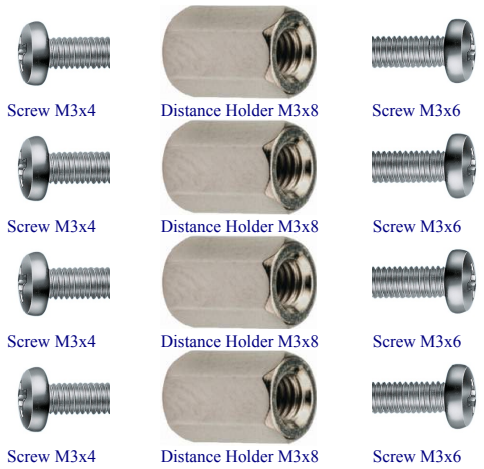
B13 48 IO, 24 LVDS Pairs
 MIO0 8 IO, 3.3V
 MIO1 6 IO 1.8V
 ETH MDI Copper

B34 16 IO, 8 LVDS Pairs
 USB OTG ETH SGMII
 PLL CLK IN
 GT CLK IN
 GTP/GTX 4 Lanes

B34 18 IO, 9 LVDS Pairs
 B35 48 IO, 24 LVDS Pairs
 B35 2 IO



Top of Board



Title: B2B		
A4	Number: TE0715 TE0715-30-1C	Rev. 02
Date: 2015-01-23	Copyright: Trenz Electronic GmbH / TT	Page9 of 14
Filename: B2B_Connector.SchDoc		

1

2

3

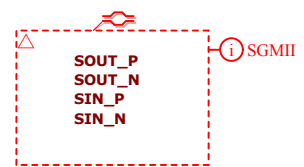
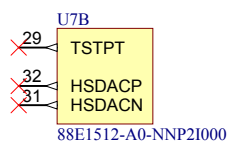
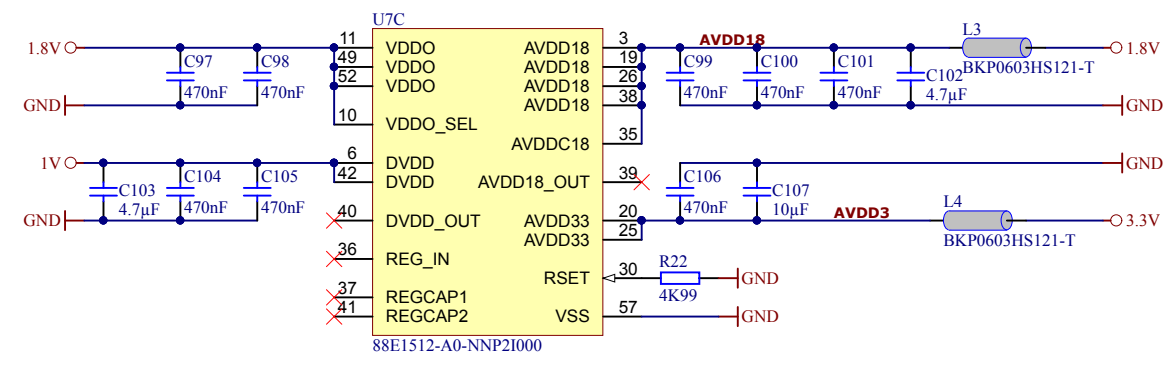
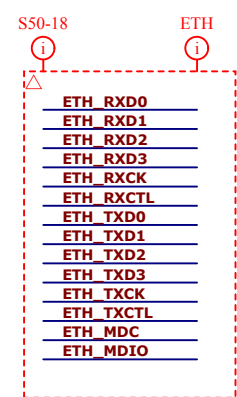
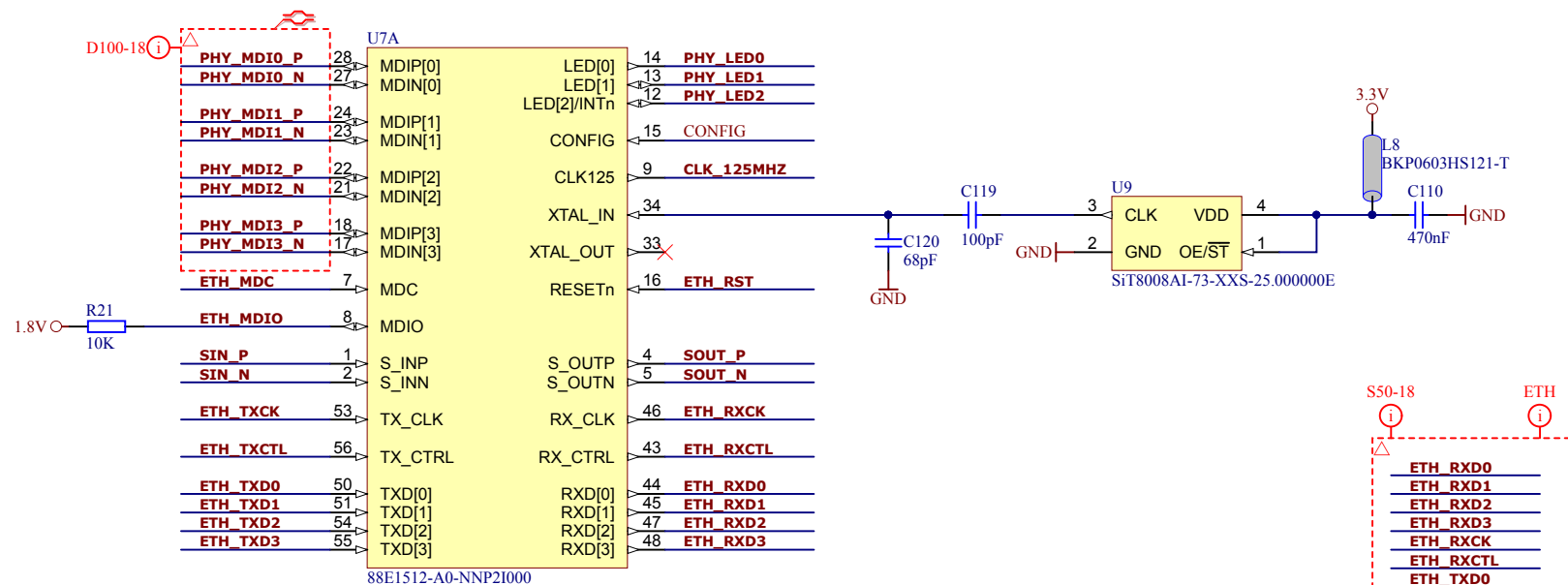
4


A

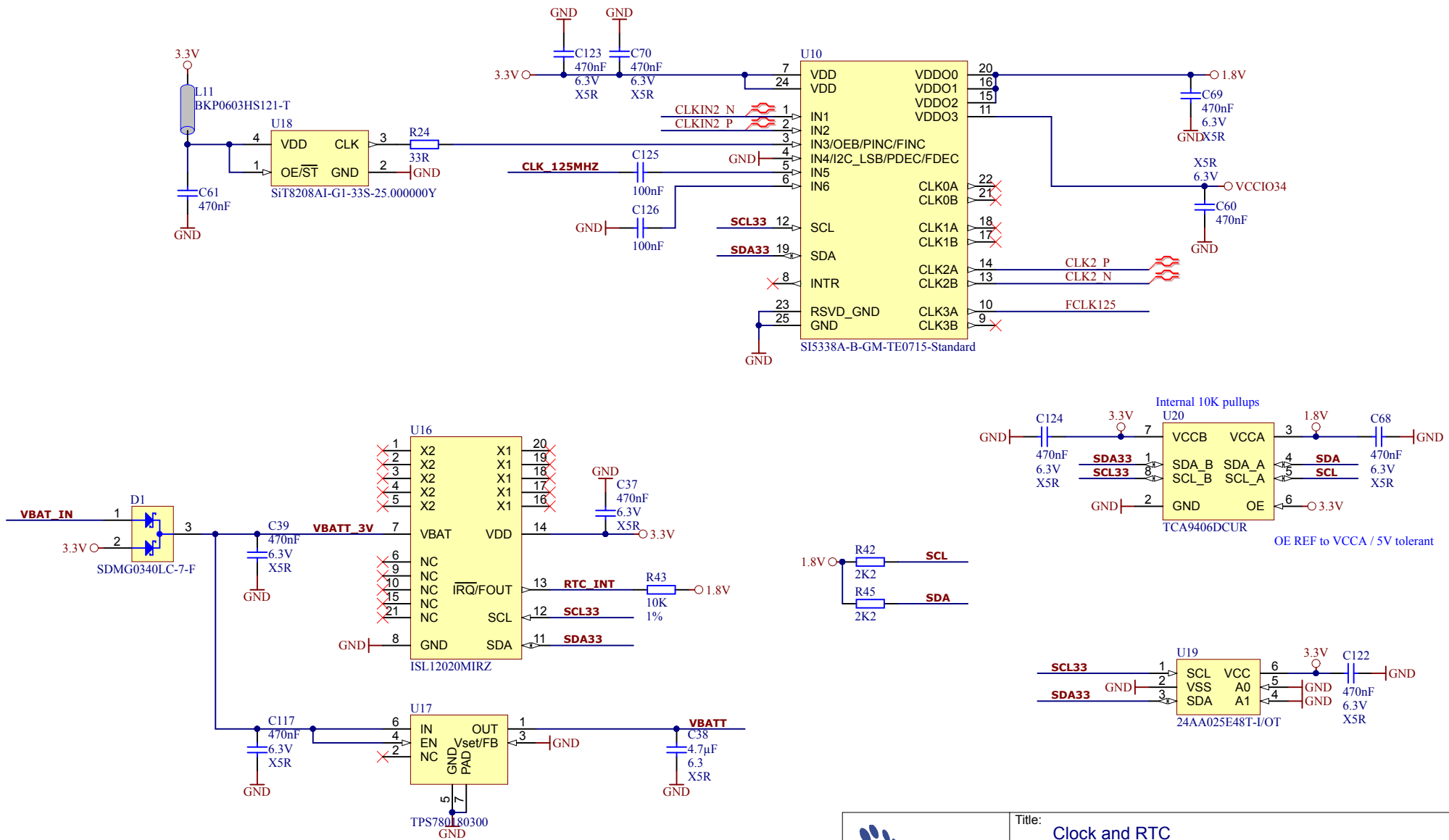
B

C

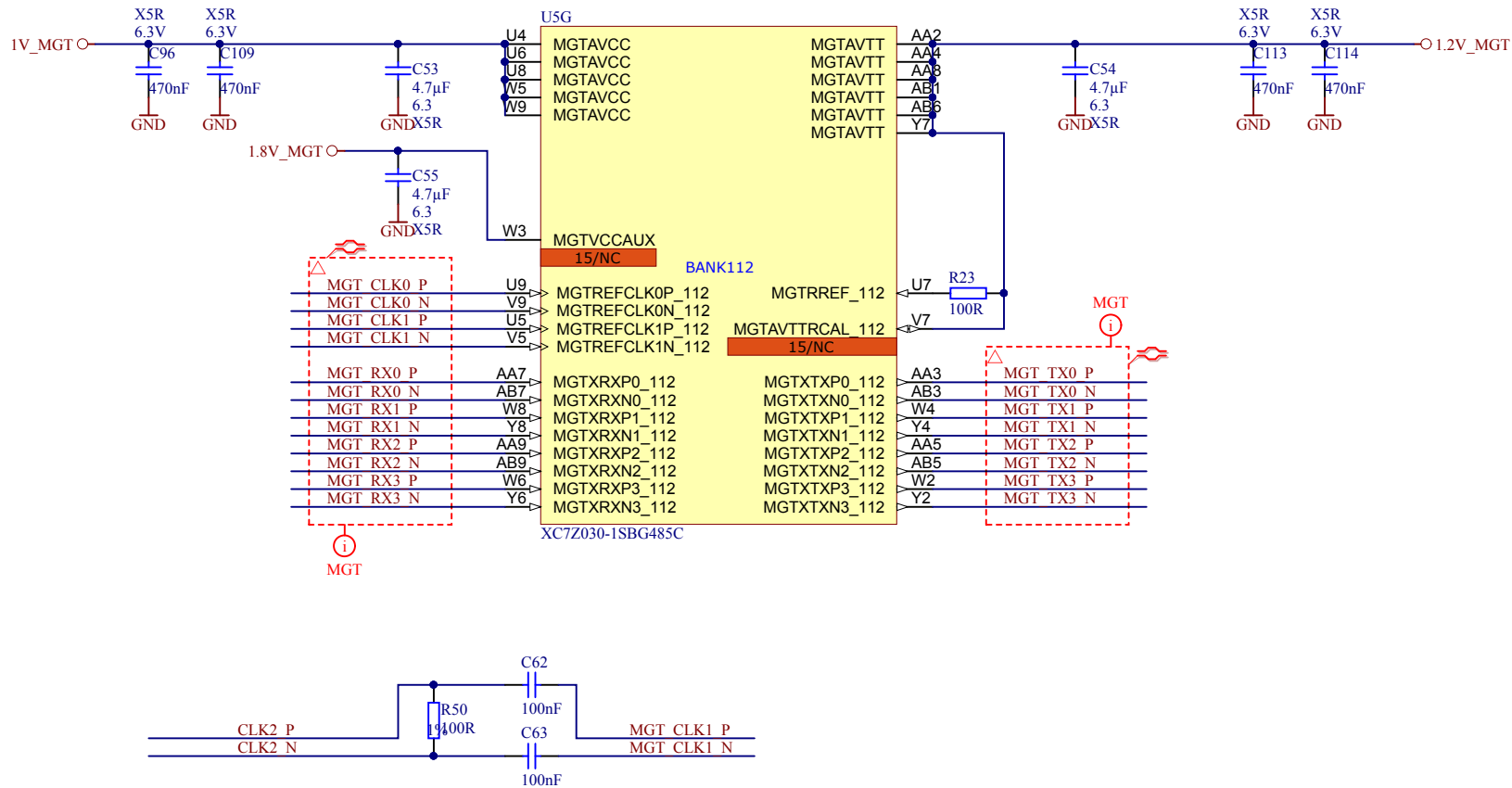
D



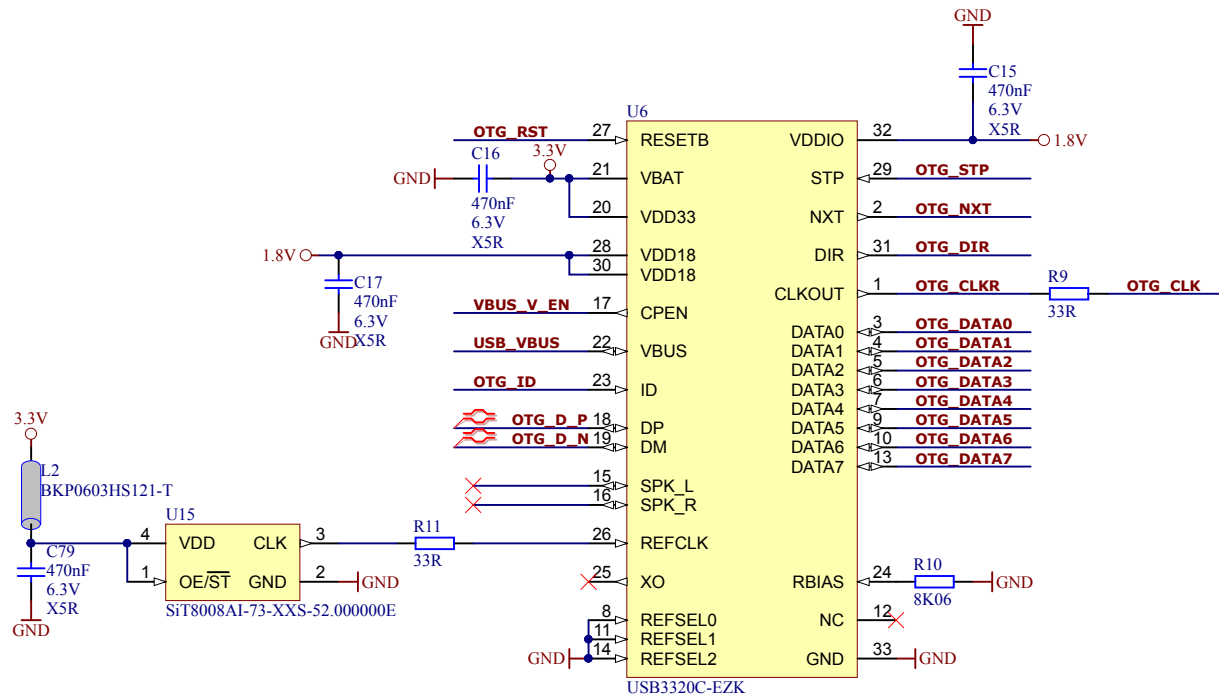
			Title: Ethernet	
			A4	Number: TE0715 TE0715-30-1C
Date: 2015-01-23		Copyright: 2013 Trenz Electronic GmbH		Page 10 of 14
Filename: ETH-PHY.SchDoc				




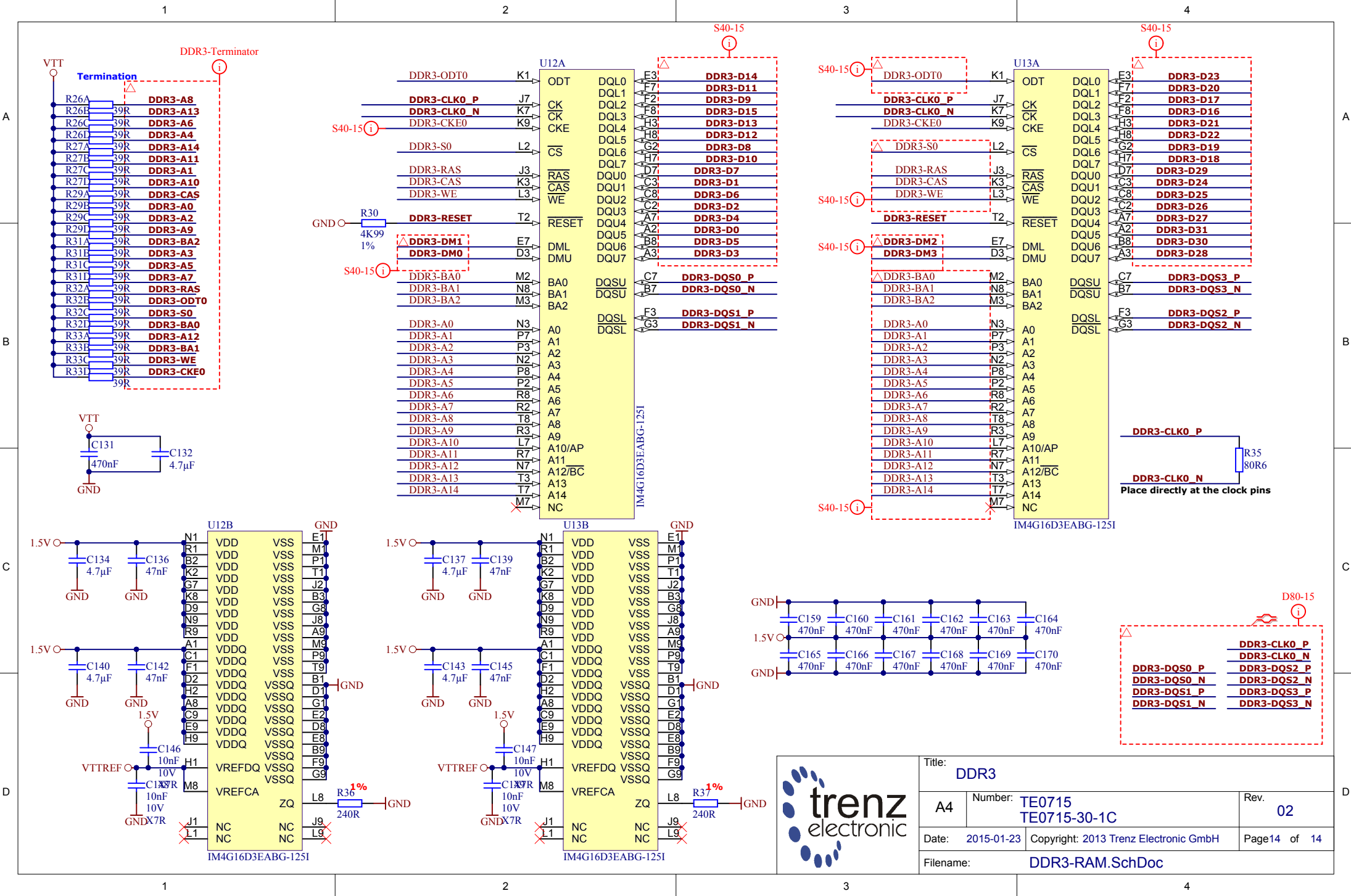
Title: Clock and RTC		
A4	Number: TE0715 TE0715-30-1C	Rev. 02
Date: 2015-01-23	Copyright: Trenz Electronic GmbH	Page 11 of 14
Filename: Clock.SchDoc		



Title: MGT		
A4	Number: TE0715 TE0715-30-1C	Rev. 02
Date: 2015-01-23	Copyright: Trenz Electronic GmbH / TT	Page 12 of 14
Filename: MGT.SchDoc		



		Title: USB	
		A4	Number: TE0715 TE0715-30-1C
Date: 2015-01-23		Copyright: 2013 Trenz Electronic GmbH	
Page 13 of 14		Filename: USB-PHY.SchDoc	



Title: DDR3		
A4	Number: TE0715 TE0715-30-1C	Rev. 02
Date: 2015-01-23	Copyright: 2013 Trenz Electronic GmbH	Page 14 of 14
Filename: DDR3-RAM.SchDoc		