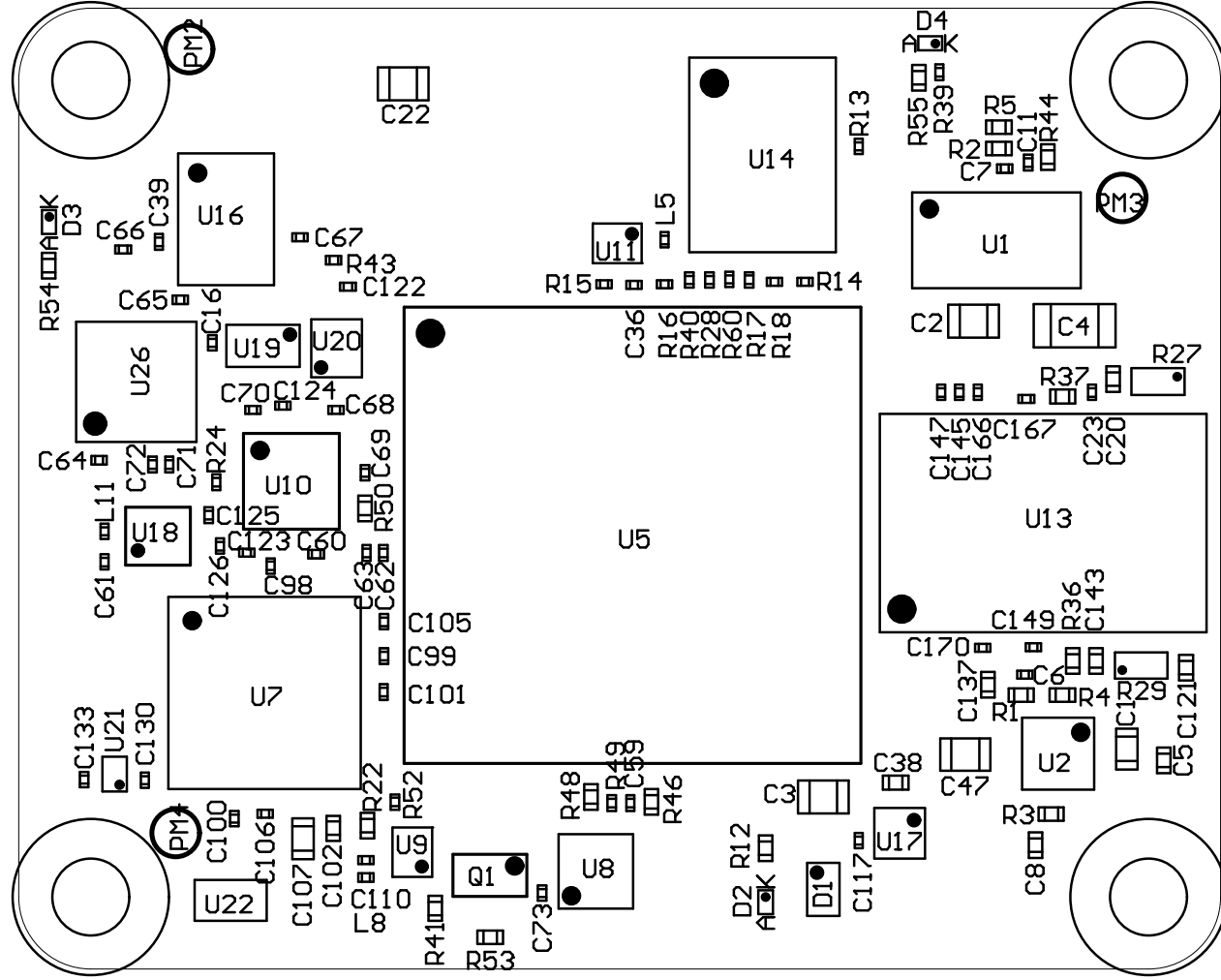


# Top View





# Top View

