

1

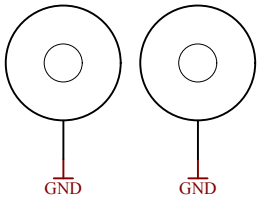
2

3

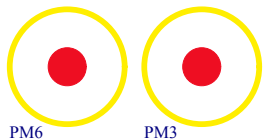
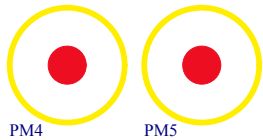
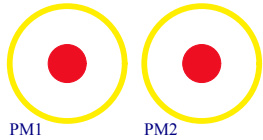
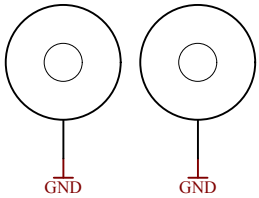
4

FPGA-MISC	FPGA-POWER
<b>FPGA-MISC.SchDoc</b>	<b>FPGA-POWER.SchDoc</b>
B13	DDR3-RAM
<b>B13.SchDoc</b>	<b>DDR3-RAM.SchDoc</b>
B34	B2B Connector
<b>B34.SchDoc</b>	<b>B2B_Connector.SchDoc</b>
B35	Clock
<b>B35.SchDoc</b>	<b>Clock.SchDoc</b>
MIO-BANKS	ETH-PHY
<b>MIO-BANKS.SchDoc</b>	<b>ETH-PHY.SchDoc</b>
MGT	USB-PHY
<b>MGT.SchDoc</b>	<b>USB-PHY.SchDoc</b>
DDR-BANK	POWER
<b>DDR-BANK.SchDoc</b>	<b>POWER.SchDoc</b>

Mount.Hole 3.2mmMount.Hole 3.2mm



Mount.Hole 3.2mmMount.Hole 3.2mm




1

2

3

4

	Title: <b>Overview</b>		
	A4	Number: <b>TE0715 TE0715-15-1C</b>	Rev. <b>03</b>
	Date: <b>2015-07-14</b>	Copyright: <b>Trenz Electronic GmbH / TT</b>	Page <b>1</b> of <b>15</b>
	Filename: <b>TE0715.SchDoc</b>		

A

A

B

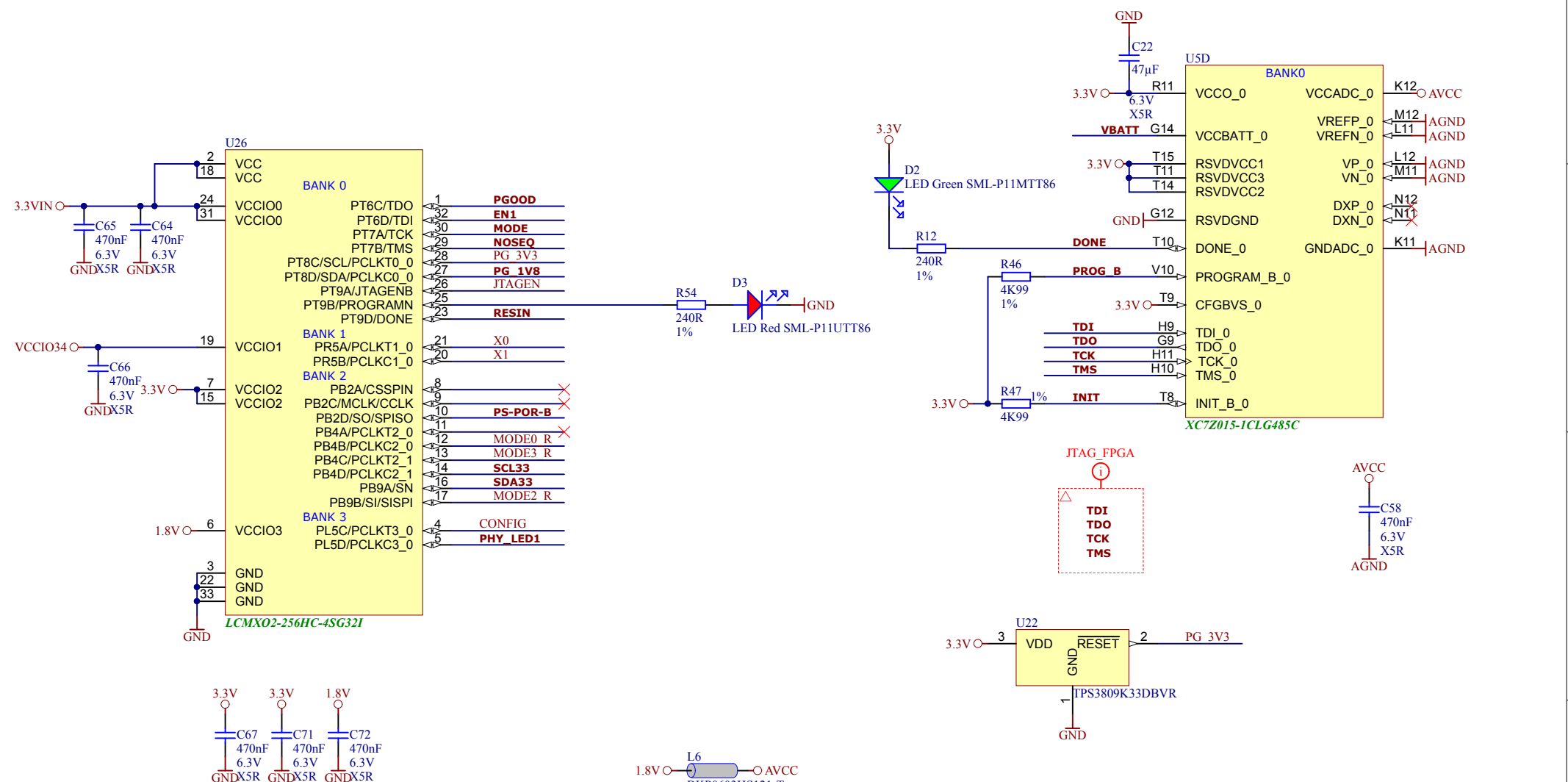
B


C

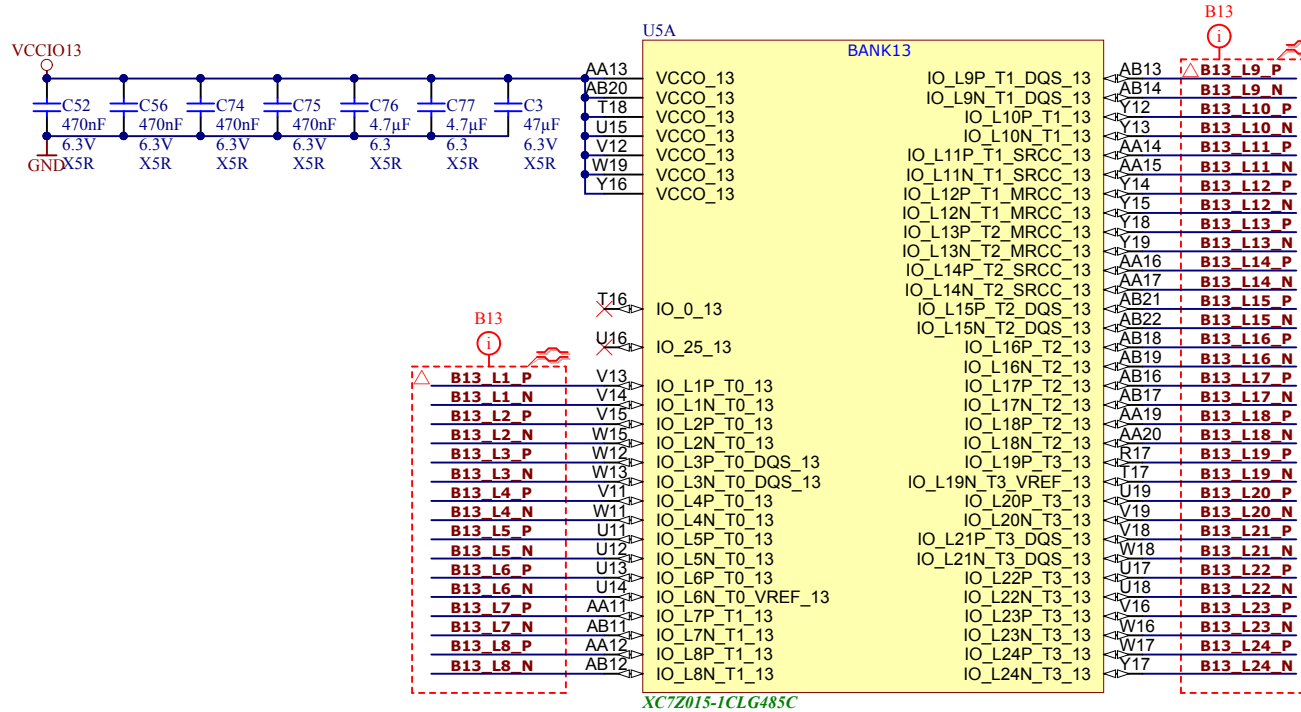
C

D

D



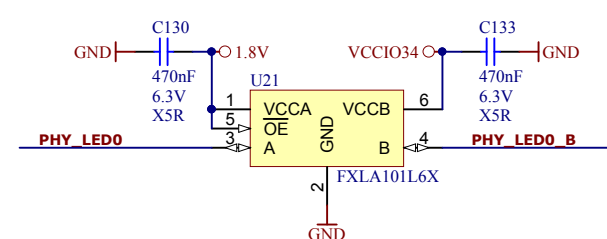
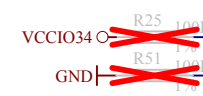
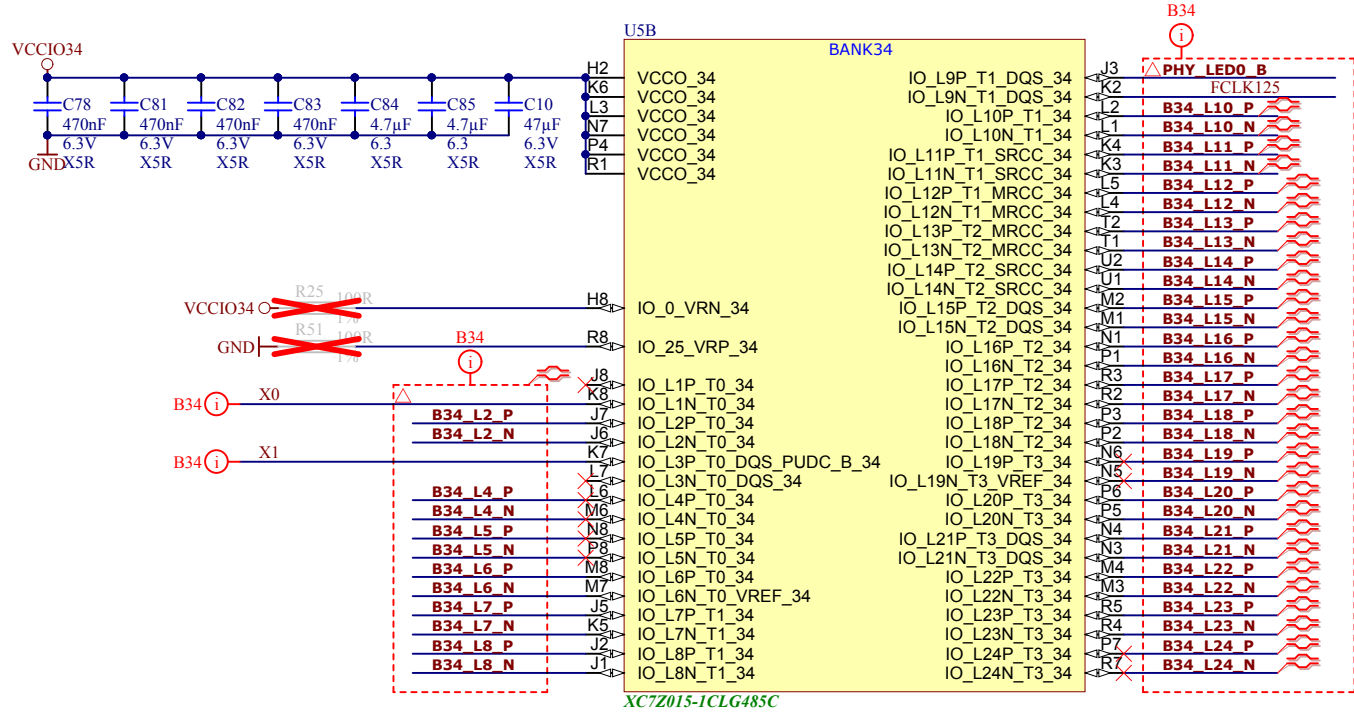
			Title: <b>Config-MISC</b>	
			A4	Number: <b>TE0715</b> <b>TE0715-15-1C</b>
Date: 2015-07-14		Copyright: Trenz Electronic GmbH / TT		Page2 of 15
Filename: <b>FPGA-MISC.SchDoc</b>				



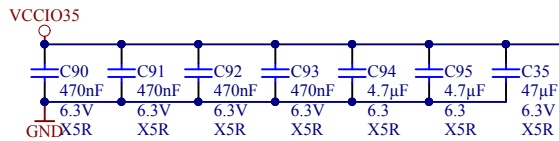
XC7Z015-1CLG485C



Title: <b>B12</b>		
A4	Number: <b>TE0715 TE0715-15-1C</b>	Rev. <b>03</b>
Date: <b>2015-07-14</b>	Copyright: <b>Trenz Electronic GmbH / TT</b>	Page <b>3</b> of <b>15</b>
Filename: <b>B13.SchDoc</b>		



Title: B34		
A4	Number: TE0715 TE0715-15-1C	Rev. 03
Date: 2015-07-14	Copyright: Trenz Electronic GmbH / TT	Page4 of 15
Filename: B34.SchDoc		



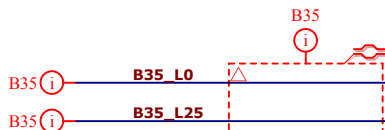
USC

BANK35

A3	VCCO_35	IO_L9P_T1_DQS_AD3P_35	A7	B35 L9 P
C7	VCCO_35	IO_L9N_T1_DQS_AD3N_35	A6	B35 L9 N
D4	VCCO_35	IO_L10P_T1_AD11P_35	A5	B35 L10 P
E1	VCCO_35	IO_L10N_T1_AD11N_35	A4	B35 L10 N
F8	VCCO_35	IO_L11P_T1_SRCC_35	C6	B35 L11 P
G5	VCCO_35	IO_L11N_T1_SRCC_35	C5	B35 L11 N
		IO_L12P_T1_MRCC_35	D5	B35 L12 P
		IO_L12N_T1_MRCC_35	C4	B35 L12 N
		IO_L13P_T2_MRCC_35	B4	B35 L13 P
		IO_L13N_T2_MRCC_35	B3	B35 L13 N
		IO_L14P_T2_AD4P_SRCC_35	D3	B35 L14 P
		IO_L14N_T2_AD4N_SRCC_35	C3	B35 L14 N
H6	IO_0_VRN_35	IO_L15P_T2_DQS_AD12P_35	A2	B35 L15 P
H5	IO_25_VRP_35	IO_L15N_T2_DQS_AD12N_35	A1	B35 L15 N
F7	IO_L1P_T0_AD0P_35	IO_L16P_T2_35	D1	B35 L16 P
E7	IO_L1N_T0_AD0N_35	IO_L16N_T2_35	C1	B35 L16 N
D7	IO_L2P_T0_AD8P_35	IO_L17P_T2_AD5P_35	E2	B35 L17 P
D6	IO_L2N_T0_AD8N_35	IO_L17N_T2_AD5N_35	D2	B35 L17 N
E8	IO_L3P_T0_DQS_AD1P_35	IO_L18P_T2_AD13P_35	B2	B35 L18 P
D8	IO_L3N_T0_DQS_AD1N_35	IO_L18N_T2_AD13N_35	B1	B35 L18 N
G8	IO_L4P_T0_35	IO_L19P_T3_35	H4	B35 L19 P
G7	IO_L4N_T0_35	IO_L19N_T3_VREF_35	H3	B35 L19 N
F5	IO_L5P_T0_AD9P_35	IO_L20P_T3_AD6P_35	G4	B35 L20 P
E5	IO_L5N_T0_AD9N_35	IO_L20N_T3_AD6N_35	F4	B35 L20 N
G6	IO_L6P_T0_35	IO_L21P_T3_DQS_AD14P_35	E4	B35 L21 P
F6	IO_L6N_T0_VREF_35	IO_L21N_T3_DQS_AD14N_35	E3	B35 L21 N
C8	IO_L7P_T1_AD2P_35	IO_L22P_T3_AD7P_35	G3	B35 L22 P
B8	IO_L7N_T1_AD2N_35	IO_L22N_T3_AD7N_35	G2	B35 L22 N
B7	IO_L8P_T1_AD10P_35	IO_L23P_T3_35	F2	B35 L23 P
B6	IO_L8N_T1_AD10N_35	IO_L23N_T3_35	F1	B35 L23 N
		IO_L24P_T3_AD15P_35	H1	B35 L24 P
		IO_L24N_T3_AD15N_35	G1	B35 L24 N

XC7Z015-1CLG485C

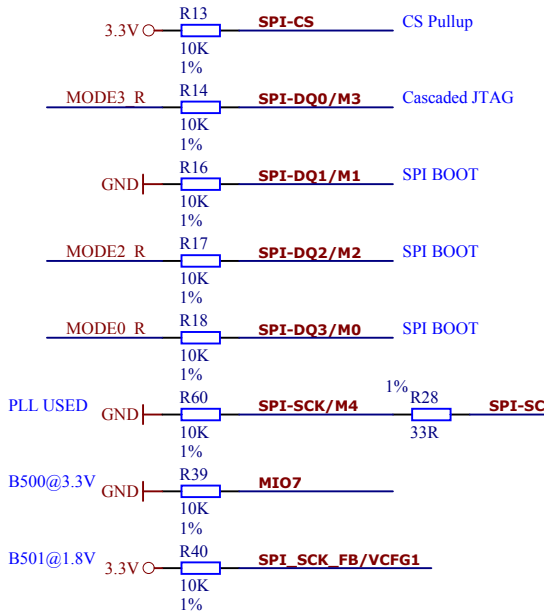
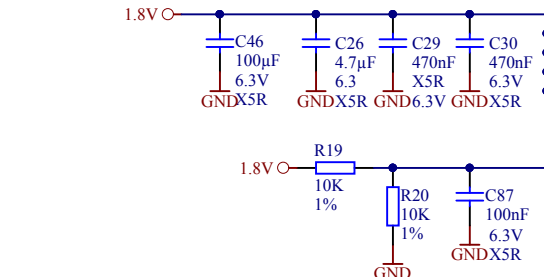
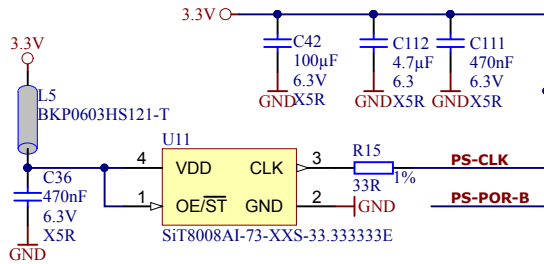
B35



- B35 L1 P
- B35 L1 N
- B35 L2 P
- B35 L2 N
- B35 L3 P
- B35 L3 N
- B35 L4 P
- B35 L4 N
- B35 L5 P
- B35 L5 N
- B35 L6 P
- B35 L6 N
- B35 L7 P
- B35 L7 N
- B35 L8 P
- B35 L8 N



Title: B35		
A4	Number: TE0715 TE0715-15-1C	Rev. 03
Date: 2015-07-14	Copyright: Trenz Electronic GmbH / TT	Page5 of 15
Filename: B35.SchDoc		



USE

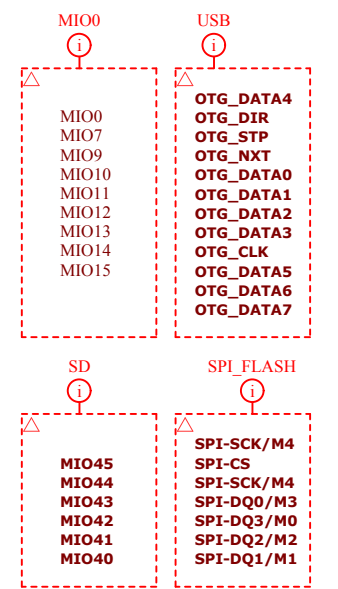
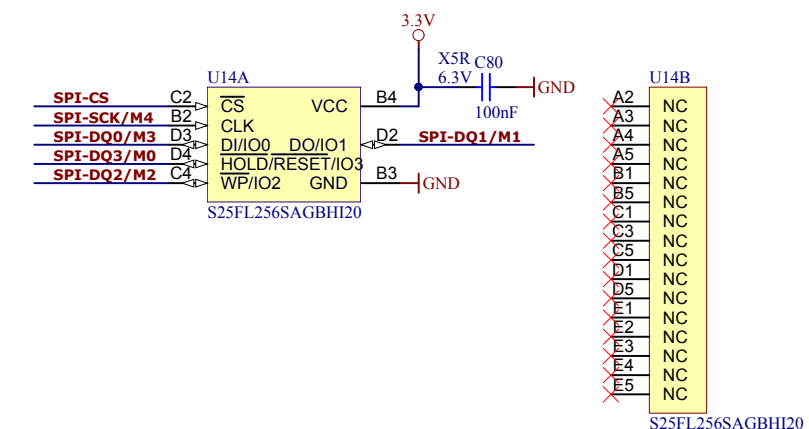
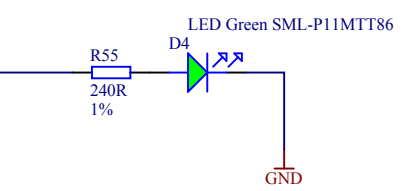
**BANK500 & 501**

VCCO_MIO0_500	PS_MIO0_500
VCCO_MIO0_500	PS_MIO1_500
	PS_MIO2_500
	PS_MIO3_500
	PS_MIO4_500
	PS_MIO5_500
	PS_MIO6_500
	PS_MIO7_500
	PS_MIO8_500
	PS_MIO9_500
	PS_MIO10_500
	PS_MIO11_500
	PS_MIO12_500
	PS_MIO13_500
	PS_MIO14_500
	PS_MIO15_500
VCCO_MIO1_501	PS_MIO16_501
VCCO_MIO1_501	PS_MIO17_501
VCCO_MIO1_501	PS_MIO18_501
VCCO_MIO1_501	PS_MIO19_501
	PS_MIO20_501
PS_SRST_B_501	PS_MIO21_501
	PS_MIO22_501
PS_MIO_VREF_501	PS_MIO23_501
	PS_MIO24_501
	PS_MIO25_501
	PS_MIO26_501
	PS_MIO27_501
	PS_MIO28_501
	PS_MIO29_501
	PS_MIO30_501
	PS_MIO31_501
	PS_MIO32_501
	PS_MIO33_501
	PS_MIO34_501
	PS_MIO35_501
	PS_MIO36_501
	PS_MIO37_501
	PS_MIO38_501
	PS_MIO39_501
	PS_MIO40_501
	PS_MIO41_501
	PS_MIO42_501
	PS_MIO43_501
	PS_MIO44_501
	PS_MIO45_501
	PS_MIO46_501
	PS_MIO47_501
	PS_MIO48_501
	PS_MIO49_501
	PS_MIO50_501
	PS_MIO51_501
	PS_MIO52_501
	PS_MIO53_501

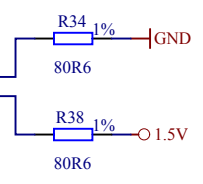
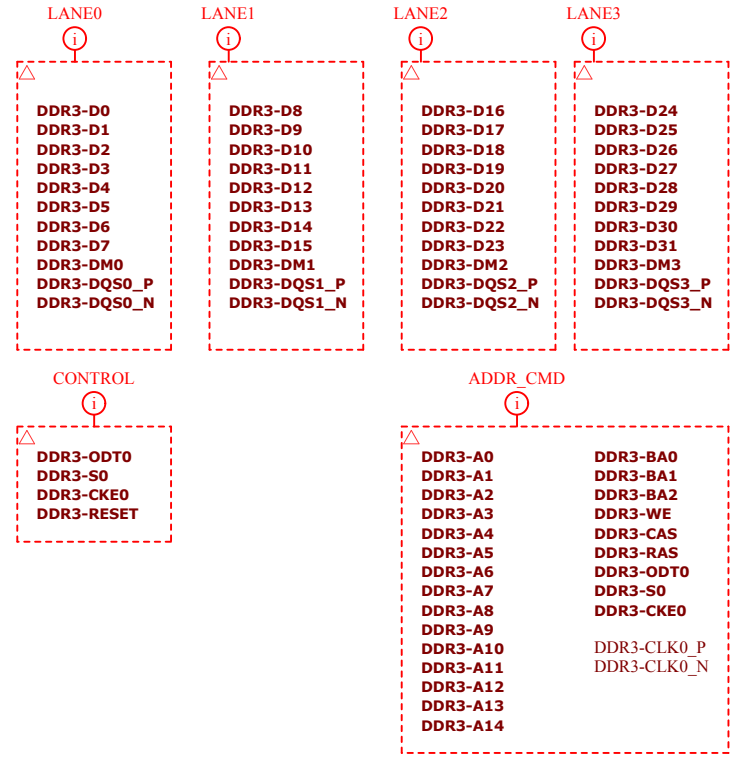
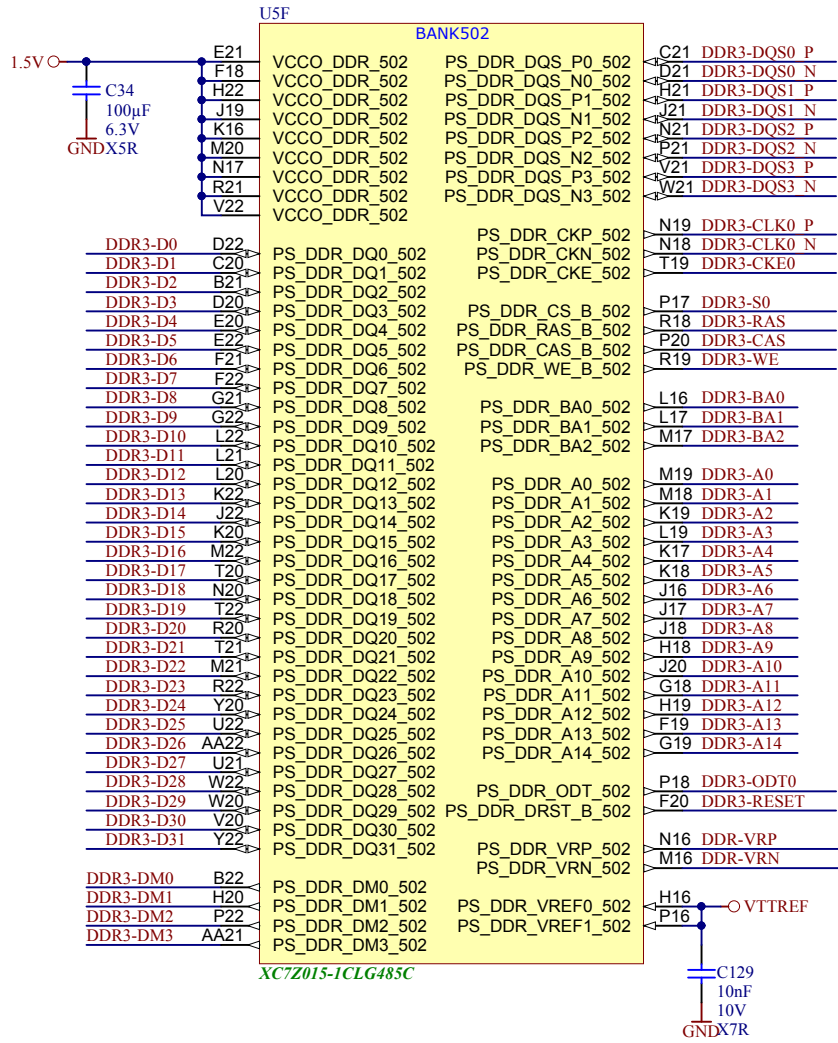
XC7Z015-1CLG485C

Strapping for MIO supply

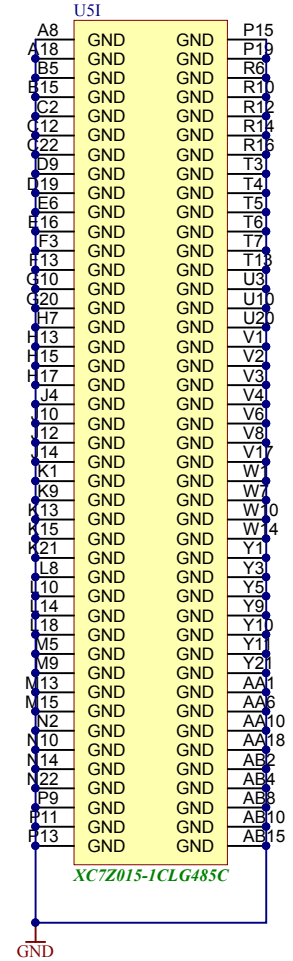
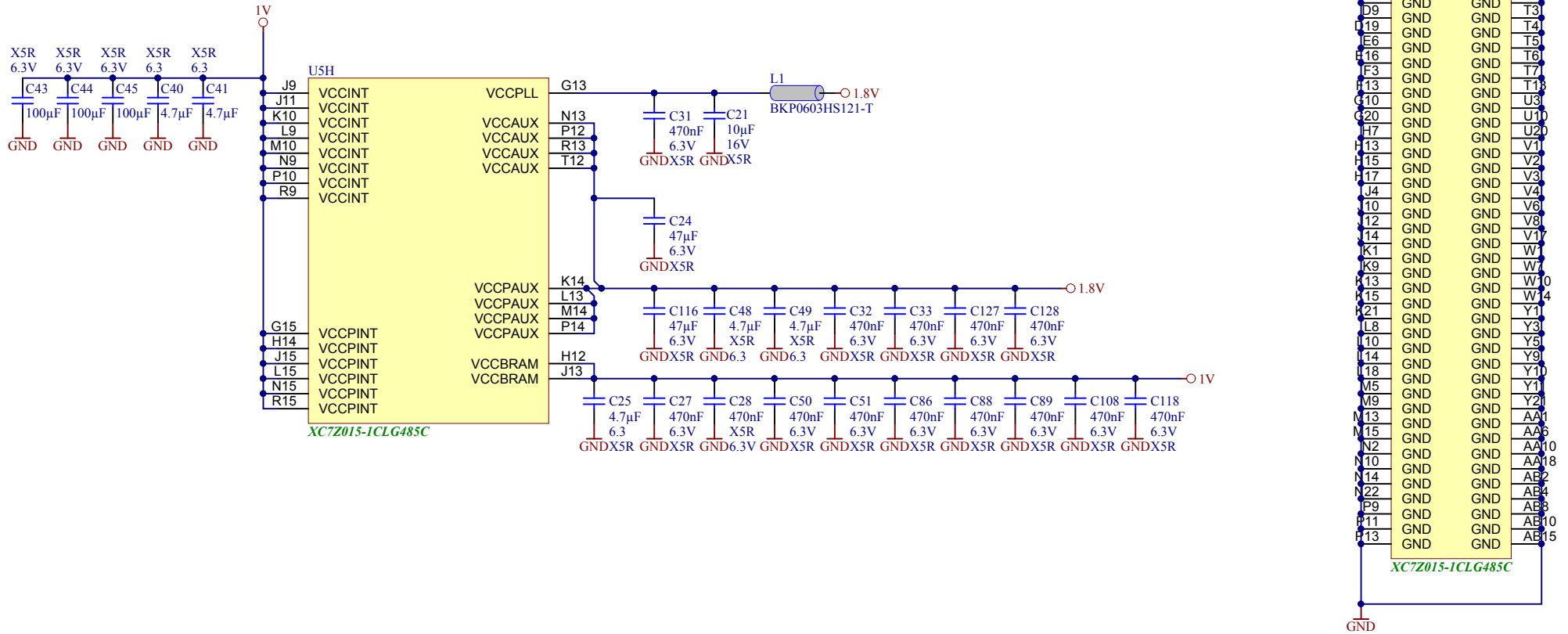
G17	MIO0	B2B CON
A22	SPI-CS	SPI
A21	SPI-DQ0/M3	SPI / BOOT
F17	SPI-DQ1/M1	SPI / BOOT
E19	SPI-DQ2/M2	SPI / BOOT
A20	SPI-DQ3/M0	SPI / BOOT
A19	SPI-SCK	SPI / BOOT
D18	MIO7	BOOT
E18	SPI_SCK_FB/VCFG1	BOOT
C19	MIO9	B2B CON
G16	MIO10	B2B CON
B19	MIO11	B2B CON
C18	MIO12	B2B CON
A17	MIO13	B2B CON
B17	MIO14	B2B CON
E17	MIO15	B2B CON
D17	ETH_TXCK	ETH
E14	ETH_TXD0	ETH
A16	ETH_TXD1	ETH
E13	ETH_TXD2	ETH
A15	ETH_TXD3	ETH
F12	ETH_TXCTL	ETH
A9	ETH_RXCK	ETH
E12	ETH_RXD0	ETH
B16	ETH_RXD1	ETH
F11	ETH_RXD2	ETH
A10	ETH_RXD3	ETH
D16	ETH_RXCTL	ETH
A11	OTG_DATA4	USB
E15	OTG_DIR	USB
A12	OTG_STP	USB
F14	OTG_NXT	USB
C16	OTG_DATA0	USB
G11	OTG_DATA1	USB
B11	OTG_DATA2	USB
F9	OTG_DATA3	USB
A14	OTG_CLK	USB
B9	OTG_DATA5	USB
F10	OTG_DATA6	USB
C10	OTG_DATA7	USB
E9	MIO40	SD
C15	MIO41	SD
D15	MIO42	SD
B12	MIO43	SD
E10	MIO44	SD
B14	MIO45	SD
D11	PHY_LED2	
B13	RTC_INT	
D12	SCL	
C9	SDA	
D10	ETH_RST	
C13	OTG_RST	
D13	ETH_MDC	
C11	ETH_MDIO	



		Title: MIO	
		A4	Number: TE0715 TE0715-15-1C
Date: 2015-07-14		Copyright: Trenz Electronic GmbH / TT	Rev. 03
Filename: MIO-BANKS.SchDoc		Page 6 of 15	



Title: <b>DDR</b>		
A4	Number: <b>TE0715 TE0715-15-1C</b>	Rev. <b>03</b>
Date: <b>2015-07-14</b>	Copyright: <b>Trenz Electronic GmbH / TT</b>	Page <b>7</b> of <b>15</b>
Filename: <b>DDR-BANK.SchDoc</b>		



Title: <b>FPGA-Power</b>		
A4	Number: <b>TE0715 TE0715-15-1C</b>	Rev. <b>03</b>
Date: <b>2015-07-14</b>	Copyright: <b>Trenz Electronic GmbH / TT</b>	Page <b>8</b> of <b>15</b>
Filename: <b>FGPA-POWER.SchDoc</b>		

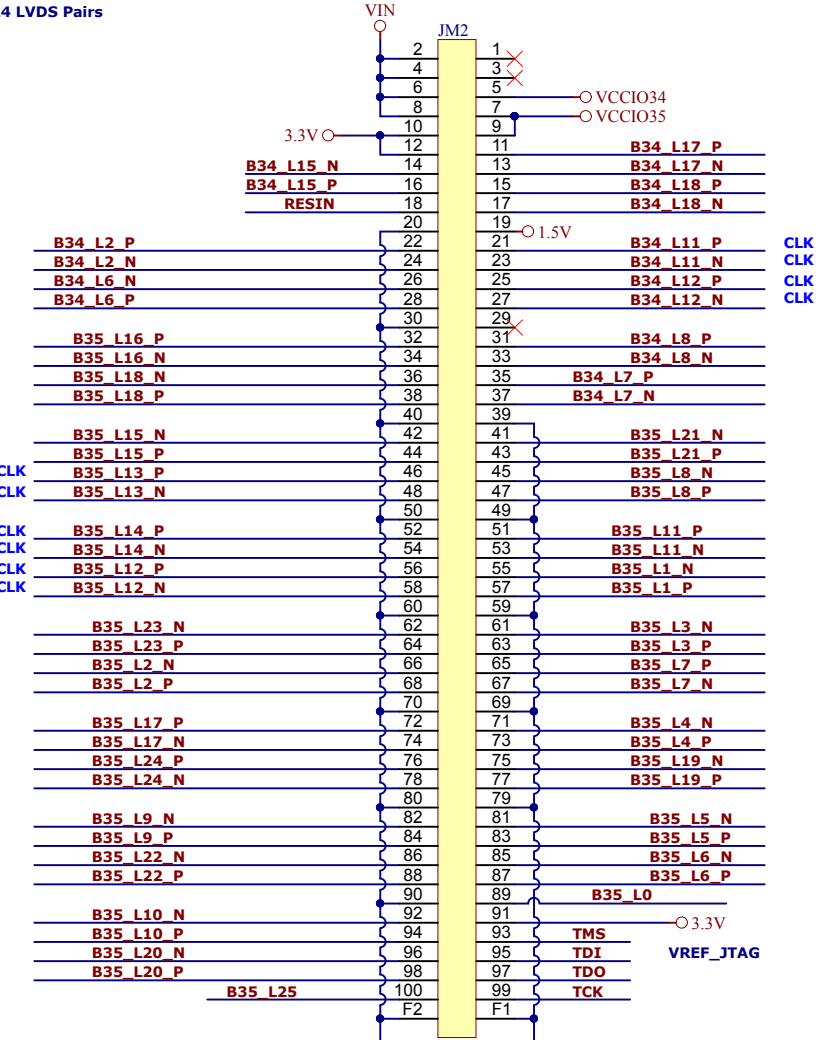
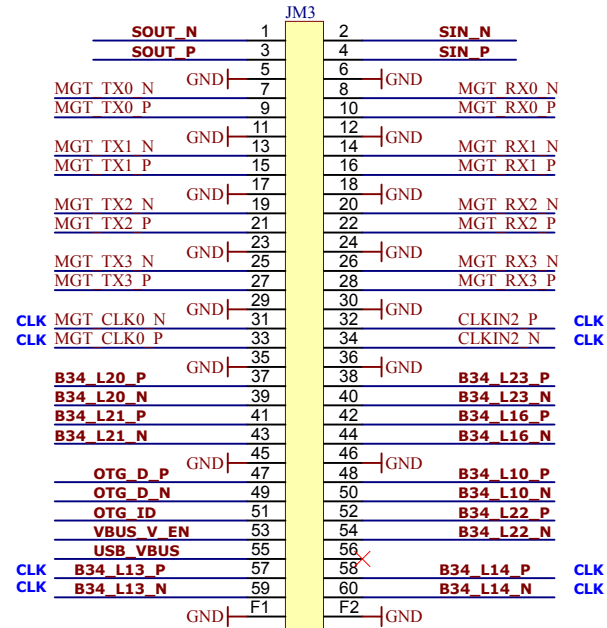
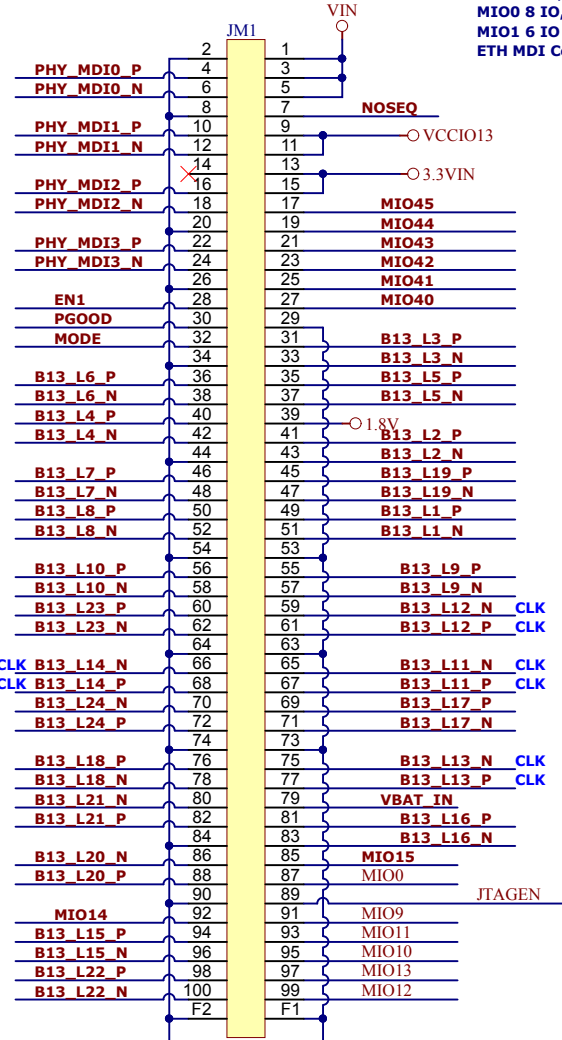


NOTE: B34 and B35 are HP Bnks in 7030 Assembly with max 1.8V I/O Voltage

B13 48 IO, 24 LVDS Pairs  
MIO0 8 IO, 3.3V  
MIO1 6 IO 1.8V  
ETH MDI Copper

B34 16 IO, 8 LVDS Pairs  
USB OTG ETH SGMII  
PLL CLK IN  
GT CLK IN  
GTP/GTX 4 Lanes

B34 18 IO, 9 LVDS Pairs  
B35 48 IO, 24 LVDS Pairs  
B35 2 IO



Top of Board



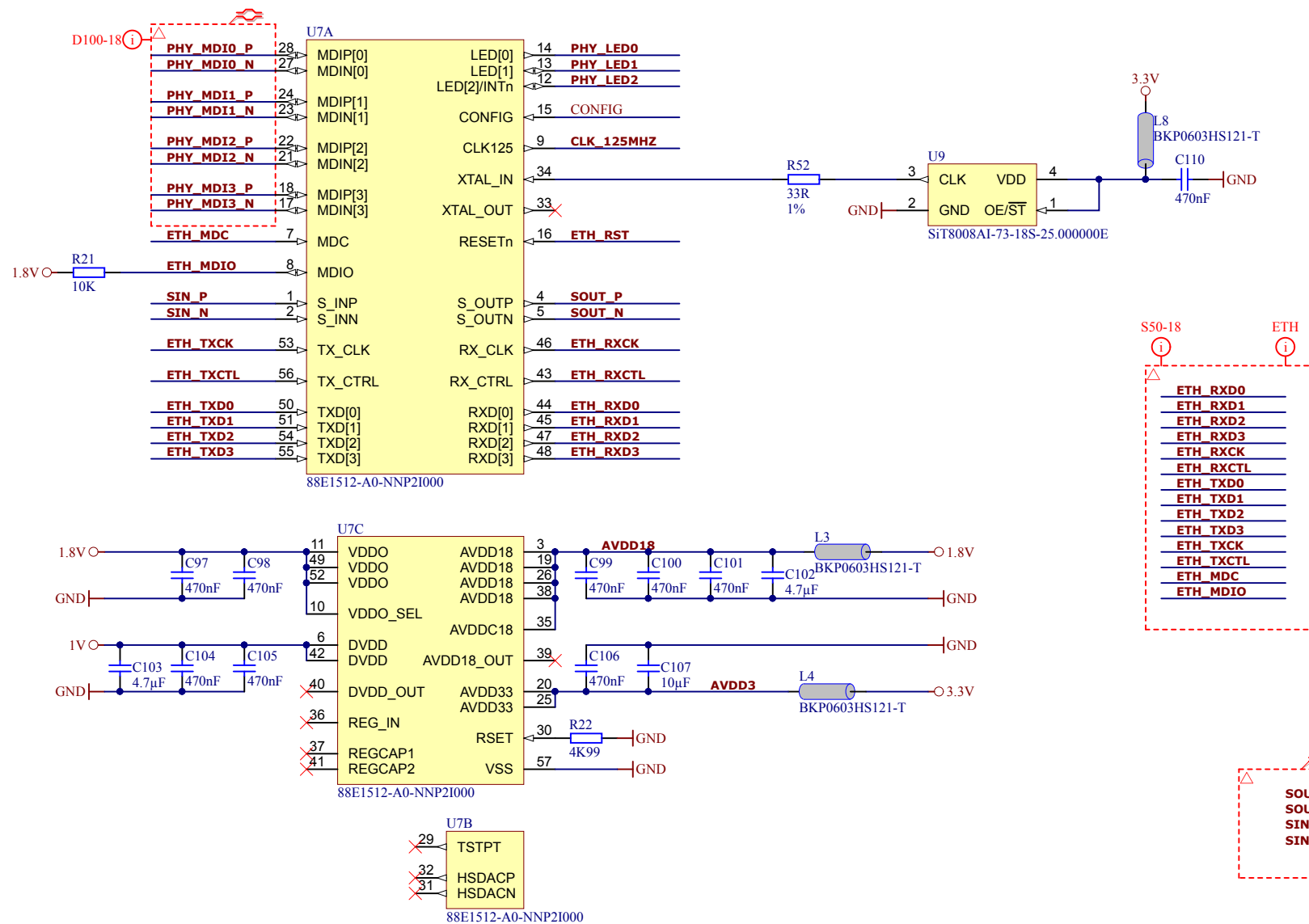
Title: B2B		
A4	Number: TE0715 TE0715-15-1C	Rev. 03
Date: 2015-07-14	Copyright: Trenz Electronic GmbH / TT	Page9 of 15
Filename: B2B_Connector.SchDoc		

A

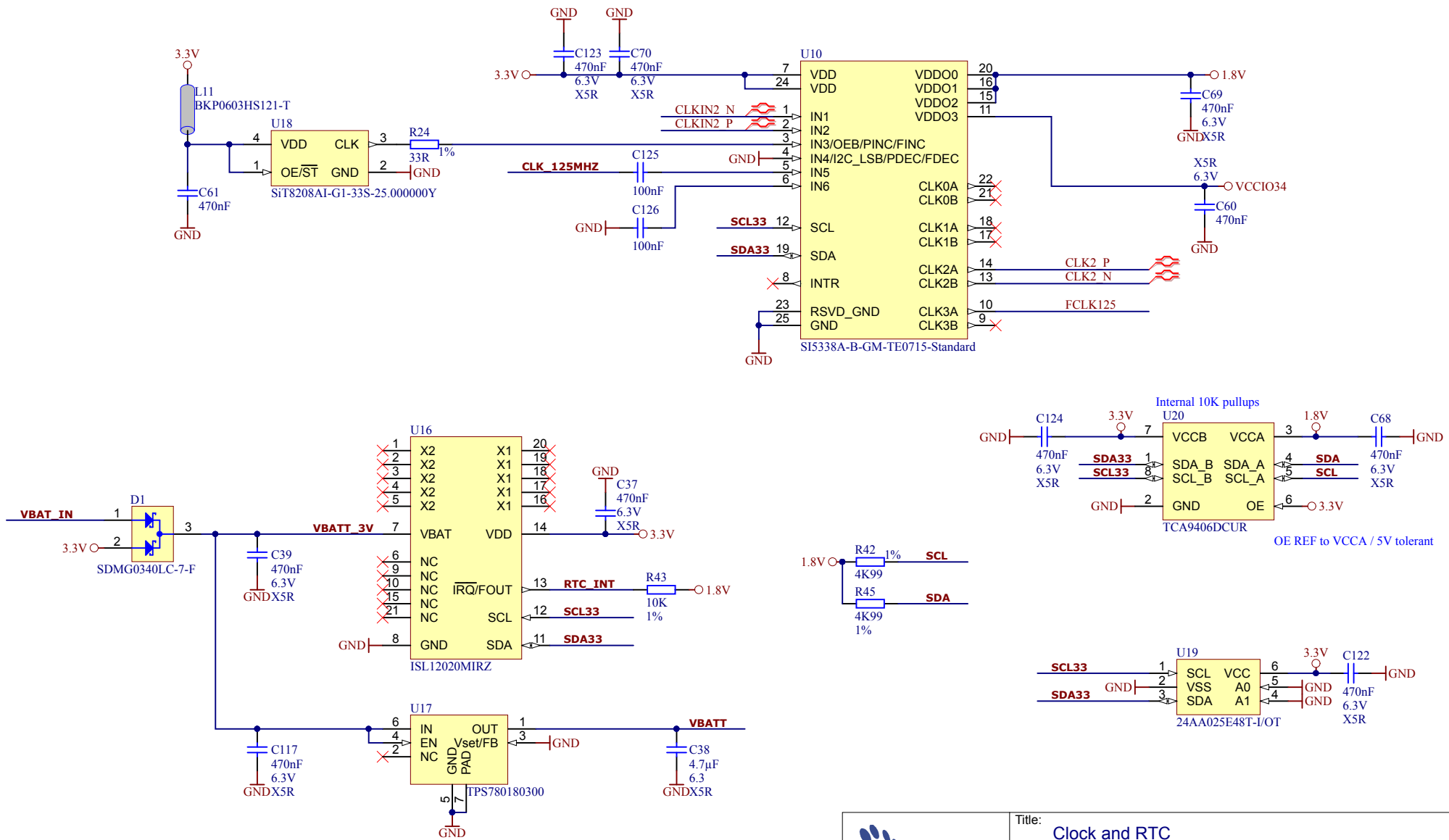
B

C

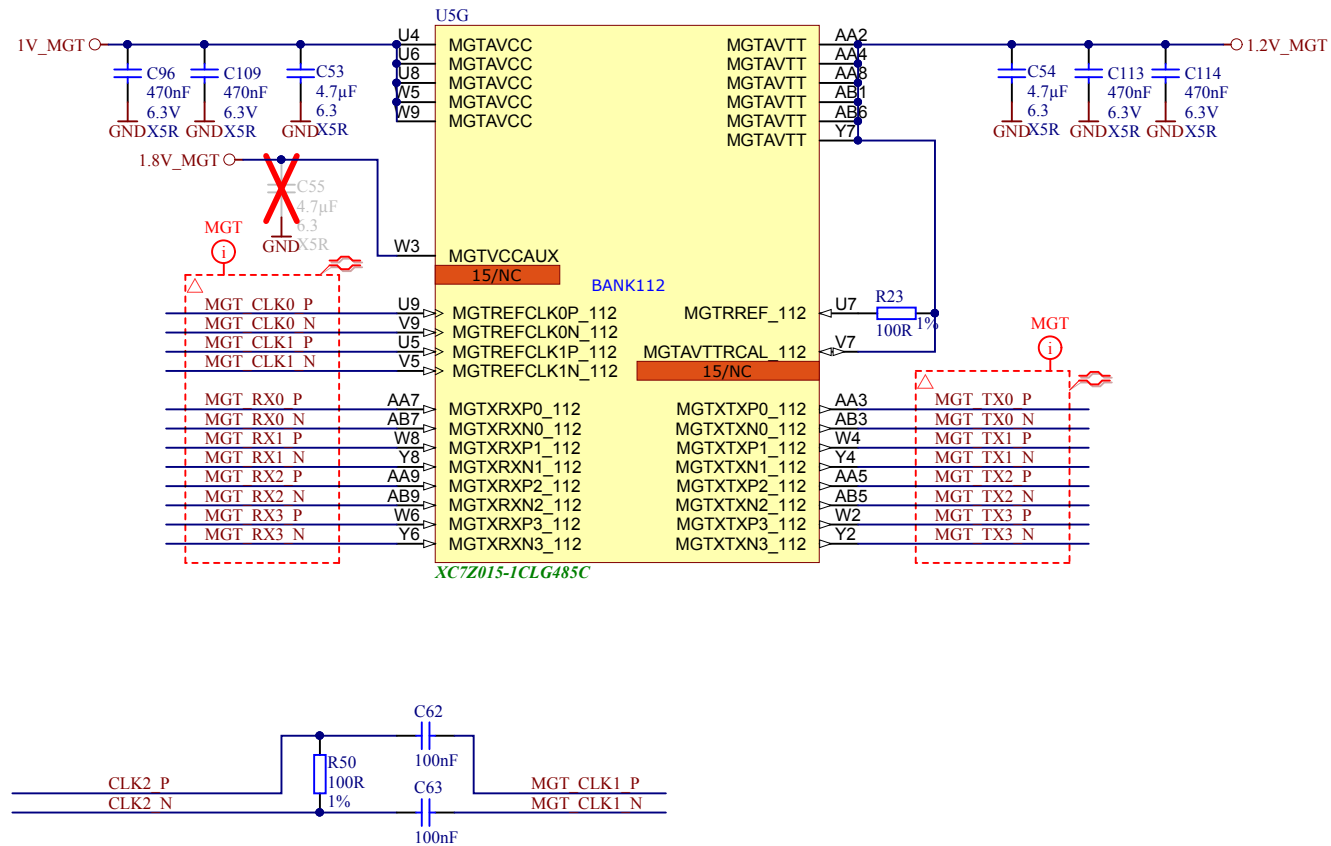
D




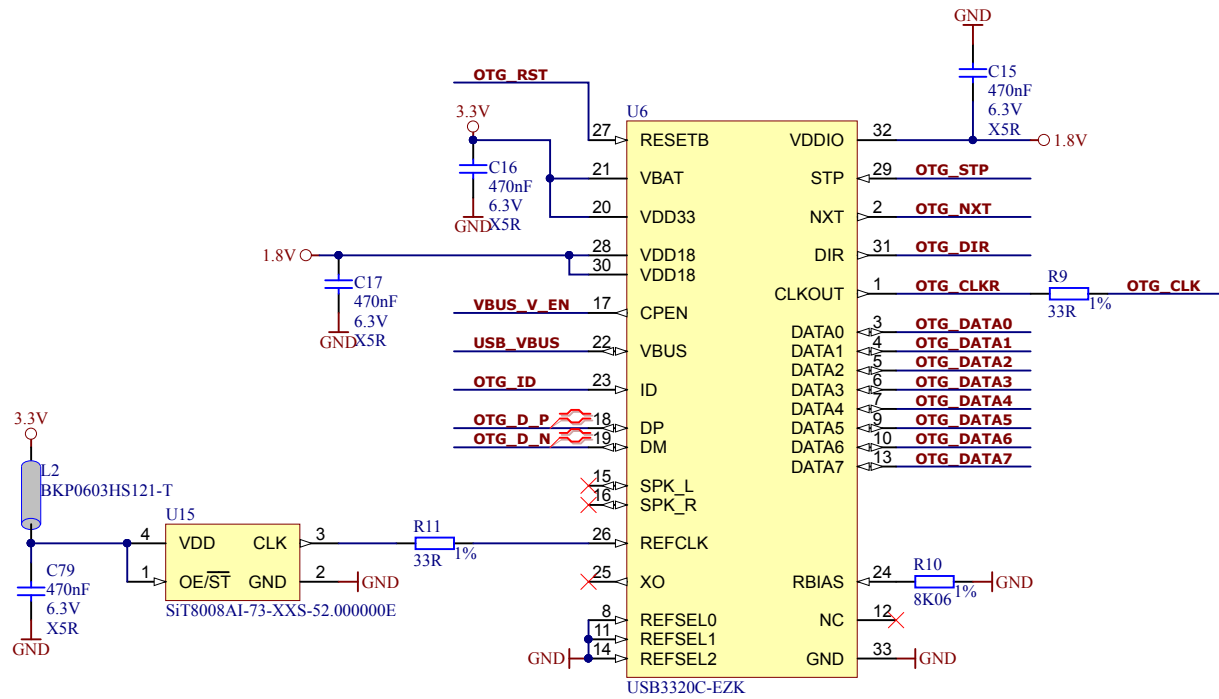
Title: Ethernet		
A4	Number: TE0715 TE0715-15-1C	Rev. 03
Date: 2015-07-14	Copyright: 2013 Trenz Electronic GmbH	Page 10 of 15
Filename: ETH-PHY.SchDoc		




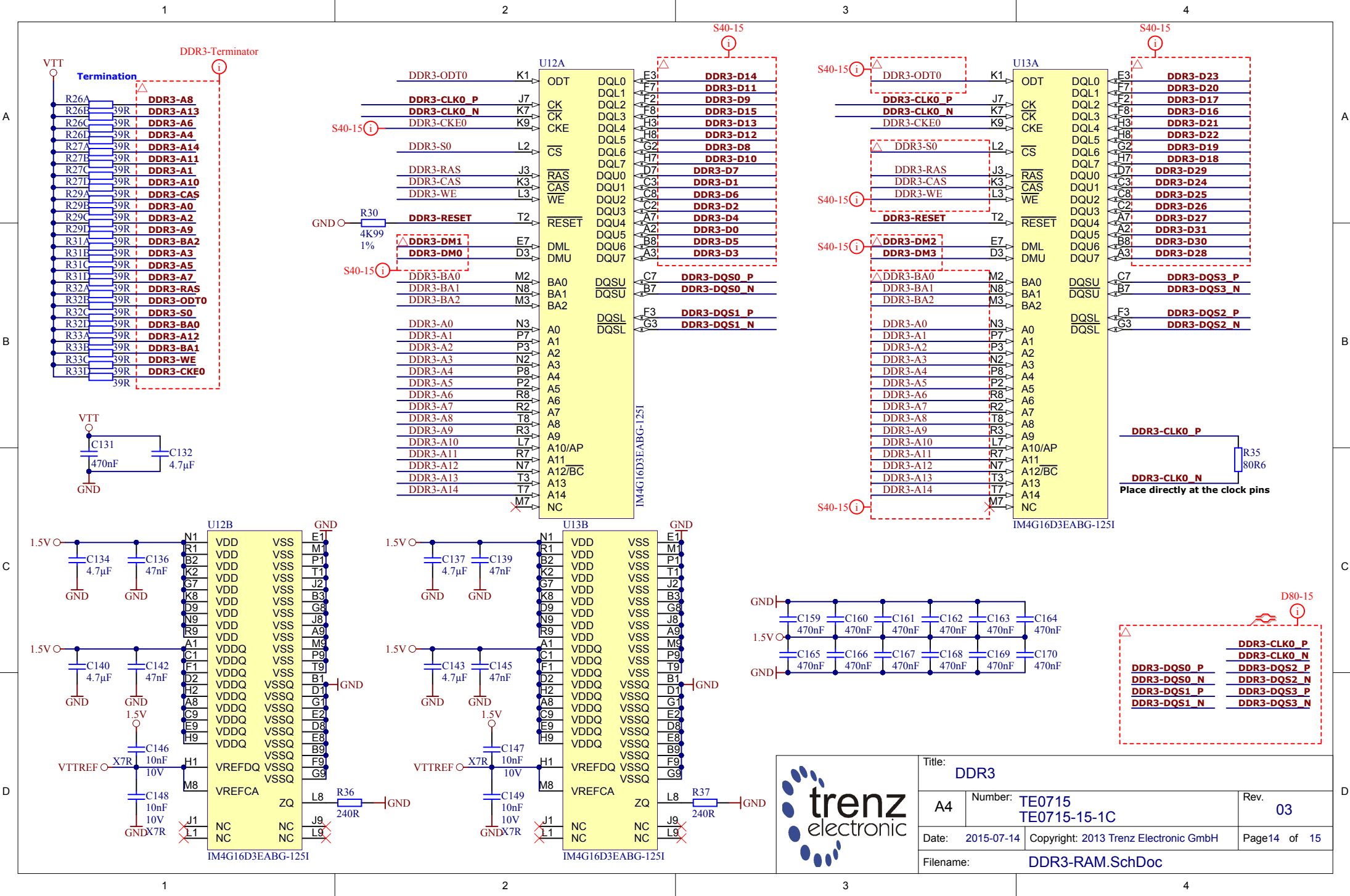
Title: <b>Clock and RTC</b>		
A4	Number: <b>TE0715 TE0715-15-1C</b>	Rev. <b>03</b>
Date: <b>2015-07-14</b>	Copyright: <b>Trenz Electronic GmbH</b>	Page <b>11</b> of <b>15</b>
Filename: <b>Clock.SchDoc</b>		

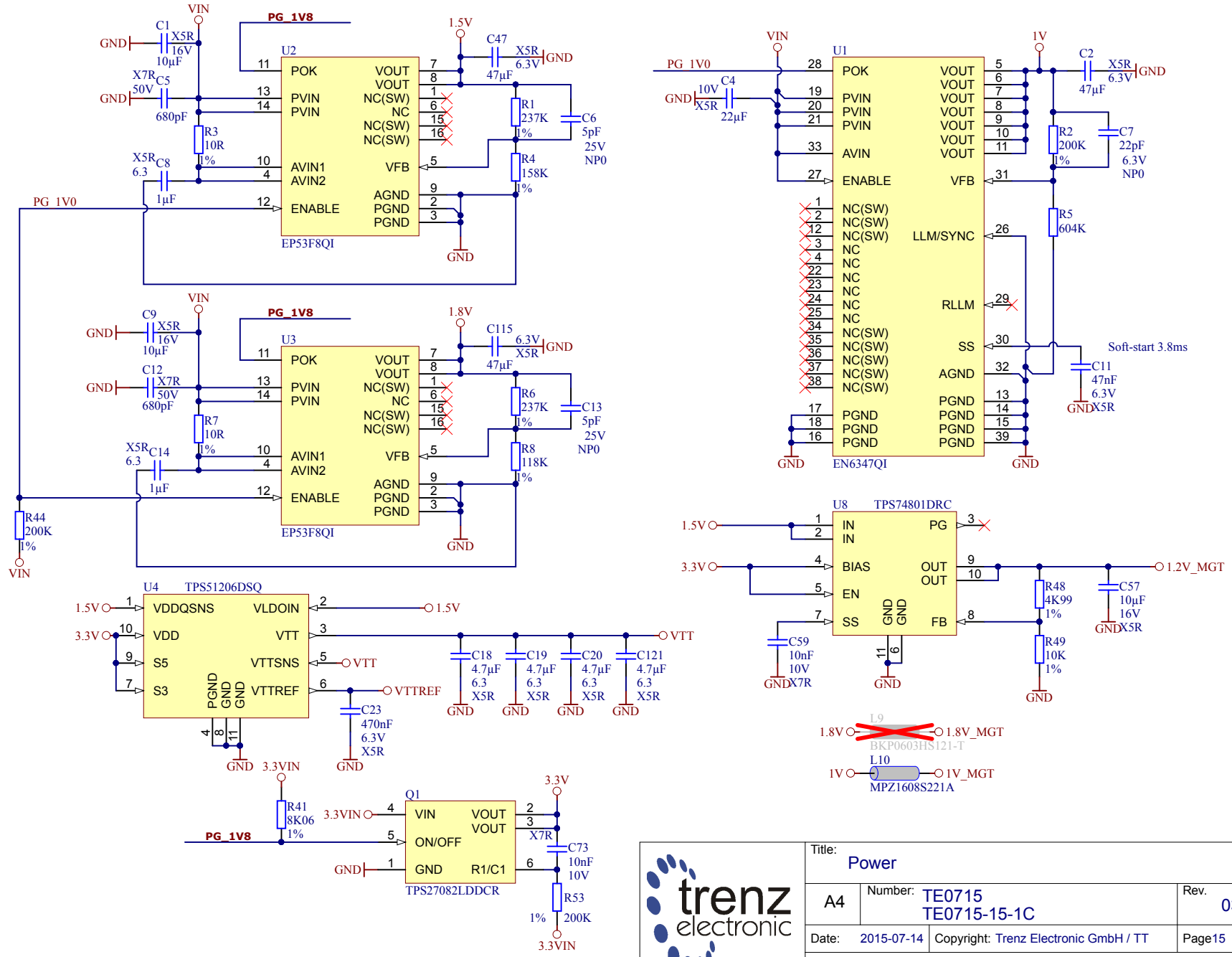


			Title: MGT	
			A4	Number: TE0715 TE0715-15-1C
Date: 2015-07-14		Copyright: Trenz Electronic GmbH / TT		Page 12 of 15
Filename: MGT.SchDoc				



		Title: <b>USB</b>	
		A4	Number: <b>TE0715</b> <b>TE0715-15-1C</b>
Date: 2015-07-14		Copyright: 2013 Trenz Electronic GmbH	
Page 13 of 15		Filename: <b>USB-PHY.SchDoc</b>	





Title: <b>Power</b>		
A4	Number: <b>TE0715 TE0715-15-1C</b>	Rev. <b>03</b>
Date: <b>2015-07-14</b>	Copyright: <b>Trenz Electronic GmbH / TT</b>	Page <b>15</b> of <b>15</b>
Filename: <b>POWER.SchDoc</b>		