

1

2

3

4

A

A

B

B

C

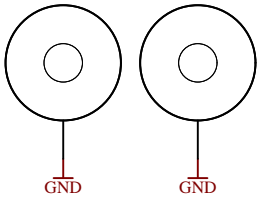
C

D

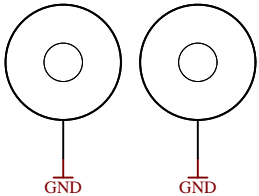
D

FPGA-MISC	FPGA-POWER
FPGA-MISC.SchDoc	FPGA-POWER.SchDoc
B13	DDR3-RAM
B13.SchDoc	DDR3-RAM.SchDoc
B34	B2B_Connector
B34.SchDoc	B2B_Connector.SchDoc
B35	Clock
B35.SchDoc	Clock.SchDoc
MIO-BANKS	ETH-PHY
MIO-BANKS.SchDoc	ETH-PHY.SchDoc
MGT	USB-PHY
MGT.SchDoc	USB-PHY.SchDoc
DDR-BANK	POWER
DDR-BANK.SchDoc	POWER.SchDoc
	POWER_2
	POWER_2.SchDoc

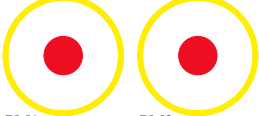
Mount.Hole 3.2mm Mount.Hole 3.2mm



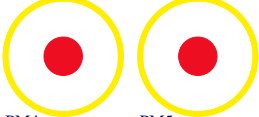
Mount.Hole 3.2mm Mount.Hole 3.2mm



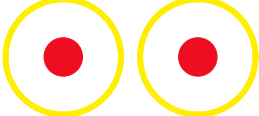
FIDU-DOT - small FIDU-DOT - small



PM1 PM2 FIDU-DOT - small FIDU-DOT - small



PM4 PM5 FIDU-DOT - small FIDU-DOT - small



PM6 PM3

Serial
Serial
Serialnumber 6,3 x 6.3mm



Assembly variant:	51133-L
Created by:	MR
Modified by:	MR
Modified at:	2021-01-20



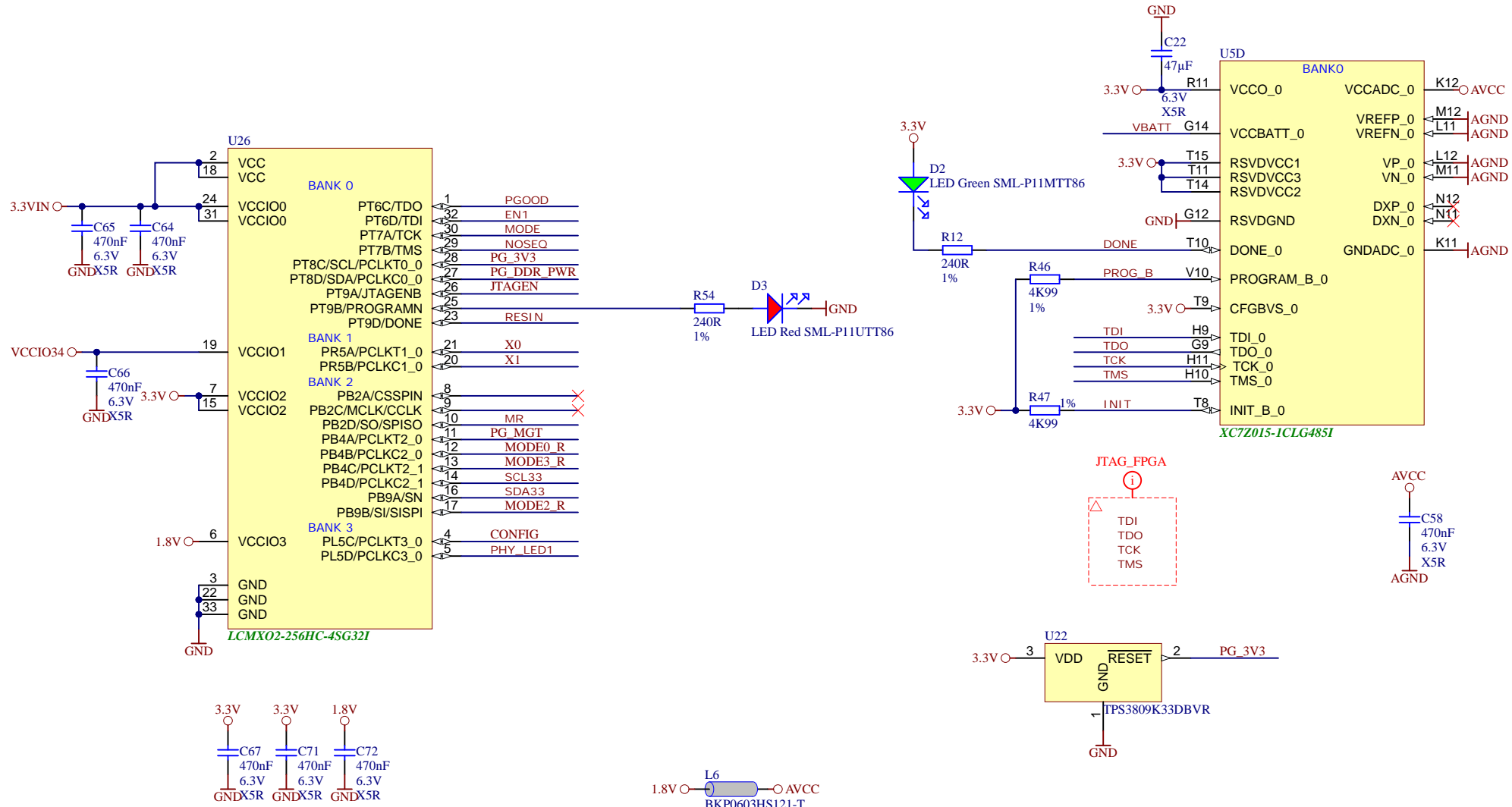
Title: TE0715 - Overview		
A4	Number: TE0715 51133-L	Rev. 04
Date: 2015-10-14	Copyright: Trenz Electronic GmbH / TT	Page 1 of 15
Filename: TE0715.SchDoc		


1

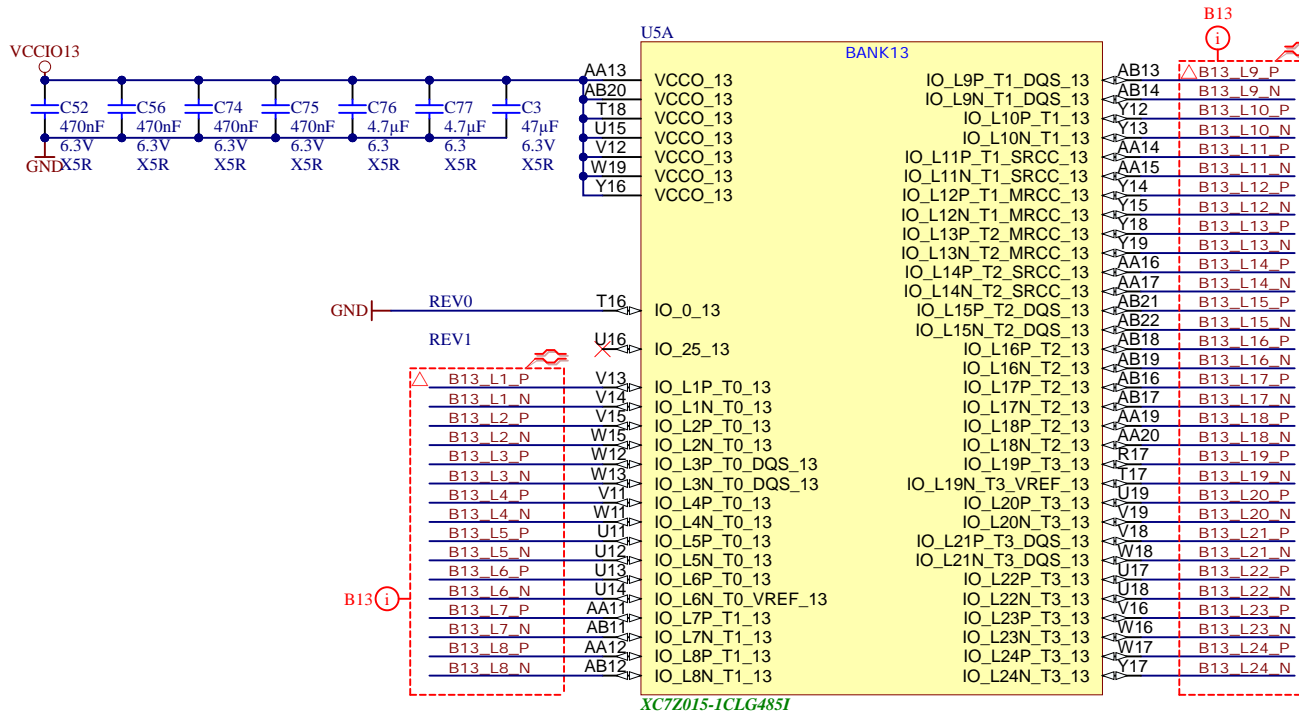
2

3

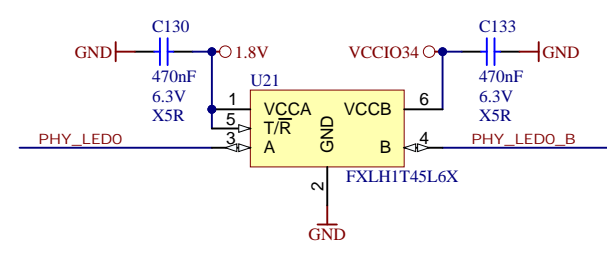
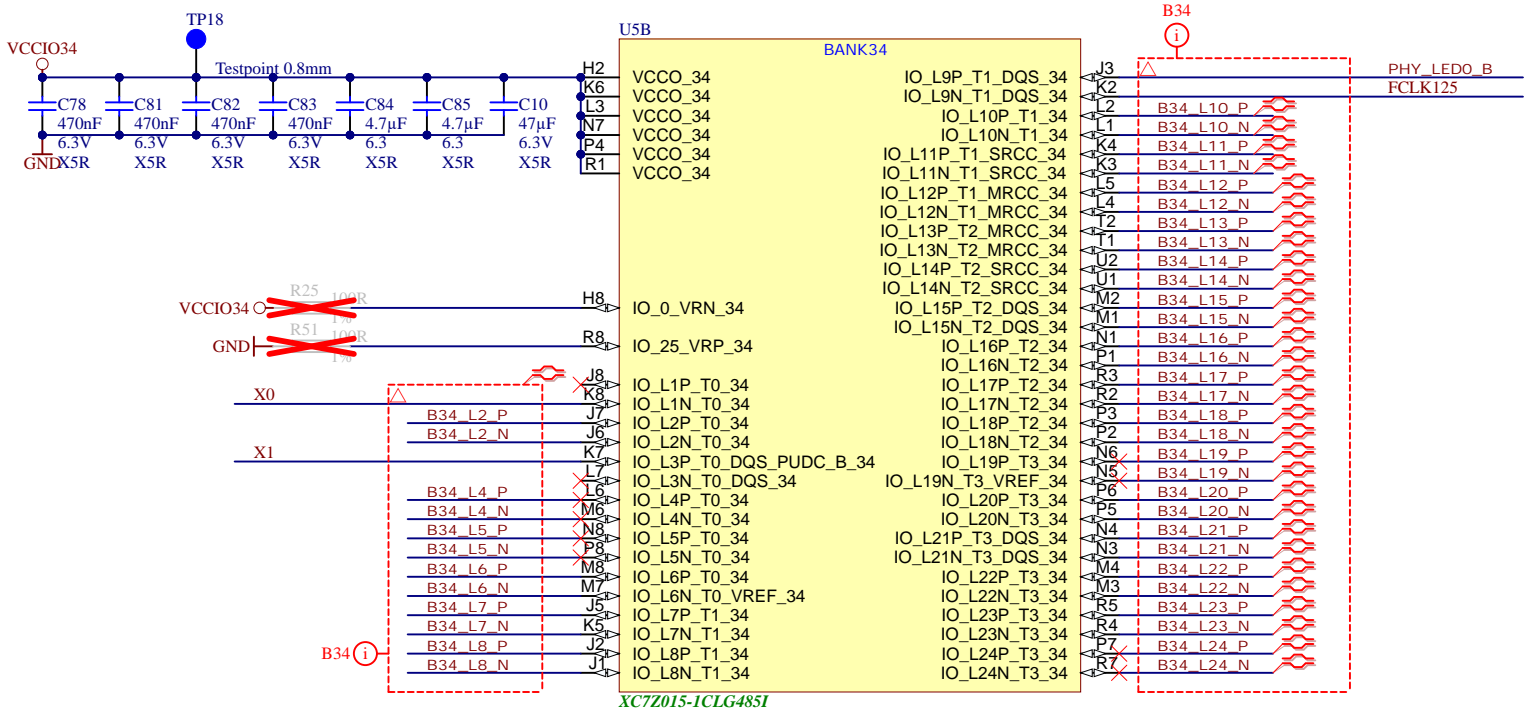
4



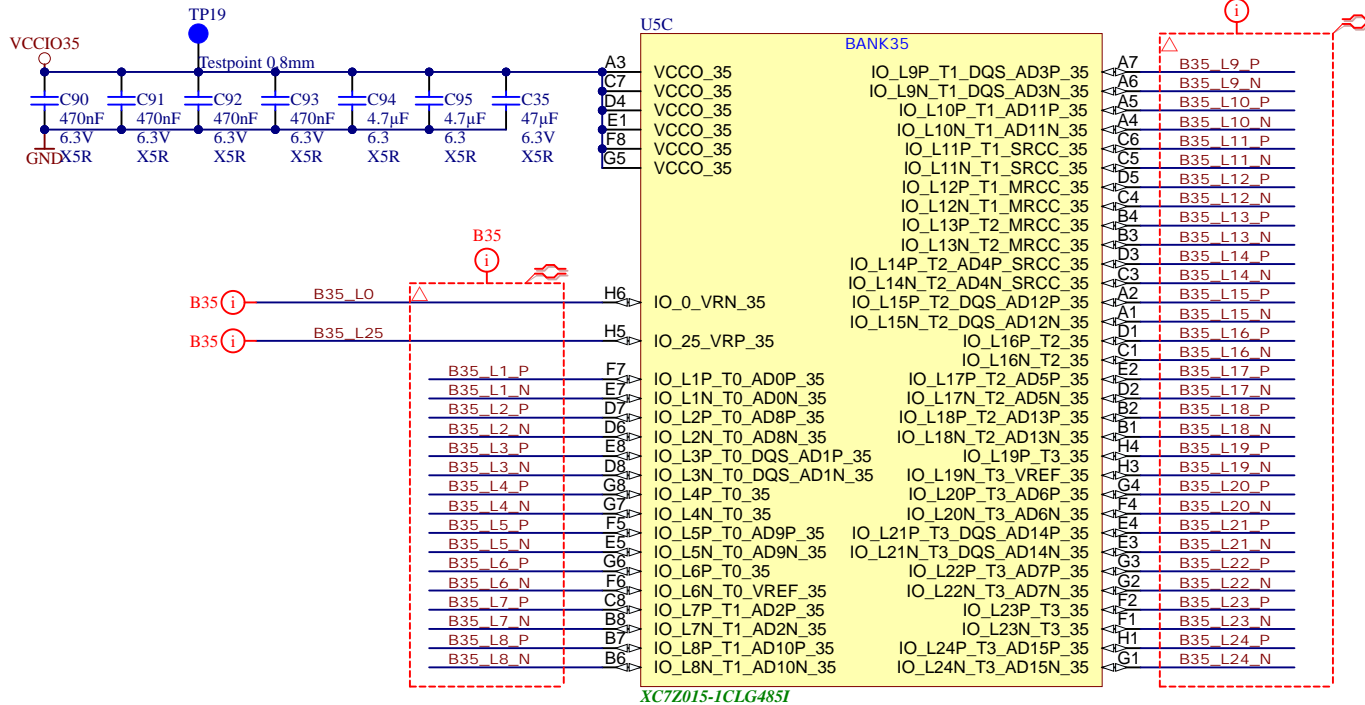
			Title: TE0715 - Config-MISC	
A4	Number: TE0715 51133-L	Rev. 04		
Date: 2015-10-14	Copyright: Trenz Electronic GmbH / TT	Page2 of 15		
Filename: FPGA-MISC.SchDoc				



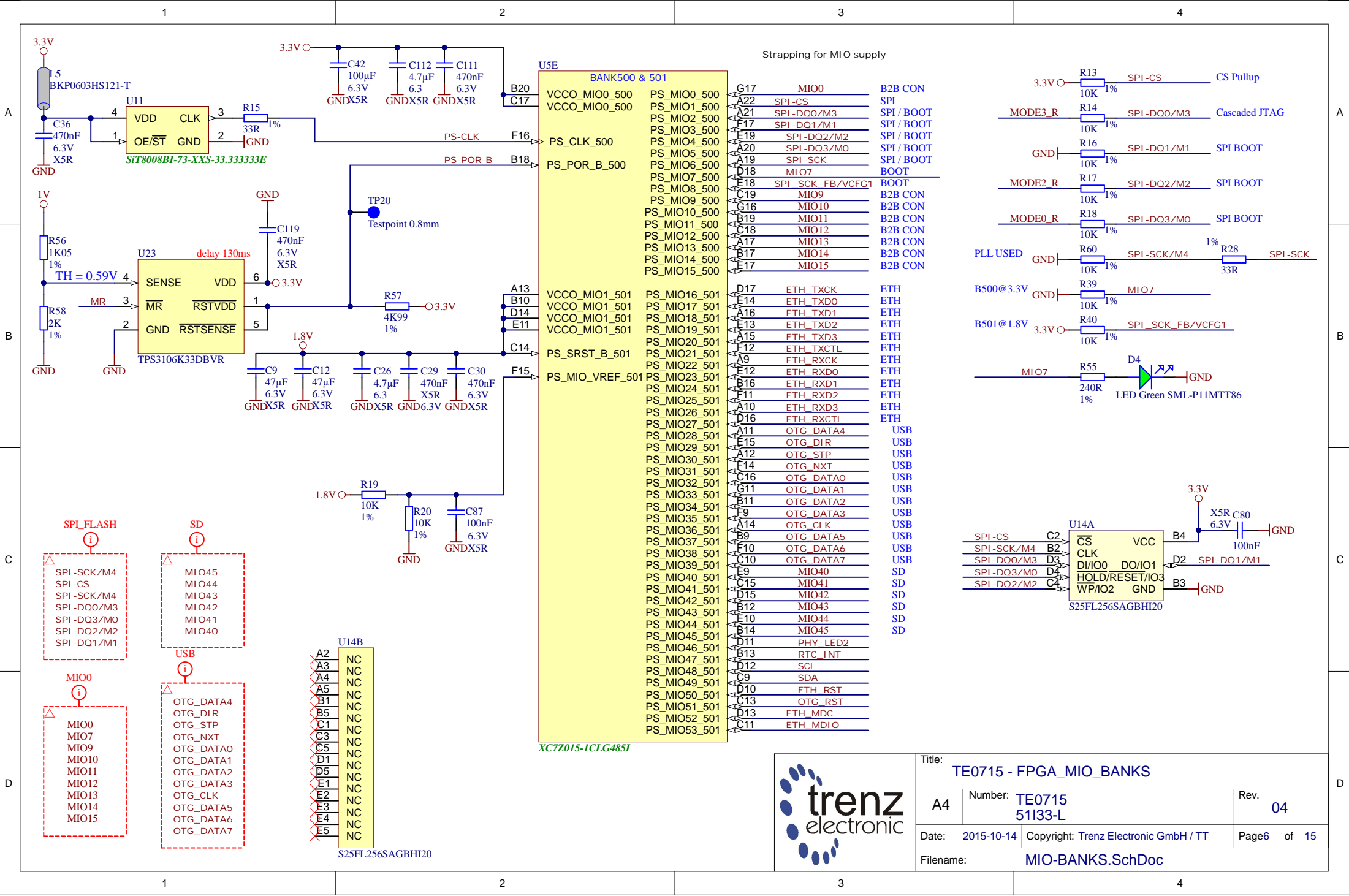
	Title: TE0715 - FPGA_B12		
	A4	Number: TE0715 51133-L	Rev. 04
	Date: 2015-10-14	Copyright: Trenz Electronic GmbH / TT	Page3 of 15
	Filename: B13.SchDoc		



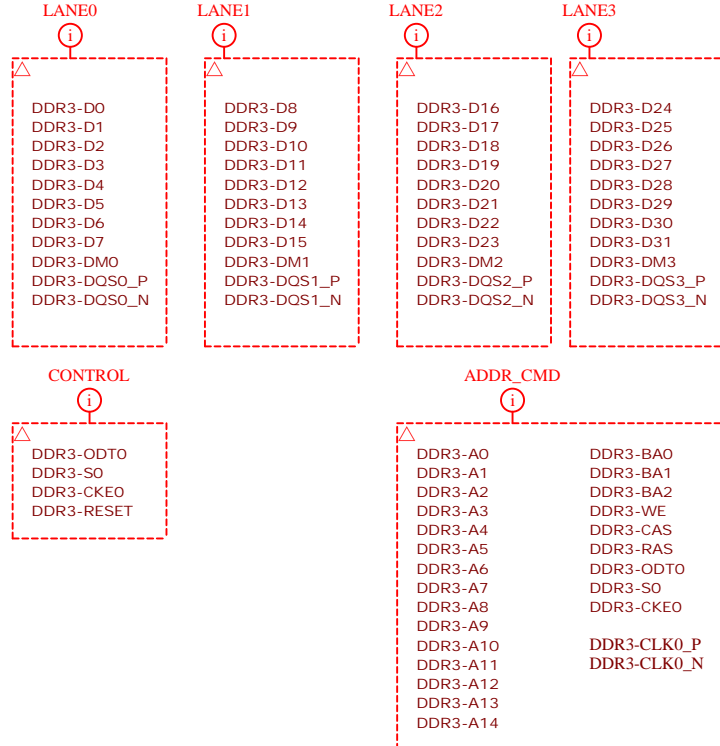
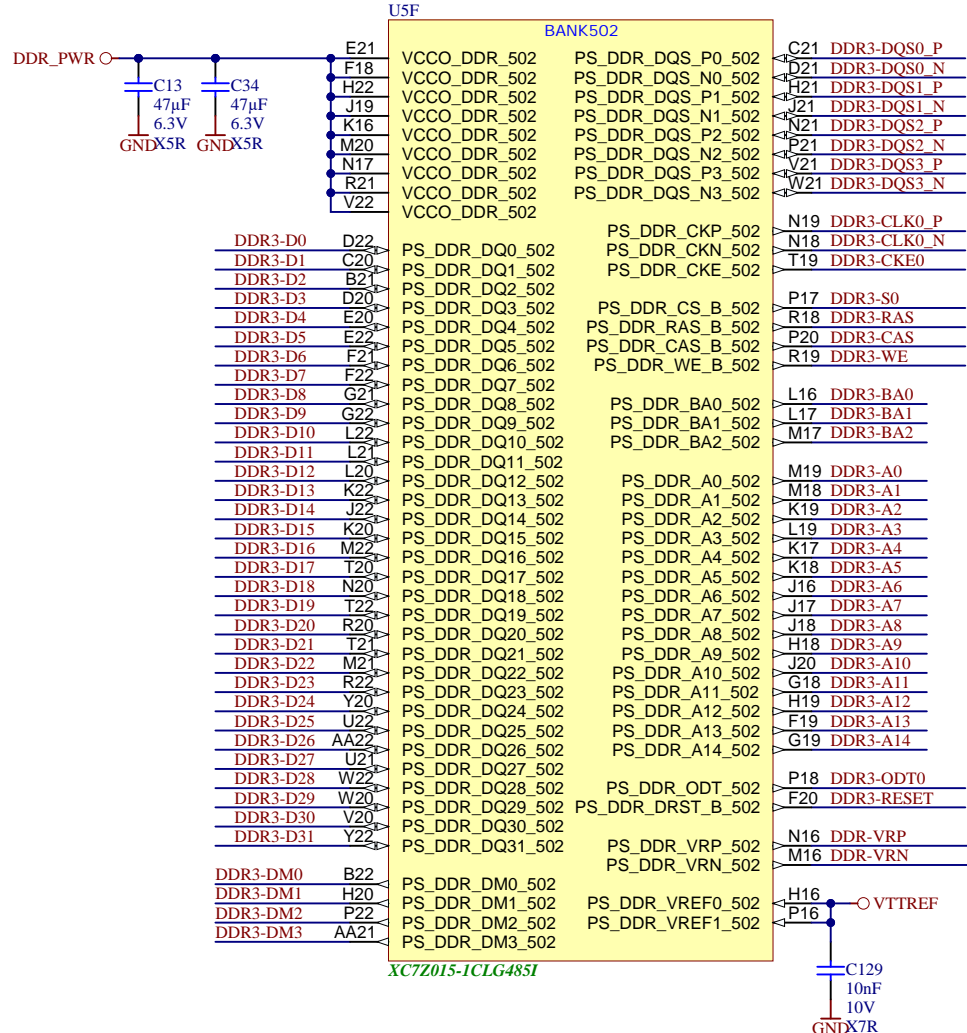
Title: TE0715 - FPGA_B34		
A4	Number: TE0715 51133-L	Rev. 04
Date: 2015-10-14	Copyright: Trenz Electronic GmbH / TT	Page 4 of 15
Filename: B34.SchDoc		



Title: TE0715 - FPGA_B35		
A4	Number: TE0715 51133-L	Rev. 04
Date: 2015-10-14	Copyright: Trenz Electronic GmbH / TT	Page5 of 15
Filename: B35.SchDoc		



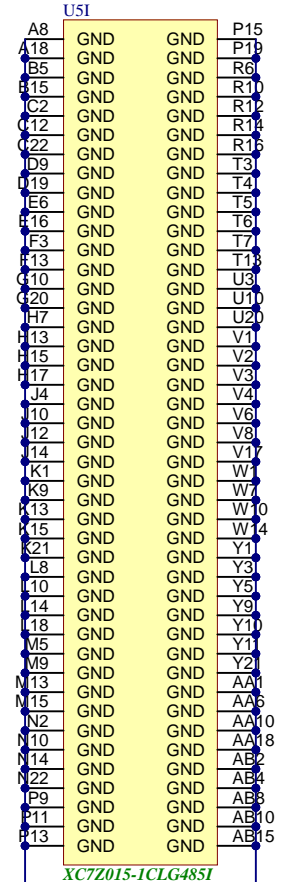
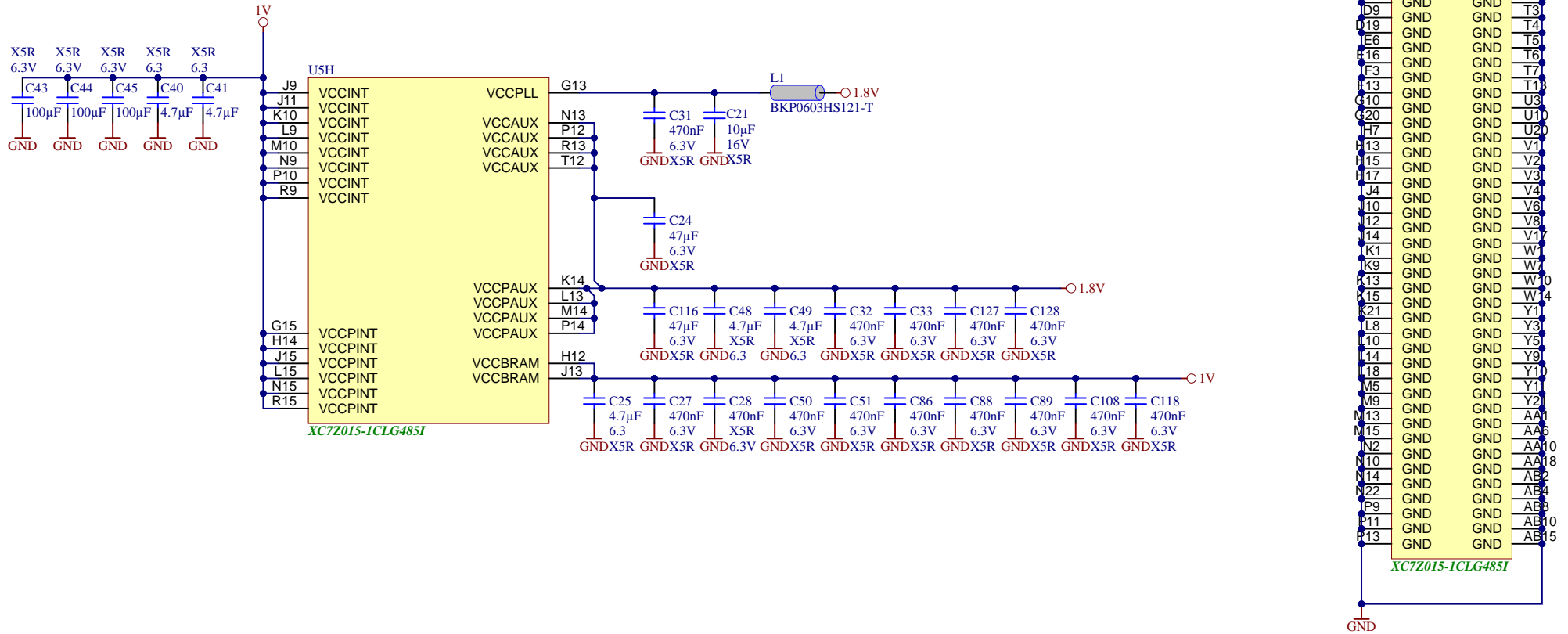
Title: TE0715 - FPGA_MIO_BANKS		
A4	Number: TE0715 51133-L	Rev. 04
Date: 2015-10-14	Copyright: Trenz Electronic GmbH / TT	Page6 of 15
Filename: MIO-BANKS.SchDoc		




trenz electronic

Title: **TE0715 - FPGA_PS-DDR**

A4	Number: TE0715 51133-L	Rev. 04
Date: 2015-10-14	Copyright: Trenz Electronic GmbH / TT	Page 7 of 15
Filename: DDR-BANK.SchDoc		



		Title: TE0715 - FPGA_Power	
		A4	Number: TE0715 51133-L
Date: 2015-10-14		Copyright: Trenz Electronic GmbH / TT	
Page 8		of 15	
Filename: FPGA-POWER.SchDoc			

1

2

3

4

A

A

B

B

C

C

D

D

1

2

3

4

NOTE: B34 and B35 are HP Banks in 7030 Assembly with max 1.8V I/O Voltage

B13 48 IO, 24 LVDS Pairs
MIO0 8 IO, 3.3V
MIO1 6 IO 1.8V
ETH MDI Copper

B34 16 IO, 8 LVDS Pairs
USB OTG ETH SGMII
PLL CLK IN
GT CLK IN
GTP/GTX 4 Lanes

B34 18 IO, 9 LVDS Pairs
B35 48 IO, 24 LVDS Pairs
B35 2 IO

A

A

B

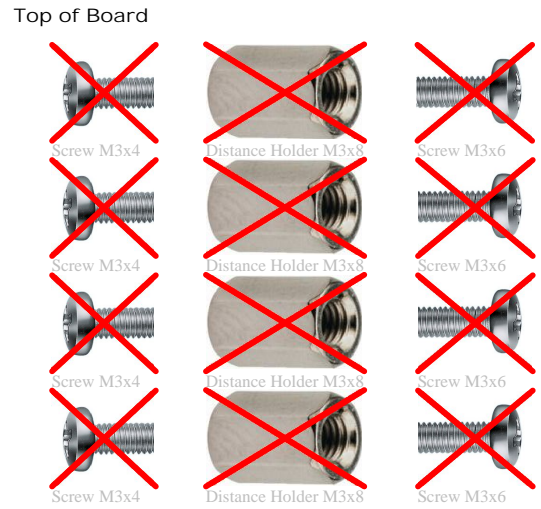
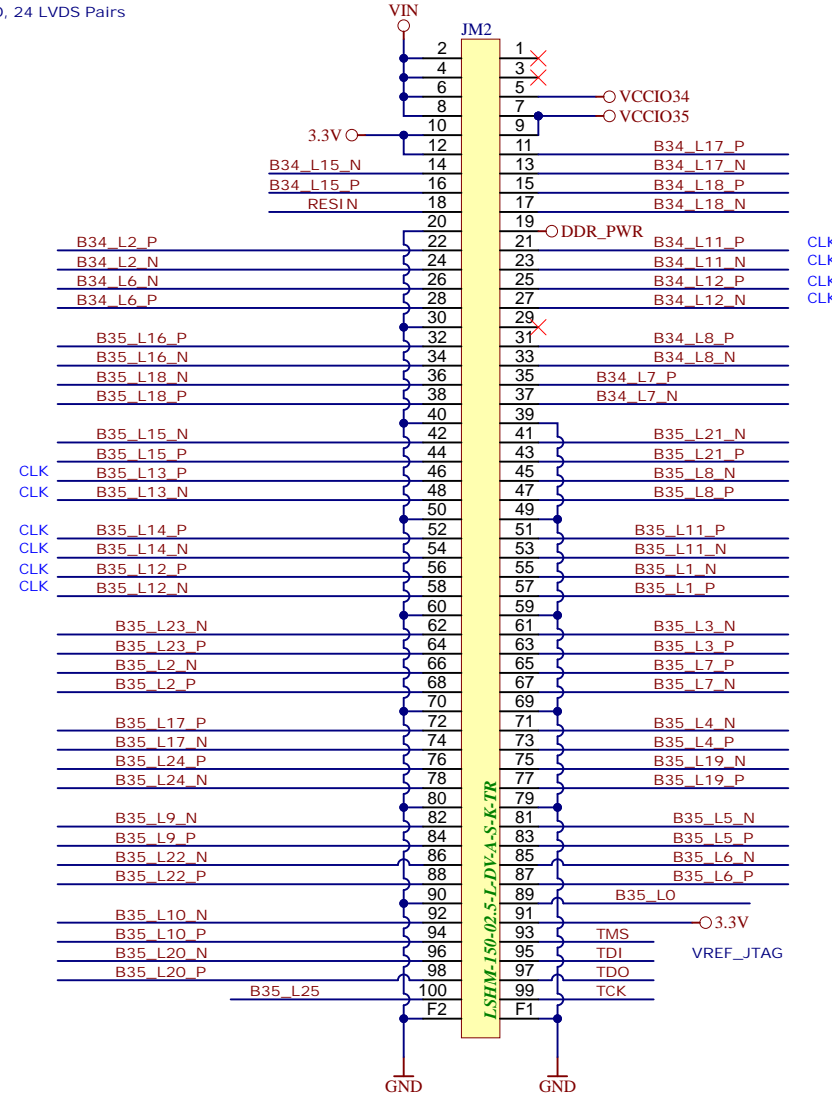
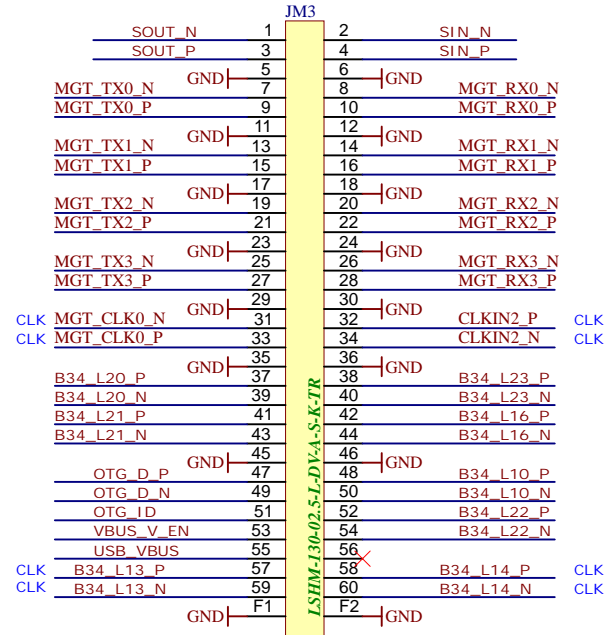
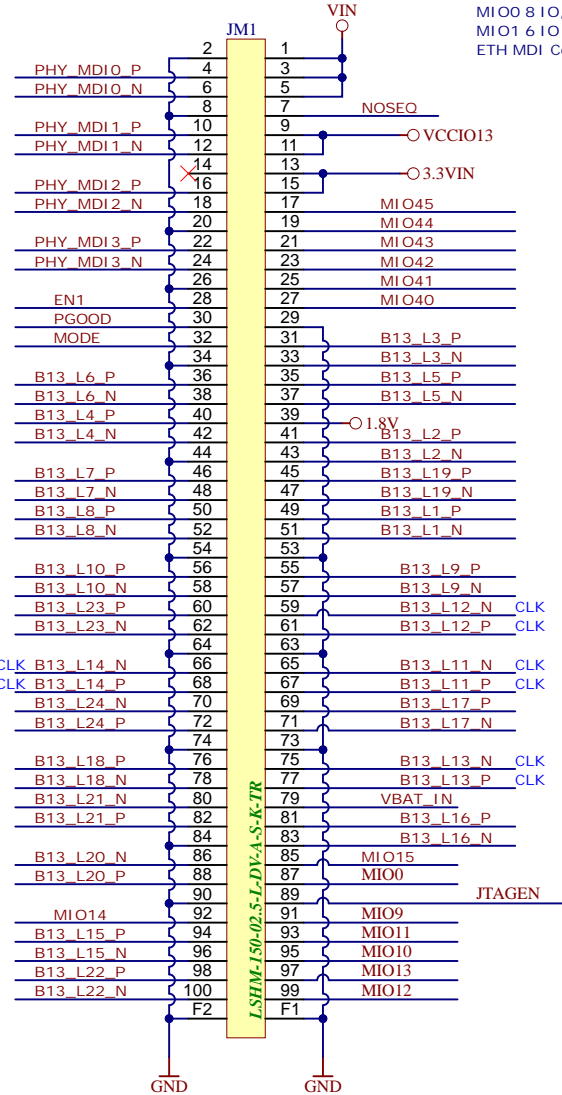
B

C

C

D

D



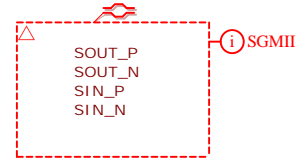
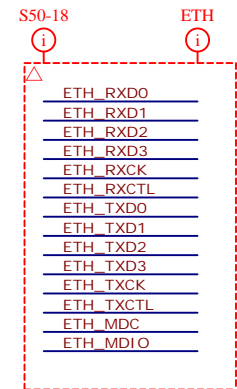
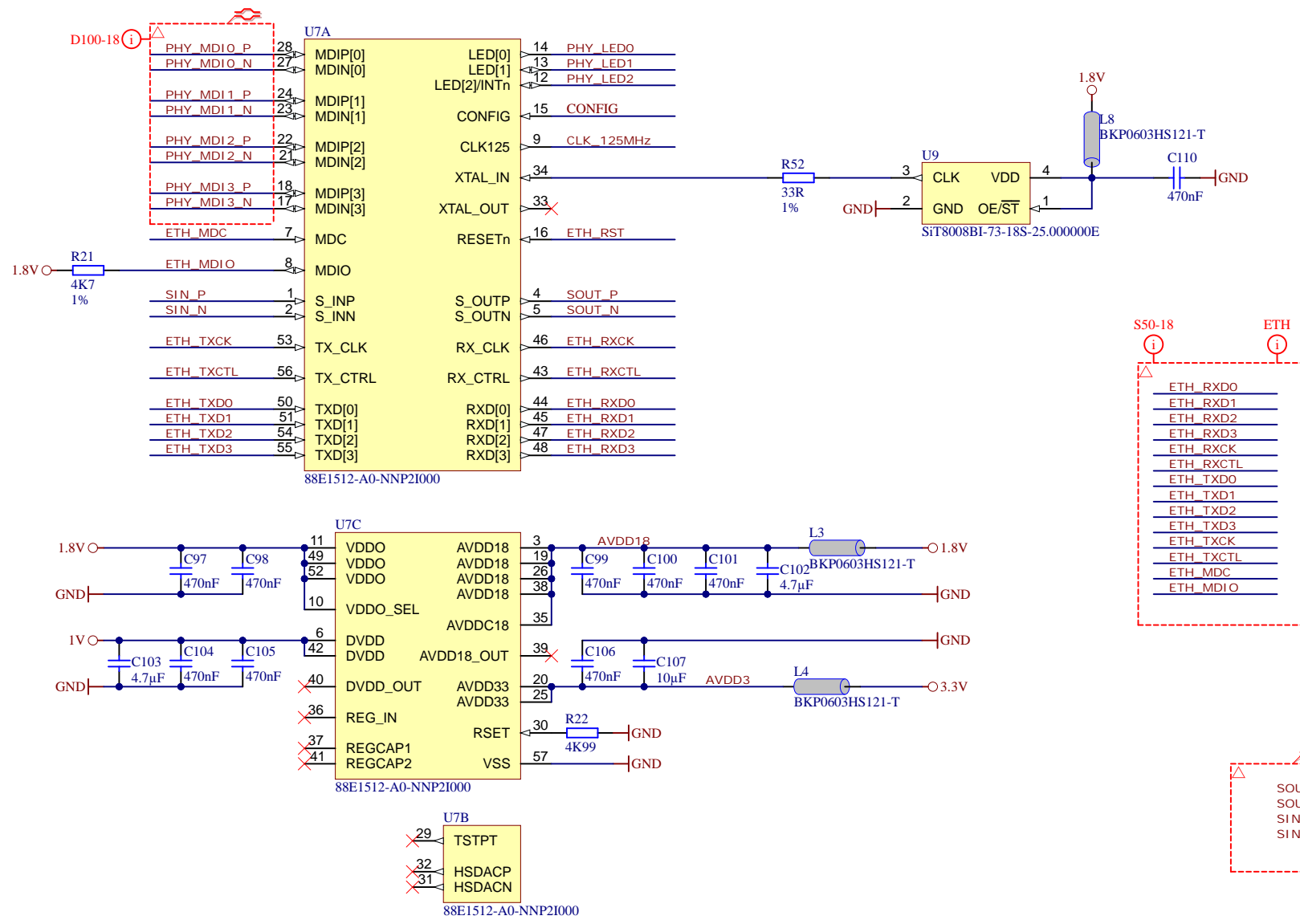
Title: TE0715 - B2B_Connectors		
A4	Number: TE0715 51133-L	Rev. 04
Date: 2015-10-14	Copyright: Trenz Electronic GmbH / TT	Page9 of 15
Filename: B2B_Connector.SchDoc		

A

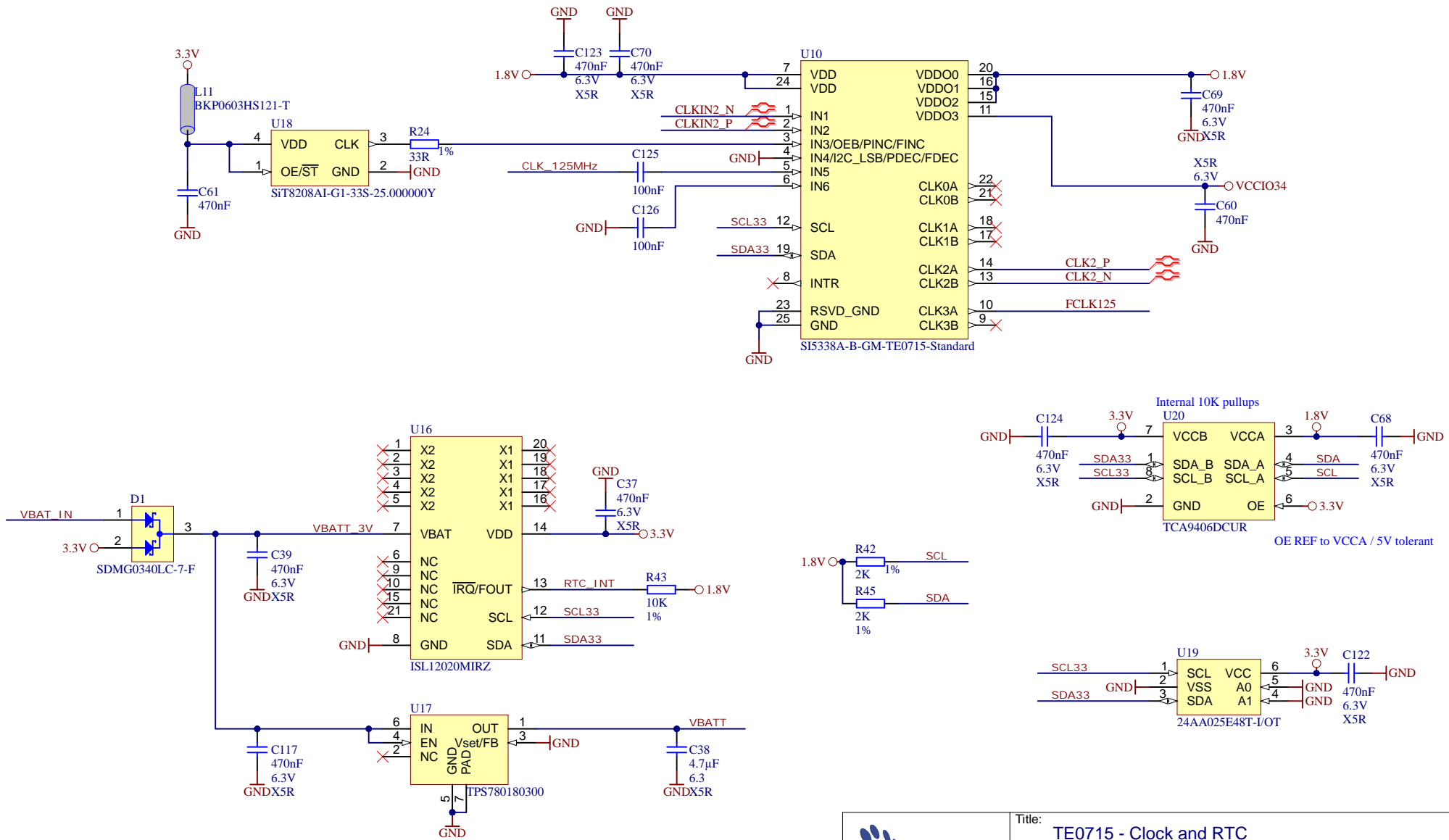
B


C

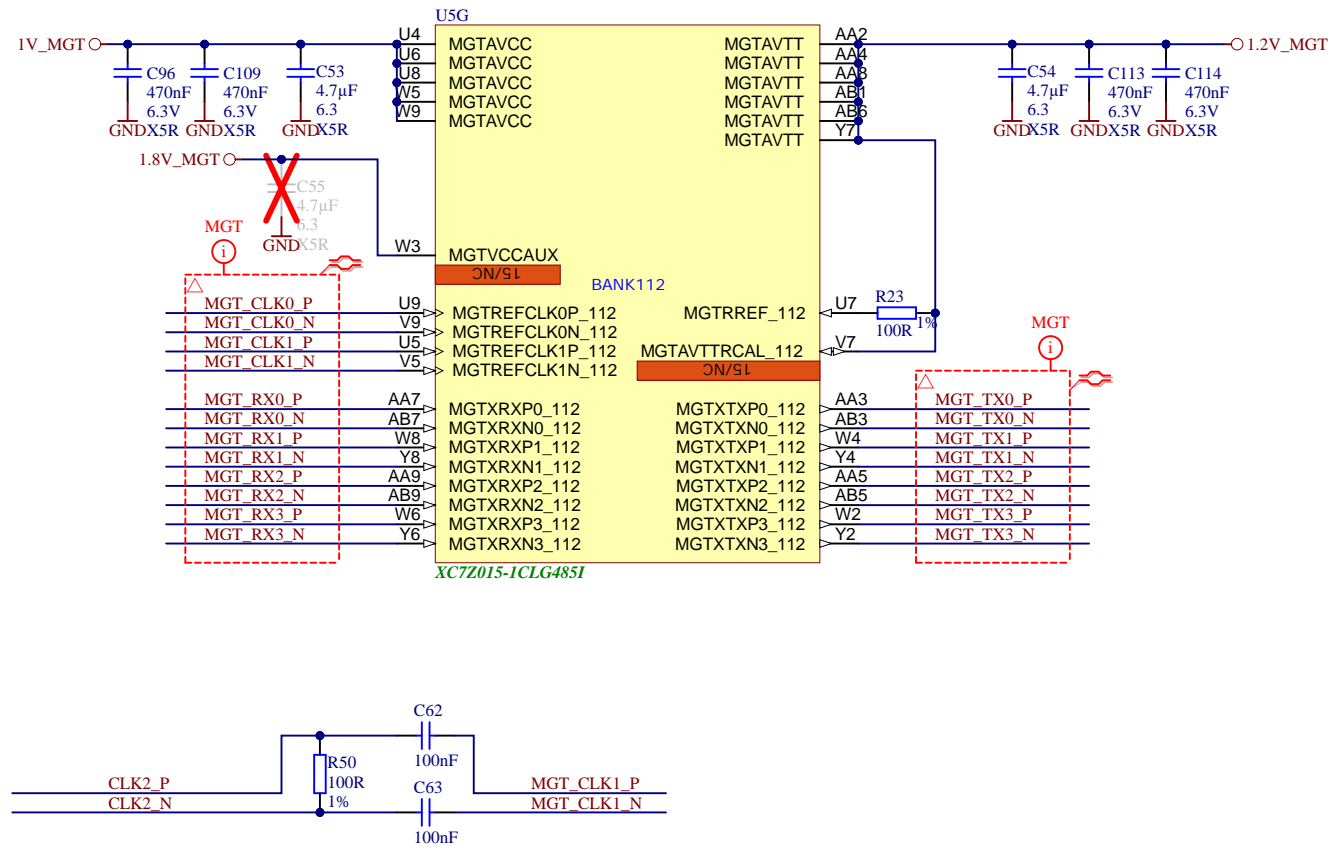
D



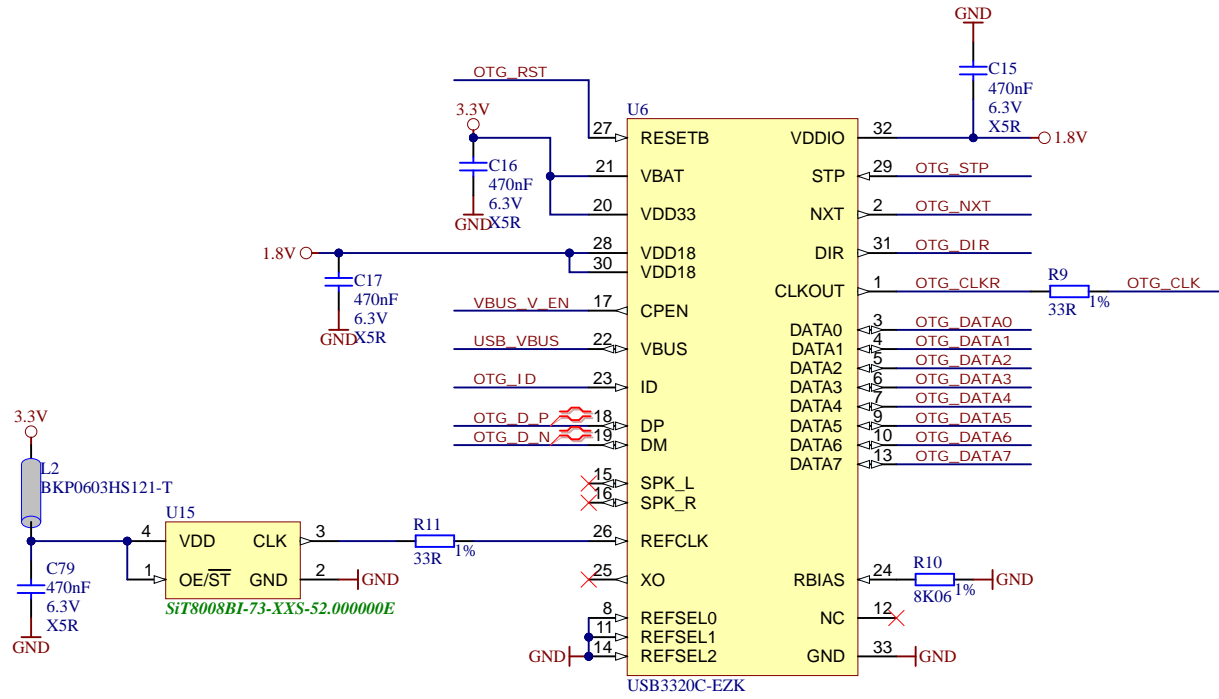
	Title: TE0715 - ETH_PHY		
	A4	Number: TE0715 51133-L	Rev. 04
	Date: 2015-10-14	Copyright: 2013 Trenz Electronic GmbH	Page 10 of 15
	Filename: ETH-PHY.SchDoc		



		Title: TE0715 - Clock and RTC	
		A4	Number: TE0715 51133-L
Date: 2015-10-14		Copyright: Trenz Electronic GmbH	
Filename: Clock.SchDoc		Page 11 of 15	



	Title: TE0715 - FPGA_MGT		
	A4	Number: TE0715 51133-L	Rev. 04
	Date: 2015-10-14	Copyright: Trenz Electronic GmbH / TT	
	Page 12 of 15		
Filename: MGT.SchDoc			



	Title: TE0715 - USB_PHY	
	A4	Number: TE0715 51133-L
	Date: 2015-10-14	Rev. 04
	Page 13 of 15	
Copyright: 2013 Trenz Electronic GmbH		Filename: USB-PHY.SchDoc

A

A

B

B

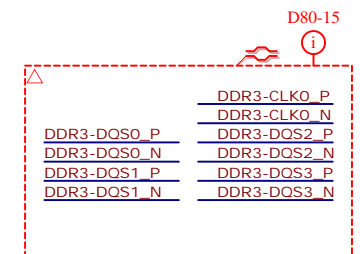
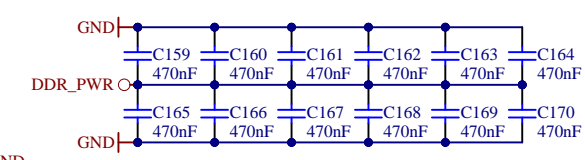
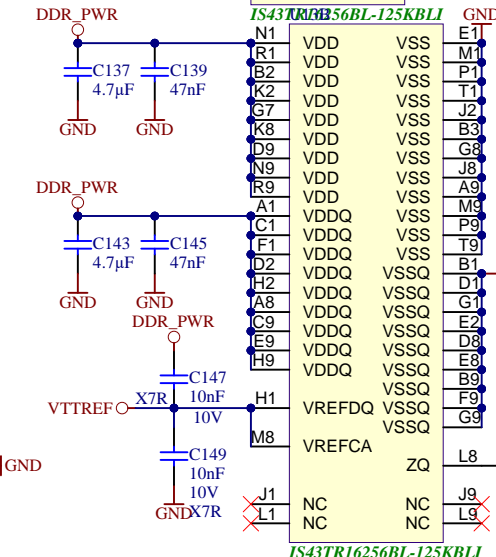
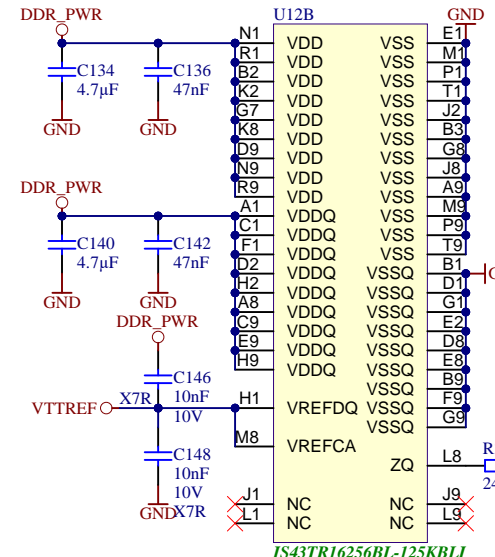
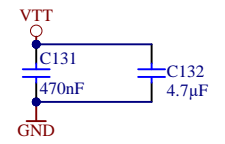
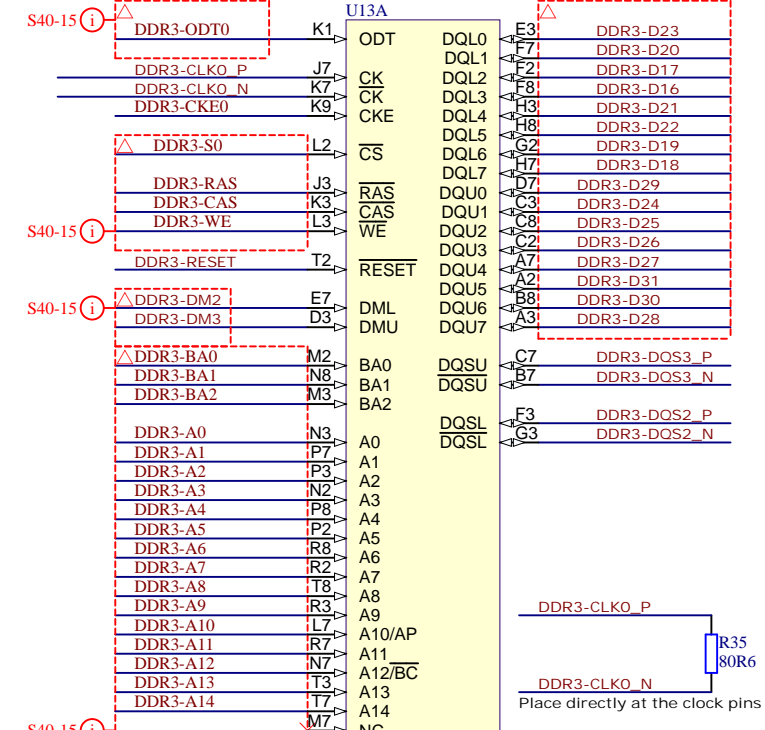
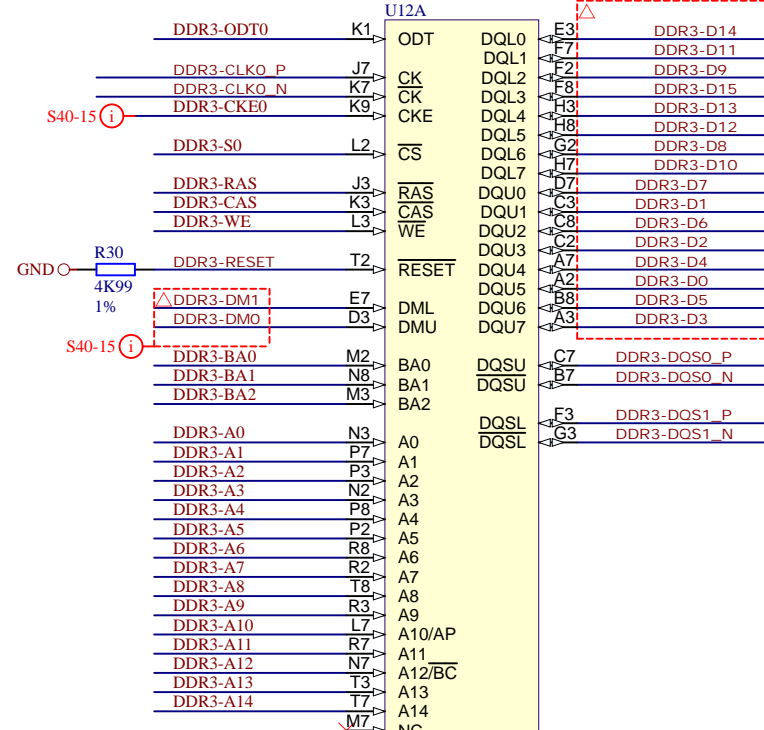
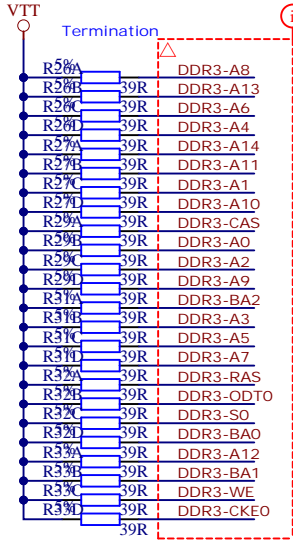
C

C

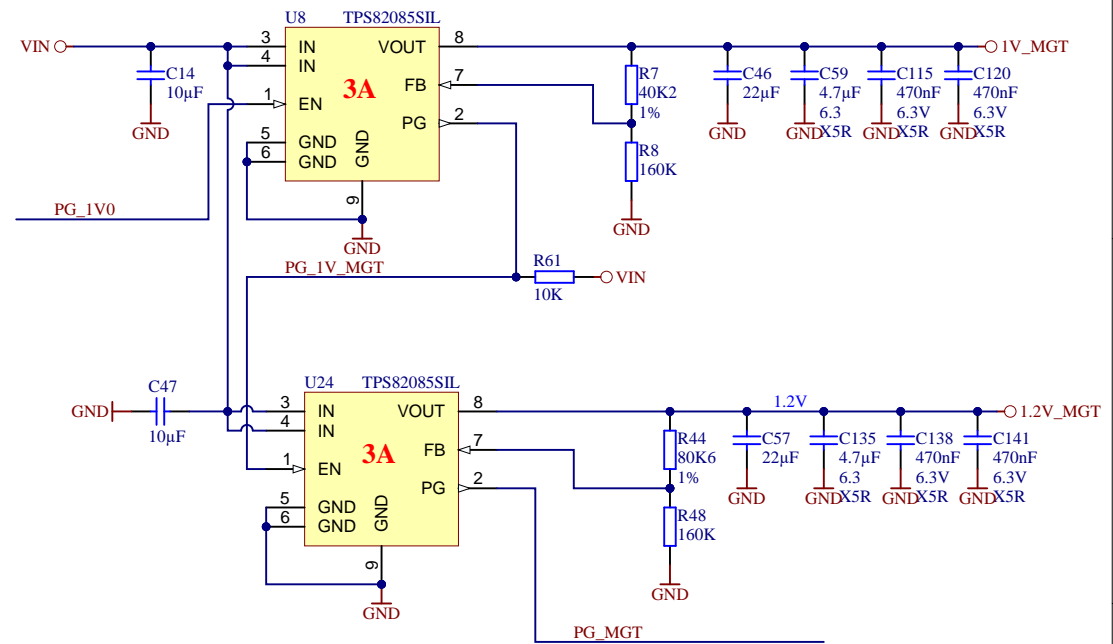
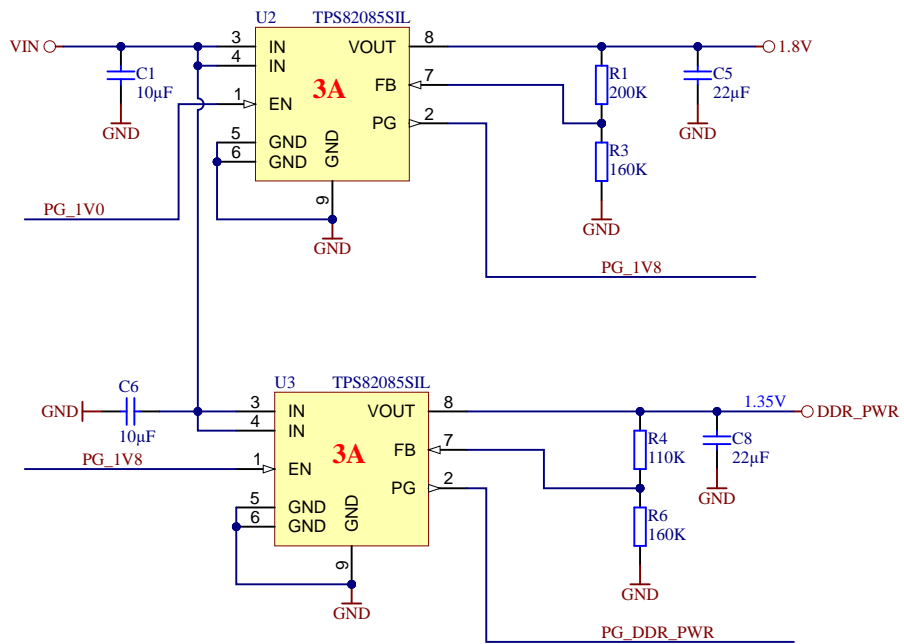
D


D

DDR3-Terminator



Title: TE0715 - DDR3_RAM		
A4	Number: TE0715 51133-L	Rev. 04
Date: 2015-10-14	Copyright: 2013 Trenz Electronic GmbH	Page 14 of 15
Filename: DDR3-RAM.SchDoc		



	Title: TE0715 - Power		
	A4	Number: TE0715 51133-L	Rev. 04
	Date: 2015-10-14	Copyright: Trenz Electronic GmbH / TT	Page 15 of 15
	Filename: POWER_2.SchDoc		

1

2

3

4

A

A

B

B

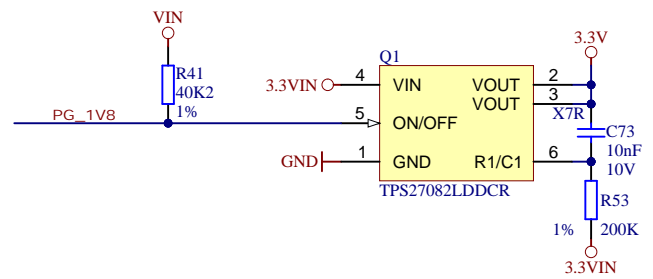
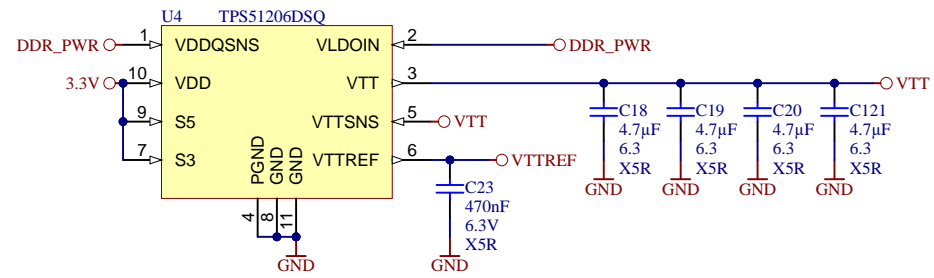
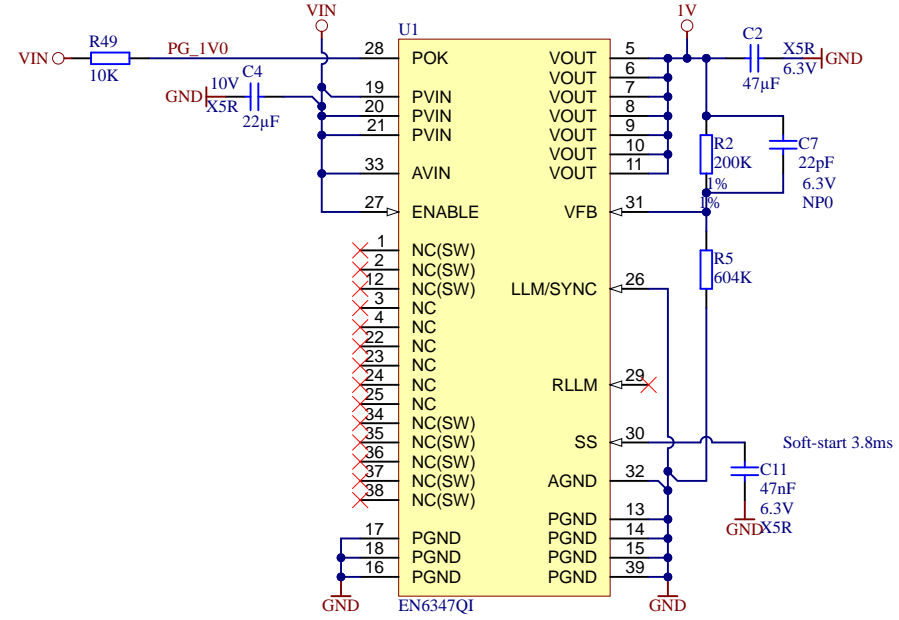
C

C

D

D

- VIN ○ TP1 ● Testpoint 0.8mm
- DDR_PWR ○ TP2 ● Testpoint 0.8mm
- 1.8V ○ TP3 ● Testpoint 0.8mm
- 3.3V ○ TP4 ● Testpoint 0.8mm
- VTT ○ TP5 ● Testpoint 0.8mm
- VTTREF ○ TP6 ● Testpoint 0.8mm
- 3.3VIN ○ TP7 ● Testpoint 0.8mm
- 1.2V_MGT ○ TP8 ● Testpoint 0.8mm
- 1V ○ TP9 ● Testpoint 0.8mm
- GND TP10 ● Testpoint 0.8mm
- GND TP11 ● Testpoint 0.8mm
- GND TP12 ● Testpoint 0.8mm
- GND TP14 ● Testpoint 0.8mm
- GND TP16 ● Testpoint 0.8mm
- GND TP17 ● Testpoint 0.8mm



Title: TE0715 - Power		
A4	Number: TE0715 51133-L	Rev. 04
Date: 2015-10-14	Copyright: Trenz Electronic GmbH / TT	Page 15 of 15
Filename: POWER.SchDoc		

1

2

3

4