

U_B2B-Connectors B2B-Connectors.SchDoc
U_B13 B13.SchDoc
U_B33-B34 B33-B34.SchDoc
U_B35 B35.SchDoc
U_DDR3-RAM DDR3-RAM.SchDoc
U_eMMC eMMC.SchDoc
U_ETH-PHY ETH-PHY.SchDoc

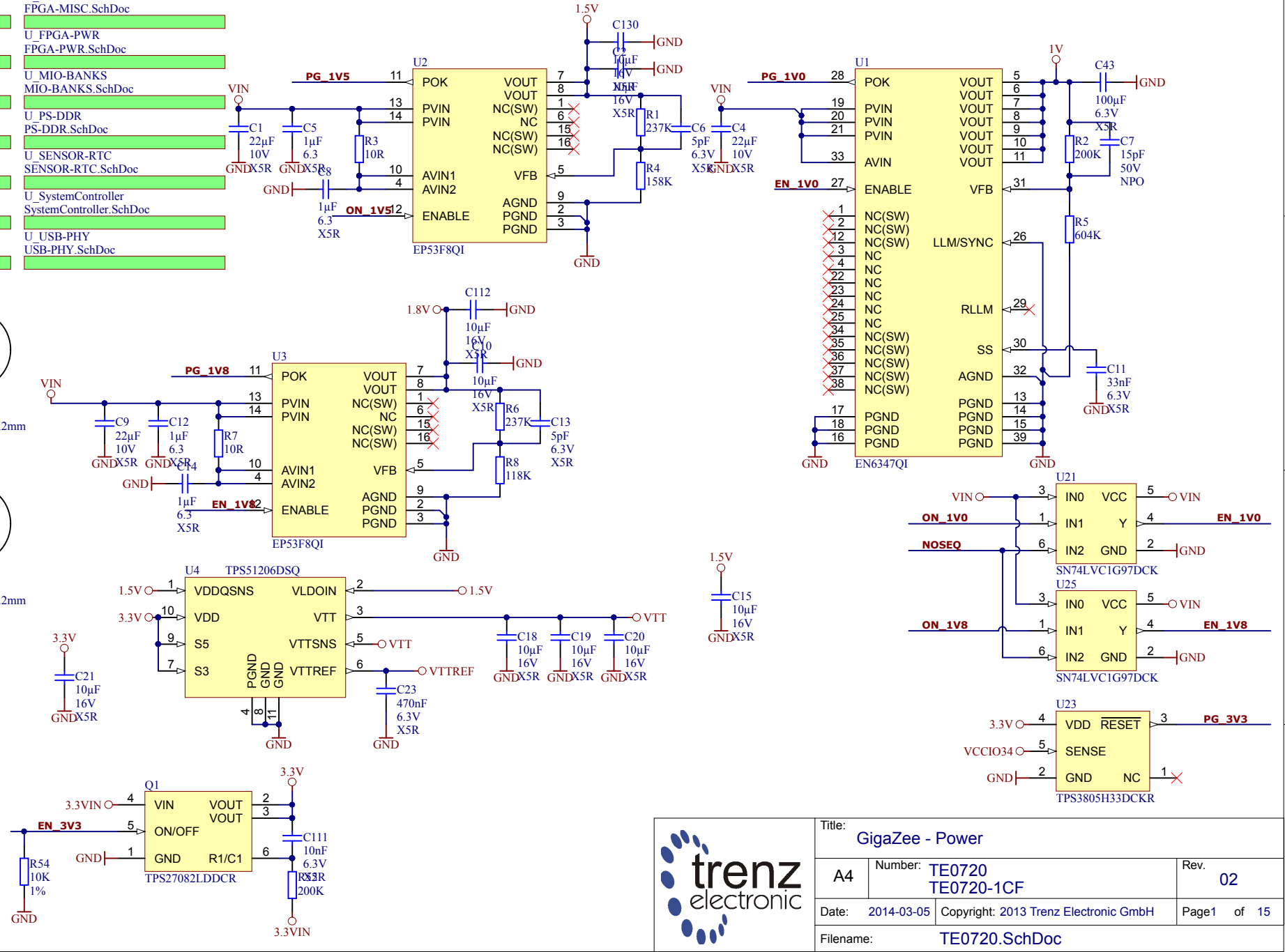
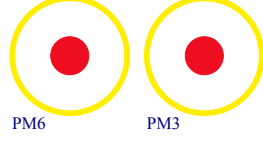
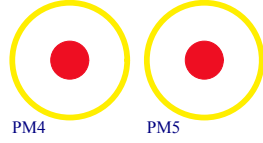
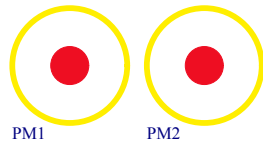
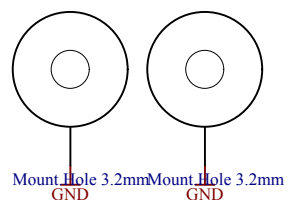
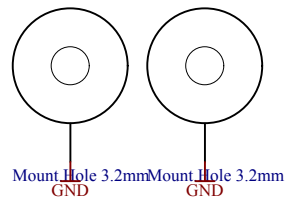
U_FPGA-MISC FPGA-MISC.SchDoc
U_FPGA-PWR FPGA-PWR.SchDoc
U_MIO-BANKS MIO-BANKS.SchDoc
U_PS-DDR PS-DDR.SchDoc
U_SENSOR-RTC SENSOR-RTC.SchDoc
U_SystemController SystemController.SchDoc
U_USB-PHY USB-PHY.SchDoc

A

B

C

D



Title: GigaZee - Power		
A4	Number: TE0720 TE0720-1CF	Rev. 02
Date: 2014-03-05	Copyright: 2013 Trenz Electronic GmbH	Page1 of 15
Filename: TE0720.SchDoc		

1

2

3

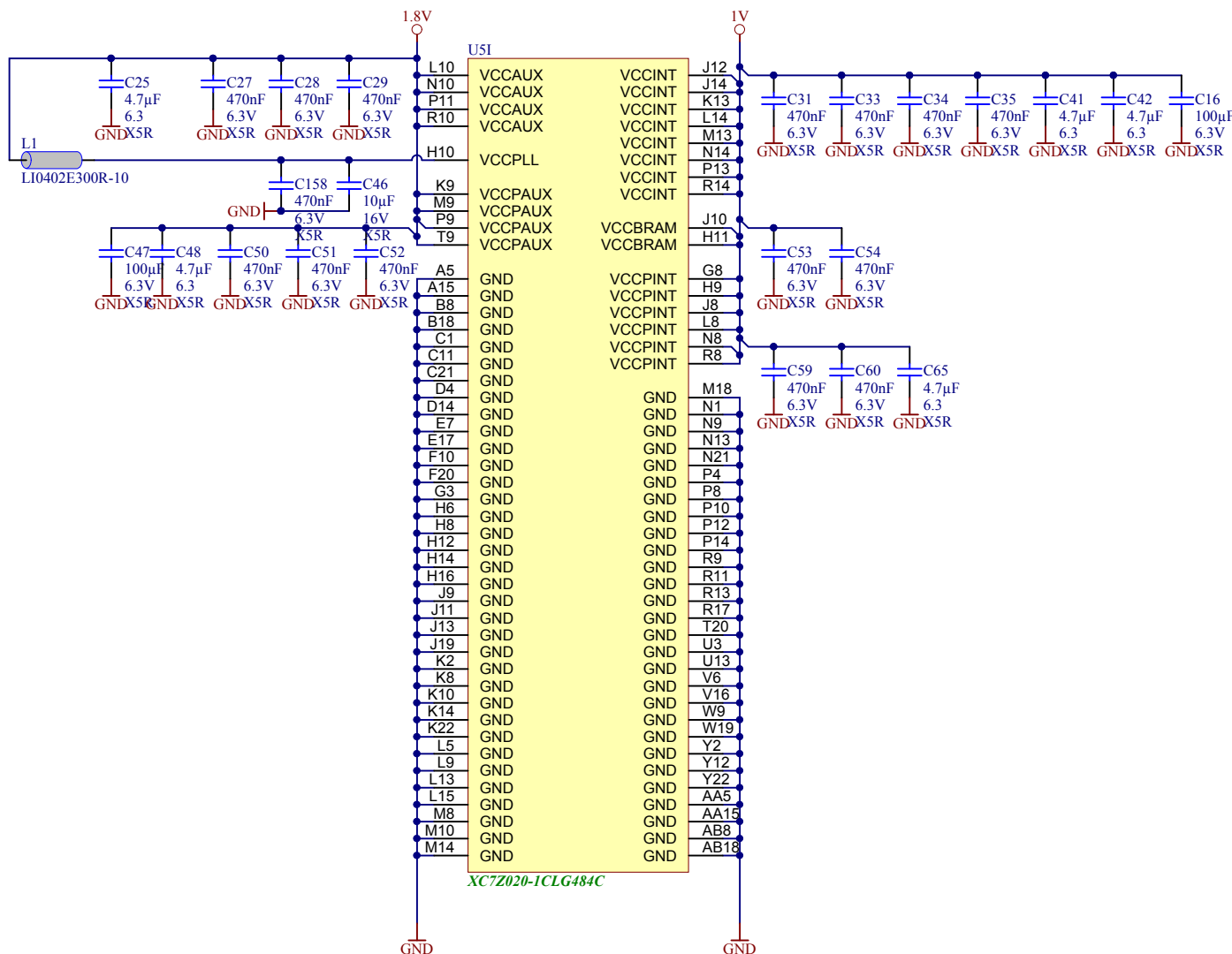
4


A

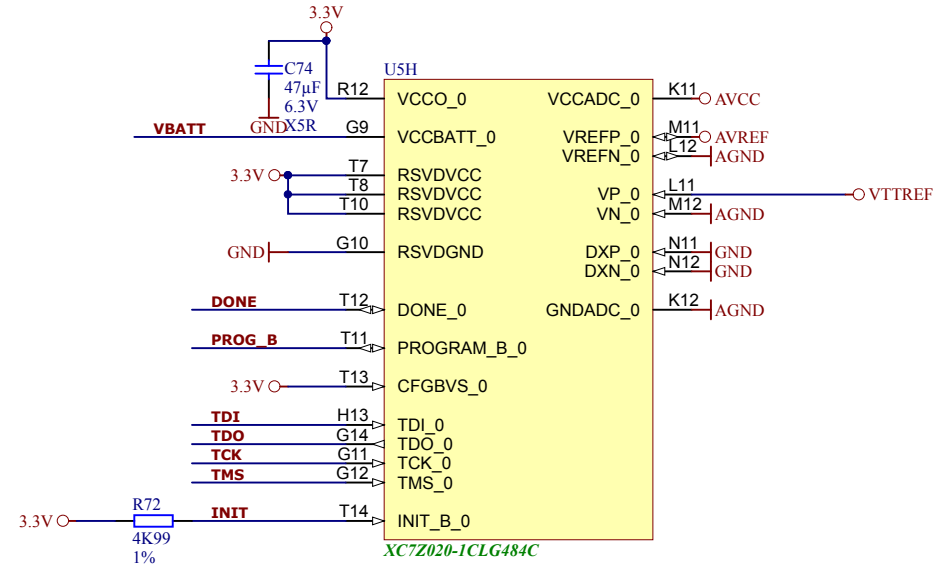
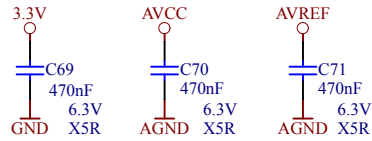
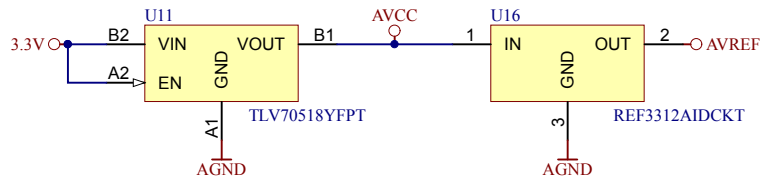
B

C

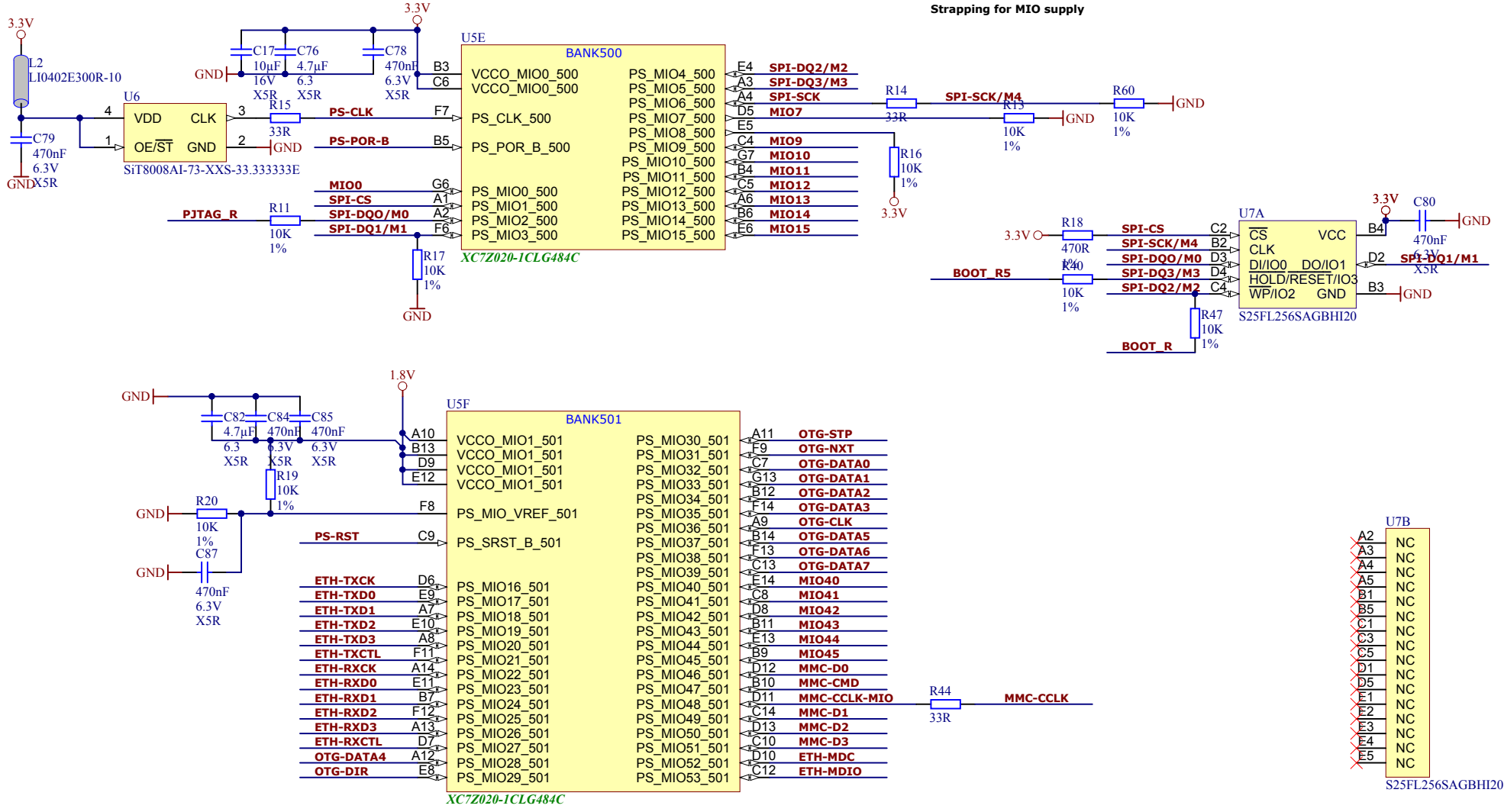
D



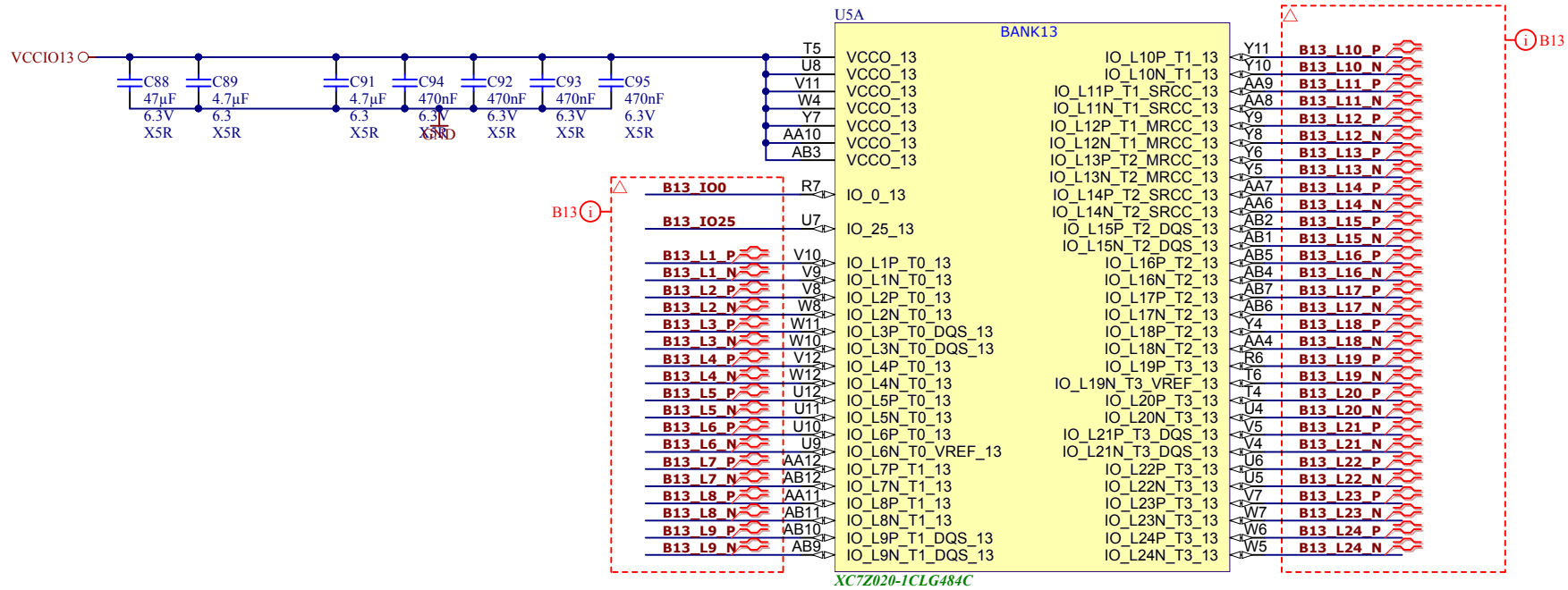
	Title: GigaZee - FPGA Power		
	A4	Number: TE0720 TE0720-1CF	Rev. 02
	Date: 2014-03-05	Copyright: 2013 Trenz Electronic GmbH	Page2 of 15
	Filename: FPGA-PWR.SchDoc		



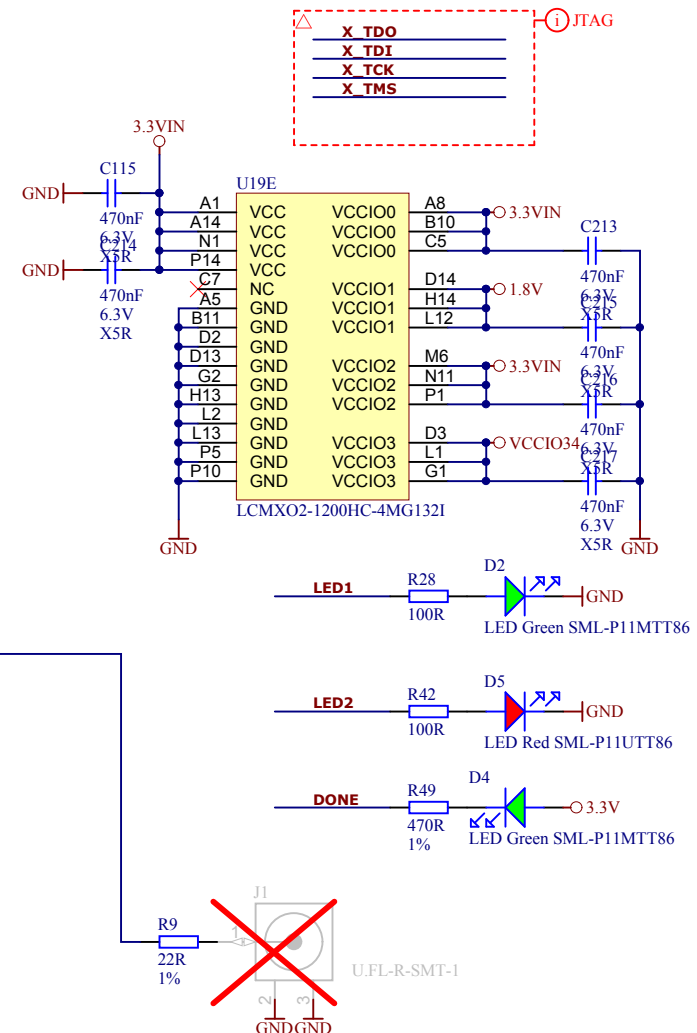
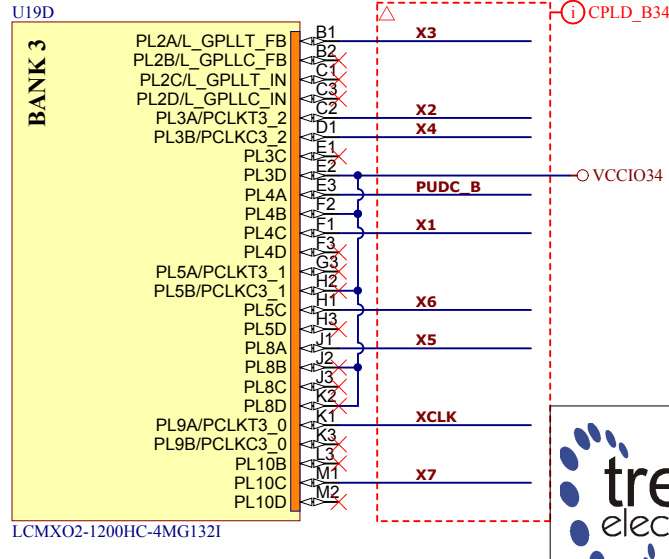
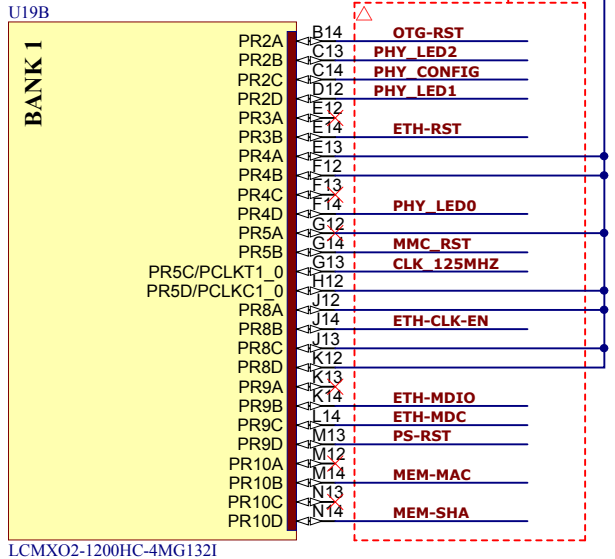
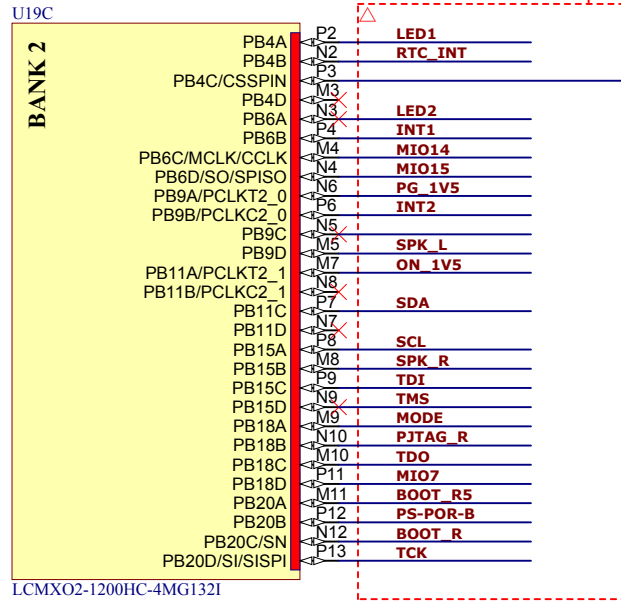
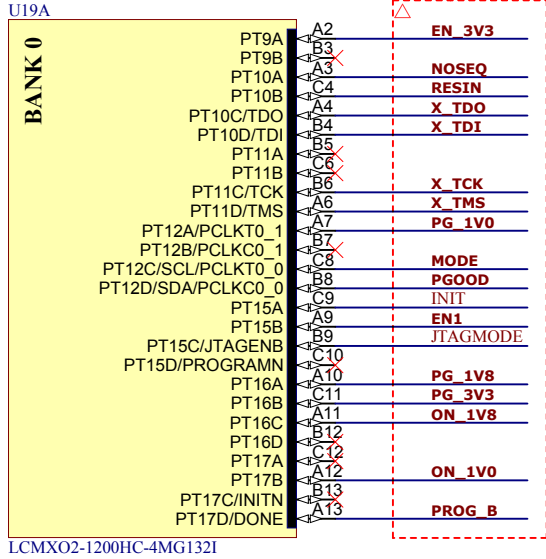
	Title: GigaZee - B0		
	A4	Number: TE0720 TE0720-1CF	Rev. 02
	Date: 2014-03-05	Copyright: 2013 Trenz Electronic GmbH	Page 3 of 15
	Filename: FPGA-MISC.SchDoc		



	Title: GigaZee - MIO - Config		
	A4	Number: TE0720 TE0720-1CF	Rev. 02
	Date: 2014-03-05	Copyright: 2013 Trenz Electronic GmbH	Page4 of 15
	Filename: MIO-BANKS.SchDoc		



	Title: GigaZee - B13	
	A4	Number: TE0720 TE0720-1CF
	Date: 2014-03-05	Copyright: 2013 Trenz Electronic GmbH
	Filename: B13.SchDoc	



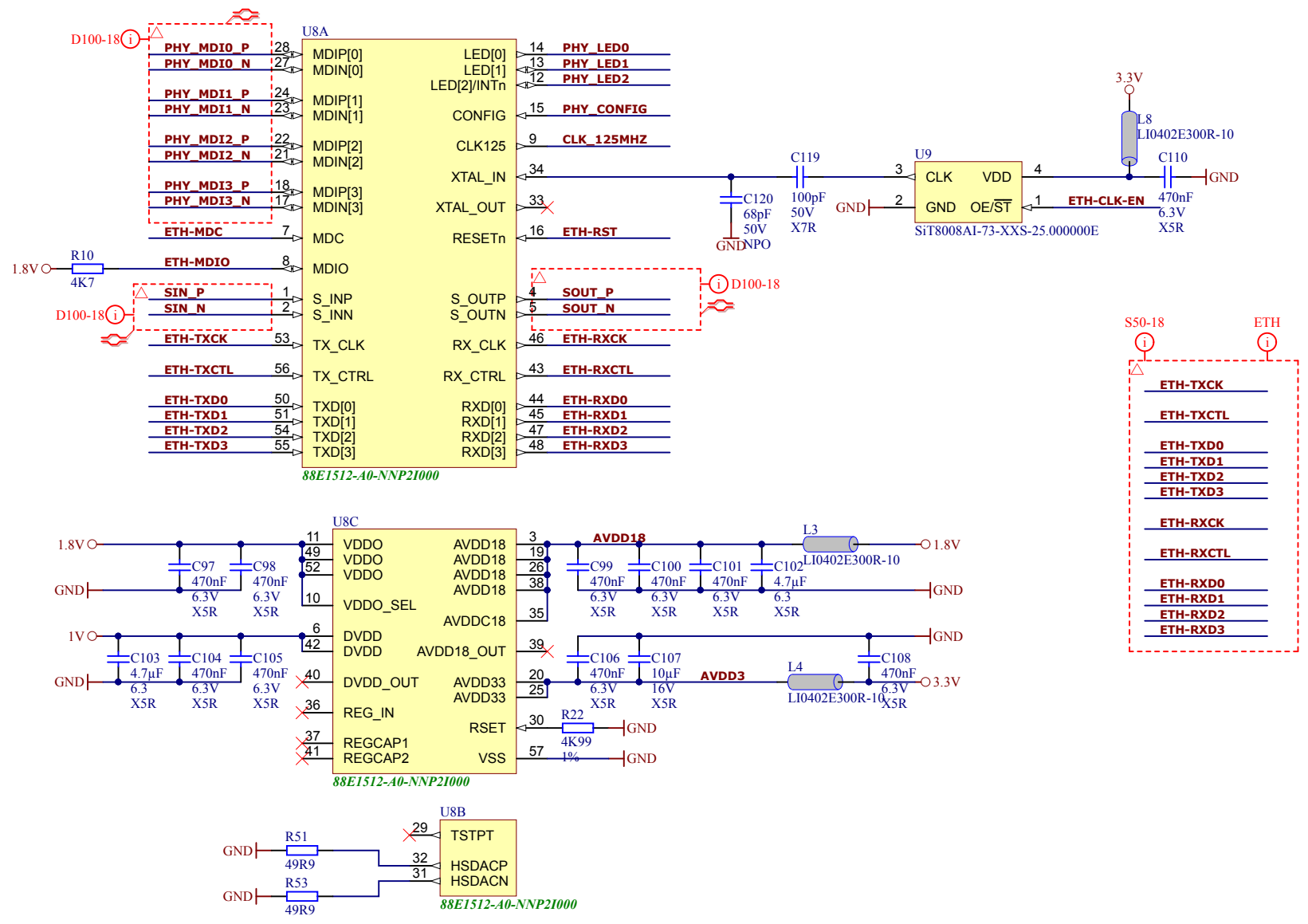
Title: GigaZee - System Controller		
A4	Number: TE0720 TE0720-1CF	Rev. 02
Date: 2014-03-05	Copyright: 2013 Trenz Electronic GmbH	Page6 of 15
Filename: SystemController.SchDoc		

A

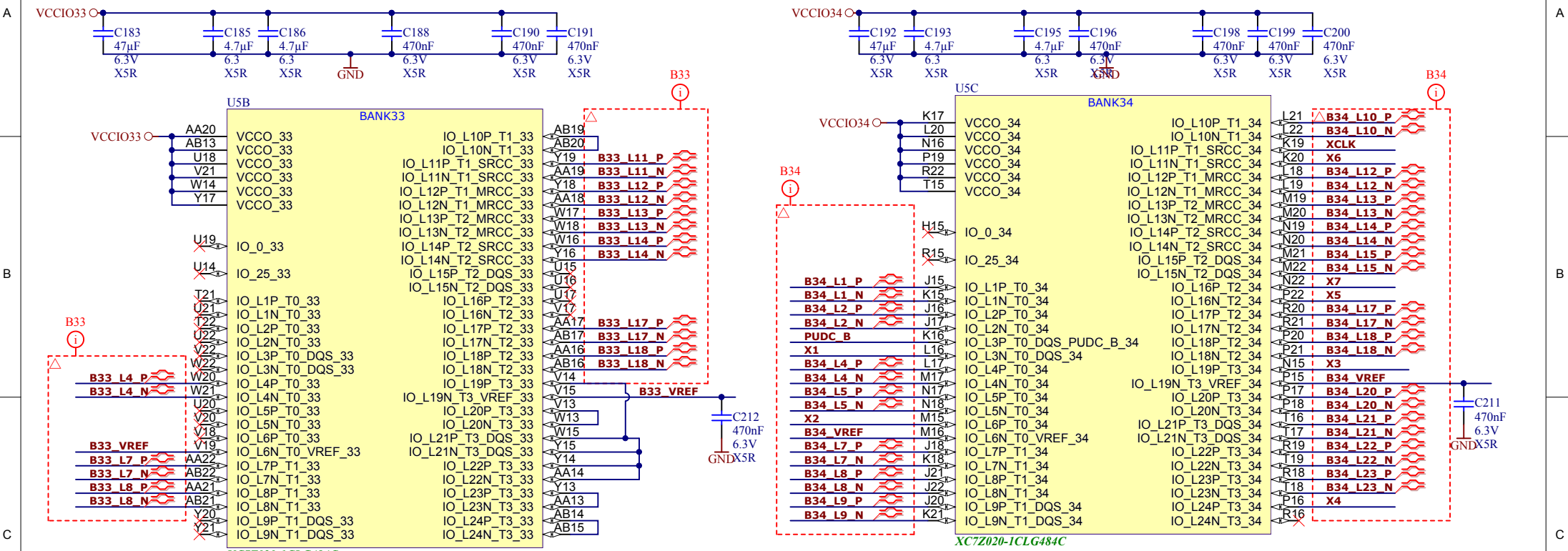
B

C

D



Title: GigaZee - Ethernet		
A4	Number: TE0720 TE0720-1CF	Rev. 02
Date: 2014-03-05	Copyright: 2013 Trenz Electronic GmbH	Page 7 of 15
Filename: ETH-PHY.SchDoc		

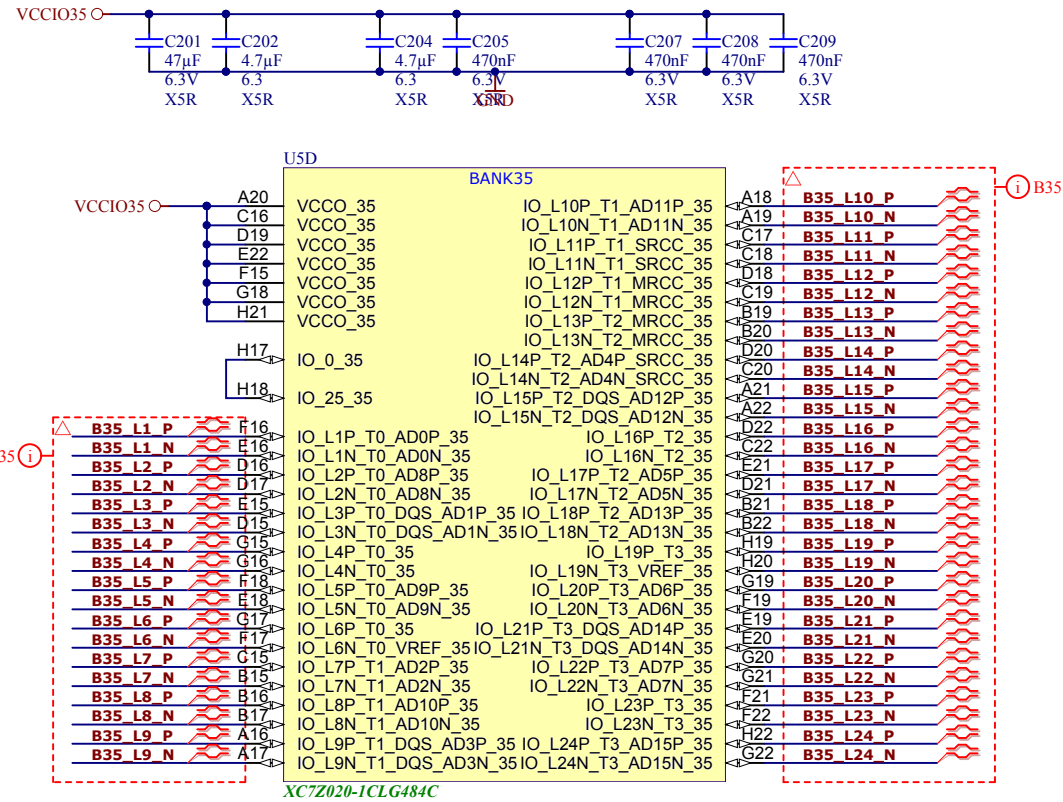


XC7Z020-1CLG484C

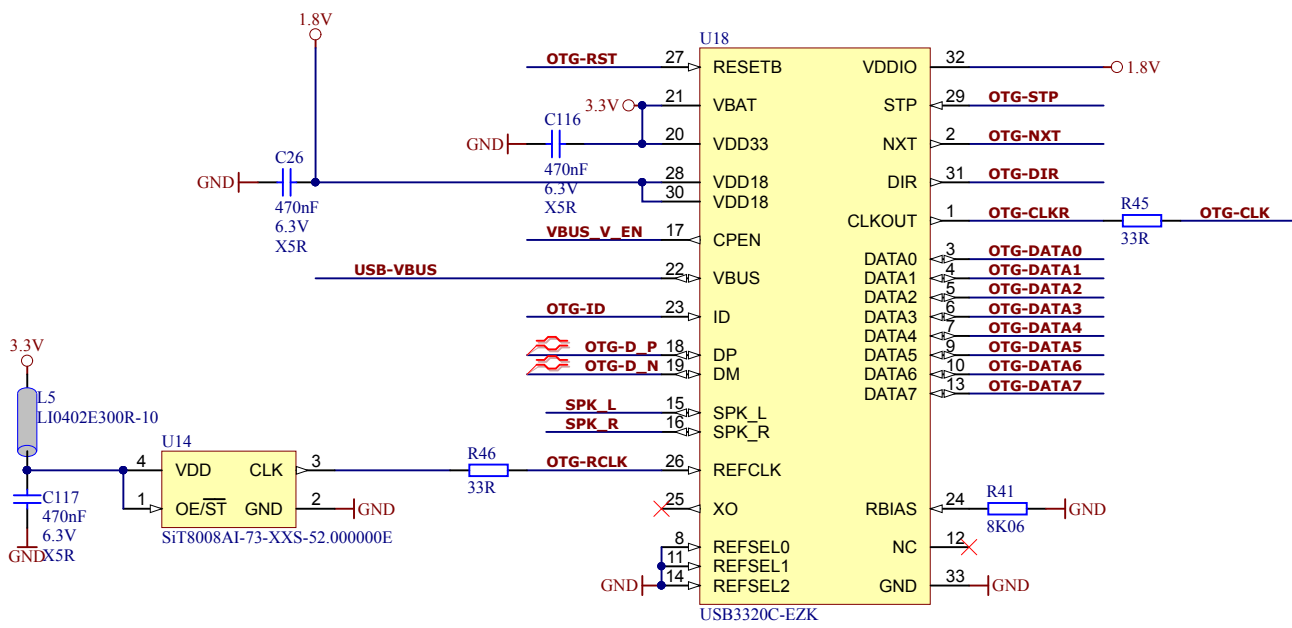
XC7Z020-1CLG484C

trenz electronic

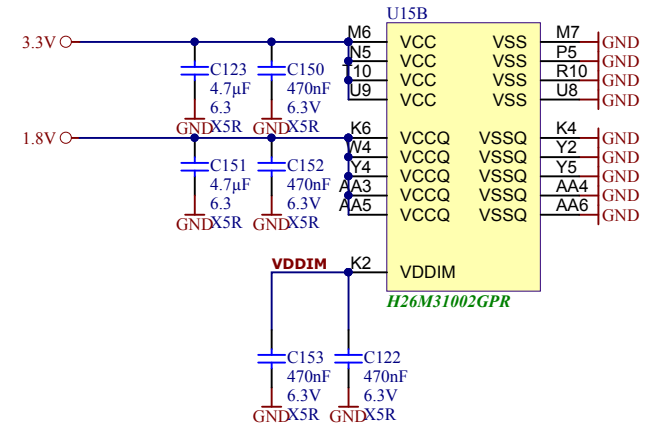
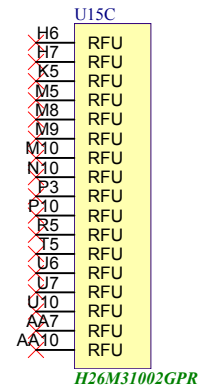
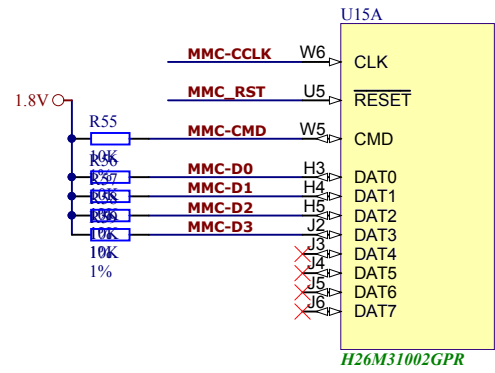
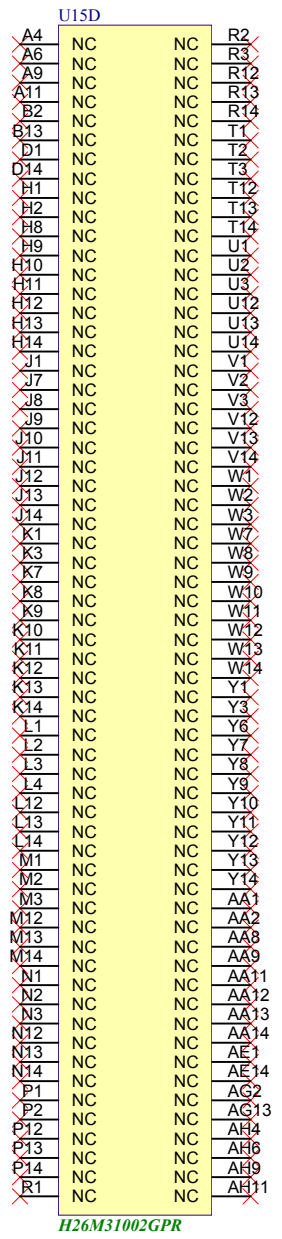
Title: GigaZee - B33 - B34		
A4	Number: TE0720 TE0720-1CF	Rev. 02
Date: 2014-03-05	Copyright: 2013 Trenz Electronic GmbH	Page 8 of 15
Filename: B33-B34.SchDoc		



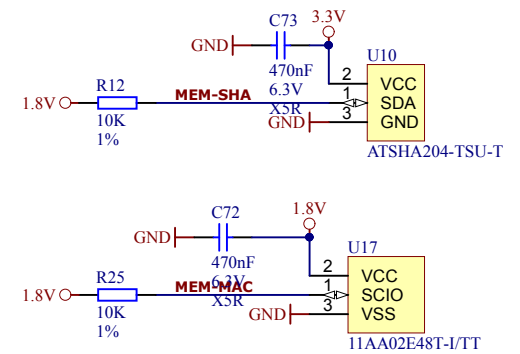
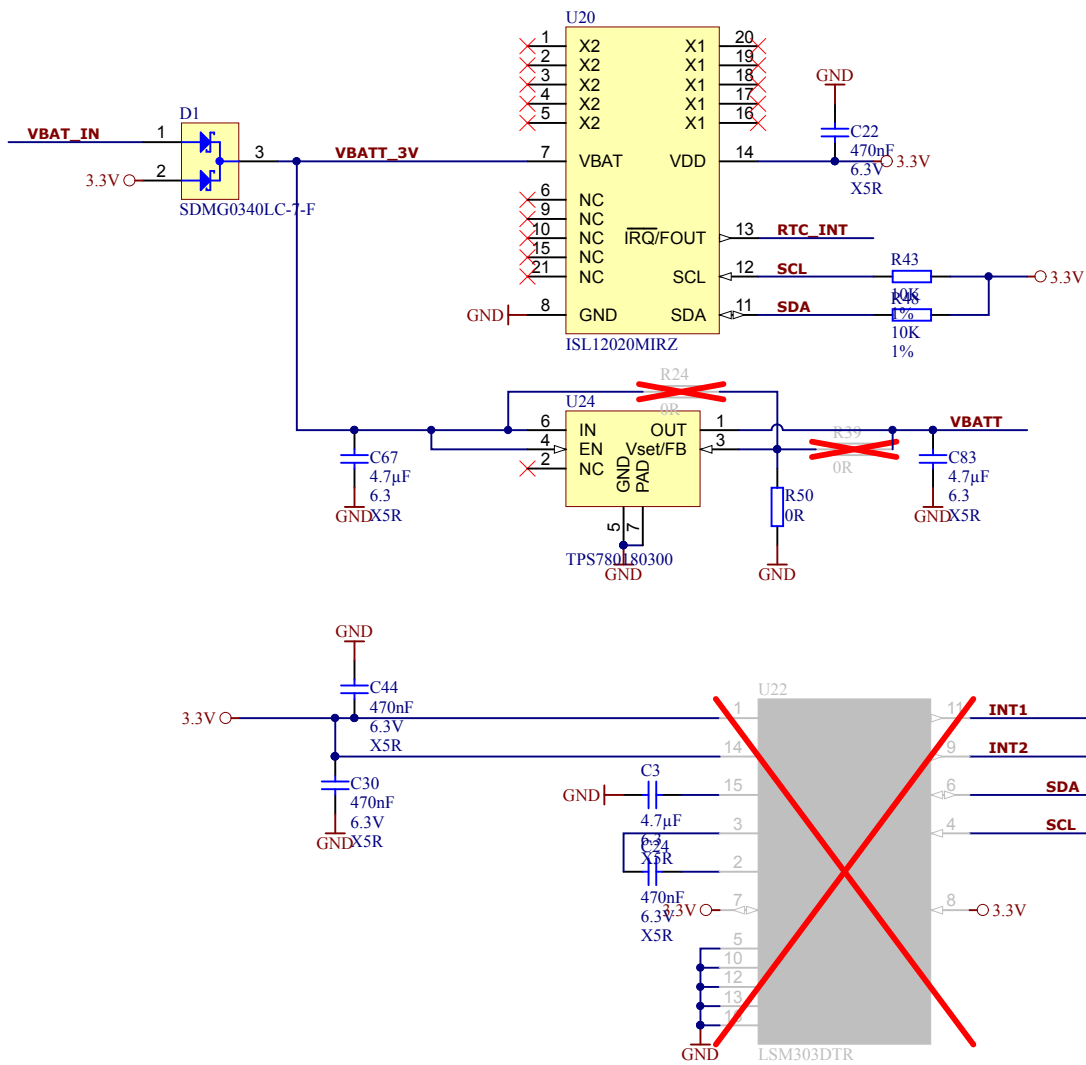
Title: GigaZee - B35		
A4	Number: TE0720 TE0720-1CF	Rev. 02
Date: 2014-03-05	Copyright: 2013 Trenz Electronic GmbH	Page9 of 15
Filename: B35.SchDoc		




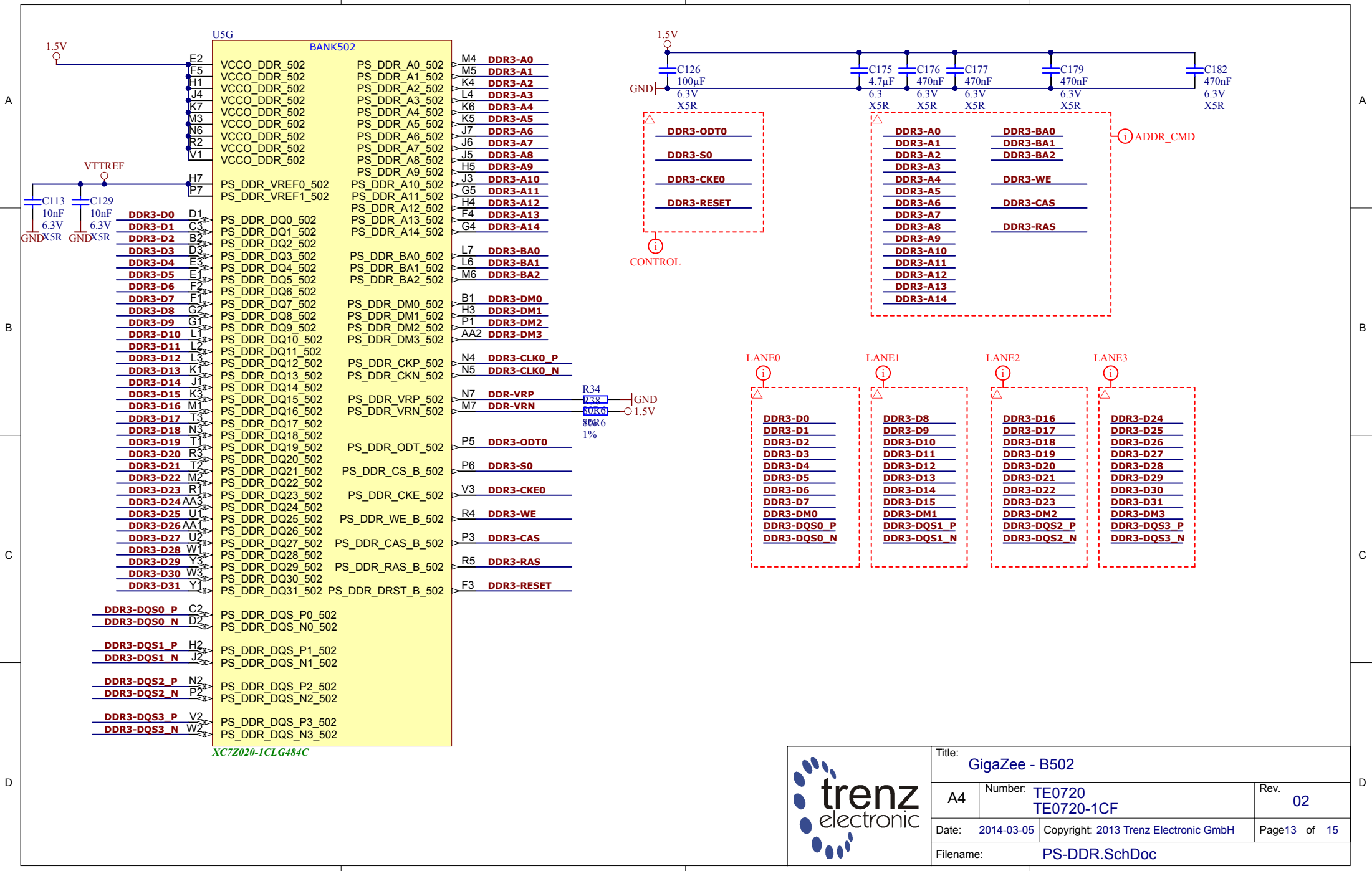
	Title: GigaZee - USB	
	A4	Number: TE0720 TE0720-1CF
	Date: 2014-03-05	Copyright: 2013 Trenz Electronic GmbH
	Rev. 02	Page 10 of 15
Filename: USB-PHY.SchDoc		



Title: GigaZee - eNAND		
A4	Number: TE0720 TE0720-1CF	Rev. 02
Date: 2014-03-05	Copyright: 2013 Trenz Electronic GmbH	Page 11 of 15
Filename: eMMC.SchDoc		



			Title: GigaZee - RTC, MEMS, SHA, MAC	
			A4	Number: TE0720 TE0720-1CF
Date: 2014-03-05		Copyright: 2013 Trenz Electronic GmbH		Page 12 of 15
Filename: SENSOR-RTC.SchDoc				



USG

BANK502

VCCO_DDR_502 PS_DDR_A0_502

VCCO_DDR_502 PS_DDR_A1_502

VCCO_DDR_502 PS_DDR_A2_502

VCCO_DDR_502 PS_DDR_A3_502

VCCO_DDR_502 PS_DDR_A4_502

VCCO_DDR_502 PS_DDR_A5_502

VCCO_DDR_502 PS_DDR_A6_502

VCCO_DDR_502 PS_DDR_A7_502

VCCO_DDR_502 PS_DDR_A8_502

VCCO_DDR_502 PS_DDR_A9_502

VCCO_DDR_502 PS_DDR_A10_502

VCCO_DDR_502 PS_DDR_A11_502

VCCO_DDR_502 PS_DDR_A12_502

VCCO_DDR_502 PS_DDR_A13_502

VCCO_DDR_502 PS_DDR_A14_502

PS_DDR_VREF0_502 PS_DDR_A0_502

PS_DDR_VREF1_502 PS_DDR_A1_502

PS_DDR_DQ0_502 PS_DDR_BA0_502

PS_DDR_DQ1_502 PS_DDR_BA1_502

PS_DDR_DQ2_502 PS_DDR_BA2_502

PS_DDR_DQ3_502 PS_DDR_DM0_502

PS_DDR_DQ4_502 PS_DDR_DM1_502

PS_DDR_DQ5_502 PS_DDR_DM2_502

PS_DDR_DQ6_502 PS_DDR_DM3_502

PS_DDR_DQ7_502 PS_DDR_CKP_502

PS_DDR_DQ8_502 PS_DDR_CKN_502

PS_DDR_DQ9_502 PS_DDR_VRP_502

PS_DDR_DQ10_502 PS_DDR_VRN_502

PS_DDR_DQ11_502 PS_DDR_VRN_502

PS_DDR_DQ12_502 PS_DDR_VRN_502

PS_DDR_DQ13_502 PS_DDR_VRN_502

PS_DDR_DQ14_502 PS_DDR_VRN_502

PS_DDR_DQ15_502 PS_DDR_VRN_502

PS_DDR_DQ16_502 PS_DDR_VRN_502

PS_DDR_DQ17_502 PS_DDR_VRN_502

PS_DDR_DQ18_502 PS_DDR_VRN_502

PS_DDR_DQ19_502 PS_DDR_VRN_502

PS_DDR_DQ20_502 PS_DDR_VRN_502

PS_DDR_DQ21_502 PS_DDR_VRN_502

PS_DDR_DQ22_502 PS_DDR_VRN_502

PS_DDR_DQ23_502 PS_DDR_VRN_502

PS_DDR_DQ24_502 PS_DDR_VRN_502

PS_DDR_DQ25_502 PS_DDR_VRN_502

PS_DDR_DQ26_502 PS_DDR_VRN_502

PS_DDR_DQ27_502 PS_DDR_VRN_502

PS_DDR_DQ28_502 PS_DDR_VRN_502

PS_DDR_DQ29_502 PS_DDR_VRN_502

PS_DDR_DQ30_502 PS_DDR_VRN_502

PS_DDR_DQ31_502 PS_DDR_VRN_502

VTTREF

C113 10nF 6.3V

C129 10nF 6.3V

GND X5R

1.5V

C126 100µF 6.3V X5R

GND

C175 4.7µF 6.3V X5R

C176 470nF 6.3V X5R

C177 470nF 6.3V X5R

C179 470nF 6.3V X5R

C182 470nF 6.3V X5R

CONTROL

DDR3-ODT0

DDR3-S0

DDR3-CKE0

DDR3-RESET

DDR3-A0

DDR3-A1

DDR3-A2

DDR3-A3

DDR3-A4

DDR3-A5

DDR3-A6

DDR3-A7

DDR3-A8

DDR3-A9

DDR3-A10

DDR3-A11

DDR3-A12

DDR3-A13

DDR3-A14

DDR3-BA0

DDR3-BA1

DDR3-BA2

DDR3-WE

DDR3-CAS

DDR3-RAS

ADDR_CMD

LANE0

LANE1

LANE2

LANE3

DDR3-D0

DDR3-D1

DDR3-D2

DDR3-D3

DDR3-D4

DDR3-D5

DDR3-D6

DDR3-D7

DDR3-DM0

DDR3-DQS0_P

DDR3-DQS0_N

DDR3-D8

DDR3-D9

DDR3-D10

DDR3-D11

DDR3-D12

DDR3-D13

DDR3-D14

DDR3-D15

DDR3-DM1

DDR3-DQS1_P

DDR3-DQS1_N

DDR3-D16

DDR3-D17

DDR3-D18

DDR3-D19

DDR3-D20

DDR3-D21

DDR3-D22

DDR3-D23

DDR3-DM2

DDR3-DQS2_P

DDR3-DQS2_N

DDR3-D24

DDR3-D25

DDR3-D26

DDR3-D27

DDR3-D28

DDR3-D29

DDR3-D30

DDR3-D31

DDR3-DM3

DDR3-DQS3_P

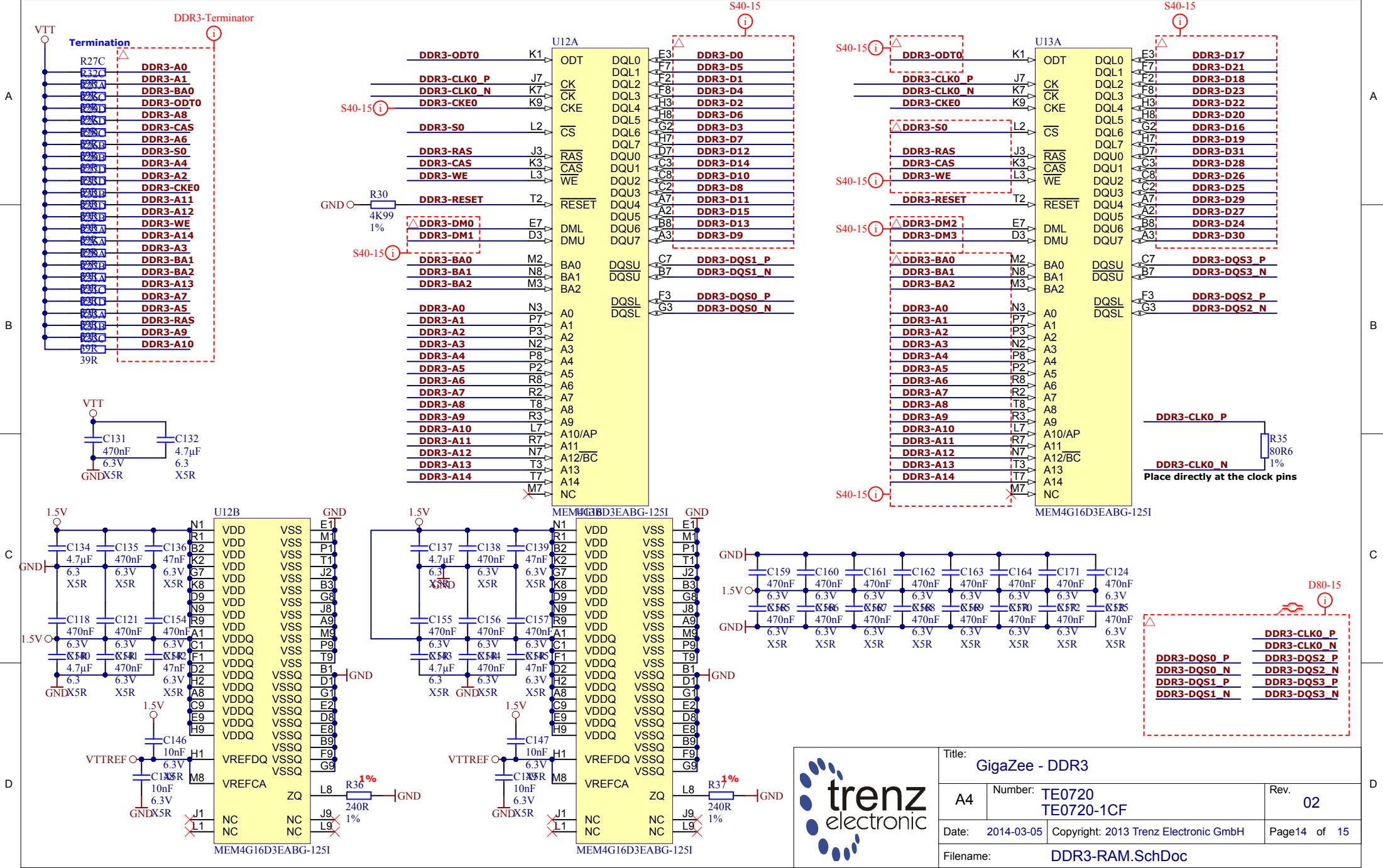
DDR3-DQS3_N

R34

1% 1.5V

XC7Z020-1CLG484C

	Title: GigaZee - B502		
	A4	Number: TE0720 TE0720-1CF	Rev. 02
	Date: 2014-03-05	Copyright: 2013 Trenz Electronic GmbH	Page13 of 15
	Filename: PS-DDR.SchDoc		

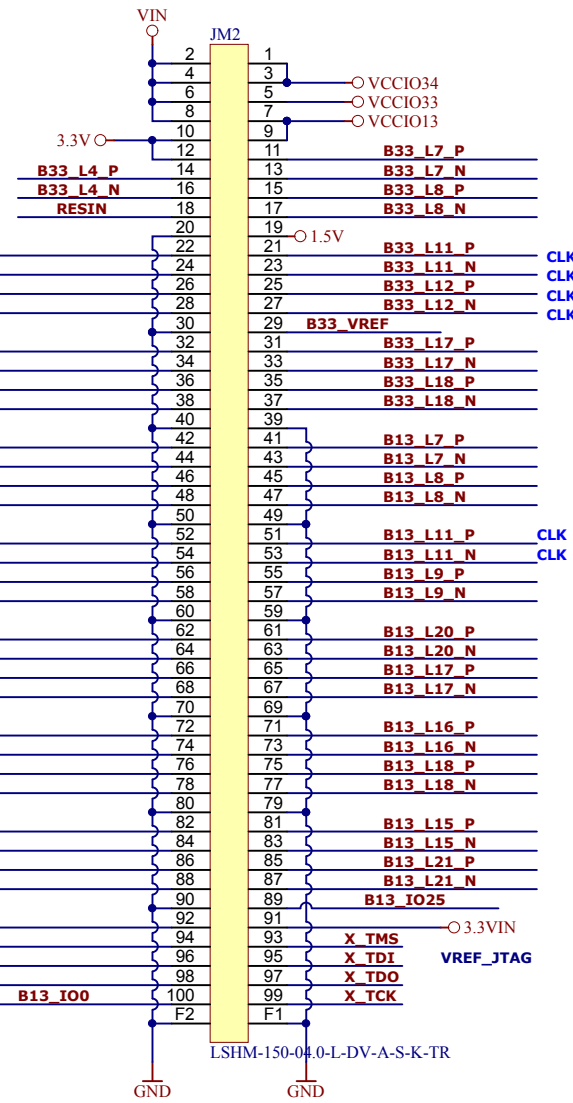
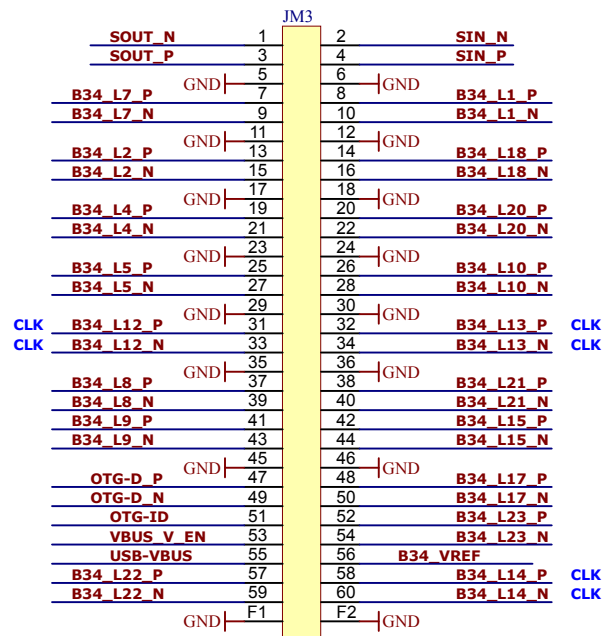
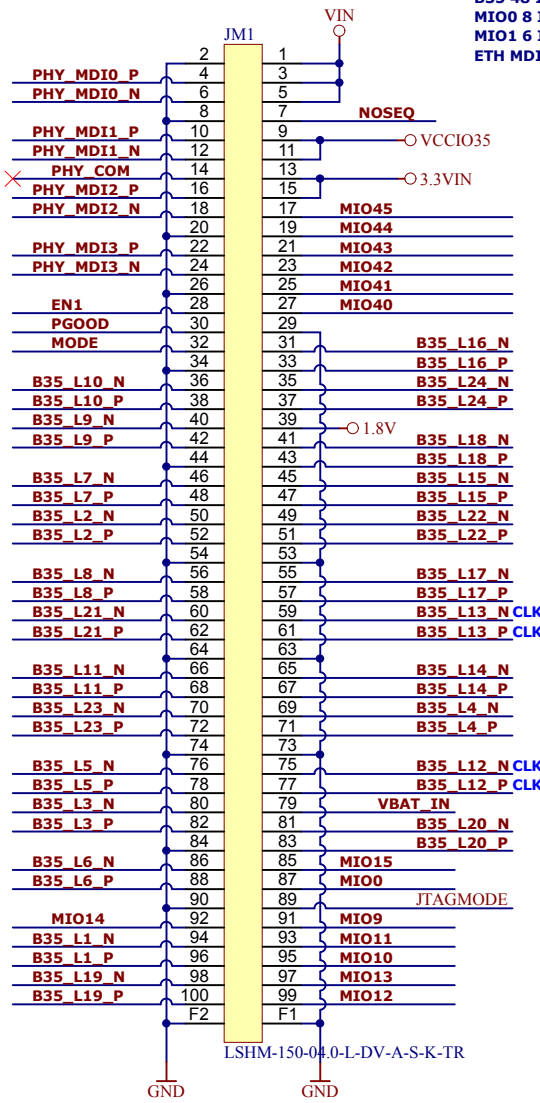


Title: GigaZee - DDR3		
A4	Number: TE0720 TE0720-1CF	Rev. 02
Date: 2014-03-05	Copyright: 2013 Trenz Electronic GmbH	Page 14 of 15
Filename: DDR3-RAM.SchDoc		

B35 48 IO, 24 LVDS Pairs
 MIO0 8 IO, 3.3V
 MIO1 6 IO 1.8V
 ETH MDI Copper

B34 36 IO, 18 LVDS Pairs
 USB OTG
 ETH SGMII

B33 18 IO, 9 LVDS Pairs
 B13 48 IO, 24 LVDS Pairs
 B13 2 IO



Title: GigaZee - B2B Connector		
A4	Number: TE0720 TE0720-1CF	Rev. 02
Date: 2014-03-05	Copyright: 2013 Trenz Electronic GmbH	Page 15 of 15
Filename: B2B-Connectors.SchDoc		