

U_B2B-Connectors B2B-Connectors.SchDoc
U_B13 B13.SchDoc
U_B33-B34 B33-B34.SchDoc
U_B35 B35.SchDoc
U_DDR3-RAM DDR3-RAM.SchDoc
U_eMMC eMMC.SchDoc
U_ETH-PHY ETH-PHY.SchDoc

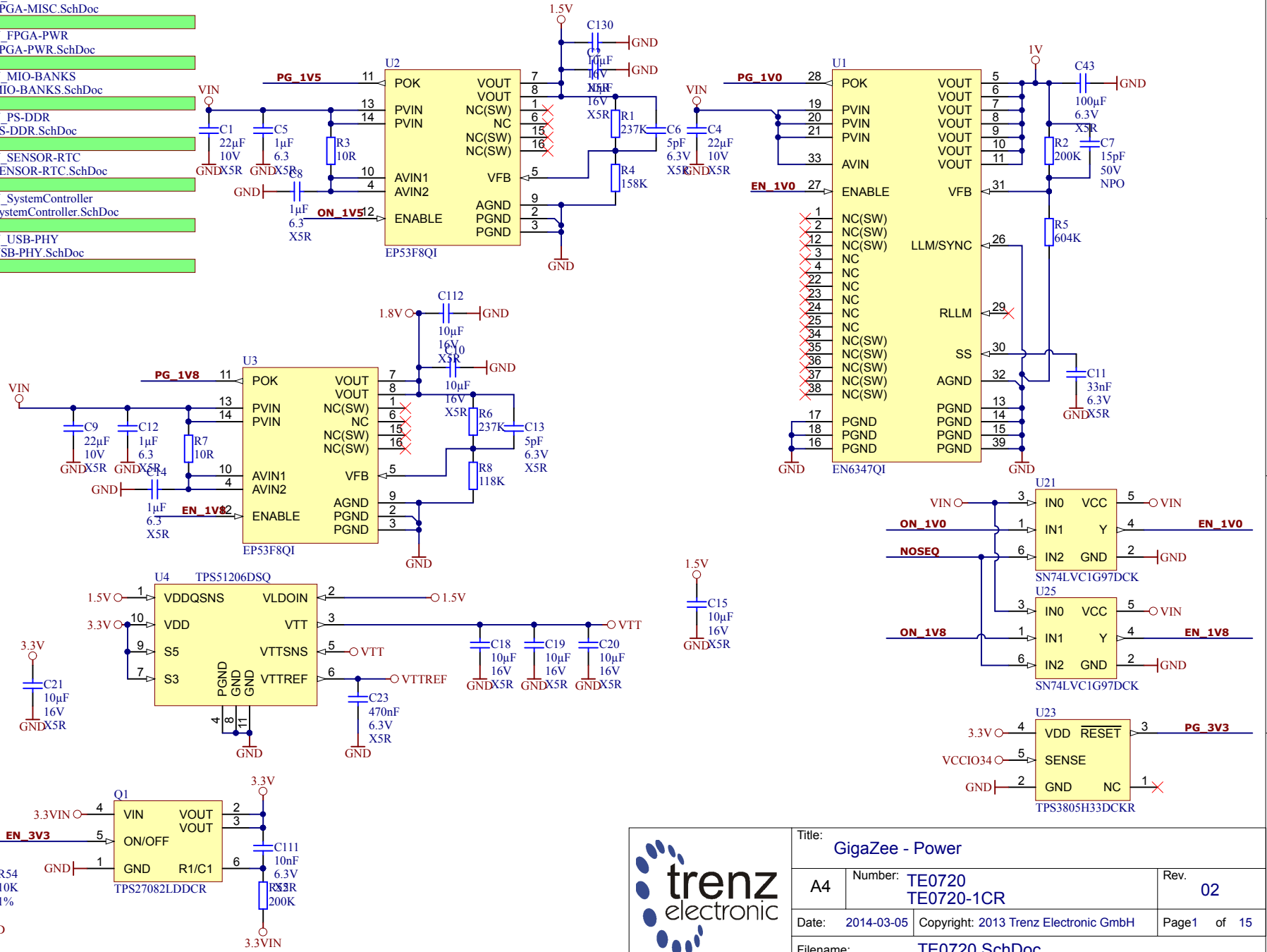
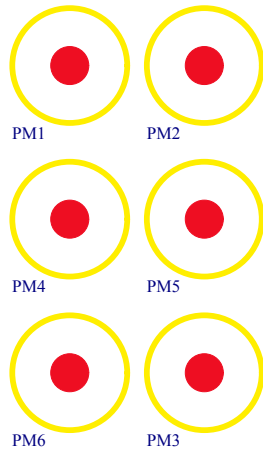
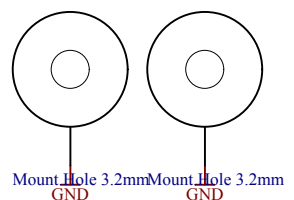
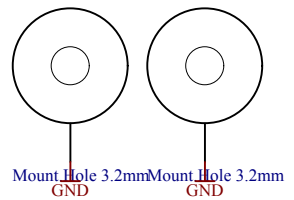
U_FPGA-MISC FPGA-MISC.SchDoc
U_FPGA-PWR FPGA-PWR.SchDoc
U_MIO-BANKS MIO-BANKS.SchDoc
U_PS-DDR PS-DDR.SchDoc
U_SENSOR-RTC SENSOR-RTC.SchDoc
U_SystemController SystemController.SchDoc
U_USB-PHY USB-PHY.SchDoc

A

B

C

D



A

B

C

D



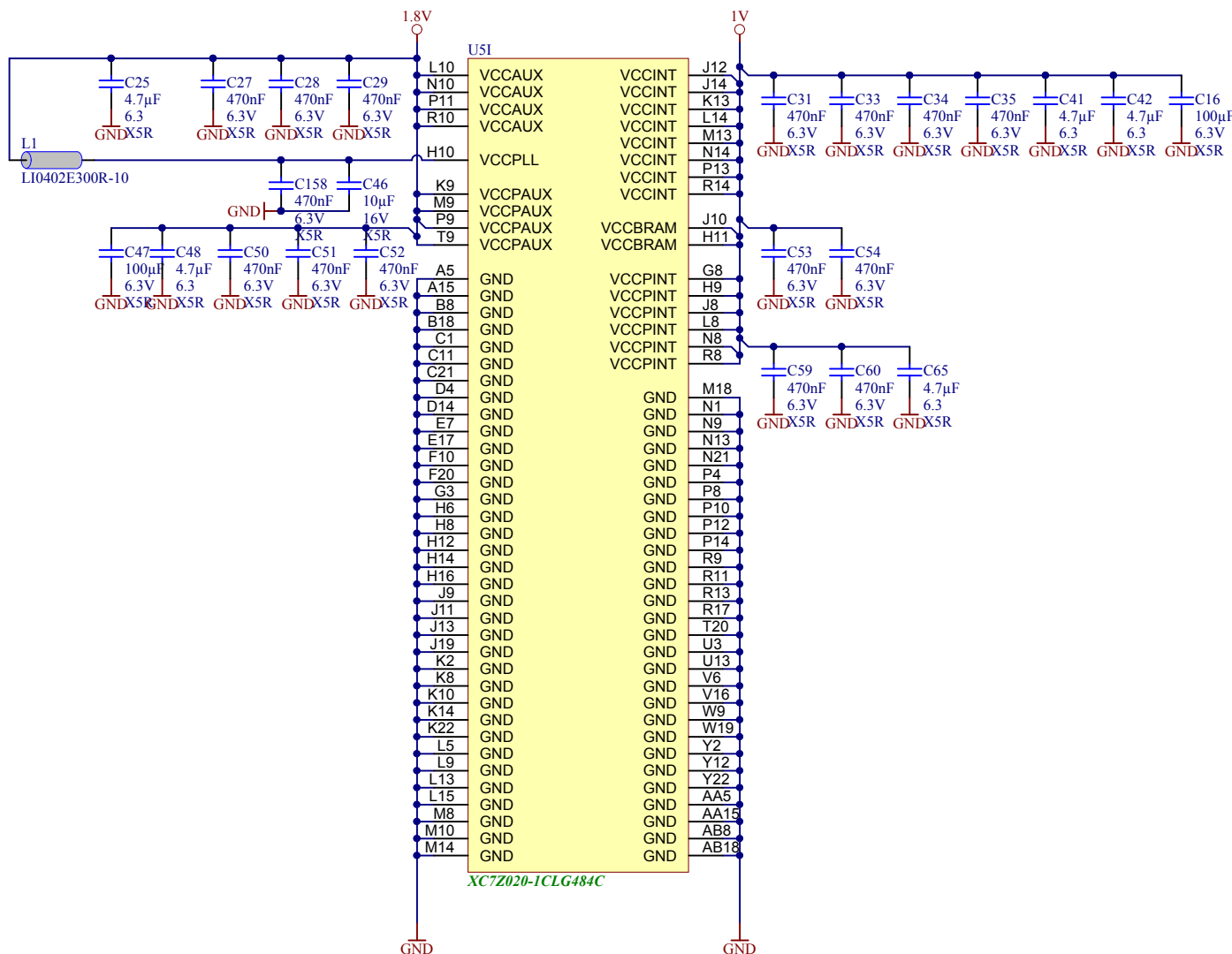
Title: GigaZee - Power		
A4	Number: TE0720 TE0720-1CR	Rev. 02
Date: 2014-03-05	Copyright: 2013 Trenz Electronic GmbH	Page1 of 15
Filename: TE0720.SchDoc		


1

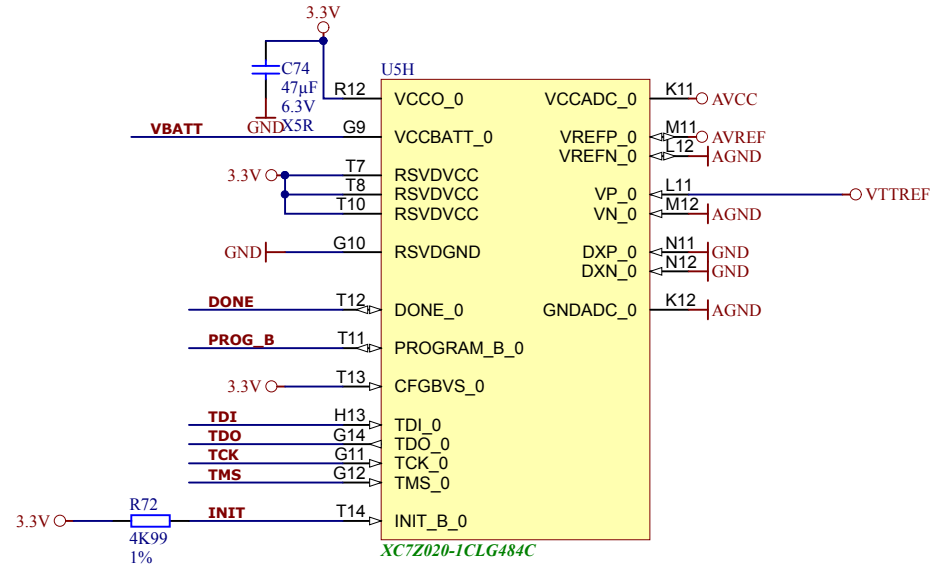
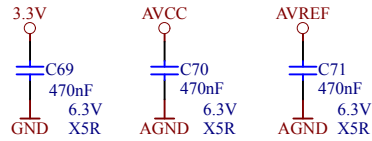
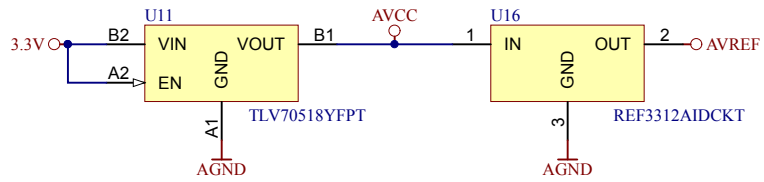
2

3

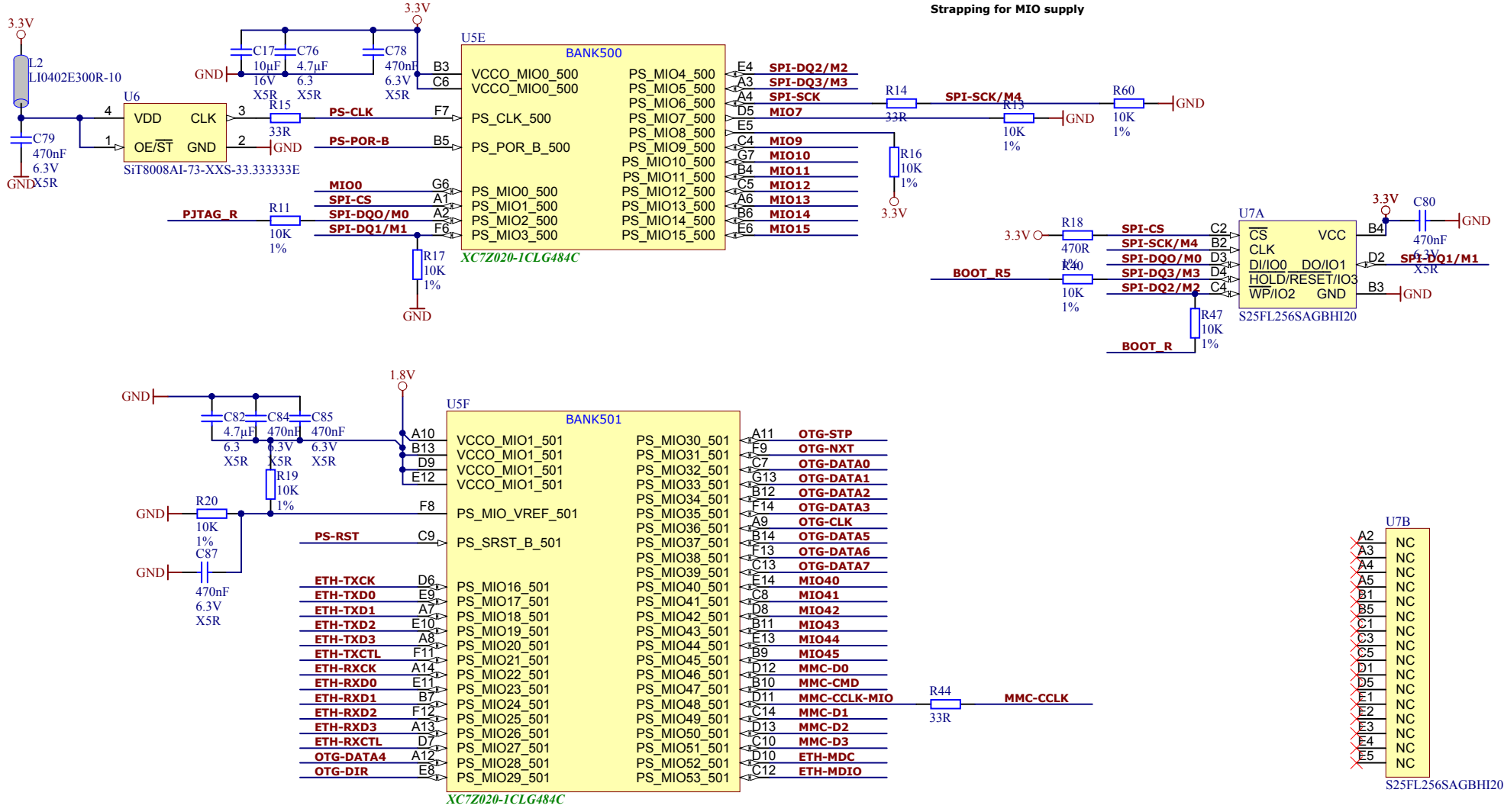
4



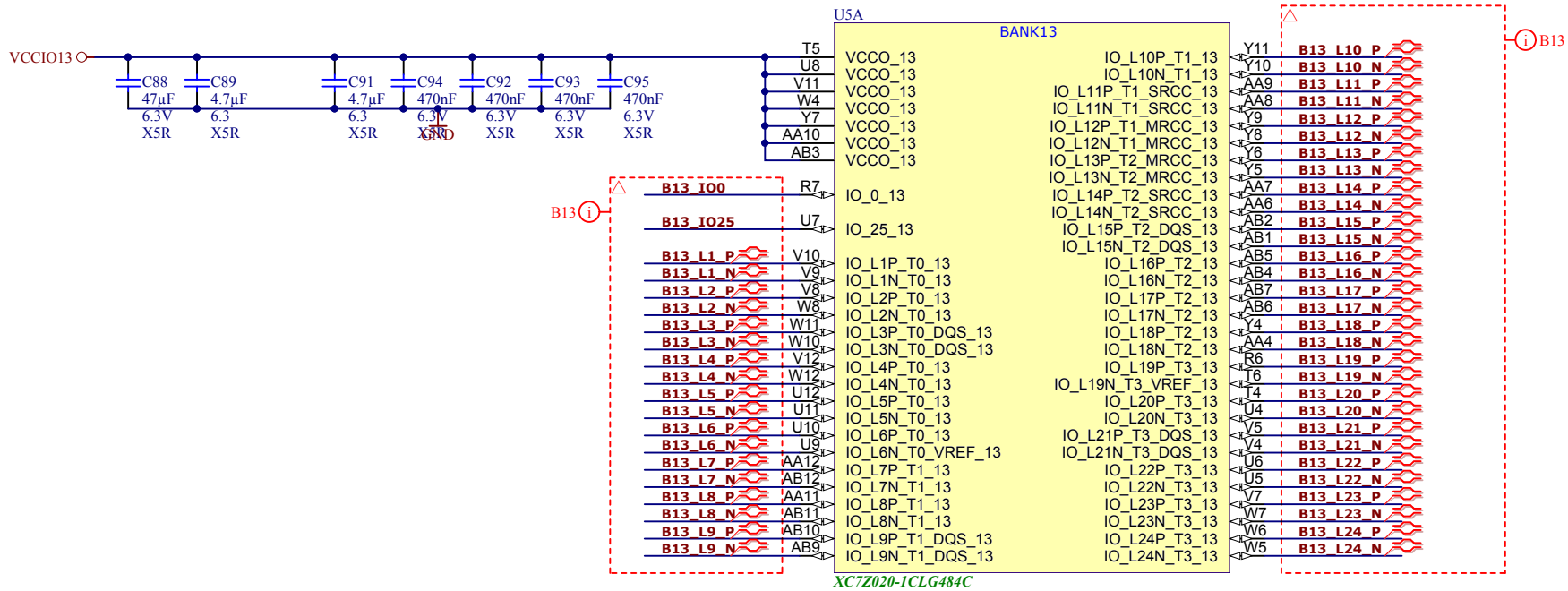
		Title: GigaZee - FPGA Power	
		A4	Number: TE0720 TE0720-1CR
Date: 2014-03-05		Copyright: 2013 Trenz Electronic GmbH	
Filename: FPGA-PWR.SchDoc		Page2 of 15	




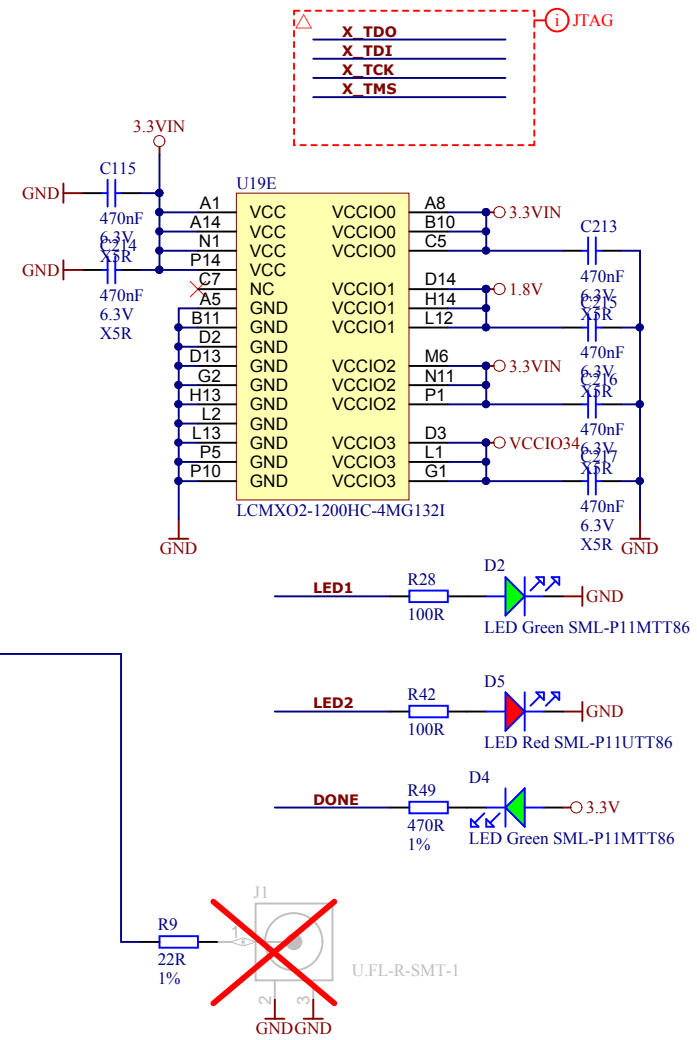
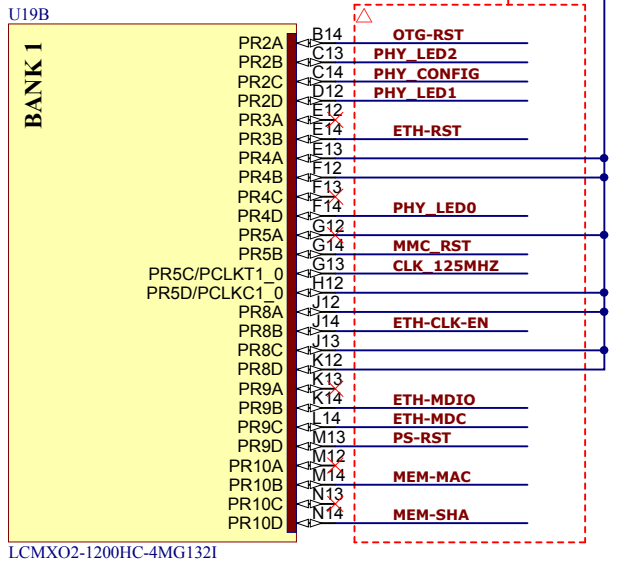
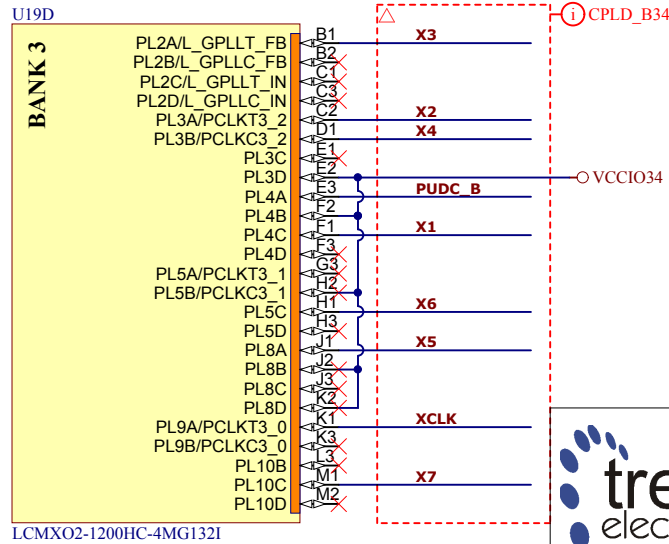
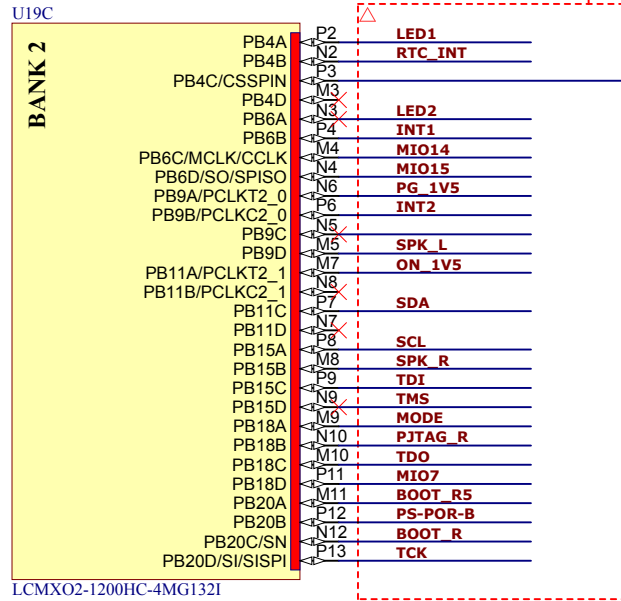
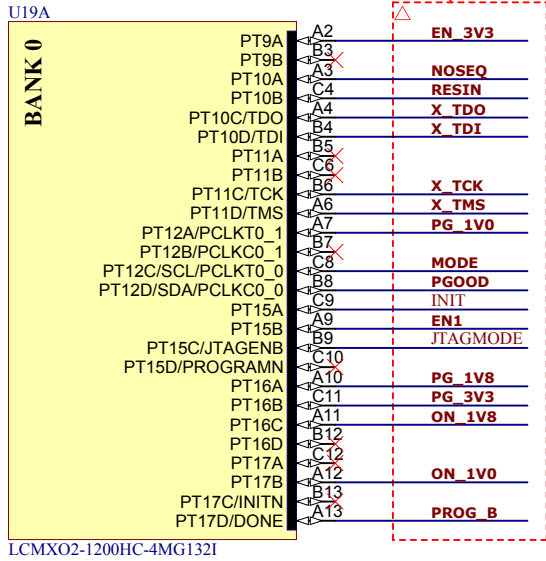
Title: GigaZee - B0		
A4	Number: TE0720 TE0720-1CR	Rev. 02
Date: 2014-03-05	Copyright: 2013 Trenz Electronic GmbH	Page 3 of 15
Filename: FPGA-MISC.SchDoc		




Title: GigaZee - MIO - Config		
A4	Number: TE0720 TE0720-1CR	Rev. 02
Date: 2014-03-05	Copyright: 2013 Trenz Electronic GmbH	Page4 of 15
Filename: MIO-BANKS.SchDoc		



	Title: GigaZee - B13		
	A4	Number: TE0720 TE0720-1CR	Rev. 02
	Date: 2014-03-05	Copyright: 2013 Trenz Electronic GmbH	Page5 of 15
	Filename: B13.SchDoc		



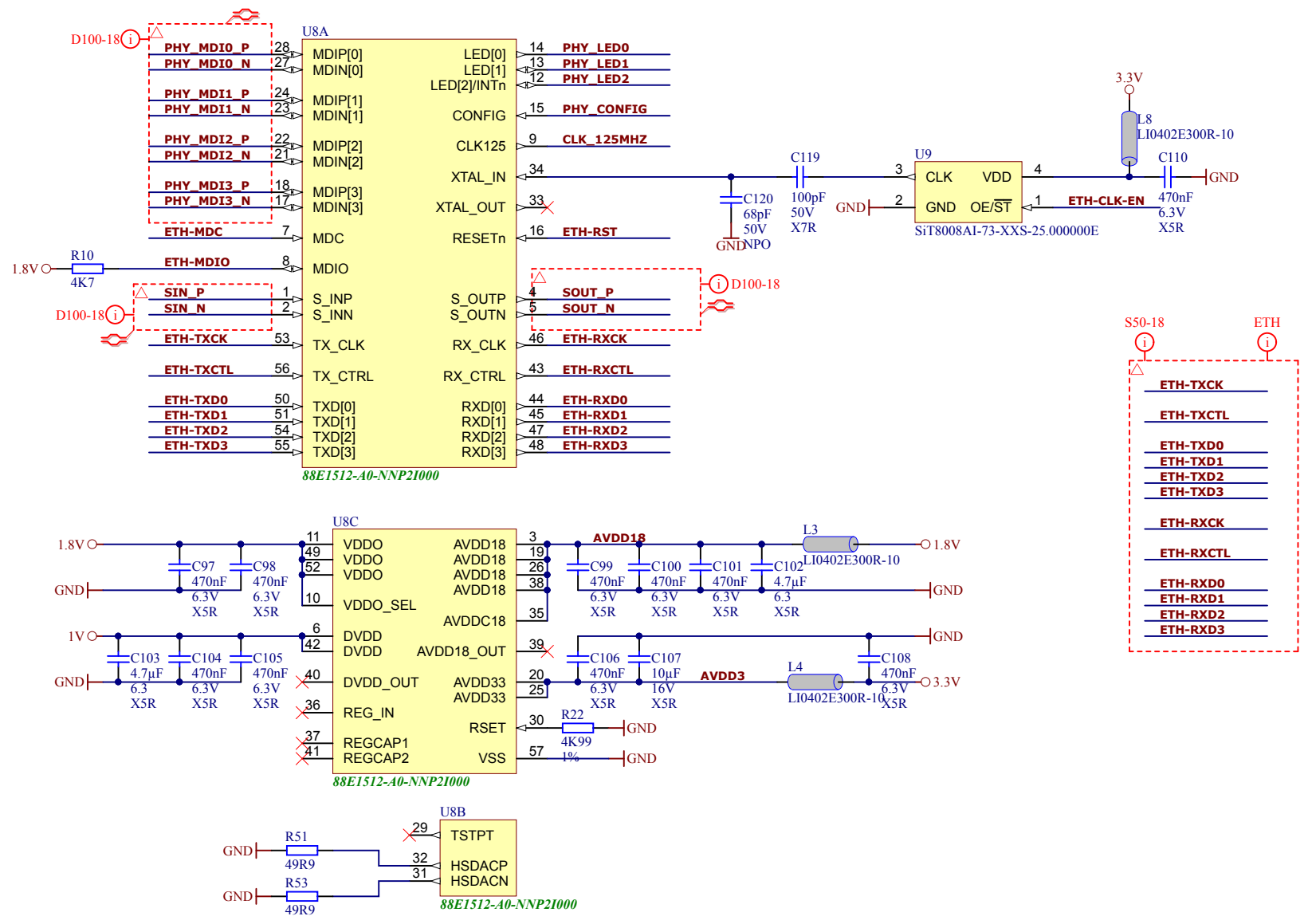
Title: GigaZee - System Controller		
A4	Number: TE0720 TE0720-1CR	Rev. 02
Date: 2014-03-05	Copyright: 2013 Trenz Electronic GmbH	Page6 of 15
Filename: SystemController.SchDoc		


A

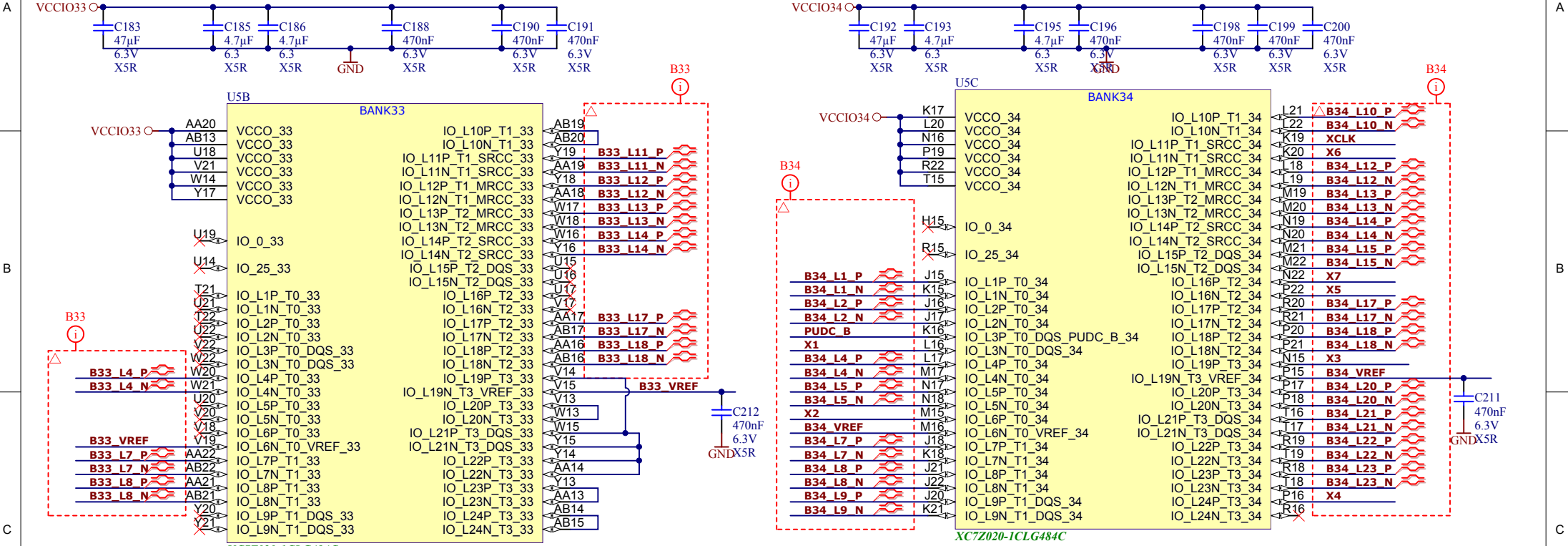
B

C

D

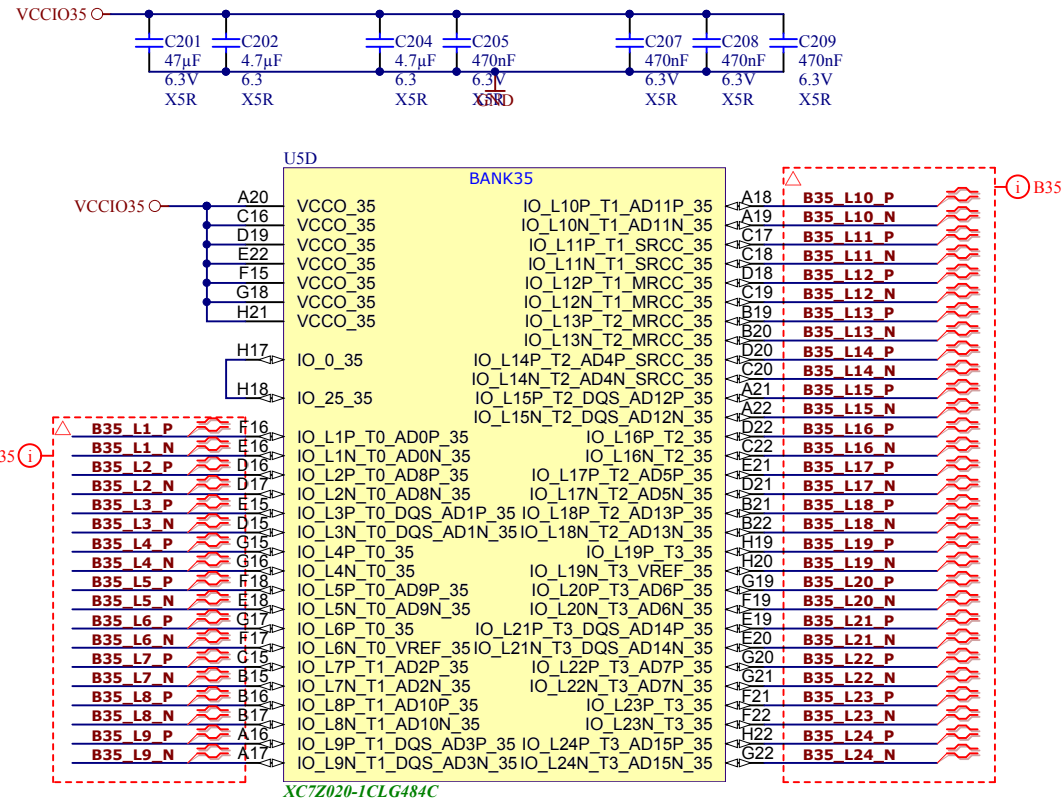


			Title: GigaZee - Ethernet	
			A4	Number: TE0720 TE0720-1CR
Date: 2014-03-05		Copyright: 2013 Trenz Electronic GmbH		Page 7 of 15
Filename: ETH-PHY.SchDoc				

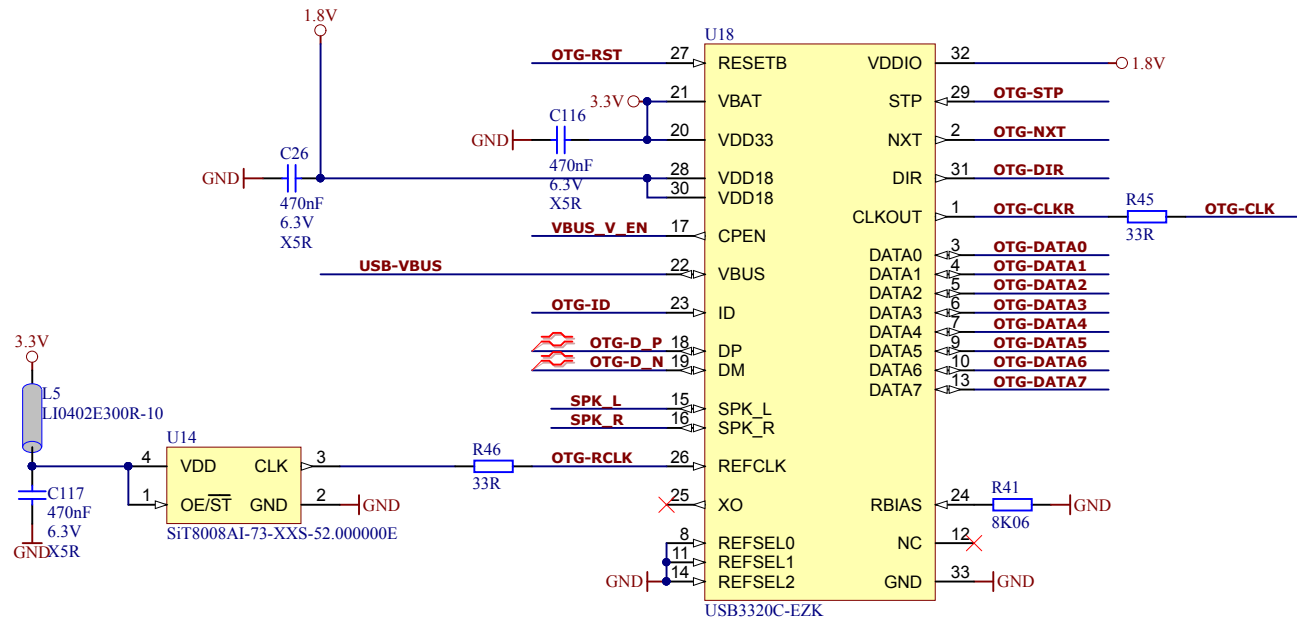



XC7Z020-1CLG484C

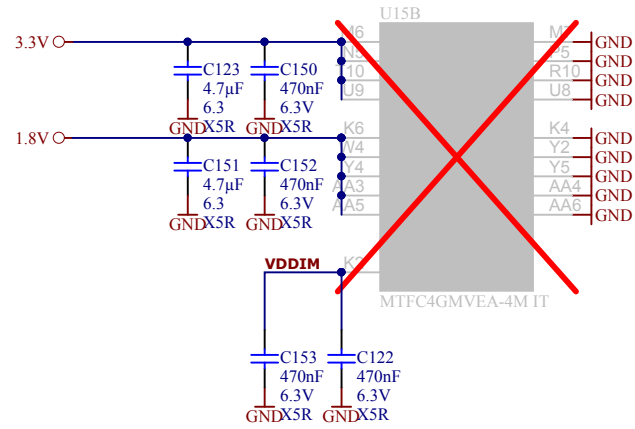
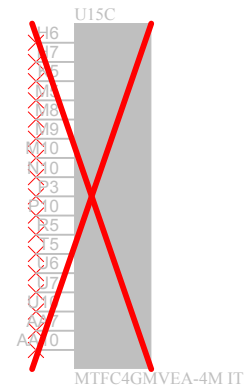
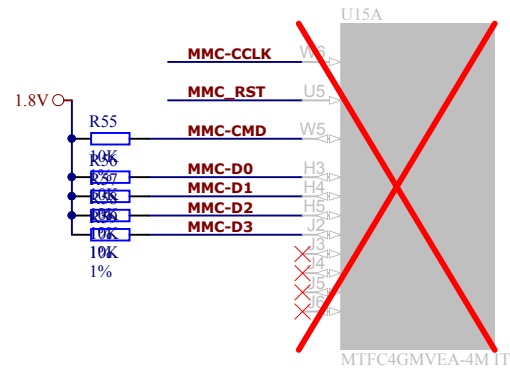
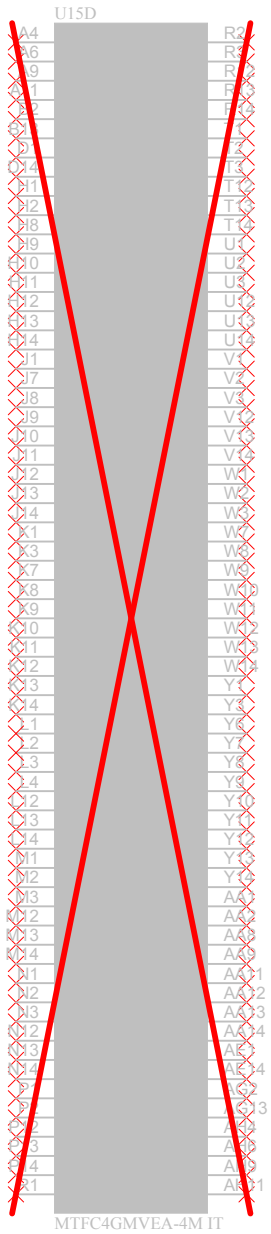
	Title: GigaZee - B33 - B34		
	A4	Number: TE0720 TE0720-1CR	Rev. 02
	Date: 2014-03-05	Copyright: 2013 Trenz Electronic GmbH	Page8 of 15
	Filename: B33-B34.SchDoc		




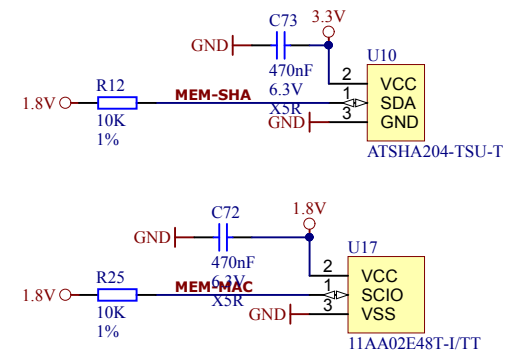
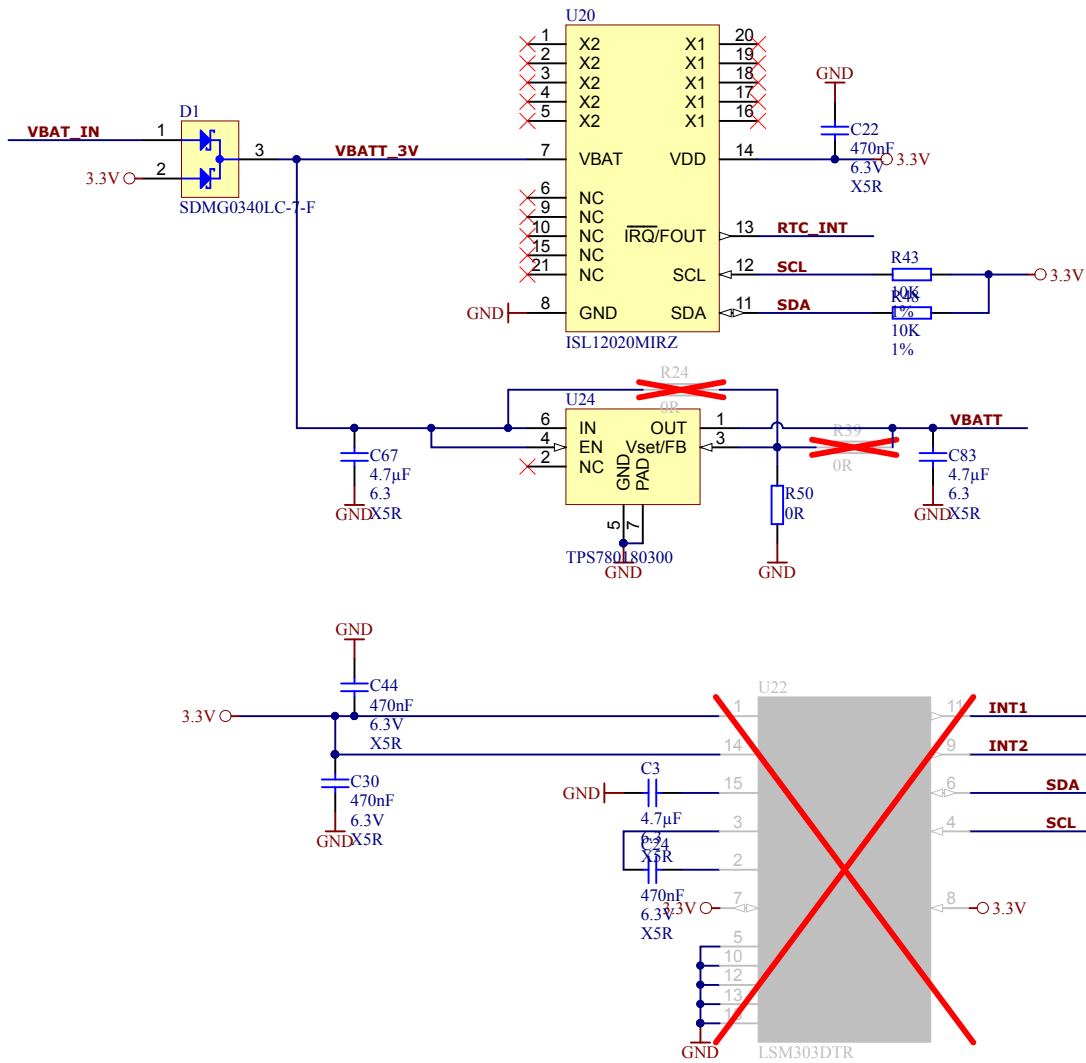
Title: GigaZee - B35		
A4	Number: TE0720 TE0720-1CR	Rev. 02
Date: 2014-03-05	Copyright: 2013 Trenz Electronic GmbH	Page9 of 15
Filename: B35.SchDoc		




			Title: GigaZee - USB	
			A4	Number: TE0720 TE0720-1CR
Date: 2014-03-05		Copyright: 2013 Trenz Electronic GmbH		Page 10 of 15
Filename: USB-PHY.SchDoc				



			Title: GigaZee - eNAND	
			A4	Number: TE0720 TE0720-1CR
Date: 2014-03-05		Copyright: 2013 Trenz Electronic GmbH		Page 11 of 15
Filename: eMMC.SchDoc				



			Title: GigaZee - RTC, MEMS, SHA, MAC	
			A4	Number: TE0720 TE0720-1CR
Date: 2014-03-05		Copyright: 2013 Trenz Electronic GmbH		Page 12 of 15
Filename: SENSOR-RTC.SchDoc				

A

B

C

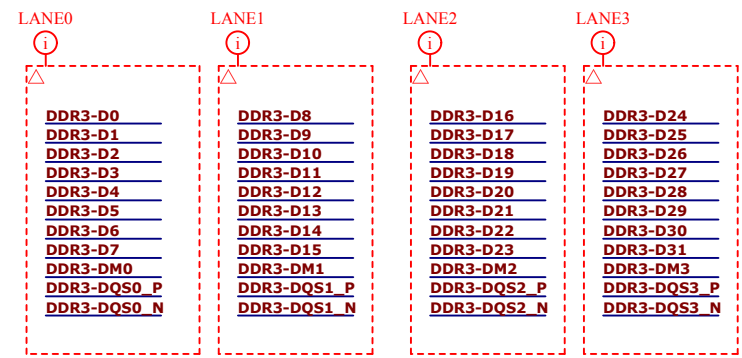
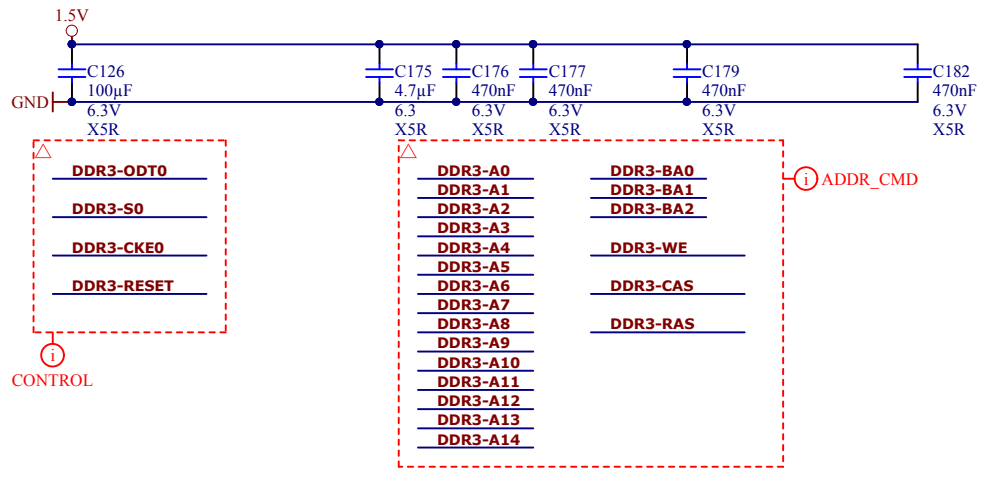
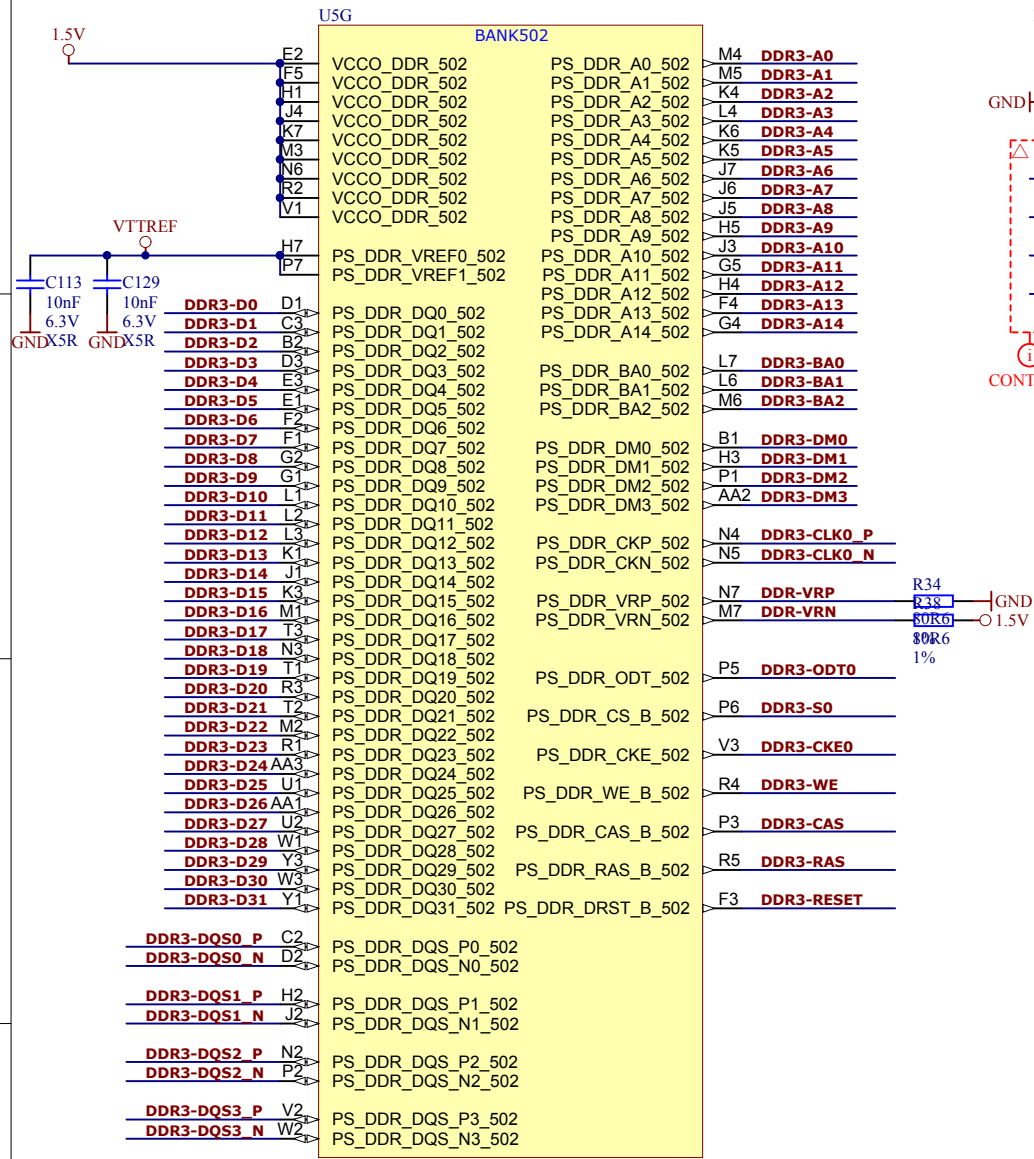
D

A

B

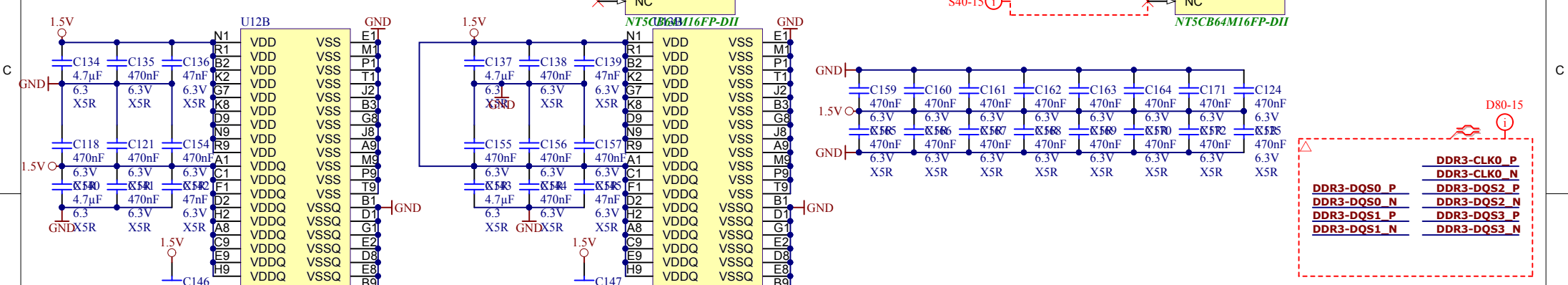
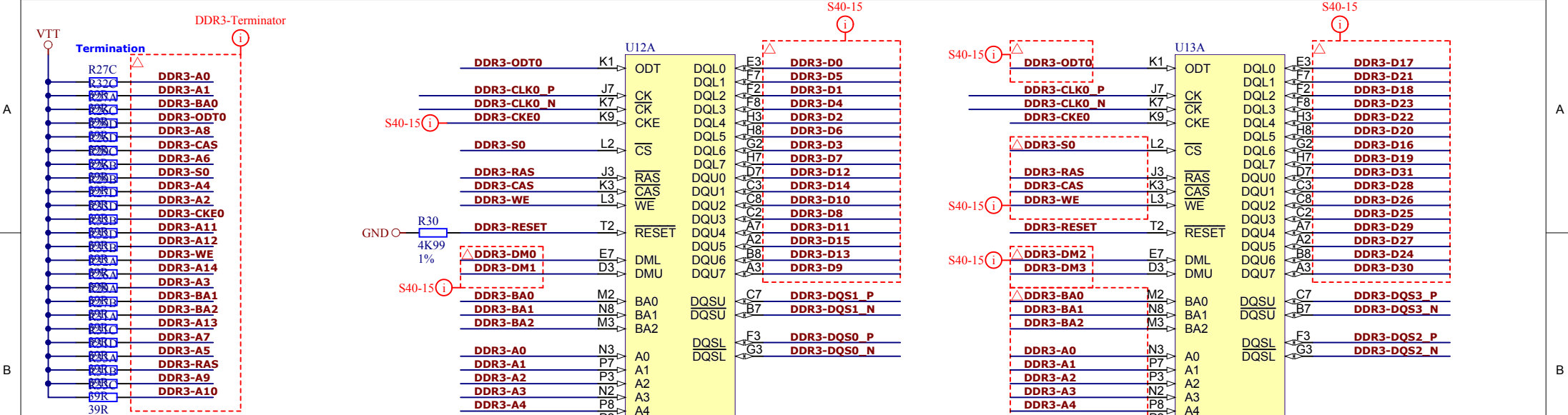
C

D



XC72020-1CLG484C

Title: GigaZee - B502		
A4	Number: TE0720 TE0720-1CR	Rev. 02
Date: 2014-03-05	Copyright: 2013 Trenz Electronic GmbH	Page13 of 15
Filename: PS-DDR.SchDoc		



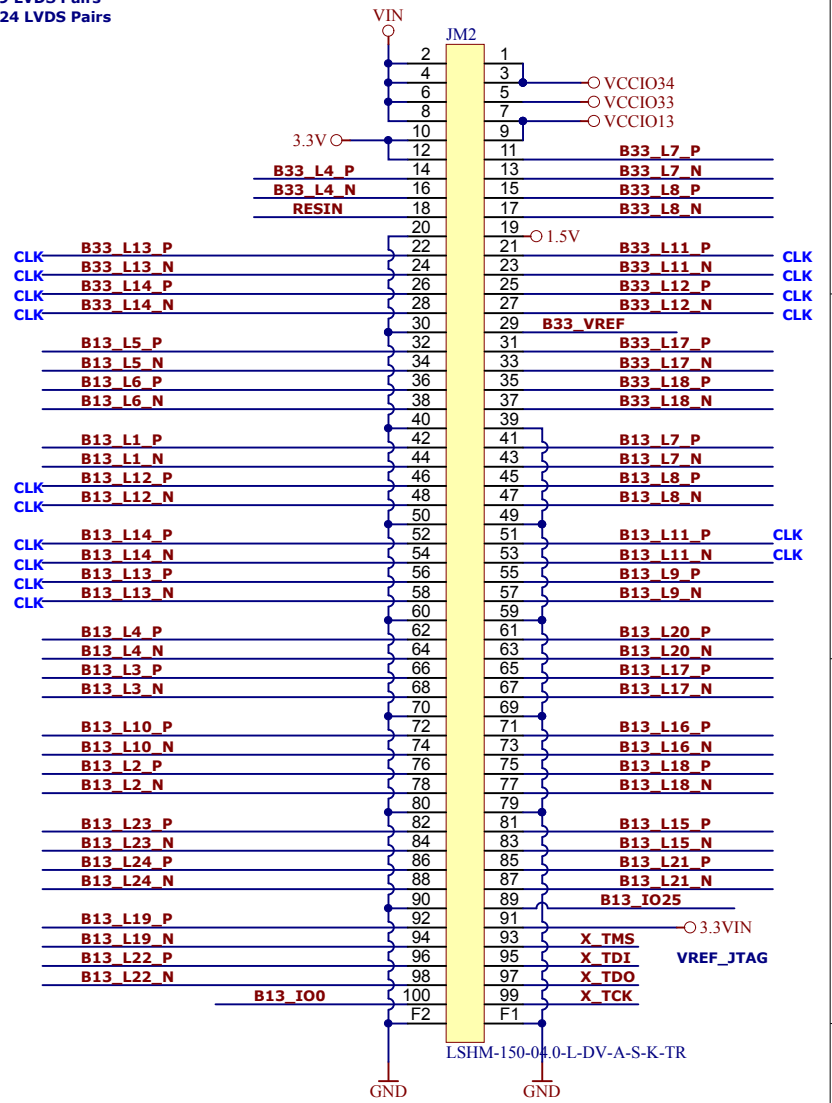
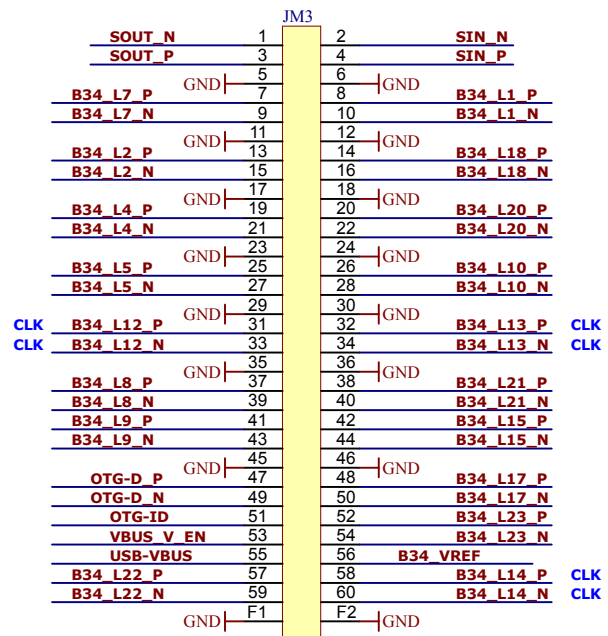
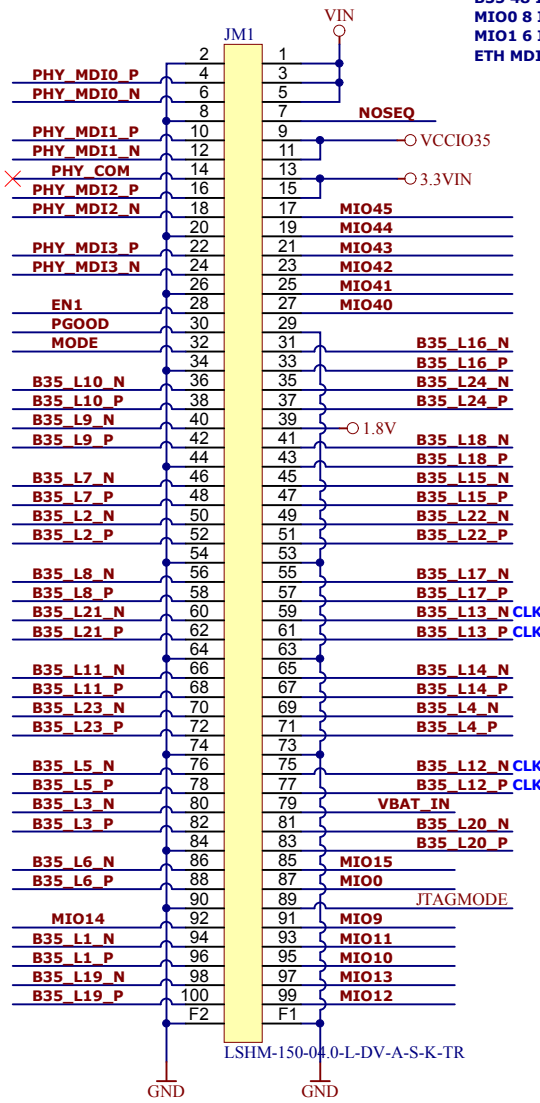
Title: **GigaZee - DDR3**

A4	Number: TE0720 TE0720-1CR	Rev. 02
Date: 2014-03-05	Copyright: 2013 Trenz Electronic GmbH	Page 14 of 15
Filename: DDR3-RAM.SchDoc		

B35 48 IO, 24 LVDS Pairs
 MIO0 8 IO, 3.3V
 MIO1 6 IO 1.8V
 ETH MDI Copper

B34 36 IO, 18 LVDS Pairs
 USB OTG
 ETH SGMII

B33 18 IO, 9 LVDS Pairs
 B13 48 IO, 24 LVDS Pairs
 B13 2 IO



A

B

C

D

A

B

C

D



Title: GigaZee - B2B Connector		
A4	Number: TE0720 TE0720-1CR	Rev. 02
Date: 2014-03-05	Copyright: 2013 Trenz Electronic GmbH	Page 15 of 15
Filename: B2B-Connectors.SchDoc		